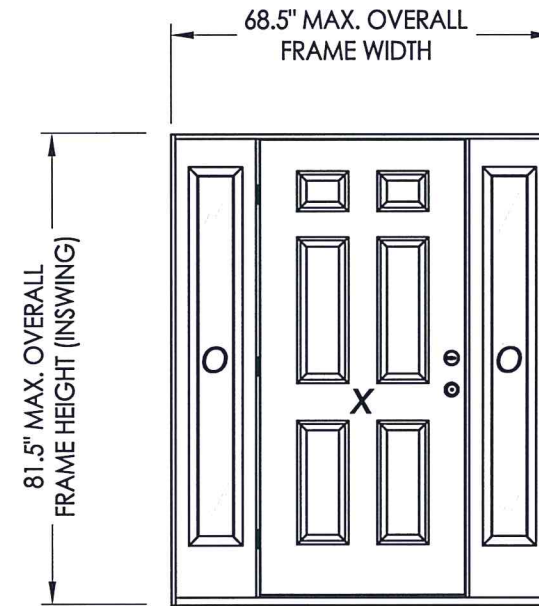
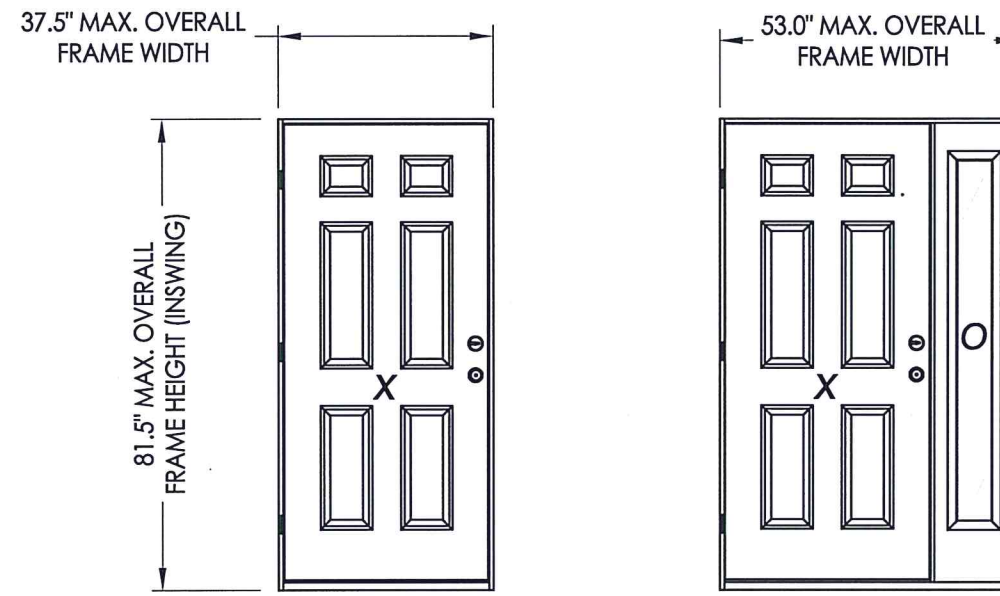




OPAQUE FIBERGLASS ENTRY DOOR SINGLES w/ or w/out SIDELITES

INSWING
"NON-IMPACT"



CONTINUOUS HEAD & SILL

EVALUATED FOR USE IN THE STATE OF TEXAS

The Fiberglass Door system described herein complies with the 2018 International Residential Code (IRC), Sections R301 & R609 and the 2018 International Building Code (IBC), Sections 1404.13, 1609, 1709.5, 2403 and 2404 subject to the following conditions:

1. Anchors shall be as listed and spaced as shown in the details. Anchor embedment to base material shall be beyond wall dressing or stucco.
2. When used in areas requiring wind-borne debris protection this product is required to be protected with an impact resistant covering that complies with Section R301.2.1.2 of the IRC and Section 1609.1.2 of the IBC.
3. Allowable design pressure requirements must be equal to or less than the design pressure rating shown in the design pressure chart, sheet 1 of this drawing.
4. Conditions not covered by this drawing are subject to further engineering analysis.



Documents Prepared By: Lyndon F. Schmidt, P.E.
TEXAS P.E. #104123

R^W BUILDING CONSULTANTS, INC.
P.O. Box 230 Valrico FL 33595
Phone No.: 813.659.9197

TEXAS BOARD OF PROFESSIONAL ENGINEERS
CERTIFICATE OF REGISTRATION # F-11852

PRODUCT: DOORSCAPES FIBERGLASS DOOR

PART OR ASSEMBLY: TYPICAL ELEVATION, DESIGN PRESSURES & GENERAL NOTES

NO.	DATE	REVISIONS
1	10/28/21	UPDATE TO 2018 IBC/IRC CODE
		LFS
		BY

DATE: 5/06/19

SCALE: N.T.S.

DWG. BY: MT

CHK. BY: LFS

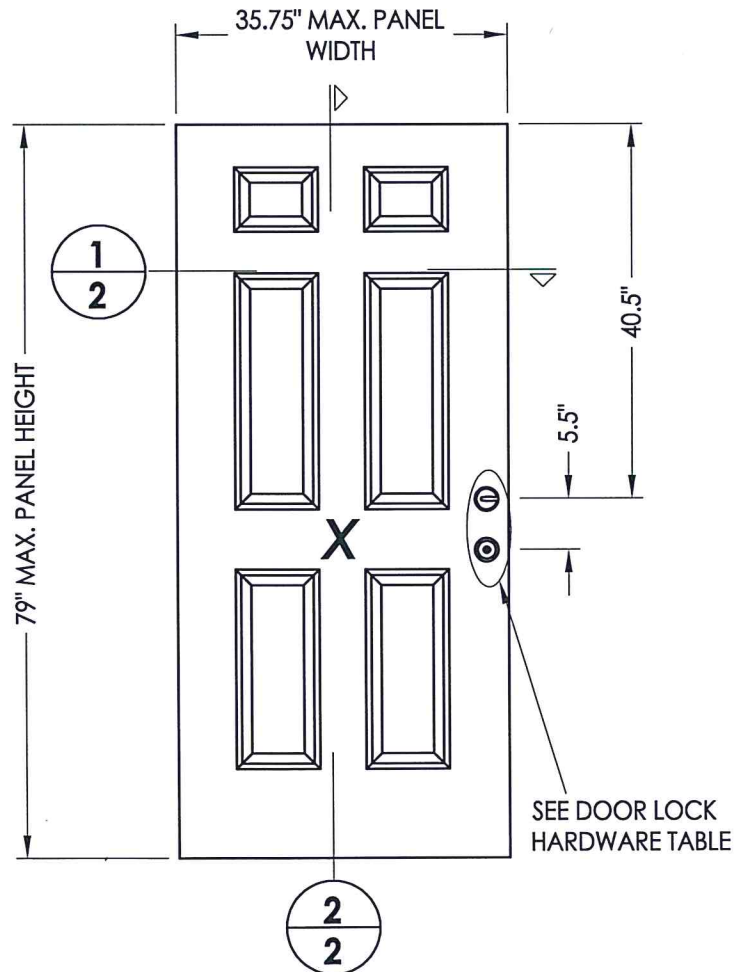
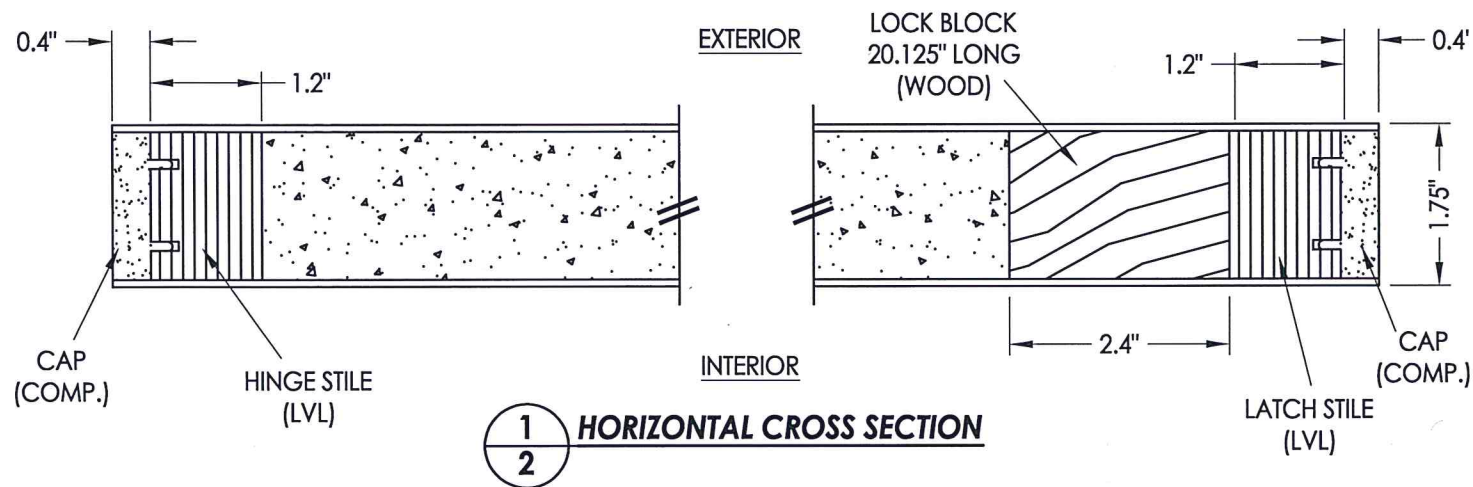
DRAWING NO.: TX-4926

SHEET 1 OF 9

TABLE OF CONTENTS	
SHEET #	DESCRIPTION
1	Typical Elevations, Design Pressures & General Notes
2	Door Panel Details
3	Sidelite Panel & Glazing Details
4	Elevations
5	Horizontal & Vertical Cross Sections
6	Horizontal Cross Sections
7	Vertical Cross Sections
8	Frame Anchoring & Hardware Details
9	Bill of Materials & Components

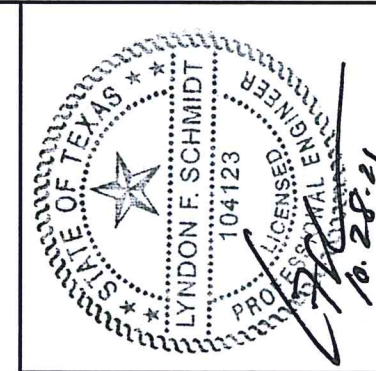
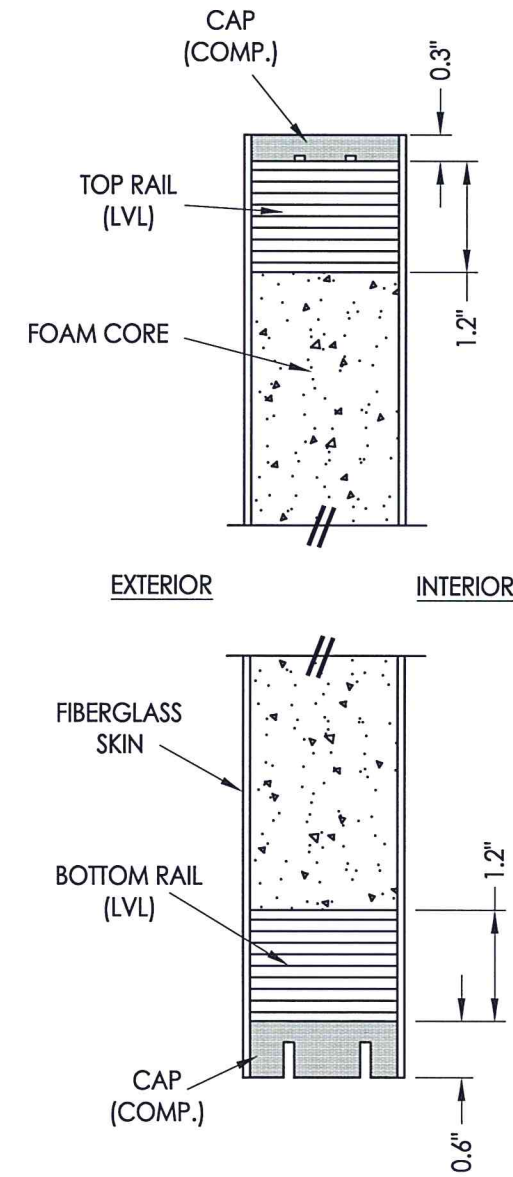
CONFIGURATION	MAX. FRAME DIMENSION	INTEGRAL MULLION WIDTH	DESIGN PRESSURE (PSF) INSWING	
			POSITIVE	NEGATIVE
X	37.5" x 81.5"	N/A	+50.0	-55.0
OX/XO	52.125" x 81.5"	1.625"	+40.0	-50.0
	53.0" x 81.5"	2.5"	+45.0	-50.0
OXO	66.75" x 81.5"	1.625"	+40.0	-50.0
	68.5" x 81.5"	2.5"	+45.0	-50.0

Z:\Clients\Doorscapes\B - Texas Dept of Ins\TDI - DR-1067 Fiberglass Non-Impact\C - Drawings\TX-4926-27.dwg



FIBERGLASS SKIN: 0.075" MIN. THK.
FOAM CORE: POLYURETHANE -1.9 PCF MIN.

HARDWARE TABLE	
MANUFACTURER	MODEL
YALE	KNOB: YE SERIES (10) DEADBOLT: YE SERIES (82E)



Documents Prepared By: Lyndon F. Schmidt, P.E.
TEXAS P.E. #104123

RW BUILDING CONSULTANTS, INC.
P.O. Box 230 Valrico FL 33595
Phone No.: 813.659.9197

TEXAS BOARD OF PROFESSIONAL ENGINEERS
CERTIFICATE OF REGISTRATION # F-11852

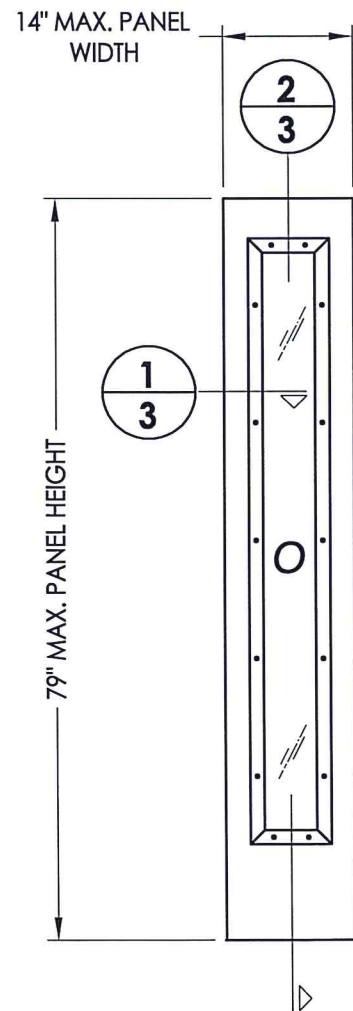
PRODUCT: DOORSCAPES FIBERGLASS DOOR

PART OR ASSEMBLY: DOOR PANEL DETAILS

NO.	DATE	REVISIONS
1	10/28/21	UPDATE TO 2018 IBC/IRC CODE
LFS		
BY		

DATE: 5/06/19
SCALE: N.T.S.
DWG. BY: MT
CHK. BY: LFS
DRAWING NO.: TX-4926
SHEET 2 OF 9

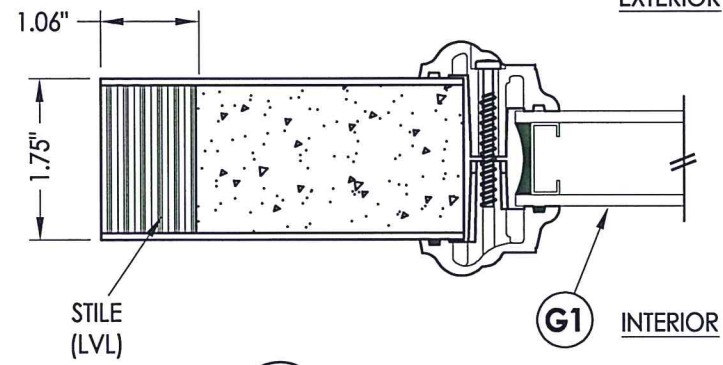
Z:\Clients\Doorscapes\B - Texas Dept of Ins\TDI - DR-1067 Fiberglass Non-Impact\C - Drawings\TX-4926-27.dwg



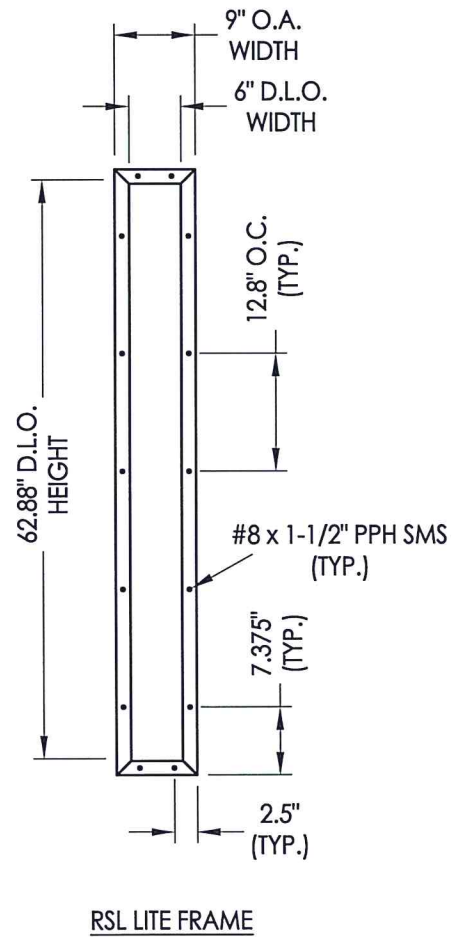
50 SIDELITE PANEL
Doorscapes

14" MAX. PANEL WIDTH

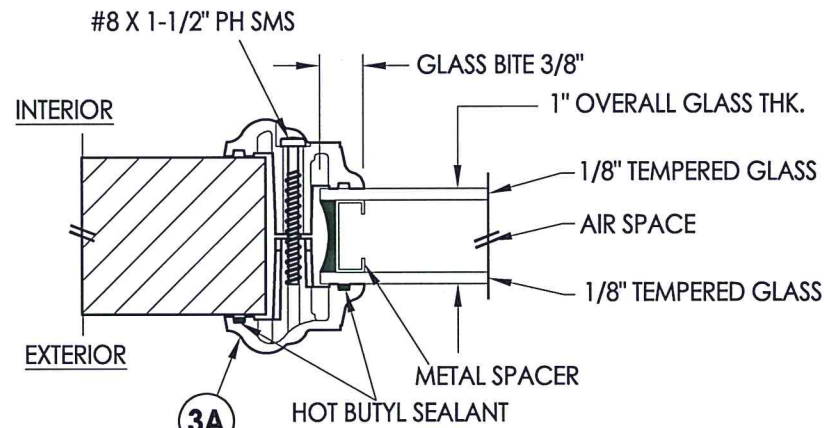
79" MAX. PANEL HEIGHT



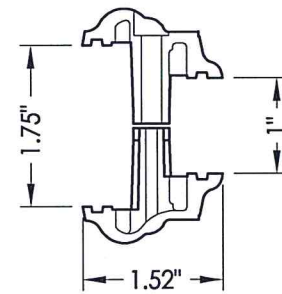
1 HORIZONTAL CROSS SECTION



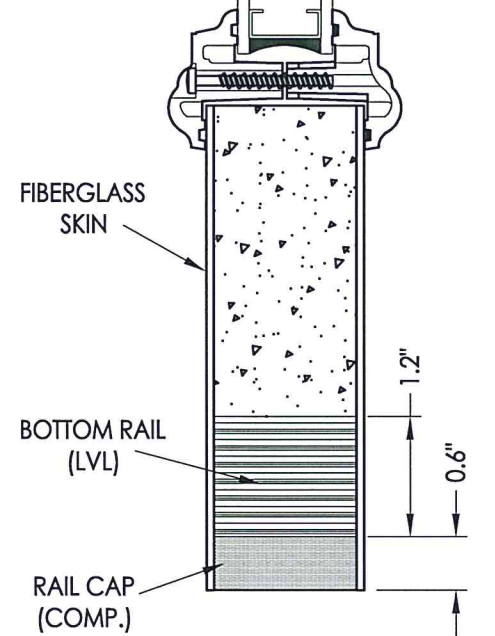
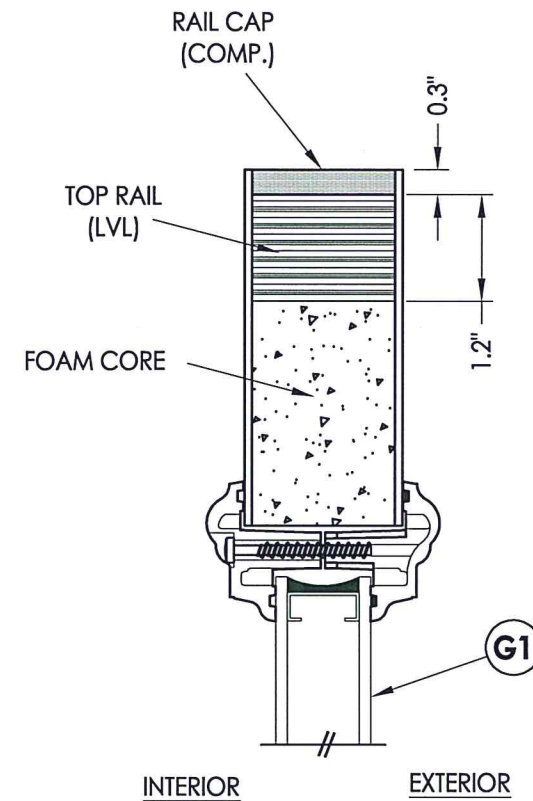
RSL LITE FRAME



G1 GLAZING DETAIL
RSL LITE FRAME



3A RSL LITE FRAME
PVC



2 VERTICAL CROSS SECTION

FIBERGLASS SKIN: 0.075" MIN. THK.
FOAM CORE: POLYURETHANE -1.9 PCF MIN.



Documents Prepared By: Lyndon F. Schmidt, P.E.
TEXAS P.E. #104123

RW BUILDING CONSULTANTS, INC.
P.O. Box 230 Volrico FL, 33595
Phone No.: 813.659.9197

TEXAS BOARD OF PROFESSIONAL ENGINEERS
CERTIFICATE OF REGISTRATION # F-11852

PRODUCT: DOORSCAPES
FIBERGLASS DOOR

PART OR ASSEMBLY:
SIDELITE PANEL
& GLAZING DETAILS

NO.	DATE	REVISIONS	LFS	BY
1	10/28/21	UPDATE TO 2018 IBC/IRC CODE	LFS	BY

DATE: 5/06/19

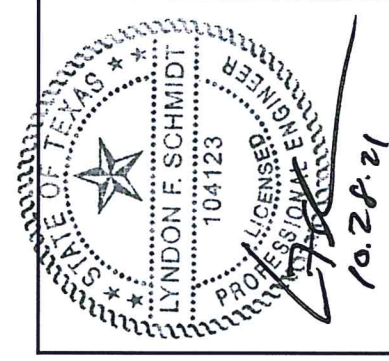
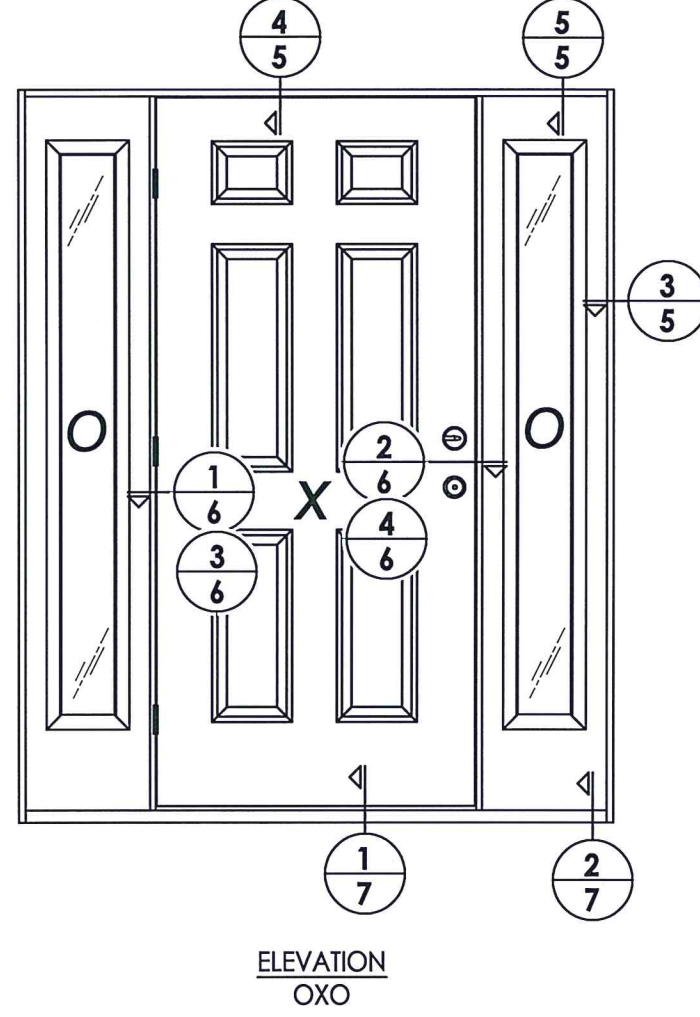
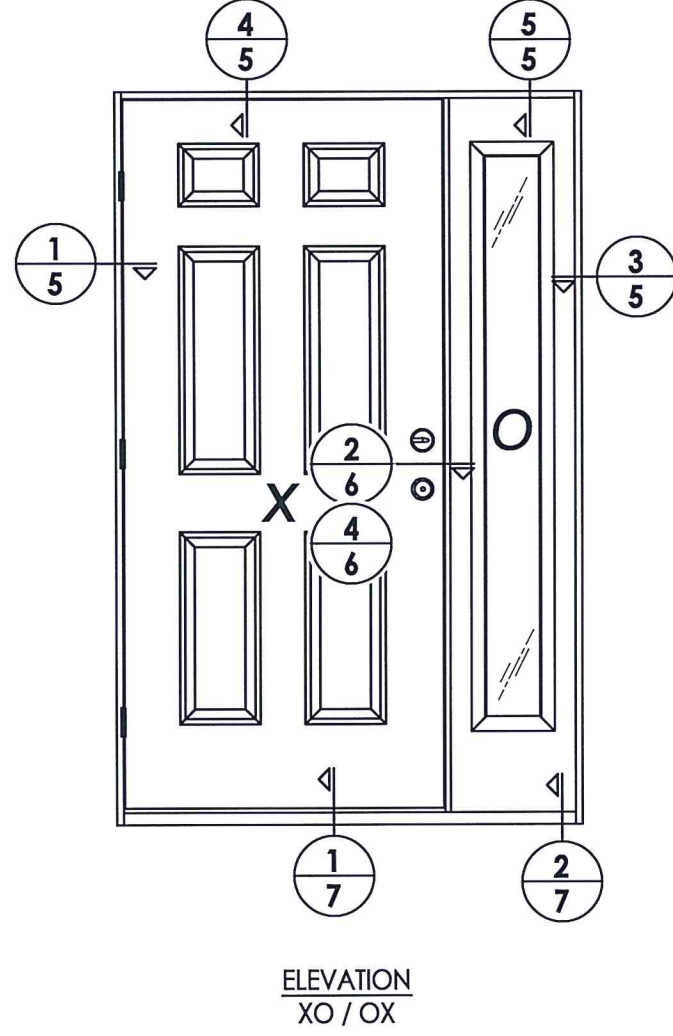
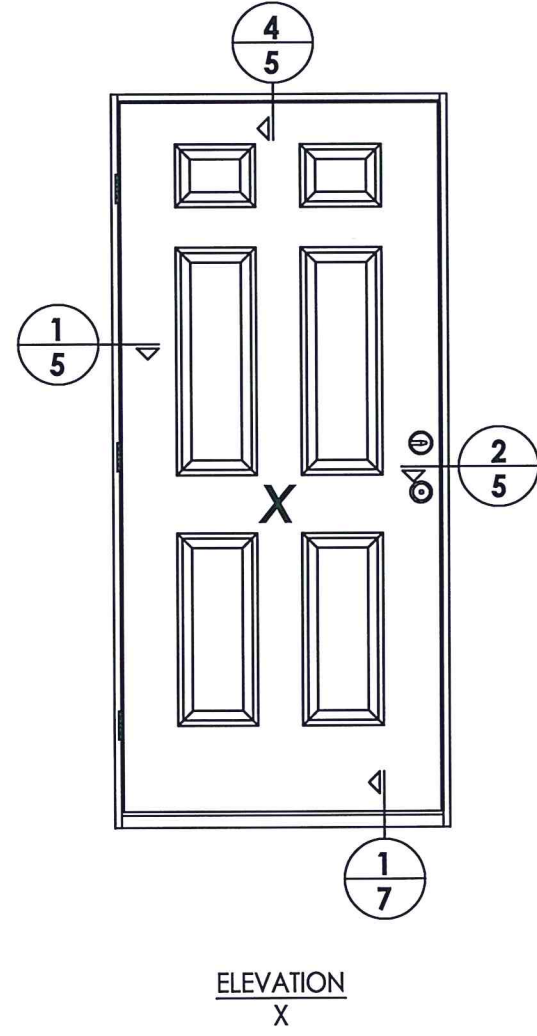
SCALE: N.T.S.

DWG. BY: MT

CHK. BY: LFS

DRAWING NO.: TX-4926

SHEET 3 OF 9

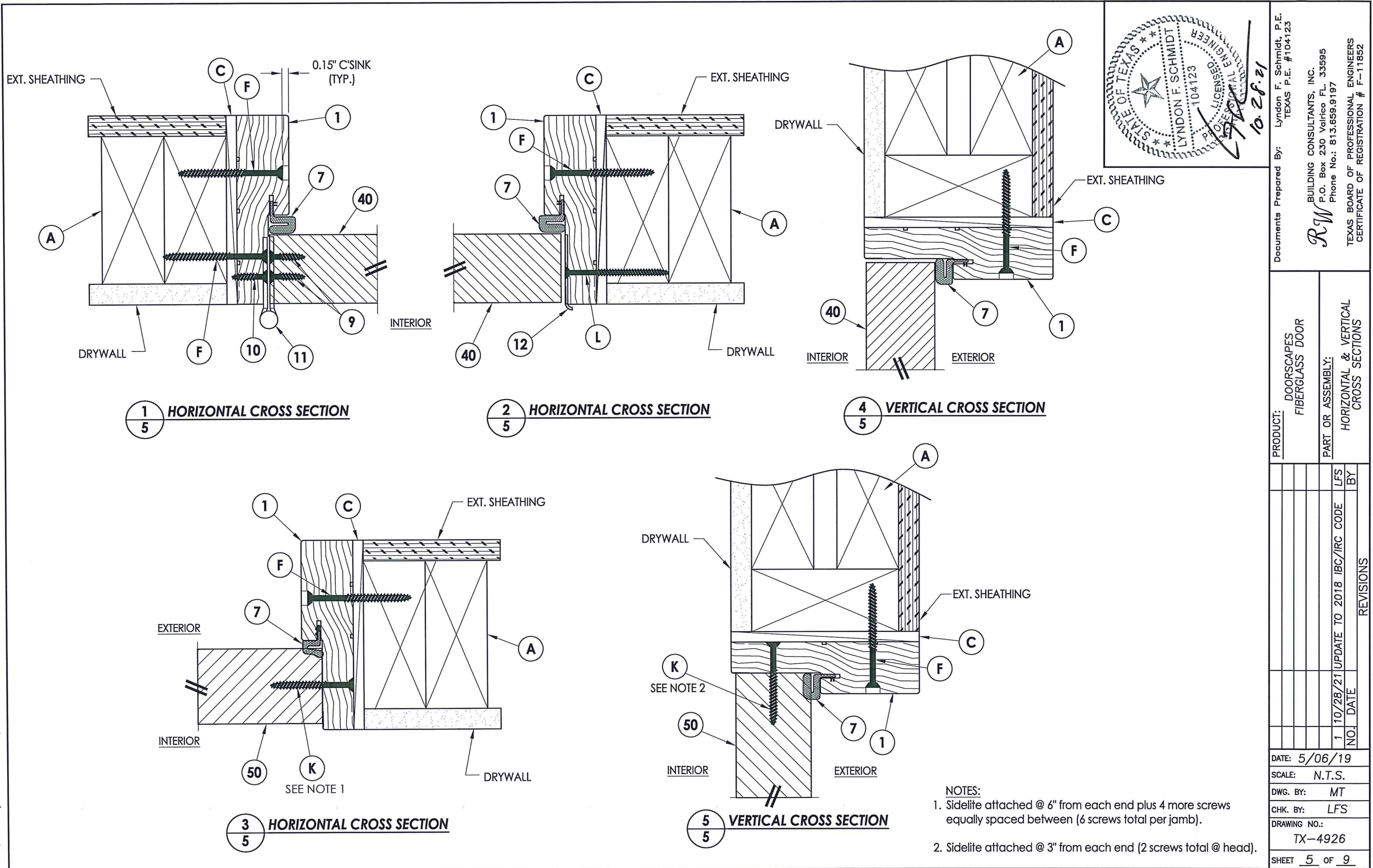


Documents Prepared By: Lyndon F. Schmidt, P.E.
TEXAS P.E. #104123

RW BUILDING CONSULTANTS, INC.
P.O. Box 230 Valrico FL 33595
Phone No.: 813.659.9197

TEXAS BOARD OF PROFESSIONAL ENGINEERS
CERTIFICATE OF REGISTRATION # F-11852

PRODUCT: DOORSCAPES FIBERGLASS DOOR	
PART OR ASSEMBLY: ELEVATIONS	
NO.	DATE
1	10/28/21
UPDATE TO 2018 IBC/IRC CODE	
LFS	BY
REVISIONS	
DATE: 5/06/19	
SCALE: N.T.S.	
DWG. BY: MT	
CHK. BY: LFS	
DRAWING NO.: TX-4926	
SHEET 4 OF 9	



Documents Prepared By: Lyndon F. Schmidt, P.E.
TEXAS P.E. #104123

RW BUILDING CONSULTANTS, INC.
P.O. Box 230 Valrico FL, 33595
Phone No.: 813.659.9197

TEXAS BOARD OF PROFESSIONAL ENGINEERS
CERTIFICATE OF REGISTRATION # F-11852

PRODUCT: DOORSCAPES FIBERGLASS DOOR

PART OR ASSEMBLY: HORIZONTAL & VERTICAL CROSS SECTIONS

NO.	DATE	BY
1	10/28/21	LFS

DATE: 5/06/19

SCALE: N.T.S.

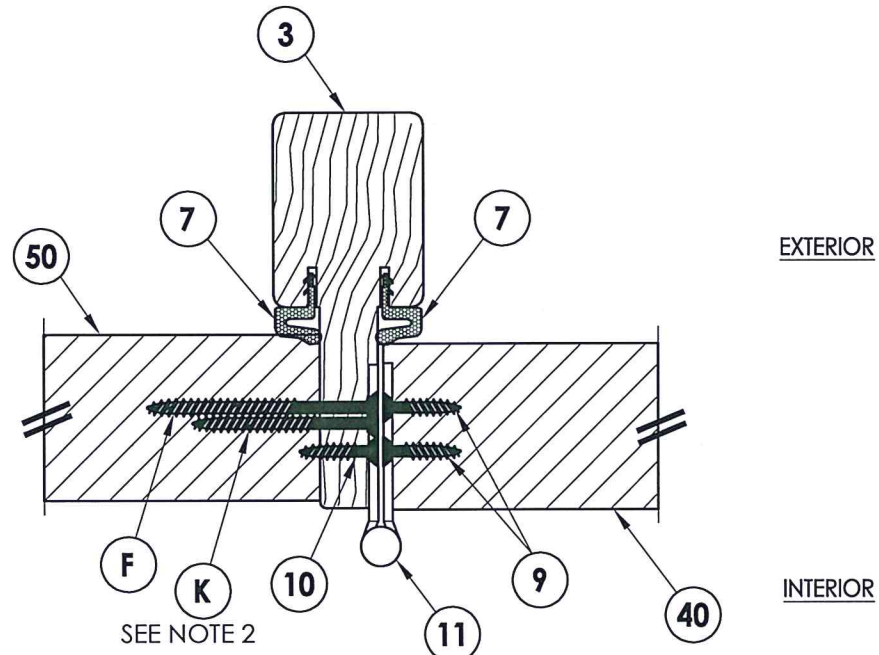
DWG. BY: MT

CHK. BY: LFS

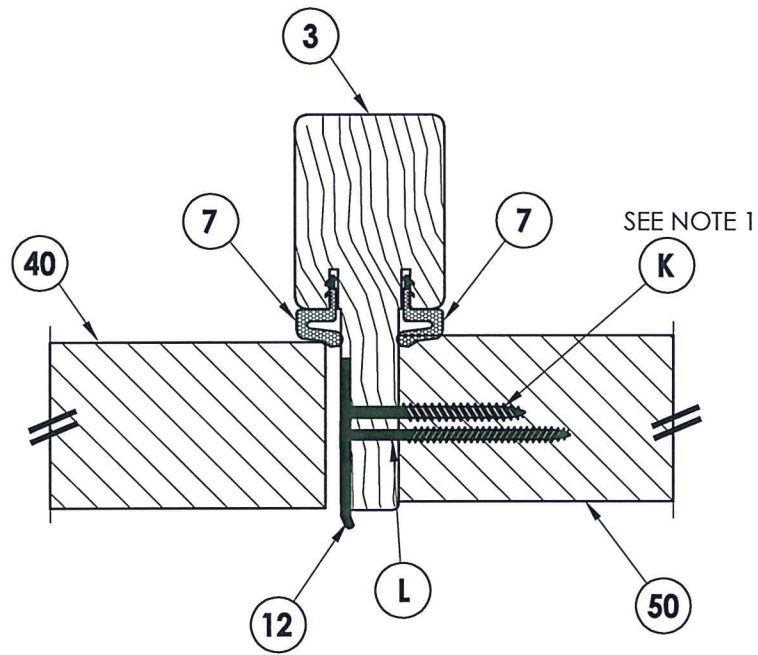
DRAWING NO.: TX-4926

SHEET 5 OF 9

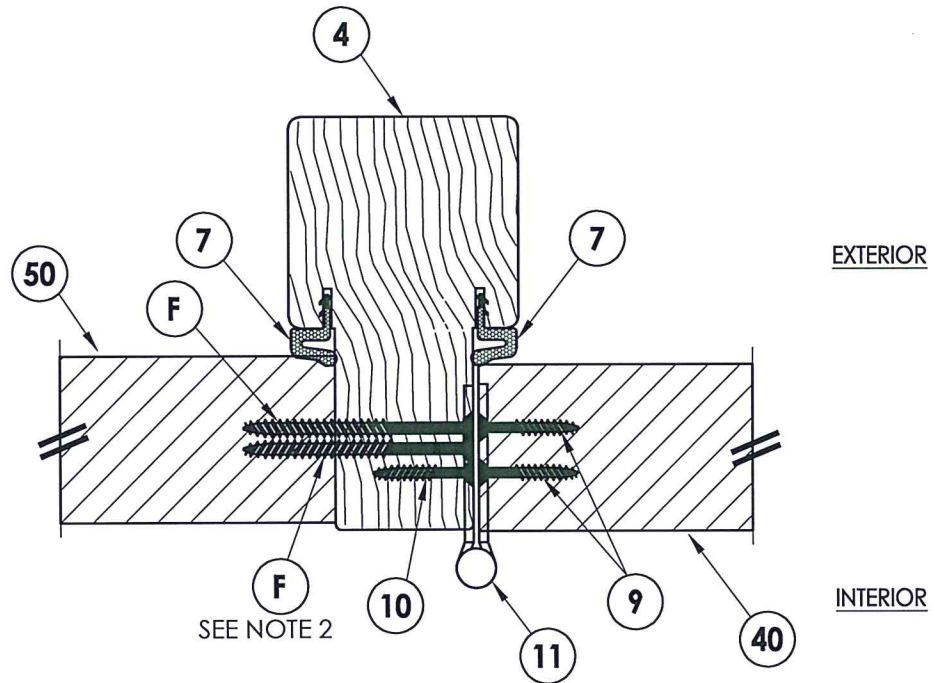
- NOTES:
- Sidelite attached @ 6" from each end plus 4 more screws equally spaced between (6 screws total per jamb).
 - Sidelite attached @ 3" from each end (2 screws total @ head).



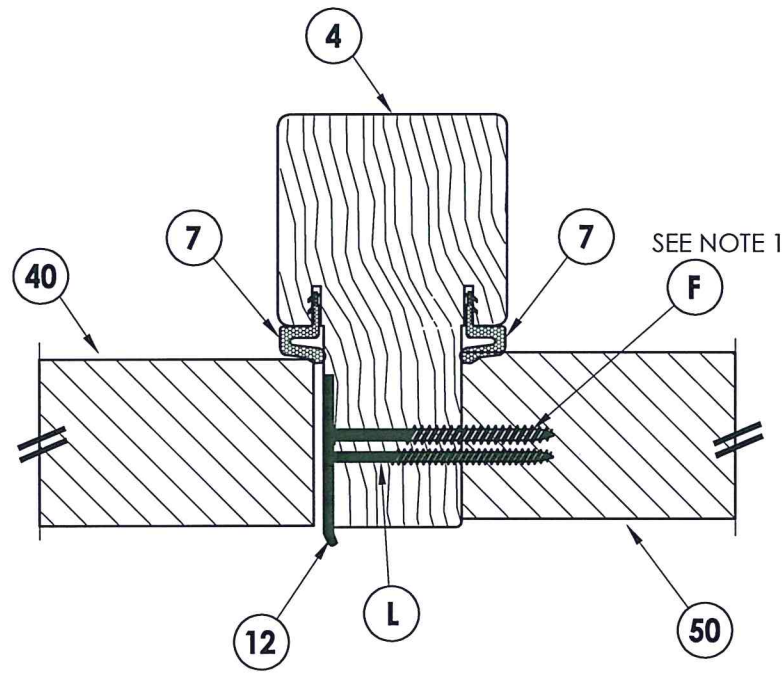
1 **HORIZONTAL CROSS SECTION**
6 Shown w/ 1.625" Wide Mullion



2 **HORIZONTAL CROSS SECTION**
6 Shown w/ 1.625" Wide Mullion



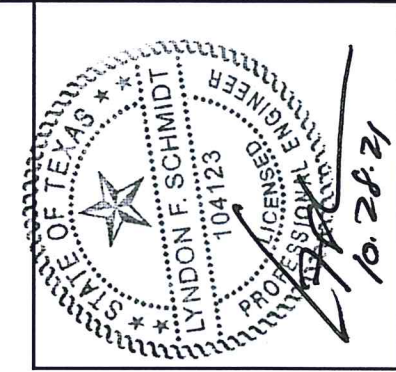
3 **HORIZONTAL CROSS SECTION**
6 Shown w/ 2.5" Wide Mullion



4 **HORIZONTAL CROSS SECTION**
6 Shown w/ 2.5" Wide Mullion

NOTES:

- Sidelite attached @ 6" from each end plus 4 more screws equally spaced between (6 screws total per jamb).
- Sidelite attached w/ 1 screw equally spaced between each hinge (2 screws total per mullion).



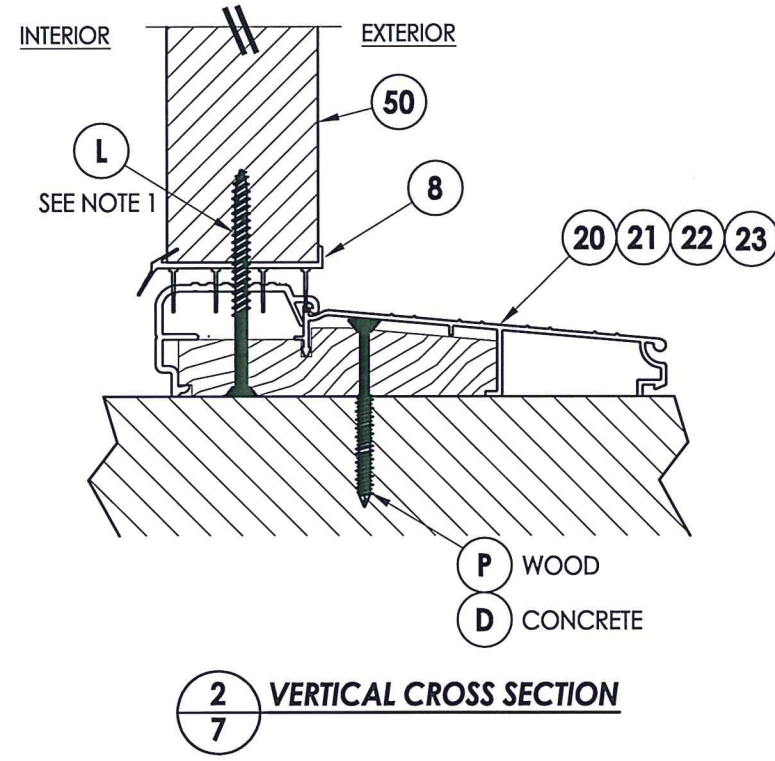
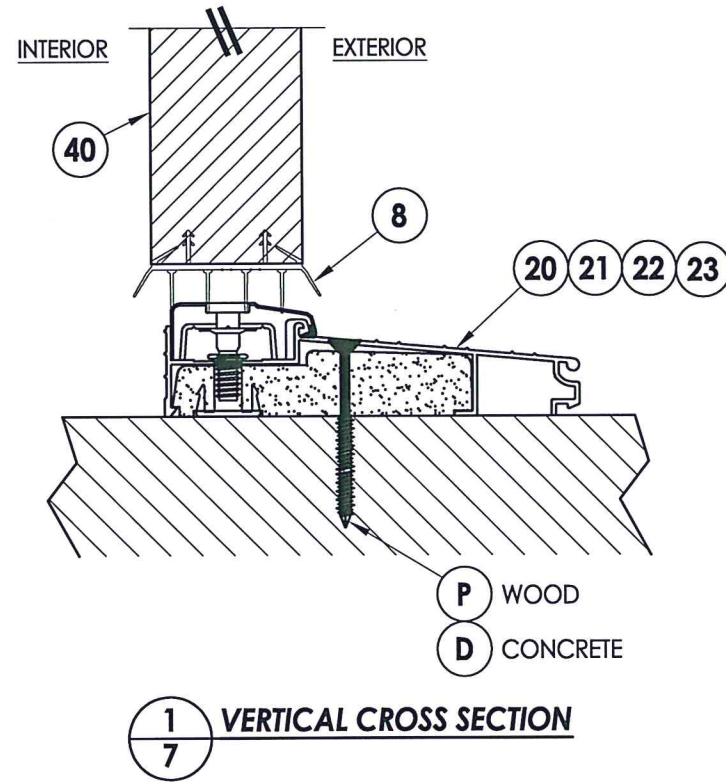
Documents Prepared By: Lyndon F. Schmidt, P.E.
 TEXAS P.E. #104123

RW BUILDING CONSULTANTS, INC.
 P.O. Box 230 Vairico FL 33595
 Phone No.: 813.659.9197
 TEXAS BOARD OF PROFESSIONAL ENGINEERS
 CERTIFICATE OF REGISTRATION # F-11852

PRODUCT: DOORSCAPES
 FIBERGLASS DOOR
 PART OR ASSEMBLY:
 HORIZONTAL CROSS
 SECTIONS

NO.	DATE	REVISIONS
1	10/28/21	UPDATE TO 2018 IBC/IRC CODE
		LFS
		BY

DATE: 5/06/19
 SCALE: N.T.S.
 DWG. BY: MT
 CHK. BY: LFS
 DRAWING NO.: TX-4926
 SHEET 6 OF 9



NOTE:
1. Sidelite attached @ 3" from each end (2 screws total @ sill).



Documents Prepared By: Lyndon F. Schmidt, P.E.
TEXAS P.E. #104123

RW BUILDING CONSULTANTS, INC.
P.O. Box 230 Valrico FL 33595
Phone No.: 813.659.9197

TEXAS BOARD OF PROFESSIONAL ENGINEERS
CERTIFICATE OF REGISTRATION # F-11852

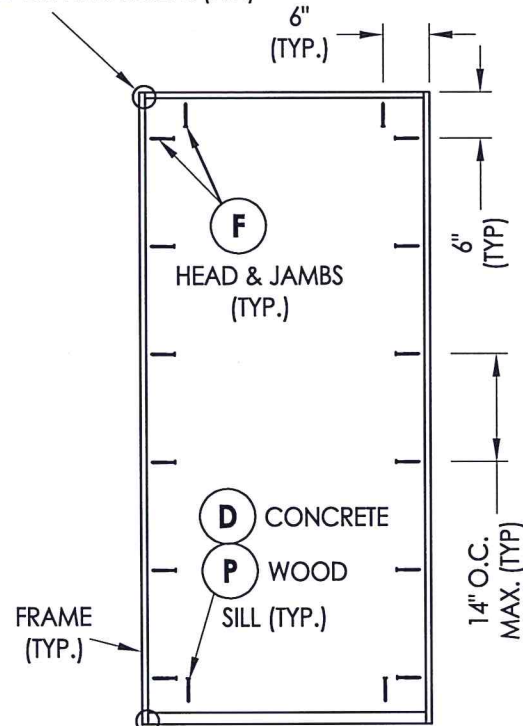
PRODUCT: DOORSCAPES
FIBERGLASS DOOR

PART OR ASSEMBLY:
VERTICAL CROSS
SECTIONS

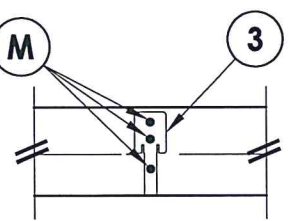
REVISIONS	
NO.	DATE
1	10/28/21
	UPDATE TO 2018 IBC/IRC CODE
	LFS
	BY

DATE: 5/06/19
SCALE: N.T.S.
DWG. BY: MT
CHK. BY: LFS
DRAWING NO.: TX-4926
SHEET 7 OF 9

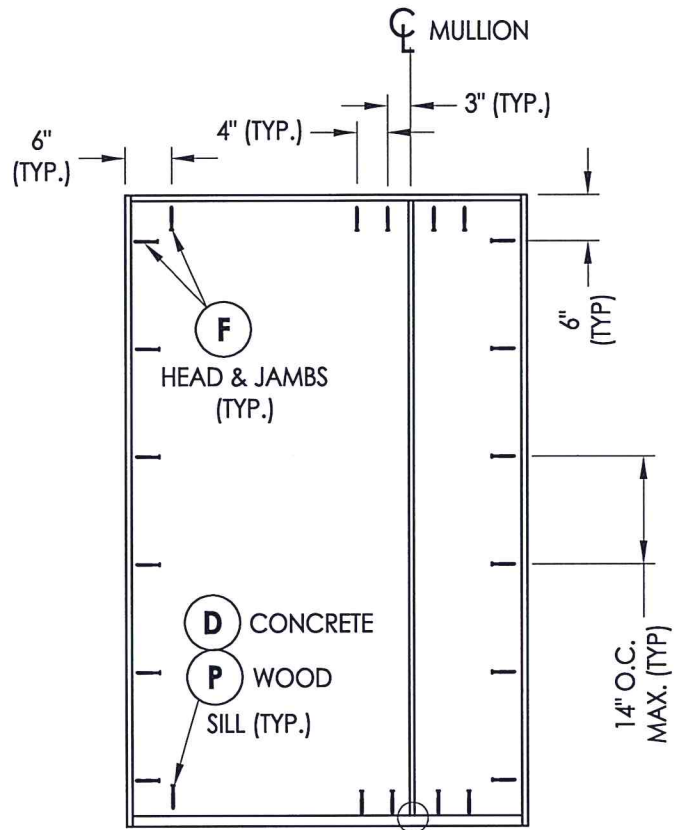
THE HEAD IS ATTACHED TO THE JAMB
w/ (4) #7 X 2" DRYWALL SCREWS (TYP.)



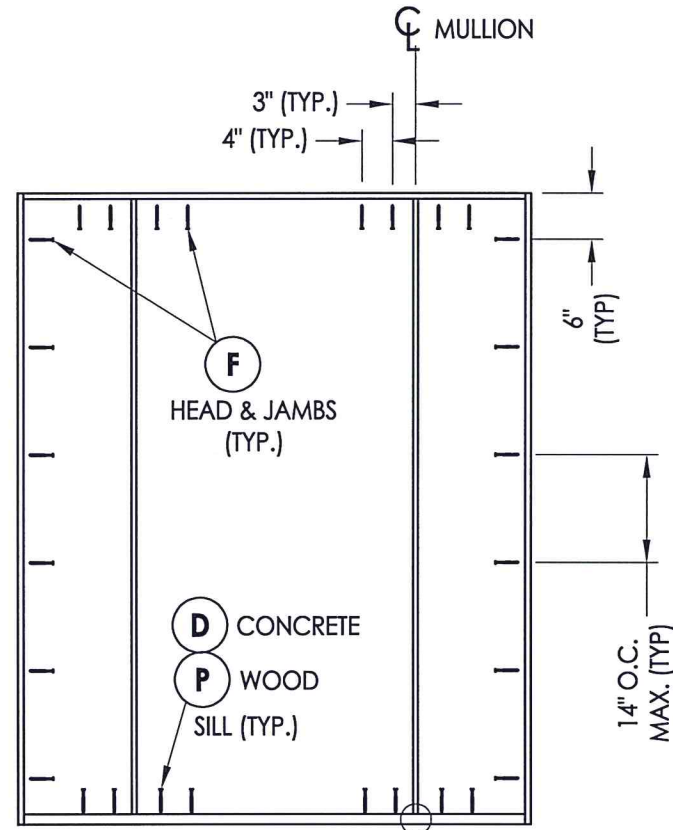
THE THRESHOLD IS ATTACHED TO THE JAMB
w/ (4) 7/16" X 2" STEEL CROWN STAPLES (TYP.)



MULLION END DETAIL
(TYP. @ HEAD & SILL)

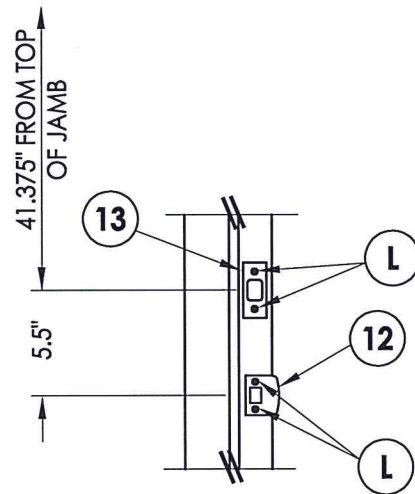


XO/OX SEE MULLION END DETAIL (TYP.)

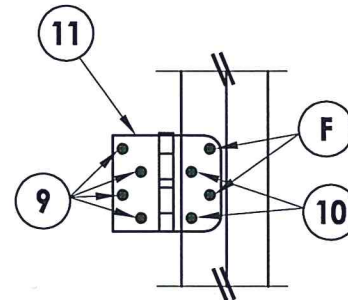


OXO SEE MULLION END DETAIL (TYP.)

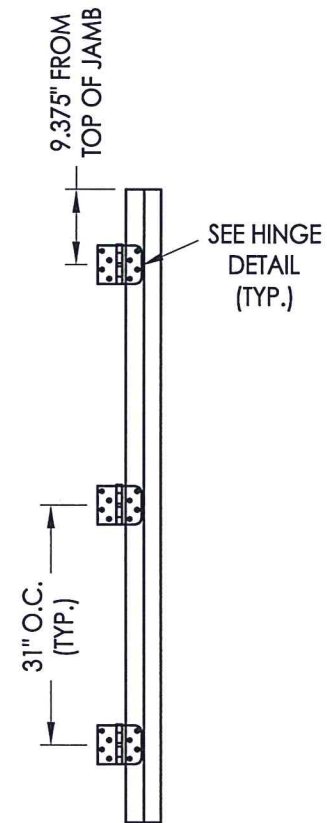
FRAME ANCHORING



LATCH & DEADBOLT STRIKE DETAILS



HINGE DETAIL



HINGE JAMB



Documents Prepared By: Lyndon F. Schmidt, P.E.
TEXAS P.E. #104123

RW BUILDING CONSULTANTS, INC.
P.O. Box 230 Valrico FL, 33595
Phone No.: 813.659.9197

TEXAS BOARD OF PROFESSIONAL ENGINEERS
CERTIFICATE OF REGISTRATION # F-11852

PRODUCT:	DOORSCAPES FIBERGLASS DOOR
PART OR ASSEMBLY:	FRAME ANCHORING & HARDWARE DETAILS

NO.	DATE	BY	REVISIONS
1	10/28/21	LFS	UPDATE TO 2018 IBC/IRC CODE

DATE:	5/06/19
SCALE:	N.T.S.
DWG. BY:	MT
CHK. BY:	LFS
DRAWING NO.:	TX-4926
SHEET	8 OF 9

Z:\Clients\Doorscapes\B - Texas Dept of Ins\TDI - DR-1067 Fiberglass Non-Impact\C - Drawings\TX-4926-27.dwg

BILL OF MATERIALS		
ITEM #	DESCRIPTION	MATERIAL
A	2X FRAMING (G >= 0.42)	WOOD
C	1/4" MAX. SHIM SPACE	-
D	1/4" Ø PFH DeWALT OR ITW CONCRETE SCREW (1-3/4" MIN. EMBEDMENT)	STEEL
F	#10 X 2-1/2" PFH WOOD SCREW (1.15" MIN. EMBEDMENT)	STEEL
K	#10 X 2" PFH WOOD SCREW	STEEL
L	#8 X 2-1/2" PFH WOOD SCREW	STEEL
M	#7 X 2-1/2" DRYWALL SCREW	STEEL
P	#10 PFH WOOD SCREW (1-1/2" MIN. EMB.)	STEEL
1	FINGER JOINT PINE JAMB (G >= 0.42)	WOOD
3	INTEGRAL MULLION - 1.625" WIDE (PINE, G >= 0.42)	WOOD
4	INTEGRAL MULLION - 2.5" WIDE (PINE, G >= 0.42)	WOOD
7	WEATHERSTRIP	FOAM
8	DOOR/SIDELITE BOTTOM SWEEP	VINYL
9	#9 X 1" PFH WOOD SCREW	STEEL
10	#10 X 3/4" PFH WOOD SCREW	STEEL
11	4" X 4" BUTT HINGE	STEEL
12	LATCH STRIKE PLATE	STEEL
13	DEADBOLT STRIKE PLATE	STEEL
20	INSWING THRESHOLD (AFCO A-125)	ALUM/WOOD
21	INSWING THRESHOLD (AFCO A-125)	ALUM/COMP
22	INSWING THRESHOLD (AFCO A-276)	ALUM/WOOD
23	INSWING THRESHOLD (AFCO A-280)	ALUM/WOOD
40	DOOR PANEL - SEE DOOR PANEL DETAIL SHEET FOR DETAILS	-
50	SIDELITE PANEL - SEE SIDELITE PANEL DETAIL SHEET FOR DETAILS	-

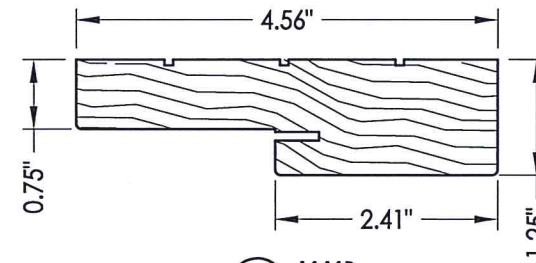
CONCRETE ANCHOR NOTES:

- Concrete anchor locations at the corners may be adjusted to maintain the min. edge distance to mortar joints.
- Concrete anchor locations noted as "MAX. ON CENTER" must be adjusted to maintain the min. edge distance to mortar joints, additional concrete anchors may be required to ensure the "MAX. ON CENTER" dimension are not exceeded.
- Concrete anchor table:

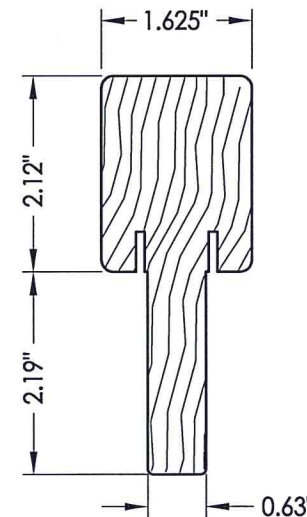
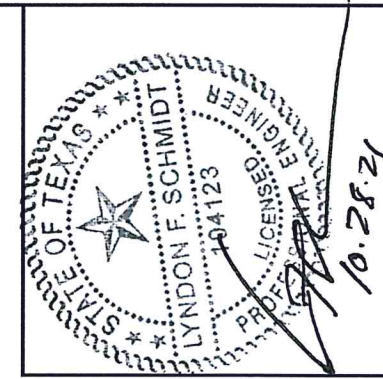
ANCHOR TYPE	ANCHOR SIZE	MIN. EMBEDMENT	MIN. CLEARANCE TO MASONRY EDGE	MIN. CLEARANCE TO ADJACENT ANCHOR
ITW BUILDEX TAPCON®	1/4"	1-3/4"	2"	4"
DeWALT ULTRACON®	1/4"	1-3/4"	1"	4"

WOOD SCREW INSTALLATION NOTES:

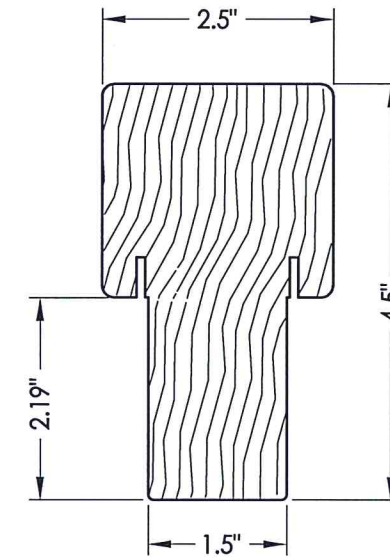
- Maintain a minimum 5/8" edge distance, 1" end distance, & 1" o.c. spacing of wood screws to prevent the splitting of wood.



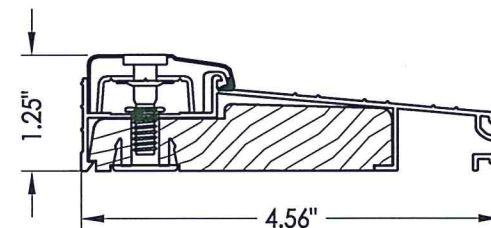
1 JAMB



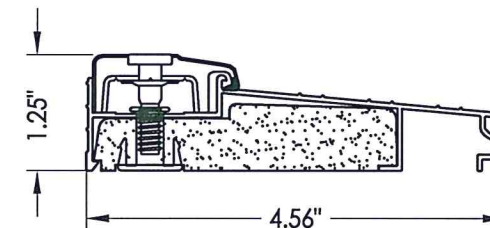
3 INTEGRAL MULLION
1.625" WIDTH



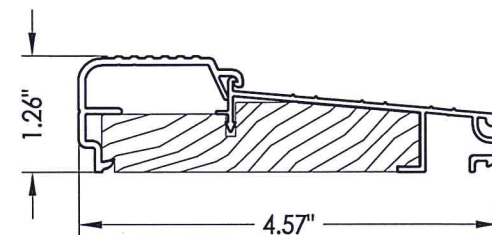
4 INTEGRAL MULLION
2.5" WIDTH



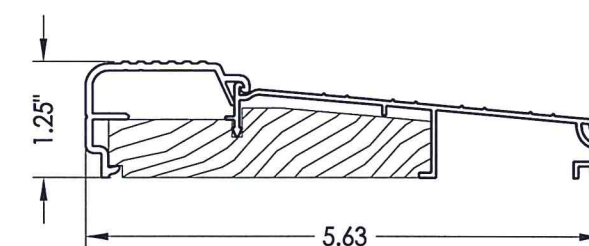
20 INSWING ADJUSTABLE THRESHOLD



21 INSWING ADJUSTABLE THRESHOLD



22 INSWING FIXED THRESHOLD



23 INSWING FIXED THRESHOLD

PRODUCT: DOORSCAPES FIBERGLASS DOOR
PART OR ASSEMBLY: BILL OF MATERIALS & COMPONENTS

NO.	DATE	DESCRIPTION	LFS	BY
1	10/28/21	UPDATE TO 2018 IBC/IRC CODE		

DATE: 5/06/19
SCALE: N.T.S.
DWG. BY: MT
CHK. BY: LFS
DRAWING NO.: TX-4926
SHEET 9 OF 9

Documents Prepared By: Lyndon F. Schmidt, P.E.
TEXAS P.E. #104123

R.W. BUILDING CONSULTANTS, INC.
P.O. Box 230 Valrico FL 33595
Phone No.: 813.659.9197
TEXAS BOARD OF PROFESSIONAL ENGINEERS
CERTIFICATE OF REGISTRATION # F-11852