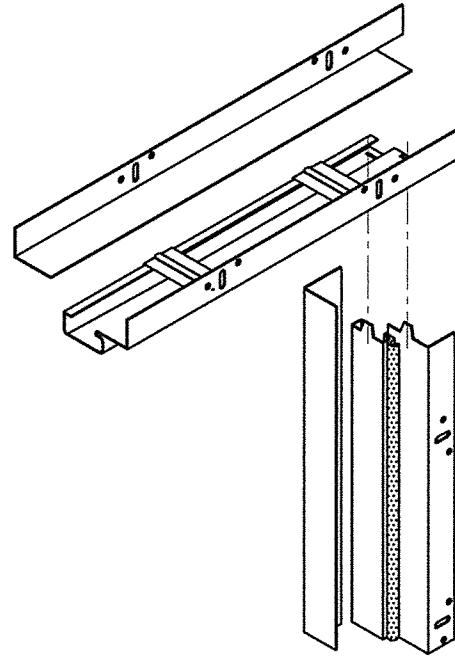


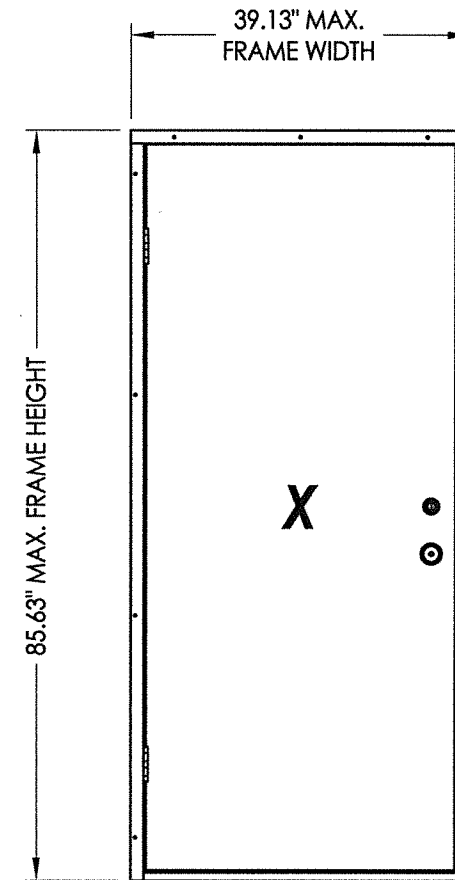


21300 W 8 Mile Rd.  
Southfield, MI 48075-5638

# ENTRY-FIT™ "K2A-Series" ADJUSTABLE STEEL DOOR FRAME Utilizing a Steel Door Panel "IMPACT"



**ADJUSTABLE STEEL DOOR FRAME**  
K2A-Series



**INSWING**

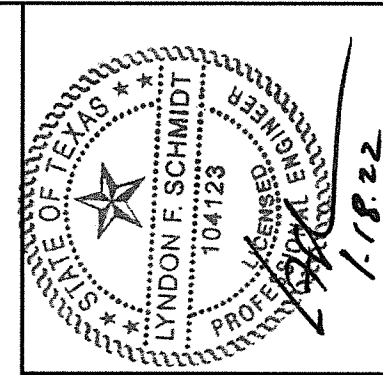
**EVALUATED FOR USE IN THE STATE OF TEXAS**

The Steel Door system described herein complies with the 2018 International Residential Code (IRC), Sections R301 & R609 and the 2018 International Building Code (IBC), Sections 1404.13, 1609, 1709.5, 2403 and 2404 subject to the following conditions:

1. Anchors shall be as listed and spaced as shown in the details. Anchor embedment to base material shall be beyond wall dressing or stucco.
2. This system has been tested and evaluated as a large missile impact protective system for installation in areas that require wind borne debris protection. This product meets missile level "D" as defined in ASTM E 1996.
3. Allowable design pressure requirements must be equal to or less than the design pressure rating shown in the design pressure chart, sheet 1 of this drawing.
4. Conditions not covered by this drawing are subject to further engineering analysis.

TABLE OF CONTENTS	
SHEET#	DESCRIPTION
1	Typical elevations, design pressures & general notes
2	Door panel details
3	Corner detail
4	Elevation & Vertical cross section
5	Horizontal cross sections
6	Frame & buck anchoring (7'-0" door)
7	Bill of materials & components

DOOR PANEL	MAX. OVERALL FRAME DIMENSION	DESIGN PRESSURE (PSF) INSWING	
		POSITIVE	NEGATIVE
JELD-WEN	39.13" X 85.63"	+ 70.0	- 75.0

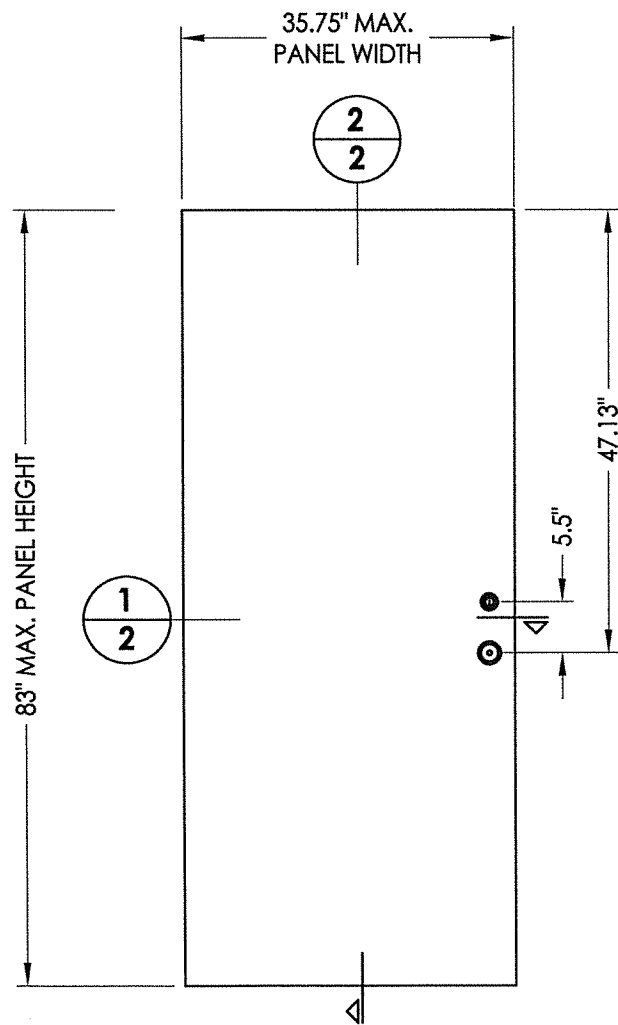
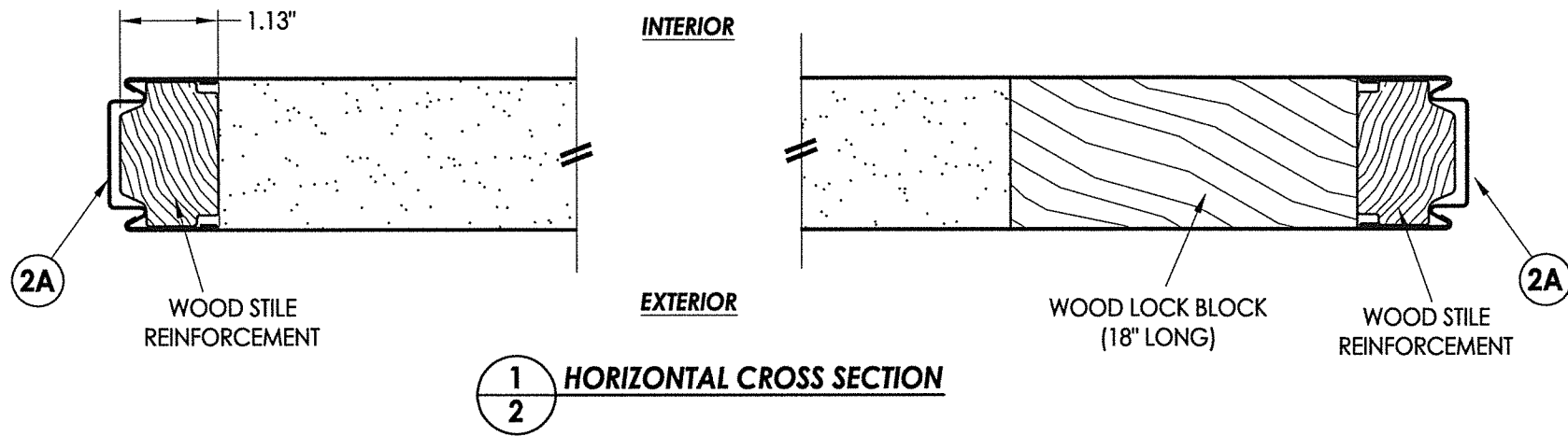


Documents Prepared By: Lyndon F. Schmidt, P.E.  
TEXAS P.E. #104123

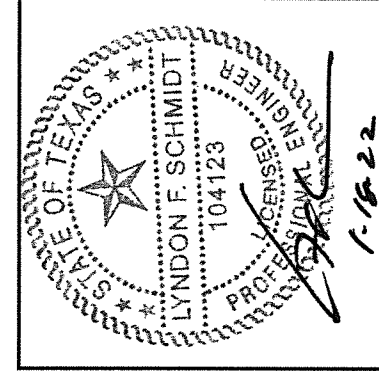
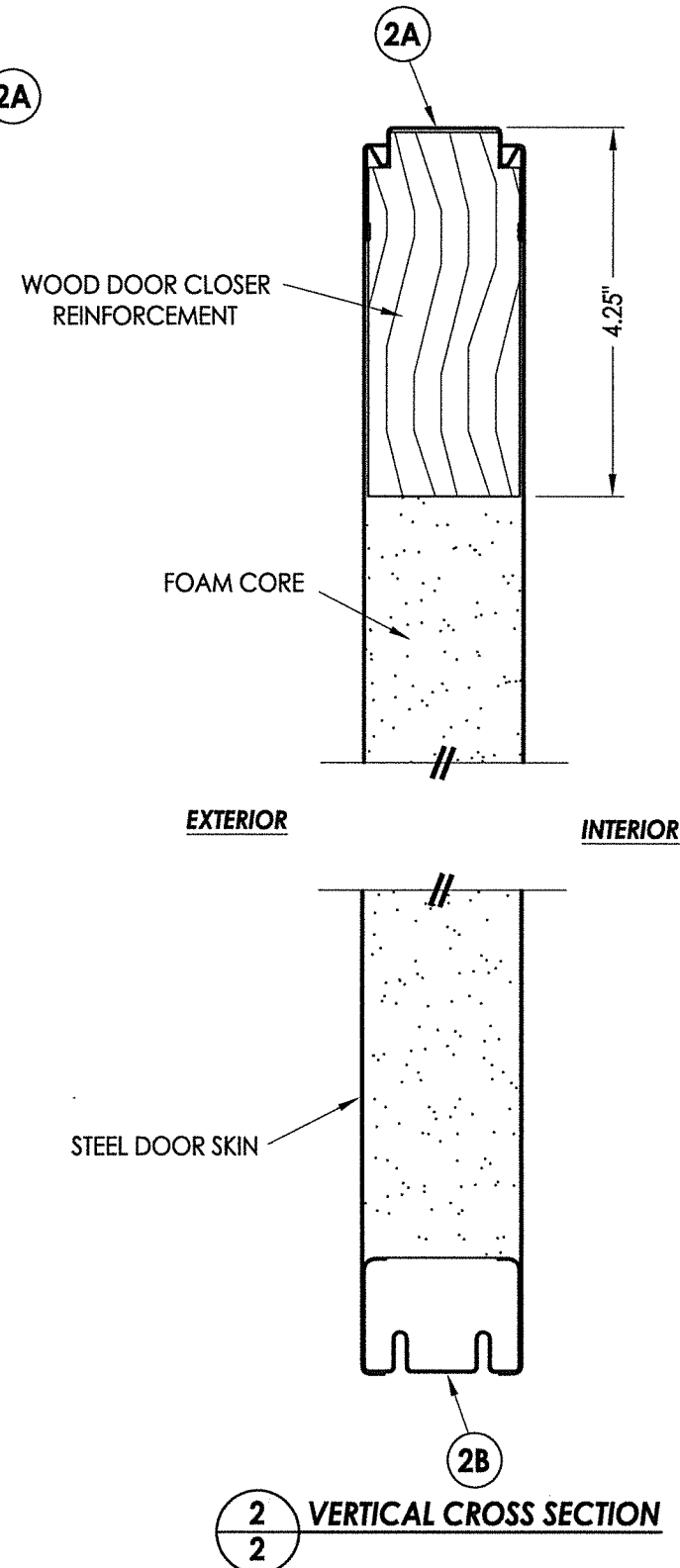
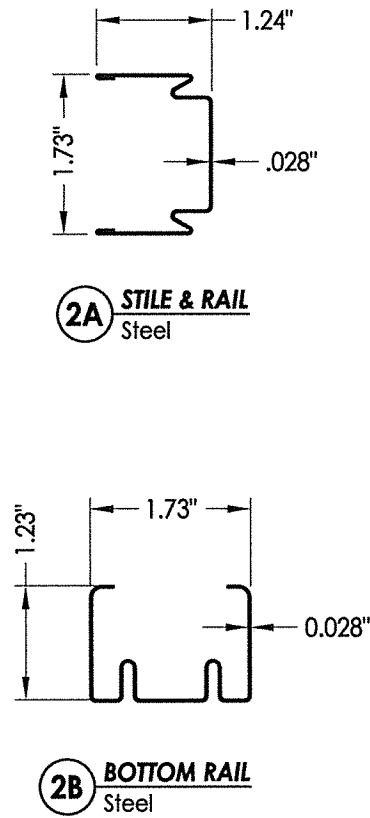
**RW** BUILDING CONSULTANTS, INC.  
P.O. Box 230 Vairico FL 33595  
Phone No.: 813.659.9197  
TEXAS BOARD OF PROFESSIONAL ENGINEERS  
CERTIFICATE OF REGISTRATION # F-11852

PRODUCT:	IDP STEEL FRAME (K2A-SERIES)		
PART OR ASSEMBLY:	TYPICAL ELEVATION, DESIGN PRESSURE & GENERAL NOTES		
NO.	DATE	BY	REVISIONS
1	1/12/22	LFS	UPDATE TO 2018 IBC/IRC CODE
DATE: 5/07/19			
SCALE: N.T.S.			
DWG. BY: RW			
CHK. BY: LFS			
DRAWING NO.: TX-4937			
SHEET 1 OF 7			

Z:\Clients\IDP PERMANENT\B - Texas Dept of Ins\DR-1063 - K2A SERIES w STEEL DR/C - Drawings\TX-4937.dwg



**40** **7'-0" STEEL DOOR PANEL**  
JELD-WEN



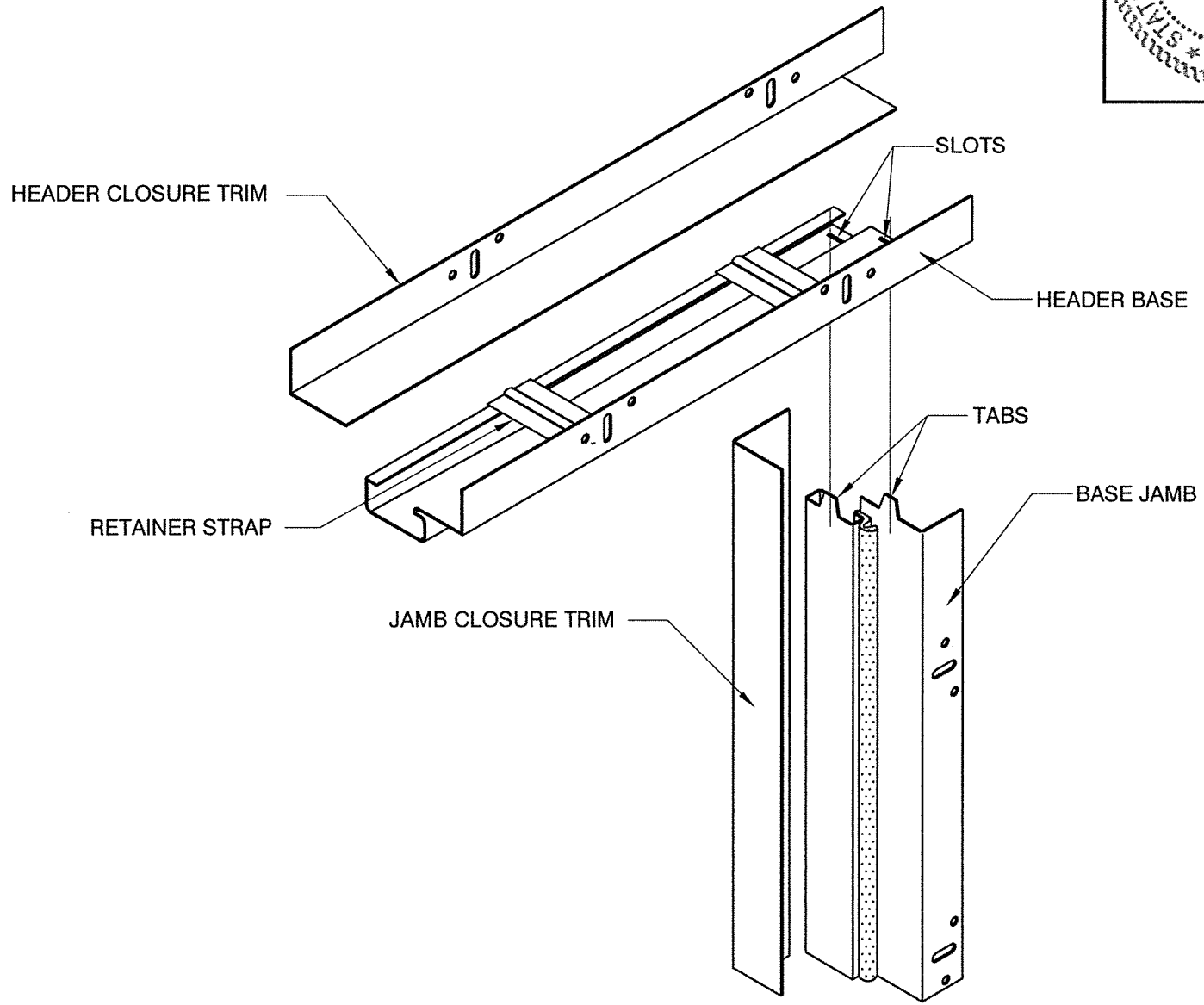
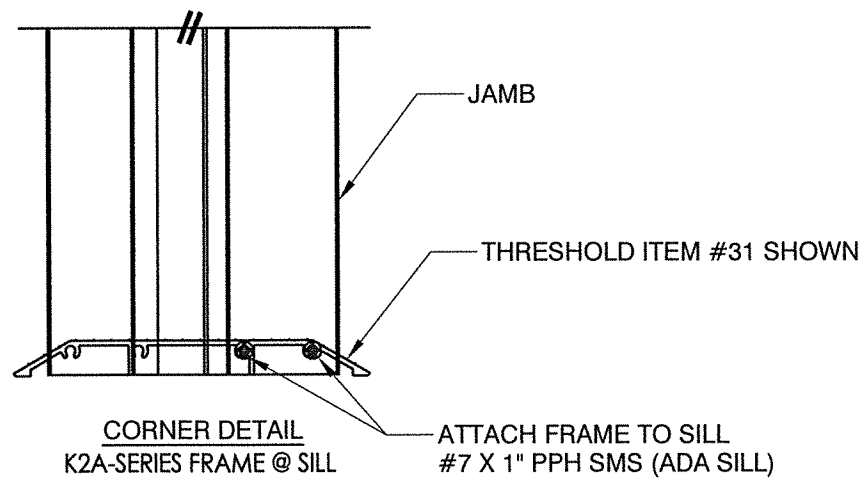
Documents Prepared By: Lyndon F. Schmidt, P.E.  
TEXAS P.E. #104123

**RW** BUILDING CONSULTANTS, INC.  
P.O. Box 230 Valrico FL 33595  
Phone No.: 813.659.9197

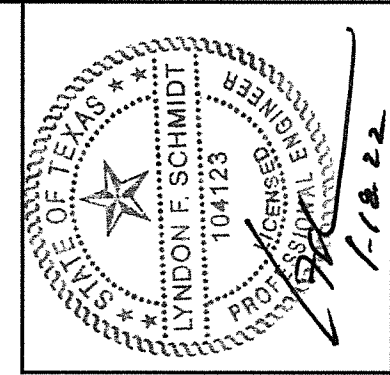
TEXAS BOARD OF PROFESSIONAL ENGINEERS  
CERTIFICATE OF REGISTRATION # F-11852

PRODUCT:		IDP	
STEEL FRAME (K2A-SERIES)			
PART OR ASSEMBLY:		DOOR PANEL DETAILS	
NO.	DATE	DESCRIPTION	BY
1	1/12/22	UPDATE TO 2018 IBC/IRC CODE	LFS
REVISIONS			
DATE: 5/07/19			
SCALE: N.T.S.			
DWG. BY: RW			
CHK. BY: LFS			
DRAWING NO.: TX-4937			
SHEET 2 OF 7			

GALVANIZED STEEL DOOR SKIN: 0.022" MIN. THK.  
FOAM CORE: POLYURETHANE



**CORNER DETAIL**  
IDP ENTRY-FIT™ ADJUSTABLE  
STEEL DOOR FRAME (K2A-SERIES)



Documents Prepared By: Lyndon F. Schmidt, P.E.  
TEXAS P.E. #104123

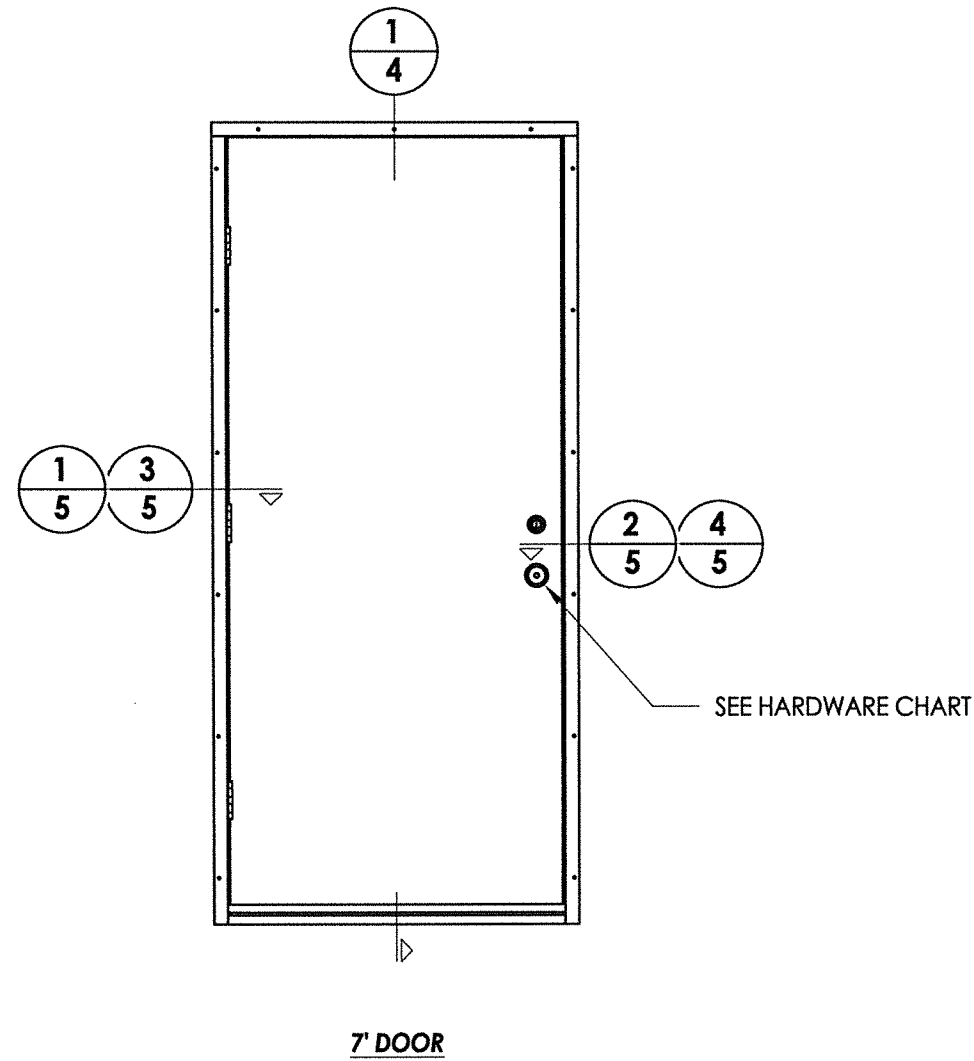
**RW** BUILDING CONSULTANTS, INC.  
P.O. Box 230 Valrico FL 33595  
Phone No.: 813.659.9197

TEXAS BOARD OF PROFESSIONAL ENGINEERS  
CERTIFICATE OF REGISTRATION # F-11852

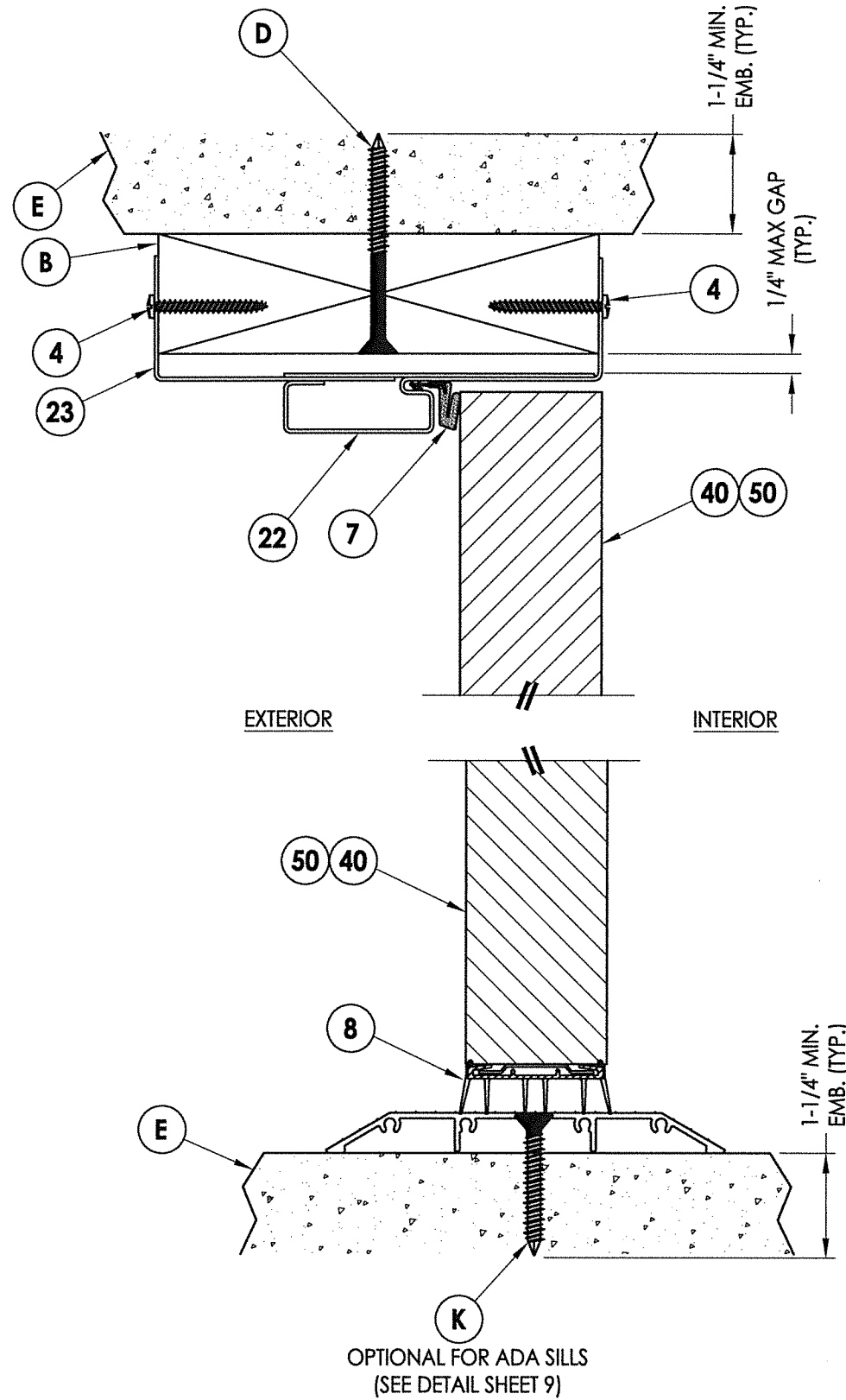
PRODUCT:	STEEL FRAME (K2A--SERIES)
PART OR ASSEMBLY:	CORNER DETAIL

NO.	DATE	REVISIONS
1	1/12/22	UPDATE TO 2018 IBC/IRC CODE
		LFS
		BY

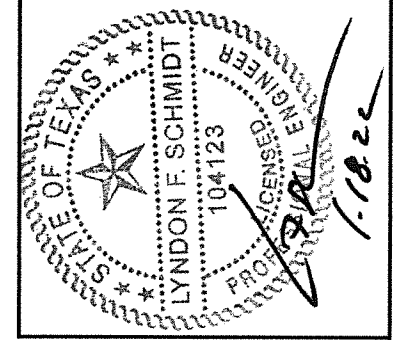
DATE:	5/07/19
SCALE:	N.T.S.
DWG. BY:	RW
CHK. BY:	LFS
DRAWING NO.:	TX-4937
SHEET	3 OF 7



HARDWARE CHART "A"	
MANUFACTURER	MODEL
SCHLAGE	LEVER: "F" SERIES (F51) DEADBOLT: "B" SERIES (B60N)



1/4 **VERTICAL CROSS SECTION**  
4 Inswing Shown



Documents Prepared By: Lyndon F. Schmidt, P.E.  
TEXAS P.E. #104123

**RW** BUILDING CONSULTANTS, INC.  
P.O. Box 230 Valrico FL 33595  
Phone No.: 813.659.9197

TEXAS BOARD OF PROFESSIONAL ENGINEERS  
CERTIFICATE OF REGISTRATION # F-11852

PRODUCT: IDP STEEL FRAME (K2A-SERIES)

PART OR ASSEMBLY: ELEVATION & VERTICAL CROSS SECTION

NO.	DATE	REVISIONS
1	1/12/22	UPDATE TO 2018 IBC/IRC CODE
		LFS
		BY

DATE: 5/07/19

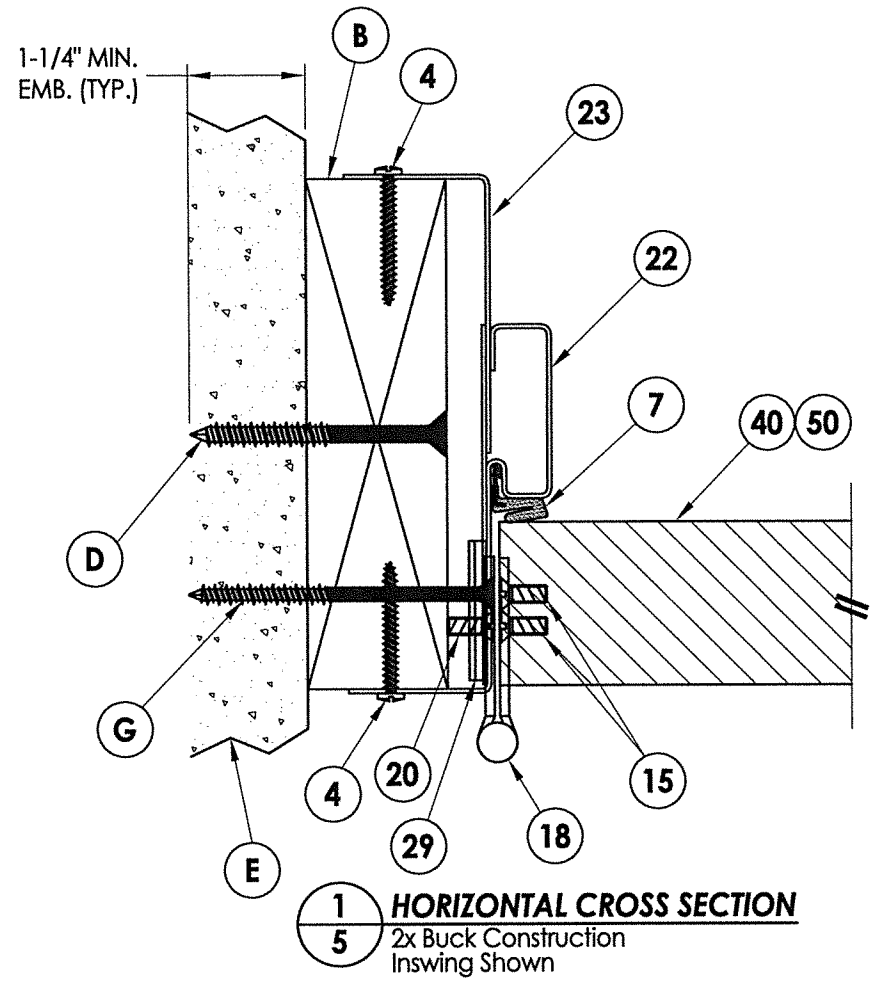
SCALE: N.T.S.

DWG. BY: RW

CHK. BY: LFS

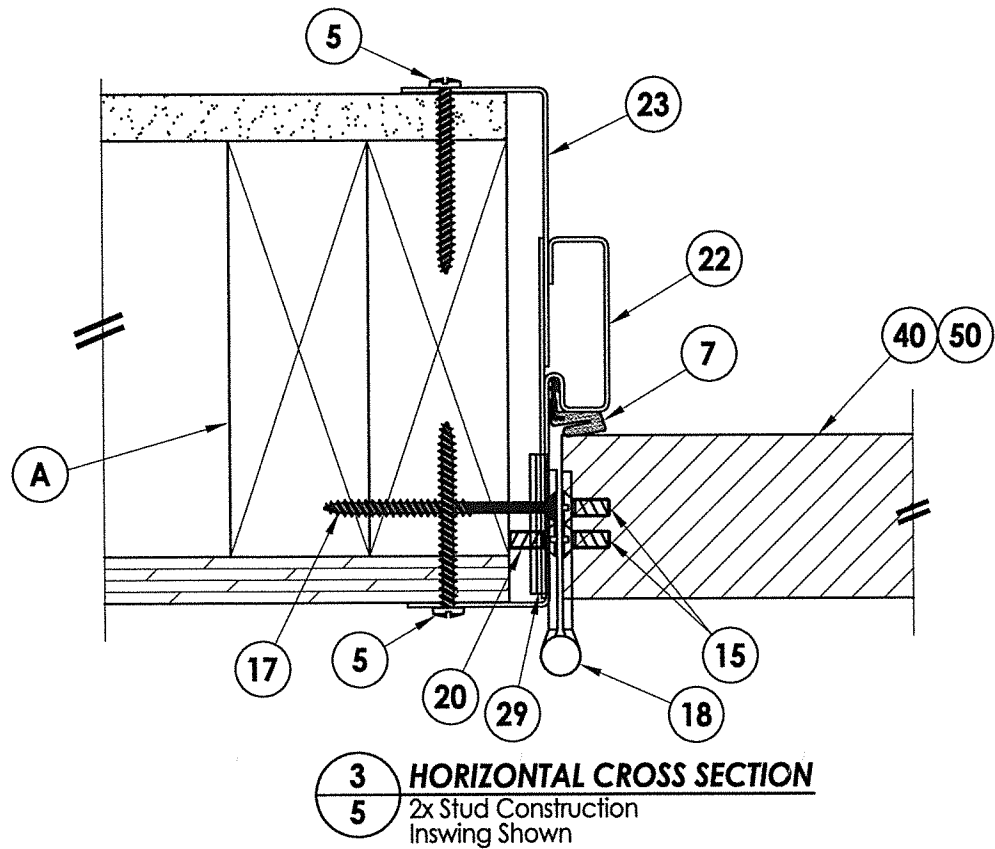
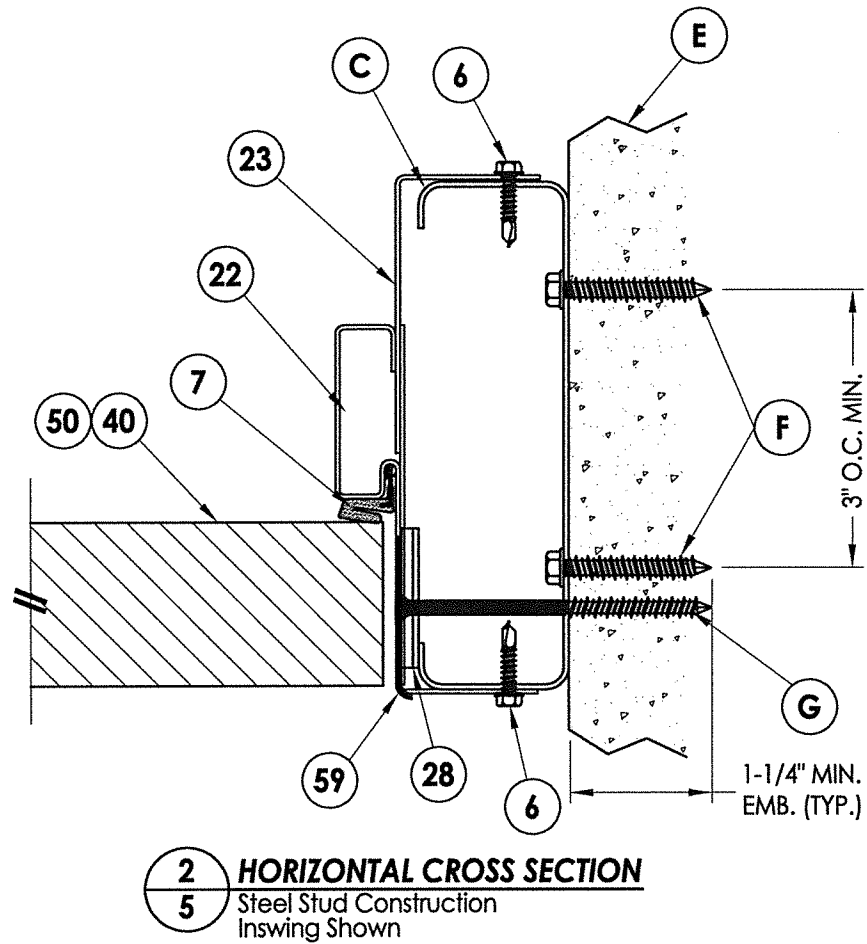
DRAWING NO.: TX-4937

SHEET 4 OF 7



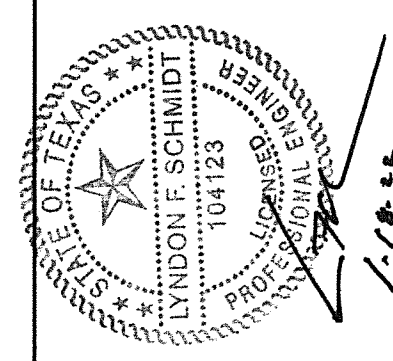
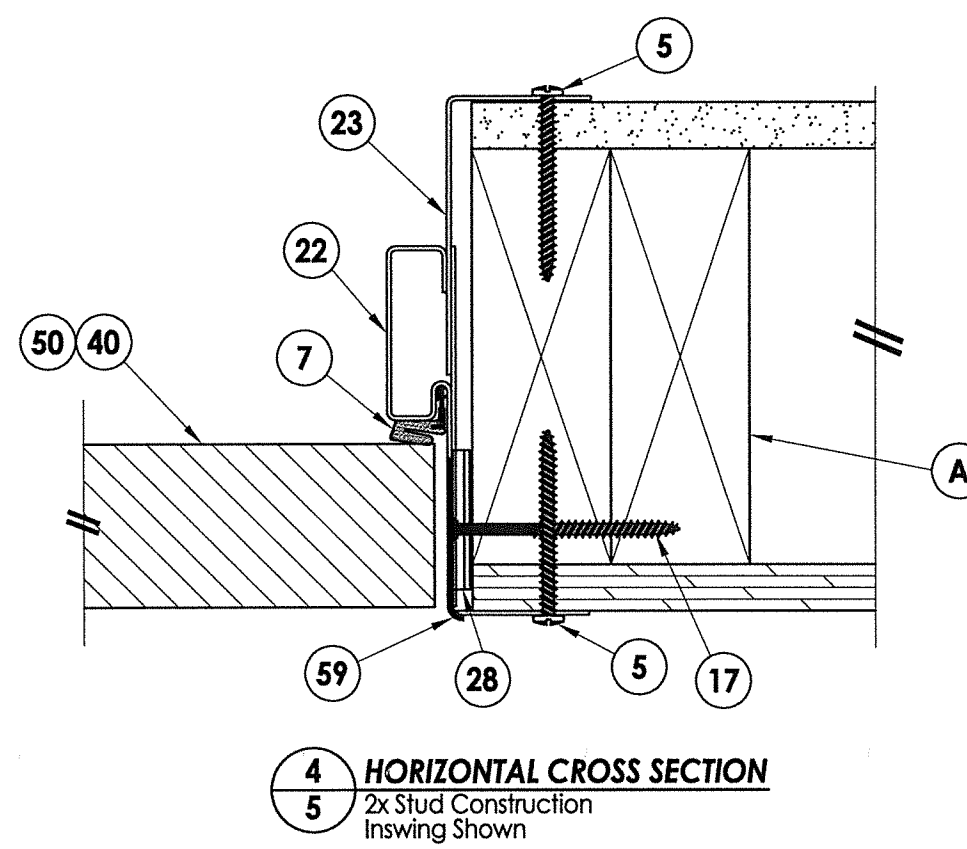
EXTERIOR

INTERIOR



EXTERIOR

INTERIOR



Documents Prepared By: Lyndon F. Schmidt, P.E.  
TEXAS P.E. #104123

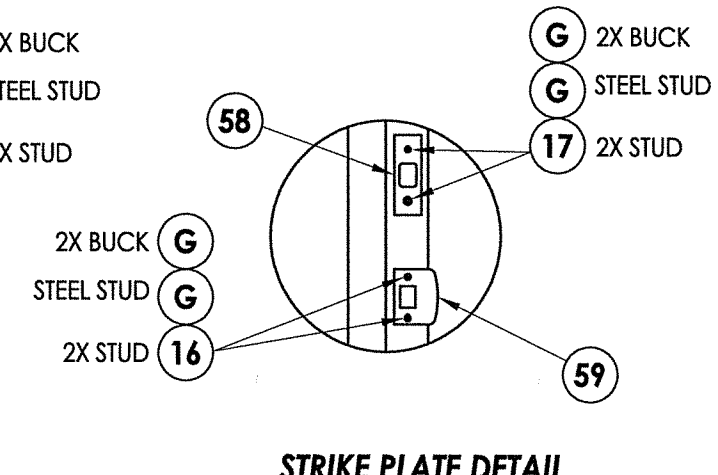
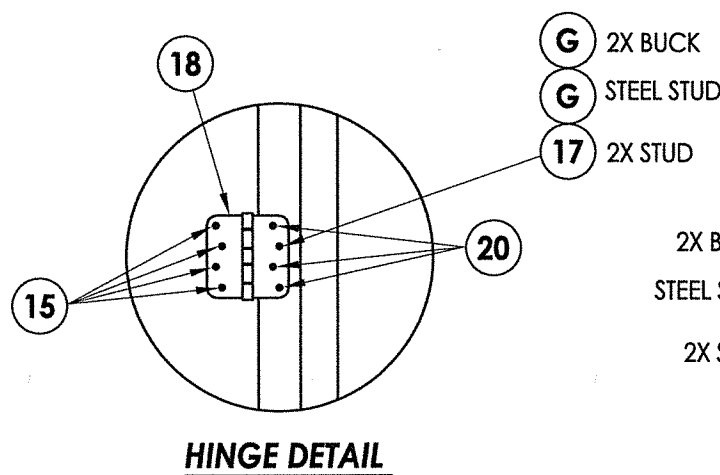
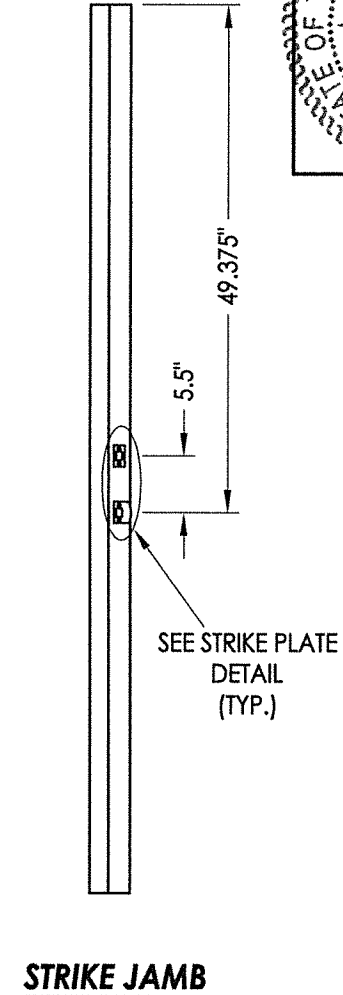
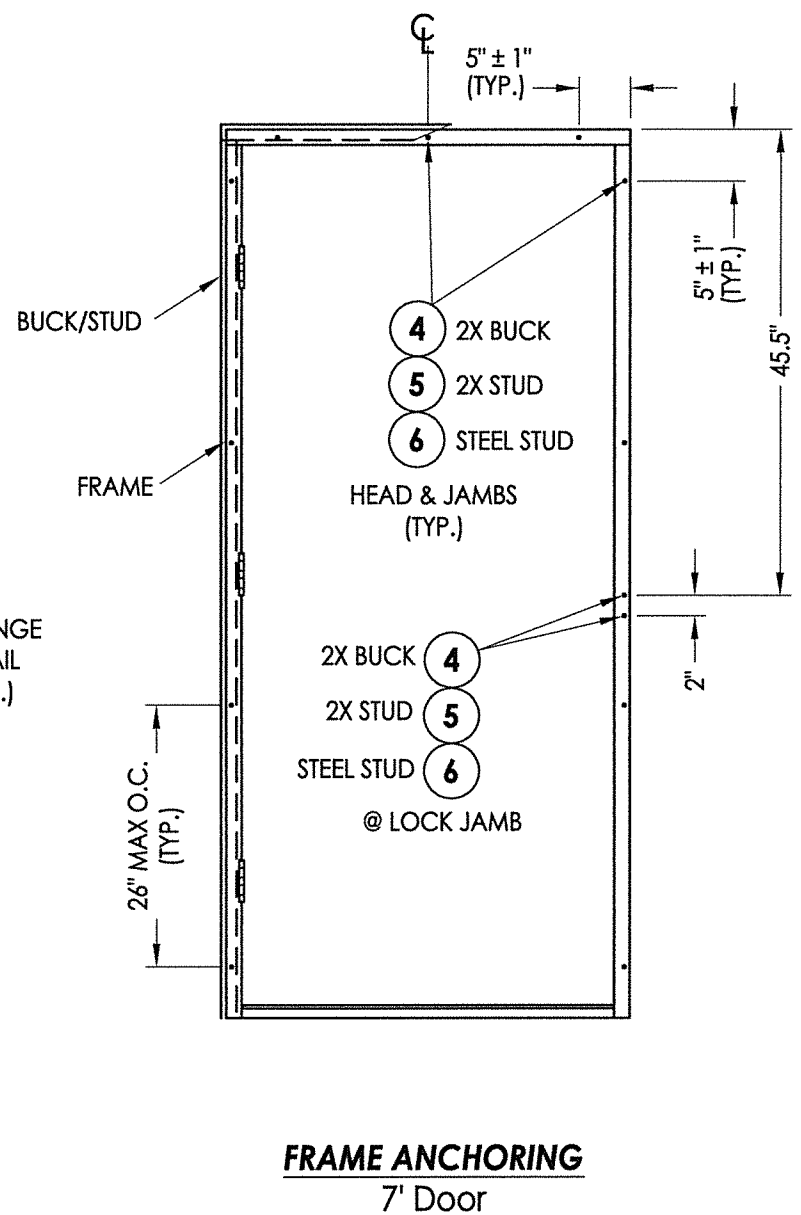
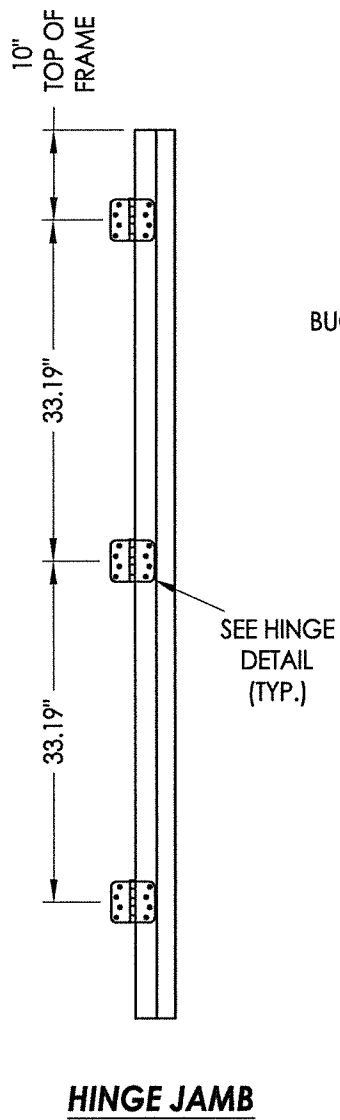
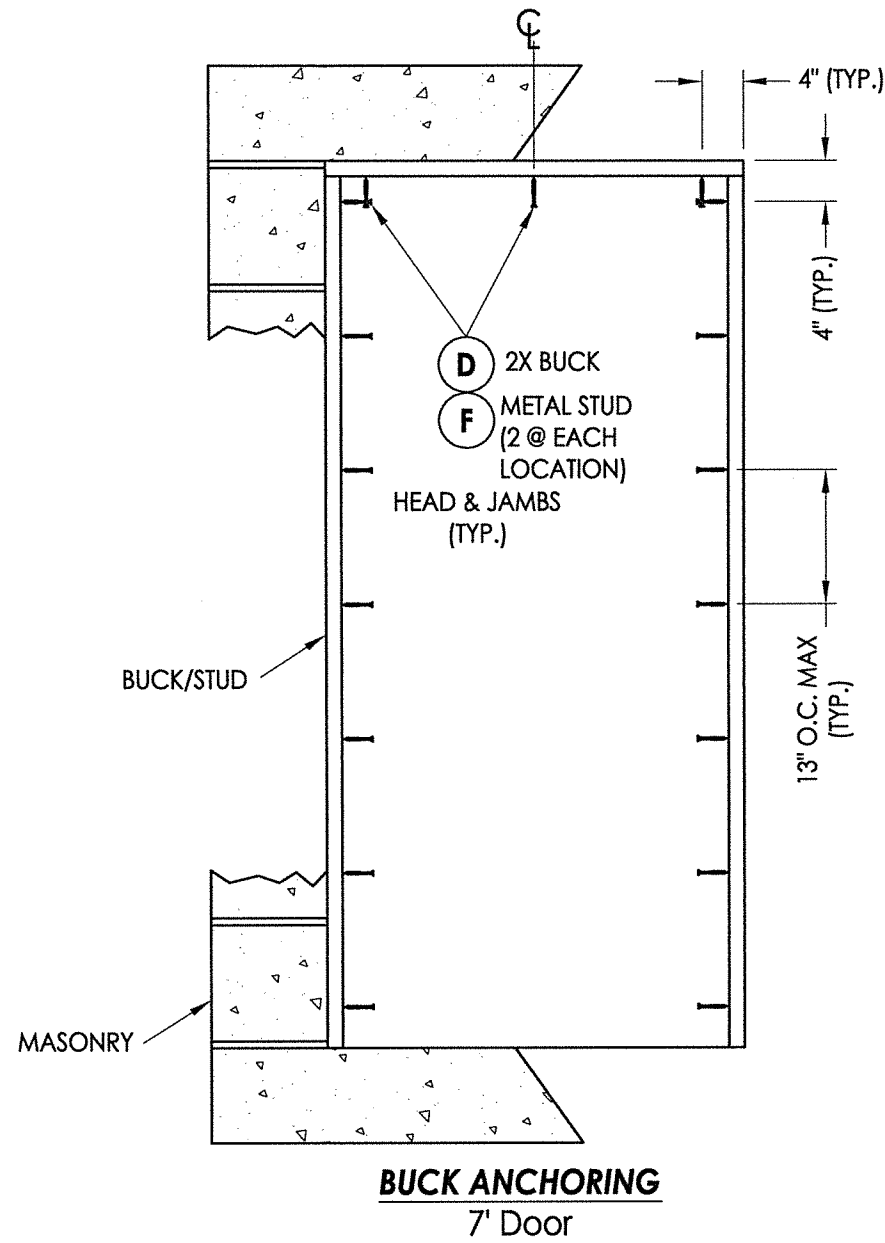
**RW** BUILDING CONSULTANTS, INC.  
P.O. Box 230 Valrico FL, 33595  
Phone No.: 813.659.9197

TEXAS BOARD OF PROFESSIONAL ENGINEERS  
CERTIFICATE OF REGISTRATION # F-11852

PRODUCT:	IDP
STEEL FRAME (K2A-SERIES)	
PART OR ASSEMBLY:	
HORIZONTAL CROSS SECTIONS	

NO.	DATE	REVISIONS	BY
1	1/12/22	UPDATE TO 2018 IBC/IRC CODE	LFS

DATE: 5/07/19  
SCALE: N.T.S.  
DWG. BY: RW  
CHK. BY: LFS  
DRAWING NO.: TX-4937  
SHEET 5 OF 7



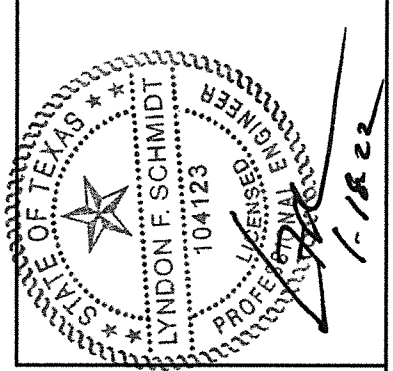
**CONCRETE ANCHOR NOTES:**

- Concrete anchor locations at the corners may be adjusted to maintain the min. edge distance to mortar joints.
- Concrete anchor locations noted as "MAX. ON CENTER" must be adjusted to maintain the min. edge distance to mortar joints, additional concrete anchors may be required to ensure the "MAX. ON CENTER" dimension are not exceeded.
- Concrete anchor table:

ANCHOR TYPE	ANCHOR SIZE	MIN. EMBEDMENT	MIN. CLEARANCE TO MASONRY EDGE	MIN. CLEARANCE TO ADJACENT ANCHOR
ITW TAPCON®	1/4"	1-1/4"	2"	4"
DeWALT ULTRACON®	1/4"	1-1/4"	2-1/2"	4"
ITW TAPCON®	3/16"	1-1/4"	3"	1-1/2"

**WOOD SCREW INSTALLATION NOTES:**

- Maintain a minimum 5/8" edge distance, 1" end distance, & 1" o.c. spacing of wood screws to prevent the splitting of wood.



Documents Prepared By: Lyndon F. Schmidt, P.E.  
TEXAS P.E. #104123

**RW** BUILDING CONSULTANTS, INC.  
P.O. Box 230 Vairico FL 33595  
Phone No.: 813.659.9197  
TEXAS BOARD OF PROFESSIONAL ENGINEERS  
CERTIFICATE OF REGISTRATION # F-11852

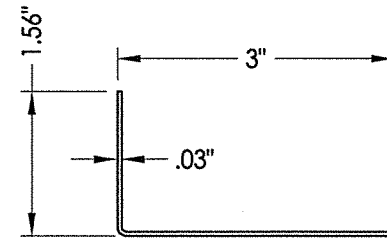
PRODUCT: IDP STEEL FRAME (K2A-SERIES)  
PART OR ASSEMBLY: FRAME AND BUCK ANCHORING (7'-0" DOOR)

NO.	DATE	REVISIONS
1	1/12/22	UPDATE TO 2018 IBC/IRC CODE
LFS		BY

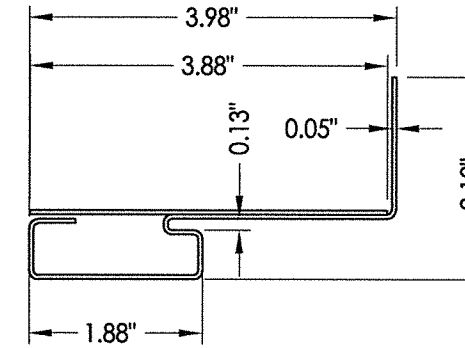
DATE: 5/07/19  
SCALE: N.T.S.  
DWG. BY: RW  
CHK. BY: LFS  
DRAWING NO.: TX-4937  
SHEET 6 OF 7

**BILL OF MATERIALS**

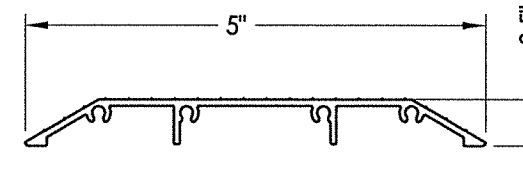
ITEM #	DESCRIPTION	MATERIAL
A	2X STUD FRAMING (SG >= 0.42)	WOOD
B	2X BUCK (SG >= 0.42)	WOOD
C	METAL STUD (SSMA STUD 550S162-54, Fy = 33 ksi, Fu = 45 ksi)	STEEL
D	1/4" X 2-3/4" DeWALT OR ITW PFH CONCRETE SCREW	STEEL
E	MASONRY - 3,000 PSI MIN. CONCRETE CONFORMING TO ACI 301 OR HOLLOW BLOCK CONFORMING TO ASTM C90 OR ASTM A653 STEEL	CONCRETE
F	3/16" X 1-3/4" HWH ITW CONCRETE SCREW	STEEL
G	3/16" X 3-1/4" DeWALT OR ITW PFH CONCRETE SCREW	STEEL
H	1/4" X 2-1/4" DeWALT OR ITW PFH CONCRETE SCREW	STEEL
K	1/4" X 1-3/4" DeWALT OR ITW PFH CONCRETE SCREW	STEEL
4	#10 X 1-1/2" PPH SMS (1-1/4" MIN. EMBEDMENT)	STEEL
5	#10 X 2" PPH SMS (1-1/4" MIN. EMBEDMENT)	STEEL
6	#10 X 3/4" HWH SELF-DRILLING TEK SCREW (3 THREADS MUST PROTRUDE THRU STEEL)	STEEL
7	WEATHERSTRIP	-
8	DOOR SWEEP	PVC
15	10-24 X 5/8" PFH MS	STEEL
16	#8 X 2-1/2" PFH WOOD SCREW	STEEL
17	#10 X 2-1/2" PFH WOOD SCREW	STEEL
18	4" X 4" HINGE	STEEL
20	10-24 X 1/2" PFH MS	STEEL
22	IDP (K2A-SERIES) EXTERIOR FRAME (18 GA. - A60 GALVANNEALED STEEL)	STEEL
23	IDP (K2A-SERIES) INTERIOR FRAME (22 GA. - A60 GALVANNEALED STEEL)	STEEL
28	LATCH & DEADBOLT REINFORCEMENT	STEEL
29	HINGE REINFORCEMENT	STEEL
31	ADA THRESHOLD	ALUM
40	7' DOOR - SEE DOOR PANEL DETAILS	-
58	DEADBOLT STRIKE	STEEL
59	LATCH STRIKE	STEEL



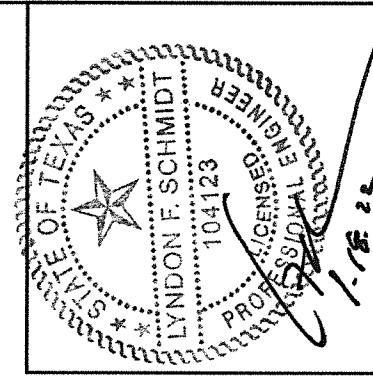
**23** INTERIOR FRAME  
K2A -SERIES



**22** EXTERIOR FRAME  
K2A -SERIES



**31** ADA THRESHOLD  
IDP



Documents Prepared By: Lyndon F. Schmidt, P.E.  
TEXAS P.E. #104123

**RW** BUILDING CONSULTANTS, INC.  
P.O. Box 230 Valrico FL 33595  
Phone No.: 813.659.9197  
TEXAS BOARD OF PROFESSIONAL ENGINEERS  
CERTIFICATE OF REGISTRATION # F-11852

PRODUCT: IDP  
STEEL FRAME (K2A-SERIES)

PART OR ASSEMBLY:  
BILL OF MATERIALS  
AND COMPONENTS

NO.	DATE	UPDATE TO 2018 IBC/IRC CODE	LFS	BY
1	1/12/22			

REVISIONS

DATE: 5/07/19

SCALE: N.T.S.

DWG. BY: RW

CHK. BY: LFS

DRAWING NO.:

TX-4937

SHEET 7 OF 7