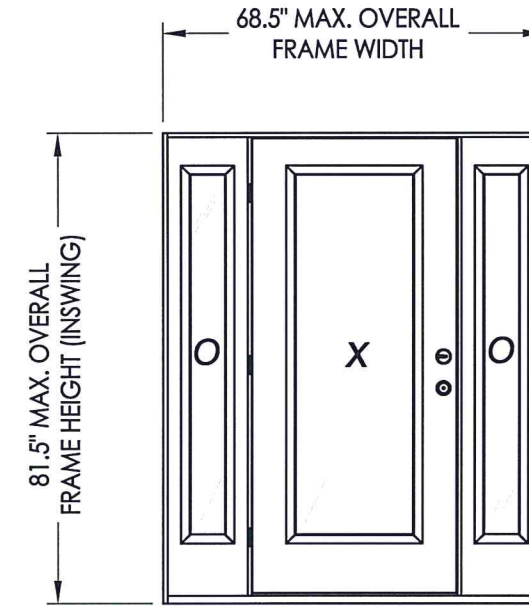
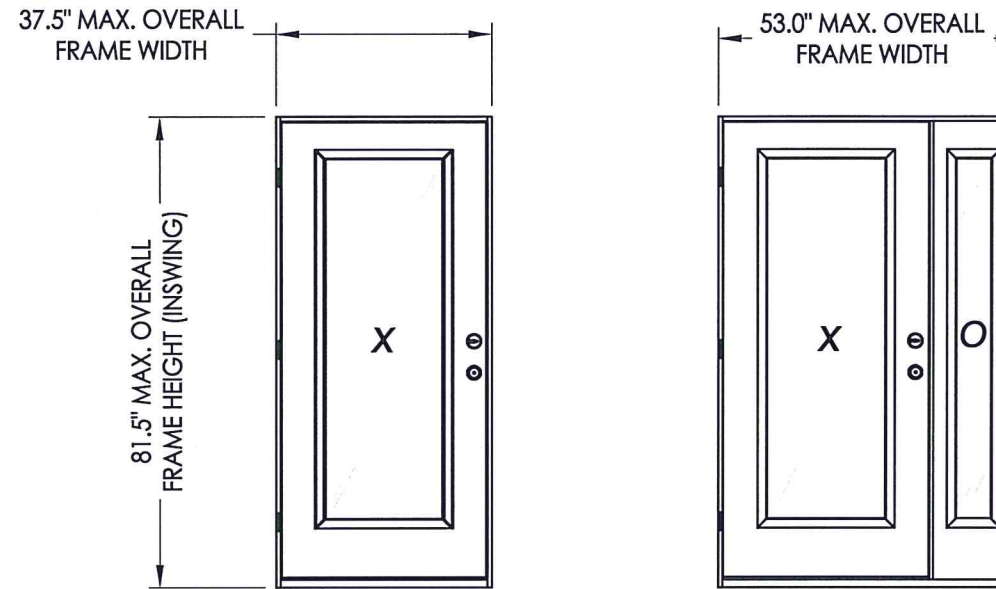


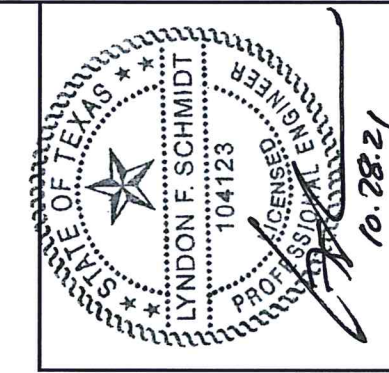


GLAZED STEEL ENTRY DOOR SINGLES w/ or w/out SIDELITES

**INSWING
"NON-IMPACT"**



CONTINUOUS HEAD & SILL



Documents Prepared By: Lyndon F. Schmidt, P.E.
TEXAS P.E. #104123

RW BUILDING CONSULTANTS, INC.
P.O. Box 230 Valrico FL 33595
Phone No.: 813.659.9197

TEXAS BOARD OF PROFESSIONAL ENGINEERS
CERTIFICATE OF REGISTRATION # F-11852

EVALUATED FOR USE IN THE STATE OF TEXAS

The Steel Door system described herein complies with the 2018 International Residential Code (IRC), Sections R301 & R609 and the 2018 International Building Code (IBC), Sections 1404.13, 1609, 1709.5, 2403 and 2404 subject to the following conditions:

1. Anchors shall be as listed and spaced as shown in the details. Anchor embedment to base material shall be beyond wall dressing or stucco.
2. When used in areas requiring wind-borne debris protection this product is required to be protected with an impact resistant covering that complies with Section R301.2.1.2 of the IRC and Section 1609.1.2 of the IBC.
3. Allowable design pressure requirements must be equal to or less than the design pressure rating shown in the design pressure chart, sheet 1 of this drawing.
4. Conditions not covered by this drawing are subject to further engineering analysis.

TABLE OF CONTENTS

SHEET #	DESCRIPTION
1	Typical Elevations, Design Pressures & General Notes
2	Door Panel & Glazing Details
3	Sidelite Panel & Glazing Details
4	Elevations
5	Horizontal & Vertical Cross Sections
6	Horizontal Cross Sections
7	Vertical Cross Sections
8	Frame Anchoring & Hardware Details
9	Bill of Materials & Components

CONFIGURATION	MAX. FRAME DIMENSION	INTEGRAL MULLION WIDTH	DESIGN PRESSURE (PSF) INSWING	
			POSITIVE	NEGATIVE
X	37.5" x 81.5"	N/A	+30.0	-40.0
OX/XO	52.125" x 81.5"	1.625"	+30.0	-40.0
	53.0" x 81.5"	2.5"	+30.0	-40.0
OXO	66.75" x 81.5"	1.625"	+30.0	-40.0
	68.5" x 81.5"	2.5"	+30.0	-40.0

PRODUCT: DOORSCAPES STEEL DOOR

PART OR ASSEMBLY: TYPICAL ELEVATION, DESIGN PRESSURES & GENERAL NOTES

NO.	DATE	REVISIONS
1	10/28/21	UPDATE TO 2018 IBC/IRC CODE
		LFS
		BY

DATE: 5/06/19

SCALE: N.T.S.

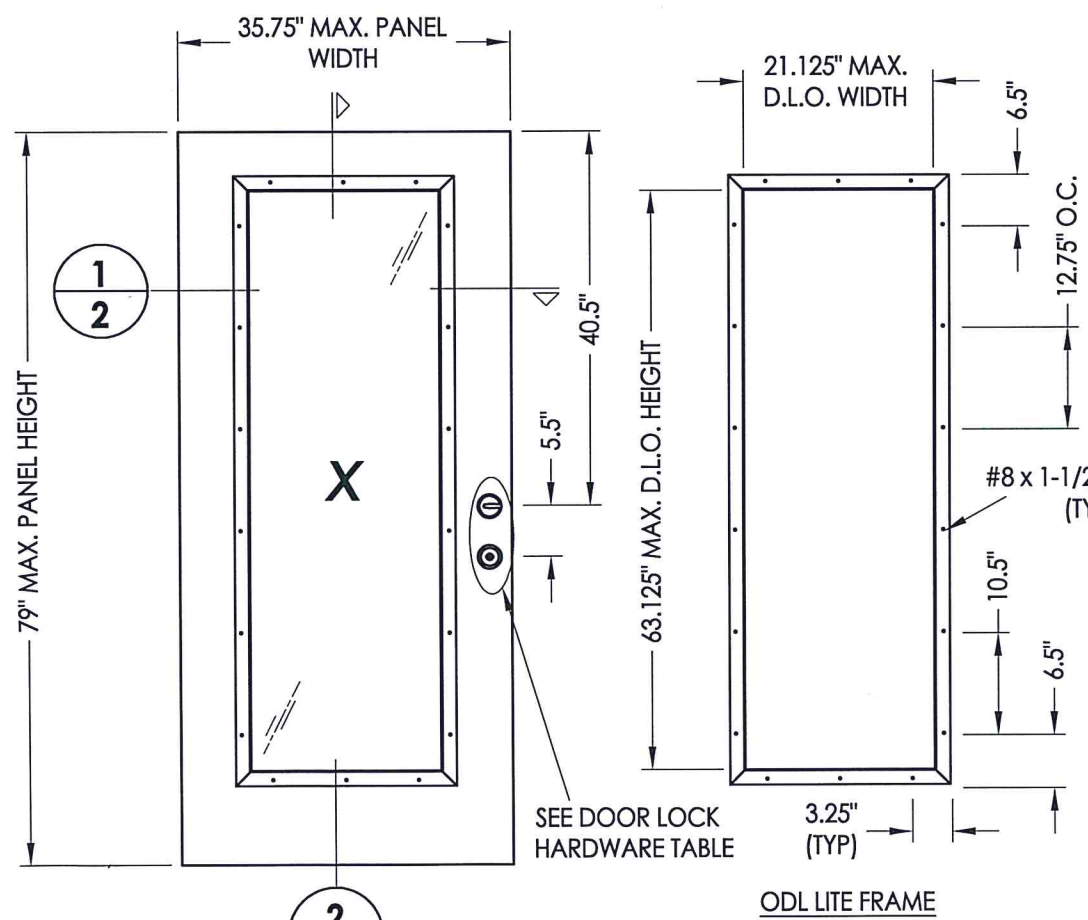
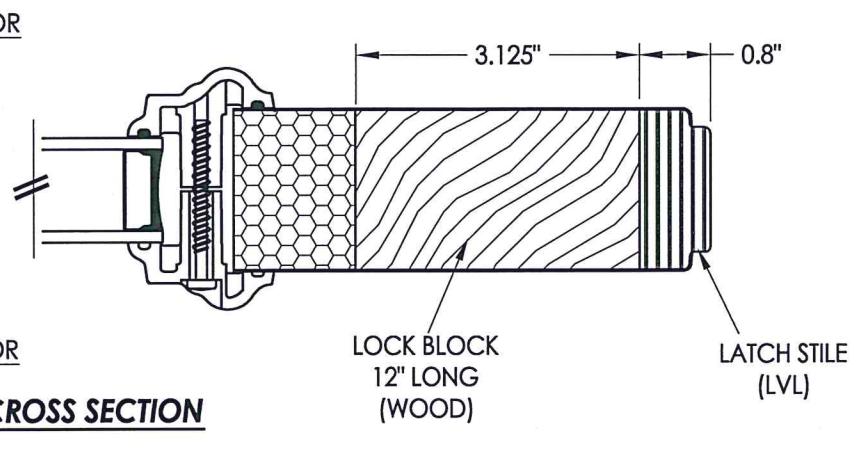
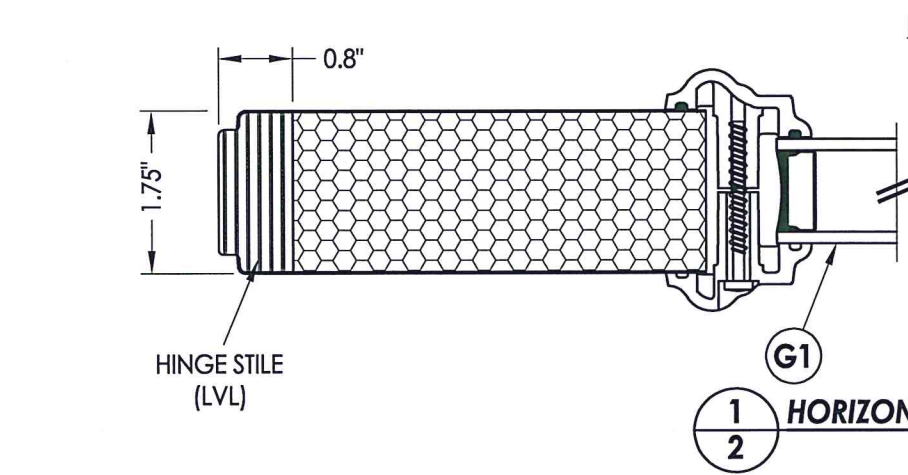
DWG. BY: MT

CHK. BY: LFS

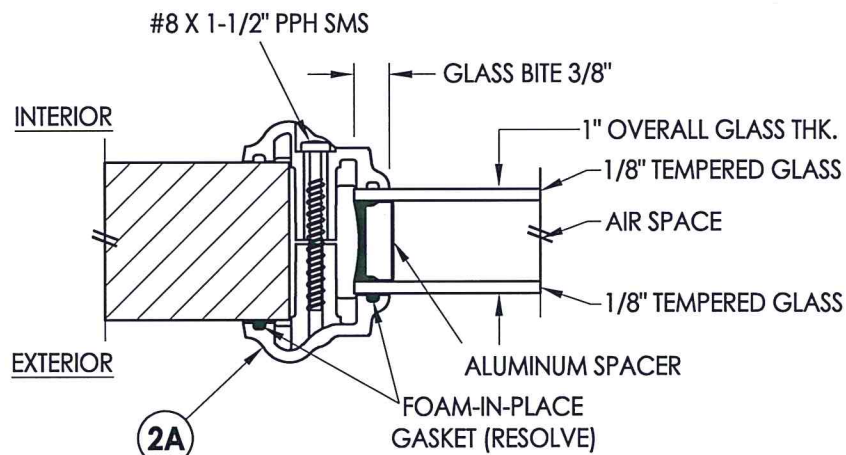
DRAWING NO.: TX-4932

SHEET 1 OF 9

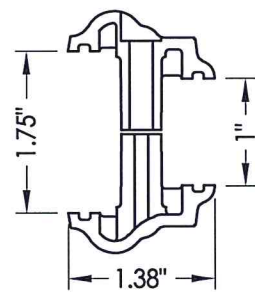
Z:\Clients\Doorscapes\B - Texas Dept of Ins\TDI - DR 1059 Steel Non-Impact\C - Drawings\TX-4932-33.dwg



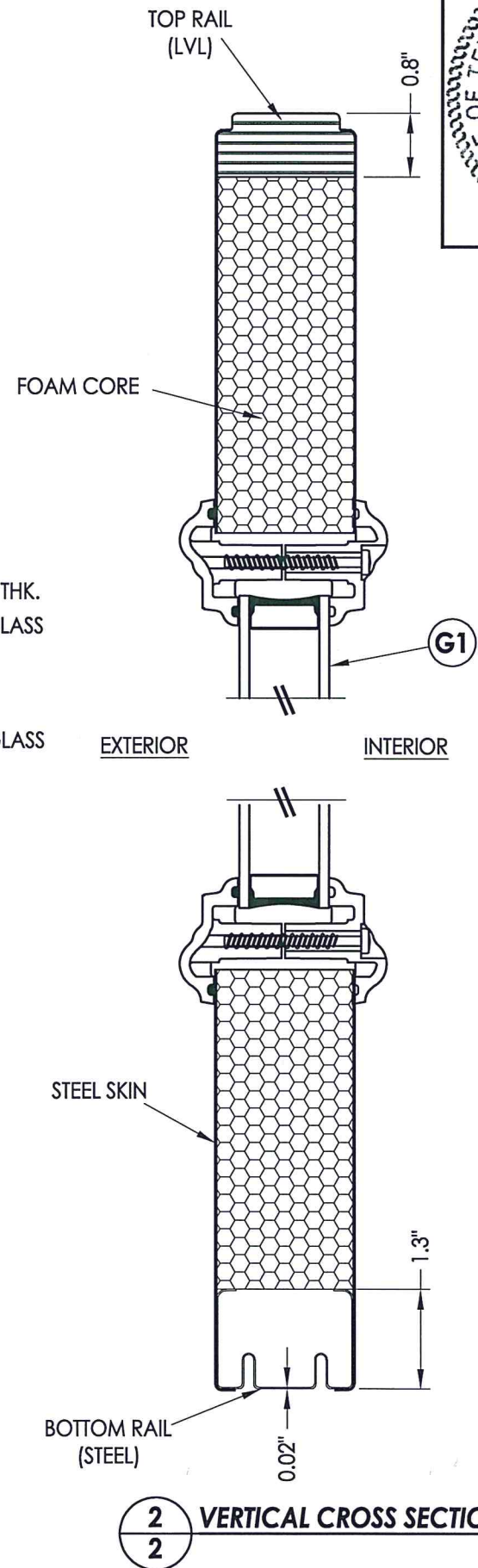
40 **DOOR PANEL**
Doorscapes



G1 **GLAZING DETAIL**
ODL LITE FRAME



HARDWARE TABLE	
MANUFACTURER	MODEL
YALE	KNOB: YE SERIES (10) DEADBOLT: YE SERIES (82E)



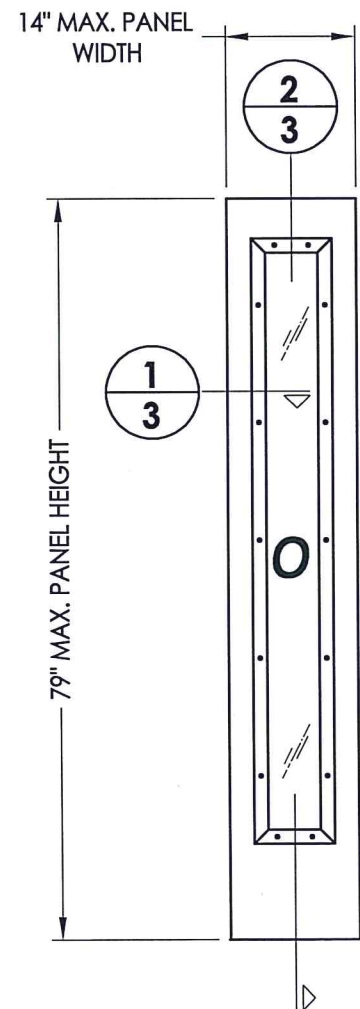
Documents Prepared By: Lyndon F. Schmidt, P.E.
TEXAS P.E. #104123

RW BUILDING CONSULTANTS, INC.
P.O. Box 230 Valrico FL, 33595
Phone No.: 813.659.9197

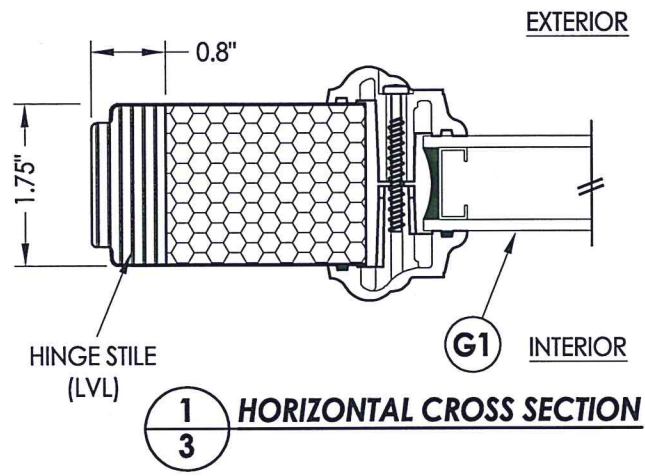
TEXAS BOARD OF PROFESSIONAL ENGINEERS
CERTIFICATE OF REGISTRATION # F-11852

PRODUCT:	DOORSCAPES STEEL DOOR	
PART OR ASSEMBLY:	DOOR PANEL & GLAZING DETAILS	
NO.	DATE	BY
1	10/28/21	LFS
UPDATE TO 2018 IBC/IRC CODE		
REVISIONS		
DATE:	5/06/19	
SCALE:	N.T.S.	
DWG. BY:	MT	
CHK. BY:	LFS	
DRAWING NO.:	TX-4932	
SHEET	2 OF 9	

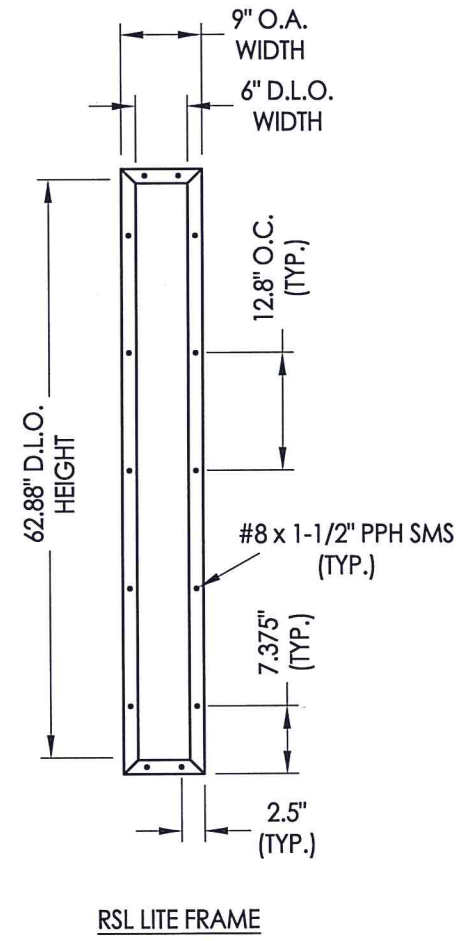
Z:\Clients\Doorscapes\B - Texas Dept of Ins\TDI - DR 1059 Steel Non-Impact\C - Drawings\TX-4932-33.dwg



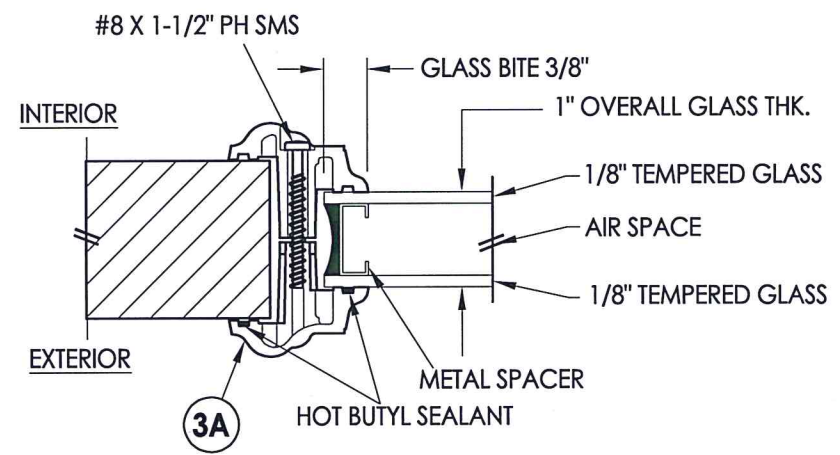
50 SIDELITE PANEL
Doorscapes



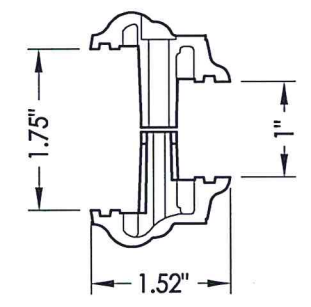
1/3 HORIZONTAL CROSS SECTION



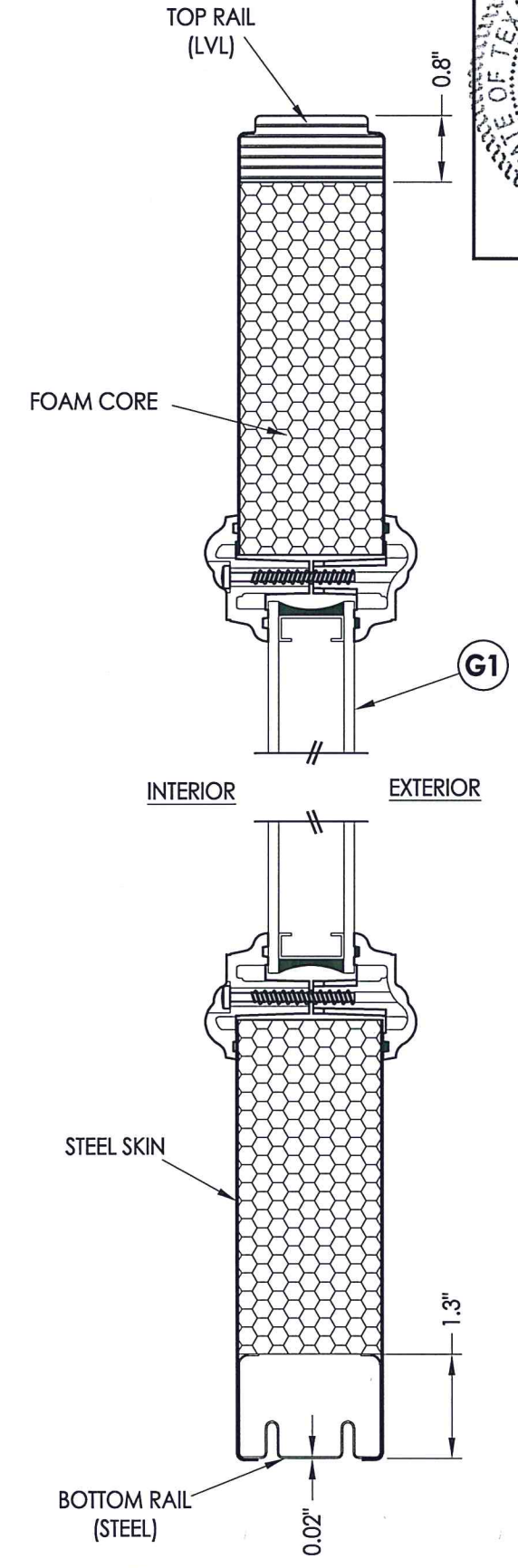
RSL LITE FRAME



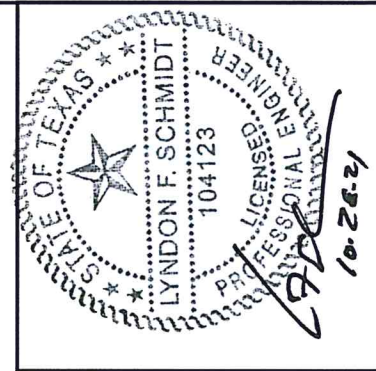
G1 GLAZING DETAIL
RSL LITE FRAME



3A RSL LITE FRAME
PVC



2/3 VERTICAL CROSS SECTION



Documents Prepared By: Lyndon F. Schmidt, P.E.
TEXAS P.E. #104123

RW BUILDING CONSULTANTS, INC.
P.O. Box 230 Valrico FL 33595
Phone No.: 813.659.9197

TEXAS BOARD OF PROFESSIONAL ENGINEERS
CERTIFICATE OF REGISTRATION # F-11852

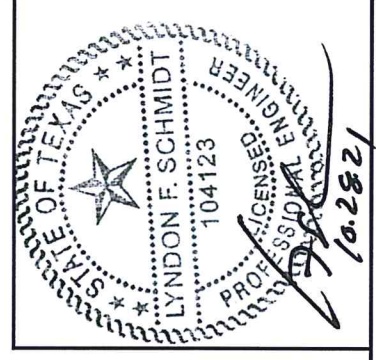
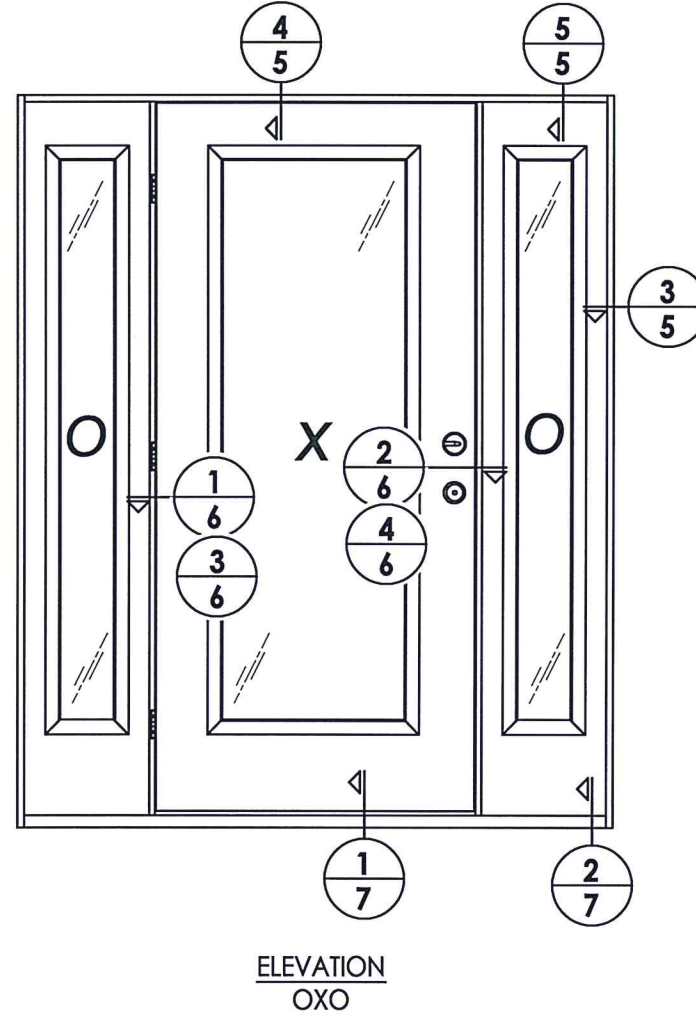
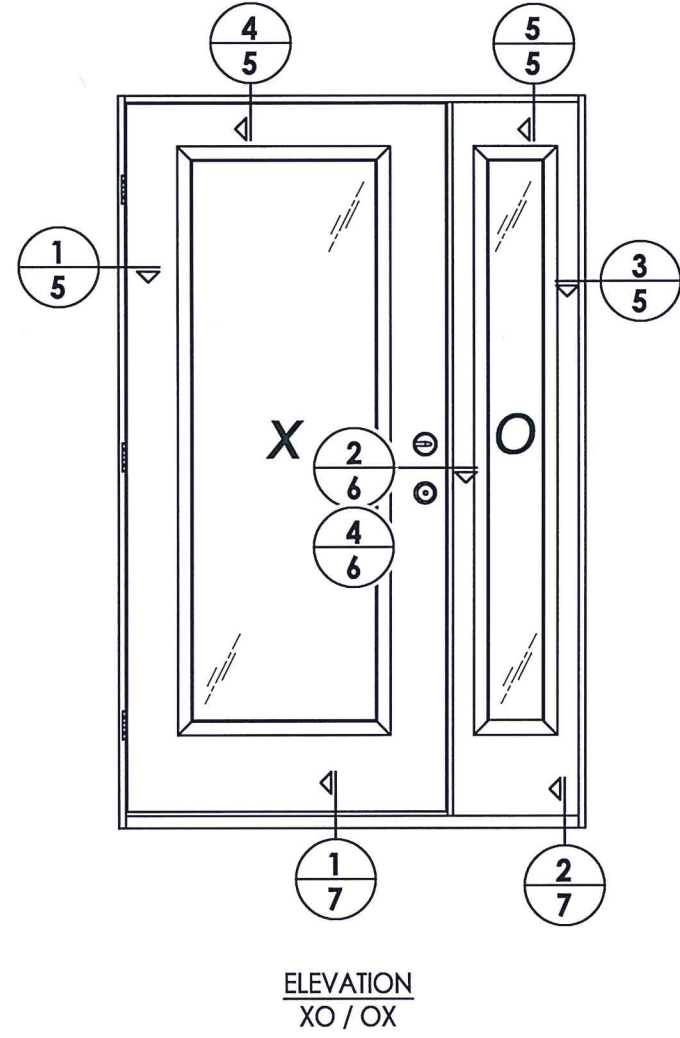
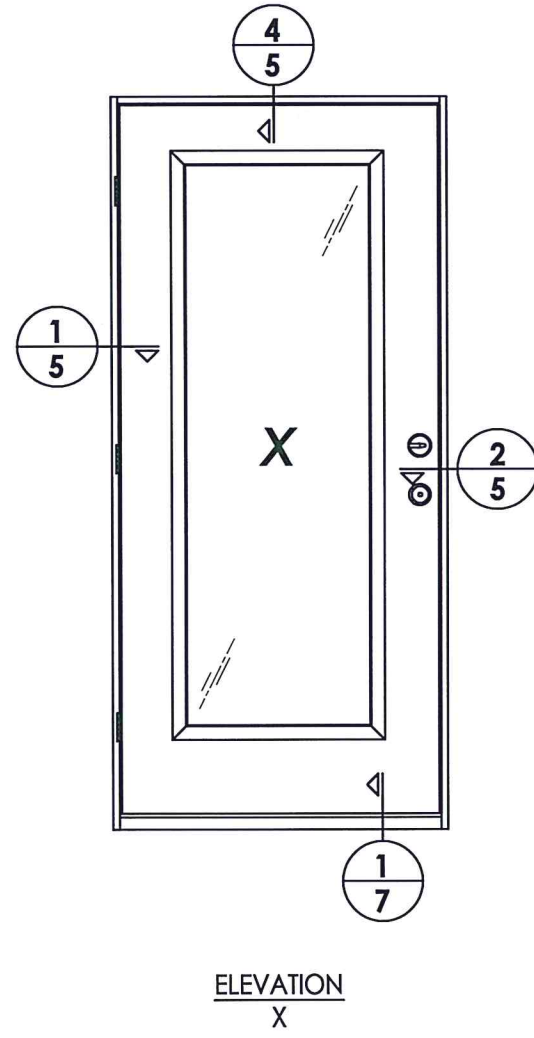
PRODUCT:	DOORSCAPES STEEL DOOR
PART OR ASSEMBLY:	SIDELITE PANEL & GLAZING DETAILS

NO.	DATE	DESCRIPTION	BY
1	10/28/21	UPDATE TO 2018 IBC/IRC CODE	LFS

DATE:	5/06/19
SCALE:	N.T.S.
DWG. BY:	MT
CHK. BY:	LFS
DRAWING NO.:	TX-4932
SHEET	3 OF 9

© 2019 R.W. BUILDING CONSULTANTS INC.

STEEL SKIN: 0.020" MIN. THK.
FOAM CORE: POLYSTYRENE - 2 PCF MIN.



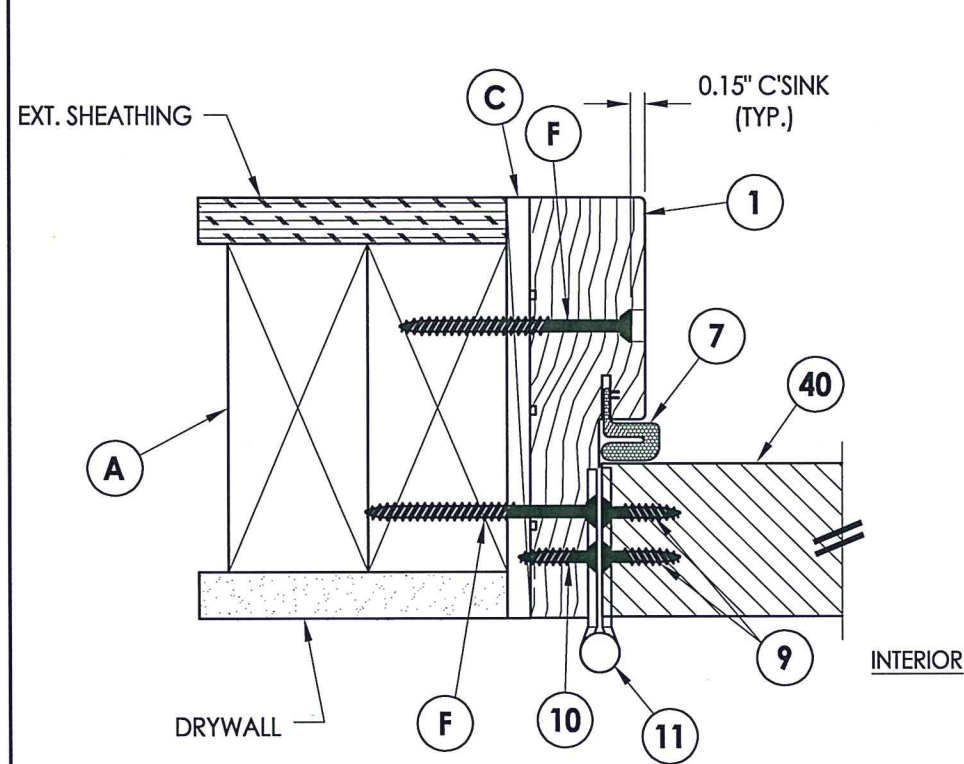
Documents Prepared By: Lyndon F. Schmidt, P.E.
TEXAS P.E. #104123

RW BUILDING CONSULTANTS, INC.
P.O. Box 230 Valrico FL 33595
Phone No.: 813.659.9197

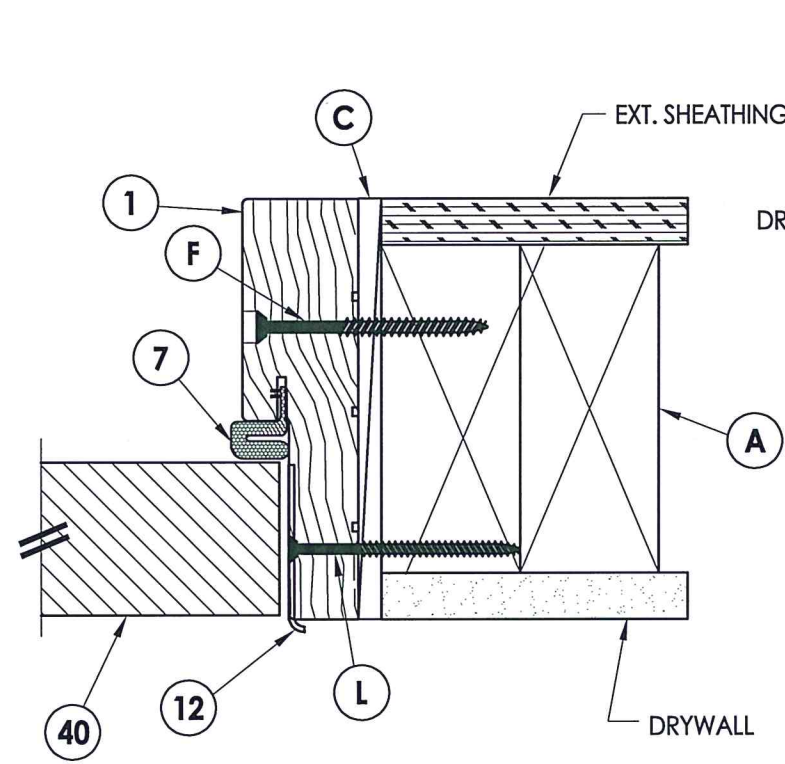
TEXAS BOARD OF PROFESSIONAL ENGINEERS
CERTIFICATE OF REGISTRATION # F-11852

PRODUCT: DOORSCAPES STEEL DOOR	
PART OR ASSEMBLY: ELEVATIONS	
NO.	DATE
1	10/28/21
REVISIONS	
DATE: 5/06/19	
SCALE: N.T.S.	
DWG. BY: MT	
CHK. BY: LFS	
DRAWING NO.: TX-4932	
SHEET 4 of 9	

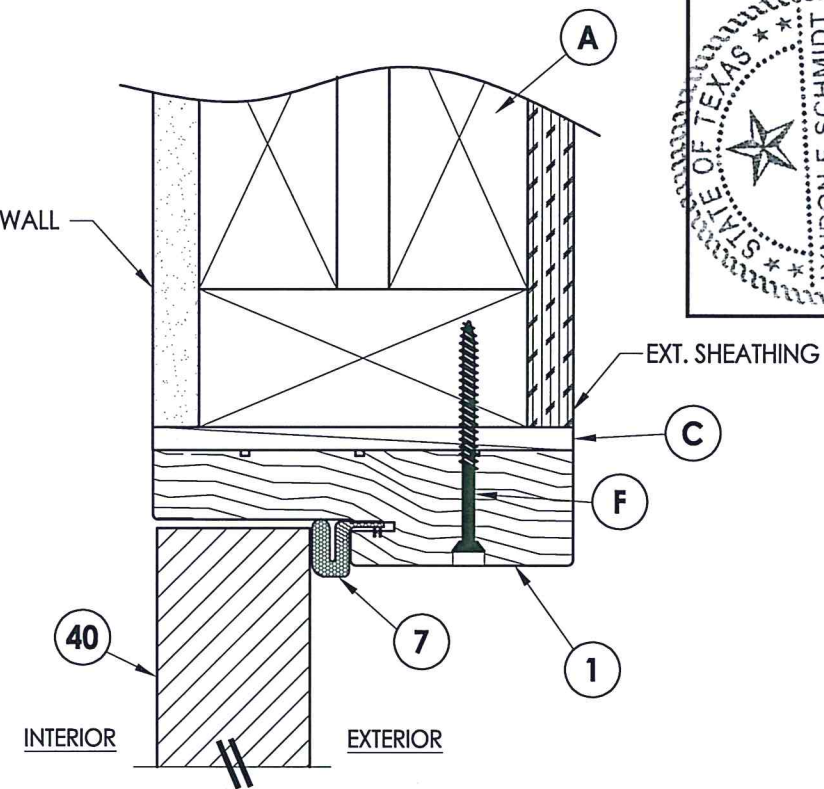
Z:\Clients\Doorscapes\B - Texas Dept of Ins\TDI - DR 1059 Steel Non-Impact\C - Drawings\TX-4932-33.dwg



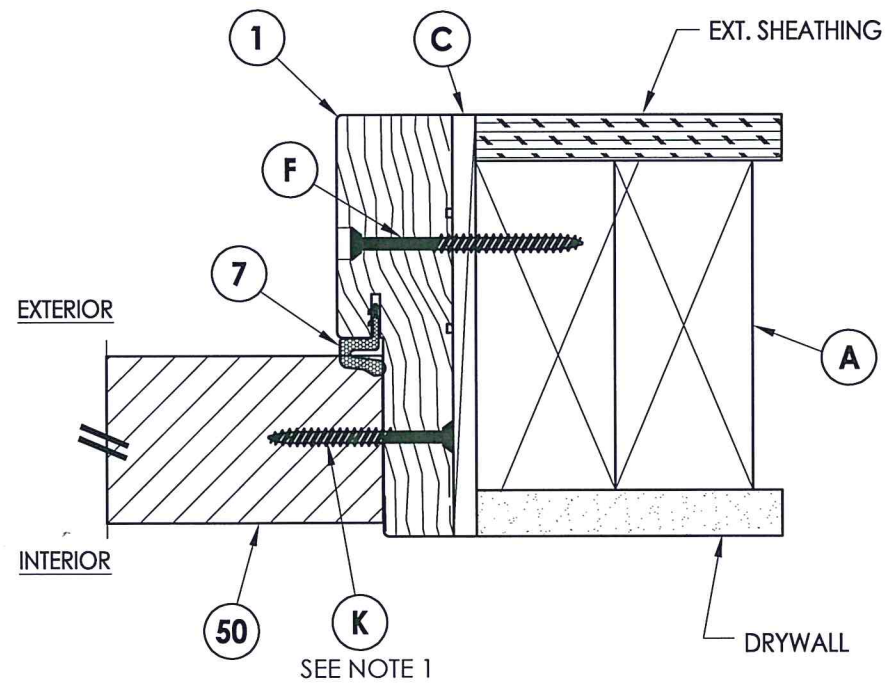
1
5 HORIZONTAL CROSS SECTION



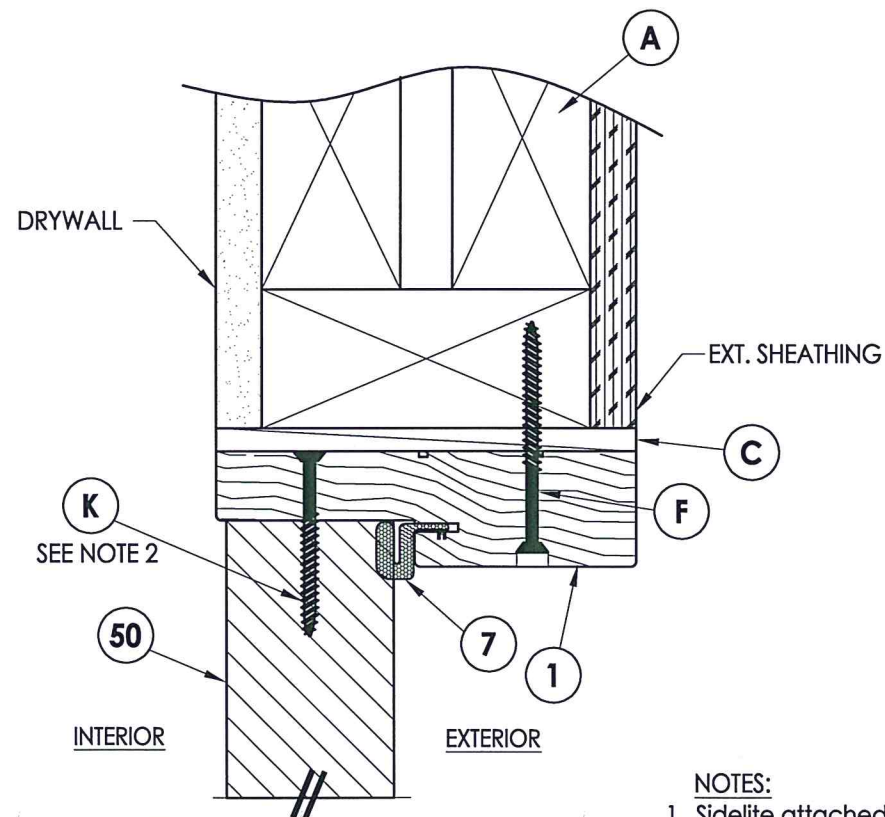
2
5 HORIZONTAL CROSS SECTION



4
5 VERTICAL CROSS SECTION



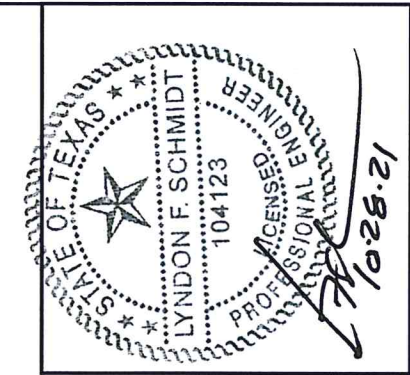
3
5 HORIZONTAL CROSS SECTION



5
5 VERTICAL CROSS SECTION

NOTES:

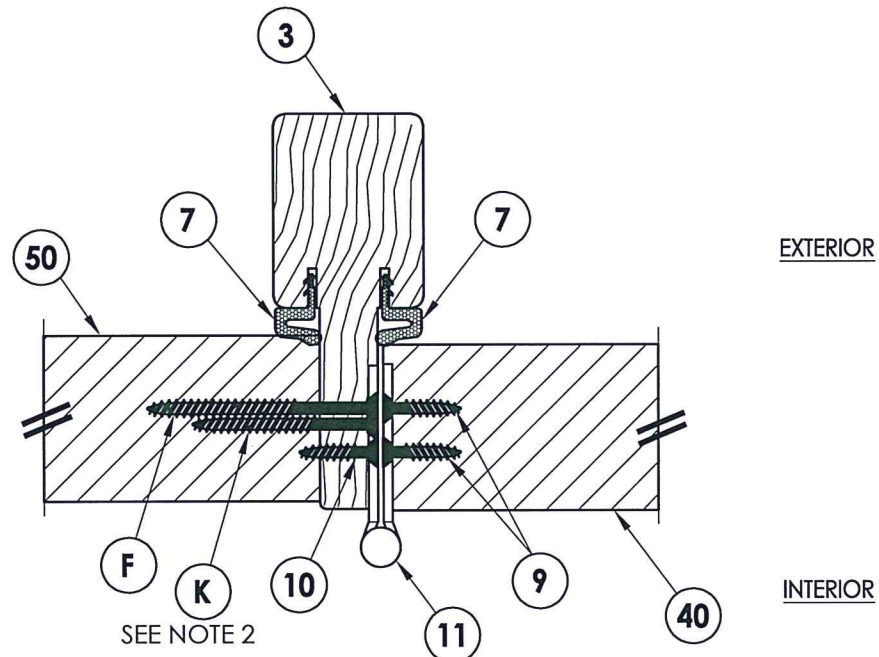
- Sidelite attached @ 6" from each end plus 4 more screws equally spaced between (6 screws total per jamb).
- Sidelite attached @ 3" from each end (2 screws total @ head).



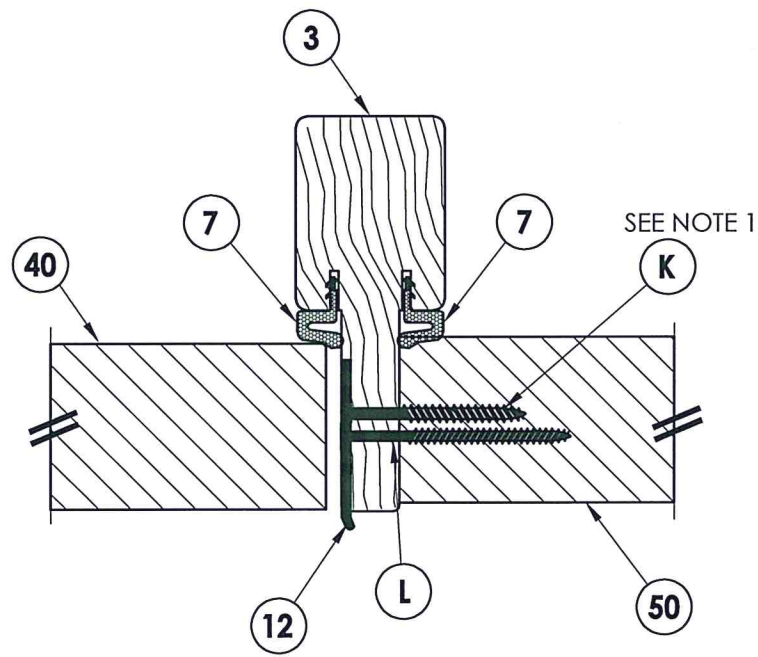
Documents Prepared By: Lyndon F. Schmidt, P.E.
TEXAS P.E. #104123

RW BUILDING CONSULTANTS, INC.
P.O. Box 230 Valrico FL 33595
Phone No.: 813.659.9197
TEXAS BOARD OF PROFESSIONAL ENGINEERS
CERTIFICATE OF REGISTRATION # F-11852

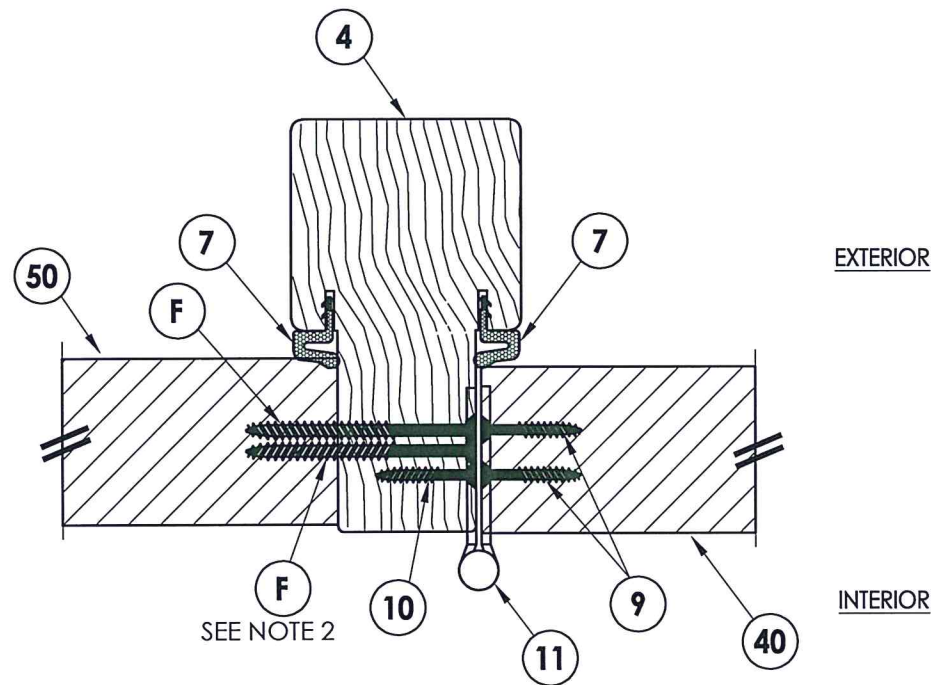
PRODUCT:		DOORSCAPES STEEL DOOR	
PART OR ASSEMBLY:		HORIZONTAL & VERTICAL CROSS SECTIONS	
NO.	DATE	IBC/IRC CODE	BY
1	10/28/21	UPDATE TO 2018	LFS
DATE:		5/06/19	
SCALE:		N.T.S.	
DWG. BY:		MT	
CHK. BY:		LFS	
DRAWING NO.:		TX-4932	
SHEET		5 of 9	



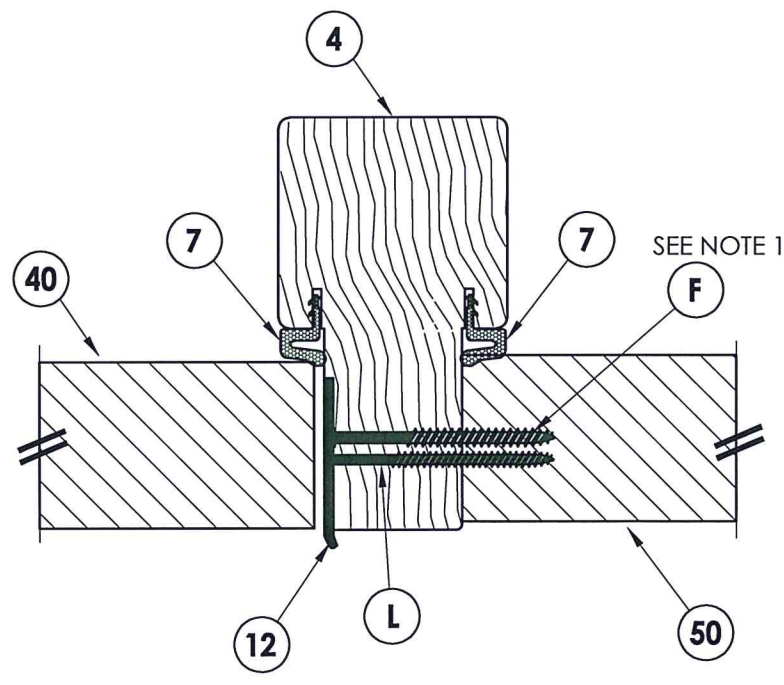
1 **HORIZONTAL CROSS SECTION**
6 Shown w/ 1.625" Wide Mullion



2 **HORIZONTAL CROSS SECTION**
6 Shown w/ 1.625" Wide Mullion



3 **HORIZONTAL CROSS SECTION**
6 Shown w/ 2.5" Wide Mullion



4 **HORIZONTAL CROSS SECTION**
6 Shown w/ 2.5" Wide Mullion

NOTES:

- Sidelite attached @ 6" from each end plus 4 more screws equally spaced between (6 screws total per jamb).
- Sidelite attached w/ 1 screw equally spaced between each hinge (2 screws total per mullion).



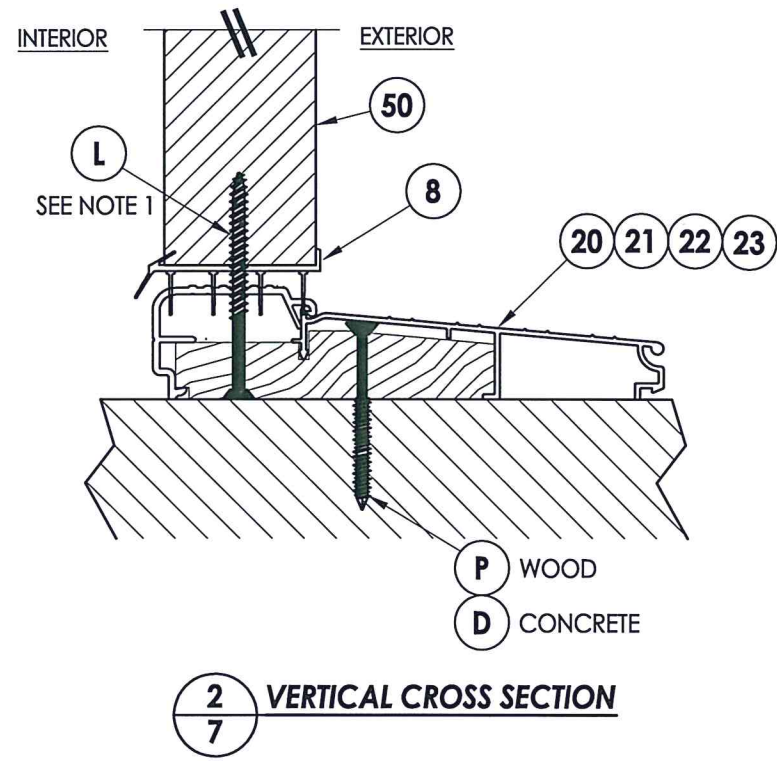
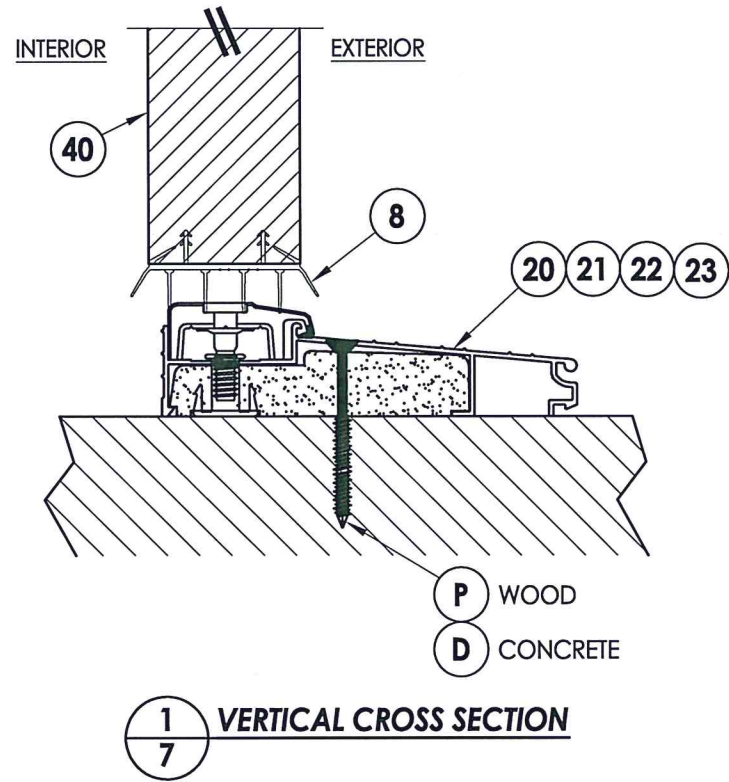
Documents Prepared By: Lyndon F. Schmidt, P.E.
 TEXAS P.E. #104123

RW BUILDING CONSULTANTS, INC.
 P.O. Box 230 Vairico FL 33595
 Phone No.: 813.659.9197
 TEXAS BOARD OF PROFESSIONAL ENGINEERS
 CERTIFICATE OF REGISTRATION # F-11852

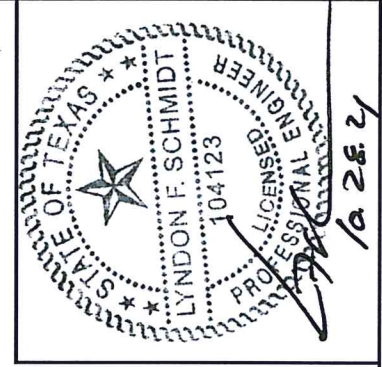
PRODUCT: DOORSCAPES
 STEEL DOOR
 PART OR ASSEMBLY:
 HORIZONTAL CROSS
 SECTIONS

NO.	DATE	REVISIONS
1	10/28/21	UPDATE TO 2018 IBC/IRC CODE
		LFS
		BY

DATE: 5/06/19
 SCALE: N.T.S.
 DWG. BY: MT
 CHK. BY: LFS
 DRAWING NO.: TX-4932
 SHEET 6 OF 9



NOTE:
1. Sidelite attached @ 3" from each end (2 screws total @ sill).



Documents Prepared By: Lyndon F. Schmidt, P.E.
TEXAS P.E. #104123

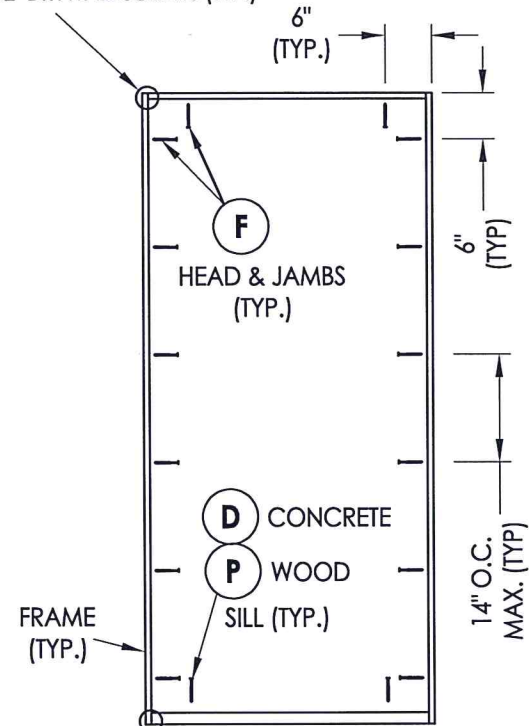
RW BUILDING CONSULTANTS, INC.
P.O. Box 230 Valrico FL, 33595
Phone No.: 813.659.9197

TEXAS BOARD OF PROFESSIONAL ENGINEERS
CERTIFICATE OF REGISTRATION # F-11852

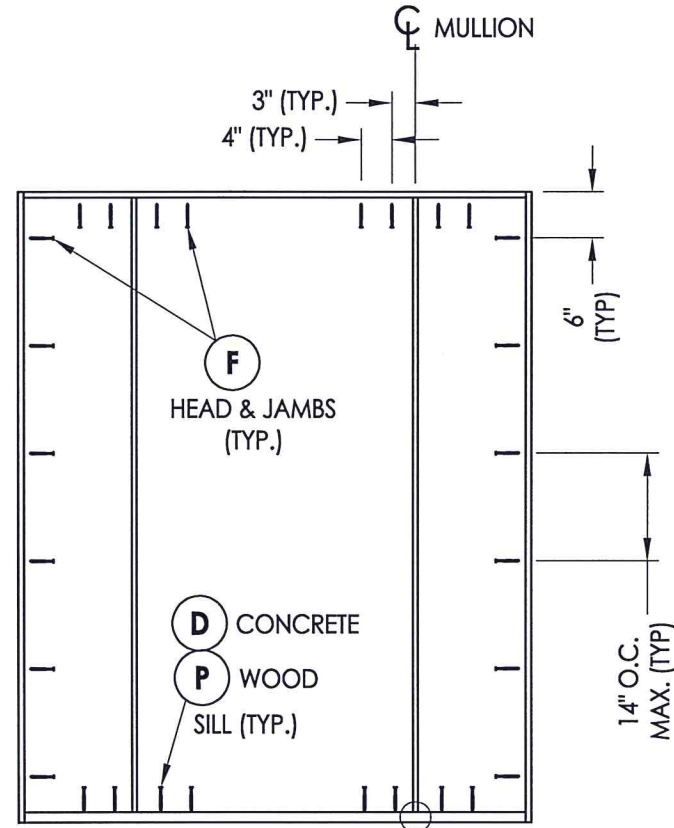
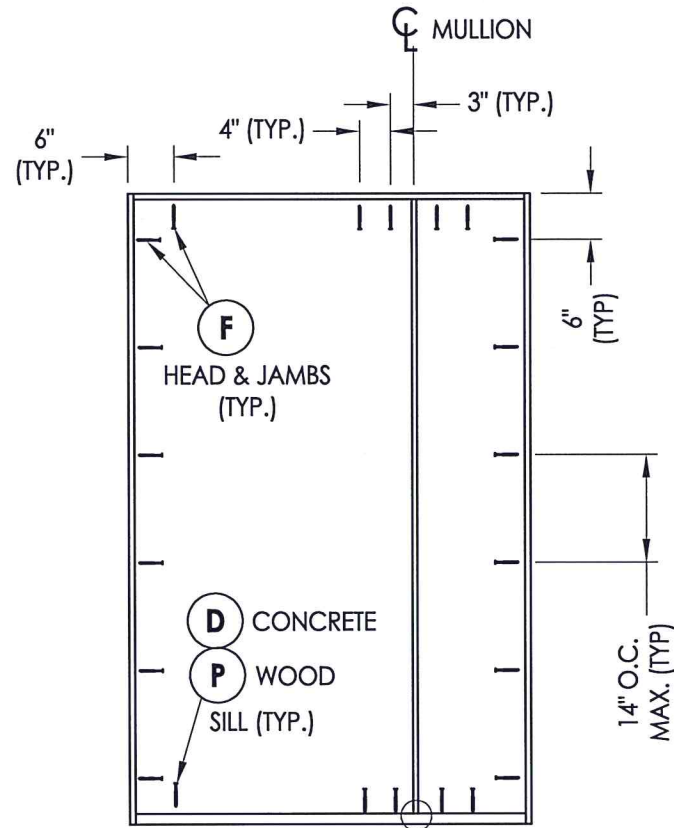
PRODUCT:		DOORSCAPES STEEL DOOR	
PART OR ASSEMBLY:		VERTICAL CROSS SECTIONS	
NO.	DATE	DESCRIPTION	BY
1	10/28/21	UPDATE TO 2018 IBC/IRC CODE	LFS
			REVISIONS
DATE: 5/06/19			
SCALE: N.T.S.			
DWG. BY: MT			
CHK. BY: LFS			
DRAWING NO.: TX-4932			
SHEET 7 OF 9			

Z:\Clients\Doorscapes\B - Texas Dept of Ins\TDI - DR 1059 Steel Non-Impact\C - Drawings\TX-4932-33.dwg

THE HEAD IS ATTACHED TO THE JAMB
w/ (4) #7 X 2" DRYWALL SCREWS (TYP.)



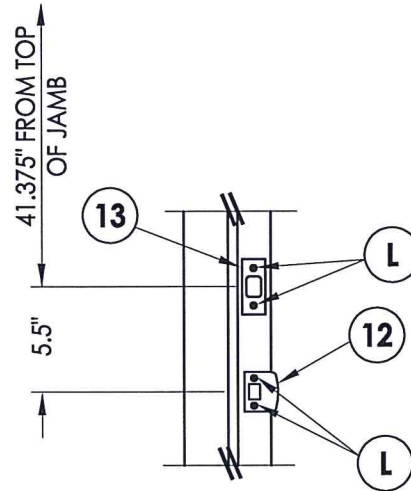
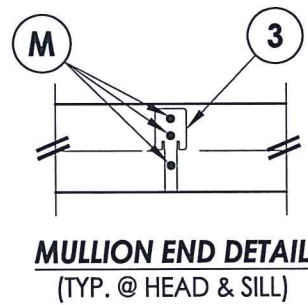
THE THRESHOLD IS ATTACHED TO THE JAMB
w/ (4) 7/16" X 2" STEEL CROWN STAPLES (TYP.)



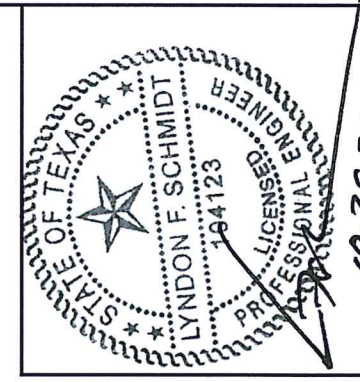
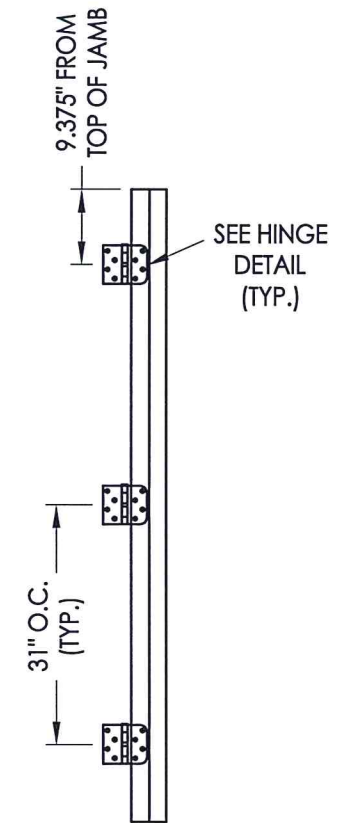
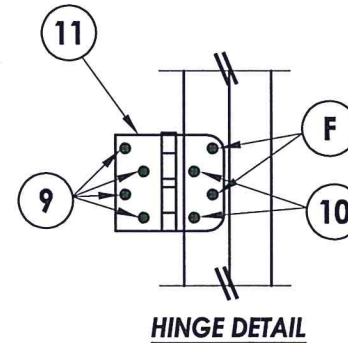
XO/OX SEE MULLION END
DETAIL (TYP.)

OXO SEE MULLION END
DETAIL (TYP.)

FRAME ANCHORING



LATCH & DEADBOLT STRIKE DETAILS



Documents Prepared By: Lyndon F. Schmidt, P.E.
TEXAS P.E. #104123

RW BUILDING CONSULTANTS, INC.
P.O. Box 230 Valrico FL 33595
Phone No.: 813.659.9197

TEXAS BOARD OF PROFESSIONAL ENGINEERS
CERTIFICATE OF REGISTRATION # F-11852

PRODUCT:	DOORSCAPES STEEL DOOR
PART OR ASSEMBLY:	FRAME ANCHORING & HARDWARE DETAILS

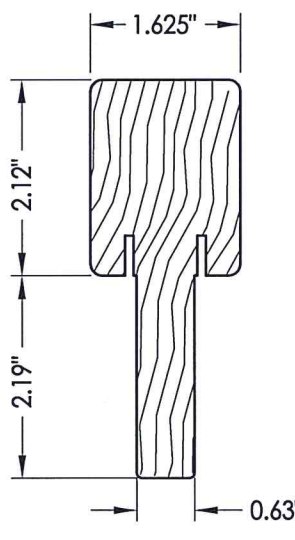
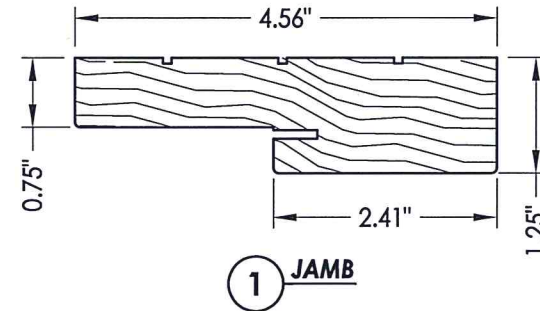
NO.	DATE	REVISIONS
1	10/28/21	UPDATE TO 2018 IBC/IRC CODE
		LFS BY

DATE:	5/06/19
SCALE:	N.T.S.
DWG. BY:	MT
CHK. BY:	LFS
DRAWING NO.:	TX-4932
SHEET	8 OF 9

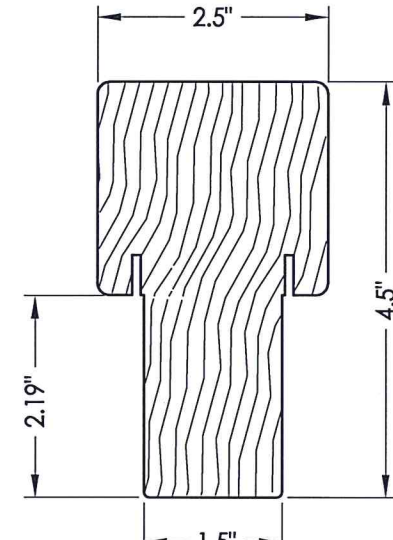
Z:\Clients\Doorscapes\B - Texas Dept of Ins\TDI - DR 1059 Steel Non-Impact\C - Drawings\TX-4932-33.dwg

BILL OF MATERIALS

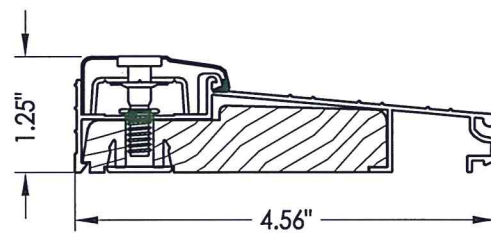
ITEM #	DESCRIPTION	MATERIAL
A	2X FRAMING (G >= 0.42)	WOOD
C	1/4" MAX. SHIM SPACE	-
D	1/4" Ø PFH DeWALT OR ITW CONCRETE SCREW (1-3/4" MIN. EMBEDMENT)	STEEL
F	#10 X 2-1/2" PFH WOOD SCREW (1.15" MIN. EMBEDMENT)	STEEL
K	#10 X 2" PFH WOOD SCREW	STEEL
L	#8 X 2-1/2" PFH WOOD SCREW	STEEL
M	#7 X 2-1/2" DRYWALL SCREW	STEEL
P	#10 PFH WOOD SCREW (1-1/2" MIN. EMB.)	STEEL
1	FINGER JOINT PINE JAMB (G >= 0.42)	WOOD
3	INTEGRAL MULLION - 1.625" WIDE (PINE, G >= 0.42)	WOOD
4	INTEGRAL MULLION - 2.5" WIDE (PINE, G >= 0.42)	WOOD
7	WEATHERSTRIP	FOAM
8	DOOR/SIDELITE BOTTOM SWEEP	VINYL
9	#9 X 1" PFH WOOD SCREW	STEEL
10	#10 X 3/4" PFH WOOD SCREW	STEEL
11	4" X 4" BUTT HINGE	STEEL
12	LATCH STRIKE PLATE	STEEL
13	DEADBOLT STRIKE PLATE	STEEL
20	INSWING THRESHOLD (AFCO A-125)	ALUM/WOOD
21	INSWING THRESHOLD (AFCO A-125)	ALUM/COMP
22	INSWING THRESHOLD (AFCO A-276)	ALUM/WOOD
23	INSWING THRESHOLD (AFCO A-280)	ALUM/WOOD
40	DOOR PANEL - SEE DOOR PANEL DETAIL SHEET FOR DETAILS	-
50	SIDELITE PANEL - SEE SIDELITE PANEL DETAIL SHEET FOR DETAILS	-



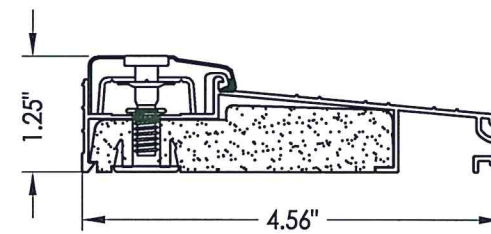
3 INTEGRAL MULLION
1.625" WIDTH



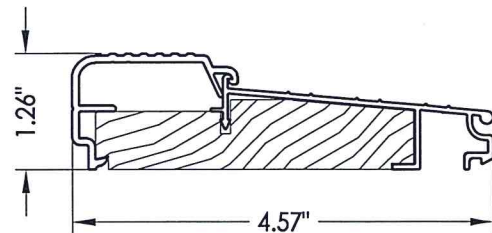
4 INTEGRAL MULLION
2.5" WIDTH



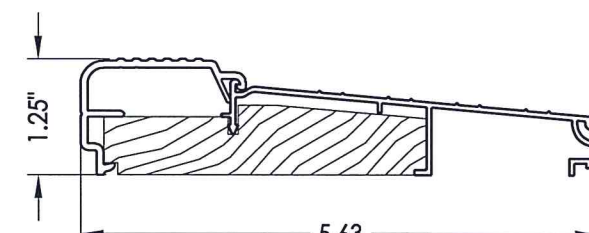
20 INSWING ADJUSTABLE THRESHOLD



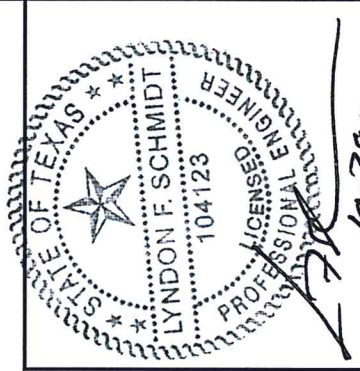
21 INSWING ADJUSTABLE THRESHOLD



22 INSWING FIXED THRESHOLD



23 INSWING FIXED THRESHOLD



Documents Prepared By: Lyndon F. Schmidt, P.E.
TEXAS P.E. #104123

RW BUILDING CONSULTANTS, INC.
P.O. Box 230 Valrico FL, 33595
Phone No.: 813.659.9197

TEXAS BOARD OF PROFESSIONAL ENGINEERS
CERTIFICATE OF REGISTRATION # F-11852

PRODUCT: DOORSCAPES
STEEL DOOR

PART OR ASSEMBLY:
BILL OF MATERIALS
& COMPONENTS

NO.	DATE	DESCRIPTION	LFS	BY
1	10/28/21	UPDATE TO 2018 IBC/IRC CODE		

REVISIONS

DATE: 5/06/19
SCALE: N.T.S.
DWG. BY: MT
CHK. BY: LFS
DRAWING NO.: TX-4932
SHEET 9 OF 9

CONCRETE ANCHOR NOTES:

- Concrete anchor locations at the corners may be adjusted to maintain the min. edge distance to mortar joints.
- Concrete anchor locations noted as "MAX. ON CENTER" must be adjusted to maintain the min. edge distance to mortar joints, additional concrete anchors may be required to ensure the "MAX. ON CENTER" dimension are not exceeded.
- Concrete anchor table:

ANCHOR TYPE	ANCHOR SIZE	MIN. EMBEDMENT	MIN. CLEARANCE TO MASONRY EDGE	MIN. CLEARANCE TO ADJACENT ANCHOR
ITW BUILDEX TAPCON®	1/4"	1-3/4"	2"	4"
DeWALT ULTRACON®	1/4"	1-3/4"	1"	4"

WOOD SCREW INSTALLATION NOTES:

- Maintain a minimum 5/8" edge distance, 1" end distance, & 1" o.c. spacing of wood screws to prevent the splitting of wood.