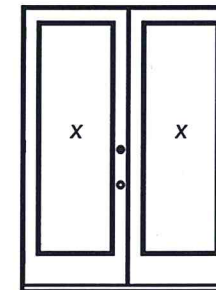
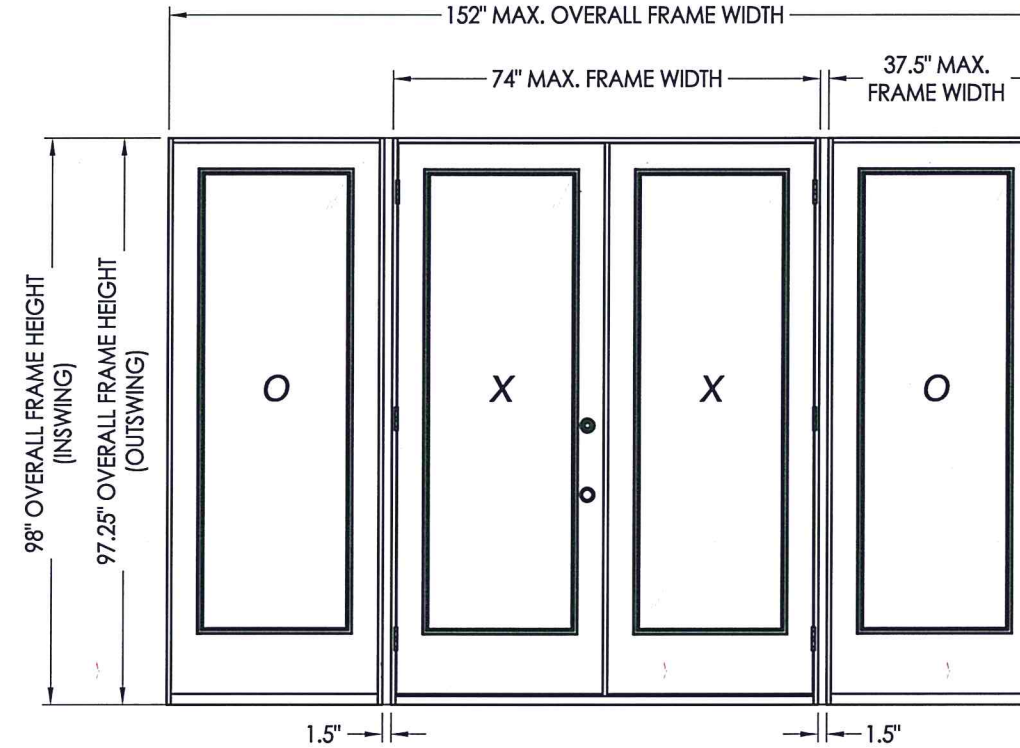


plastpro

5200 W. CENTURY BLVD.
LOS ANGELES, CA 90045

DIRECT GLAZED FIBERGLASS DOORS DOUBLES w/ or w/out SIDELITES INSWING / OUTSWING "NON-IMPACT"



XX

CONFIGURATION	MAX. FRAME DIMENSION	ASTRAGAL	JAMB REINFORCEMENT	DESIGN PRESSURE (PSF) INSWING		DESIGN PRESSURE (PSF) OUTSWING	
				POSITIVE	NEGATIVE	POSITIVE	NEGATIVE
XX	74.0" x 98.0"	ENDURA	N/A	+40.0	-40.0	+40.0	-40.0
OXXO	149.0" x 98.0"	ENDURA	N/A	+30.0	-40.0	+35.0	-35.0
	152.0" x 98.0"	ENDURA	2X	+40.0	-40.0	+40.0	-40.0

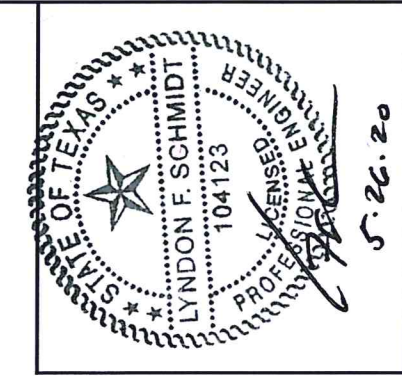
EVALUATED FOR USE IN THE STATE OF TEXAS

The Fiberglass Door system described herein complies with the 2018 International Residential Code (IRC), Sections R301 & R609 and the 2018 International Building Code (IBC), Sections 1404.13, 1609, 1709.5, 2403 and 2404 subject to the following conditions:

1. Anchors shall be as listed and spaced as shown in the details. Anchor embedment to base material shall be beyond wall dressing or stucco.
2. When used in areas requiring wind-borne debris protection this product is required to be protected with an impact resistant covering that complies with Section R301.2.1.2 of the IRC and Section 1609.1.2 of the IBC.
3. Allowable design pressure requirements must be equal to or less than the design pressure rating shown in the design pressure chart, sheet 1 of this drawing.
4. Conditions not covered by this drawing are subject to further engineering analysis.

TABLE OF CONTENTS

SHEET #	DESCRIPTION
1	Typical elevations, design pressures & general notes
2	Door & Sidelite panel details
3	Elevations
4	Horizontal & Vertical Cross Sections
5	Vertical Cross Sections
6	Frame anchoring & Hardware details
7	Bill of materials & components



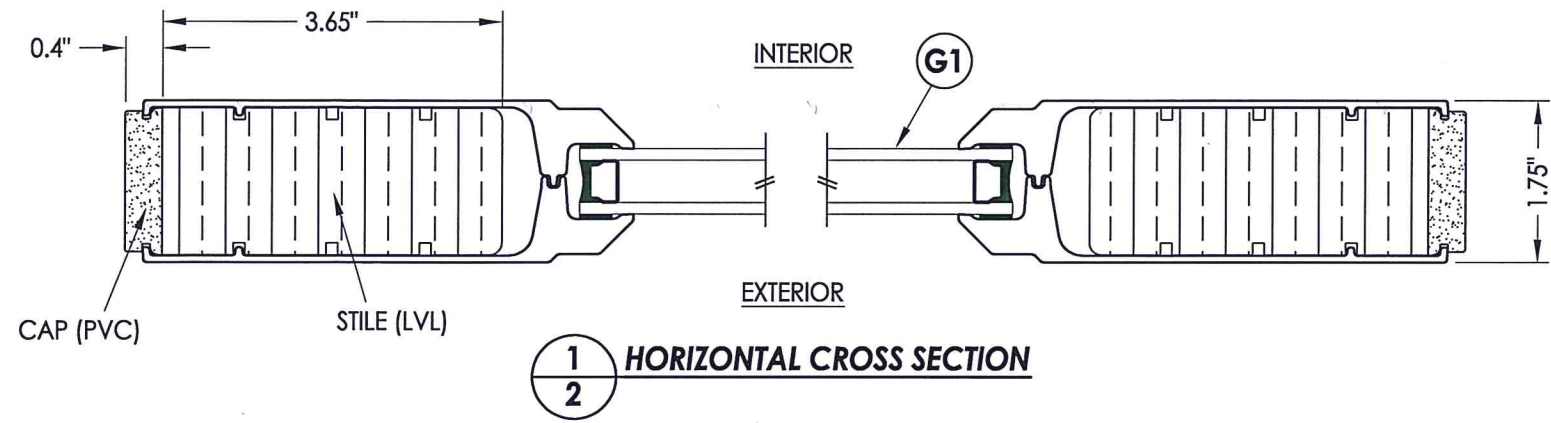
Documents Prepared By: Lyndon F. Schmidt, P.E.
TEXAS P.E. #104123

RW BUILDING CONSULTANTS, INC.
P.O. Box 230 Valrico FL 33595
Phone No.: 813.659.9197
TEXAS BOARD OF PROFESSIONAL ENGINEERS
CERTIFICATE OF REGISTRATION # F-11852

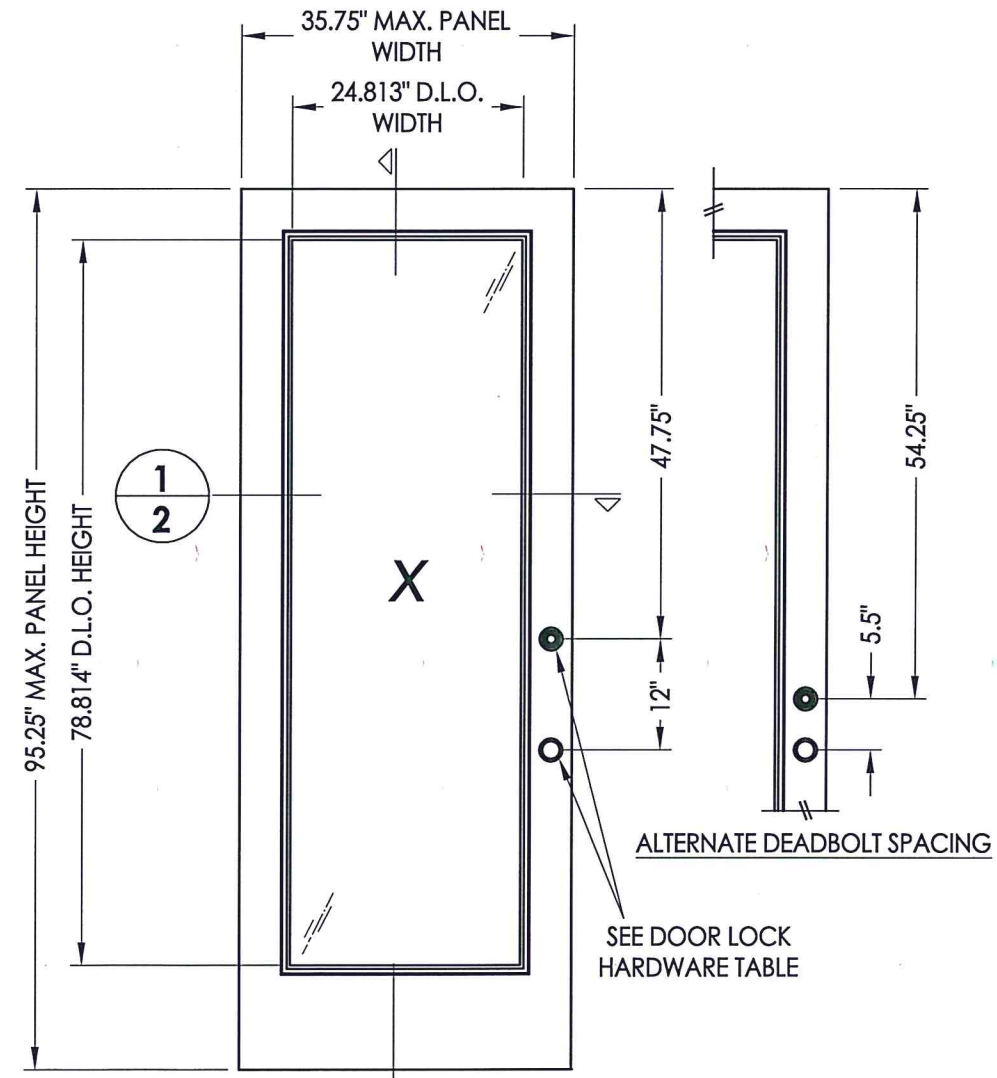
PRODUCT: PLASTPRO INC. FIBERGLASS DOOR
PART OR ASSEMBLY: TYPICAL ELEVATION, DESIGN PRESSURES & GENERAL NOTES

NO.	DATE	BY	REVISIONS
1	5/26/20	LFS	UPDATE TO 2018 IBC/IRC CODE

DATE: 4/29/19
SCALE: N.T.S.
DWG. BY: MT
CHK. BY: LFS
DRAWING NO.: TX-4924
SHEET 1 OF 7

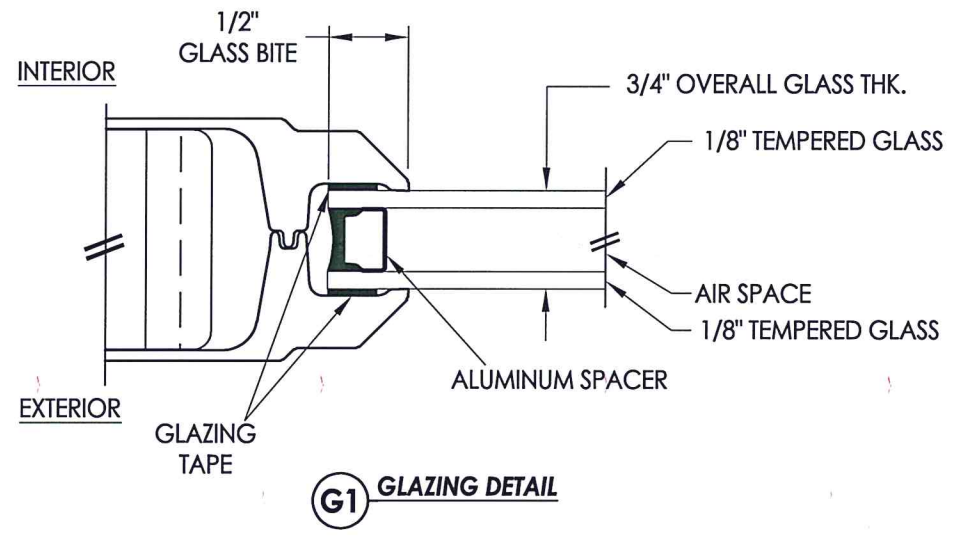


1
2 **HORIZONTAL CROSS SECTION**



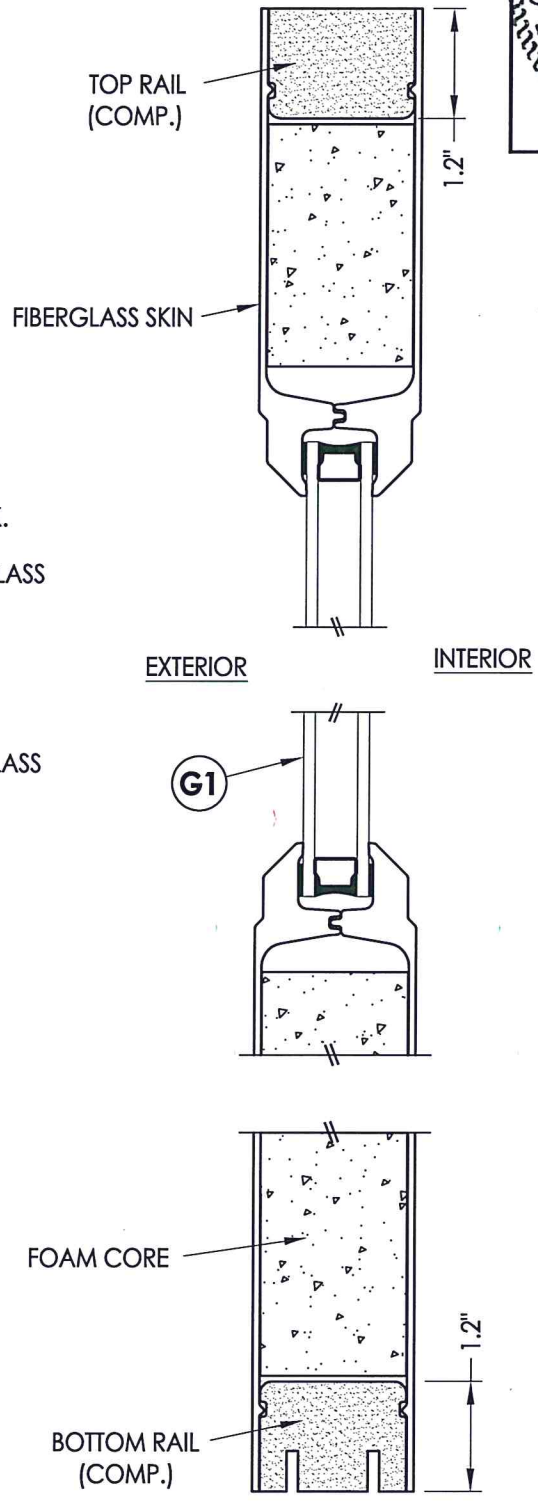
- 40 PLASTPRO DOOR PANEL
- 50 PLASTPRO SIDELITE PANEL

FIBERGLASS SKIN: 0.075" MIN. THK.
FOAM CORE: XPS FOAM (1.3 PCF MIN. DENSITY)

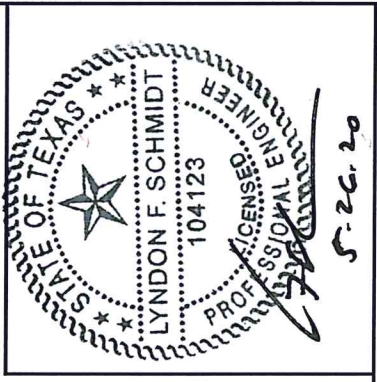


G1 **GLAZING DETAIL**

HARDWARE TABLE				
MANUFACTURER	MODEL	DEADBOLT SPACING	MAX. DESIGN PRESSURE (PSF)	
			INSWING	OUTSWING
KWIKSET	KNOB: SIGNATURE SERIES	5.5"	+30/-40	+35/-35
	DEADBOLT: SIGNATURE SERIES (980)	12"	+40/-40	+40/-40



2
2 **VERTICAL CROSS SECTION**



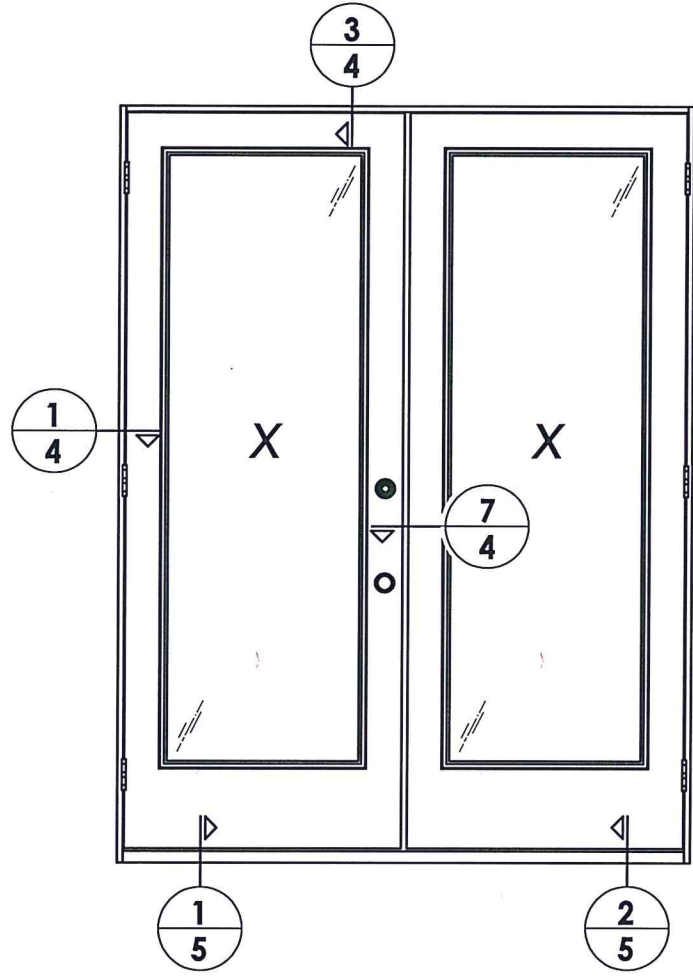
Documents Prepared By: Lyndon F. Schmidt, P.E.
TEXAS P.E. #104123

RW BUILDING CONSULTANTS, INC.
P.O. Box 230 Valrico FL, 33595
Phone No.: 813.659.9197

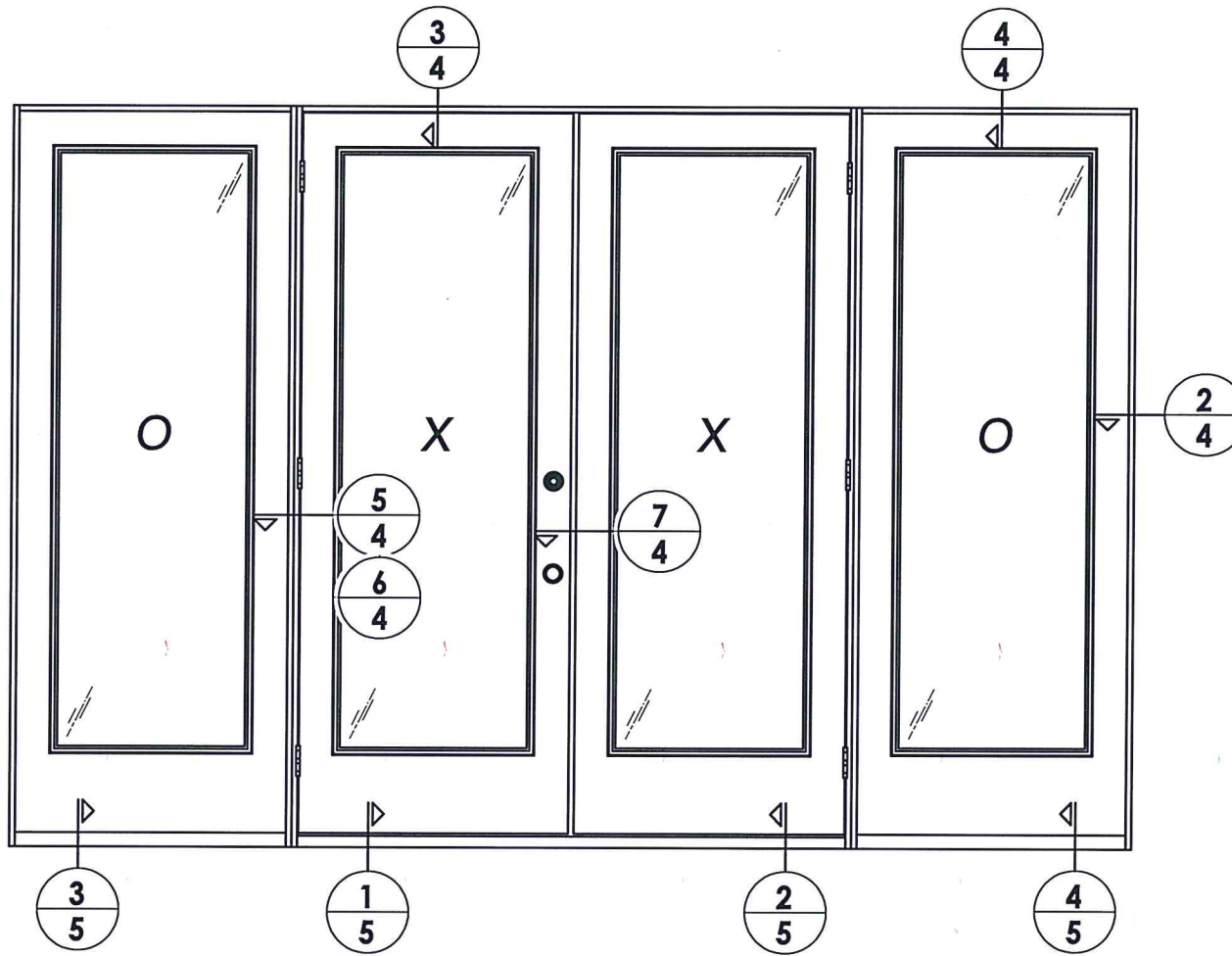
TEXAS BOARD OF PROFESSIONAL ENGINEERS
CERTIFICATE OF REGISTRATION # F-11852

PRODUCT:	PLASTPRO INC. FIBERGLASS DOOR			
PART OR ASSEMBLY:	DOOR & SIDELITE PANEL DETAILS			
NO.	DATE	UPDATE TO 2018 IBC/IRC CODE	LFS	BY
1	5/26/20			
REVISIONS				

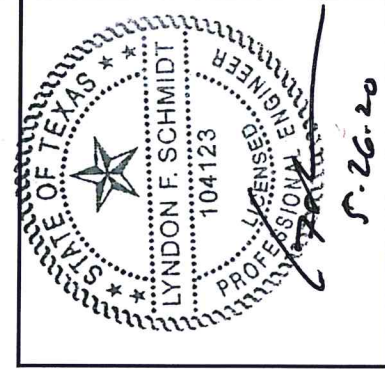
DATE: 4/29/19
SCALE: N.T.S.
DWG. BY: MT
CHK. BY: LFS
DRAWING NO.: TX-4924
SHEET 2 OF 7



ELEVATION
XX



ELEVATION
OXXO



Documents Prepared By: Lyndon F. Schmidt, P.E.
TEXAS P.E. #104123

RW BUILDING CONSULTANTS, INC.
P.O. Box 230 Valrico FL 33595
Phone No.: 813.659.9197

TEXAS BOARD OF PROFESSIONAL ENGINEERS
CERTIFICATE OF REGISTRATION # F-11852

PRODUCT: PLASTPRO INC. FIBERGLASS DOOR
PART OR ASSEMBLY: ELEVATIONS

NO.	DATE	DESCRIPTION	LFS	BY
1	5/26/20	UPDATE TO 2018 IBC/IRC CODE	LFS	BY

DATE: 4/29/19

SCALE: N.T.S.

DWG. BY: MT

CHK. BY: LFS

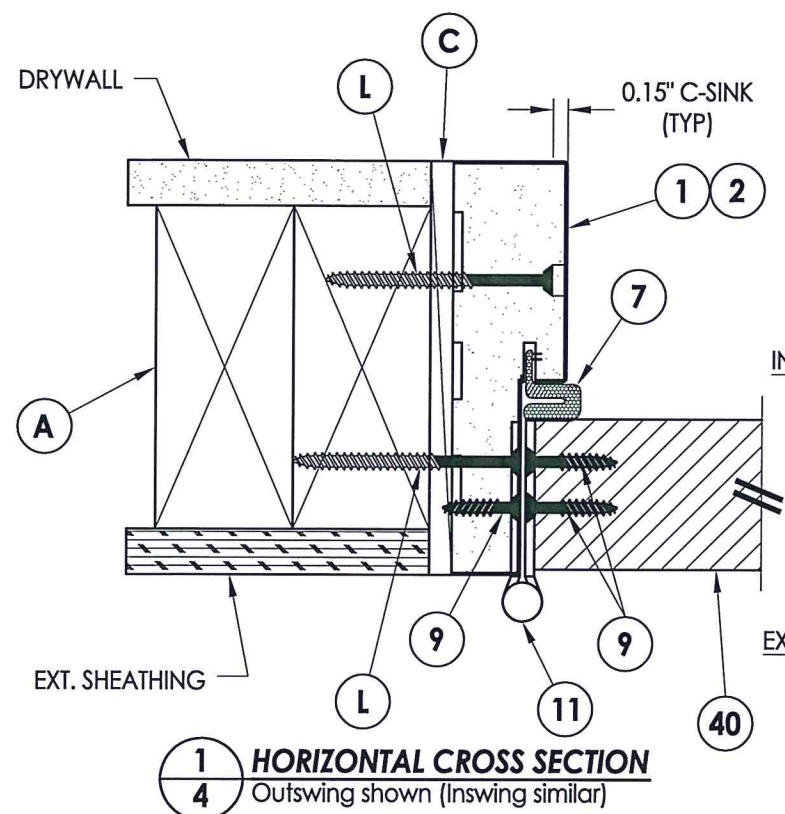
DRAWING NO.:

TX-4924

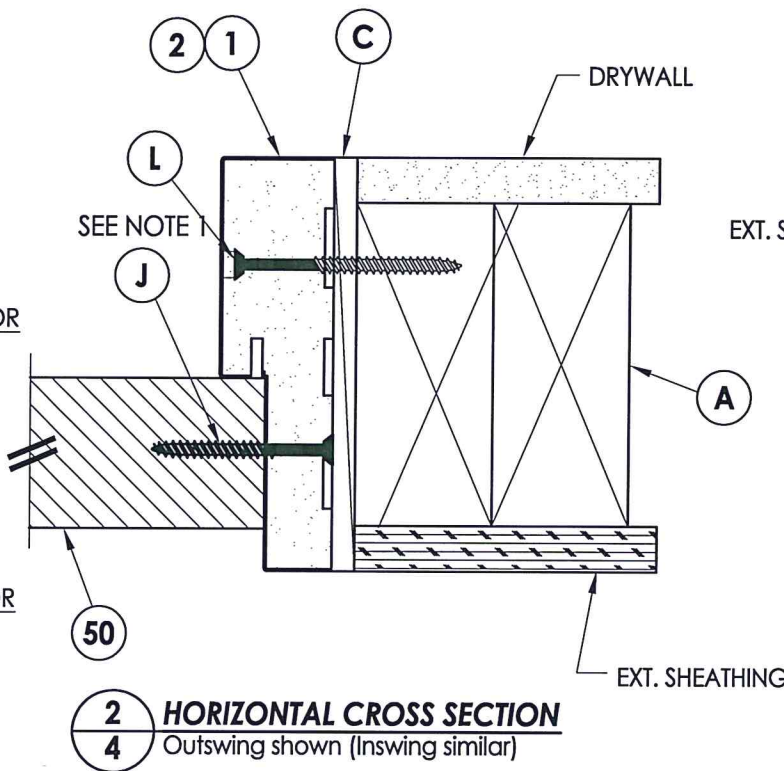
SHEET 3 OF 7

REVISIONS

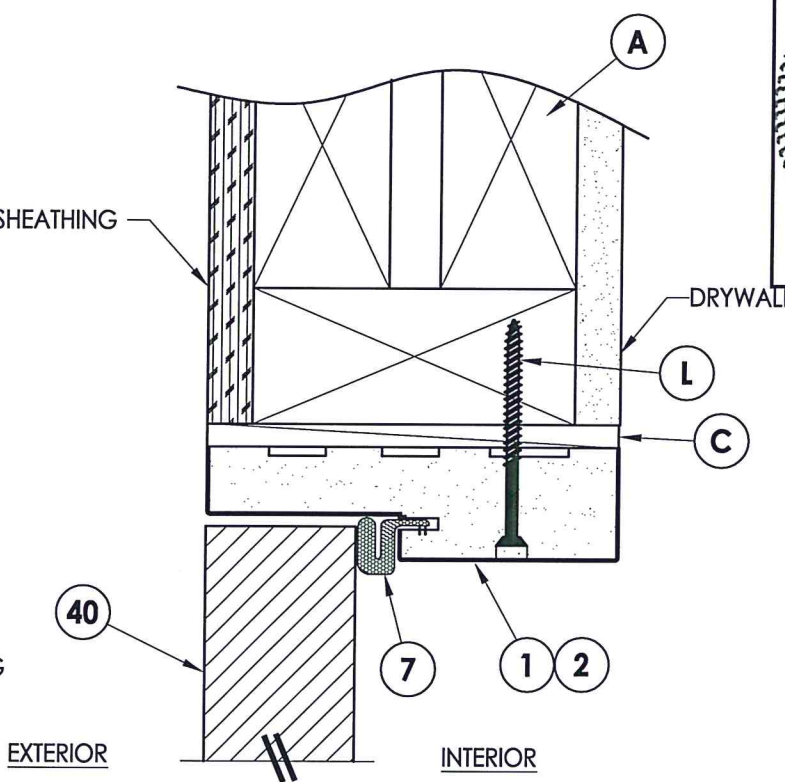
R:\Clients\Plastpro, Inc PERMANENT\B - TD\TDI - DR 1057 Direct Glazed Non-Impact\C - Drawings\TX-4924.dwg, 4.3



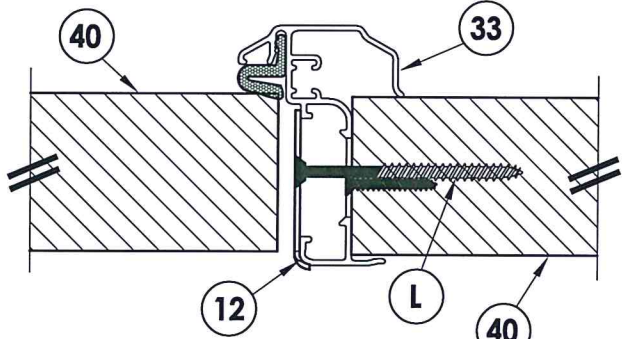
1 HORIZONTAL CROSS SECTION
4 Outswing shown (Inswing similar)



2 HORIZONTAL CROSS SECTION
4 Outswing shown (Inswing similar)

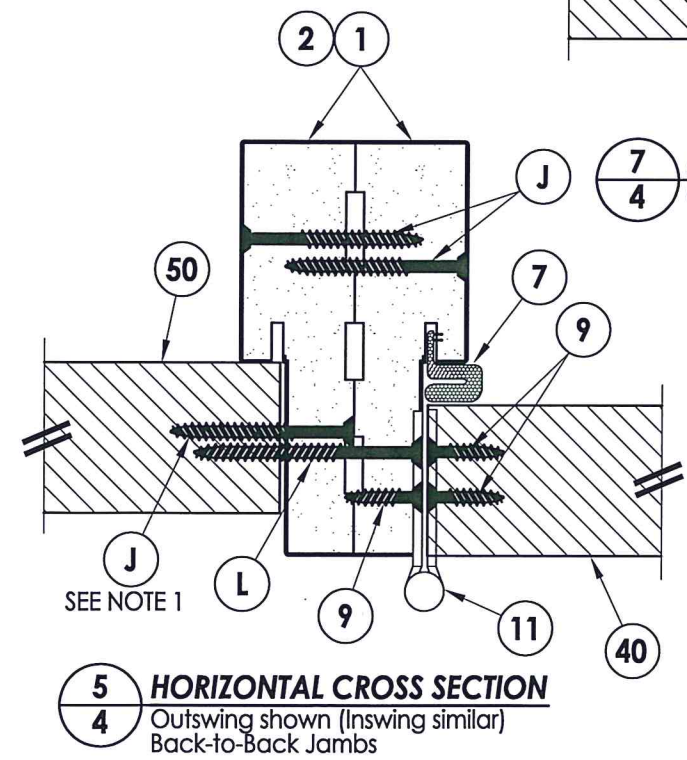


3 VERTICAL CROSS SECTION
4 Outswing shown (Inswing similar)

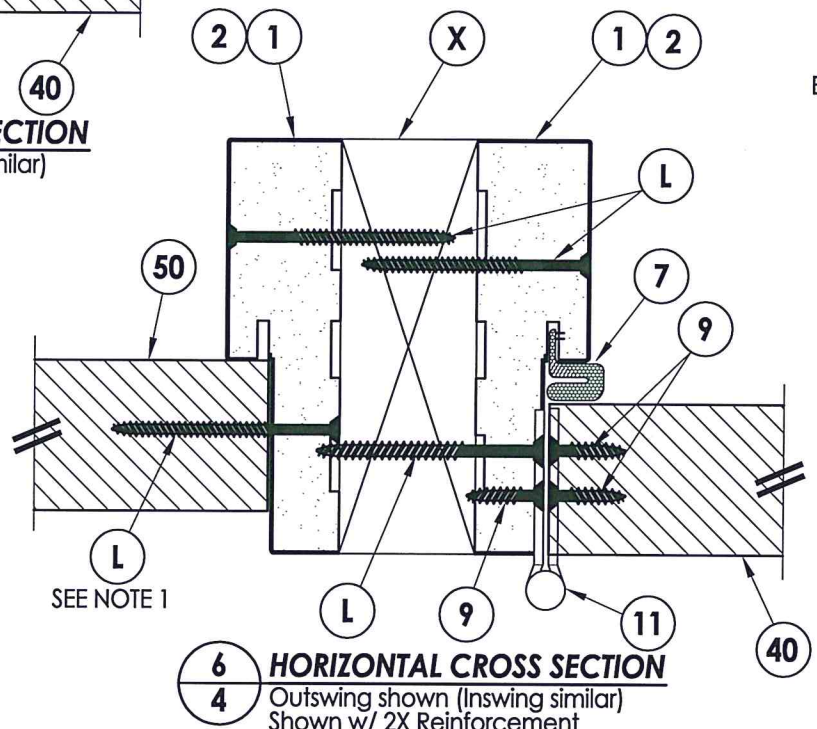


7 HORIZONTAL CROSS SECTION
4 Outswing shown (Inswing similar)

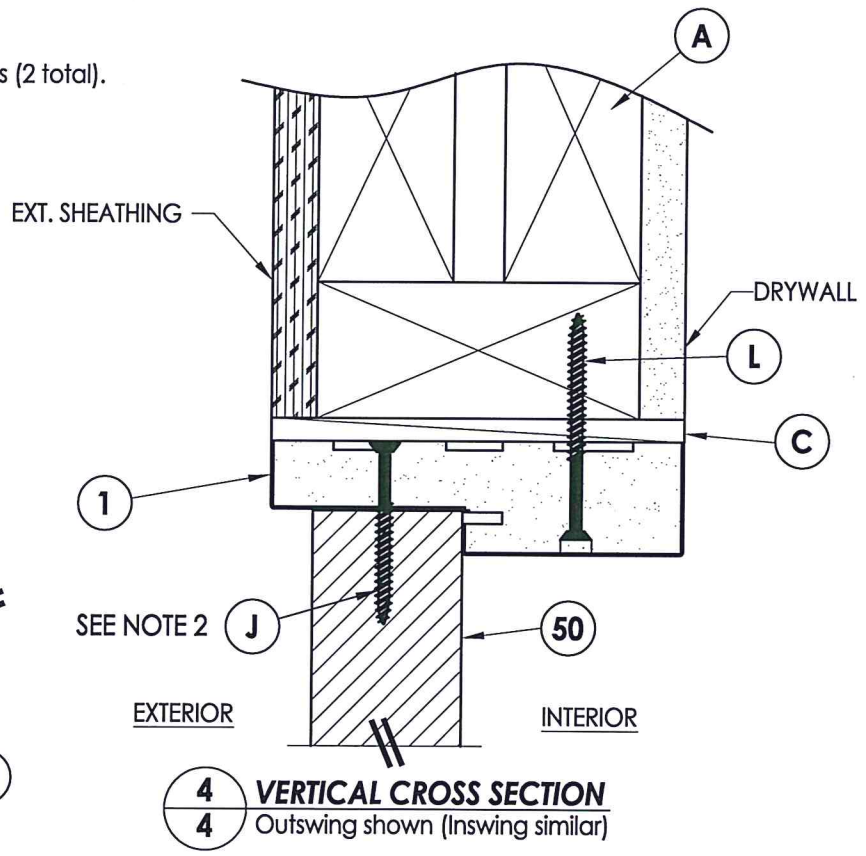
NOTES:
1. Spacing for item J: 6" from each end and 5 more equally spaced along sidelite jamb (7 total).
2. Spacing for item J @ head & sill: 6" from ends (2 total).



5 HORIZONTAL CROSS SECTION
4 Outswing shown (Inswing similar)
Back-to-Back Jamb



6 HORIZONTAL CROSS SECTION
4 Outswing shown (Inswing similar)
Shown w/ 2X Reinforcement



4 VERTICAL CROSS SECTION
4 Outswing shown (Inswing similar)



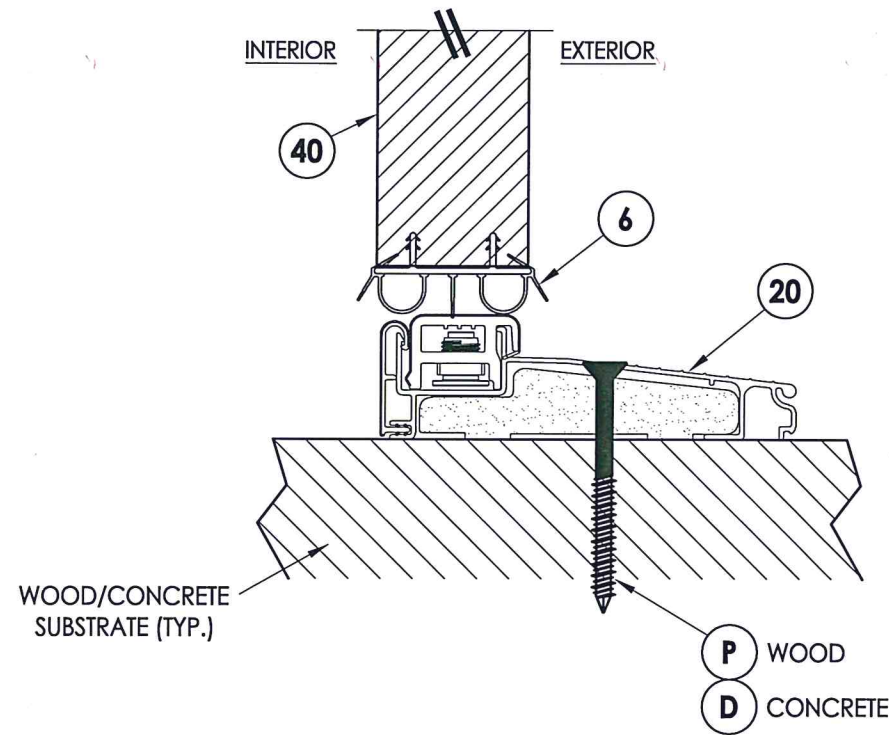
Documents Prepared By: Lyndon F. Schmidt, P.E.
TEXAS P.E. #104123

RW BUILDING CONSULTANTS, INC.
P.O. Box 230 Valrico FL 33595
Phone No.: 813.659.9197

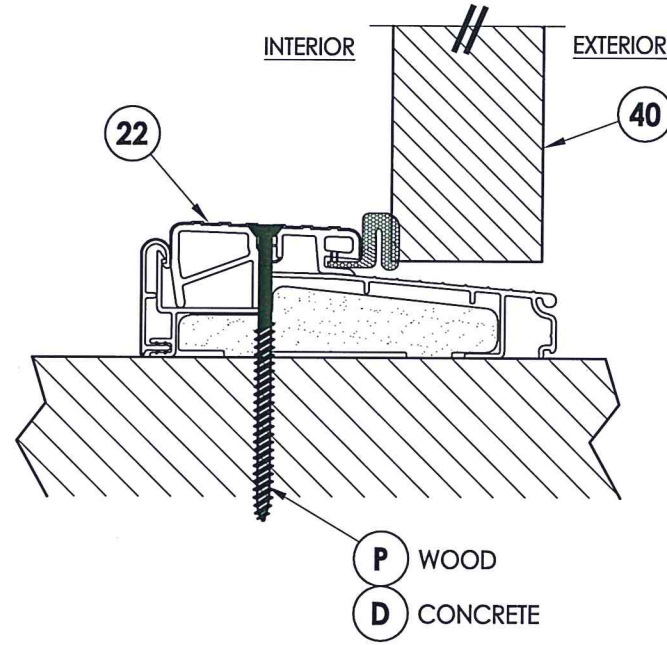
TEXAS BOARD OF PROFESSIONAL ENGINEERS
CERTIFICATE OF REGISTRATION # F-11852

PRODUCT:	PLASTPRO INC. FIBERGLASS DOOR
PART OR ASSEMBLY:	HORIZONTAL & VERTICAL CROSS SECTIONS
DATE:	4/29/19
SCALE:	N.T.S.
DWG. BY:	MT
CHK. BY:	LFS
DRAWING NO.:	TX-4924
SHEET	4 OF 7
NO. DATE	1 5/26/20
UPDATE TO 2018 IBC/IRC CODE	
LFS BY	
REVISIONS	

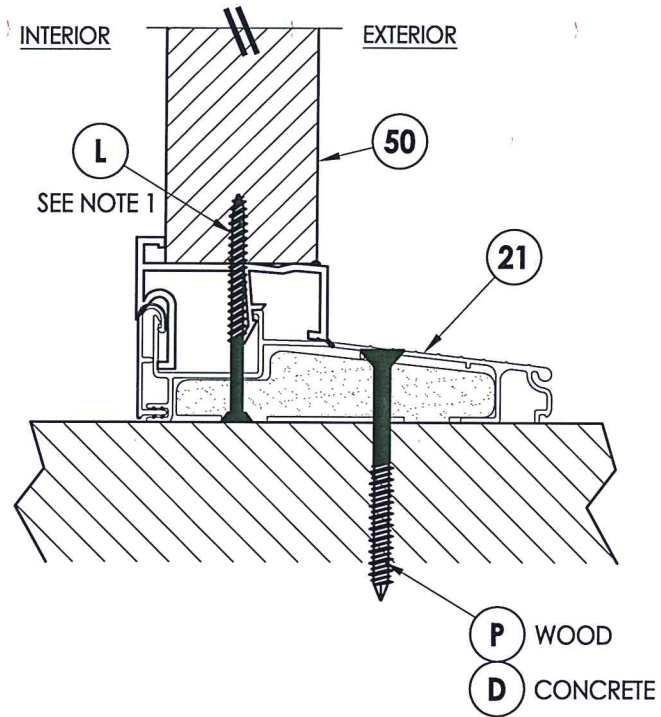
© 2019 R.W. BUILDING CONSULTANTS INC.



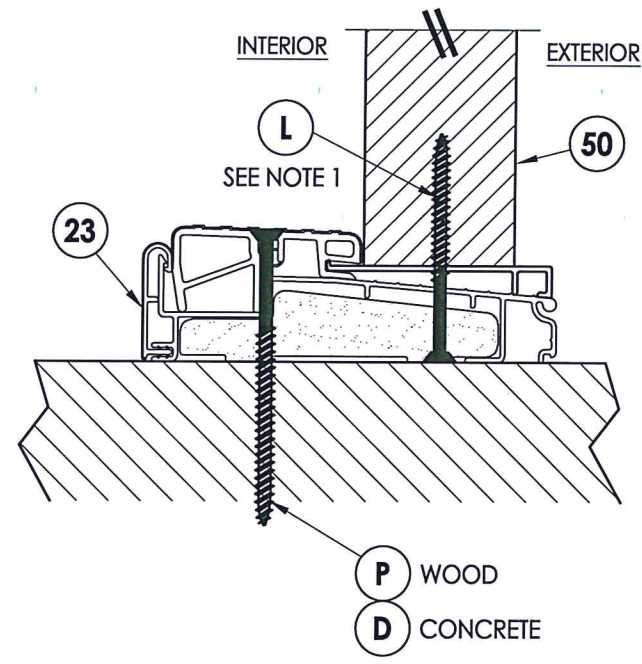
1 VERTICAL CROSS SECTION
5 Inswing sill



2 VERTICAL CROSS SECTION
5 Outswing sill



3 VERTICAL CROSS SECTION
5 Inswing sill



4 VERTICAL CROSS SECTION
5 Inswing sill

NOTE:
1. Spacing for item J & L @ head & sill: 6" from each end (2 total).



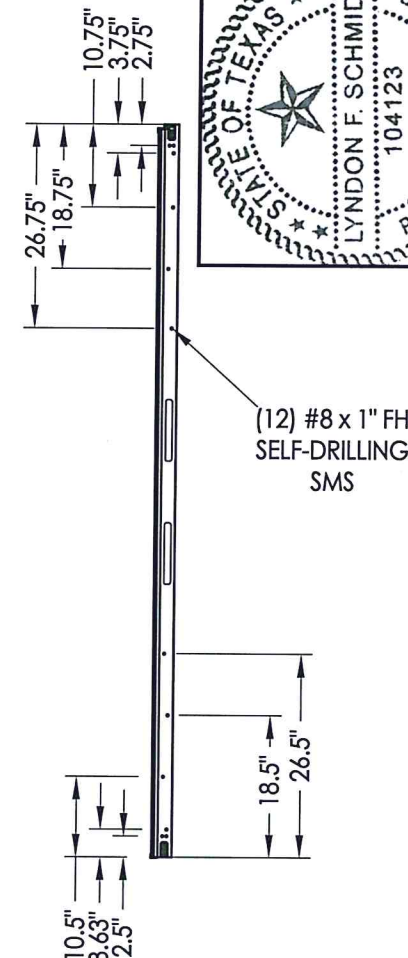
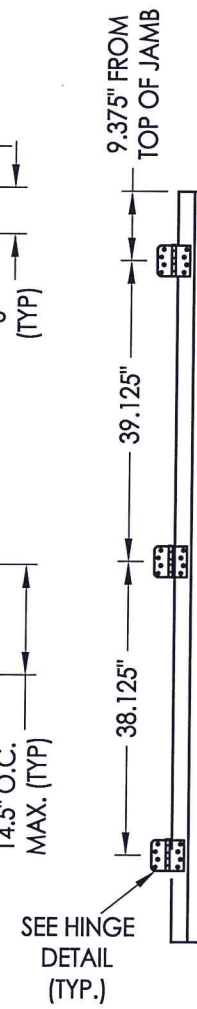
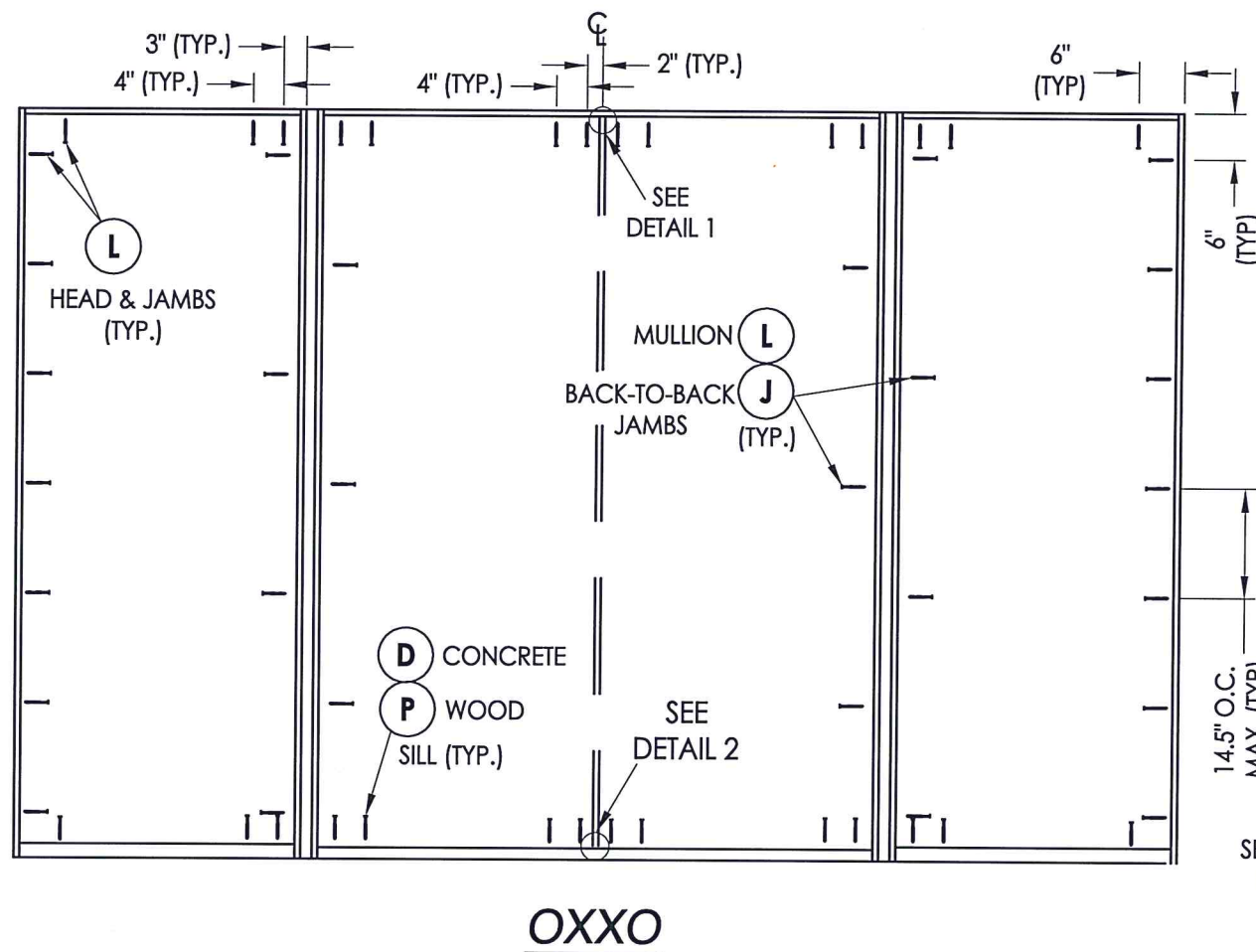
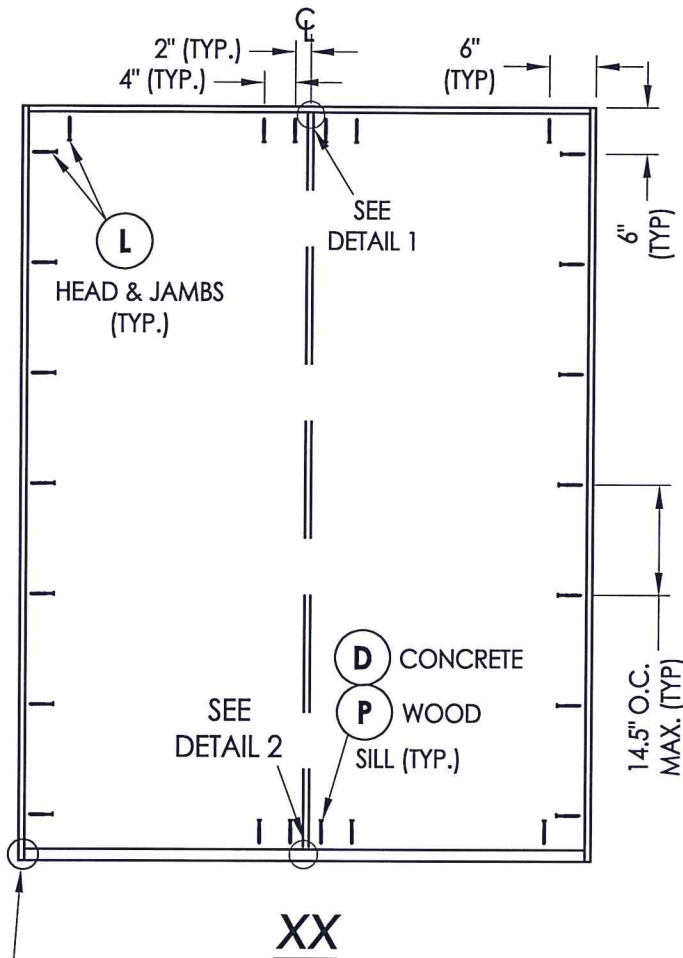
Documents Prepared By: Lyndon F. Schmidt, P.E.
TEXAS P.E. #104123

RW BUILDING CONSULTANTS, INC.
P.O. Box 230 Valrico FL 33595
Phone No.: 813.659.9197
TEXAS BOARD OF PROFESSIONAL ENGINEERS
CERTIFICATE OF REGISTRATION # F-11852

PRODUCT: PLASTPRO INC. FIBERGLASS DOOR
PART OR ASSEMBLY: VERTICAL CROSS SECTIONS

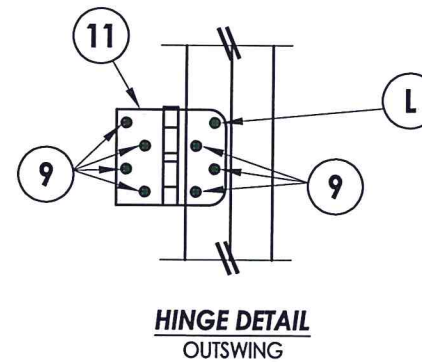
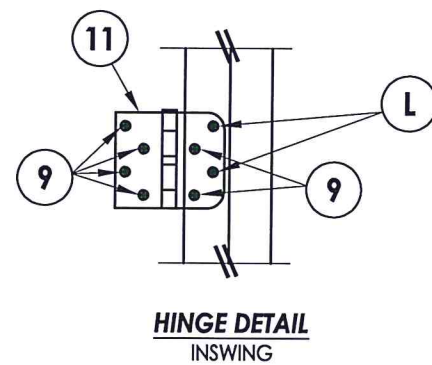
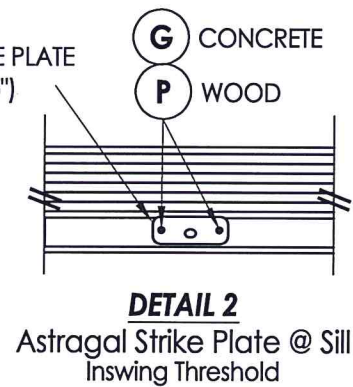
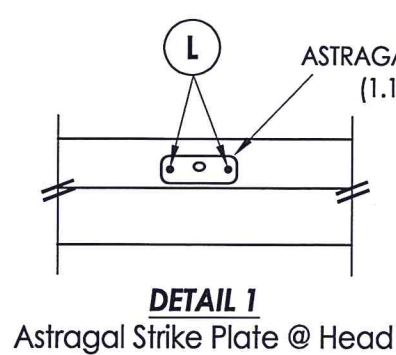
NO.	DATE	DESCRIPTION	BY
1	5/26/20	UPDATE TO 2018 IBC/IRC CODE	LFS

DATE: 4/29/19
SCALE: N.T.S.
DWG. BY: MT
CHK. BY: LFS
DRAWING NO.: TX-4924
SHEET 5 OF 7



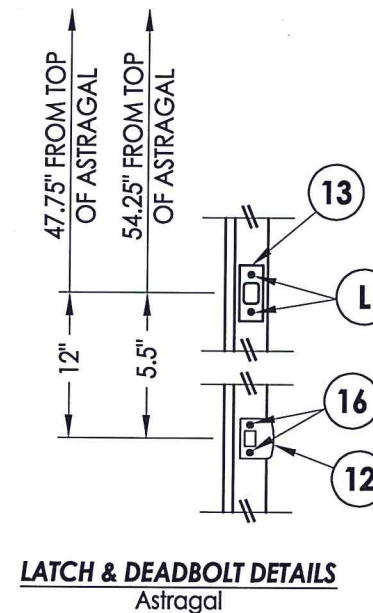
FRAME ANCHORING

NOTE: FRAME CORNERS ATTACHED w/
(3) #10 X 2-1/2" FH WOOD SCREWS (TYP.)



HARDWARE DETAILS

HINGE JAMB
ASTRAGAL
ENDURA ULTIMATE HURRICANE



PRODUCT:	PLASTPRO INC. FIBERGLASS DOOR
PART OR ASSEMBLY:	FRAME ANCHORING & HARDWARE DETAILS

NO.	DATE	DESCRIPTION	LFS	BY
1	5/26/20	UPDATE TO 2018 IBC/IRC CODE	LFS	BY

DATE:	4/29/19
SCALE:	N.T.S.
DWG. BY:	MT
CHK. BY:	LFS
DRAWING NO.:	TX-4924
SHEET	6 OF 7

Documents Prepared By: Lyndon F. Schmidt, P.E.
TEXAS P.E. #104123

RW BUILDING CONSULTANTS, INC.
P.O. Box 230 Valrico FL 33595
Phone No.: 813.659.9197

TEXAS BOARD OF PROFESSIONAL ENGINEERS
CERTIFICATE OF REGISTRATION # F-11852

BILL OF MATERIALS

ITEM #	DESCRIPTION	MATERIAL
A	2X FRAMING (G >= 0.42)	WOOD
C	1/4" MAX. SHIM SPACE	-
D	1/4" Ø PFH ELCO OR ITW CONCRETE SCREW (1-3/4" MIN. EMBEDMENT)	STEEL
G	3/16" Ø PFH ITW CONCRETE SCREW (1-3/4" MIN. EMB.)	STEEL
J	#10 X 2" PFH WOOD SCREW	STEEL
L	#10 X 2-1/2" PFH WOOD SCREW (1.15" MIN. EMB.)	STEEL
P	#10 PFH WOOD SCREW (1-1/2" MIN. EMB.)	STEEL
1	POLY FIBER JAMB	COMP
2	FINGER JOINT PINE JAMB	WOOD
6	DOOR SWEEP	PVC
7	WEATHERSTRIP	FOAM
9	#9 X 3/4" PFH WOOD SCREW	STEEL
11	4" X 4" HINGE	STEEL
12	LATCH STRIKE PLATE	STEEL
13	DEADBOLT STRIKE PLATE	STEEL
16	#8 X 2-1/2" PFH WOOD SCREW	STEEL
20	INSWING THRESHOLD	ALUM/COMP
21	INSWING THRESHOLD w/ SIDELITE ADAPTER	ALUM/COMP
22	OUTSWING THRESHOLD	ALUM/COMP
23	OUTSWING THRESHOLD w/ SIDELITE ADAPTER	ALUM/COMP
33	ASTRAGAL (ENDURA)	ALUM
40	DOOR PANEL	-
50	SIDELITE PANEL	-

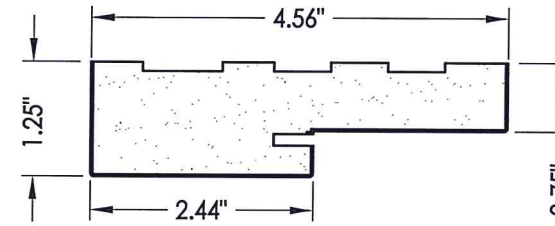
CONCRETE ANCHOR NOTES:

- Concrete anchor locations at the corners may be adjusted to maintain the min. edge distance to mortar joints.
- Concrete anchor locations noted as "MAX. ON CENTER" must be adjusted to maintain the min. edge distance to mortar joints, additional concrete anchors may be required to ensure the "MAX. ON CENTER" dimension are not exceeded.
- Concrete anchor table:

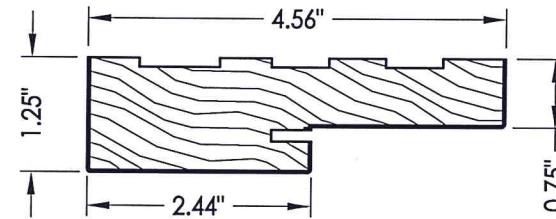
ANCHOR TYPE	ANCHOR SIZE	MIN. EMBEDMENT	MIN. CLEARANCE TO MASONRY EDGE	MIN. CLEARANCE TO ADJACENT ANCHOR
ITW BUILDEX TAPCON®	3/16"	1-3/4"	3"	1-1/2"
	1/4"	1-3/4"	2"	4"
ELCO ULTRACON®	1/4"	1-3/4"	1"	4"

WOOD SCREW INSTALLATION NOTES:

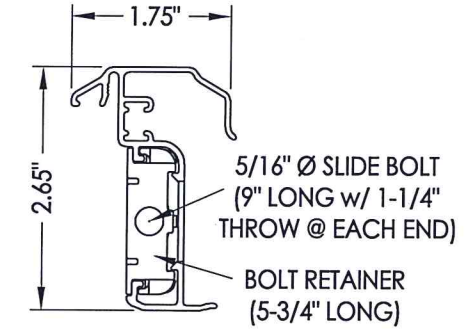
- Maintain a minimum 5/8" edge distance, 1" end distance, & 1" o.c. spacing of wood screws to prevent the splitting of wood.



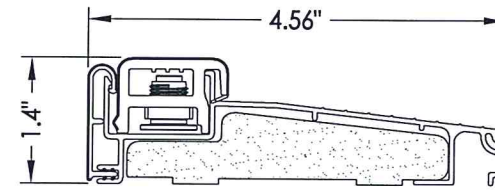
1 POLY FIBER JAMB
Plastpro PF Jamb



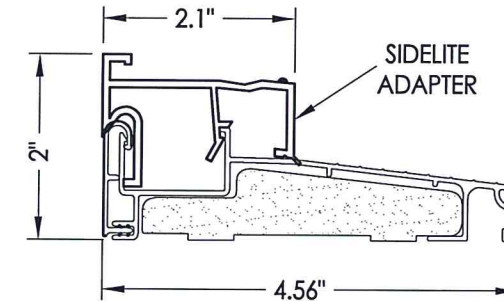
2 FINGER JOINT PINE JAMB



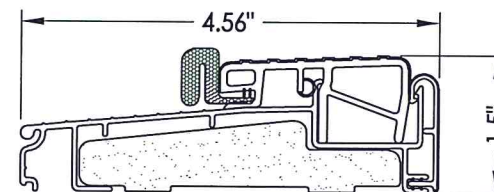
33 ENDURA ASTRAGAL
ULTIMATE HURRICANE



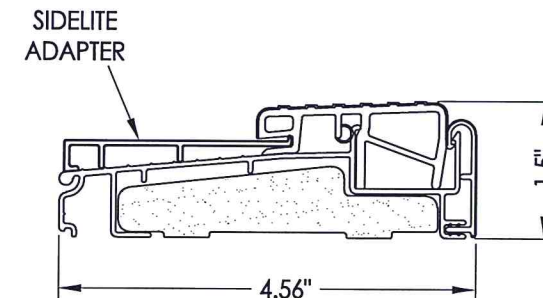
20 INSWING THRESHOLD
Endura (Z-Series)



21 INSWING THRESHOLD w/ SIDELITE ADAPTER
Endura (Z-Series)



22 OUTSWING THRESHOLD
Endura (Z-Series)



23 OUTSWING THRESHOLD w/ SIDELITE ADAPTER
Endura (Z-Series)



Documents Prepared By: Lyndon F. Schmidt, P.E.
TEXAS P.E. #104123

RW BUILDING CONSULTANTS, INC.
P.O. Box 230 Vairico FL. 33595
Phone No.: 813.659.9197

TEXAS BOARD OF PROFESSIONAL ENGINEERS
CERTIFICATE OF REGISTRATION # F-11852

PRODUCT: PLASTPRO INC.
FIBERGLASS DOOR

PART OR ASSEMBLY: BILL OF MATERIALS
& COMPONENTS

NO.	DATE	DESCRIPTION	LFS	BY
1	5/26/20	UPDATE TO 2018 IBC/IRC CODE		

REVISIONS

DATE: 4/29/19

SCALE: N.T.S.

DWG. BY: MT

CHK. BY: LFS

DRAWING NO.: TX-4924

SHEET 7 OF 7