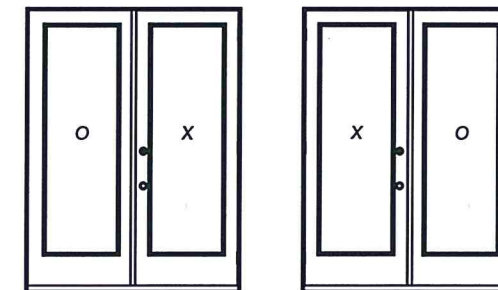
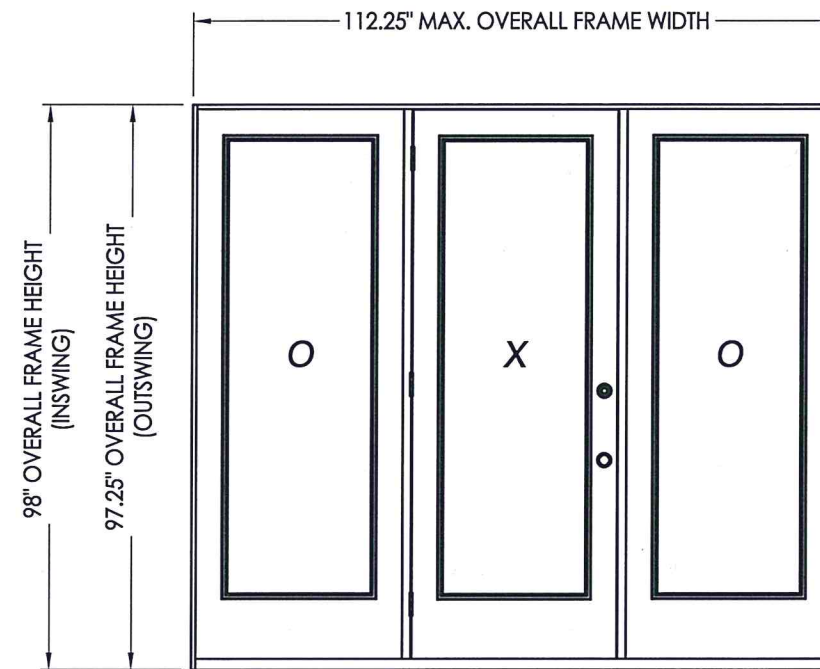


plastpro

5200 W. CENTURY BLVD.
LOS ANGELES, CA 90045

DIRECT GLAZED FIBERGLASS DOORS SINGLES w/ SIDELITE(S) IN SWING / OUT SWING "NON-IMPACT"



OX **XO**

CONTINUOUS HEAD & SILL

CONFIGURATION	MAX. FRAME DIMENSION	DESIGN PRESSURE (PSF) INSWING		DESIGN PRESSURE (PSF) OUTSWING	
		POSITIVE	NEGATIVE	POSITIVE	NEGATIVE
OX/XO	74.75" x 98.0"	+40.0	-45.0	+40.0	-40.0
OXO	112.25" x 98.0"	+40.0	-45.0	+40.0	-40.0

EVALUATED FOR USE IN THE STATE OF TEXAS

The Fiberglass Door system described herein complies with the 2018 International Residential Code (IRC), Sections R301 & R609 and the 2018 International Building Code (IBC), Sections 1404.13, 1609, 1709.5, 2403 and 2404 subject to the following conditions:

1. Anchors shall be as listed and spaced as shown in the details. Anchor embedment to base material shall be beyond wall dressing or stucco.
2. When used in areas requiring wind-borne debris protection this product is required to be protected with an impact resistant covering that complies with Section R301.2.1.2 of the IRC and Section 1609.1.2 of the IBC.
3. Allowable design pressure requirements must be equal to or less than the design pressure rating shown in the design pressure chart, sheet 1 of this drawing.
4. Conditions not covered by this drawing are subject to further engineering analysis.

TABLE OF CONTENTS

SHEET #	DESCRIPTION
1	Typical elevations, design pressures & general notes
2	Door & Sidelite panel details
3	Elevations
4	Horizontal & Vertical Cross Sections
5	Vertical Cross Sections
6	Frame anchoring
7	Hardware details
8	Components
9	Bill of materials & components



Documents Prepared By: Lyndon F. Schmidt, P.E.
TEXAS P.E. #104123

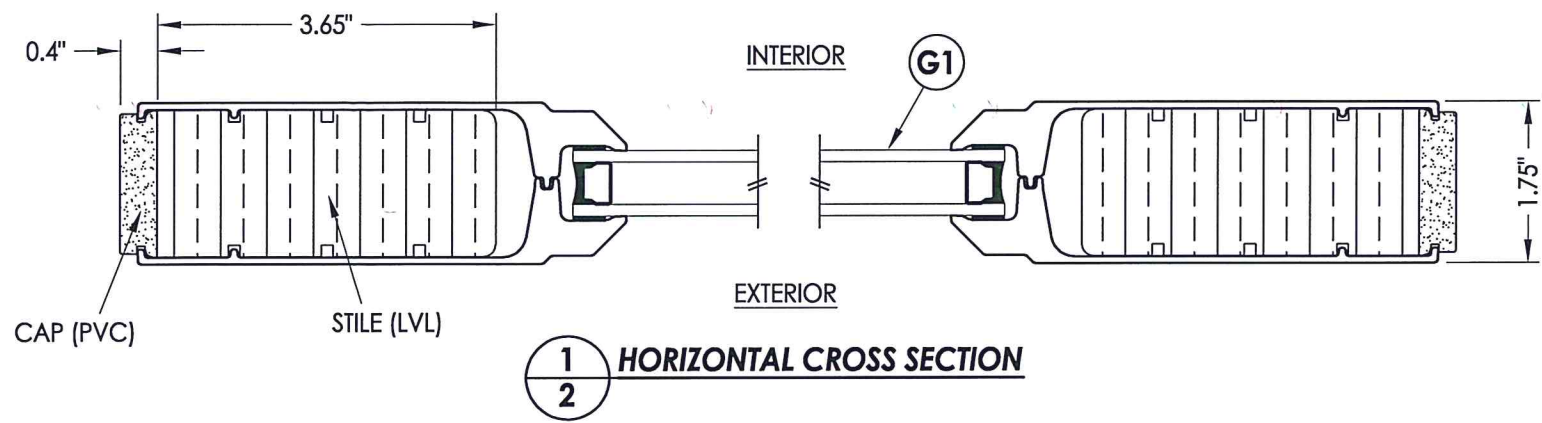
RW BUILDING CONSULTANTS, INC.
P.O. Box 230 Valrico FL 33595
Phone No.: 813.659.9197
TEXAS BOARD OF PROFESSIONAL ENGINEERS
CERTIFICATE OF REGISTRATION # F-11852

PRODUCT: PLASTPRO INC FIBERGLASS DOOR
PART OR ASSEMBLY: TYPICAL ELEVATION, DESIGN PRESSURES & GENERAL NOTES

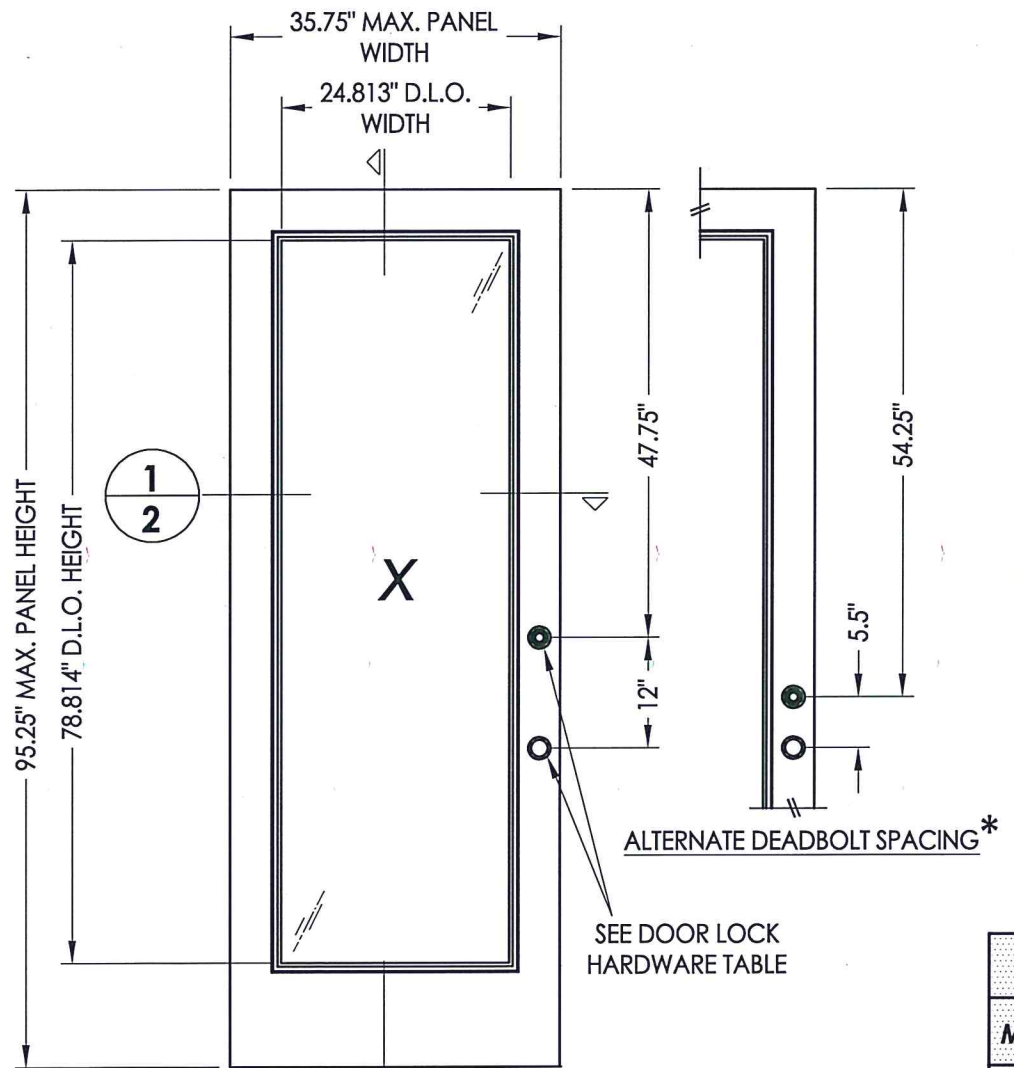
NO.	DATE	REVISIONS
1	5/26/20	UPDATE TO 2018 IBC/IRC CODE
		LFS
		BY

DATE: 4/29/19
SCALE: N.T.S.
DWG. BY: MT
CHK. BY: LFS
DRAWING NO.: TX-4923
SHEET 1 OF 9

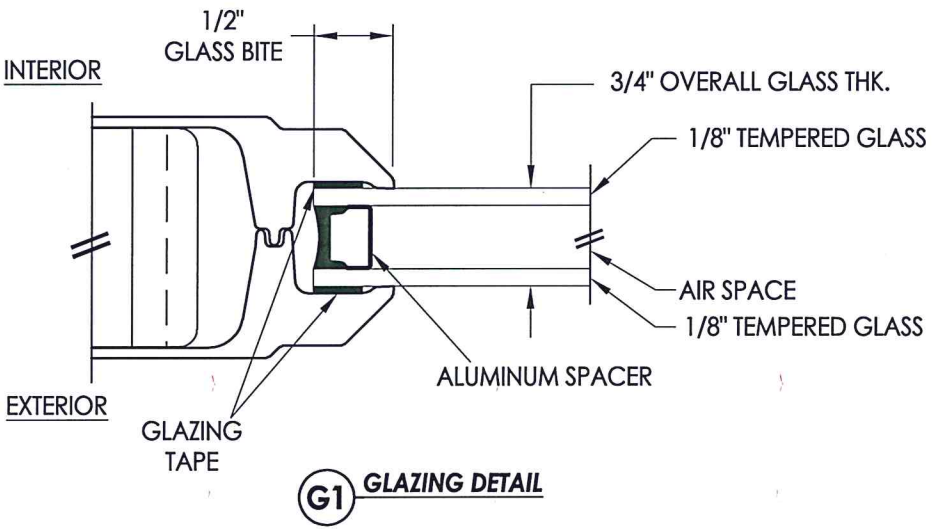
R:\Clients\Plastpro, Inc PERMANENT\B - TD\TDI - DR 1057 Direct Glazed Non-ImpactC - Drawings\TX-4923.dwg, 2.3



1
2 HORIZONTAL CROSS SECTION



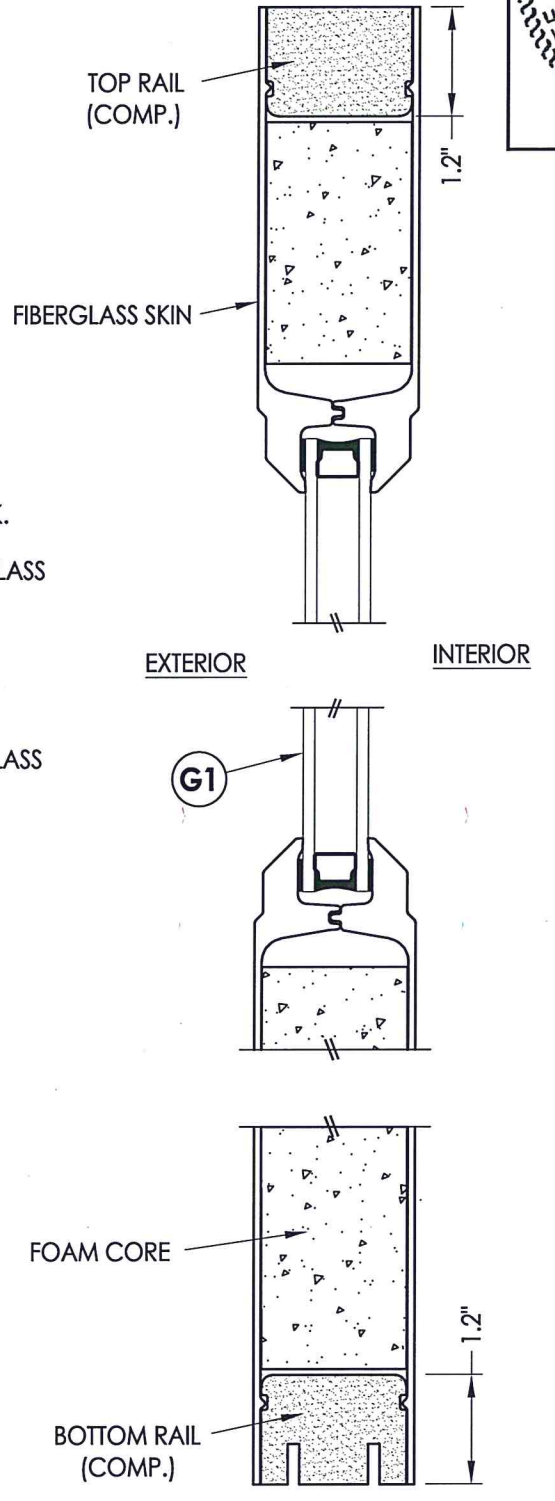
- 2**
2
- 40** PLASTPRO DOOR PANEL
- 50** PLASTPRO SIDELITE PANEL



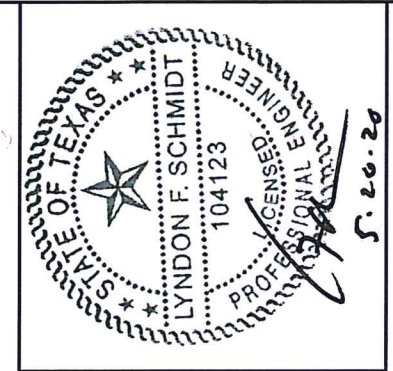
G1 GLAZING DETAIL

HARDWARE TABLE	
MANUFACTURER	MODEL
YALE	KNOB: YH COLLECTION DEADBOLT: YH COLLECTION
KWIKSET *	KNOB: SIGNATURE SERIES DEADBOLT: SIGNATURE SERIES (980)
SCHLAGE	KNOB: F-SERIES (F51) DEADBOLT: B-SERIES (B60)

* NOTE: KWIKSET DEADBOLT MAY BE SPACED AT 5-1/2" ABOVE KNOB ON SINGLE DOOR ONLY (MAX. DESIGN PRESSURE = ±50 PSF)



2
2 VERTICAL CROSS SECTION



Documents Prepared By: Lyndon F. Schmidt, P.E.
TEXAS P.E. #104123

RW BUILDING CONSULTANTS, INC.
P.O. Box 230 Valrico FL 33595
Phone No.: 813.659.9197

TEXAS BOARD OF PROFESSIONAL ENGINEERS
CERTIFICATE OF REGISTRATION # F-11852

PRODUCT: PLASTPRO INC FIBERGLASS DOOR

PART OR ASSEMBLY: DOOR & SIDELITE PANEL DETAILS

NO.	DATE	REVISIONS
1	5/26/20	UPDATE TO 2018 IBC/IRC CODE
		LFS
		BY

DATE: 4/29/19

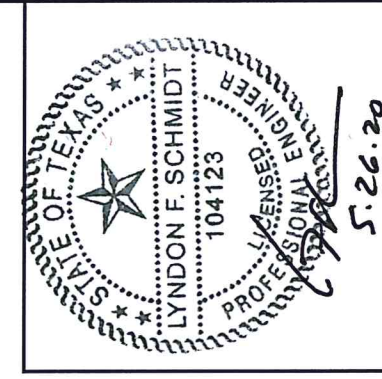
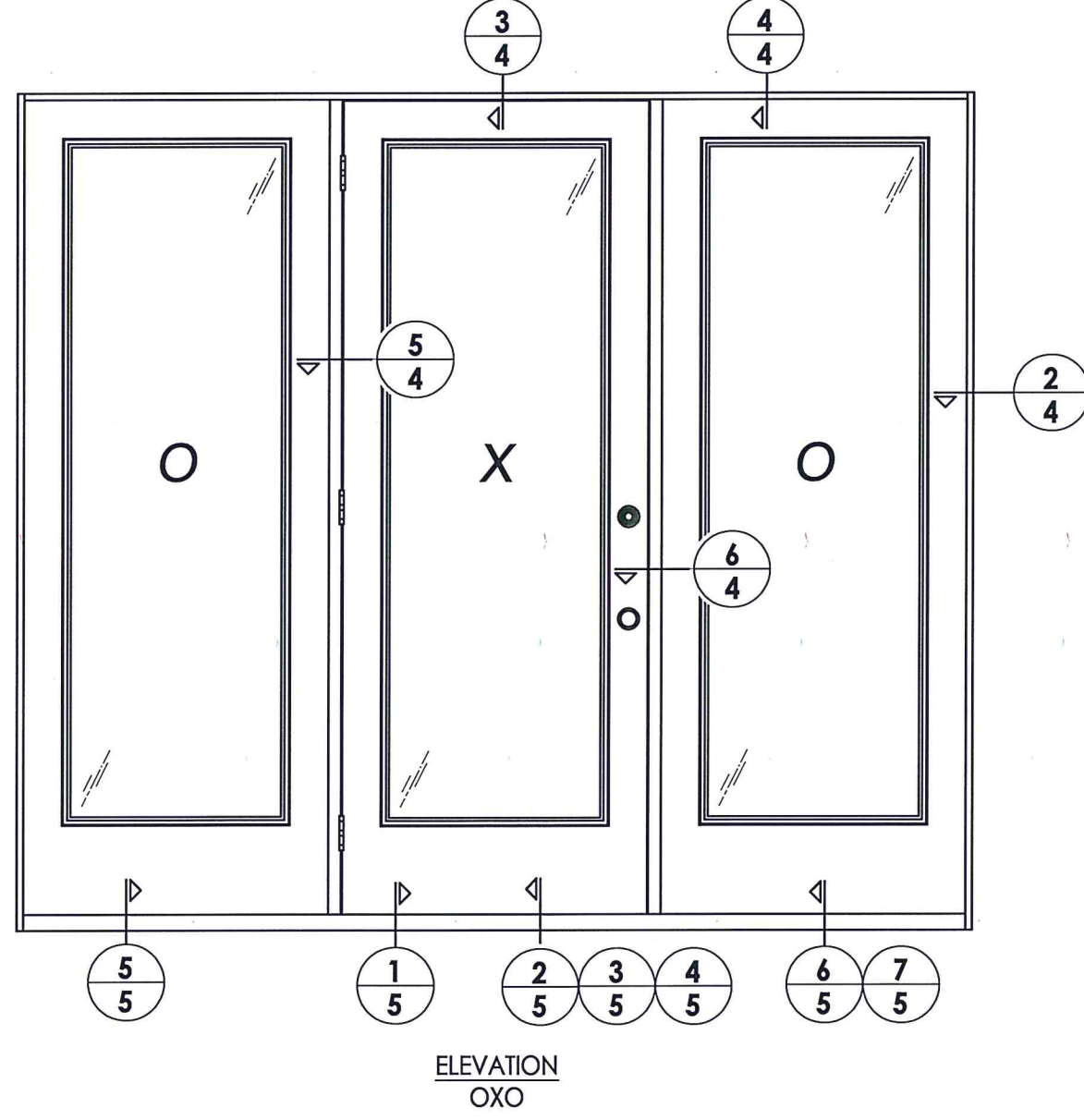
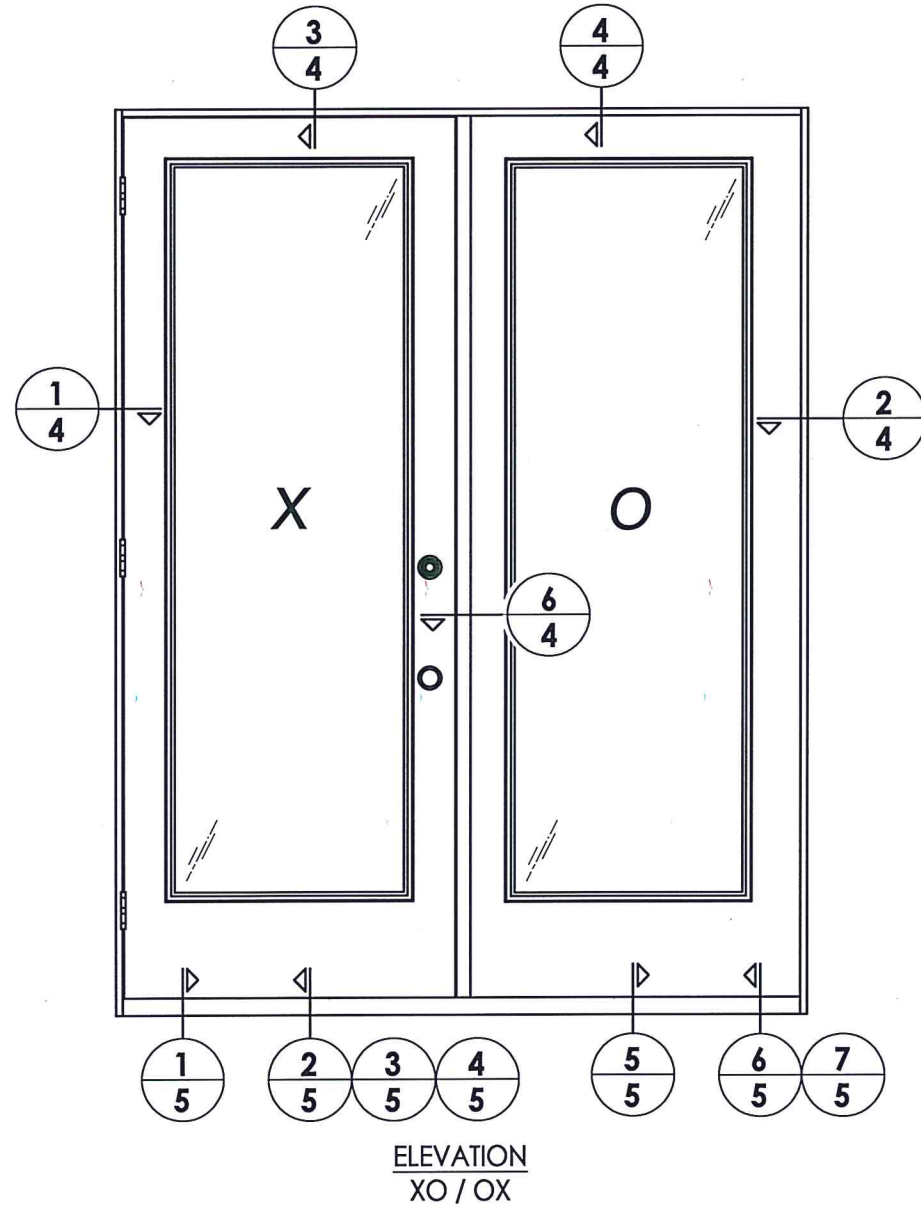
SCALE: N.T.S.

DWG. BY: MT

CHK. BY: LFS

DRAWING NO.: TX-4923

SHEET 2 OF 9

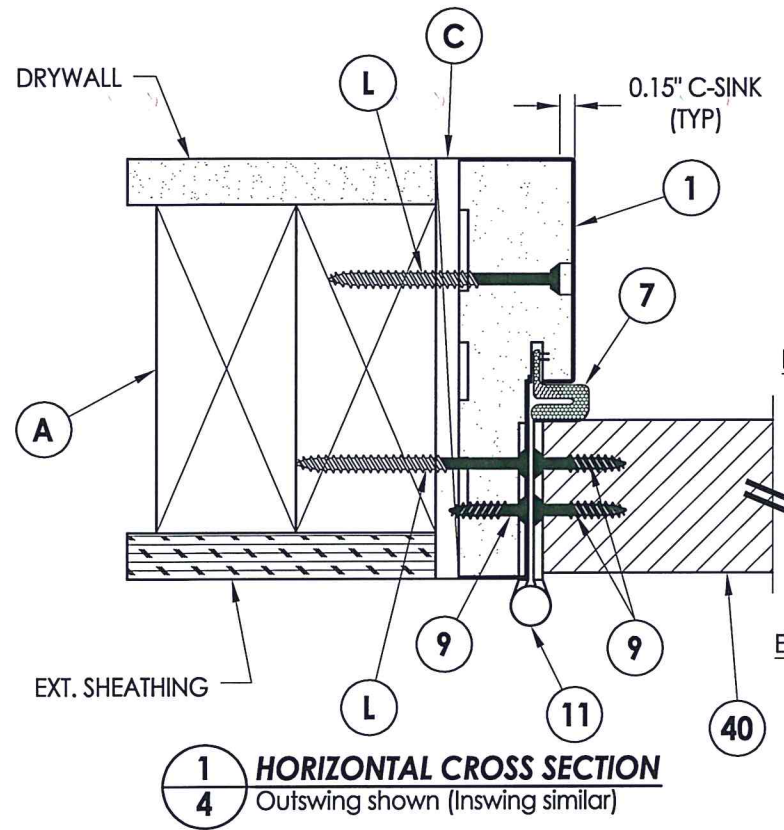


Documents Prepared By: Lyndon F. Schmidt, P.E.
TEXAS P.E. #104123

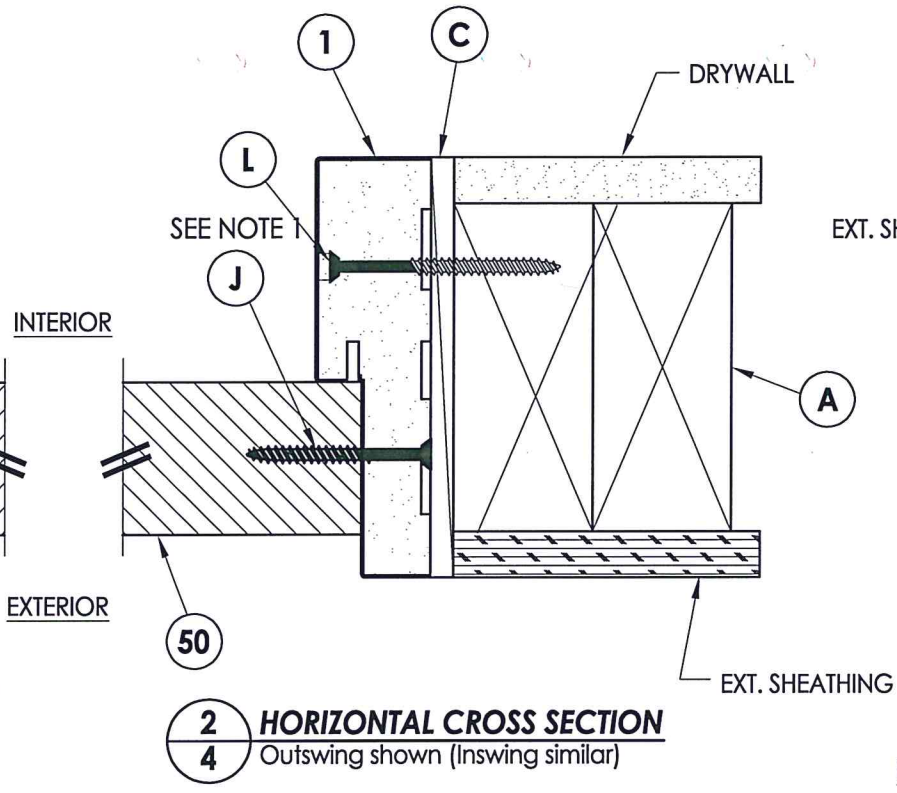
RW BUILDING CONSULTANTS, INC.
P.O. Box 230 Valrico FL 33595
Phone No.: 813.659.9197
TEXAS BOARD OF PROFESSIONAL ENGINEERS
CERTIFICATE OF REGISTRATION # F-11852

PRODUCT: PLASTPRO INC FIBERGLASS DOOR	
PART OR ASSEMBLY: ELEVATIONS	
NO.	REVISIONS
1	5/26/20 UPDATE TO 2018 IBC/IRC CODE
	LFS
	BY
DATE: 4/29/19	
SCALE: N.T.S.	
DWG. BY: MT	
CHK. BY: LFS	
DRAWING NO.: TX-4923	
SHEET 3 OF 9	

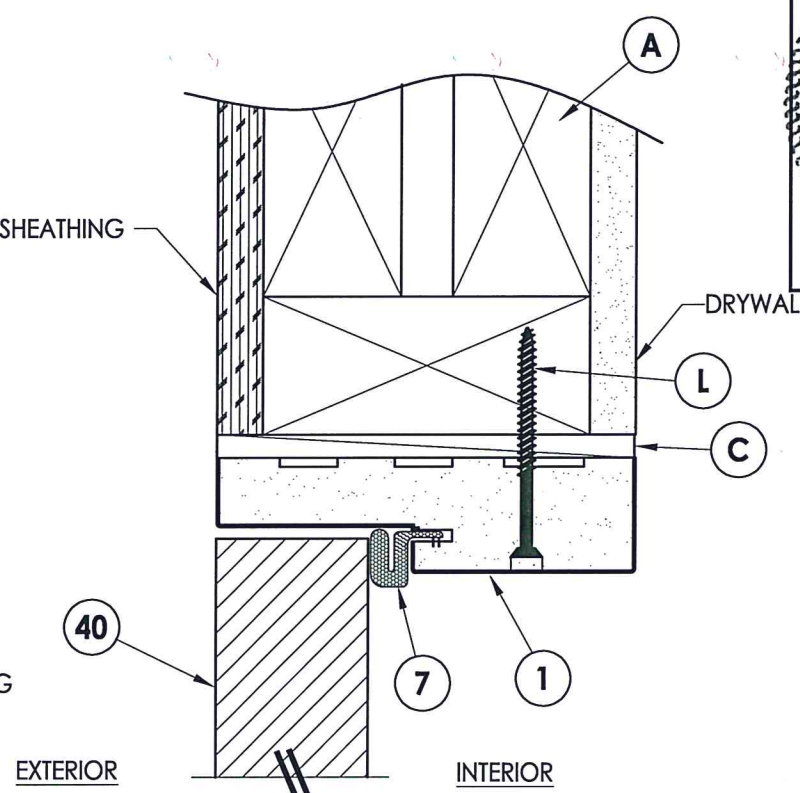
R:\Clients\Plastpro, Inc PERMANENT\B - TDI\TDI - DR 1057 Direct Glazed Non-Impact\C - Drawings\TX-4923.dwg, 4.3



1
4 **HORIZONTAL CROSS SECTION**
Outswing shown (Inswing similar)

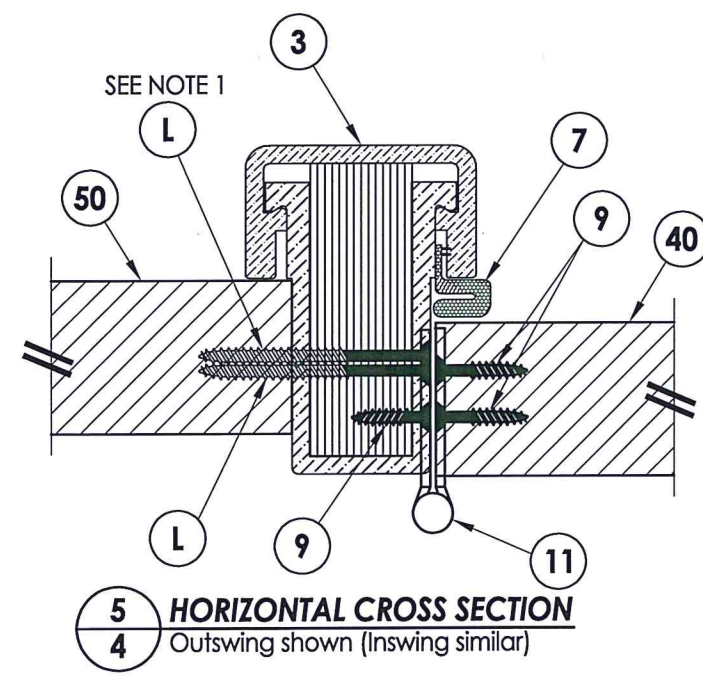


2
4 **HORIZONTAL CROSS SECTION**
Outswing shown (Inswing similar)

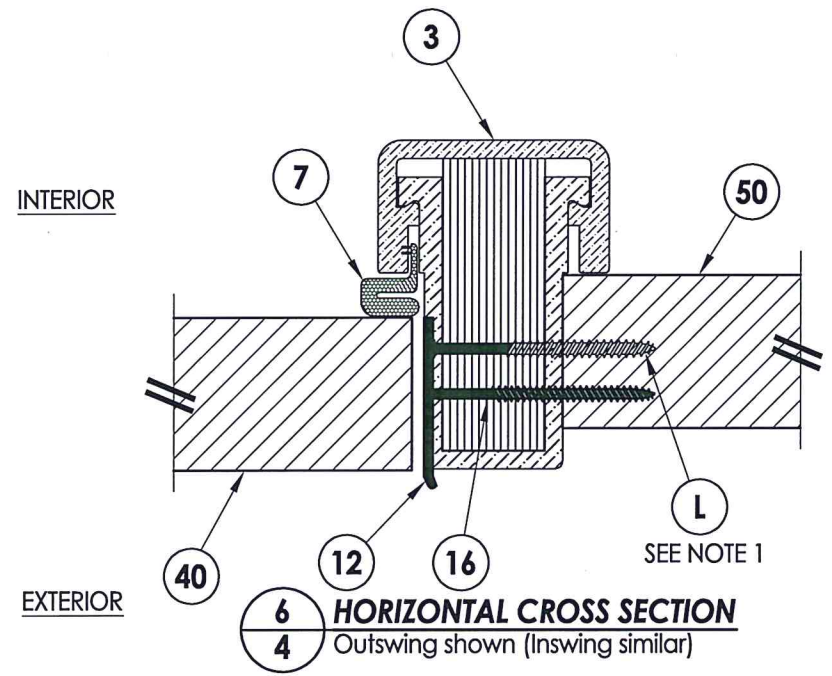


3
4 **VERTICAL CROSS SECTION**
Outswing shown (Inswing similar)

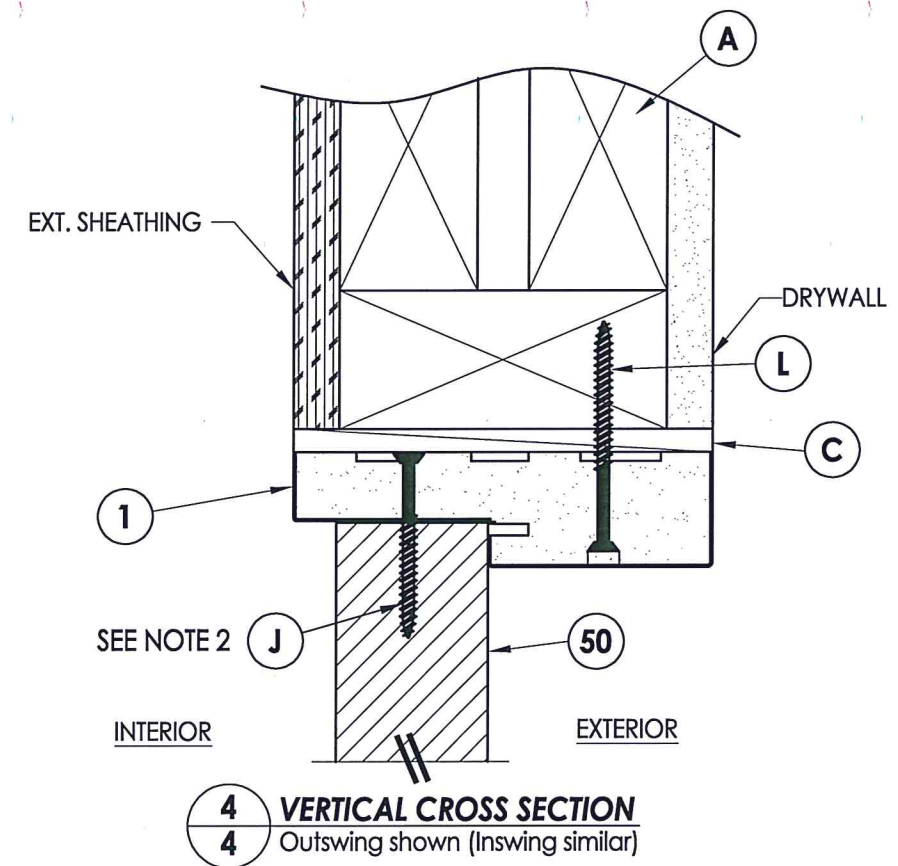
- NOTES:
1. Spacing for item J & L: 6" from each end and 4 more equally spaced along sidelite jamb (6 total).
 2. Spacing for item J @ head & sill: 6" from ends (2 total).



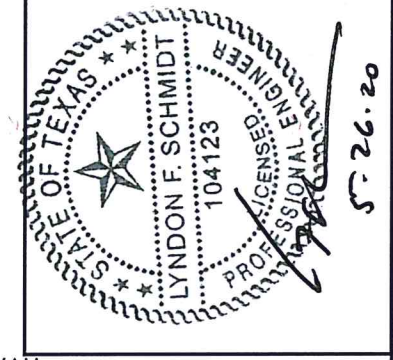
5
4 **HORIZONTAL CROSS SECTION**
Outswing shown (Inswing similar)



6
4 **HORIZONTAL CROSS SECTION**
Outswing shown (Inswing similar)



4
4 **VERTICAL CROSS SECTION**
Outswing shown (Inswing similar)



Documents Prepared By: Lyndon F. Schmidt, P.E.
TEXAS P.E. #104123

R.W. BUILDING CONSULTANTS, INC.
P.O. Box 230 Vairico FL 33595
Phone No.: 813.659.9197

TEXAS BOARD OF PROFESSIONAL ENGINEERS
CERTIFICATE OF REGISTRATION # F-11852

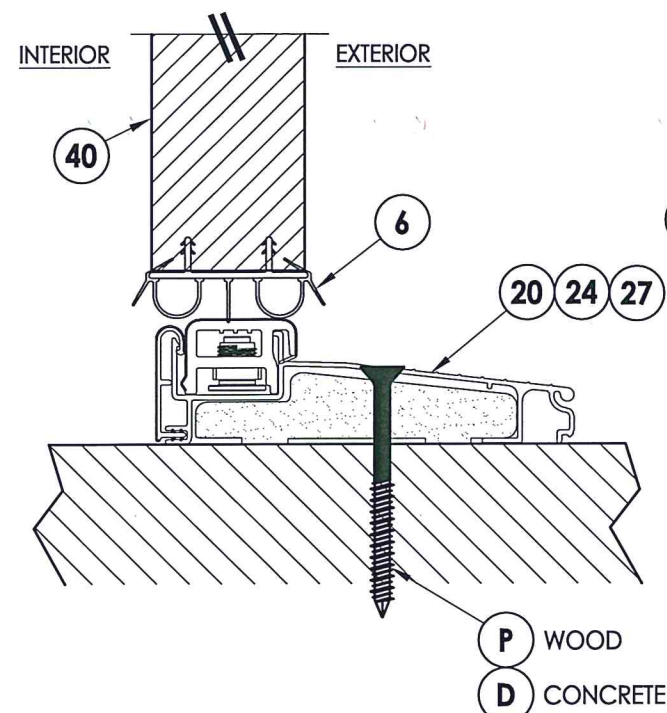
PRODUCT: PLASTPRO INC
FIBERGLASS DOOR

PART OR ASSEMBLY: HORIZONTAL & VERTICAL
CROSS SECTIONS

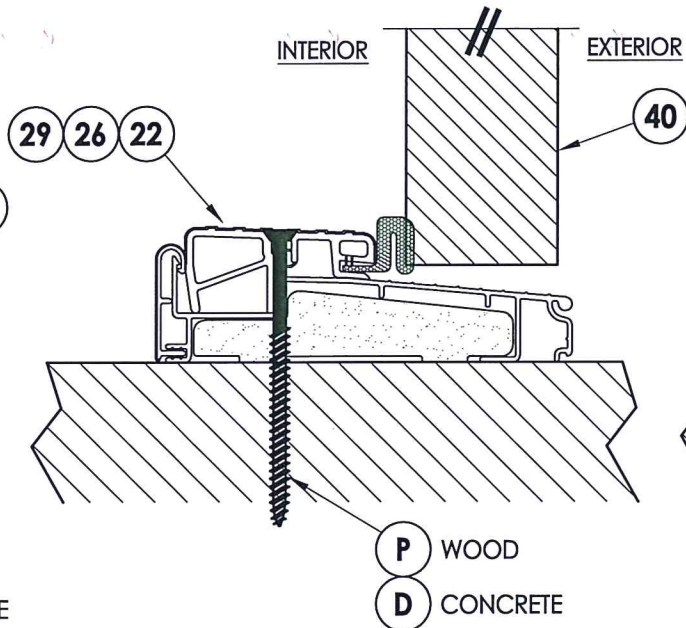
NO.	DATE	DESCRIPTION	BY
1	5/26/20	UPDATE TO 2018 IBC/IRC CODE	LFS

DATE: 4/29/19
SCALE: N.T.S.
DWG. BY: MT
CHK. BY: LFS
DRAWING NO.: TX-4923
SHEET 4 OF 9

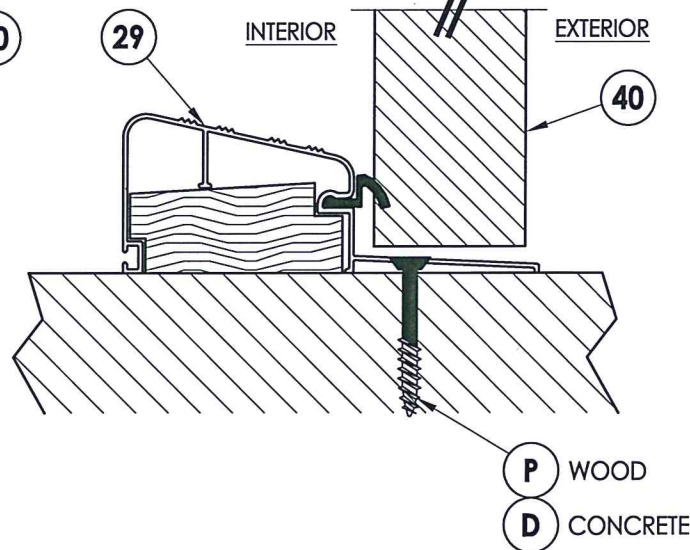
R:\Clients\Plastpro, Inc PERMANENT\B - TDI\TDI - DR 1057 Direct Glazed Non-ImpactC - Drawings\TX-4923.dwg, 5



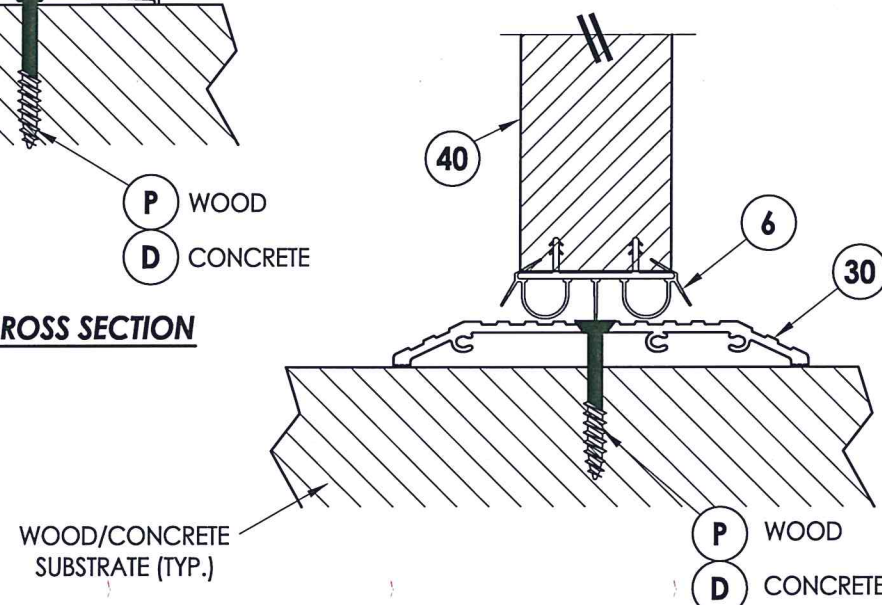
1 VERTICAL CROSS SECTION
5 Inswing Sill



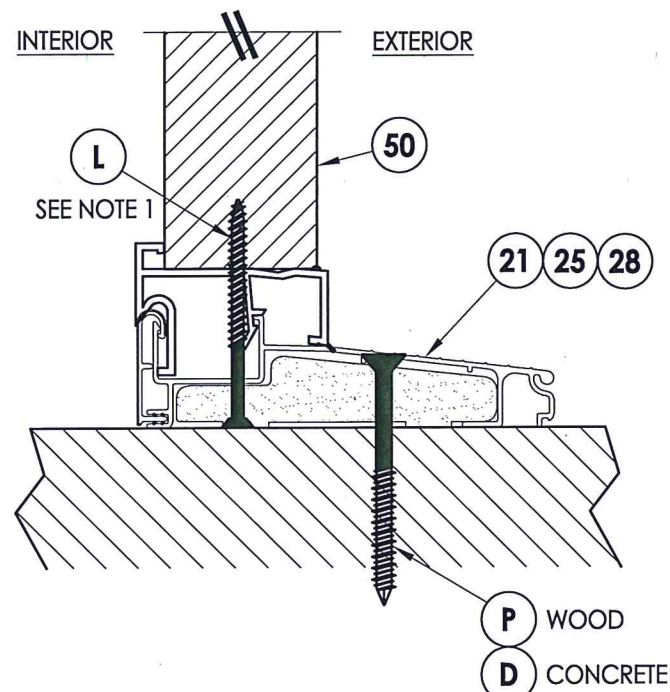
2 VERTICAL CROSS SECTION
5 Outswing Sill



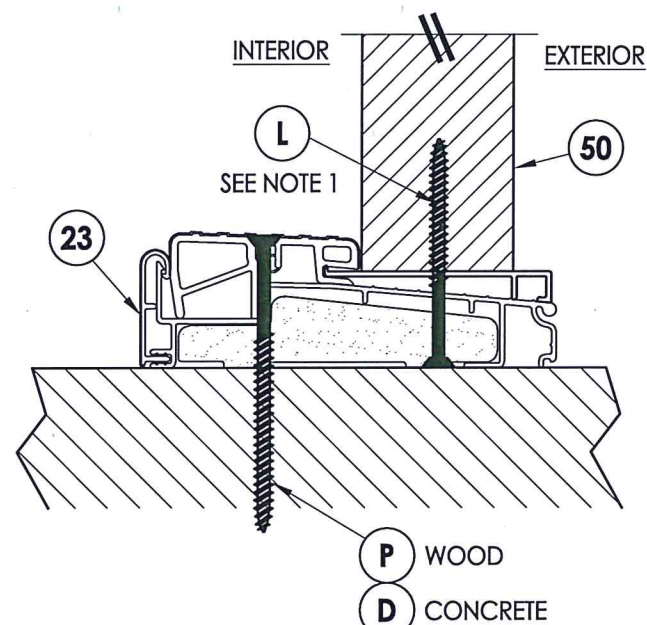
3 VERTICAL CROSS SECTION
5 Outswing Sill



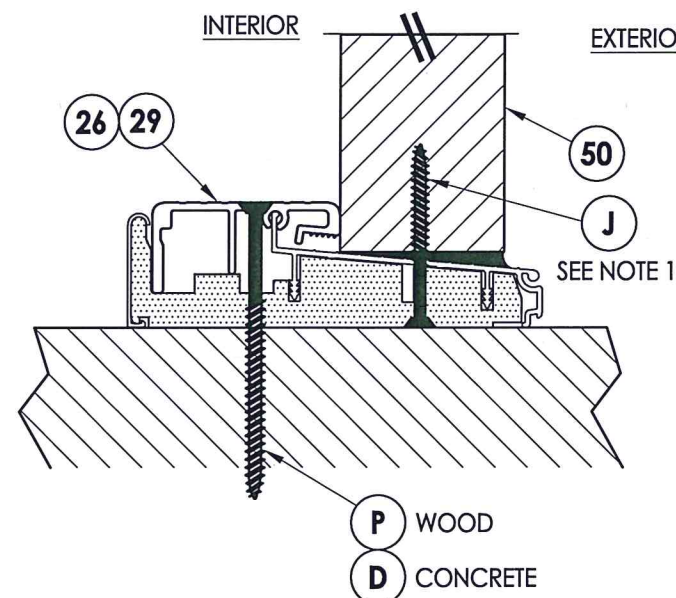
4 VERTICAL CROSS SECTION
5 ADA Sill



5 VERTICAL CROSS SECTION
5 Inswing Sill

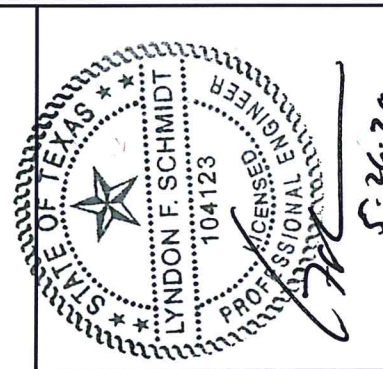


6 VERTICAL CROSS SECTION
5 Inswing Sill



7 VERTICAL CROSS SECTION
5 Outswing Sill

NOTE:
1. Spacing for item J & L @ head & sill: 6" from each end (2 total).



Documents Prepared By: Lyndon F. Schmidt, P.E.
TEXAS P.E. #104123

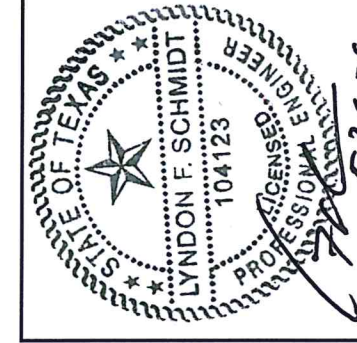
RW BUILDING CONSULTANTS, INC.
P.O. Box 230 Valrico FL 33595
Phone No.: 813.659.9197
TEXAS BOARD OF PROFESSIONAL ENGINEERS
CERTIFICATE OF REGISTRATION # F-11852

PRODUCT: PLASTPRO INC FIBERGLASS DOOR
PART OR ASSEMBLY: VERTICAL CROSS SECTIONS

NO.	DATE	REVISIONS
1	5/26/20	UPDATE TO 2018 IBC/IRC CODE
		LFS
		BY

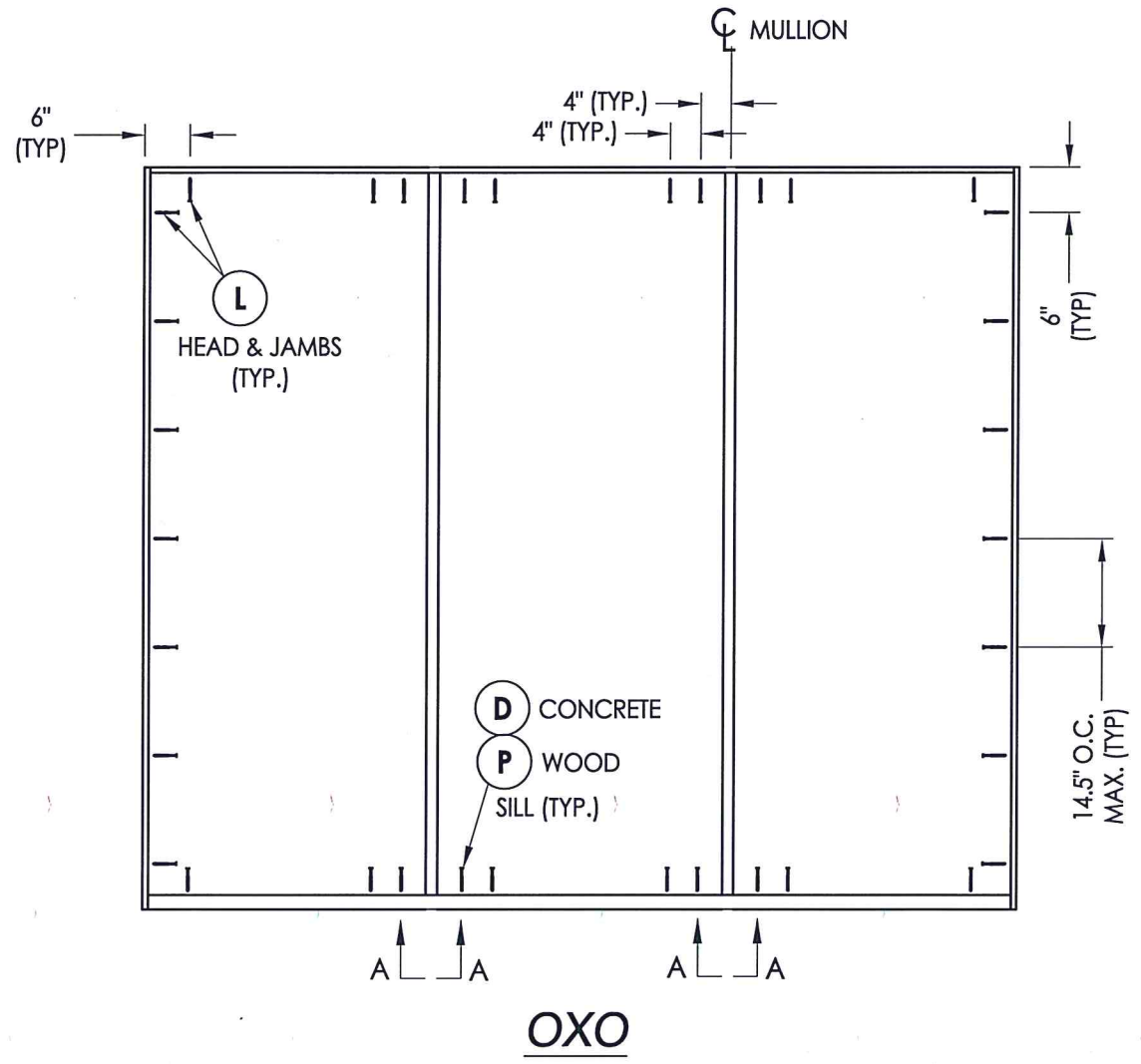
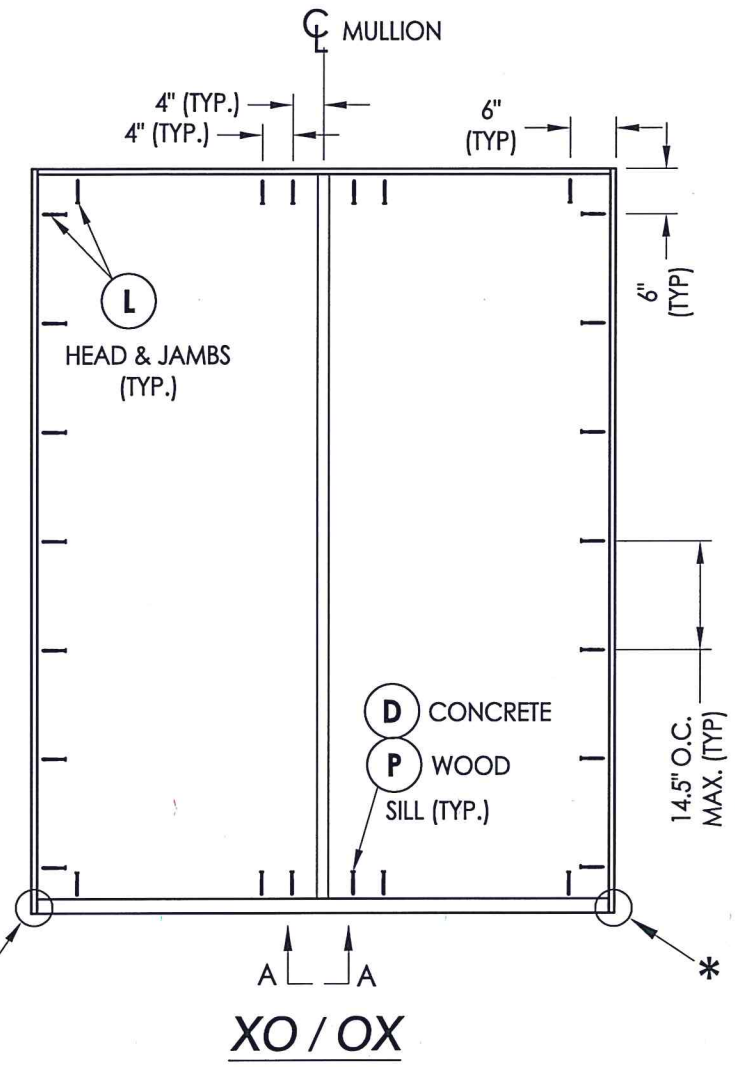
DATE: 4/29/19
SCALE: N.T.S.
DWG. BY: MT
CHK. BY: LFS
DRAWING NO.: TX-4923
SHEET 5 OF 9

© 2019 R.W. BUILDING CONSULTANTS INC.



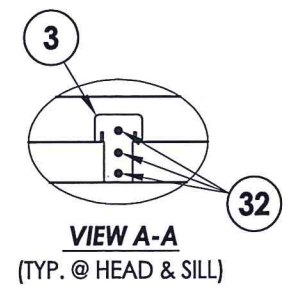
Documents Prepared By: Lyndon F. Schmidt, P.E.
TEXAS P.E. #104123

RW BUILDING CONSULTANTS, INC.
P.O. Box 230 Vairico FL. 33595
Phone No.: 813.659.9197
TEXAS BOARD OF PROFESSIONAL ENGINEERS
CERTIFICATE OF REGISTRATION # F-11852



NOTE: FRAME CORNERS ATTACHED w/
(3) #10 X 2-1/2" FH WOOD SCREWS (TYP.)

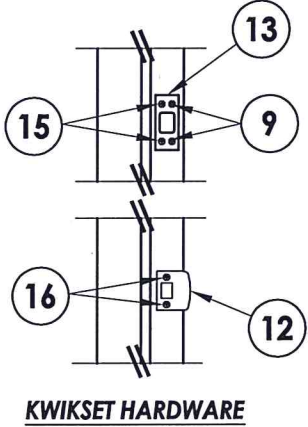
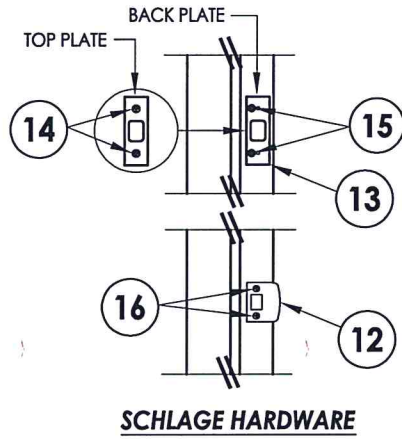
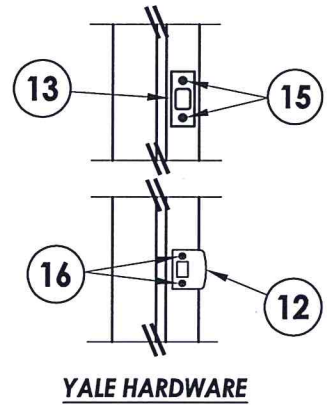
FRAME ANCHORING



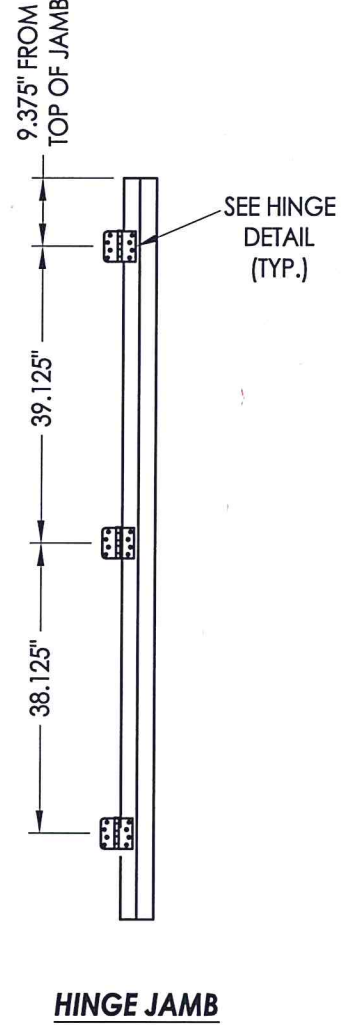
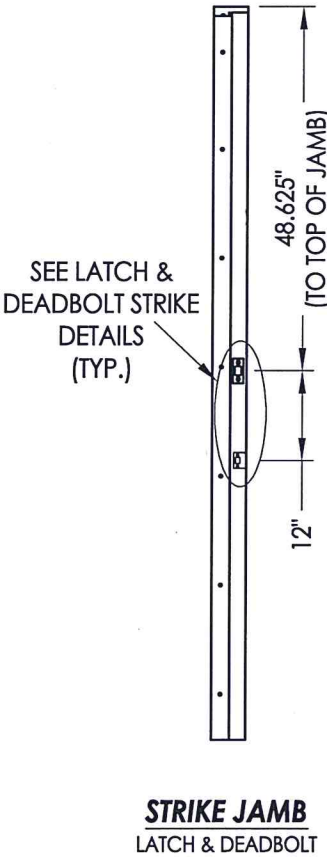
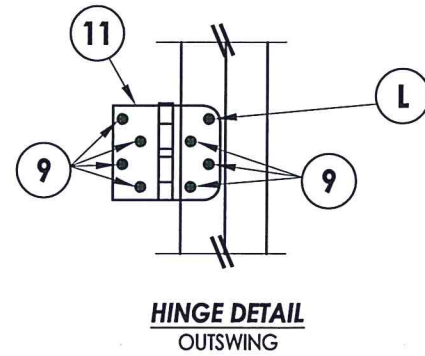
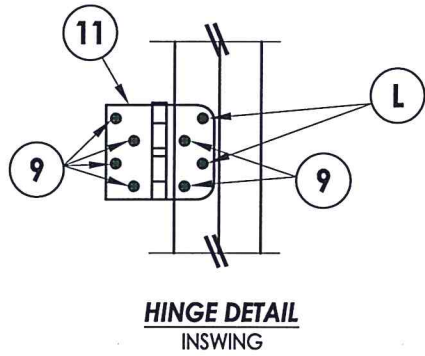
PRODUCT: PLASTPRO INC FIBERGLASS DOOR
PART OR ASSEMBLY: FRAME ANCHORING

NO.	DATE	DESCRIPTION	BY
1	5/26/20	UPDATE TO 2018 IBC/IRC CODE	LFS
REVISIONS			

DATE: 4/29/19
SCALE: N.T.S.
DWG. BY: MT
CHK. BY: LFS
DRAWING NO.: TX-4923
SHEET 6 of 9



LATCH & DEADBOLT HARDWARE STRIKE DETAILS



HARDWARE DETAILS



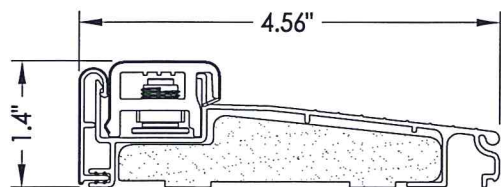
5-26-20

Documents Prepared By: Lyndon F. Schmidt, P.E.
TEXAS P.E. #104123

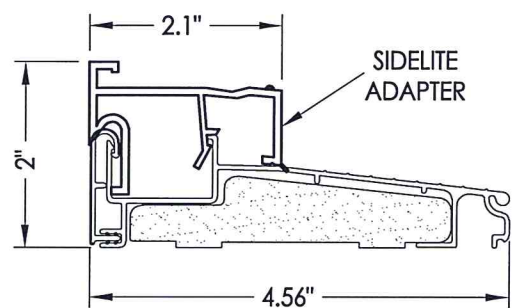
RW BUILDING CONSULTANTS, INC.
P.O. Box 230 Valrico FL 33595
Phone No.: 813.659.9197
TEXAS BOARD OF PROFESSIONAL ENGINEERS
CERTIFICATE OF REGISTRATION # F-11852

PRODUCT:		PLASTPRO INC FIBERGLASS DOOR	
PART OR ASSEMBLY:		HARDWARE DETAILS	
NO.	DATE	DESCRIPTION	BY
1	5/26/20	UPDATE TO 2018 IBC/IRC CODE	LFS
REVISIONS			
DATE:		4/29/19	
SCALE:		N.T.S.	
DWG. BY:		MT	
CHK. BY:		LFS	
DRAWING NO.:		TX-4923	
SHEET		7 OF 9	

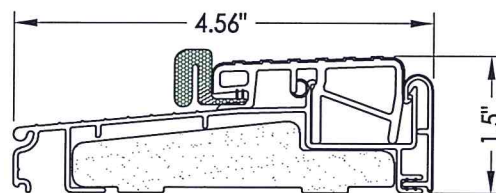
R:\Clients\Plastpro, Inc PERMANENT\B - TD\TDI - DR 1057 Direct Glazed Non-Impact\C - Drawings\TX-4923.dwg, 8



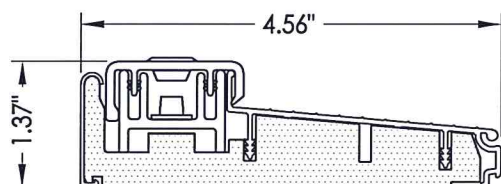
20 INSWING THRESHOLD
Endura (Z-Series)



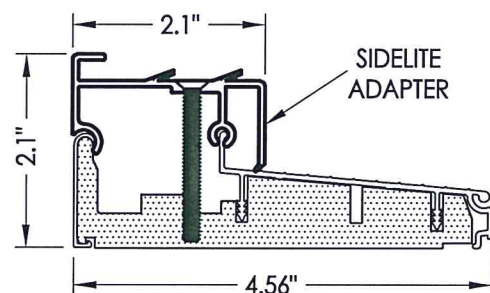
21 INSWING THRESHOLD w/ SIDELITE ADAPTER
Endura (Z-Series)



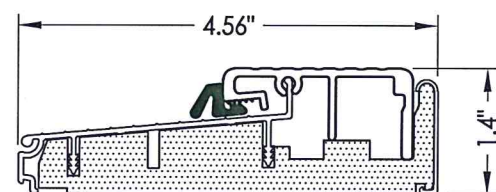
22 OUTSWING THRESHOLD
Endura (Z-Series)



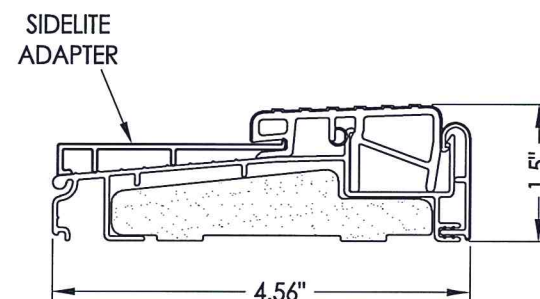
24 INSWING THRESHOLD
Columbia



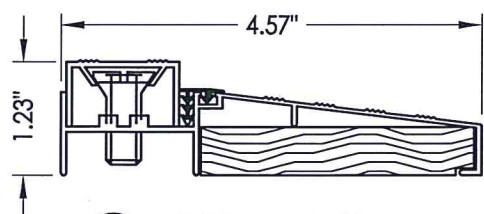
25 INSWING THRESHOLD w/ SIDELITE ADAPTER
Columbia



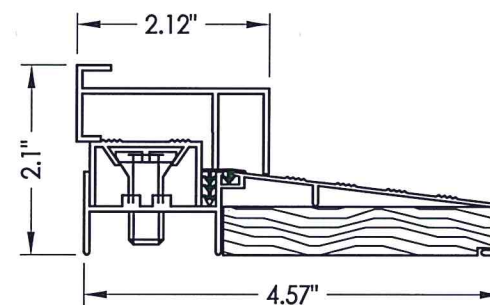
26 OUTSWING THRESHOLD
Columbia



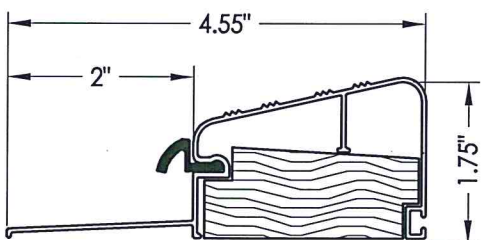
23 OUTSWING THRESHOLD w/ SIDELITE ADAPTER
Endura (Z-Series)



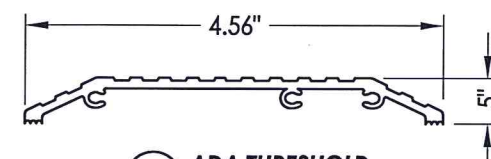
27 INSWING THRESHOLD
DLP



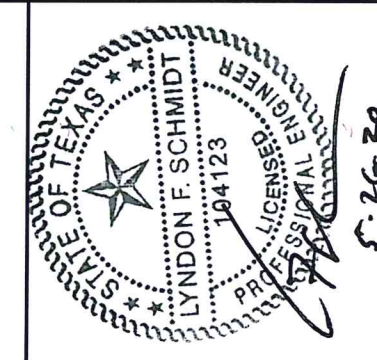
28 INSWING THRESHOLD w/ SIDELITE ADAPTER
DLP



29 OUTSWING THRESHOLD
DLP (QOSR)



30 ADA THRESHOLD
DLP



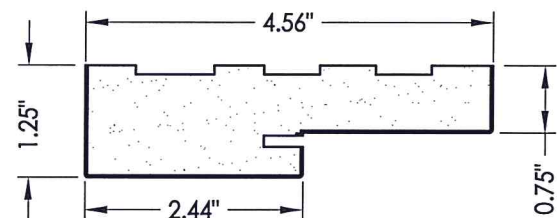
Documents Prepared By: Lyndon F. Schmidt, P.E.
TEXAS P.E. #104123

R.W. BUILDING CONSULTANTS, INC.
P.O. Box 230 Valrico FL 33595
Phone No.: 813.659.9197
TEXAS BOARD OF PROFESSIONAL ENGINEERS
CERTIFICATE OF REGISTRATION # F-11852

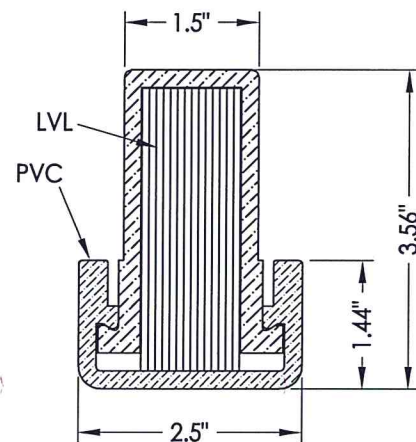
PRODUCT:		PLASTPRO INC FIBERGLASS DOOR	
PART OR ASSEMBLY:		COMPONENTS	
NO.	DATE	UPDATE TO 2018 IBC/IRC CODE	BY
1	5/26/20	LFS	
REVISIONS			
DATE: 4/29/19			
SCALE: N.T.S.			
DWG. BY: MT			
CHK. BY: LFS			
DRAWING NO.: TX-4923			
SHEET 8 OF 9			

BILL OF MATERIALS

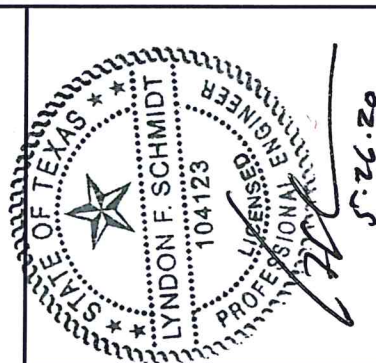
ITEM #	DESCRIPTION	MATERIAL
A	2X FRAMING (G >= 0.42)	WOOD
C	1/4" MAX. SHIM SPACE	-
D	1/4" Ø PFH ELCO OR ITW CONCRETE SCREW (1-3/4" MIN. EMBEDMENT)	STEEL
G	3/16" Ø PFH ITW CONCRETE SCREW (1-3/4" MIN. EMB.)	STEEL
J	#10 X 2" PFH WOOD SCREW	STEEL
L	#10 X 2-1/2" PFH WOOD SCREW (1.15" MIN. EMB.)	STEEL
P	#10 PFH WOOD SCREW (1-1/2" MIN. EMB.)	STEEL
1	POLY FIBER JAMB	COMP
3	MULLION (PLASTPRO)	PVC/LVL
6	DOOR SWEEP	PVC
7	WEATHERSTRIP	FOAM
9	#9 X 3/4" PFH WOOD SCREW	STEEL
11	4" X 4" HINGE	STEEL
12	LATCH STRIKE PLATE	STEEL
13	DEADBOLT STRIKE PLATE	STEEL
14	10-32 X 3/8" PFH MACHINE SCREW	STEEL
15	#12 X 2-1/2" PFH WOOD SCREW	STEEL
16	#8 X 2-1/2" PFH WOOD SCREW	STEEL
20	INSWING THRESHOLD	ALUM/COMP
21	INSWING THRESHOLD w/ SIDELITE ADAPTER	ALUM/COMP
22	OUTSWING THRESHOLD	ALUM/COMP
23	OUTSWING THRESHOLD w/ SIDELITE ADAPTER	ALUM/COMP
24	INSWING THRESHOLD	ALUM/COMP
25	INSWING THRESHOLD w/ SIDELITE ADAPTER	ALUM/COMP
26	OUTSWING THRESHOLD	ALUM/COMP
27	INSWING THRESHOLD	ALUM/WOOD
28	INSWING THRESHOLD w/ SIDELITE ADAPTER	ALUM/WOOD
29	OUTSWING THRESHOLD	ALUM/WOOD
30	ADA THRESHOLD	ALUM
32	#10 X 3" PFH WOOD SCREW	STEEL
40	DOOR PANEL	-
50	SIDELITE PANEL	-



1 POLY FIBER JAMB
Plastpro PF Jamb



3 INTEGRAL MULLION
Plastpro (3-Piece)



Documents Prepared By: Lyndon F. Schmidt, P.E.
TEXAS P.E. #104123

RW BUILDING CONSULTANTS, INC.
P.O. Box 230 Valrico FL 33595
Phone No.: 813.659.9197

TEXAS BOARD OF PROFESSIONAL ENGINEERS
CERTIFICATE OF REGISTRATION # F-11852

PRODUCT: PLASTPRO INC
FIBERGLASS DOOR

PART OR ASSEMBLY:
BILL OF MATERIALS
& COMPONENTS

NO.	DATE	BY	REVISIONS
1	5/26/20	LFS	UPDATE TO 2018 IBC/IRC CODE

DATE: 4/29/19
SCALE: N.T.S.
DWG. BY: MT
CHK. BY: LFS
DRAWING NO.: TX-4923
SHEET 9 OF 9

CONCRETE ANCHOR NOTES:

- Concrete anchor locations at the corners may be adjusted to maintain the min. edge distance to mortar joints.
- Concrete anchor locations noted as "MAX. ON CENTER" must be adjusted to maintain the min. edge distance to mortar joints, additional concrete anchors may be required to ensure the "MAX. ON CENTER" dimension are not exceeded.
- Concrete anchor table:

ANCHOR TYPE	ANCHOR SIZE	MIN. EMBEDMENT	MIN. CLEARANCE TO MASONRY EDGE	MIN. CLEARANCE TO ADJACENT ANCHOR
ITW BUILDEX TAPCON®	3/16"	1-3/4"	3"	1-1/2"
	1/4"	1-3/4"	2"	4"
ELCO ULTRACON®	1/4"	1-3/4"	1"	4"

WOOD SCREW INSTALLATION NOTES:

- Maintain a minimum 5/8" edge distance, 1" end distance, & 1" o.c. spacing of wood screws to prevent the splitting of wood.