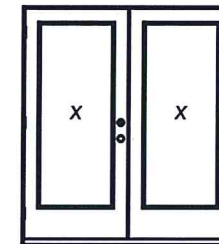
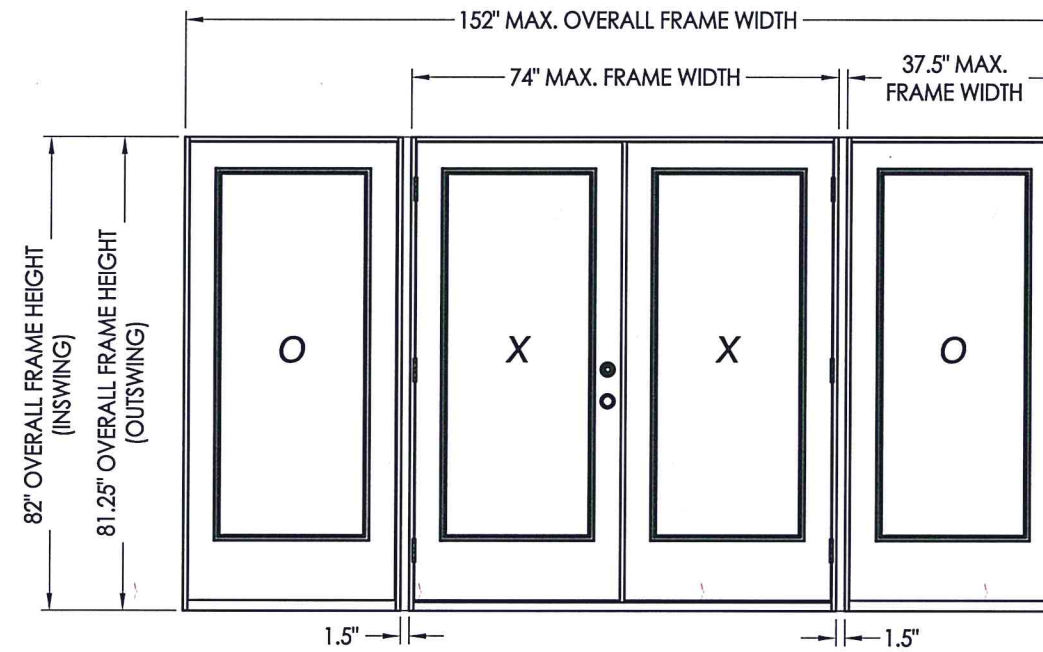


plastpro

5200 W. CENTURY BLVD.
LOS ANGELES, CA 90045

DIRECT GLAZED FIBERGLASS DOORS DOUBLES w/ or w/out SIDELITES IN SWING / OUT SWING "NON-IMPACT"



XX

EVALUATED FOR USE IN THE STATE OF TEXAS

The Fiberglass Door system described herein complies with the 2018 International Residential Code (IRC), Sections R301 & R609 and the 2018 International Building Code (IBC), Sections 1404.13, 1609, 1709.5, 2403 and 2404 subject to the following conditions:

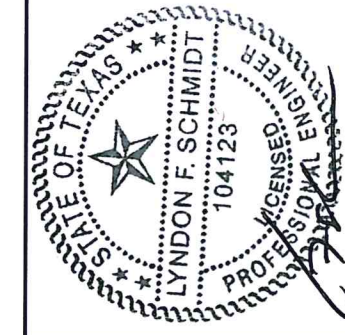
1. Anchors shall be as listed and spaced as shown in the details. Anchor embedment to base material shall be beyond wall dressing or stucco.
2. When used in areas requiring wind-borne debris protection this product is required to be protected with an impact resistant covering that complies with Section R301.2.1.2 of the IRC and Section 1609.1.2 of the IBC.
3. Allowable design pressure requirements must be equal to or less than the design pressure rating shown in the design pressure chart, sheet 1 of this drawing.
4. Conditions not covered by this drawing are subject to further engineering analysis.

TABLE OF CONTENTS

SHEET #	DESCRIPTION
1	Typical elevations, design pressures & general notes
2	Door & Sidelite panel details
3	Elevations
4	Horizontal & Vertical Cross Sections
5	Vertical Cross Sections
6	Frame anchoring & Hardware details
7	Bill of materials & components

CONFIGURATION	MAX. FRAME DIMENSION	ASTRAGAL	JAMB MATERIAL	JAMB REINFORCEMENT	DESIGN PRESSURE (PSF) INSWING		DESIGN PRESSURE (PSF) OUTSWING	
					POSITIVE	NEGATIVE	POSITIVE	NEGATIVE
XX	74.0" x 82.0"	DLP	FJP or PF	N/A	+45.0	-50.0	+45.0	-45.0
OXXO	149.0" x 82.0"	DLP	PF	N/A	+30.0	-40.0	+40.0	-40.0
	152.0" x 82.0"	DLP	FJP or PF	2X	+45.0	-50.0	+45.0	-45.0

FJP = FINGER JOINT PINE JAMB
PF = POLY FIBER JAMB



Documents Prepared By: Lyndon F. Schmidt, P.E.
TEXAS P.E. #104123

R.W. BUILDING CONSULTANTS, INC.
P.O. Box 230 Valrico FL 33595
Phone No.: 813.659.9197

TEXAS BOARD OF PROFESSIONAL ENGINEERS
CERTIFICATE OF REGISTRATION # F-11852

PRODUCT: PLASTPRO INC. FIBERGLASS DOOR
PART OR ASSEMBLY: TYPICAL ELEVATION, DESIGN PRESSURES & GENERAL NOTES

NO.	DATE	DESCRIPTION	BY
1	5/26/20	UPDATE TO 2018 IBC/IRC CODE	LFS

DATE: 4/29/19

SCALE: N.T.S.

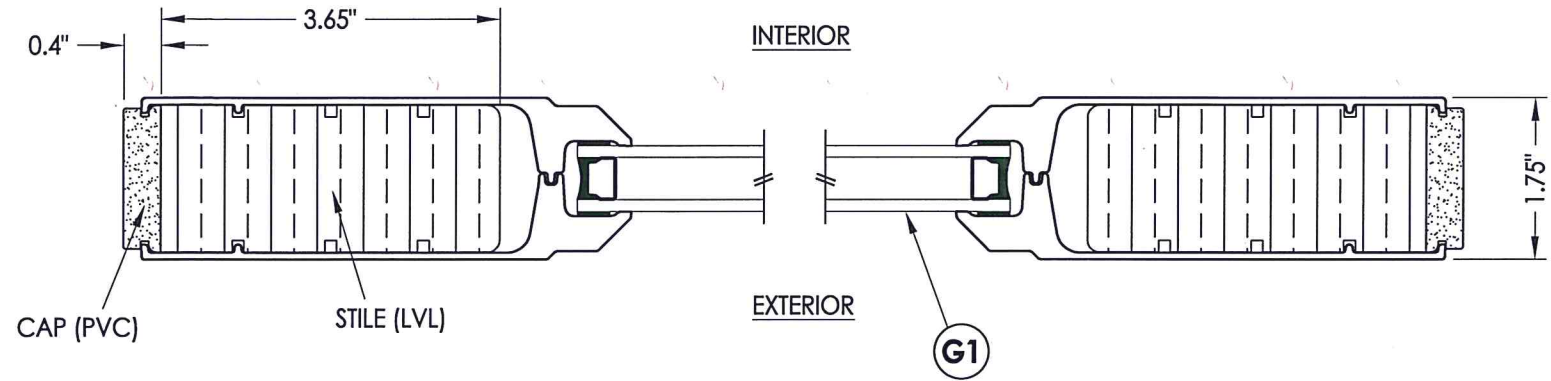
DWG. BY: MT

CHK. BY: LFS

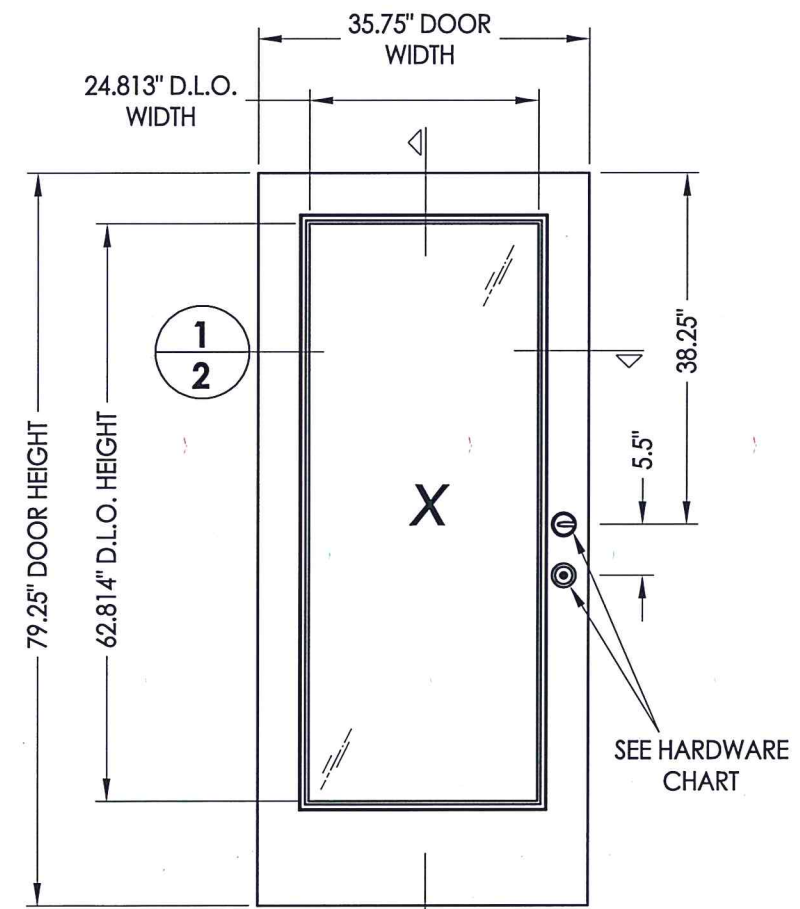
DRAWING NO.: TX-4921

SHEET 1 OF 7

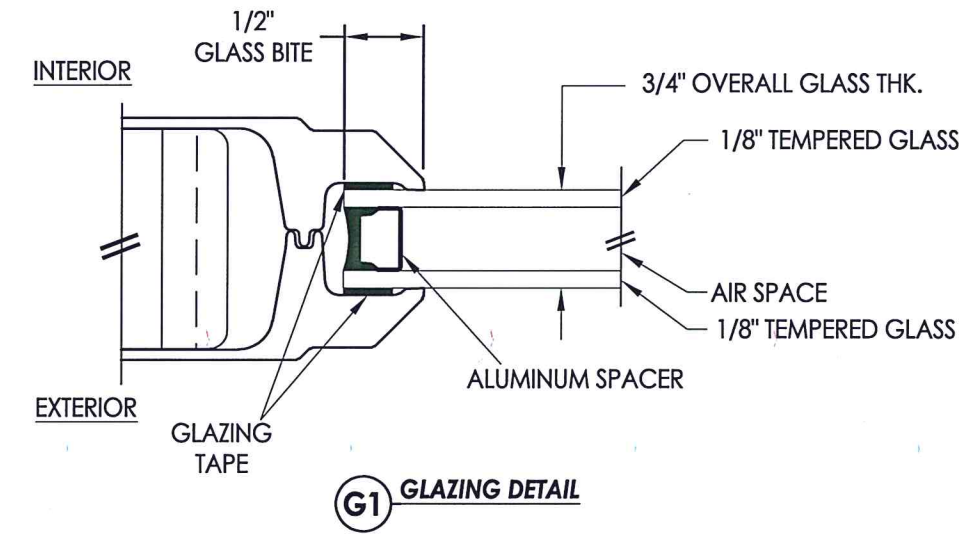
R:\Clients\Plastpro, Inc PERMANENT\B - TD\TDI - DR 1057 Direct Glazed Non-Impact\C - Drawings\TX-4921.dwg, 2.3



1
2 HORIZONTAL CROSS SECTION

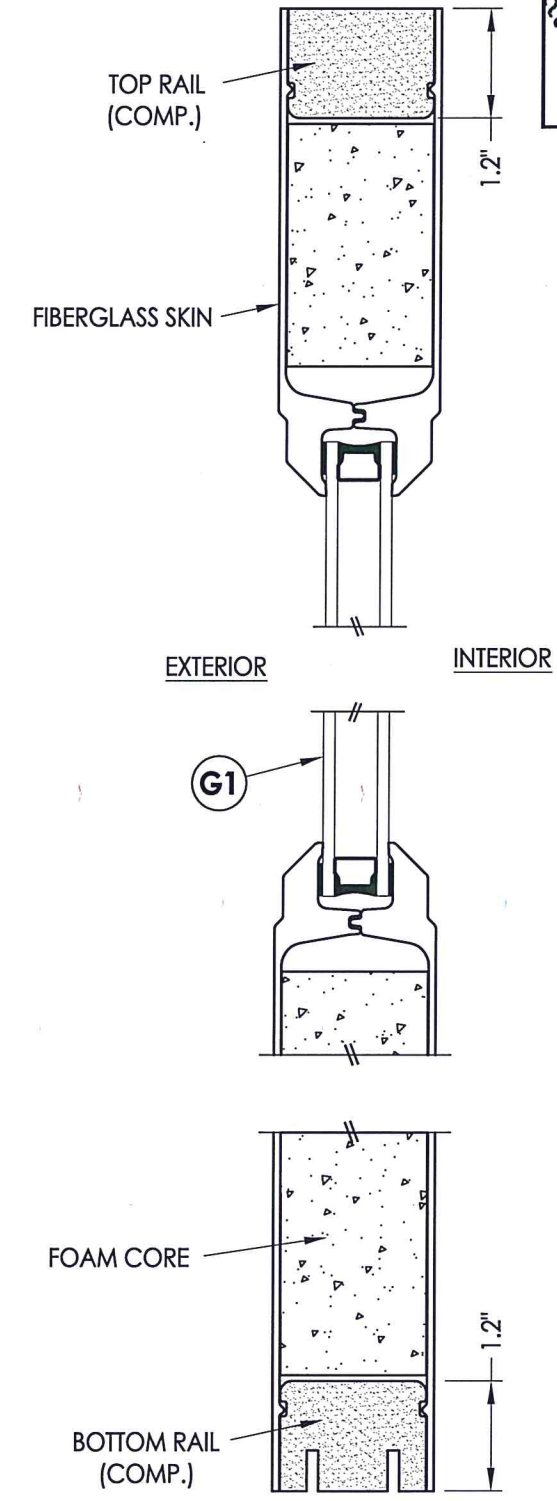


- 40** PLASTPRO DOOR PANEL
- 50** PLASTPRO SIDELITE PANEL

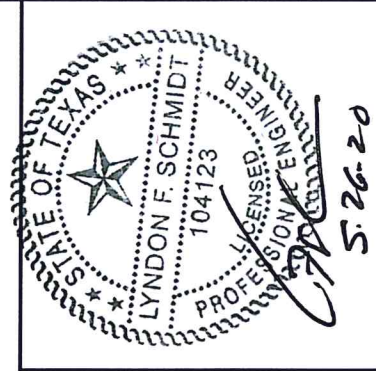


G1 GLAZING DETAIL

HARDWARE TABLE		
MANUFACTURER	MODEL	
YALE	KNOB:	YH COLLECTION
	DEADBOLT:	YH COLLECTION
KWIKSET	KNOB:	SIGNATURE SERIES
	DEADBOLT:	SIGNATURE SERIES (980)
SCHLAGE	KNOB:	F-SERIES (F51)
	DEADBOLT:	B-SERIES (B60)



2
2 VERTICAL CROSS SECTION



Documents Prepared By: Lyndon F. Schmidt, P.E.
TEXAS P.E. #104123

RW BUILDING CONSULTANTS, INC.
P.O. Box 230 Valrico FL, 33595
Phone No.: 813.659.9197

TEXAS BOARD OF PROFESSIONAL ENGINEERS
CERTIFICATE OF REGISTRATION # F-11852

PRODUCT: PLASTPRO INC. FIBERGLASS DOOR

PART OR ASSEMBLY: DOOR & SIDELITE PANEL DETAILS

NO.	DATE	REVISIONS
1	5/26/20	UPDATE TO 2018 IBC/IRC CODE
		LFS BY

DATE: 4/29/19

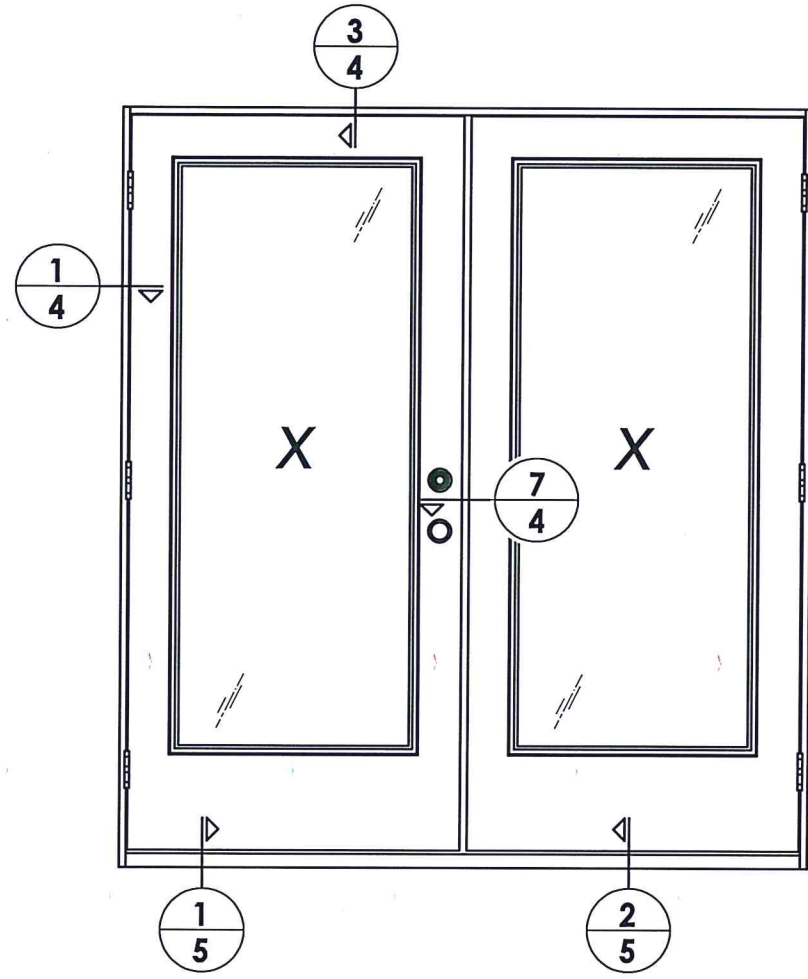
SCALE: N.T.S.

DWG. BY: MT

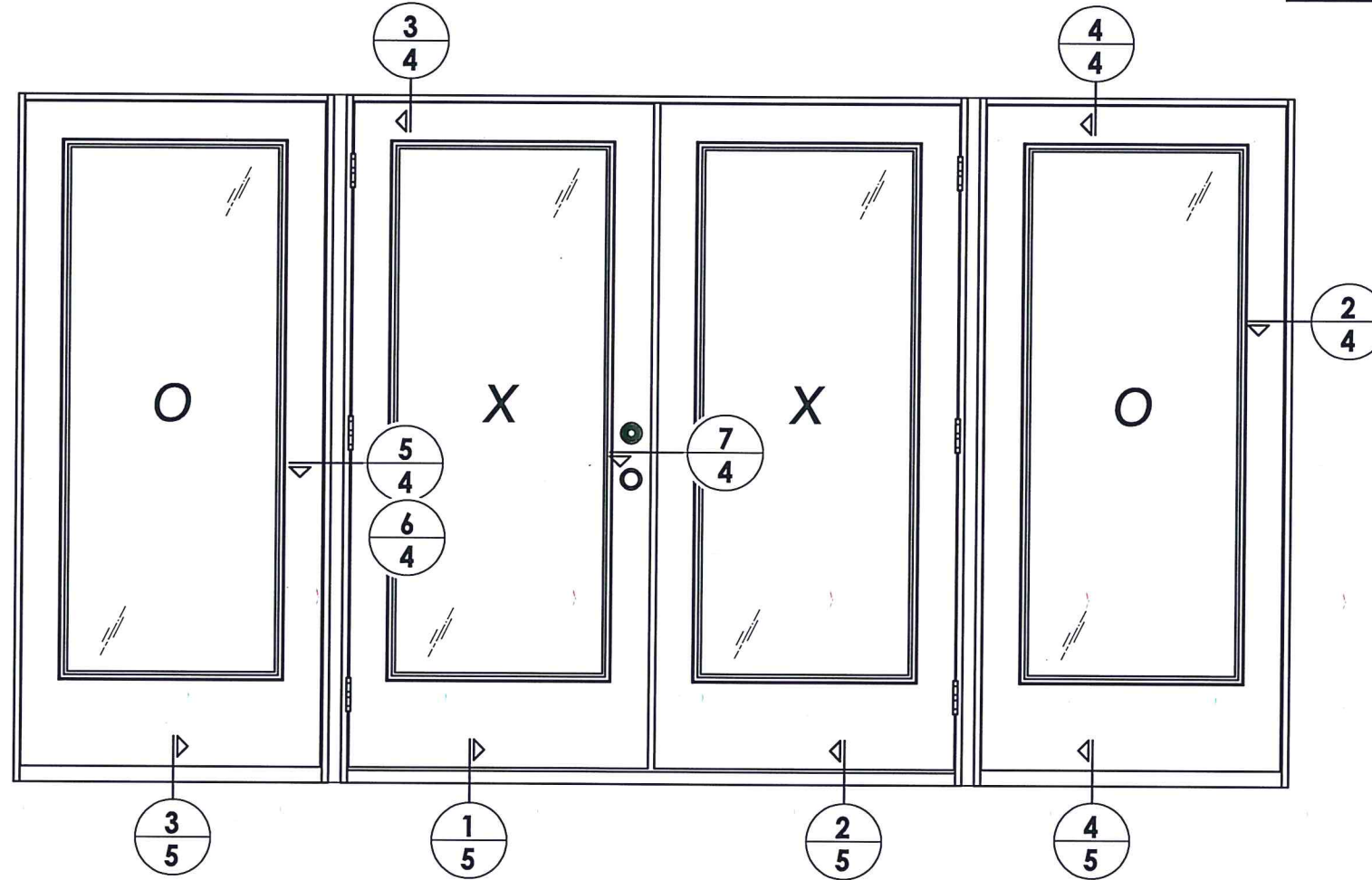
CHK. BY: LFS

DRAWING NO.: TX-4921

SHEET 2 OF 7



ELEVATION
XX



ELEVATION
OXXO



Documents Prepared By: Lyndon F. Schmidt, P.E.
TEXAS P.E. #104123

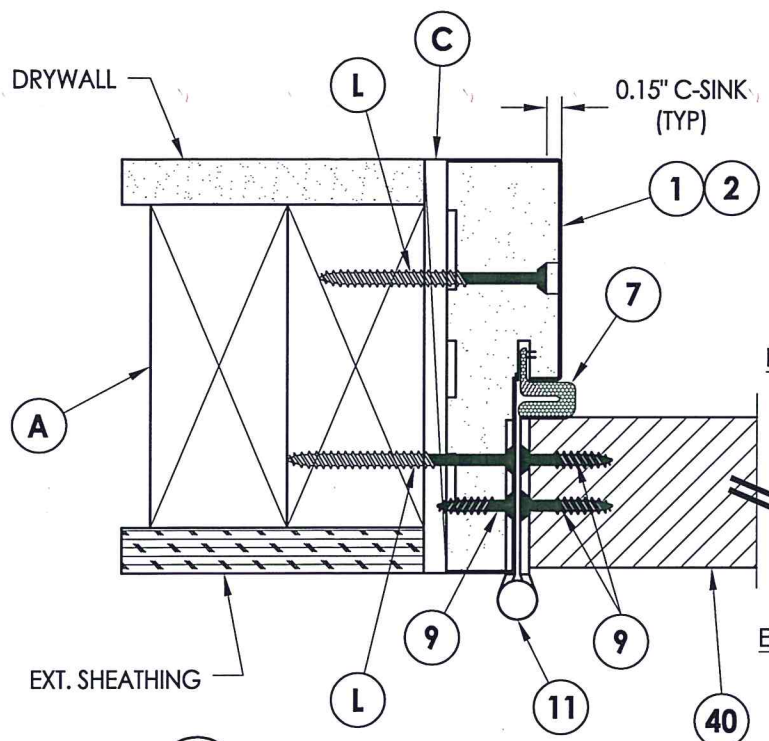
RW BUILDING CONSULTANTS, INC.
P.O. Box 230 Valrico FL 33595
Phone No.: 813.659.9197
TEXAS BOARD OF PROFESSIONAL ENGINEERS
CERTIFICATE OF REGISTRATION # F-11852

PRODUCT: PLASTPRO INC. FIBERGLASS DOOR
PART OR ASSEMBLY: ELEVATIONS

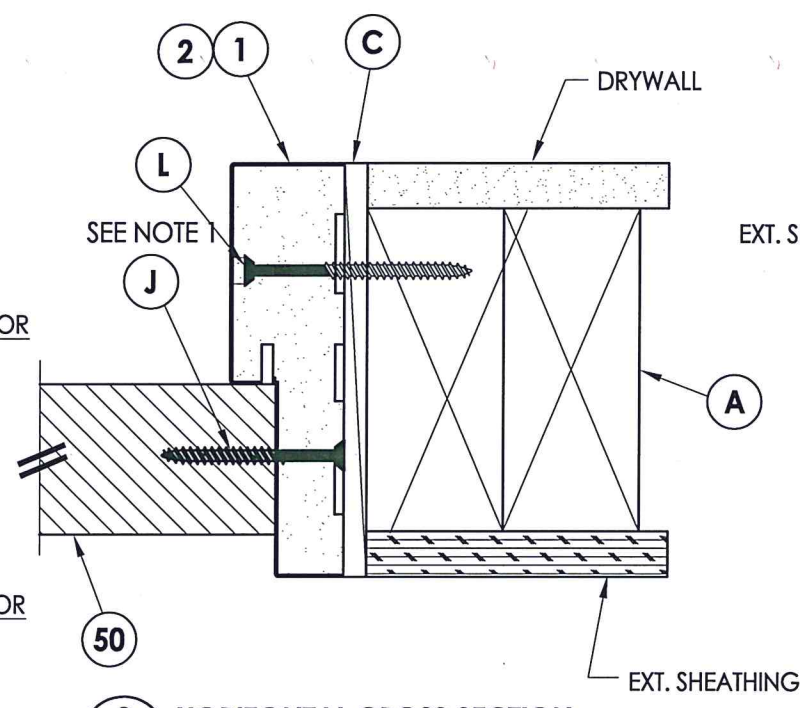
NO.	DATE	DESCRIPTION	LFS	BY
1	5/26/20	UPDATE TO 2018 IBC/IRC CODE	LFS	BY

DATE: 4/29/19
SCALE: N.T.S.
DWG. BY: MT
CHK. BY: LFS
DRAWING NO.: TX-4921
SHEET 3 OF 7

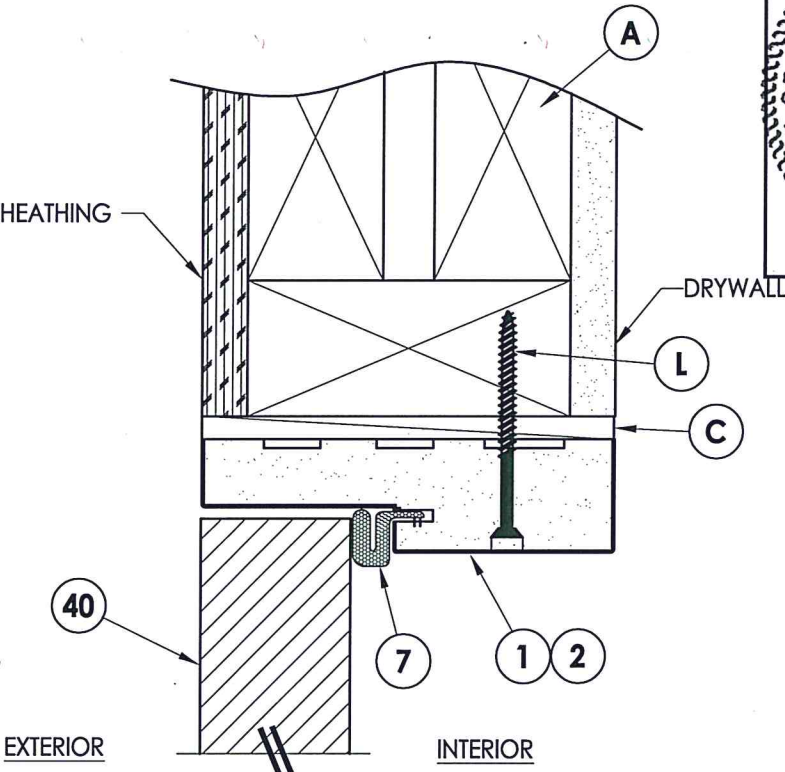
R:\Clients\Plastpro, Inc PERMANENT\B - TD\TDI - DR 1057 Direct Glazed Non-Impact\C - Drawings\TX-4921.dwg, 4.3



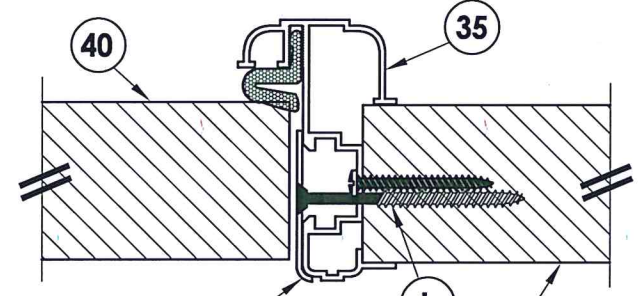
1 HORIZONTAL CROSS SECTION
4 Outswing shown (Inswing similar)



2 HORIZONTAL CROSS SECTION
4 Outswing shown (Inswing similar)

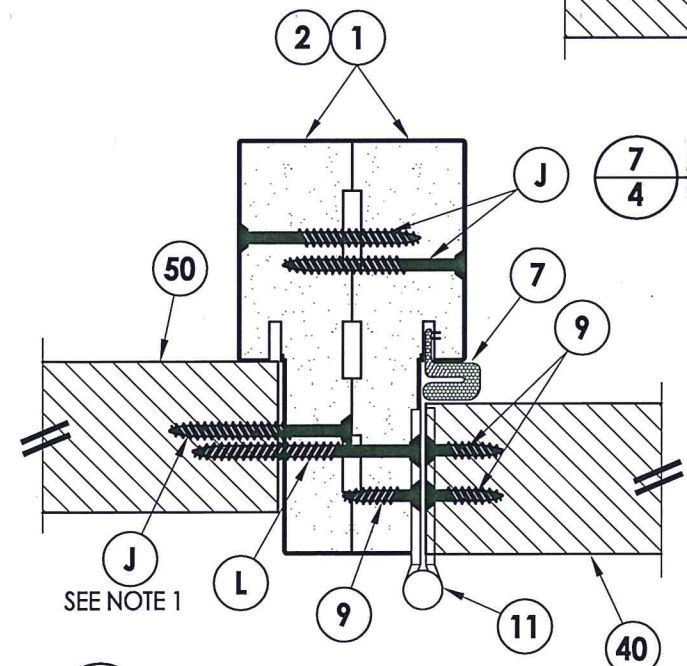


3 VERTICAL CROSS SECTION
4 Outswing shown (Inswing similar)

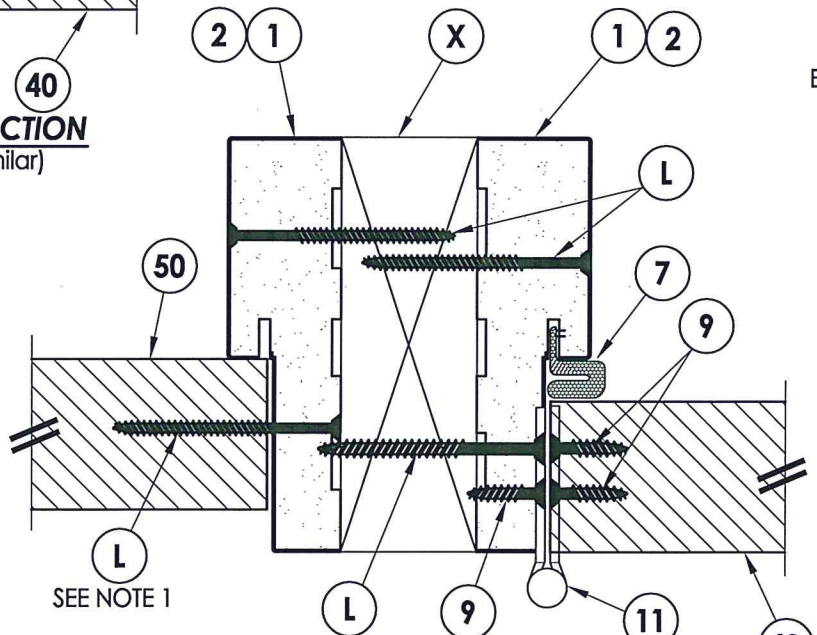


7 HORIZONTAL CROSS SECTION
4 Outswing shown (Inswing similar)

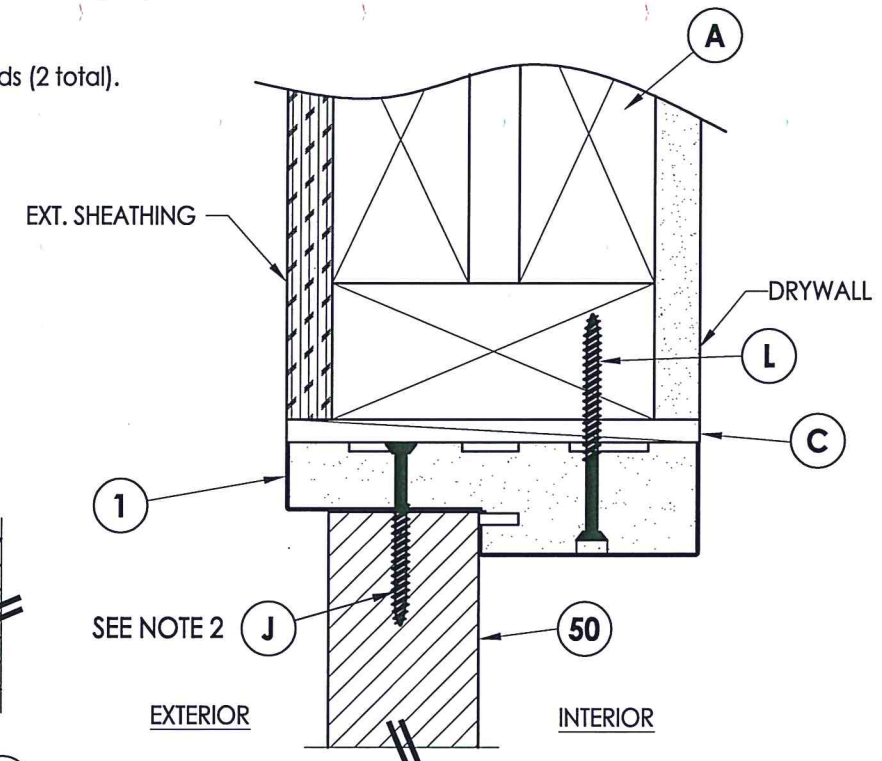
NOTES:
1. Spacing for item J: 6" from each end and 5 more equally spaced along sidelite jamb (7 total).
2. Spacing for item J @ head & sill: 6" from ends (2 total).



5 HORIZONTAL CROSS SECTION
4 Outswing shown (Inswing similar) Back-to-Back Jamb



6 HORIZONTAL CROSS SECTION
4 Outswing shown (Inswing similar) Shown w/ 2X Reinforcement



4 VERTICAL CROSS SECTION
4 Outswing shown (Inswing similar)



Documents Prepared By: Lyndon F. Schmidt, P.E.
TEXAS P.E. #104123

RW BUILDING CONSULTANTS, INC.
P.O. Box 230 Valrico FL 33595
Phone No.: 813.659.9197

TEXAS BOARD OF PROFESSIONAL ENGINEERS
CERTIFICATE OF REGISTRATION # F-11852

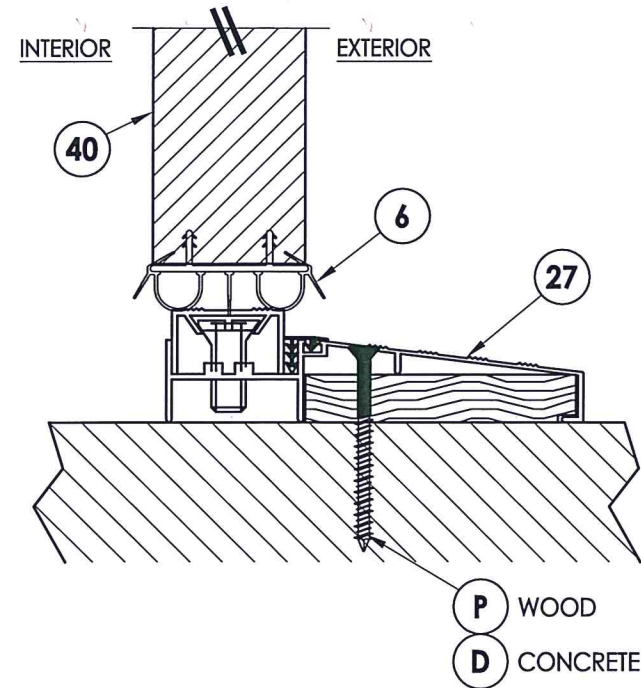
PRODUCT: PLASTPRO INC. FIBERGLASS DOOR

PART OR ASSEMBLY: HORIZONTAL & VERTICAL CROSS SECTIONS

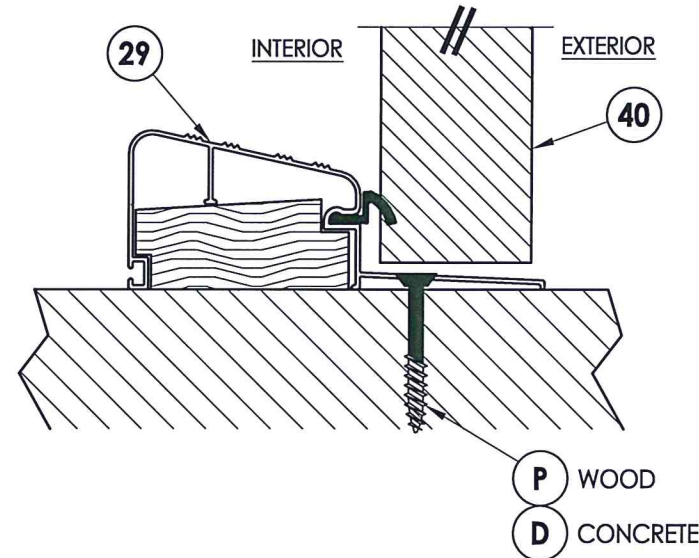
NO.	DATE	DESCRIPTION	BY
1	5/26/20	UPDATE TO 2018 IBC/IRC CODE	LFS

DATE: 4/29/19
SCALE: N.T.S.
DWG. BY: MT
CHK. BY: LFS
DRAWING NO.: TX-4921
SHEET 4 OF 7

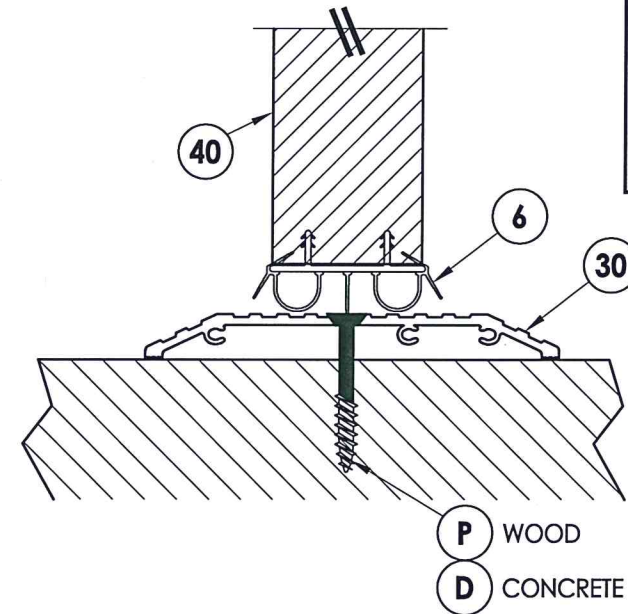
R:\Clients\Plastpro, Inc PERMANENT\B - TD\TDI - DR 1057 Direct Glazed Non-Impact\C - Drawings\TX-4921.dwg, 5



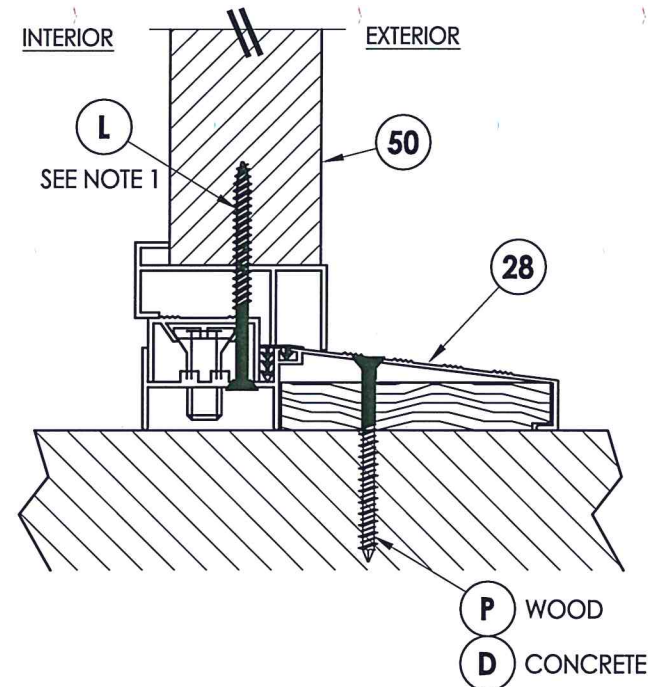
1 VERTICAL CROSS SECTION
5 Inswing sill



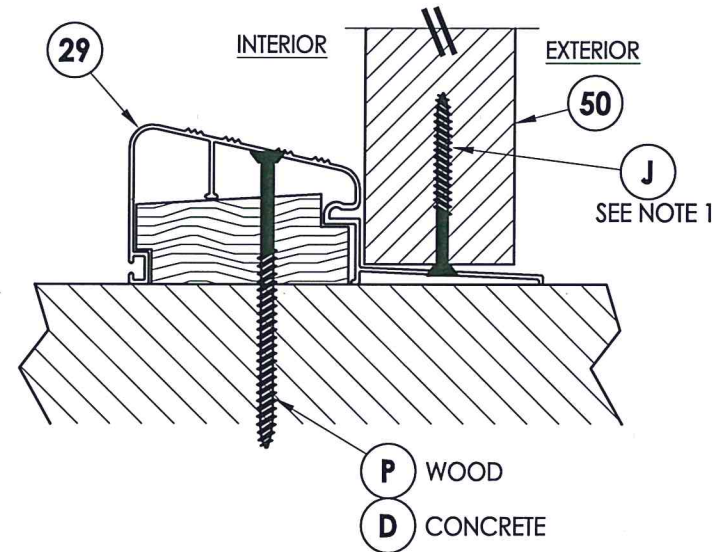
2 VERTICAL CROSS SECTION
5 Outswing sill



3 VERTICAL CROSS SECTION
5 ADA Sill

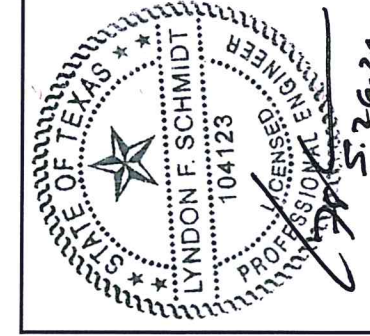


4 VERTICAL CROSS SECTION
5 Inswing sill



5 VERTICAL CROSS SECTION
5 Outswing sill

NOTE:
1. Spacing for item J & L @ head & sill: 6" from each end (2 total).



Documents Prepared By: Lyndon F. Schmidt, P.E.
TEXAS P.E. #104123

RW BUILDING CONSULTANTS, INC.
P.O. Box 230 Valrico FL 33595
Phone No.: 813.659.9197

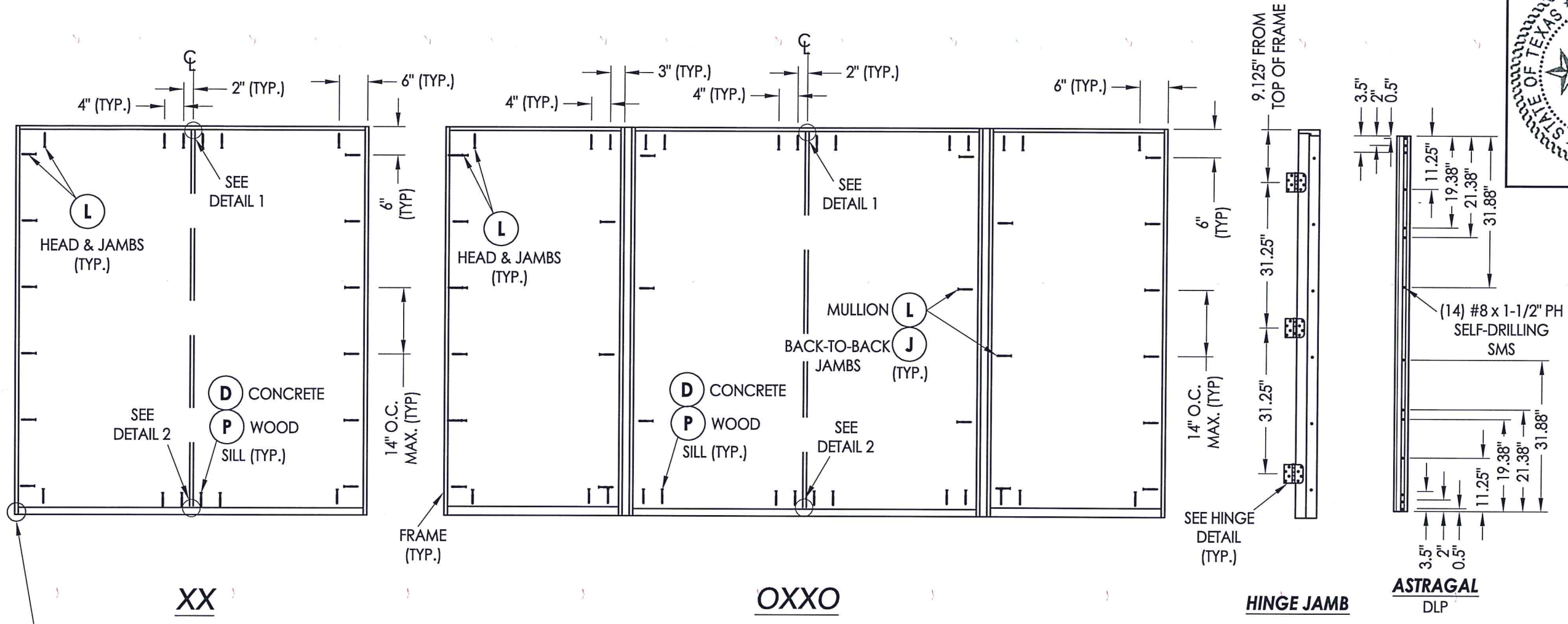
TEXAS BOARD OF PROFESSIONAL ENGINEERS
CERTIFICATE OF REGISTRATION # F-11852

PRODUCT: PLASTPRO INC. FIBERGLASS DOOR
PART OR ASSEMBLY: VERTICAL CROSS SECTIONS

NO.	DATE	DESCRIPTION	BY
1	5/26/20	UPDATE TO 2018 IBC/IRC CODE	LFS

DATE: 4/29/19
SCALE: N.T.S.
DWG. BY: MT
CHK. BY: LFS
DRAWING NO.: TX-4921
SHEET 5 OF 7

R:\Clients\Plastpro, Inc PERMANENT\B - TD\ITDI - DR 1057 Direct Glazed Non-Impact\C - Drawings\TX-4921.dwg, 6



NOTE: FRAME CORNERS ATTACHED w/ (3) #10 X 2-1/2" FH WOOD SCREWS (TYP.)

FRAME ANCHORING



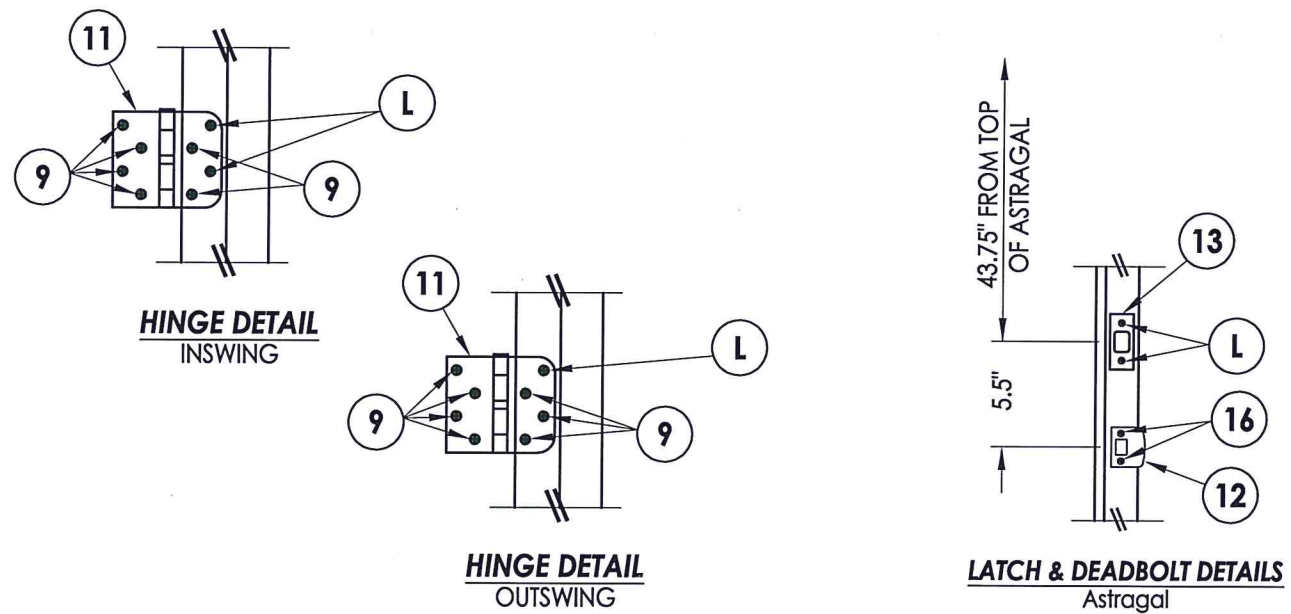
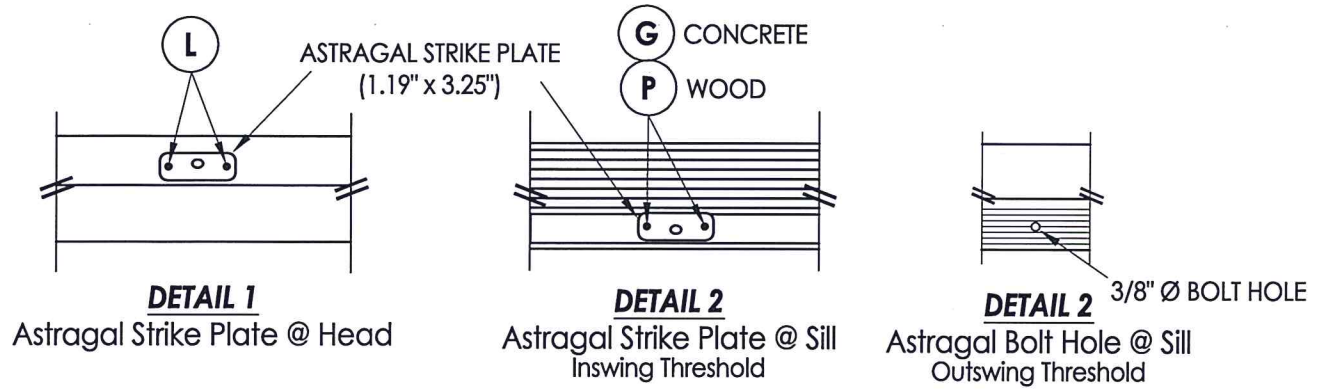
Documents Prepared By: Lyndon F. Schmidt, P.E.
 TEXAS P.E. #104123

RW BUILDING CONSULTANTS, INC.
 P.O. Box 230 Valrico FL, 33595
 Phone No.: 813.659.9197

TEXAS BOARD OF PROFESSIONAL ENGINEERS
 CERTIFICATE OF REGISTRATION # F-11852

PRODUCT: PLASTPRO INC. FIBERGLASS DOOR

PART OR ASSEMBLY: FRAME ANCHORING & HARDWARE DETAILS



HARDWARE DETAILS

NO.	DATE	REVISIONS
1	5/26/20	UPDATE TO 2018 IBC/IRC CODE
		LFS
		BY

DATE: 4/29/19
 SCALE: N.T.S.
 DWG. BY: MT
 CHK. BY: LFS
 DRAWING NO.: TX-4921
 SHEET 6 OF 7

R:\Clients\Plastpro, Inc PERMANENT\B - TD\TDI - DR 1057 Direct Glazed Non-Impact\C - Drawings\TX-4921.dwg, 7

BILL OF MATERIALS

ITEM #	DESCRIPTION	MATERIAL
A	2X FRAMING (G >= 0.42)	WOOD
C	1/4" MAX. SHIM SPACE	-
D	1/4" Ø PFH ELCO OR ITW CONCRETE SCREW (1-3/4" MIN. EMBEDMENT)	STEEL
G	3/16" Ø PFH ITW CONCRETE SCREW (1-3/4" MIN. EMB.)	STEEL
J	#10 X 2" PFH WOOD SCREW	STEEL
L	#10 X 2-1/2" PFH WOOD SCREW (1.15" MIN. EMB.)	STEEL
P	#10 PFH WOOD SCREW (1-1/2" MIN. EMB.)	STEEL
1	POLY FIBER JAMB	COMP
2	FINGER JOINT PINE JAMB	WOOD
6	DOOR SWEEP	PVC
7	WEATHERSTRIP	FOAM
9	#9 X 3/4" PFH WOOD SCREW	STEEL
11	4" X 4" HINGE	STEEL
12	LATCH STRIKE PLATE	STEEL
13	DEADBOLT STRIKE PLATE	STEEL
16	#8 X 2-1/2" PFH WOOD SCREW	STEEL
27	INSWING THRESHOLD	ALUM/COMP
28	INSWING THRESHOLD w/ SIDELITE ADAPTER	ALUM/COMP
29	OUTSWING THRESHOLD	ALUM/COMP
30	ADA THRESHOLD	ALUM
35	ASTRAGAL (DLP)	ALUM
40	DOOR PANEL	-
50	SIDELITE PANEL	-

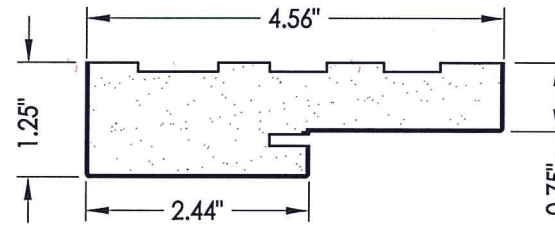
CONCRETE ANCHOR NOTES:

- Concrete anchor locations at the corners may be adjusted to maintain the min. edge distance to mortar joints.
- Concrete anchor locations noted as "MAX. ON CENTER" must be adjusted to maintain the min. edge distance to mortar joints, additional concrete anchors may be required to ensure the "MAX. ON CENTER" dimension are not exceeded.
- Concrete anchor table:

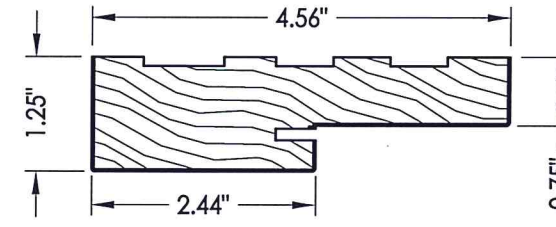
ANCHOR TYPE	ANCHOR SIZE	MIN. EMBEDMENT	MIN. CLEARANCE TO MASONRY EDGE	MIN. CLEARANCE TO ADJACENT ANCHOR
ITW BUILDEX TAPCON®	3/16"	1-3/4"	3"	1-1/2"
	1/4"	1-3/4"	2"	4"
ELCO ULTRACON®	1/4"	1-3/4"	1"	4"

WOOD SCREW INSTALLATION NOTES:

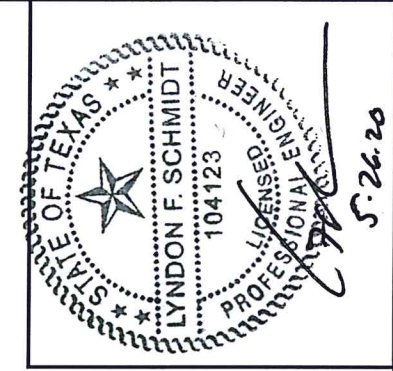
- Maintain a minimum 5/8" edge distance, 1" end distance, & 1" o.c. spacing of wood screws to prevent the splitting of wood.



1 POLY FIBER JAMB
Plastpro PF Jamb



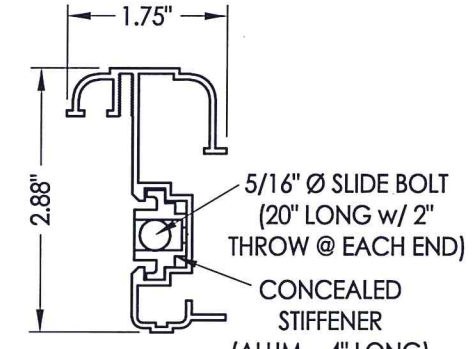
2 FINGER JOINT PINE JAMB



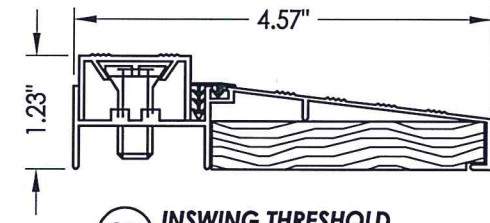
Documents Prepared By: Lyndon F. Schmidt, P.E.
TEXAS P.E. #104123

RW BUILDING CONSULTANTS, INC.
P.O. Box 230 Valrico FL 33595
Phone No.: 813.659.9197

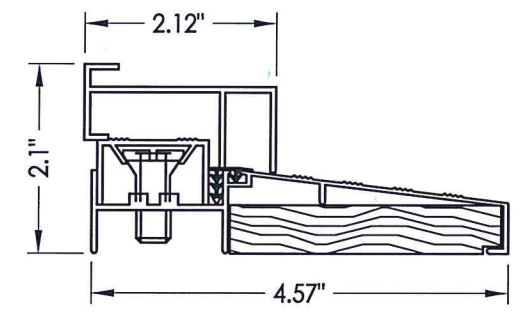
TEXAS BOARD OF PROFESSIONAL ENGINEERS
CERTIFICATE OF REGISTRATION # F-11852



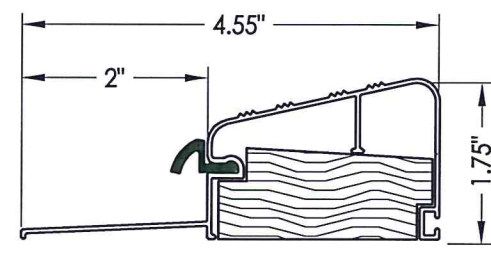
35 DLP ASTRAGAL



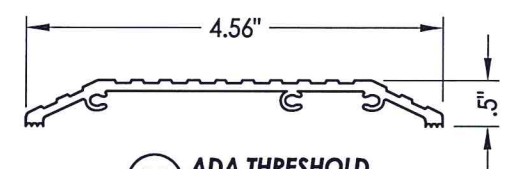
27 INSWING THRESHOLD
DLP



28 INSWING THRESHOLD w/ SIDELITE ADAPTER
DLP



29 OUTSWING THRESHOLD
DLP (QOSR)



30 ADA THRESHOLD
DLP

PRODUCT: PLASTPRO INC. FIBERGLASS DOOR

PART OR ASSEMBLY: BILL OF MATERIALS & COMPONENTS

NO.	DATE	DESCRIPTION	LFS	BY
1	5/26/20	UPDATE TO 2018 IBC/IRC CODE		

REVISIONS

DATE: 4/29/19

SCALE: N.T.S.

DWG. BY: MT

CHK. BY: LFS

DRAWING NO.: TX-4921

SHEET 7 OF 7