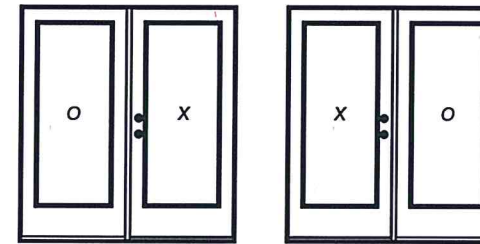
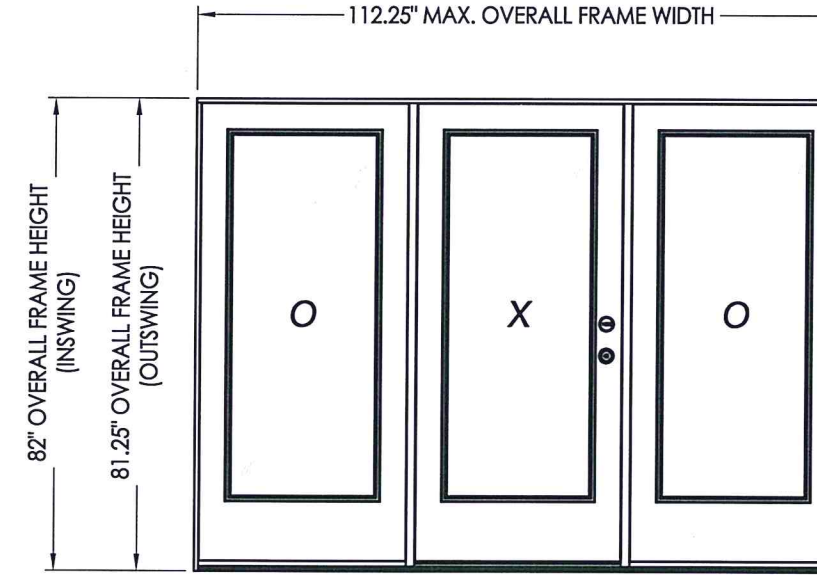


plastpro

5200 W. CENTURY BLVD.
LOS ANGELES, CA 90045

DIRECT GLAZED FIBERGLASS DOORS SINGLES w/ SIDELITE(S) INSWING / OUTSWING "NON-IMPACT"



OX

XO

CONTINUOUS HEAD & SILL

CONFIGURATION	MAX. FRAME DIMENSION	DESIGN PRESSURE (PSF) INSWING		DESIGN PRESSURE (PSF) OUTSWING	
		POSITIVE	NEGATIVE	POSITIVE	NEGATIVE
OX/XO	74.75" x 82.0"	+55.0	-60.0	+55.0	-55.0
OXO	112.25" x 82.0"	+55.0	-60.0	+55.0	-55.0

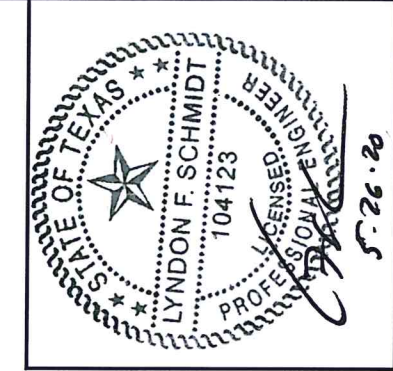
EVALUATED FOR USE IN THE STATE OF TEXAS

The Fiberglass Door system described herein complies with the 2018 International Residential Code (IRC), Sections R301 & R609 and the 2018 International Building Code (IBC), Sections 1404.13, 1609, 1709.5, 2403 and 2404 subject to the following conditions:

1. Anchors shall be as listed and spaced as shown in the details. Anchor embedment to base material shall be beyond wall dressing or stucco.
2. When used in areas requiring wind-borne debris protection this product is required to be protected with an impact resistant covering that complies with Section R301.2.1.2 of the IRC and Section 1609.1.2 of the IBC.
3. Allowable design pressure requirements must be equal to or less than the design pressure rating shown in the design pressure chart, sheet 1 of this drawing.
4. Conditions not covered by this drawing are subject to further engineering analysis.

TABLE OF CONTENTS

SHEET #	DESCRIPTION
1	Typical elevations, design pressures & general notes
2	Door & Sidelite panel details
3	Elevations
4	Horizontal cross sections
5	Horizontal & Vertical Cross Sections
6	Vertical Cross Sections
7	Frame anchoring
8	Hardware details
9	Components
10	Bill of materials & components



Documents Prepared By: Lyndon F. Schmidt, P.E.
TEXAS P.E. #104123

RW BUILDING CONSULTANTS, INC.
P.O. Box 230 Valrico FL 33595
Phone No.: 813.659.9197

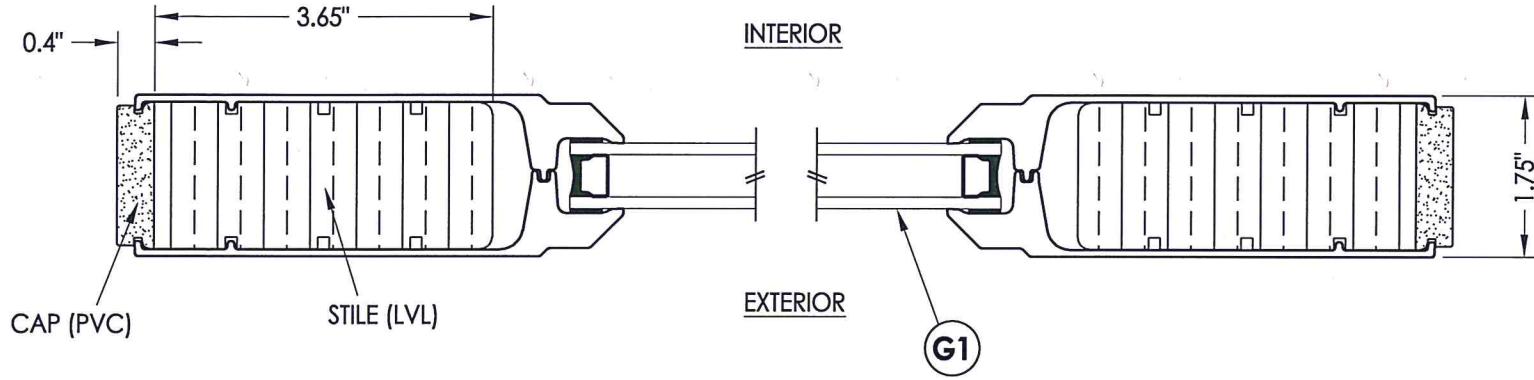
TEXAS BOARD OF PROFESSIONAL ENGINEERS
CERTIFICATE OF REGISTRATION # F-11852

PRODUCT: PLASTPRO INC FIBERGLASS DOOR
PART OR ASSEMBLY: TYPICAL ELEVATION, DESIGN PRESSURES & GENERAL NOTES

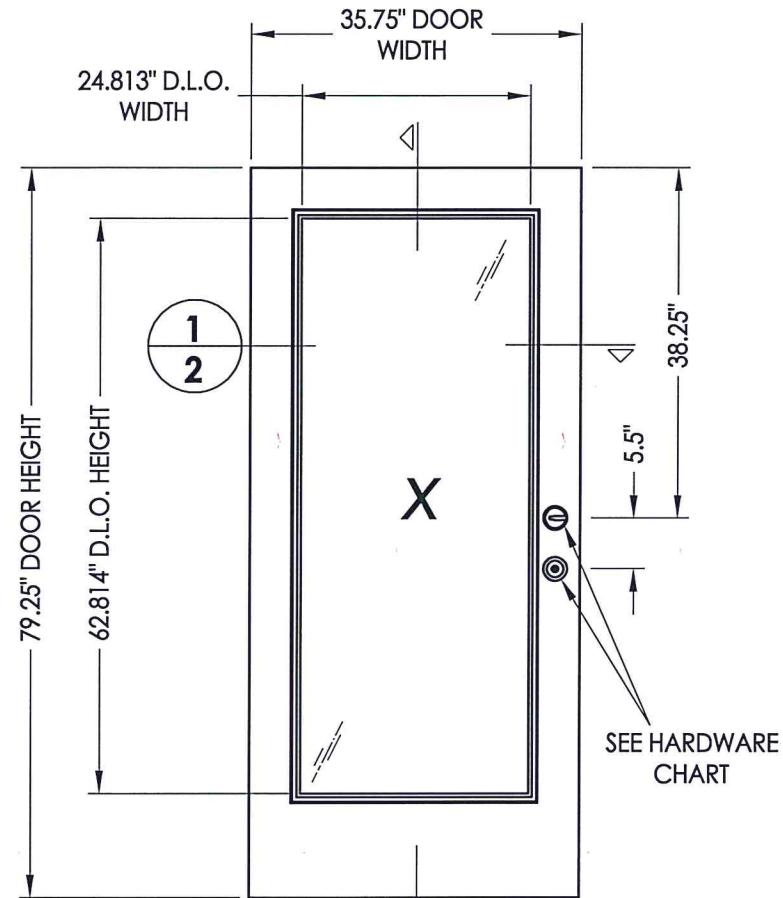
NO.	DATE	REVISIONS	BY
1	5/26/20	UPDATE TO 2018 IBC/IRC CODE	LFS

DATE: 4/29/19
SCALE: N.T.S.
DWG. BY: MT
CHK. BY: LFS
DRAWING NO.: TX-4919
SHEET 1 OF 9

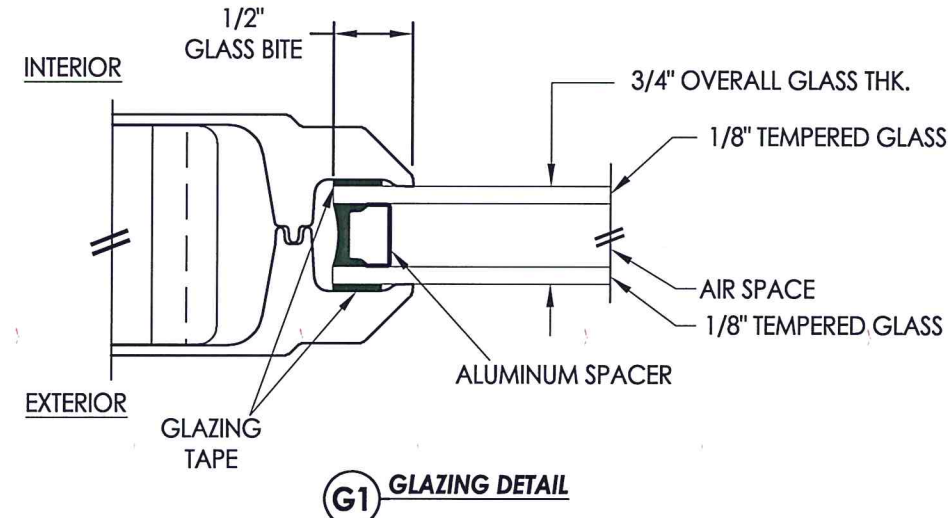
R:\Clients\Plastpro, Inc PERMANENT\B - TD\TDL - DR 1057 Direct Glazed Non-Impact\C - Drawings\TX-4919.dwg, 2.3



1
2 HORIZONTAL CROSS SECTION

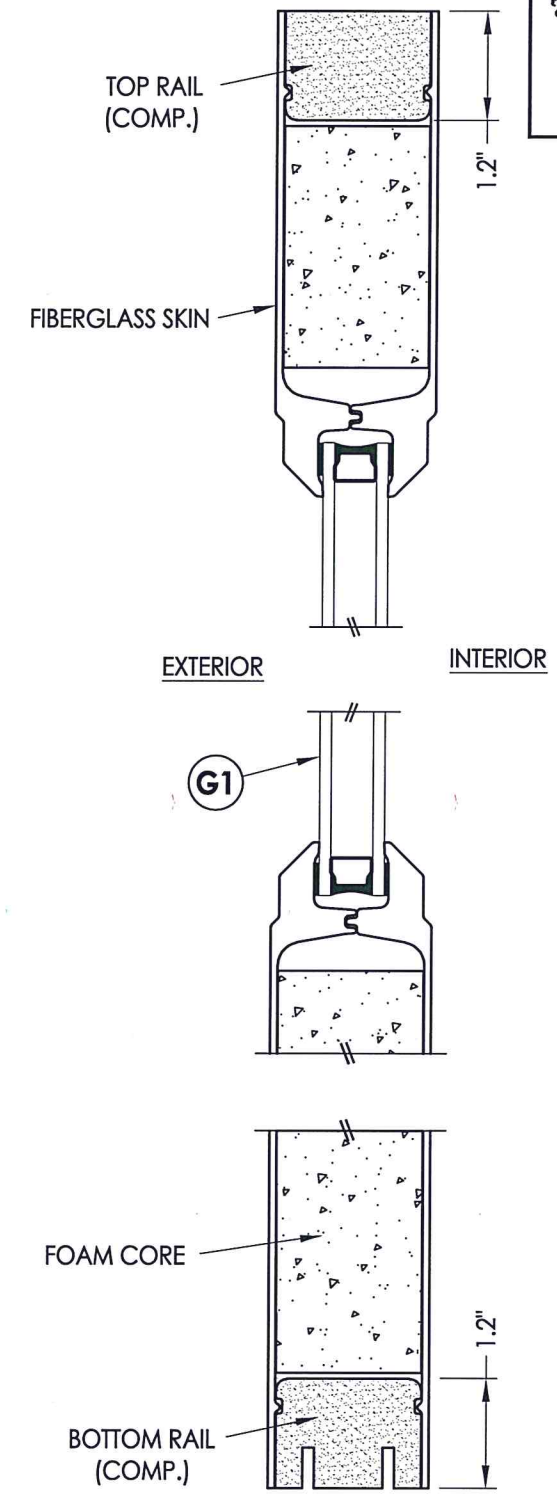


- 40** PLASTPRO DOOR PANEL
- 50** PLASTPRO SIDELITE PANEL

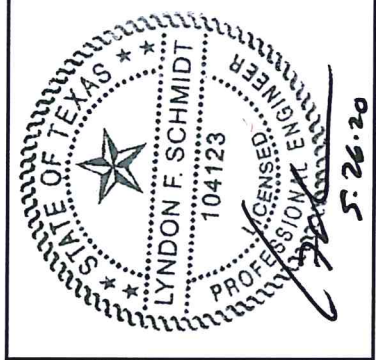


G1 GLAZING DETAIL

HARDWARE TABLE		
MANUFACTURER	MODEL	
YALE	KNOB:	YH COLLECTION
	DEADBOLT:	YH COLLECTION
KWIKSET	KNOB:	SIGNATURE SERIES
	DEADBOLT:	SIGNATURE SERIES (980)
SCHLAGE	KNOB:	F-SERIES (F51)
	DEADBOLT:	B-SERIES (B60)



2
2 VERTICAL CROSS SECTION



Documents Prepared By: Lyndon F. Schmidt, P.E.
TEXAS P.E. #104123

RW BUILDING CONSULTANTS, INC.
P.O. Box 230 Vairico FL 33595
Phone No.: 813.659.9197

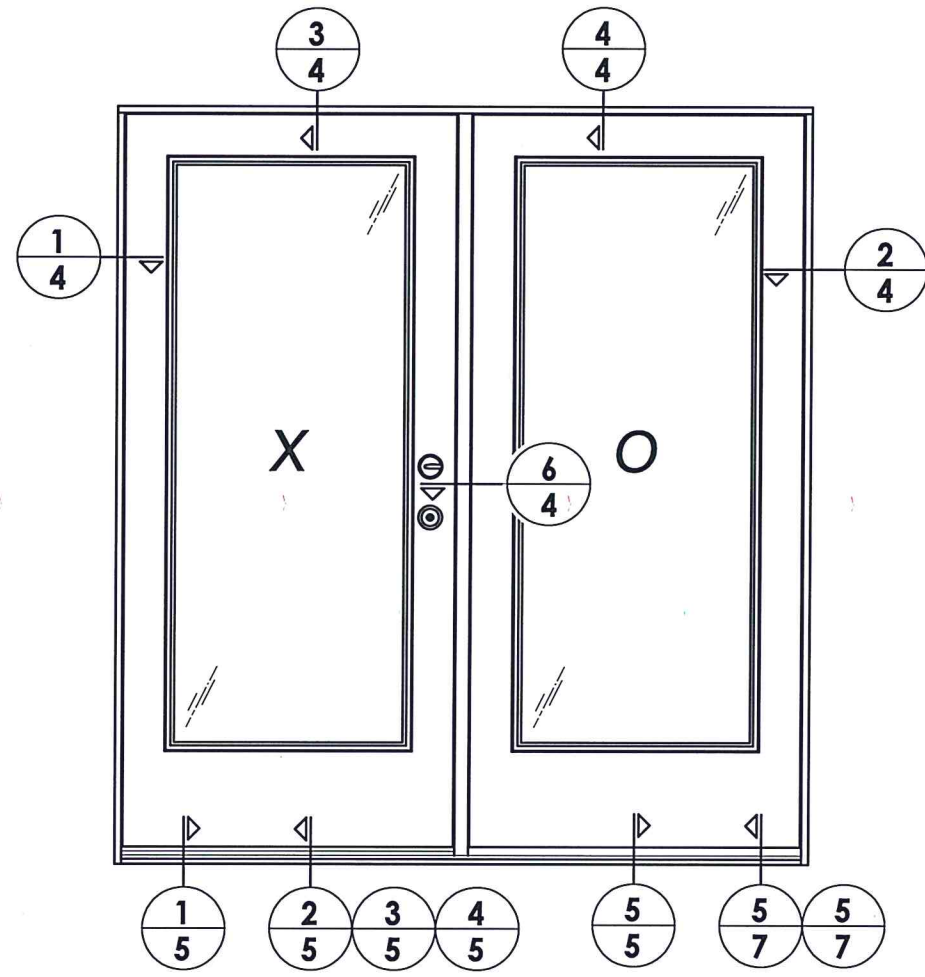
TEXAS BOARD OF PROFESSIONAL ENGINEERS
CERTIFICATE OF REGISTRATION # F-11852

PRODUCT: PLASTPRO INC FIBERGLASS DOOR

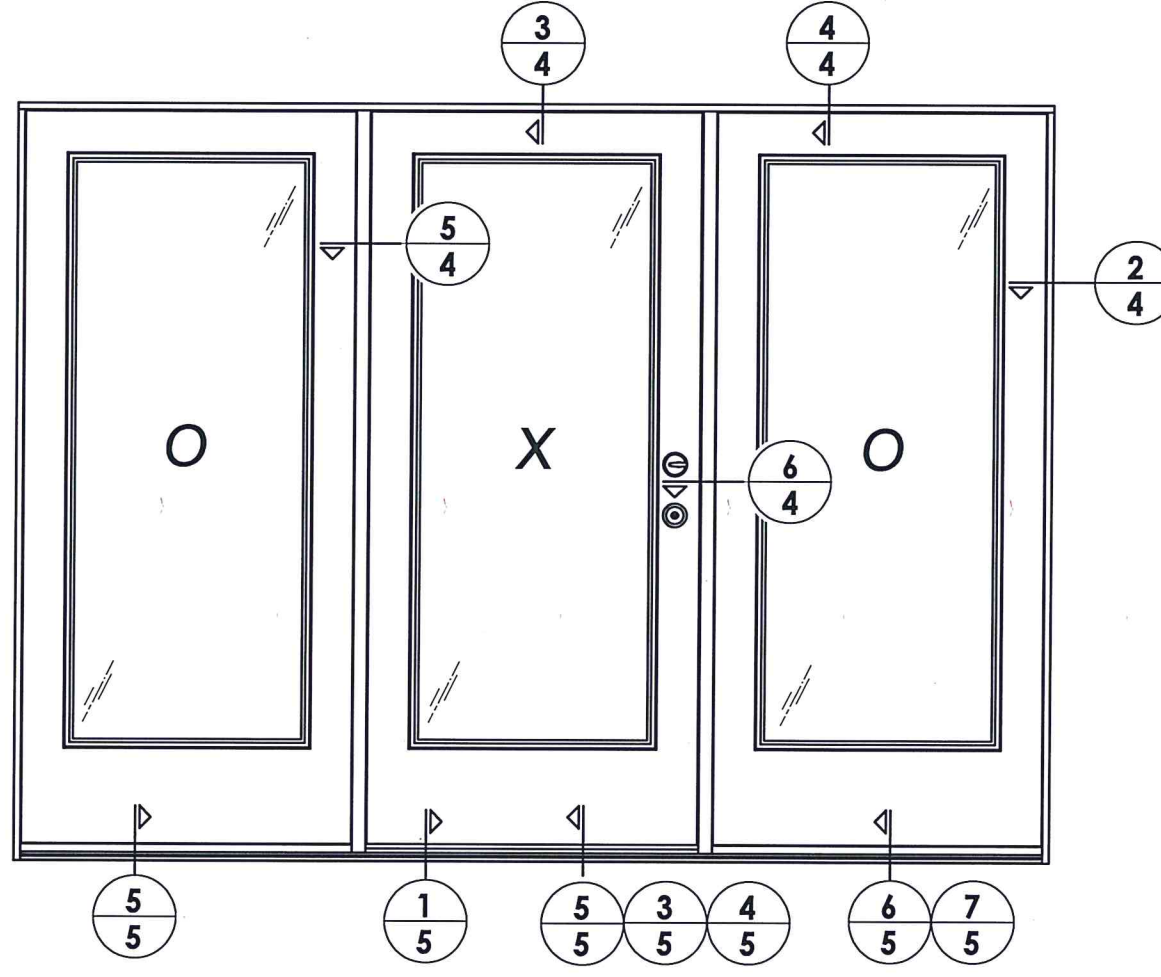
PART OR ASSEMBLY: DOOR & SIDELITE PANEL DETAILS

NO.	DATE	DESCRIPTION	BY
1	5/26/20	UPDATE TO 2018 IBC/IRC CODE	LFS

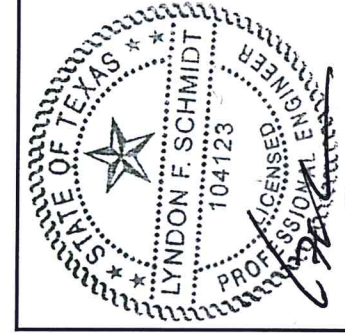
DATE: 4/29/19
SCALE: N.T.S.
DWG. BY: MT
CHK. BY: LFS
DRAWING NO.: TX-4919
SHEET 2 OF 9



ELEVATION
XO / OX



ELEVATION
OXO

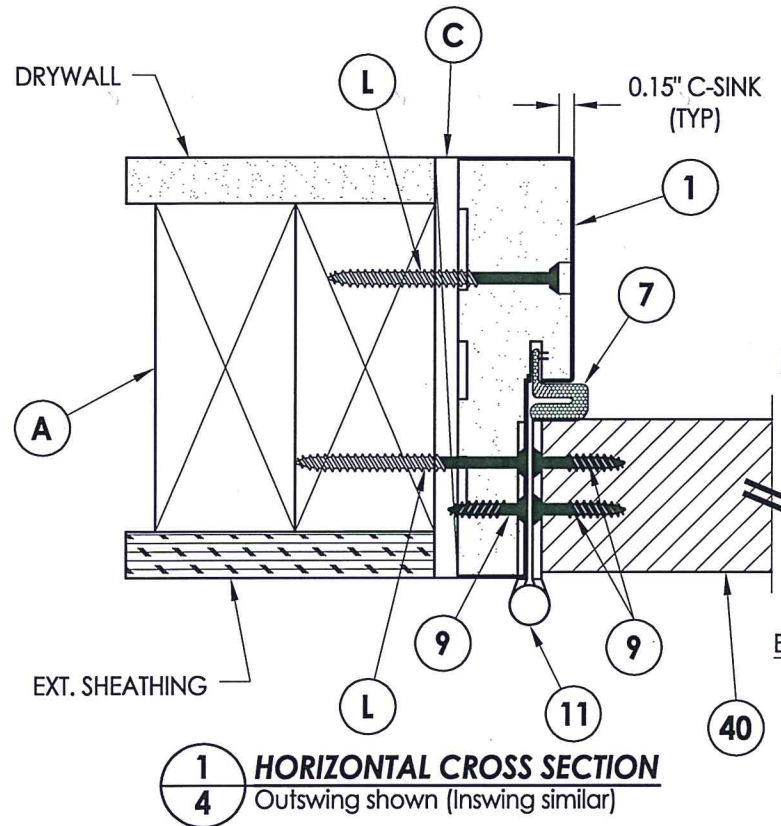


5-26-20

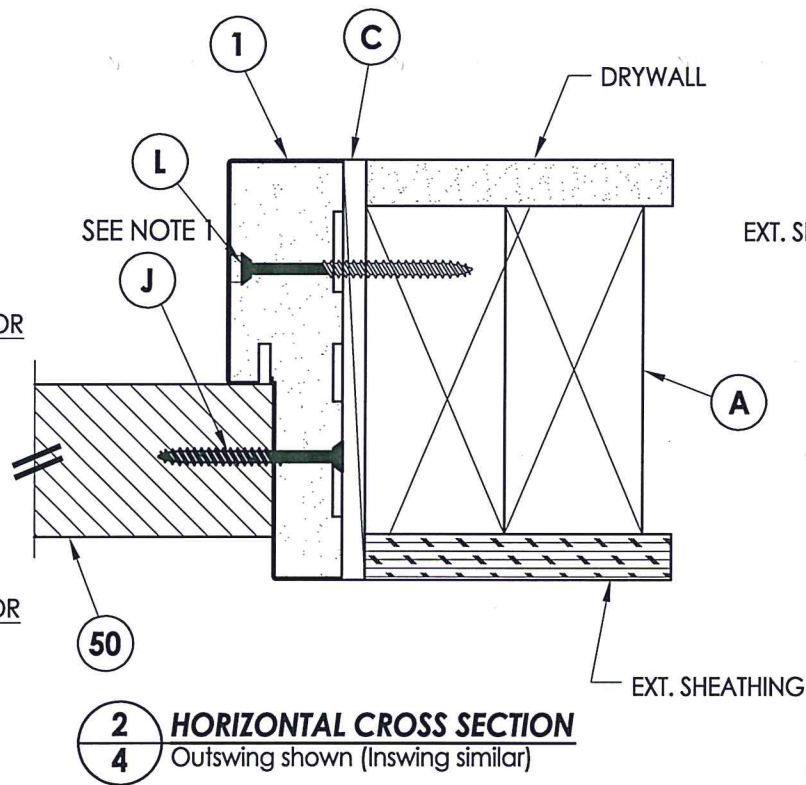
Documents Prepared By: Lyndon F. Schmidt, P.E.
TEXAS P.E. #104123

RW BUILDING CONSULTANTS, INC.
P.O. Box 230 Valrico FL 33595
Phone No.: 813.659.9197
TEXAS BOARD OF PROFESSIONAL ENGINEERS
CERTIFICATE OF REGISTRATION # F-11852

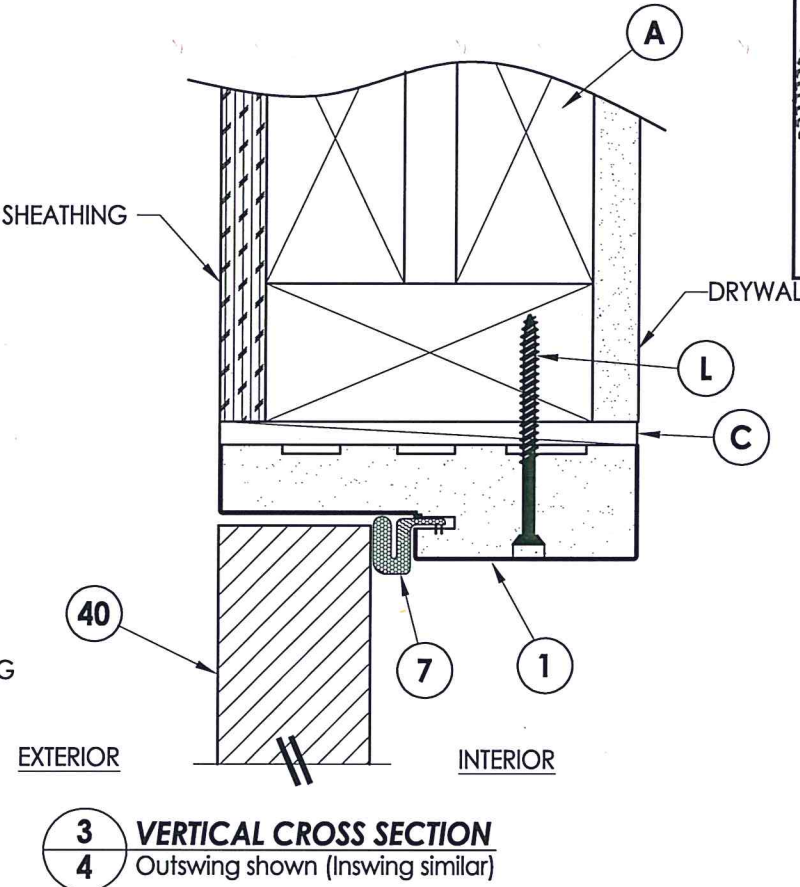
PRODUCT: PLASTPRO INC FIBERGLASS DOOR		PART OR ASSEMBLY: ELEVATIONS	
NO.	DATE	REVISIONS	BY
1	5/26/20	UPDATE TO 2018 IBC/IRC CODE	LFS
DATE: 4/29/19			
SCALE: N.T.S.			
DWG. BY: MT			
CHK. BY: LFS			
DRAWING NO.: TX-4919			
SHEET 3 OF 9			



1
4 **HORIZONTAL CROSS SECTION**
Outswing shown (Inswing similar)

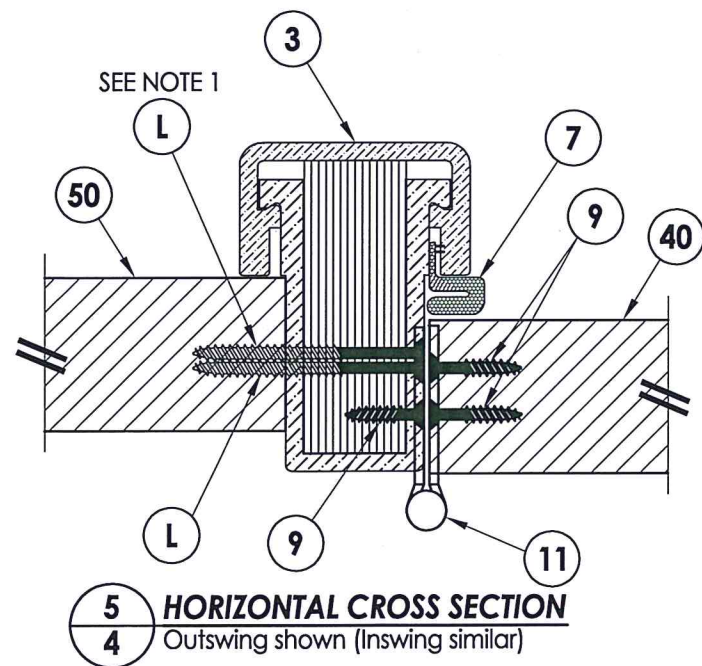


2
4 **HORIZONTAL CROSS SECTION**
Outswing shown (Inswing similar)

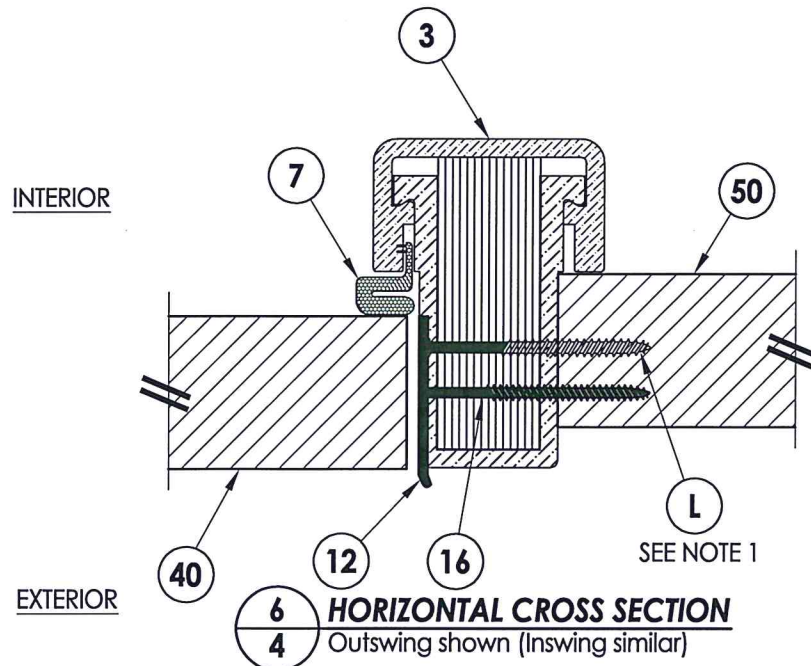


3
4 **VERTICAL CROSS SECTION**
Outswing shown (Inswing similar)

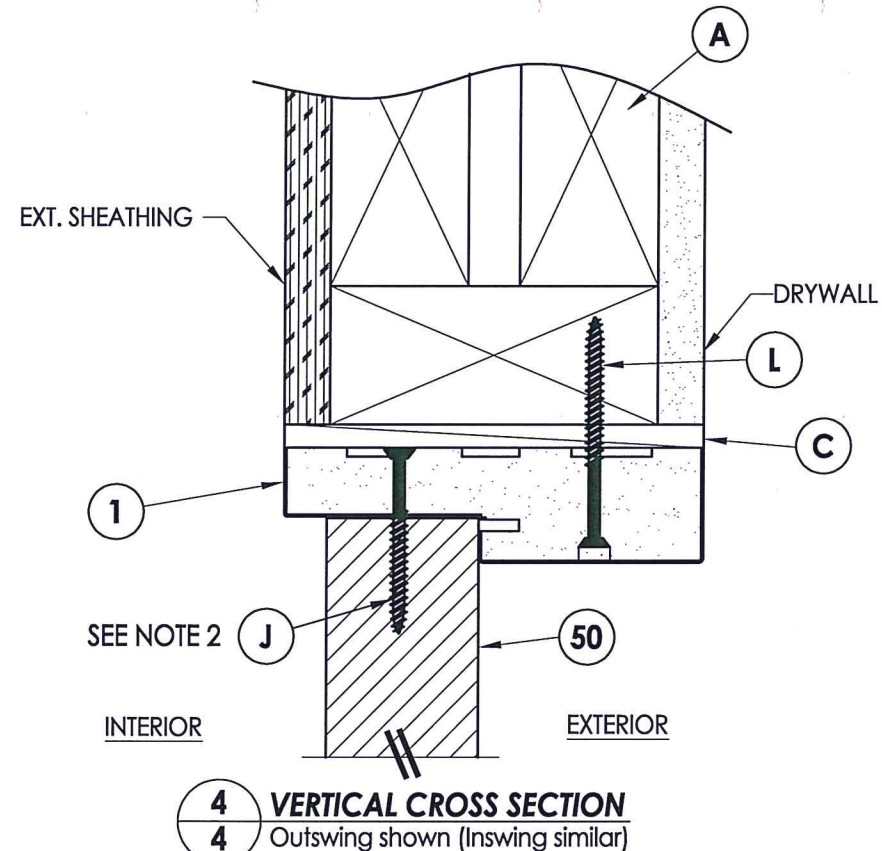
- NOTES:**
1. Spacing for item J & L: 6" from each end and 4 more equally spaced along sidelite jamb (6 total).
 2. Spacing for item J @ head & sill: 6" from ends (2 total).



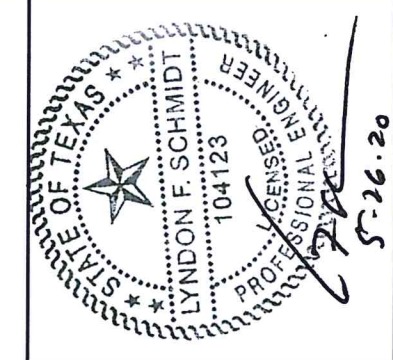
5
4 **HORIZONTAL CROSS SECTION**
Outswing shown (Inswing similar)



6
4 **HORIZONTAL CROSS SECTION**
Outswing shown (Inswing similar)



4
4 **VERTICAL CROSS SECTION**
Outswing shown (Inswing similar)



Documents Prepared By: Lyndon F. Schmidt, P.E.
TEXAS P.E. #104123

RW BUILDING CONSULTANTS, INC.
P.O. Box 230 Valrico FL 33595
Phone No.: 813.659.9197

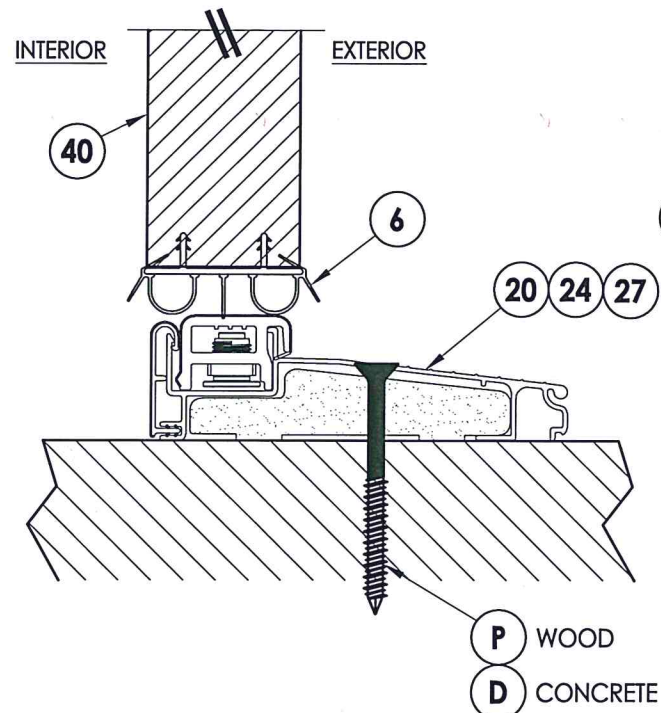
TEXAS BOARD OF PROFESSIONAL ENGINEERS
CERTIFICATE OF REGISTRATION # F-11852

PRODUCT:	PLASTPRO INC FIBERGLASS DOOR
PART OR ASSEMBLY:	HORIZONTAL & VERTICAL CROSS SECTIONS

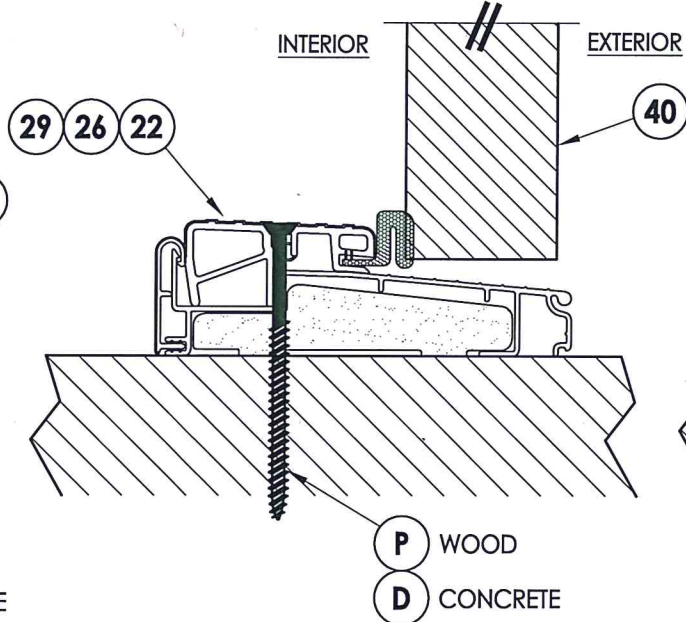
NO.	DATE	DESCRIPTION	BY
1	5/26/20	UPDATE TO 2018 IBC/IRC CODE	LFS

DATE:	4/29/19
SCALE:	N.T.S.
DWG. BY:	MT
CHK. BY:	LFS
DRAWING NO.:	TX-4919
SHEET	4 OF 9

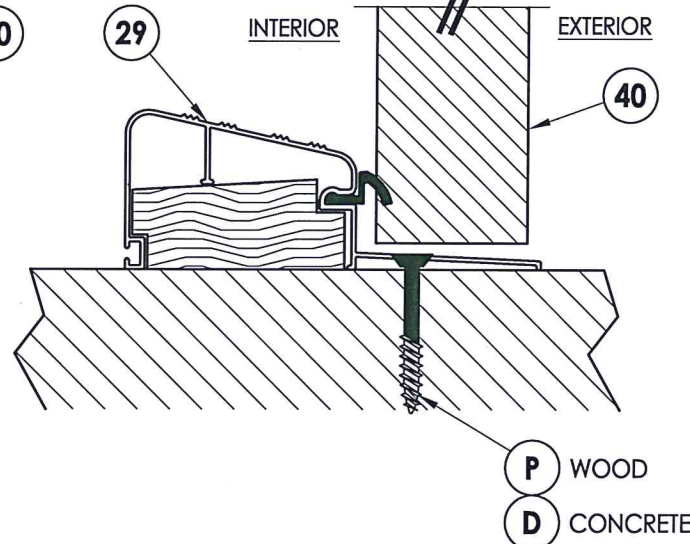
R:\Clients\Plastpro, Inc PERMANENT\B - TD\TDI - DR 1057 Direct Glazed Non-Impact\C - Drawings\TX-4919.dwg, 5



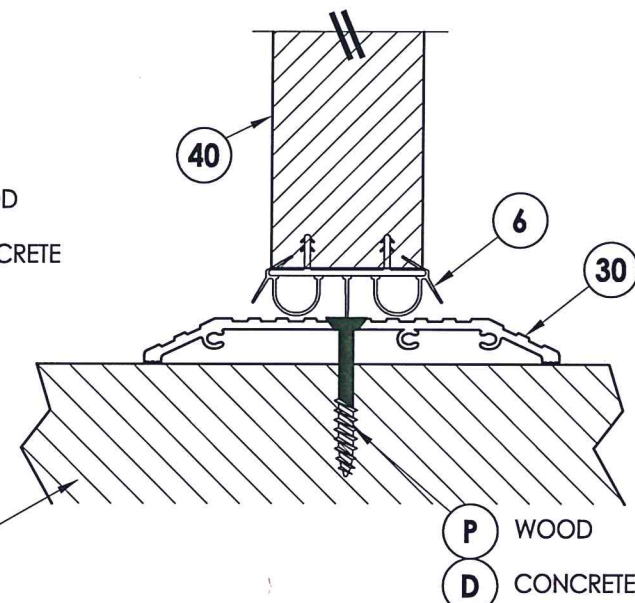
1 VERTICAL CROSS SECTION
5 Inswing Sill



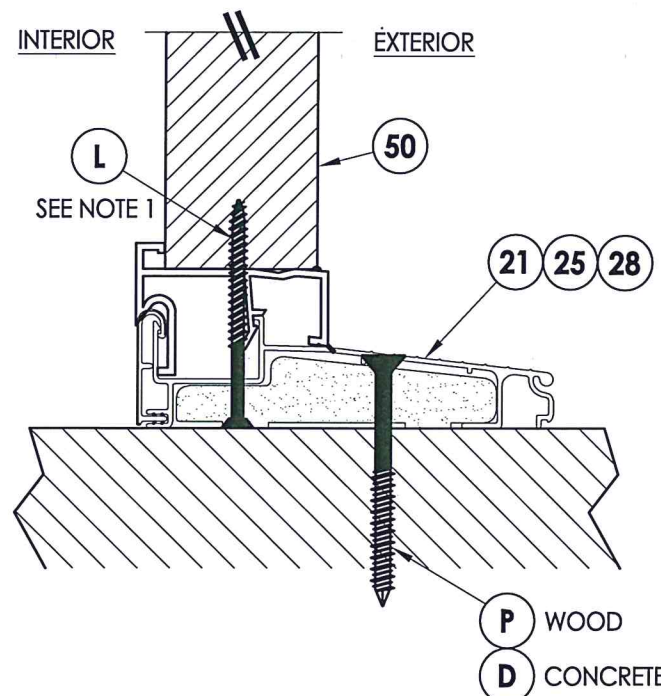
2 VERTICAL CROSS SECTION
5 Outswing Sill



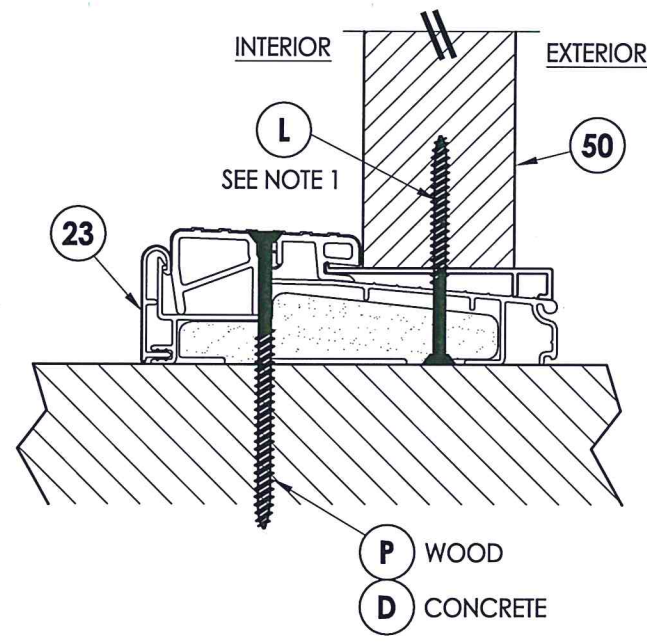
3 VERTICAL CROSS SECTION
5 Outswing Sill



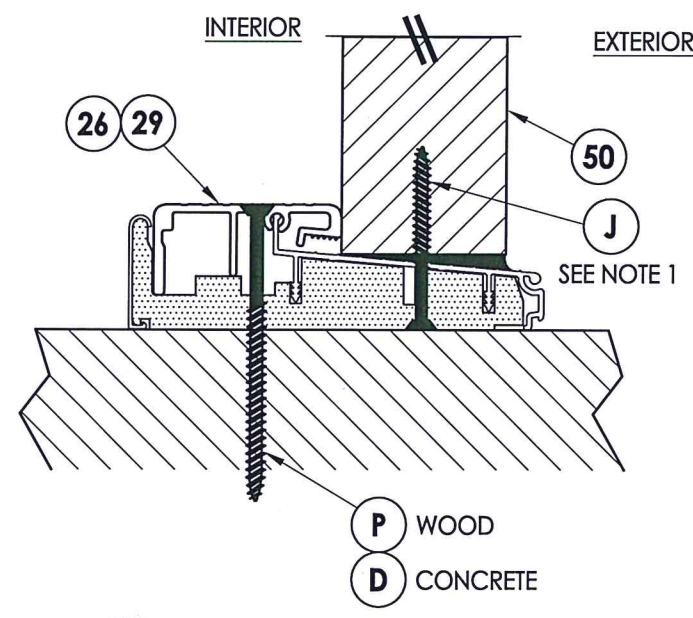
4 VERTICAL CROSS SECTION
5 ADA Sill



5 VERTICAL CROSS SECTION
5 Inswing Sill



6 VERTICAL CROSS SECTION
5 Inswing Sill



7 VERTICAL CROSS SECTION
5 Outswing Sill

NOTE:
1. Spacing for item J & L @ head & sill: 6" from each end (2 total).



Documents Prepared By: Lyndon F. Schmidt, P.E.
TEXAS P.E. #104123

RW BUILDING CONSULTANTS, INC.
P.O. Box 230 Valrico FL 33595
Phone No.: 813.659.9197
TEXAS BOARD OF PROFESSIONAL ENGINEERS
CERTIFICATE OF REGISTRATION # F-11852

PRODUCT: PLASTPRO INC FIBERGLASS DOOR
PART OR ASSEMBLY: VERTICAL CROSS SECTIONS

NO.	DATE	DESCRIPTION	LFS	BY
1	5/26/20	UPDATE TO 2018 IBC/IRC CODE		

DATE: 4/29/19
SCALE: N.T.S.
DWG. BY: MT
CHK. BY: LFS
DRAWING NO.: TX-4919
SHEET 5 of 9

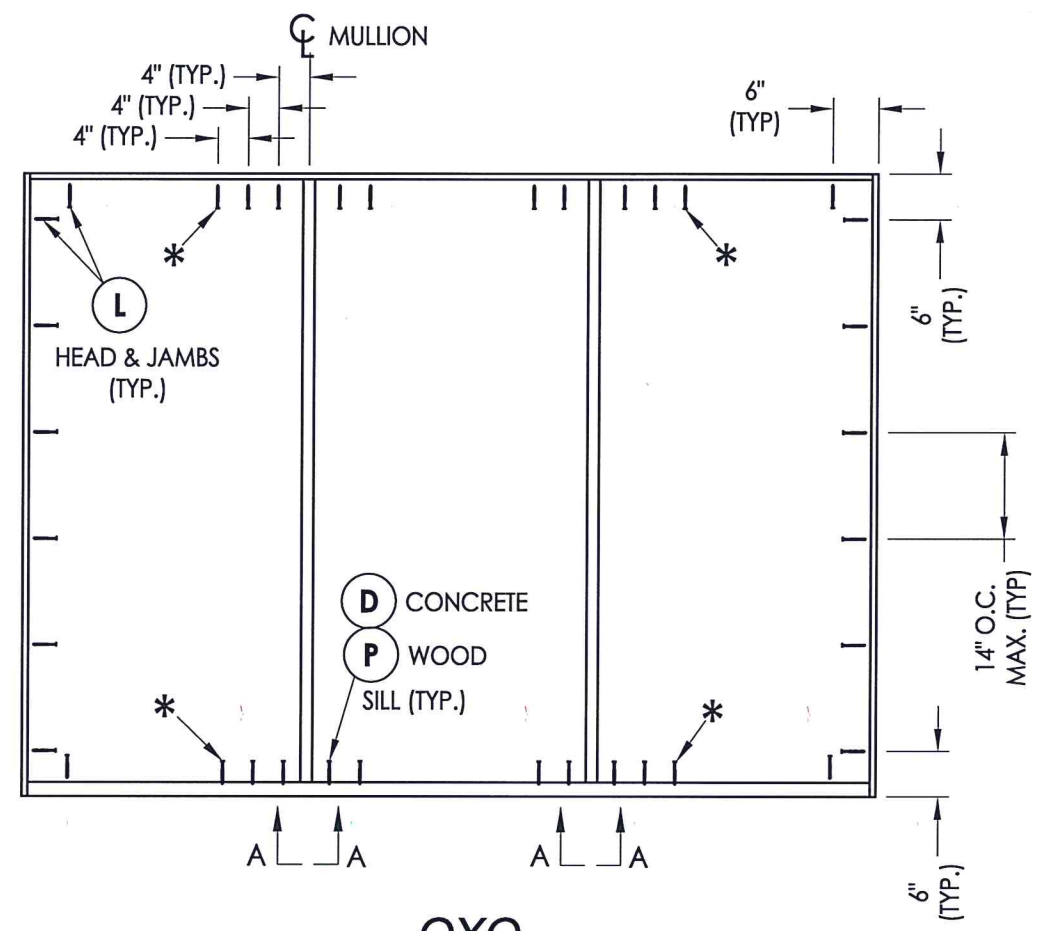
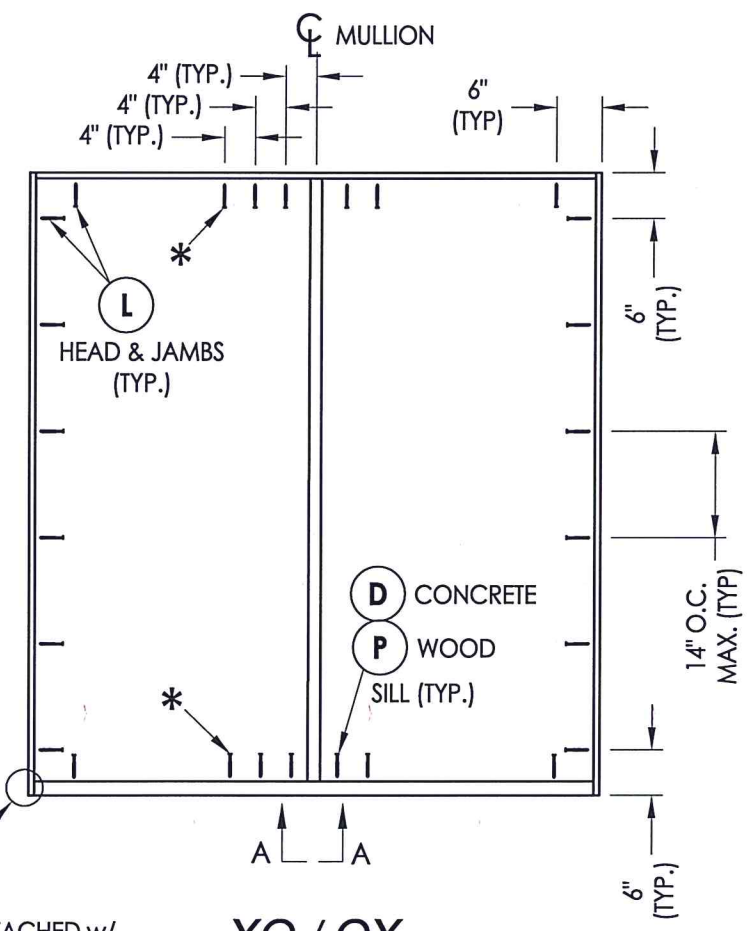
© 2019 R.W. BUILDING CONSULTANTS INC.



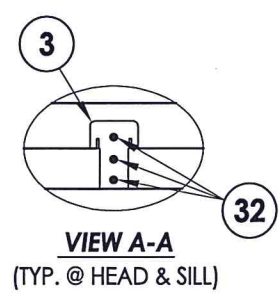
Documents Prepared By: Lyndon F. Schmidt, P.E.
 TEXAS P.E. #104123

RW BUILDING CONSULTANTS, INC.
 P.O. Box 230 Valrico FL, 33595
 Phone No.: 813.659.9197

TEXAS BOARD OF PROFESSIONAL ENGINEERS
 CERTIFICATE OF REGISTRATION # F-11852



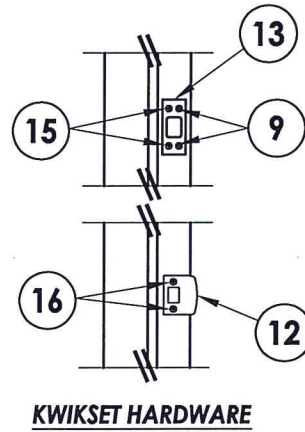
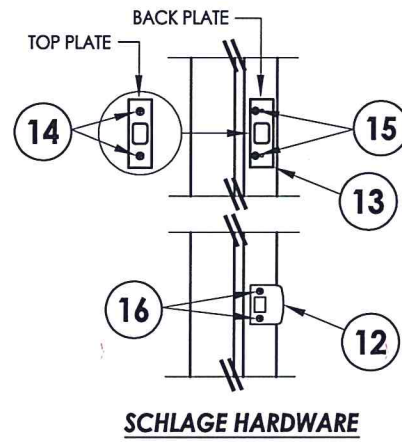
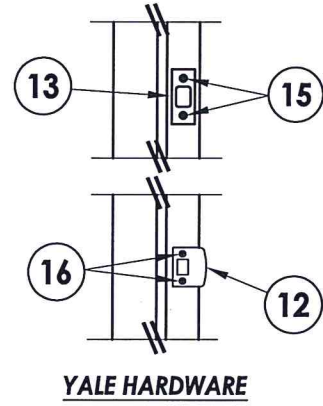
NOTE: FRAME CORNERS ATTACHED w/
 (3) #10 X 2-1/2" FH WOOD SCREWS (TYP.)



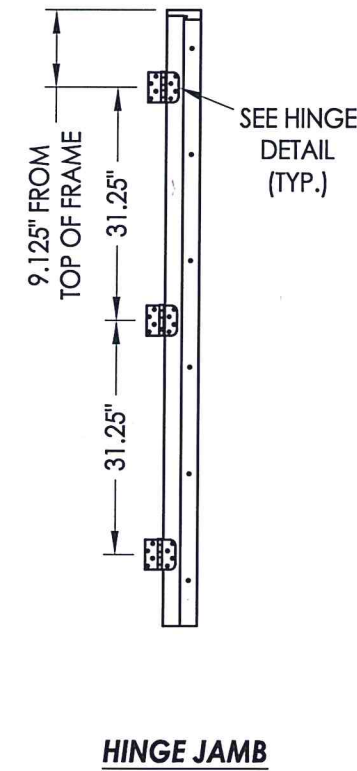
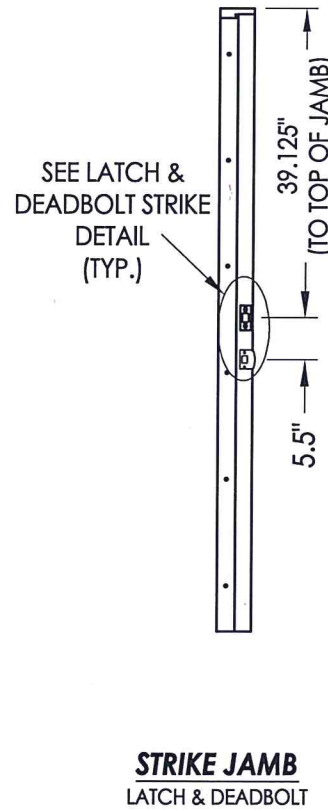
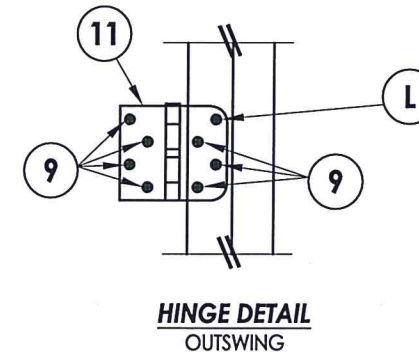
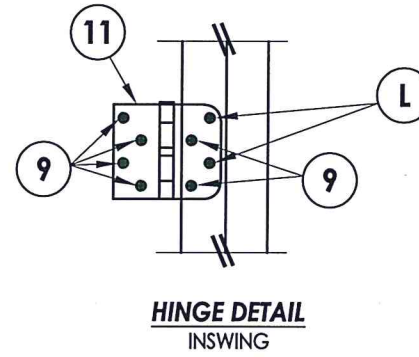
FRAME ANCHORING

*NOTE: THESE ANCHORS ARE REQUIRED FOR DESIGN PRESSURE > 45 PSF ONLY

PRODUCT: PLASTPRO INC FIBERGLASS DOOR	
PART OR ASSEMBLY: FRAME ANCHORING	
NO.	DATE
1	5/26/20
UPDATE TO 2018 IBC/IRC CODE	
LFS	BY
REVISIONS	
DATE: 4/29/19	
SCALE: N.T.S.	
DWG. BY: MT	
CHK. BY: LFS	
DRAWING NO.: TX-4919	
SHEET 6 OF 9	



LATCH & DEADBOLT HARDWARE STRIKE DETAILS



HARDWARE DETAILS



Documents Prepared By: Lyndon F. Schmidt, P.E.
TEXAS P.E. #104123

RW BUILDING CONSULTANTS, INC.
P.O. Box 230 Vairico FL. 33595
Phone No.: 813.659.9197

TEXAS BOARD OF PROFESSIONAL ENGINEERS
CERTIFICATE OF REGISTRATION # F-11852

PRODUCT: PLASTPRO INC FIBERGLASS DOOR

PART OR ASSEMBLY: HARDWARE DETAILS

REVISIONS	
NO.	DATE
1	5/26/20
	DATE
	BY
	LFS

DATE: 4/29/19

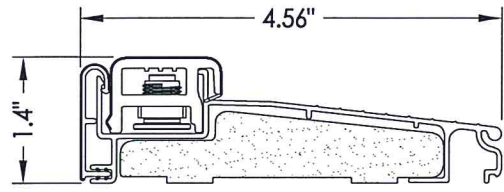
SCALE: N.T.S.

DWG. BY: MT

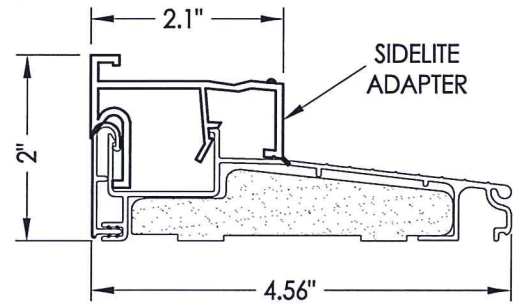
CHK. BY: LFS

DRAWING NO.: TX-4919

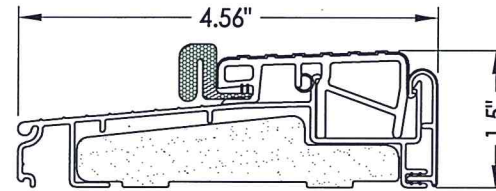
SHEET 7 OF 9



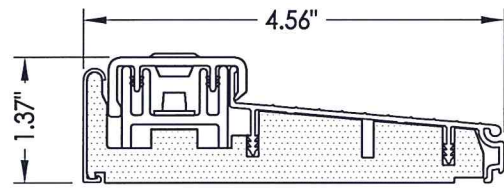
20 INSWING THRESHOLD
Endura (Z-Series)



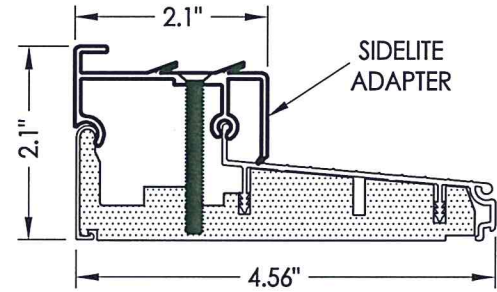
21 INSWING THRESHOLD w/ SIDELITE ADAPTER
Endura (Z-Series)



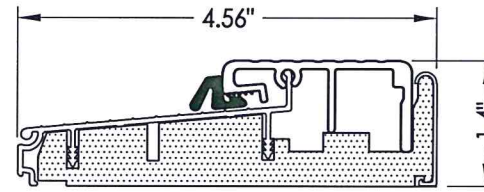
22 OUTSWING THRESHOLD
Endura (Z-Series)



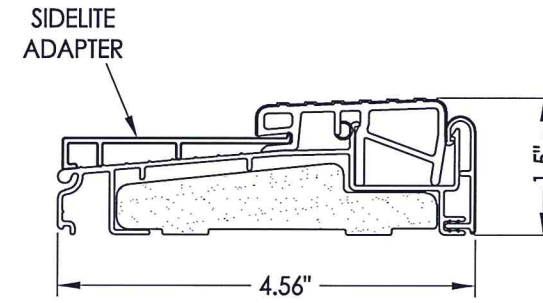
24 INSWING THRESHOLD
Columbia



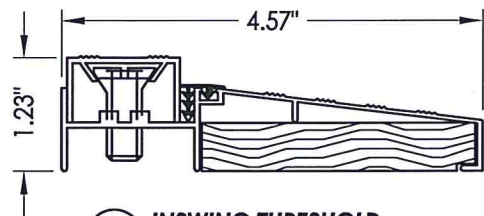
25 INSWING THRESHOLD w/ SIDELITE ADAPTER
Columbia



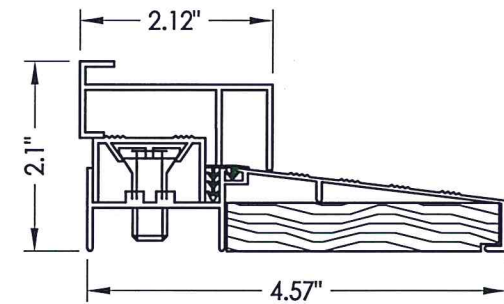
26 OUTSWING THRESHOLD
Columbia



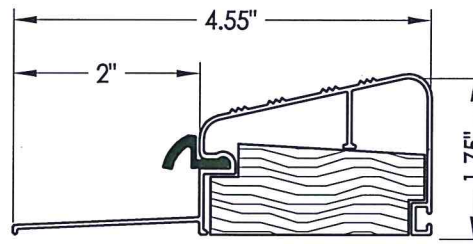
23 OUTSWING THRESHOLD w/ SIDELITE ADAPTER
Endura (Z-Series)



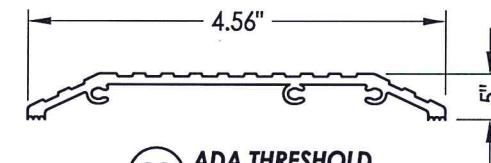
27 INSWING THRESHOLD
DLP



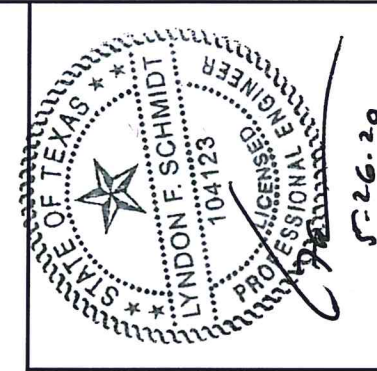
28 INSWING THRESHOLD w/ SIDELITE ADAPTER
DLP



29 OUTSWING THRESHOLD
DLP (QOSR)



30 ADA THRESHOLD
DLP



Documents Prepared By: Lyndon F. Schmidt, P.E.
TEXAS P.E. #104123

RW BUILDING CONSULTANTS, INC.
P.O. Box 230 Valrico FL 33595
Phone No.: 813.659.9197

TEXAS BOARD OF PROFESSIONAL ENGINEERS
CERTIFICATE OF REGISTRATION # F-11852

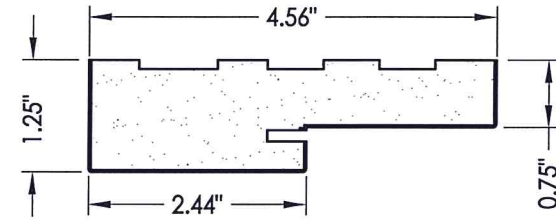
PRODUCT: PLASTPRO INC
FIBERGLASS DOOR

PART OR ASSEMBLY:
COMPONENTS

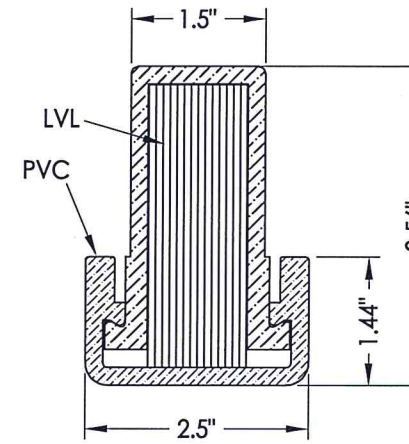
NO.	DATE	DESCRIPTION	BY
1	5/26/20	UPDATE TO 2018 IBC/IRC CODE	LFS

DATE: 4/29/19
SCALE: N.T.S.
DWG. BY: MT
CHK. BY: LFS
DRAWING NO.: TX-4919
SHEET 8 OF 9

BILL OF MATERIALS		
ITEM #	DESCRIPTION	MATERIAL
A	2X FRAMING (G >= 0.42)	WOOD
C	1/4" MAX. SHIM SPACE	-
D	1/4" Ø PFH ELCO OR ITW CONCRETE SCREW (1-3/4" MIN. EMBEDMENT)	STEEL
G	3/16" Ø PFH ITW CONCRETE SCREW (1-3/4" MIN. EMB.)	STEEL
J	#10 X 2" PFH WOOD SCREW	STEEL
L	#10 X 2-1/2" PFH WOOD SCREW (1.15" MIN. EMB.)	STEEL
P	#10 PFH WOOD SCREW (1-1/2" MIN. EMB.)	STEEL
1	POLY FIBER JAMB	COMP
3	MULLION (PLASTPRO)	PVC/LVL
6	DOOR SWEEP	PVC
7	WEATHERSTRIP	FOAM
9	#9 X 3/4" PFH WOOD SCREW	STEEL
11	4" X 4" HINGE	STEEL
12	LATCH STRIKE PLATE	STEEL
13	DEADBOLT STRIKE PLATE	STEEL
14	10-32 X 3/8" PFH MACHINE SCREW	STEEL
15	#12 X 2-1/2" PFH WOOD SCREW	STEEL
16	#8 X 2-1/2" PFH WOOD SCREW	STEEL
20	INSWING THRESHOLD	ALUM/COMP
21	INSWING THRESHOLD w/ SIDELITE ADAPTER	ALUM/COMP
22	OUTSWING THRESHOLD	ALUM/COMP
23	OUTSWING THRESHOLD w/ SIDELITE ADAPTER	ALUM/COMP
24	INSWING THRESHOLD	ALUM/COMP
25	INSWING THRESHOLD w/ SIDELITE ADAPTER	ALUM/COMP
26	OUTSWING THRESHOLD	ALUM/COMP
27	INSWING THRESHOLD	ALUM/WOOD
28	INSWING THRESHOLD w/ SIDELITE ADAPTER	ALUM/WOOD
29	OUTSWING THRESHOLD	ALUM/WOOD
30	ADA THRESHOLD	ALUM
32	#10 X 3" PFH WOOD SCREW	STEEL
40	DOOR PANEL	-
50	SIDELITE PANEL	-



1 POLY FIBER JAMB
Plastpro PF Jamb



3 INTEGRAL MULLION
Plastpro (3-Piece)

CONCRETE ANCHOR NOTES:

- Concrete anchor locations at the corners may be adjusted to maintain the min. edge distance to mortar joints.
- Concrete anchor locations noted as "MAX. ON CENTER" must be adjusted to maintain the min. edge distance to mortar joints, additional concrete anchors may be required to ensure the "MAX. ON CENTER" dimension are not exceeded.
- Concrete anchor table:

ANCHOR TYPE	ANCHOR SIZE	MIN. EMBEDMENT	MIN. CLEARANCE TO MASONRY EDGE	MIN. CLEARANCE TO ADJACENT ANCHOR
ITW BUILDEX TAPCON®	3/16"	1-3/4"	3"	1-1/2"
	1/4"	1-3/4"	2"	4"
ELCO ULTRACON®	1/4"	1-3/4"	1"	4"

WOOD SCREW INSTALLATION NOTES:

- Maintain a minimum 5/8" edge distance, 1" end distance, & 1" o.c. spacing of wood screws to prevent the splitting of wood.



Documents Prepared By: Lyndon F. Schmidt, P.E.
TEXAS P.E. #104123

RW BUILDING CONSULTANTS, INC.
P.O. Box 230 Valrico FL, 33595
Phone No.: 813.659.9197
TEXAS BOARD OF PROFESSIONAL ENGINEERS
CERTIFICATE OF REGISTRATION # F-11852

PRODUCT:	PLASTPRO INC FIBERGLASS DOOR	
PART OR ASSEMBLY:	BILL OF MATERIALS & COMPONENTS	
NO.	DATE	DESCRIPTION
1	5/26/20	UPDATE TO 2018 IBC/IRC CODE
		LFS BY
DATE: 4/29/19		
SCALE: N.T.S.		
DWG. BY: MT		
CHK. BY: LFS		
DRAWING NO.: TX-4919		
SHEET 9 OF 9		