

REVISIONS			
REV	DESCRIPTION	DATE	APPROVED
A	REVISED PER NEW CODE	12/23/2021	R.L.

NOTES:

1. THE PRODUCT SHOWN HEREIN IS DESIGNED AND MANUFACTURED TO COMPLY WITH REQUIREMENTS OF THE 2018 IBC AND 2018 IRC.
2. WOOD FRAMING AND MASONRY OPENING TO BE DESIGNED AND ANCHORED TO PROPERLY TRANSFER ALL LOADS TO STRUCTURE. FRAMING AND MASONRY OPENING IS THE RESPONSIBILITY OF THE ARCHITECT OR ENGINEER OF RECORD.
3. 1X BUCK OVER MASONRY/CONCRETE IS OPTIONAL.
4. WHERE SHIM OR BUCK THICKNESS IS LESS THAN 1-1/2" UNITS MUST BE ANCHORED THROUGH THE FRAME IN ACCORDANCE WITH MANUFACTURER'S PUBLISHED INSTALLATION INSTRUCTIONS. ANCHORS SHALL BE SECURELY FASTENED DIRECTLY INTO MASONRY, CONCRETE OR OTHER STRUCTURAL SUBSTRATE MATERIAL.
5. WHERE WOOD BUCK THICKNESS IS 1-1/2" OR GREATER, BUCK SHALL BE SECURELY FASTENED TO MASONRY, CONCRETE OR OTHER STRUCTURAL SUBSTRATE. UNITS MAY BE ANCHORED THROUGH FRAME TO SECURED WOOD BUCK IN ACCORDANCE WITH MANUFACTURER'S PUBLISHED INSTALLATION INSTRUCTIONS.
6. WHERE 1X BUCK IS NOT USED DISSIMILAR MATERIALS MUST BE SEPARATED WITH APPROVED COATING OR MEMBRANE. SELECTION OF COATING OR MEMBRANE IS THE RESPONSIBILITY OF THE ARCHITECT OR ENGINEER OF RECORD.
7. BUCKS SHALL EXTEND BEYOND UNIT FRAME INTERIOR FACE SO THAT FULL FRAME SUPPORT IS PROVIDED.
8. SHIM AS REQUIRED AT EACH ANCHOR LOCATION WITH LOAD BEARING SHIM. SHIM WHERE SPACE OF 1/16" OR GREATER OCCURS. MAXIMUM ALLOWABLE SHIM STACK TO BE 1/4".
9. SHIMS SHALL BE LOCATED, APPLIED AND MADE FROM MATERIALS AND THICKNESS CAPABLE OF SUSTAINING APPLICABLE LOADS.
10. WIND LOAD DURATION FACTOR Cd=1.6 WAS USED FOR WOOD ANCHOR CALCULATIONS.
11. FRAME MATERIAL: FOAM PVC CO-EX.
12. UNITS MUST BE GLAZED PER ASTM E1300, WITH SAFETY GLAZING.
13. APPROVED IMPACT PROTECTIVE SYSTEM IS REQUIRED FOR THIS PRODUCT IN WIND BORNE DEBRIS REGIONS.
14. FOR ANCHORING THROUGH FRAME INTO WOOD FRAMING OR 2X BUCK USE #10 WOOD SCREWS WITH SUFFICIENT LENGTH TO ACHIEVE A 1 1/4" MINIMUM EMBEDMENT INTO SUBSTRATE. LOCATE ANCHORS AS SHOWN IN ELEVATIONS AND INSTALLATION DETAILS.

15. FOR ANCHORING THROUGH FRAME INTO MASONRY/CONCRETE USE 3/16" TAPCONS WITH SUFFICIENT LENGTH TO ACHIEVE A 1 1/4" MINIMUM EMBEDMENT INTO SUBSTRATE WITH 2" MINIMUM EDGE DISTANCE. LOCATE ANCHORS AS SHOWN IN ELEVATIONS AND INSTALLATION DETAILS.
16. FOR ANCHORING THROUGH FRAME INTO METAL STRUCTURE USE #10 SMS OR SELF DRILLING SCREWS WITH SUFFICIENT LENGTH TO ACHIEVE 3 THREADS MINIMUM BEYOND STRUCTURE INTERIOR WALL. LOCATE ANCHORS AS SHOWN IN ELEVATIONS AND INSTALLATION DETAILS.
17. ALL FASTENERS TO BE CORROSION RESISTANT.
18. INSTALLATION ANCHORS SHALL BE INSTALLED IN ACCORDANCE WITH ANCHOR MANUFACTURER'S INSTALLATION INSTRUCTIONS AND ANCHORS SHALL NOT BE USED IN SUBSTRATES WITH STRENGTHS LESS THAN THE MINIMUM STRENGTH SPECIFIED BELOW:
 - A. WOOD: MINIMUM SPECIFIC GRAVITY OF G=0.42
 - B. CONCRETE: MINIMUM COMPRESSIVE STRENGTH OF 2,000 PSI.
 - C. MASONRY: HOLLOW/FILLED BLOCK PER ASTM C90 WITH Fm=2,000PSI MINIMUM.
 - D. METAL STRUCTURE: STEEL 18GA (.048") FY=33KSI/FU=52KSI OR ALUMINUM 6063-T5 FU=30KSI 1/8" THICK MINIMUM

SIGNED: 02/14/2022

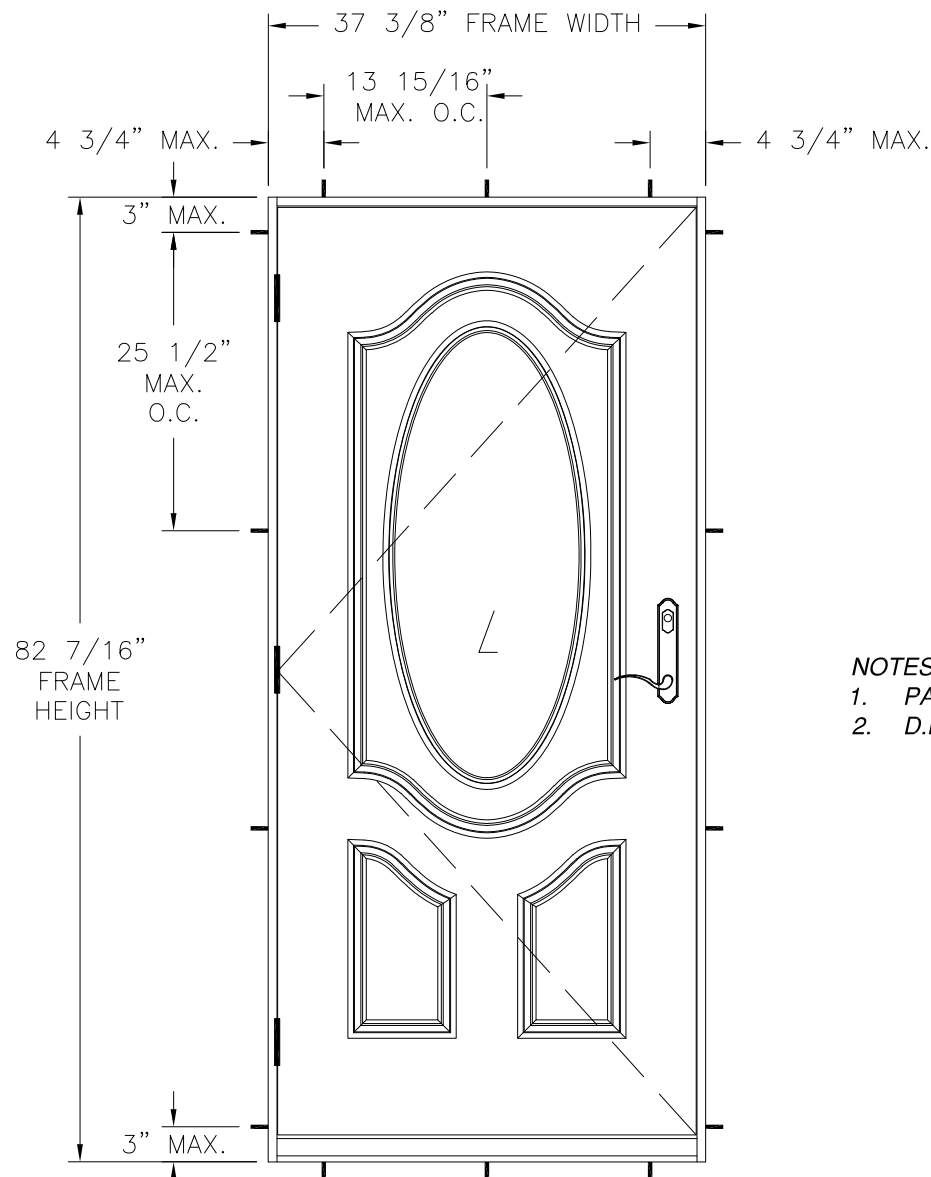
TABLE OF CONTENTS	
SHEET NO.	DESCRIPTION
1	NOTES
2	ELEVATION
3 - 6	INSTALLATION DETAILS
7	COMPONENTS

NAN YA PLASTICS CORP. USA 8989 NORTH LOOP EAST HOUSTON, TX 77029		
SERIES "ENTRY DOOR INSWING" FIBERGLASS GLAZED SIDE HINGED DOOR, NON-IMPACT NOTES		
DRAWN: A.R.	DWG NO. 08-03316	REV A
SCALE NTS	DATE 09/27/2018	SHEET 1 OF 7
L. ROBERTO LOMAS P.E. 1432 WOODFORD RD LEWISVILLE, NC 27023 434-688-0609 rllomas@lrlomaspe.com		



Luis R. Lomas P.E.
 TX No.: 101889
 Firm No: F-23130

REVISIONS			
REV	DESCRIPTION	DATE	APPROVED
A	REVISED PER NEW CODE	12/23/2021	R.L.



- NOTES:**
- PANEL SIZE: 35 3/4" X 79 1/4"
 - D.L.O.: 15 3/4" X 38"

SERIES "PATIO DOOR INSWING" SIDE HINGED DOOR
EXTERIOR VIEW

DESIGN PRESSURE RATING	IMPACT RATING
±40.0PSF	NONE

HARDWARE SCHEDULE

A.	HANDLE SETS (DIE CAST) AT ACTIVE PANEL STILE
B.	STEEL DEADBOLT WITH KEEPER AT ACTIVE PANEL STILE, AT 46 7/16" FROM BOTTOM SILL
C.	STEEL LATCH WITH KEEPER AT ACTIVE PANEL STILE, AT 41 3/16" FROM BOTTOM SILL
D.	(3) 4 X 4 DOOR HINGE AT ACTIVE PANEL HINGE STILE AT 5 3/4" FROM TOP OF ACTIVE PANEL TOP RAIL AND 25 1/2" ON CENTER THEREAFTER

NAN YA PLASTICS CORP. USA
8989 NORTH LOOP EAST
HOUSTON, TX 77029

SERIES "ENTRY DOOR INSWING" FIBERGLASS
GLAZED SIDE HINGED DOOR, NON-IMPACT
ELEVATION

DRAWN: A.R.	DWG NO. 08-03316	REV A
SCALE NTS	DATE 09/27/2018	SHEET 2 OF 7

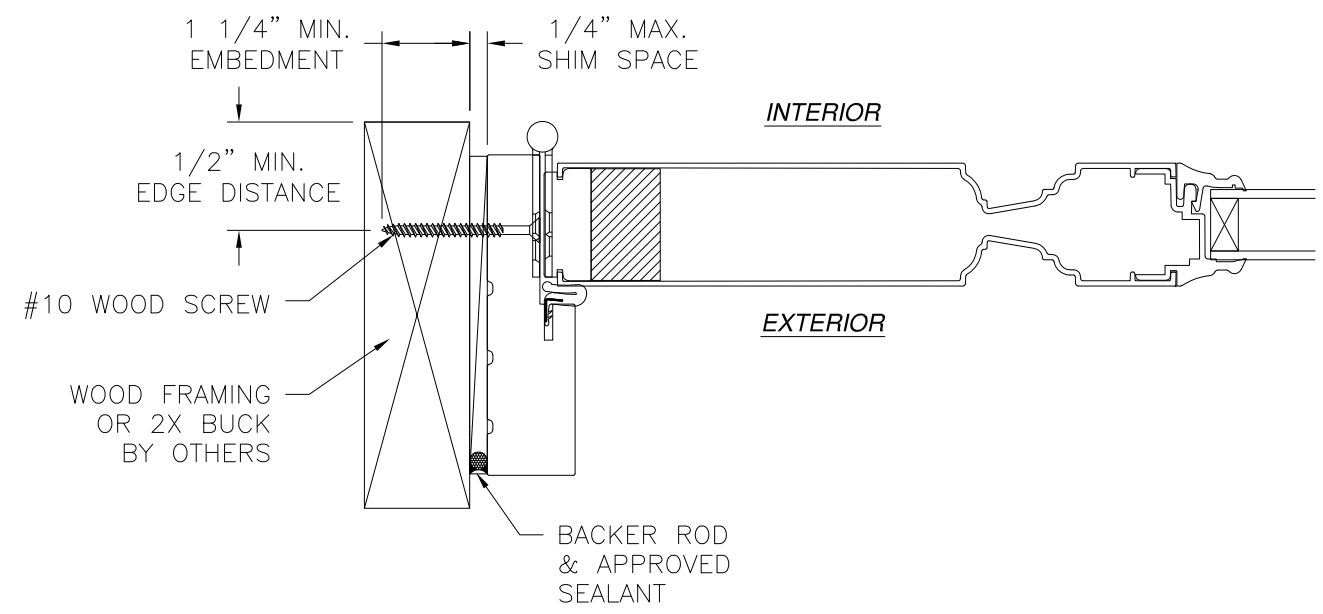
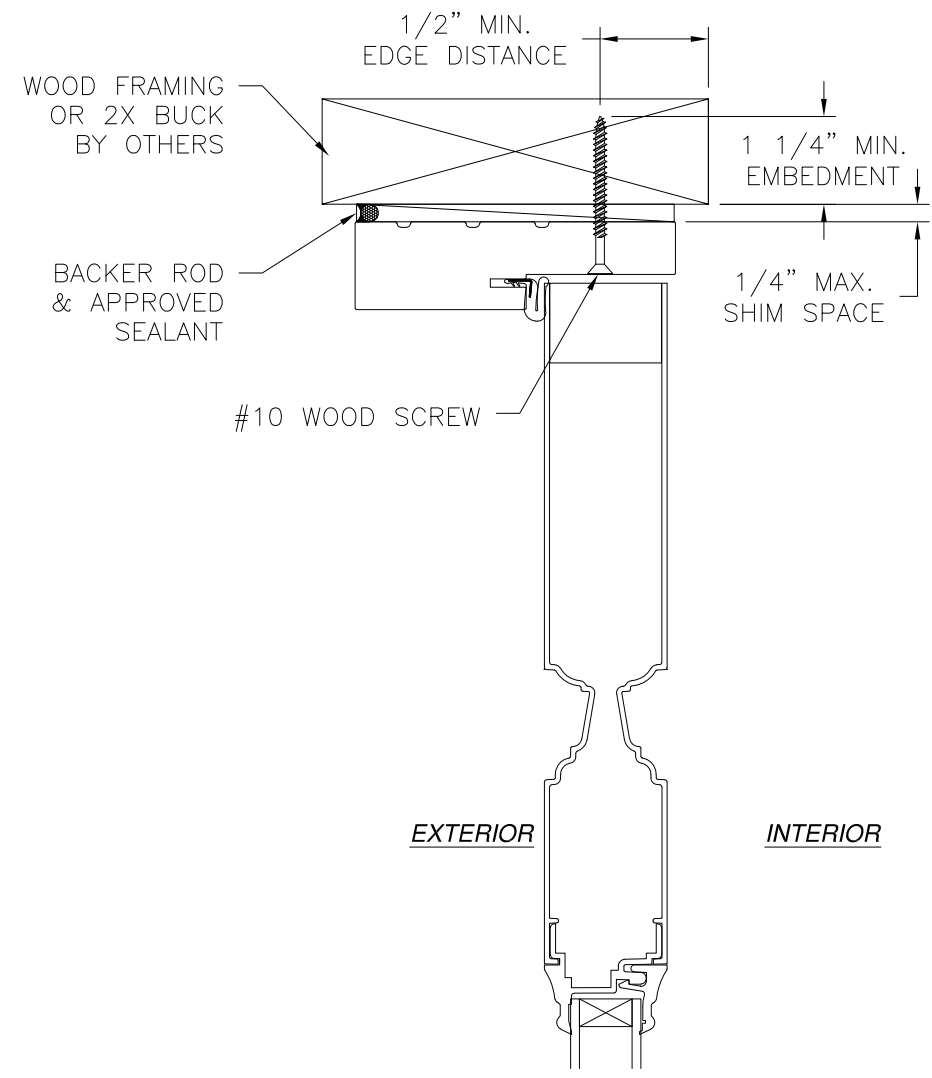
L. ROBERTO LOMAS P.E.
1432 WOODFORD RD LEWISVILLE, NC 27023
434-688-0609 rllomas@lrlomaspe.com

SIGNED: 02/14/2022



Luis R. Lomas P.E.
TX No.: 101889
Firm No: F-23130

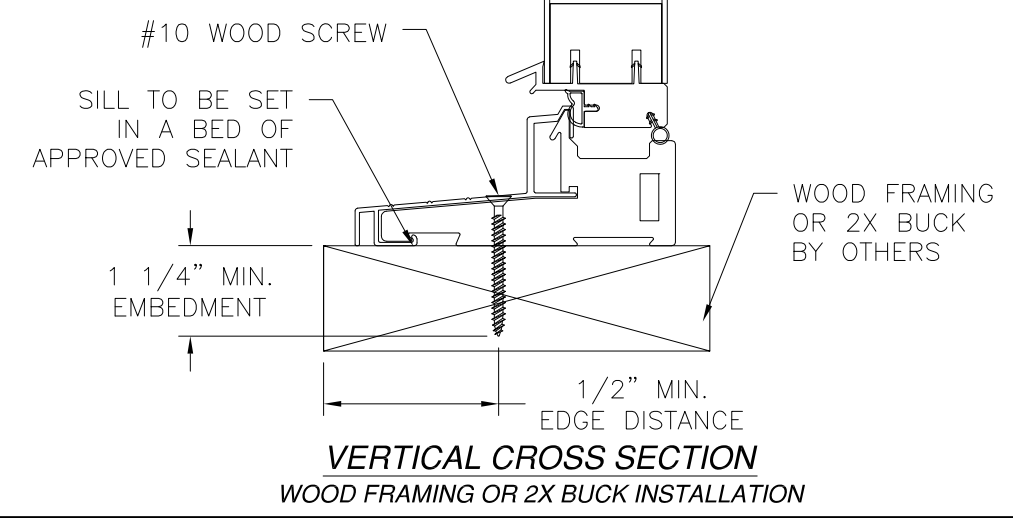
REVISIONS			
REV	DESCRIPTION	DATE	APPROVED
A	REVISED PER NEW CODE	12/23/2021	R.L.



JAMB INSTALLATION DETAIL
WOOD FRAMING OR 2X BUCK INSTALLATION

- NOTES:**
1. INTERIOR AND EXTERIOR FINISHES, BY OTHERS, NOT SHOWN FOR CLARITY.
 2. PERIMETER AND JOINT SEALANT BY OTHERS TO BE DESIGNED IN ACCORDANCE WITH ASTM E2112

SIGNED: 02/14/2022



VERTICAL CROSS SECTION
WOOD FRAMING OR 2X BUCK INSTALLATION

NAN YA PLASTICS CORP. USA
8989 NORTH LOOP EAST
HOUSTON, TX 77029

SERIES "ENTRY DOOR INSWING" FIBERGLASS
GLAZED SIDE HINGED DOOR, NON-IMPACT
INSTALLATION DETAILS

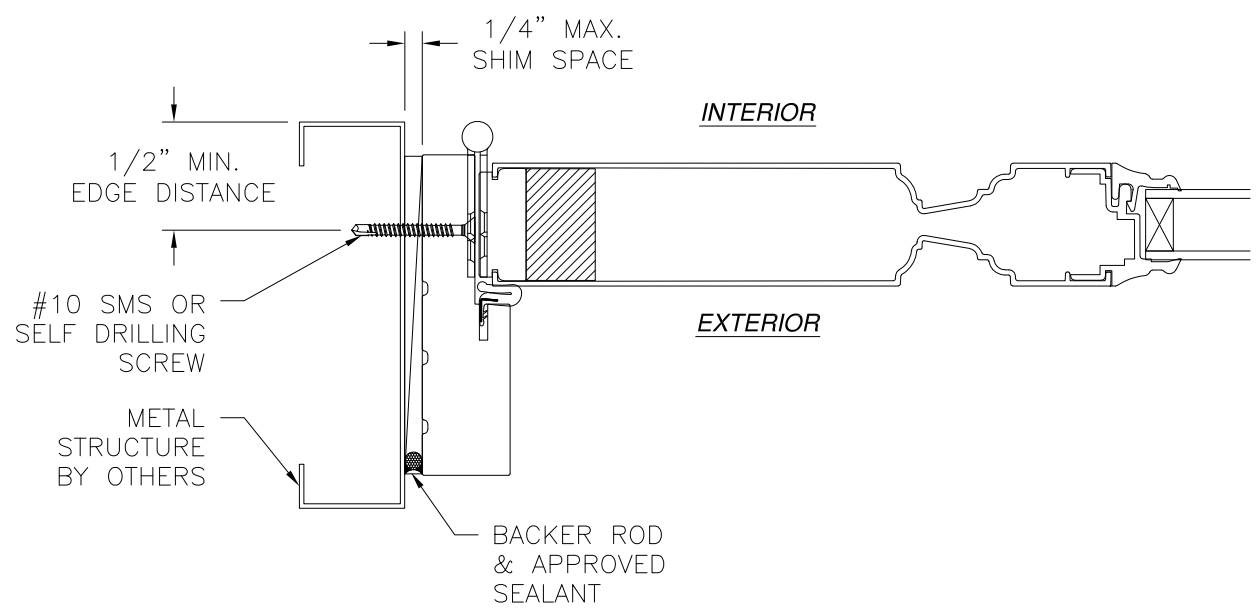
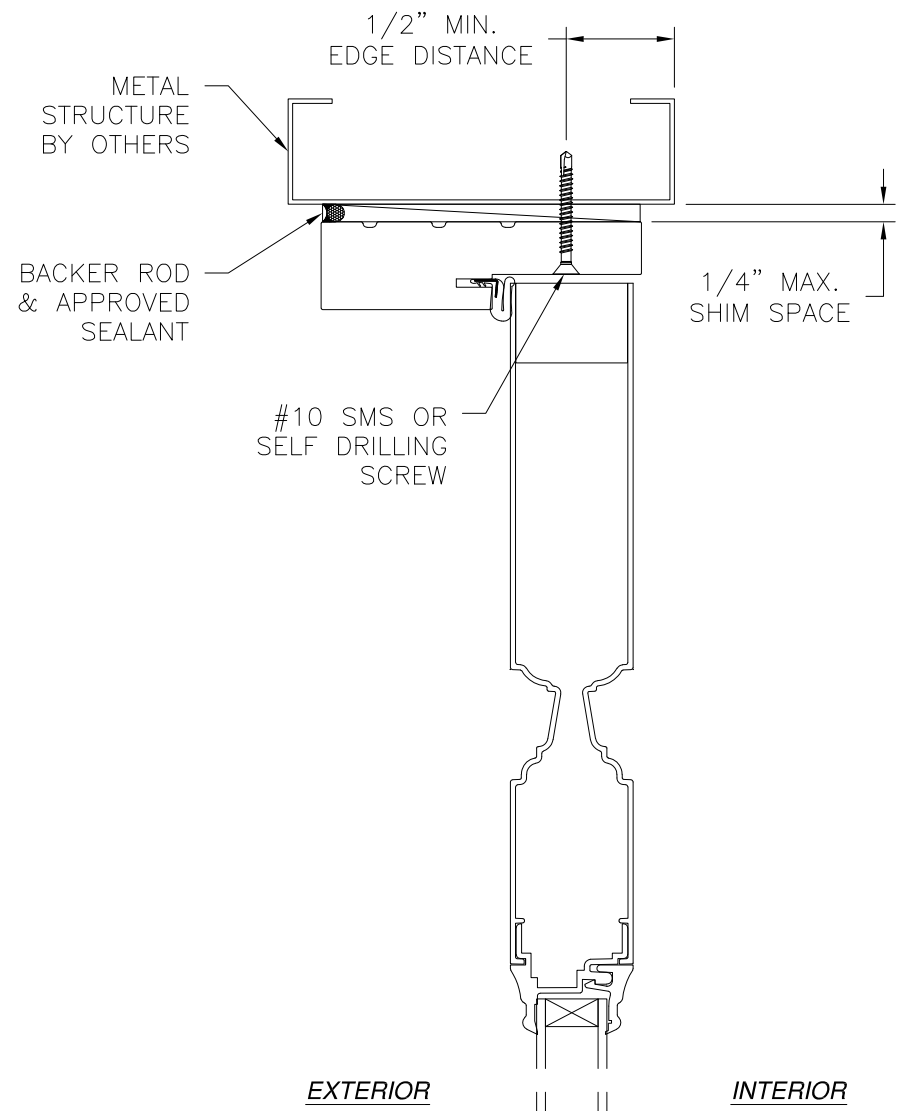
DRAWN: A.R.	DWG NO. 08-03316	REV A
SCALE NTS	DATE 09/27/2018	SHEET 3 OF 7

L. ROBERTO LOMAS P.E.
1432 WOODFORD RD LEWISVILLE, NC 27023
434-688-0609 rllomas@rlomaspe.com

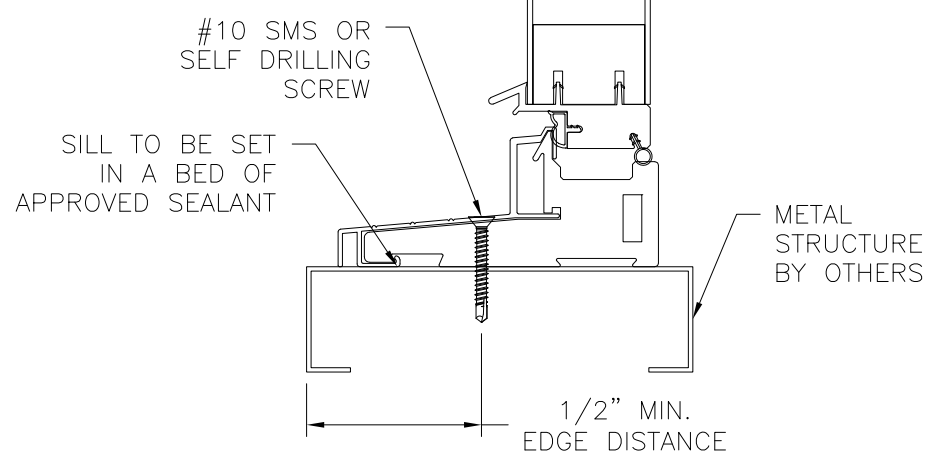


Luis R. Lomas P.E.
TX No.: 101889
Firm No: F-23130

REVISIONS			
REV	DESCRIPTION	DATE	APPROVED
A	REVISED PER NEW CODE	12/23/2021	R.L.



JAMB INSTALLATION DETAIL
METAL STRUCTURE INSTALLATION



VERTICAL CROSS SECTION
METAL STRUCTURE INSTALLATION

- NOTES:**
1. INTERIOR AND EXTERIOR FINISHES, BY OTHERS, NOT SHOWN FOR CLARITY.
 2. PERIMETER AND JOINT SEALANT BY OTHERS TO BE DESIGNED IN ACCORDANCE WITH ASTM E2112

SIGNED: 02/14/2022

NAN YA PLASTICS CORP. USA
8989 NORTH LOOP EAST
HOUSTON, TX 77029

SERIES "ENTRY DOOR INSWING" FIBERGLASS
GLAZED SIDE HINGED DOOR, NON-IMPACT
INSTALLATION DETAILS

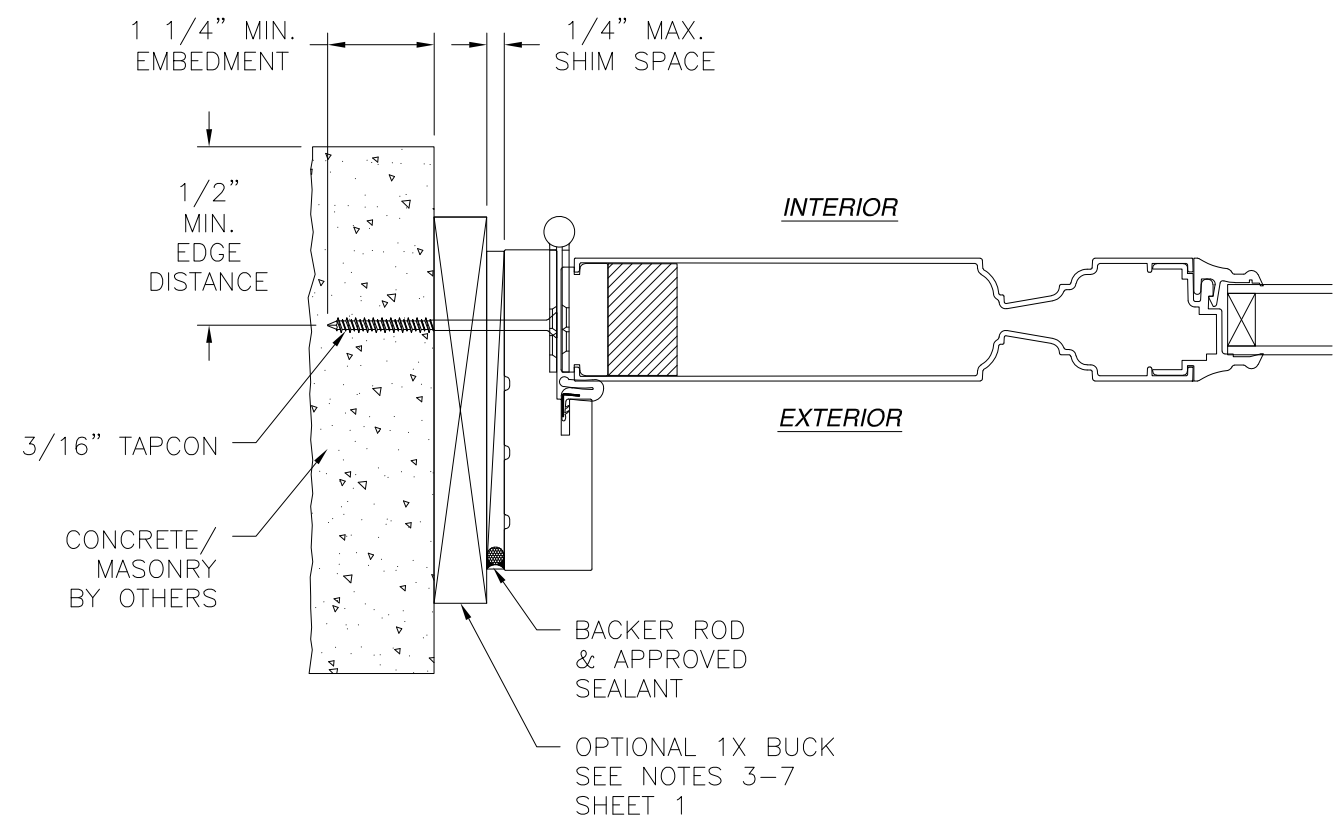
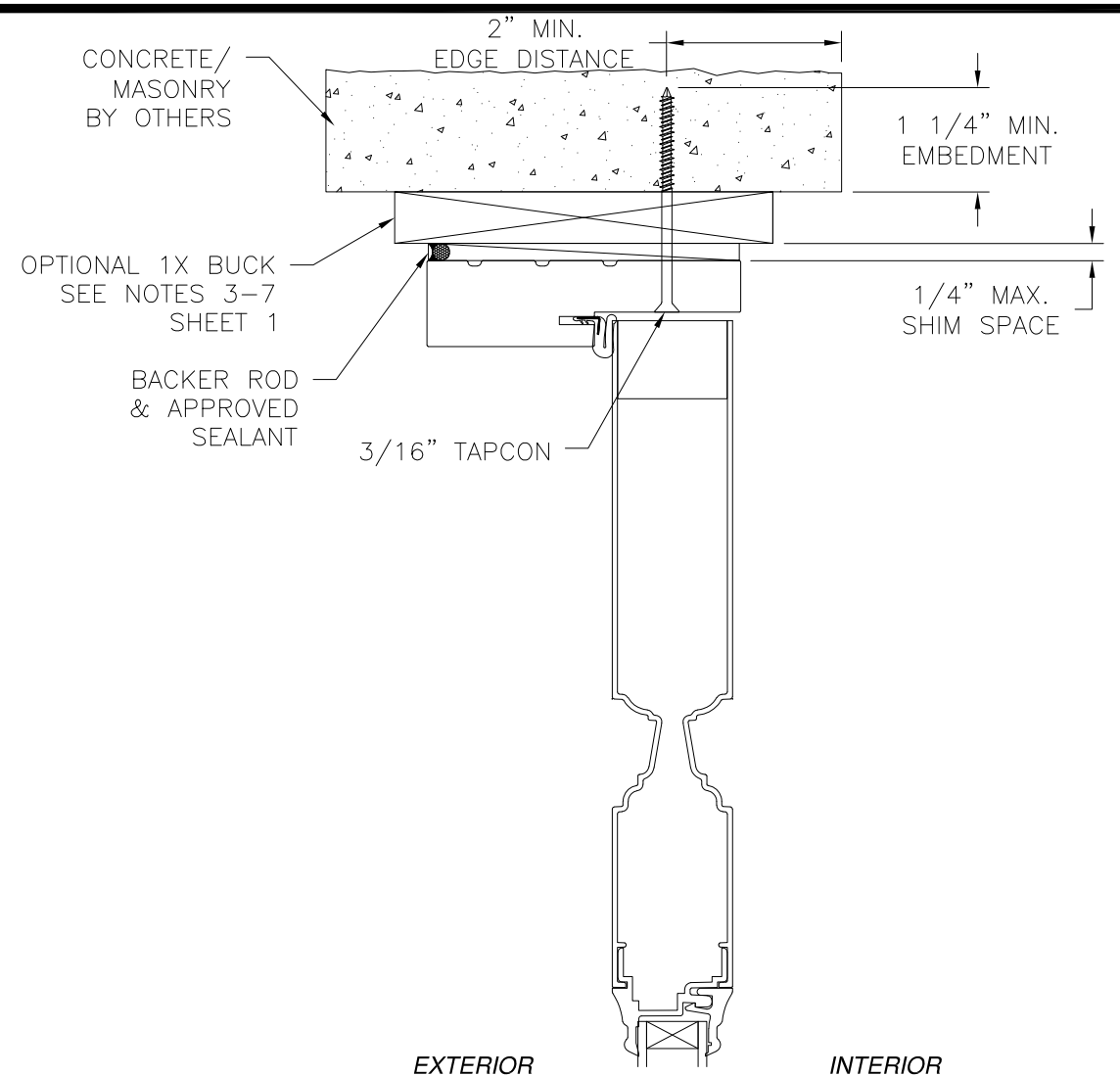
DRAWN: A.R.	DWG NO. 08-03316	REV A
SCALE NTS	DATE 09/27/2018	SHEET 4 OF 7

L. ROBERTO LOMAS P.E.
1432 WOODFORD RD LEWISVILLE, NC 27023
434-688-0609 rllomas@rlomaspe.com



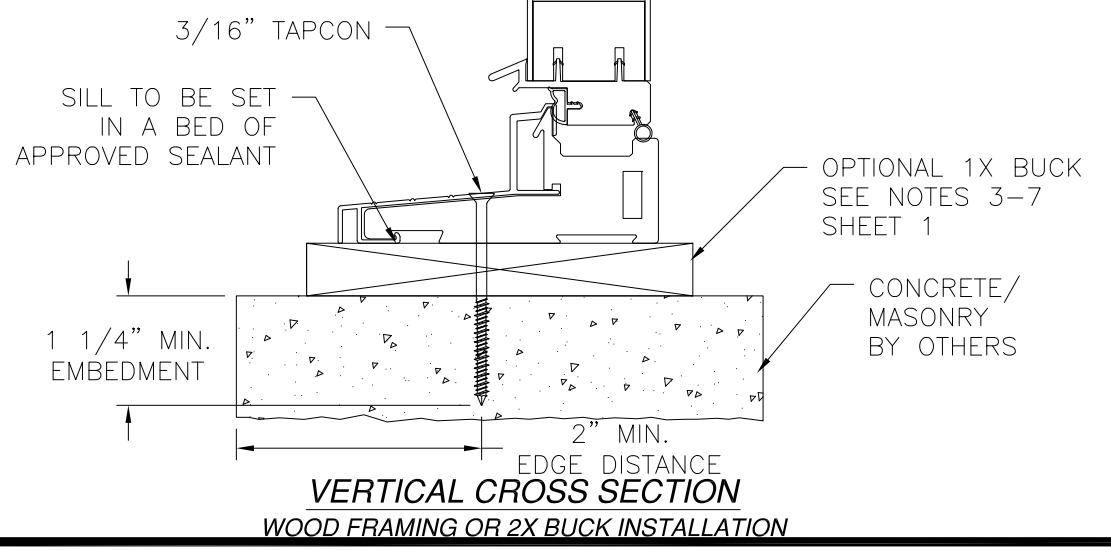
Luis R. Lomas P.E.
TX No.: 101889
Firm No: F-23130

REVISIONS			
REV	DESCRIPTION	DATE	APPROVED
A	REVISED PER NEW CODE	12/23/2021	R.L.



JAMB INSTALLATION DETAIL
WOOD FRAMING OR 2X BUCK INSTALLATION

- NOTES:**
1. INTERIOR AND EXTERIOR FINISHES, BY OTHERS, NOT SHOWN FOR CLARITY.
 2. PERIMETER AND JOINT SEALANT BY OTHERS TO BE DESIGNED IN ACCORDANCE WITH ASTM E2112



VERTICAL CROSS SECTION
WOOD FRAMING OR 2X BUCK INSTALLATION

SIGNED: 02/14/2022

NAN YA PLASTICS CORP. USA
8989 NORTH LOOP EAST
HOUSTON, TX 77029

SERIES "ENTRY DOOR INSWING" FIBERGLASS
GLAZED SIDE HINGED DOOR, NON-IMPACT
INSTALLATION DETAILS

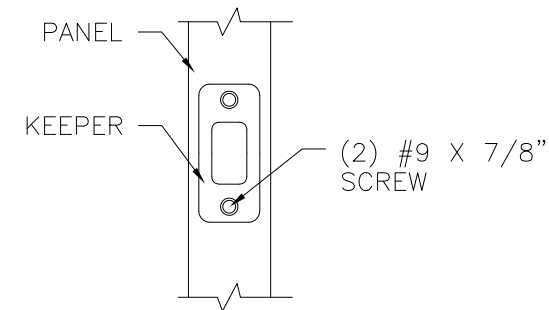
DRAWN: A.R.	DWG NO. 08-03316	REV A
SCALE NTS	DATE 09/27/2018	SHEET 5 OF 7

L. ROBERTO LOMAS P.E.
1432 WOODFORD RD LEWISVILLE, NC 27023
434-688-0609 rllomas@rlomaspe.com

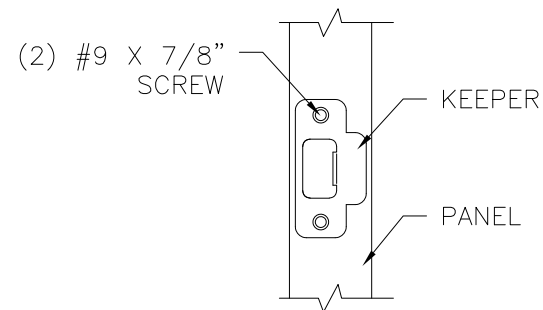


Luis R. Lomas P.E.
TX No.: 101889
Firm No: F-23130

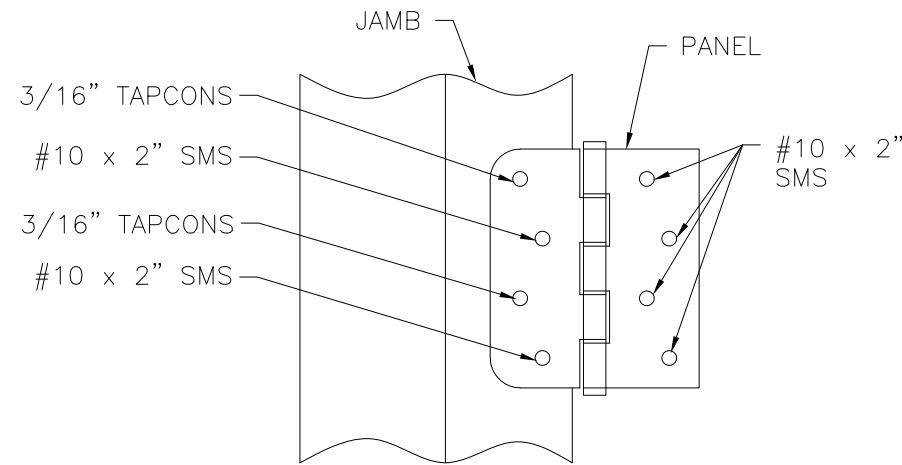
REVISIONS			
REV	DESCRIPTION	DATE	APPROVED
A	REVISED PER NEW CODE	12/23/2021	R.L.



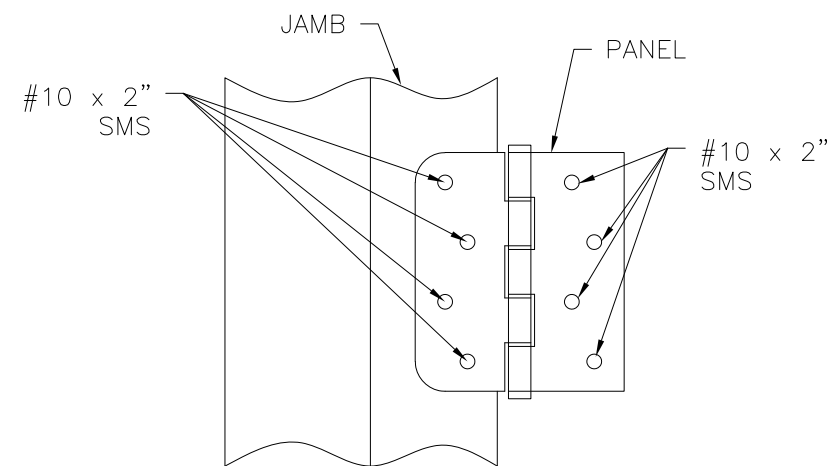
DEADBOLT KEEPER DETAIL



LATCH KEEPER DETAIL



**HINGE INSTALLATION DETAIL
MASONRY/CONCRETE INSTALLATION**



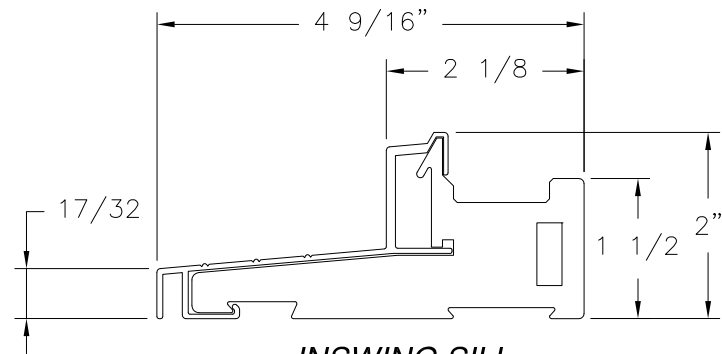
**HINGE INSTALLATION DETAIL
WOOD AND METAL INSTALLATION**

SIGNED: 02/14/2022

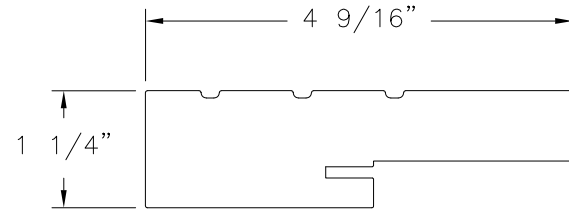
<p>NAN YA PLASTICS CORP. USA 8989 NORTH LOOP EAST HOUSTON, TX 77029</p>		
<p>SERIES "ENTRY DOOR INSWING" FIBERGLASS GLAZED SIDE HINGED DOOR, NON-IMPACT INSTALLATION DETAILS</p>		
DRAWN: A.R.	DWG NO. 08-03316	REV A
SCALE NTS	DATE 09/27/2018	SHEET 6 OF 7
<p>L. ROBERTO LOMAS P.E. 1432 WOODFORD RD LEWISVILLE, NC 27023 434-688-0609 rllomas@lrlomaspe.com</p>		



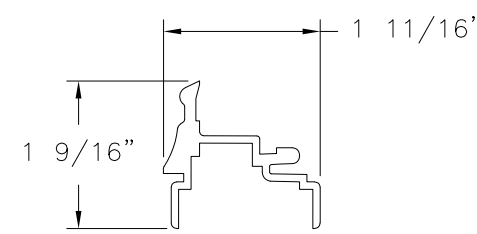
Luis R. Lomas P.E.
TX No.: 101889
Firm No: F-23130



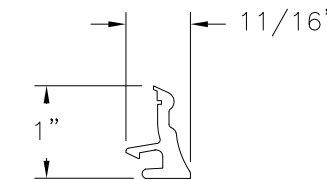
INSWING SILL
FOAM PVC CO-EX & ALUMINUM



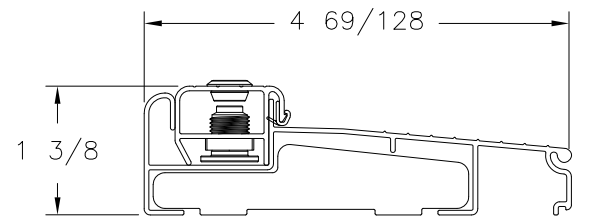
HEAD FRAME & JAMB
FOAM PVC CO-EX



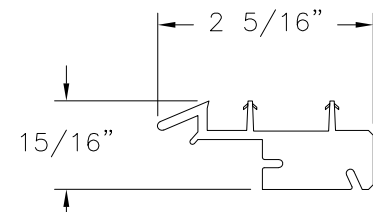
GLAZING FRAME
ABS



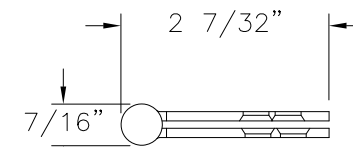
GLAZING BEAD
ABS



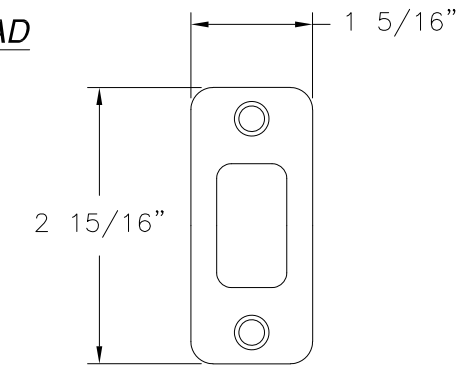
INSWING THRESHOLD ZAILAA4565
ALTERNATE



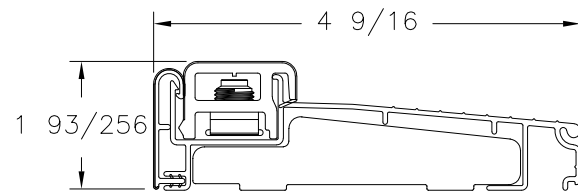
DOOR BOTTOM
RIGID PVC CO-EX



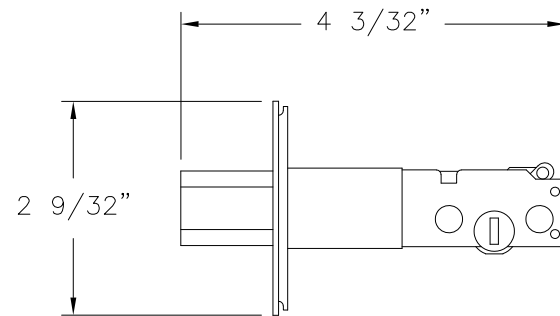
4" X 4" DOOR HINGE
STEEL



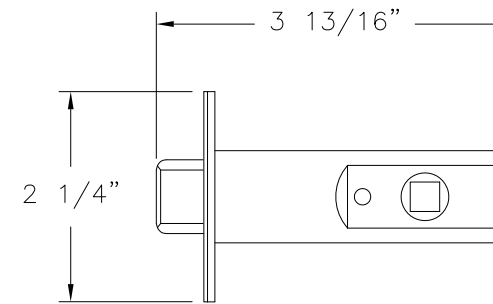
DEADBOLT KEEPER
STEEL
BY JAM YUAN ENTERPRISES CO., LTD



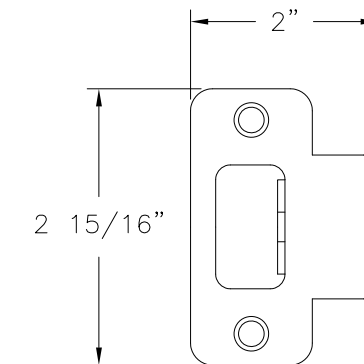
INSWING THRESHOLD ZAIL4565
ALTERNATE



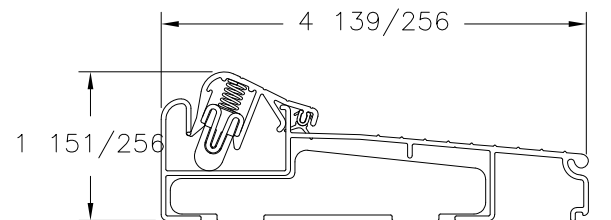
DOOR DEADBOLT
STEEL
BY JAM YUAN ENTERPRISES CO., LTD



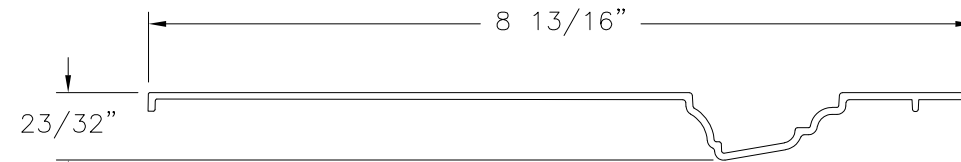
DOOR LATCH
STEEL
BY JAM YUAN ENTERPRISES CO., LTD



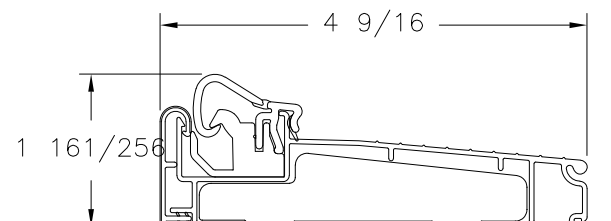
DOOR LATCH KEEPER
STEEL
BY JAM YUAN ENTERPRISES CO., LTD



INSWING THRESHOLD ZACLA4565
ALTERNATE



SHEET MOLDING COMPOUND SKIN
FIBERGLASS



INSWING THRESHOLD ZAACL4565
ALTERNATE

REVISIONS			
REV	DESCRIPTION	DATE	APPROVED
A	REVISED PER NEW CODE	12/23/2021	R.L.

SIGNED: 02/14/2022

NAN YA PLASTICS CORP. USA
8989 NORTH LOOP EAST
HOUSTON, TX 77029

SERIES "ENTRY DOOR INSWING" FIBERGLASS
GLAZED SIDE HINGED DOOR, NON-IMPACT
COMPONENTS

DRAWN: A.R.	DWG NO. 08-03316	REV A
SCALE NTS	DATE 09/27/2018	SHEET 7 OF 7

L. ROBERTO LOMAS P.E.
1432 WOODFORD RD LEWISVILLE, NC 27023
434-688-0609 rllomas@rlomaspe.com



Luis R. Lomas P.E.
TX No.: 101889
Firm No: F-23130