

REVISIONS			
REV	DESCRIPTION	DATE	APPROVED
B	REVISED PER NEW CODE	12/23/2021	R.L.

NOTES:

1. THE PRODUCT SHOWN HEREIN IS DESIGNED AND MANUFACTURED TO COMPLY WITH REQUIREMENTS OF THE 2018 IBC AND 2018 IRC.
2. WOOD FRAMING AND MASONRY OPENING TO BE DESIGNED AND ANCHORED TO PROPERLY TRANSFER ALL LOADS TO STRUCTURE. FRAMING AND MASONRY OPENING IS THE RESPONSIBILITY OF THE ARCHITECT OR ENGINEER OF RECORD.
3. 1X BUCK OVER MASONRY/CONCRETE IS OPTIONAL.
4. WHERE SHIM OR BUCK THICKNESS IS LESS THAN 1-1/2" WINDOW UNITS MUST BE ANCHORED THROUGH THE FRAME IN ACCORDANCE WITH MANUFACTURER'S PUBLISHED INSTALLATION INSTRUCTIONS. ANCHORS SHALL BE SECURELY FASTENED DIRECTLY INTO MASONRY, CONCRETE OR OTHER STRUCTURAL SUBSTRATE MATERIAL.
5. WHERE WOOD BUCK THICKNESS IS 1-1/2" OR GREATER, BUCK SHALL BE SECURELY FASTENED TO MASONRY, CONCRETE OR OTHER STRUCTURAL SUBSTRATE. WINDOW UNITS MAY BE ANCHORED THROUGH FRAME TO SECURED WOOD BUCK IN ACCORDANCE WITH MANUFACTURER'S PUBLISHED INSTALLATION INSTRUCTIONS.
6. WHERE 1X BUCK IS NOT USED DISSIMILAR MATERIALS MUST BE SEPARATED WITH APPROVED COATING OR MEMBRANE. SELECTION OF COATING OR MEMBRANE IS THE RESPONSIBILITY OF THE ARCHITECT OR ENGINEER OF RECORD.
7. BUCKS SHALL EXTEND BEYOND WINDOW INTERIOR FACE SO THAT FULL FRAME SUPPORT IS PROVIDED.
8. SHIM AS REQUIRED AT EACH ANCHOR LOCATION WITH LOAD BEARING SHIM. SHIM WHERE SPACE OF 1/16" OR GREATER OCCURS. MAXIMUM ALLOWABLE SHIM STACK TO BE 1/4".
9. SHIMS SHALL BE LOCATED, APPLIED AND MADE FROM MATERIALS AND THICKNESS CAPABLE OF SUSTAINING APPLICABLE LOADS.
10. WIND LOAD DURATION FACTOR Cd=1.6 WAS USED FOR WOOD ANCHOR CALCULATIONS.
11. FRAME MATERIAL: CO-EXTRUDED PVC FOAM.
12. UNITS MUST BE GLAZED PER ASTM E1300, SEE SHEET 2 FOR GLASS DETAILS.
13. APPROVED IMPACT PROTECTIVE SYSTEM IS NOT REQUIRED FOR THIS PRODUCT IN WIND BORNE DEBRIS REGIONS.
14. FOR ANCHORING INTO WOOD FRAMING OR 2X BUCK USE #10 WOOD SCREWS WITH SUFFICIENT LENGTH TO ACHIEVE A 1 1/4" MINIMUM EMBEDMENT INTO SUBSTRATE. LOCATE ANCHORS AS SHOWN IN ELEVATIONS AND INSTALLATION DETAILS.
15. FOR ANCHORING INTO MASONRY/CONCRETE USE 1/4" TAPCONS WITH SUFFICIENT LENGTH TO ACHIEVE A 1 1/4" MINIMUM EMBEDMENT INTO SUBSTRATE WITH 2" MINIMUM EDGE DISTANCE. LOCATE ANCHORS AS SHOWN IN ELEVATIONS AND INSTALLATION DETAILS.
16. FOR ANCHORING INTO METAL STRUCTURE USE #10 SMS OR SELF DRILLING SCREWS WITH SUFFICIENT LENGTH TO ACHIEVE 3 THREADS MINIMUM BEYOND STRUCTURE INTERIOR WALL. LOCATE ANCHORS AS SHOWN IN ELEVATIONS AND INSTALLATION DETAILS.
17. ALL FASTENERS TO BE CORROSION RESISTANT.
18. INSTALLATION ANCHORS SHALL BE INSTALLED IN ACCORDANCE WITH ANCHOR MANUFACTURER'S INSTALLATION INSTRUCTIONS AND ANCHORS SHALL NOT BE USED IN SUBSTRATES WITH STRENGTHS LESS THAN THE MINIMUM STRENGTH SPECIFIED BELOW:
  - A. WOOD - MINIMUM SPECIFIC GRAVITY OF G=0.42
  - B. CONCRETE - MINIMUM COMPRESSIVE STRENGTH OF 3,192 PSI.
  - C. MASONRY - STRENGTH CONFORMANCE TO ASTM C-90, GRADE N, TYPE 1 (OR GREATER).
  - D. METAL STRUCTURE: STEEL 18GA, 33KSI OR ALUMINUM 6063-T5 .054" THICK MINIMUM
19. APPROVED CONFIGURATIONS: X, OX, XO, X/O, O/X, XX, OXX, XXO, O/XX, XX/O, OXO, O/XO, OX/O, O/XXO, OXX/O AND OXXO, SEE SHEET 3.
20. MAXIMUM PANEL SIZE: 34 1/2" X 79 1/16"
21. SIDELITES ARE ASSEMBLED TO FRAME WITH #10X2 1/2" WOOD SCREWS LOCATED 4" FROM EACH END AND 26 7/8" MAX O.C. THEREAFTER AT JAMBS AND 4" FROM EACH END AND ONE AT MIDSPAN AT HEAD AND SILL.

TABLE OF CONTENTS	
SHEET NO.	DESCRIPTION
1	NOTES
2	ELEVATION, HARDWARE & GLAZING DETAIL
3	APPROVED CONFIGURATIONS
4 - 5	ANCHORING LAYOUTS
6 - 13	INSTALLATION DETAILS
14	COMPONENTS

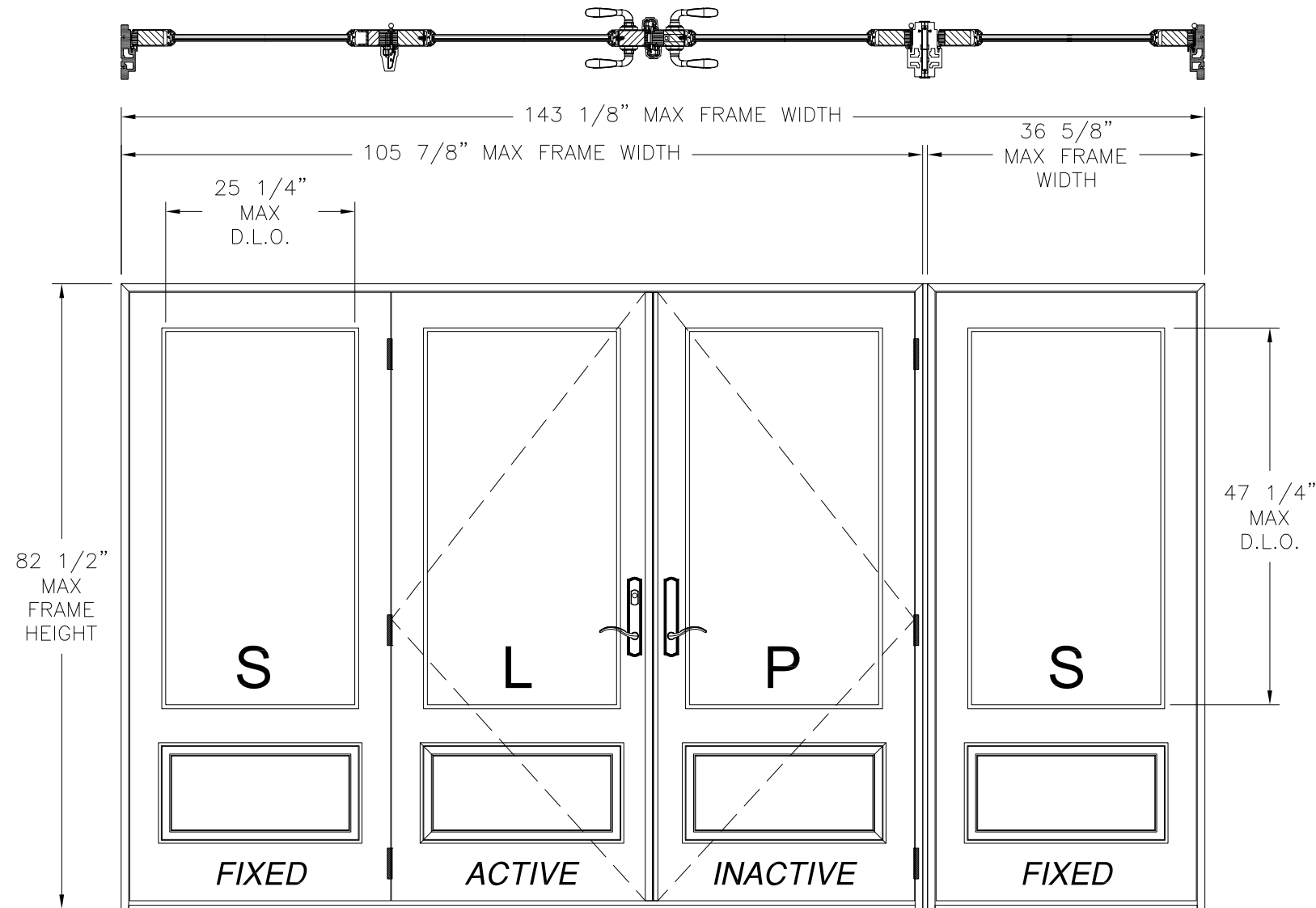
<b>NAN YA PLASTICS CORP. USA</b> 8989 NORTH LOOP EAST HOUSTON, TX 77029		
SERIES SLPS 6'11" INSWING 3/4 LITE PATIO DOOR IMPACT NOTES		
DRAWN: V.L.	DWG NO. 08-02391	REV B
SCALE NTS	DATE 05/27/14	SHEET 1 OF 14
L. ROBERTO LOMAS P.E. 1432 WOODFORD RD LEWISVILLE, NC 27023 434-688-0609 rllomas@rlomaspe.com		

SIGNED: 12/23/2021

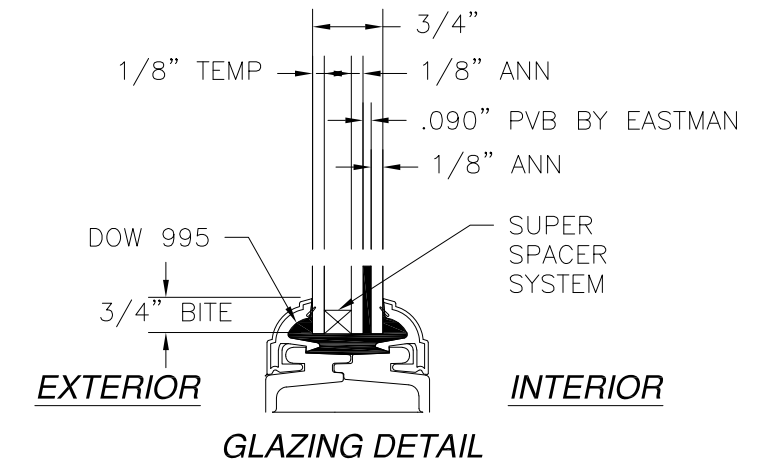


Luis R. Lomas P.E.  
 TX No.: 101889  
 Firm No: F-23130

REVISIONS			
REV	DESCRIPTION	DATE	APPROVED
B	REVISED PER NEW CODE	12/23/2021	R.L.



- NOTES:**
- PANEL SIZE: 34 1/2" X 79 1/16"
  - D.L.O.: 25 1/4" X 47 1/4"



**SLPS 6'11" INSWING 3/4 LITE PATIO DOOR**  
EXTERIOR VIEW

DESIGN LOAD RATING	IMPACT RATING
±50.0PSF	LARGE AND SMALL MISSILE IMPACT

MISSILE LEVEL D, WIND ZONE 4

SIGNED: 12/23/2021

NAN YA PLASTICS CORP. USA  
8989 NORTH LOOP EAST  
HOUSTON, TX 77029

SERIES SLPS 6'11" INSWING  
3/4 LITE PATIO DOOR IMPACT  
ELEVATION AND GLAZING DETAIL

DRAWN: V.L.	DWG NO. 08-02391	REV B
SCALE NTS	DATE 05/27/14	SHEET 2 OF 14

L. ROBERTO LOMAS P.E.  
1432 WOODFORD RD LEWISVILLE, NC 27023  
434-688-0609 rllomas@rlomaspe.com

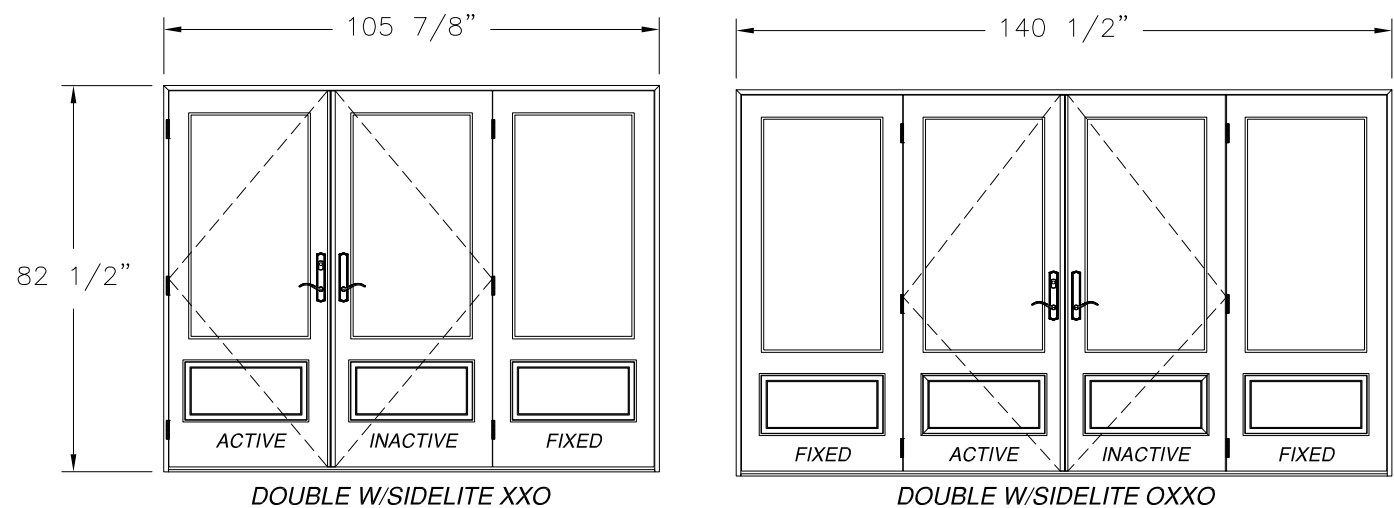
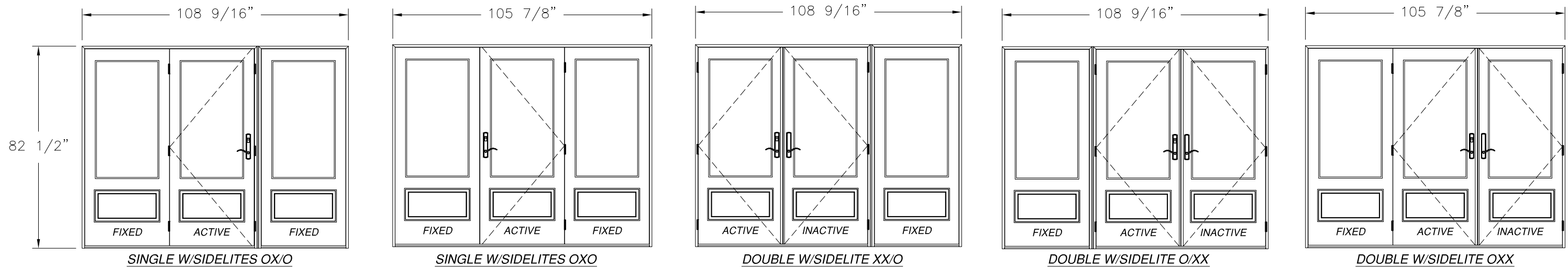
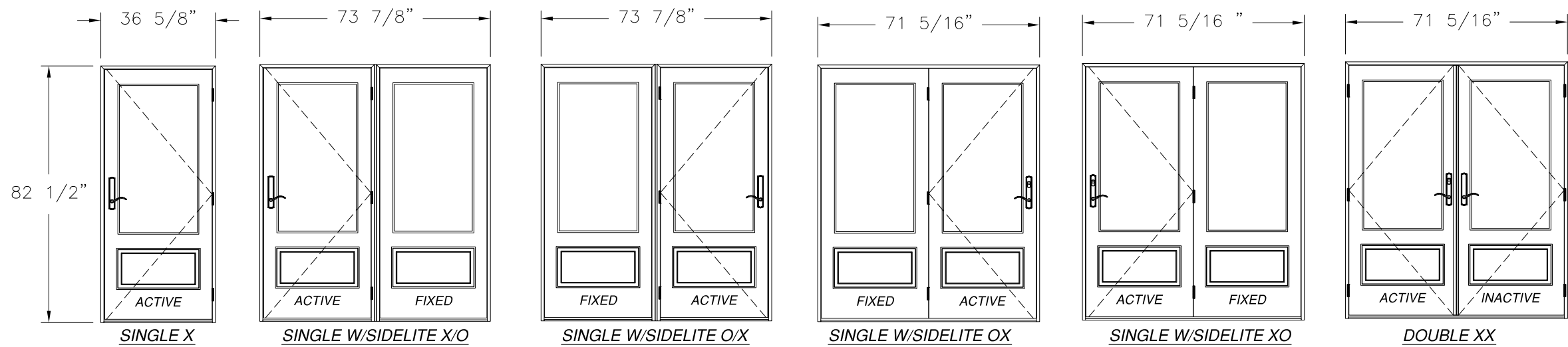


Luis R. Lomas P.E.  
TX No.: 101889  
Firm No: F-23130

**HARDWARE SCHEDULE**

A.	(3) STEEL 4X4 BUTT HINGE BY WENZHOU LONGTAI (PER PANEL), AT 7 5/8", 37 7/8" & 68 1/8" FROM FRAME HEAD
B.	STAINLESS STEEL, MULTI-POINT (3) LOCKING SYSTEM WITH KEEPER AT PASSIVE PANEL, 5 7/8", 40 7/8" AND 73 1/4" FROM TOP OF PANEL
C.	STAINLESS STEEL, TOP/BOTTOM DRIVE BAR SYSTEM AT ACTIVE PANEL
D.	DIE CAST HANDLE SETS AT ACTIVE AND PASSIVE PANELS
E.	ALUMINUM REINFORCEMENT-A AT ASTRAGAL
F.	ALUMINUM REINFORCEMENT-B AT INTEGRAL MULLION

REVISIONS			
REV	DESCRIPTION	DATE	APPROVED
B	REVISED PER NEW CODE	12/23/2021	R.L.



NAN YA PLASTICS CORP. USA  
 8989 NORTH LOOP EAST  
 HOUSTON, TX 77029

SERIES SLPS 6'11" INSWING  
 3/4 LITE PATIO DOOR IMPACT  
 ADDITIONAL APPROVED CONFIGURATIONS

DRAWN: V.L.	DWG NO. 08-02391	REV B
SCALE NTS	DATE 05/27/14	SHEET 3 OF 14

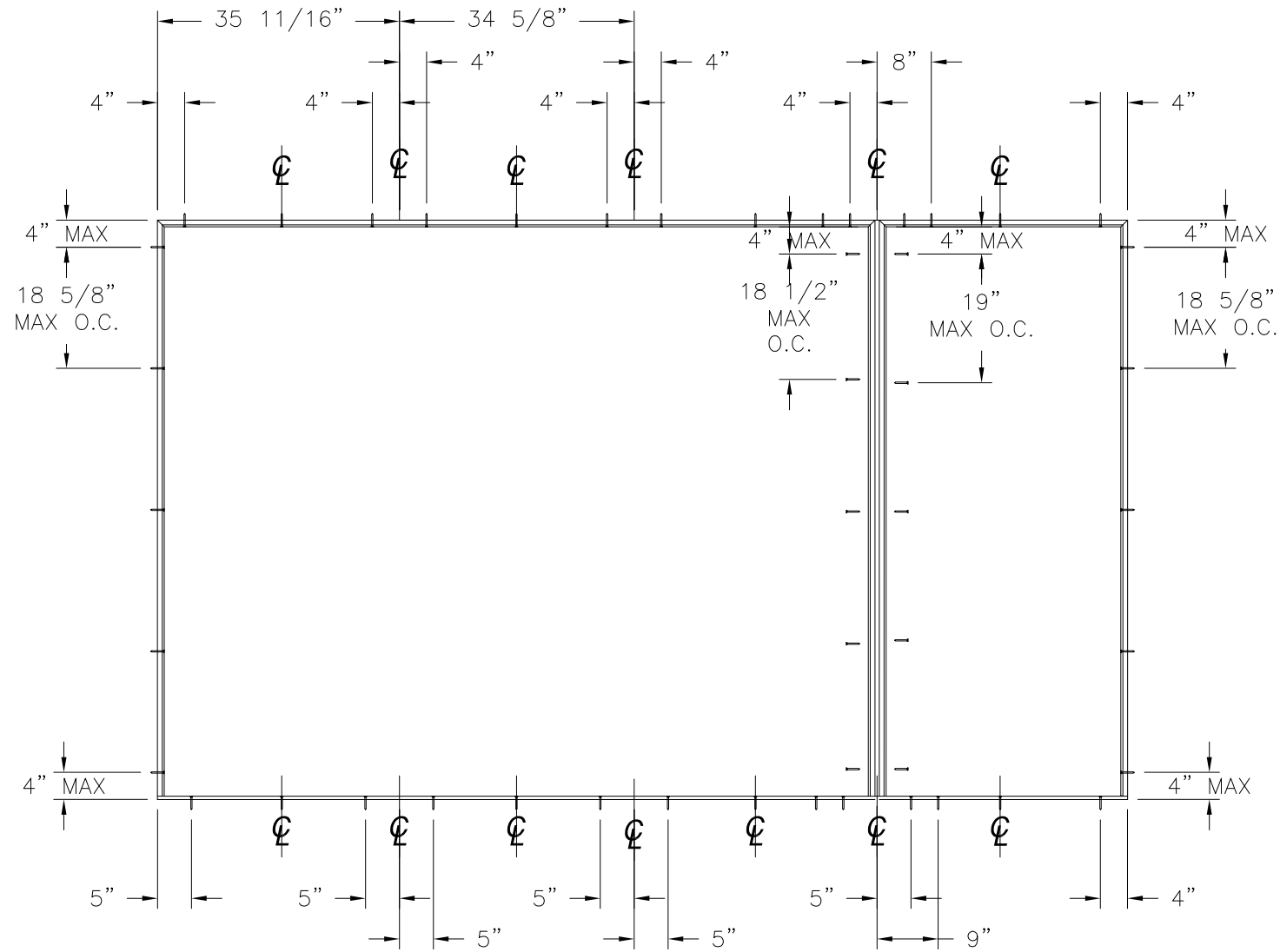
L. ROBERTO LOMAS P.E.  
 1432 WOODFORD RD LEWISVILLE, NC 27023  
 434-688-0609 rllomas@rlomaspe.com

SIGNED: 12/23/2021

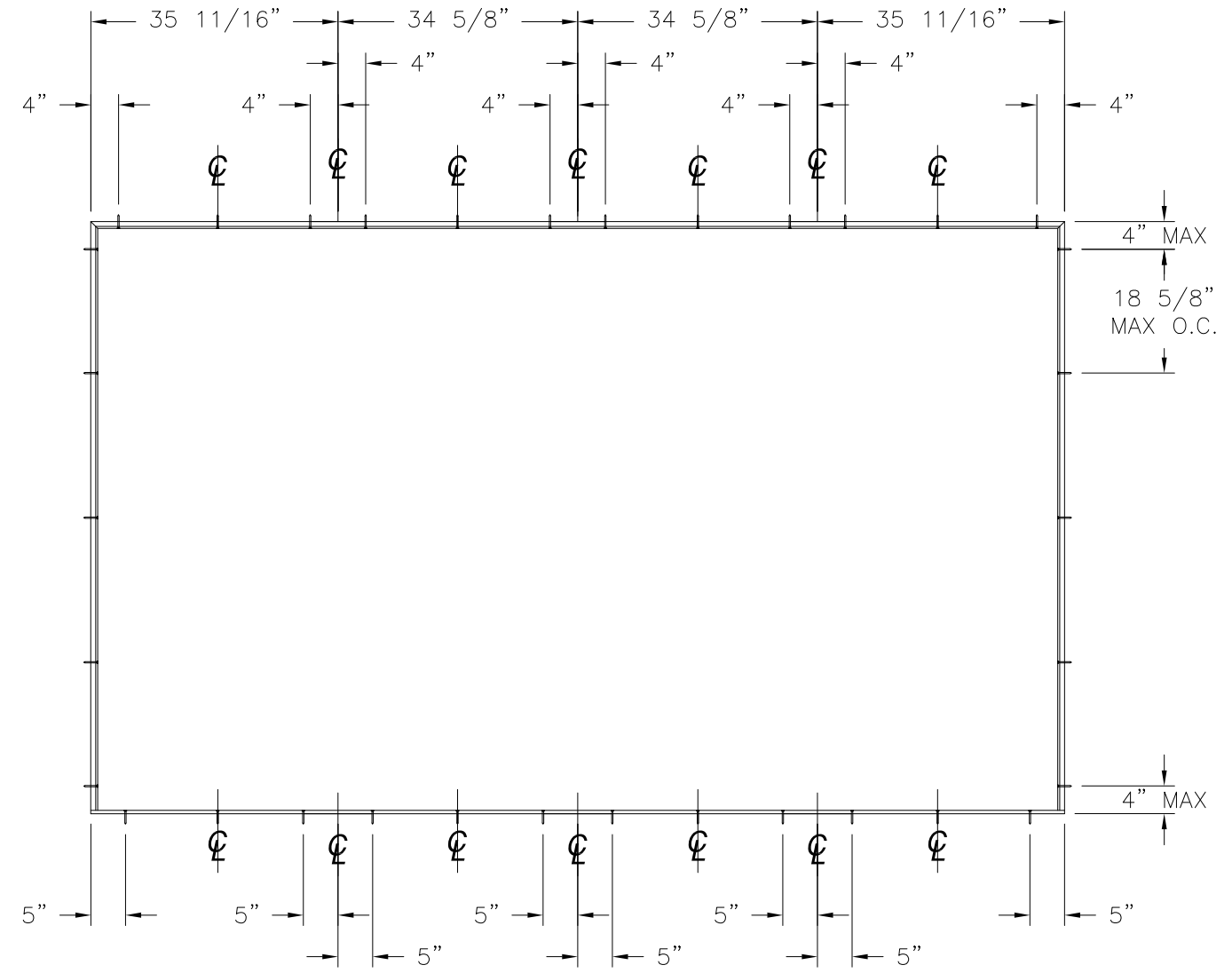


Luis R. Lomas P.E.  
 TX No.: 101889  
 Firm No: F-23130

REVISIONS			
REV	DESCRIPTION	DATE	APPROVED
B	REVISED PER NEW CODE	12/23/2021	R.L.



ANCHORING LAYOUT FOR O/XXO, OXX/O



ANCHORING LAYOUT FOR OXXO

SIGNED: 12/23/2021

NAN YA PLASTICS CORP. USA  
 8989 NORTH LOOP EAST  
 HOUSTON, TX 77029

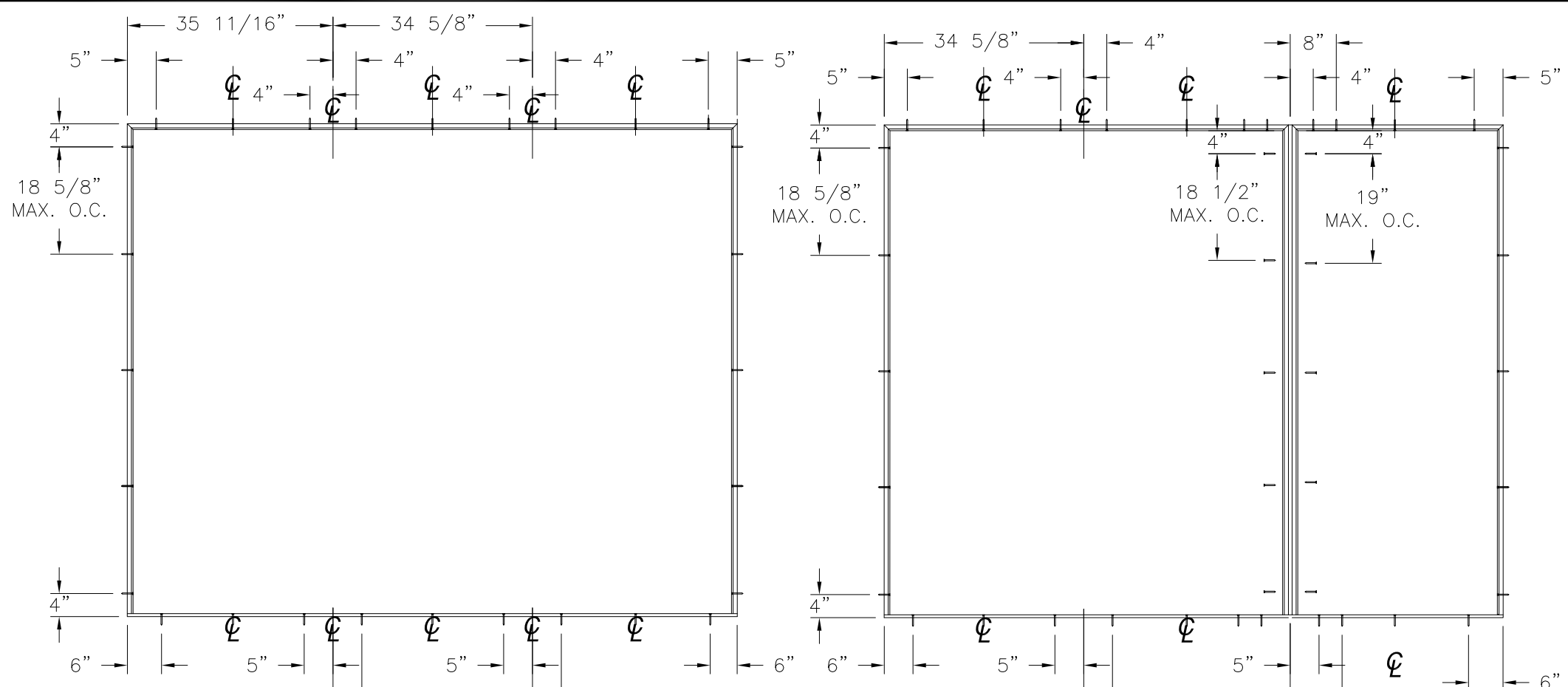
SERIES SLPS 6'11" INSWING  
 3/4 LITE PATIO DOOR IMPACT  
 ANCHORING LAYOUTS

DRAWN: V.L.	DWG NO. 08-02391	REV B
SCALE NTS	DATE 05/27/14	SHEET 4 OF 14

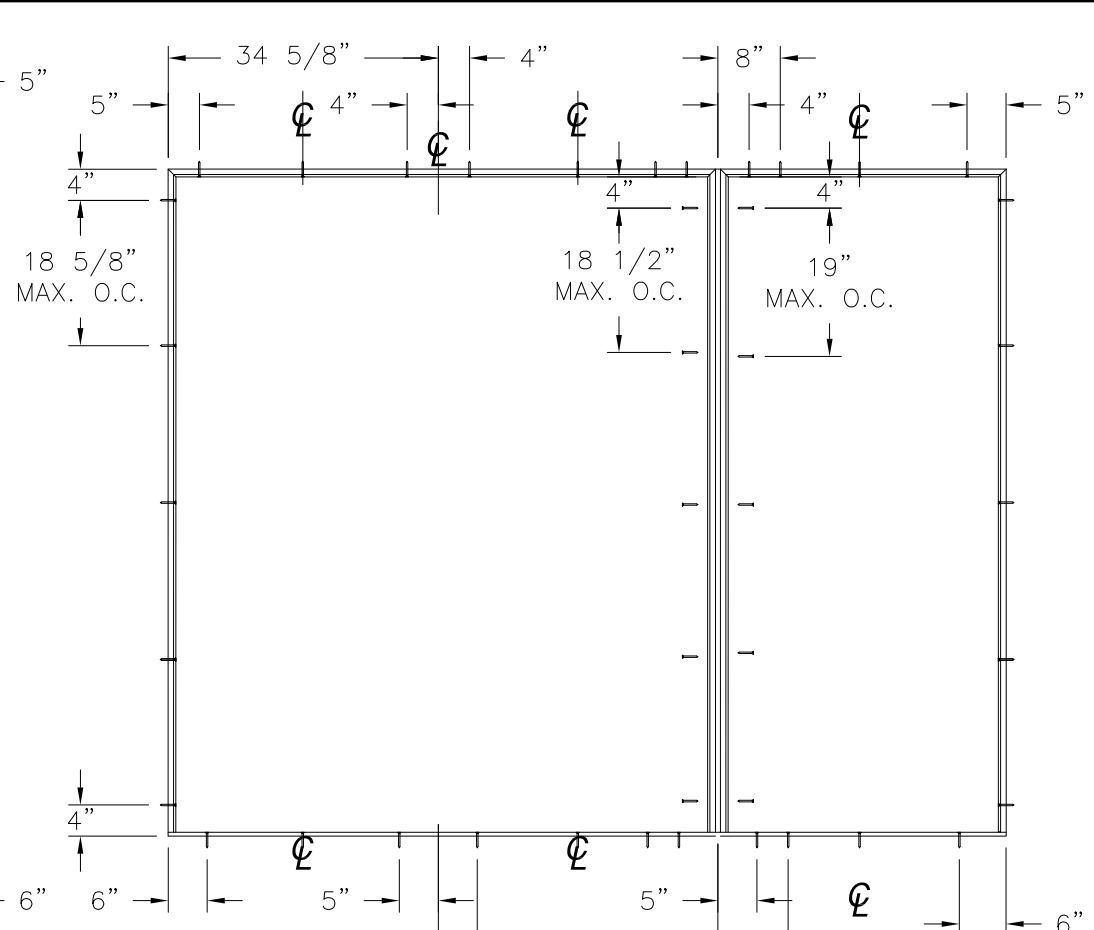
L. ROBERTO LOMAS P.E.  
 1432 WOODFORD RD LEWISVILLE, NC 27023  
 434-688-0609 rllomas@rlomaspe.com



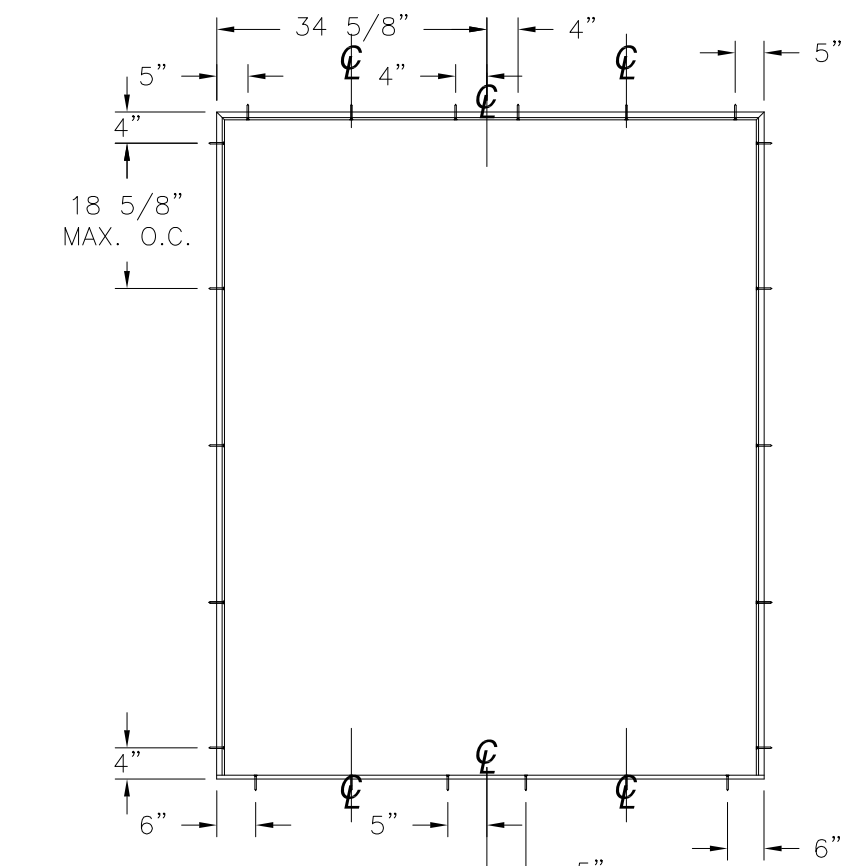
Luis R. Lomas P.E.  
 TX No.: 101889  
 Firm No: F-23130



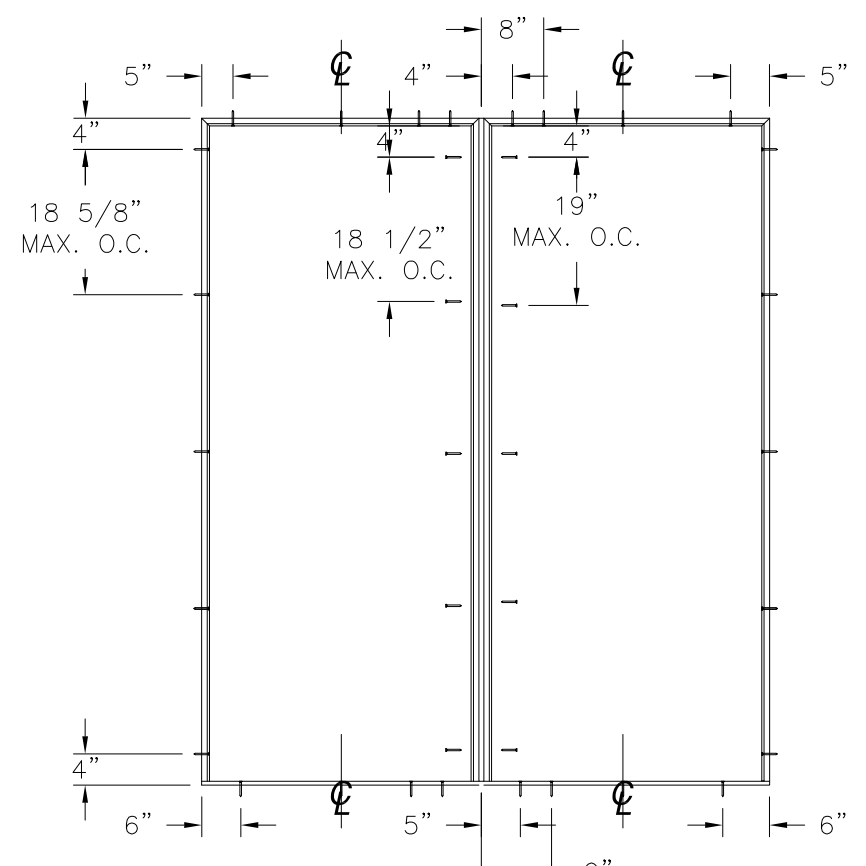
**ANCHORING LAYOUT FOR OXO, XXO AND OXX**



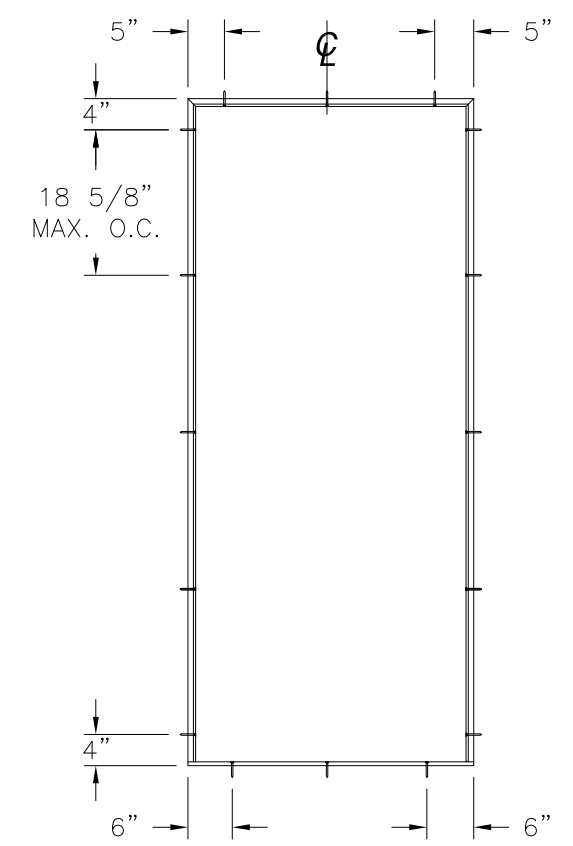
**ANCHORING LAYOUT FOR OX/O, O/XO, XX/O AND O/XX**



**ANCHORING LAYOUT FOR XX, OX AND XO**



**ANCHORING LAYOUT FOR O/X AND X/O**



**ANCHORING LAYOUT FOR X**

REVISIONS			
REV	DESCRIPTION	DATE	APPROVED
B	REVISED PER NEW CODE	12/23/2021	R.L.

NAN YA PLASTICS CORP. USA  
 8989 NORTH LOOP EAST  
 HOUSTON, TX 77029

SERIES SLPS 6'11" INSWING  
 3/4 LITE PATIO DOOR IMPACT  
 ANCHORING LAYOUTS

DRAWN: V.L.	DWG NO. 08-02391	REV B
SCALE NTS	DATE 05/27/14	SHEET 5 OF 14

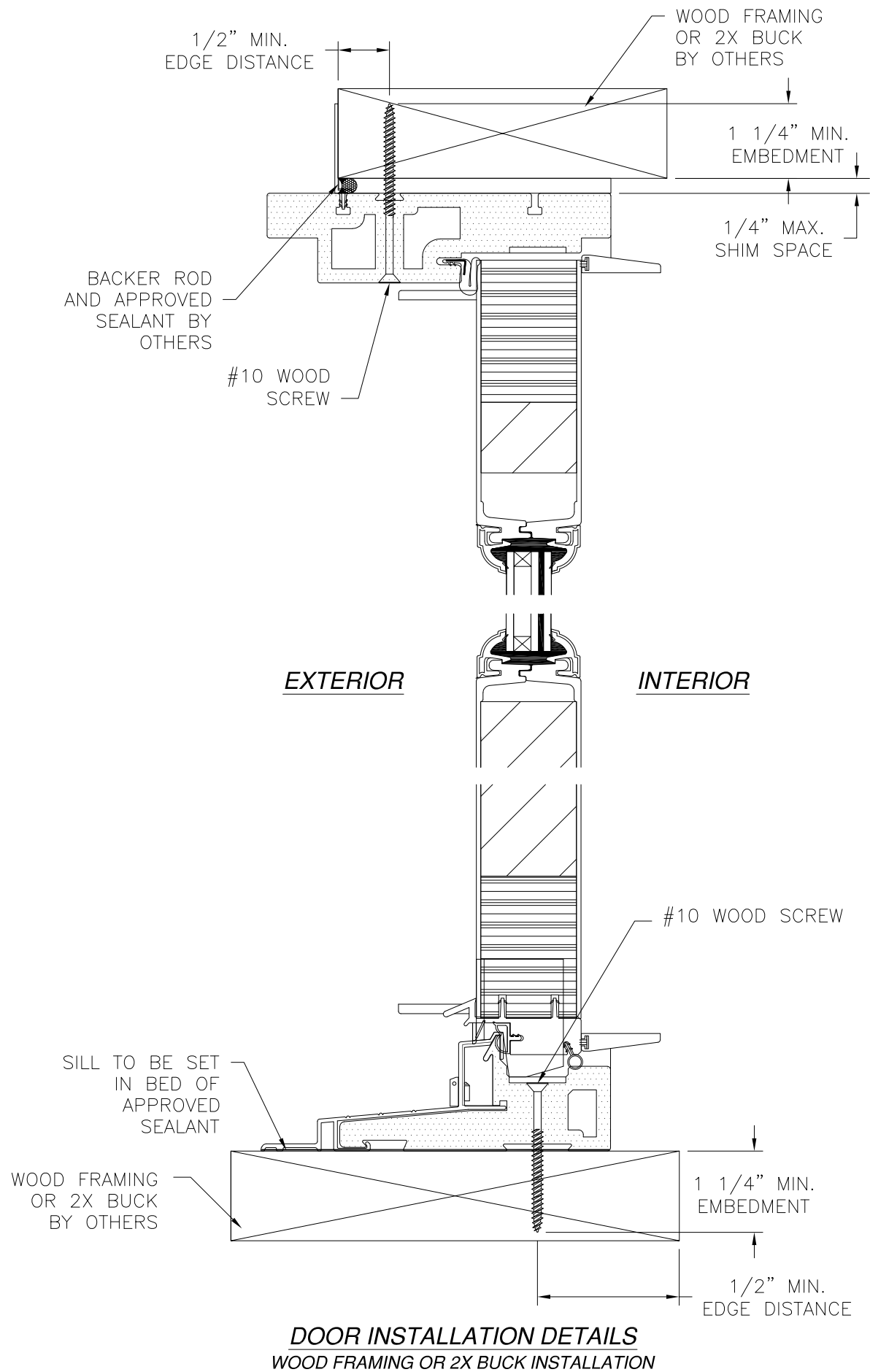
L. ROBERTO LOMAS P.E.  
 1432 WOODFORD RD LEWISVILLE, NC 27023  
 434-688-0609 rllomas@rlomaspe.com

SIGNED: 12/23/2021

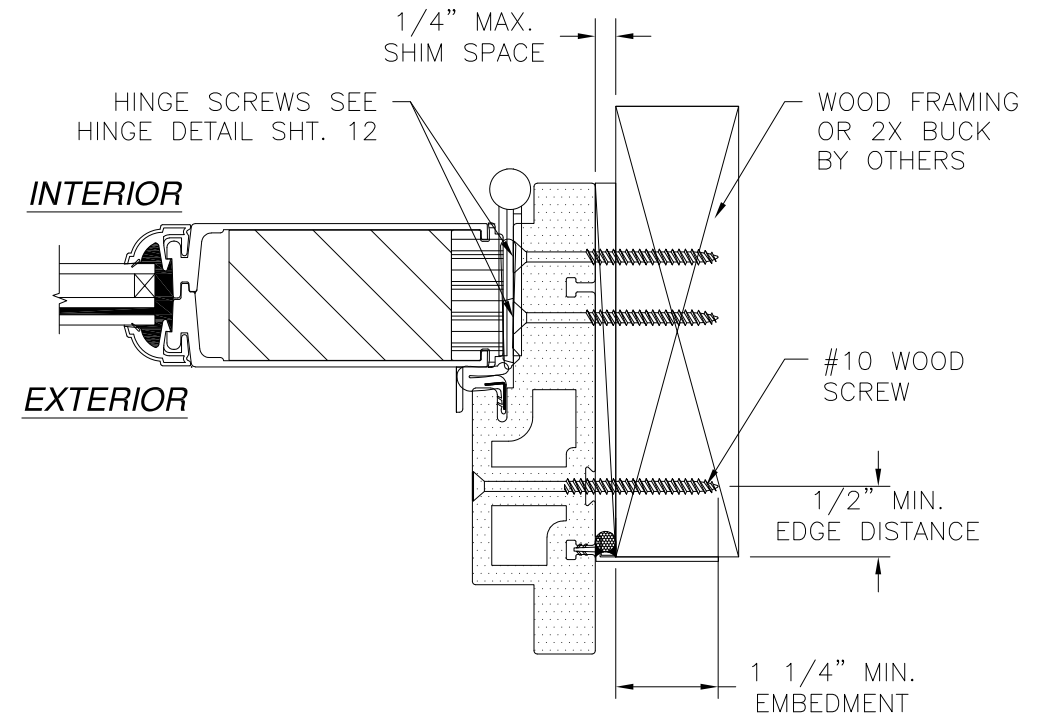


Luis R. Lomas P.E.  
 TX No.: 101889  
 Firm No: F-23130

REVISIONS			
REV	DESCRIPTION	DATE	APPROVED
B	REVISED PER NEW CODE	12/23/2021	R.L.



**DOOR INSTALLATION DETAILS**  
WOOD FRAMING OR 2X BUCK INSTALLATION



**DOOR INSTALLATION DETAILS**  
WOOD FRAMING OR 2X BUCK INSTALLATION

**NOTES:**

1. INTERIOR AND EXTERIOR FINISHES, BY OTHERS, NOT SHOWN FOR CLARITY.
2. PERIMETER AND JOINT SEALANT BY OTHERS TO BE DESIGNED IN ACCORDANCE WITH ASTM E2112

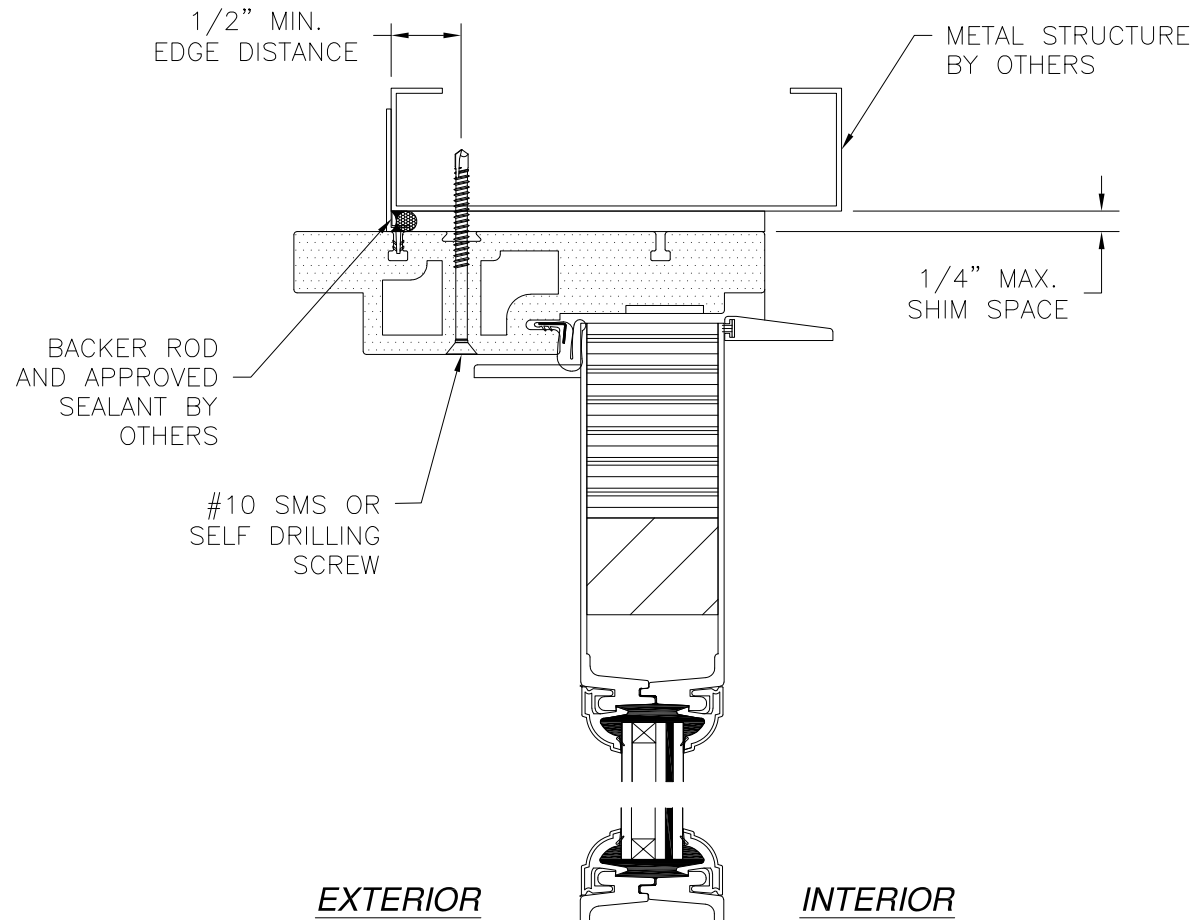
SIGNED: 12/23/2021

NAN YA PLASTICS CORP. USA 8989 NORTH LOOP EAST HOUSTON, TX 77029		
SERIES SLPS 6'11" INSWING 3/4 LITE PATIO DOOR IMPACT DOOR INSTALLATION DETAILS		
DRAWN: V.L.	DWG NO. 08-02391	REV B
SCALE NTS	DATE 05/27/14	SHEET 6 OF 14
L. ROBERTO LOMAS P.E. 1432 WOODFORD RD LEWISVILLE, NC 27023 434-688-0609 rllomas@rlomaspe.com		

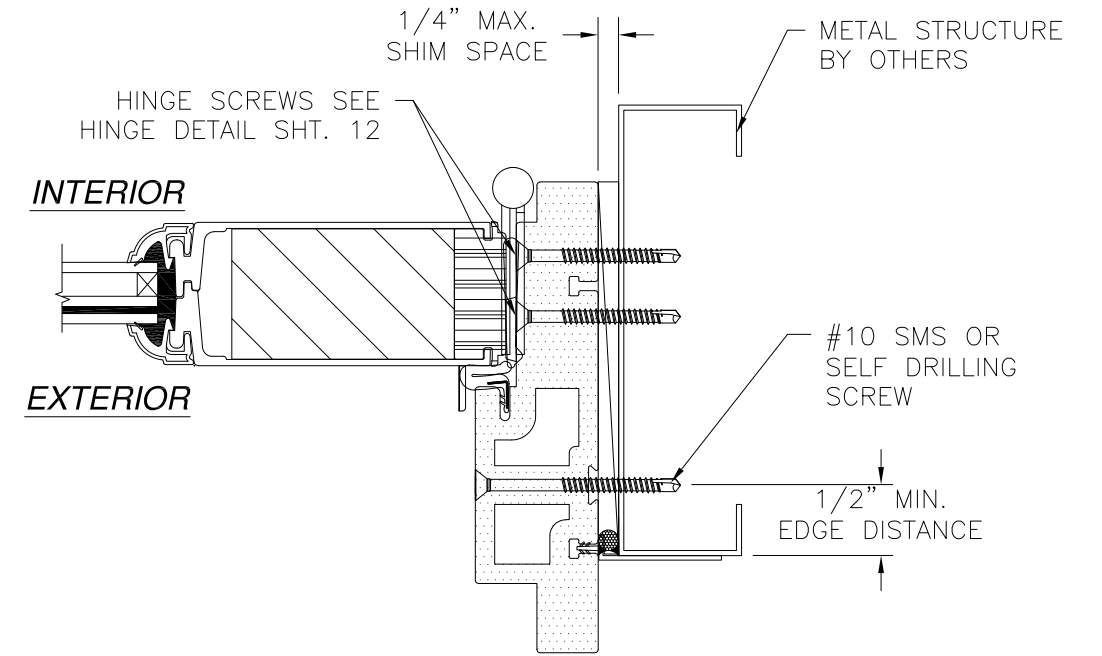


Luis R. Lomas P.E.  
TX No.: 101889  
Firm No: F-23130

REVISIONS			
REV	DESCRIPTION	DATE	APPROVED
B	REVISED PER NEW CODE	12/23/2021	R.L.

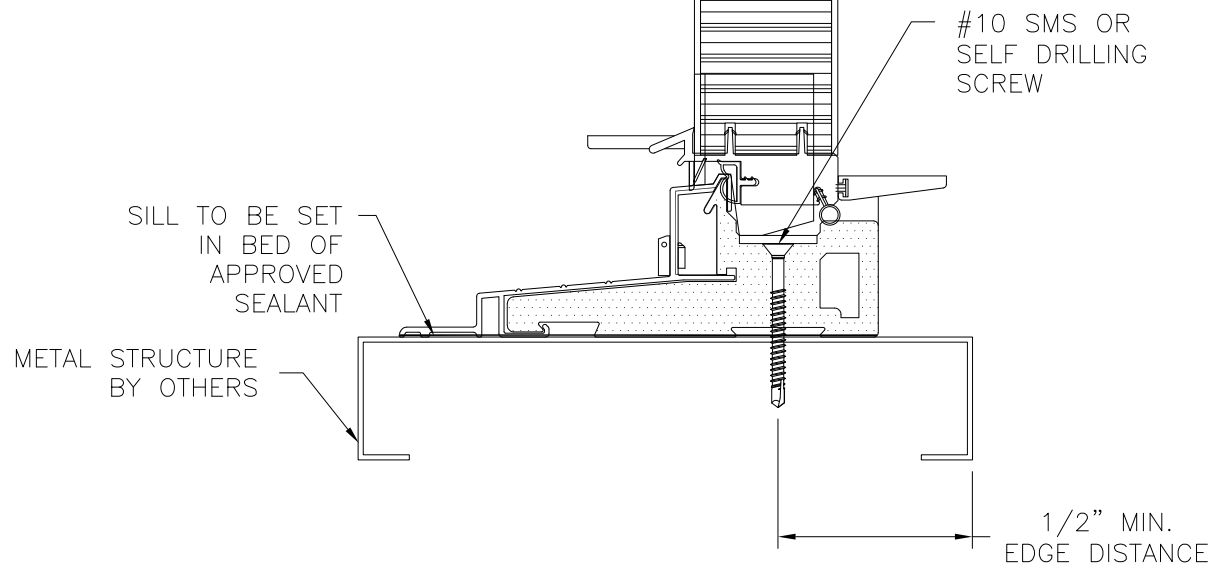


**EXTERIOR**                      **INTERIOR**



**INTERIOR**  
**EXTERIOR**

**DOOR INSTALLATION DETAILS**  
METAL STRUCTURE INSTALLATION



**DOOR INSTALLATION DETAILS**  
METAL STRUCTURE INSTALLATION

- NOTES:**
1. INTERIOR AND EXTERIOR FINISHES, BY OTHERS, NOT SHOWN FOR CLARITY.
  2. PERIMETER AND JOINT SEALANT BY OTHERS TO BE DESIGNED IN ACCORDANCE WITH ASTM E2112

**SIGNED: 12/23/2021**

**NAN YA PLASTICS CORP. USA**  
8989 NORTH LOOP EAST  
HOUSTON, TX 77029

SERIES SLPS 6'11" INSWING  
3/4 LITE PATIO DOOR IMPACT  
DOOR INSTALLATION DETAILS

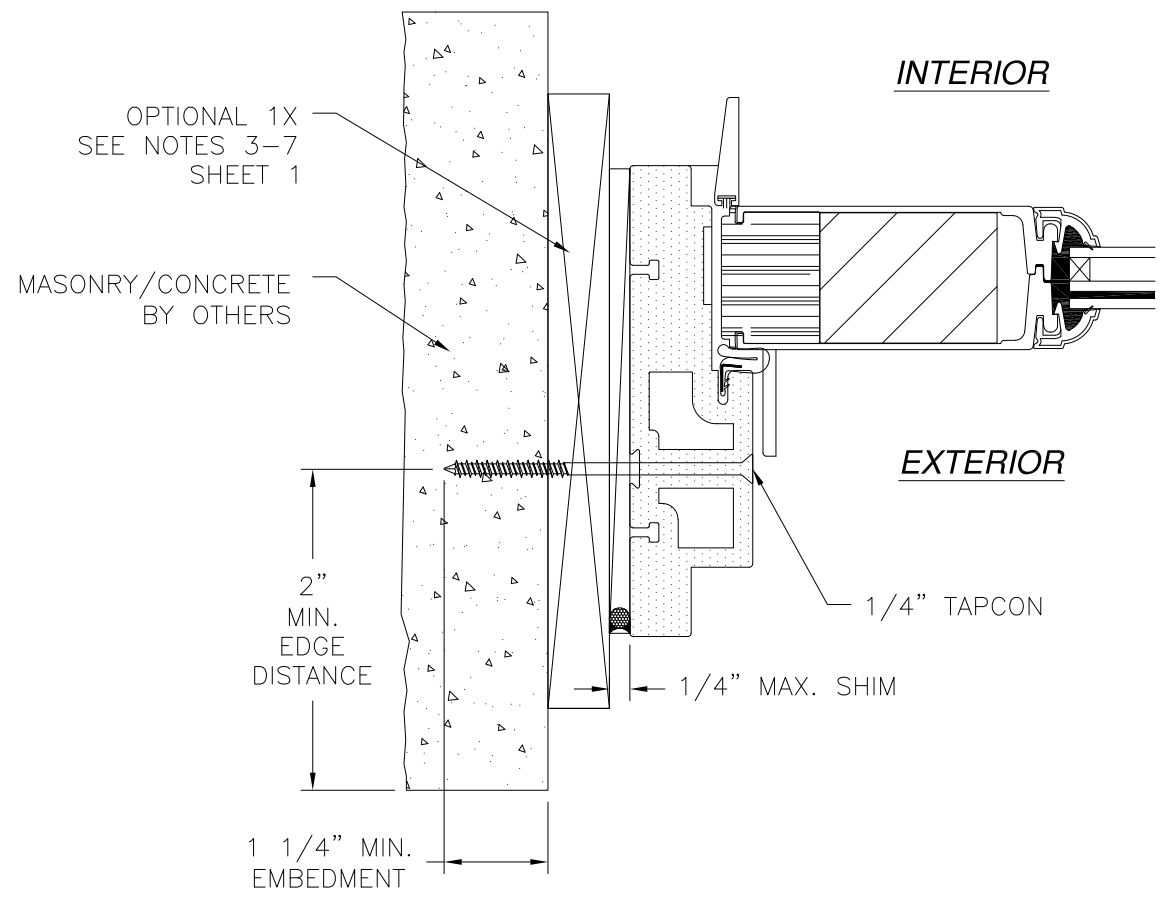
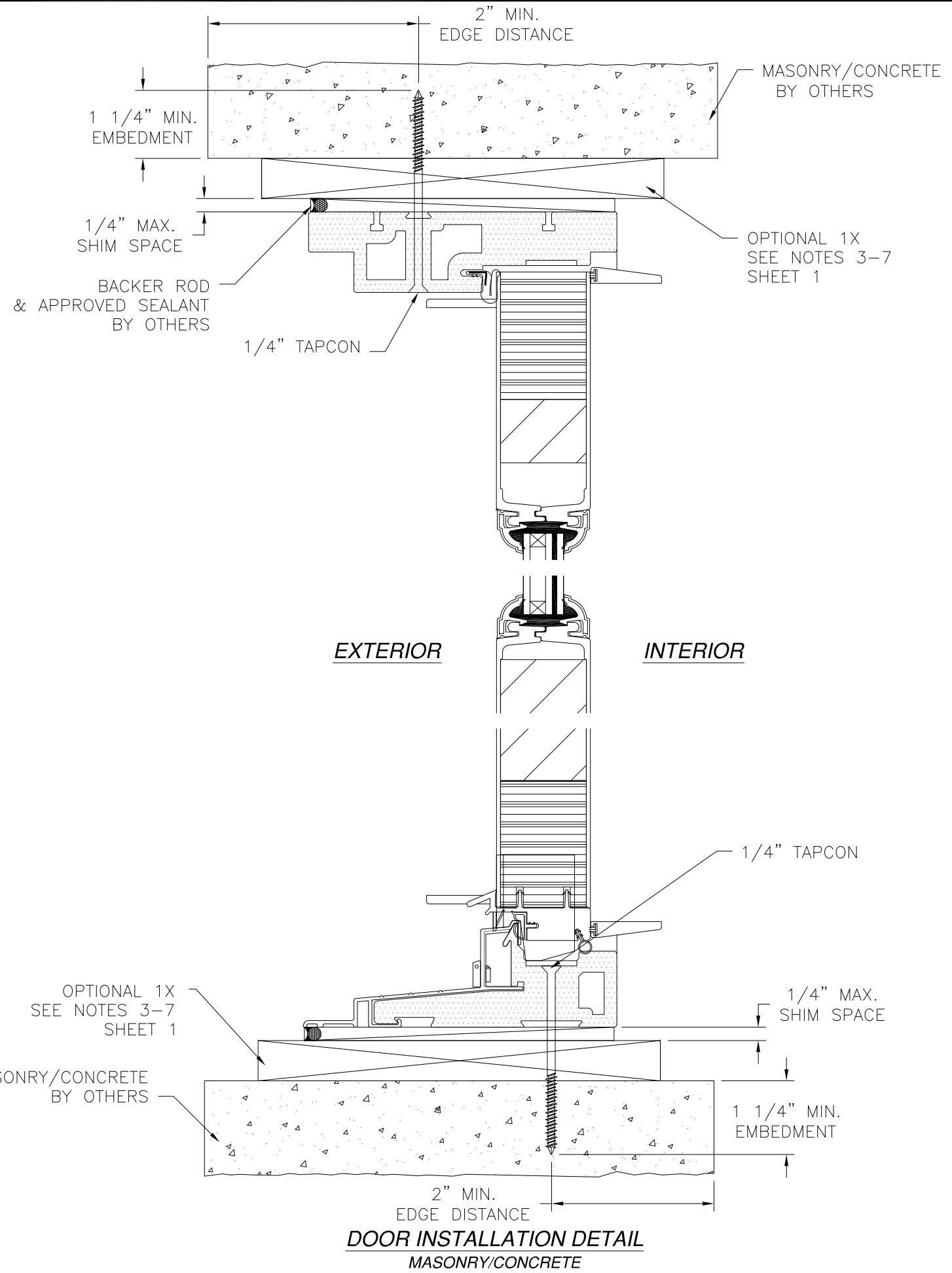
DRAWN: V.L.	DWG NO. 08-02391	REV B
SCALE NTS	DATE 05/27/14	SHEET 7 OF 14

L. ROBERTO LOMAS P.E.  
1432 WOODFORD RD LEWISVILLE, NC 27023  
434-688-0609 rllomas@rlomaspe.com



Luis R. Lomas P.E.  
TX No.: 101889  
Firm No: F-23130

REVISIONS			
REV	DESCRIPTION	DATE	APPROVED
B	REVISED PER NEW CODE	12/23/2021	R.L.



**DOOR INSTALLATION DETAIL**  
MASONRY/CONCRETE

- NOTES:**
1. INTERIOR AND EXTERIOR FINISHES, BY OTHERS, NOT SHOWN FOR CLARITY.
  2. PERIMETER AND JOINT SEALANT BY OTHERS TO BE DESIGNED IN ACCORDANCE WITH ASTM E2112

SIGNED: 12/23/2021

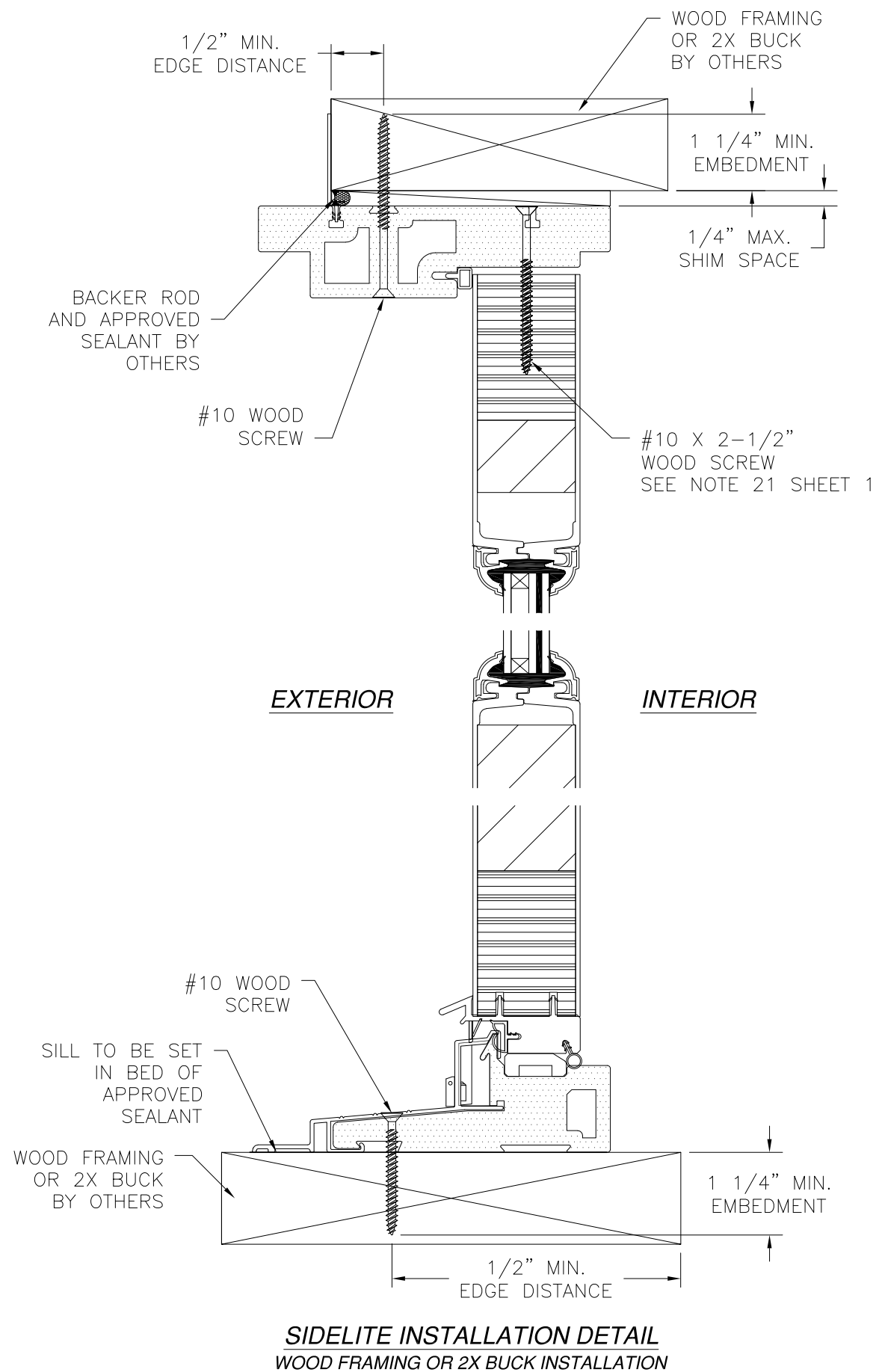
<p>NAN YA PLASTICS CORP. USA 8989 NORTH LOOP EAST HOUSTON, TX 77029</p>		
<p>SERIES SLPS 6'11" INSWING 3/4 LITE PATIO DOOR IMPACT DOOR INSTALLATION DETAILS</p>		
<p>DRAWN: V.L.</p>	<p>DWG NO. 08-02391</p>	<p>REV B</p>
<p>SCALE NTS</p>	<p>DATE 05/27/14</p>	<p>SHEET 8 OF 14</p>
<p>L. ROBERTO LOMAS P.E. 1432 WOODFORD RD LEWISVILLE, NC 27023 434-688-0609 rllomas@rlomaspe.com</p>		



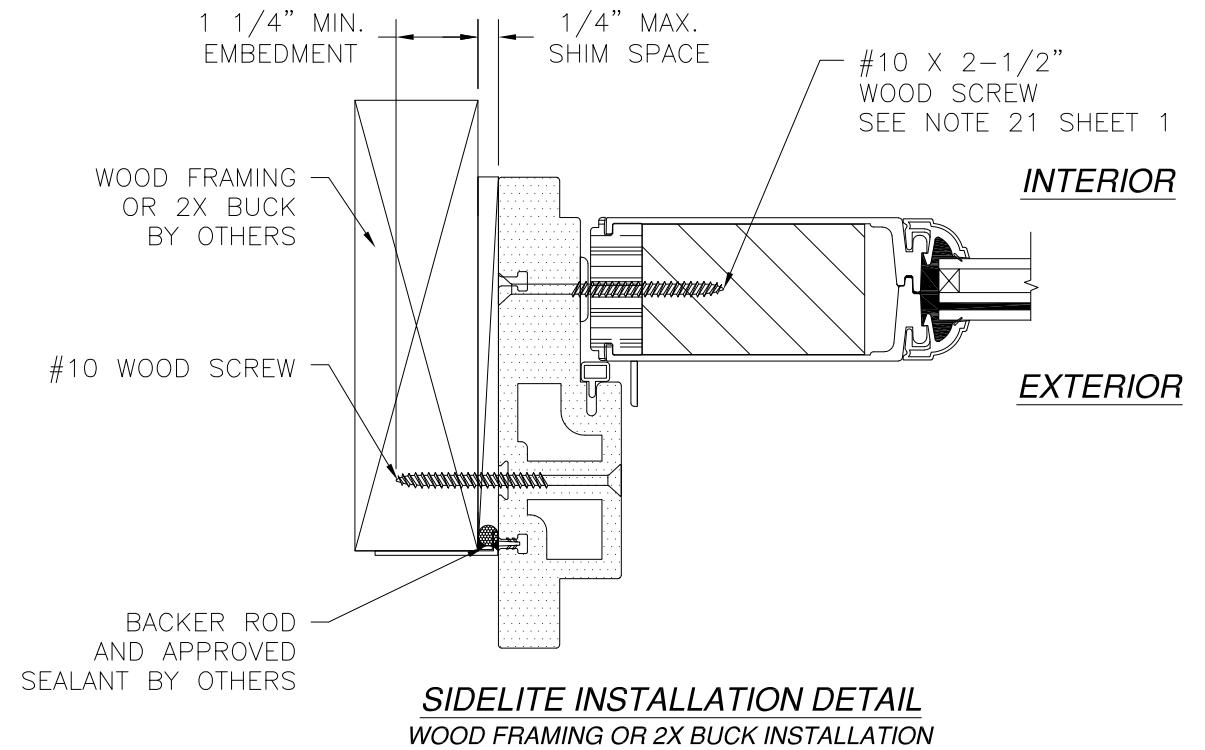
Luis R. Lomas P.E.  
TX No.: 101889  
Firm No: F-23130



REVISIONS			
REV	DESCRIPTION	DATE	APPROVED
B	REVISED PER NEW CODE	12/23/2021	R.L.



**SIDELITE INSTALLATION DETAIL**  
WOOD FRAMING OR 2X BUCK INSTALLATION



**SIDELITE INSTALLATION DETAIL**  
WOOD FRAMING OR 2X BUCK INSTALLATION

**NOTES:**

1. INTERIOR AND EXTERIOR FINISHES, BY OTHERS, NOT SHOWN FOR CLARITY.
2. PERIMETER AND JOINT SEALANT BY OTHERS TO BE DESIGNED IN ACCORDANCE WITH ASTM E2112

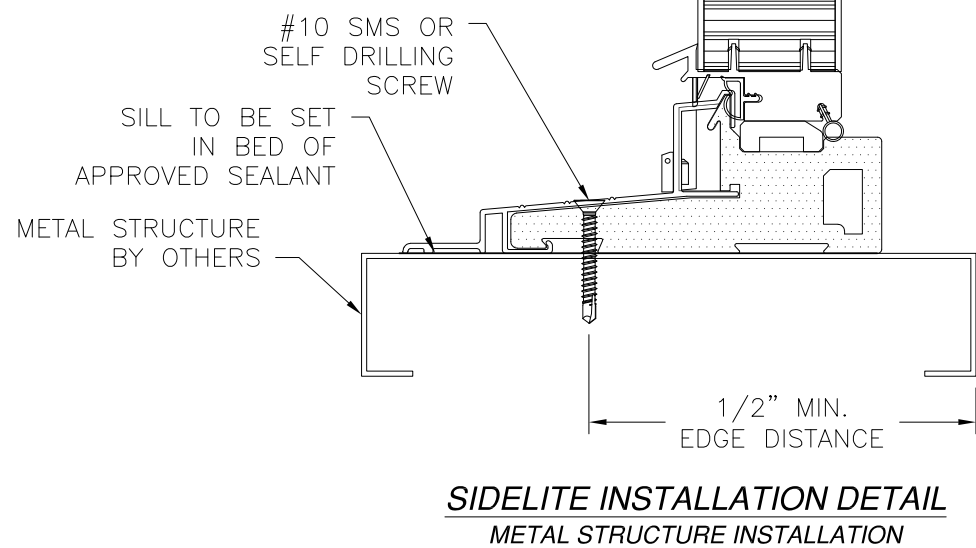
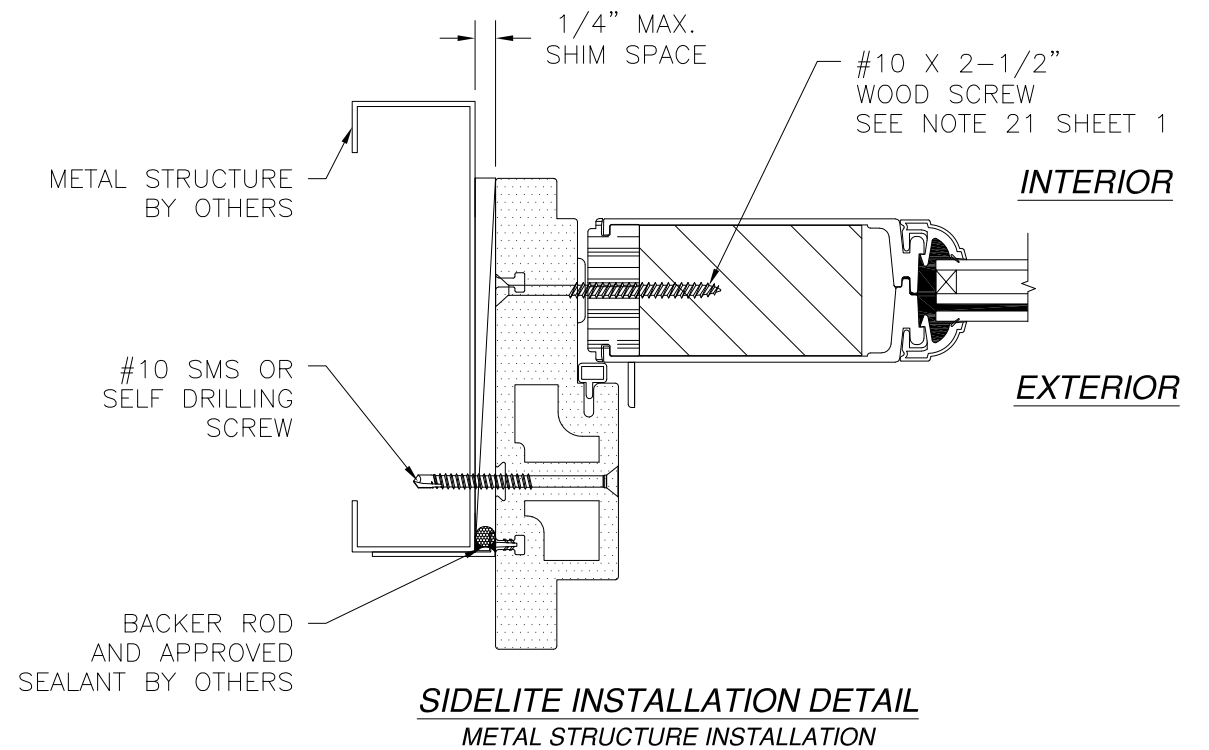
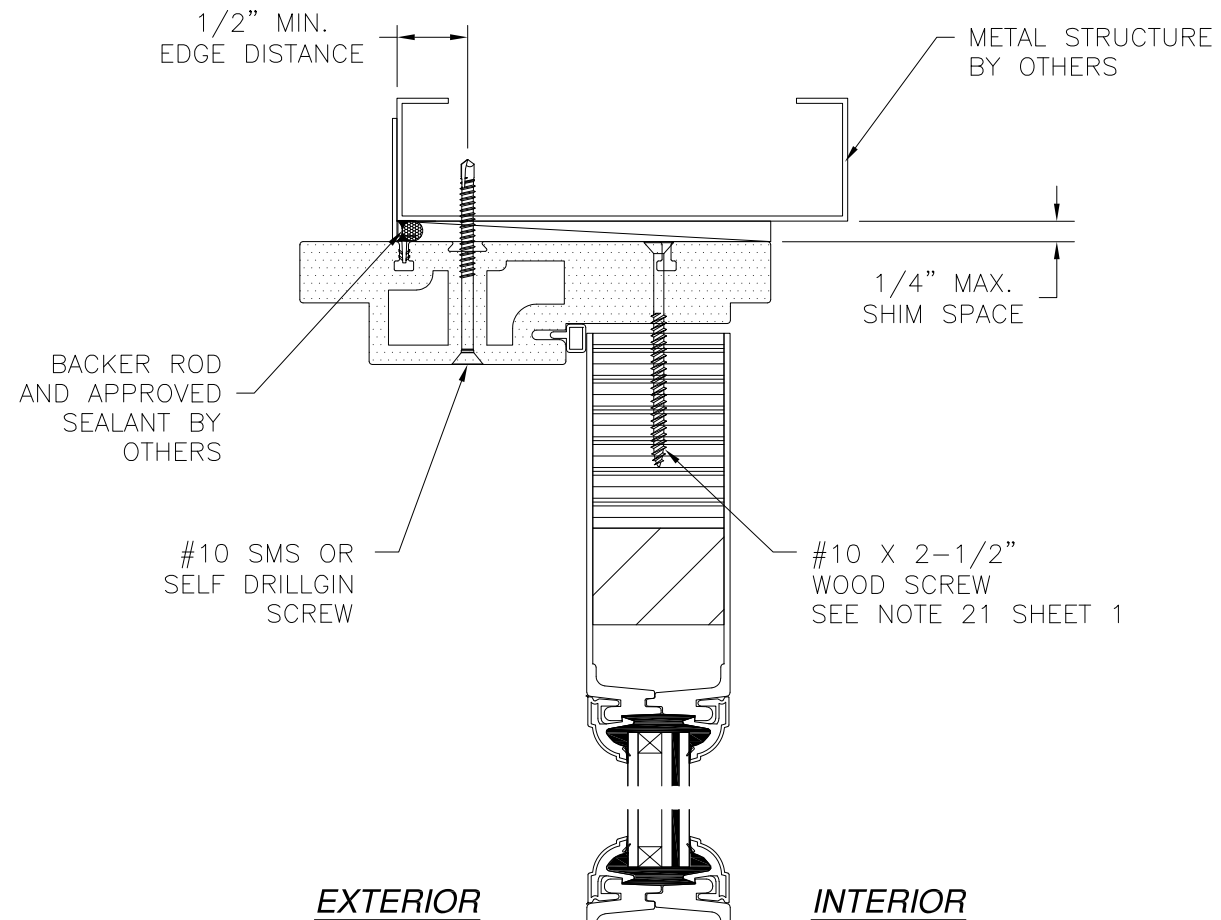
SIGNED: 12/23/2021

<p>NAN YA PLASTICS CORP. USA 8989 NORTH LOOP EAST HOUSTON, TX 77029</p>		
<p>SERIES SLPS 6'11" INSWING 3/4 LITE PATIO DOOR IMPACT SIDELITE INSTALLATION DETAILS</p>		
<p>DRAWN: V.L.</p>	<p>DWG NO. 08-02391</p>	<p>REV B</p>
<p>SCALE NTS</p>	<p>DATE 05/27/14</p>	<p>SHEET 9 OF 14</p>
<p>L. ROBERTO LOMAS P.E. 1432 WOODFORD RD LEWISVILLE, NC 27023 434-688-0609 rllomas@rlomaspe.com</p>		



Luis R. Lomas P.E.  
TX No.: 101889  
Firm No: F-23130

REVISIONS			
REV	DESCRIPTION	DATE	APPROVED
B	REVISED PER NEW CODE	12/23/2021	R.L.



- NOTES:**
1. INTERIOR AND EXTERIOR FINISHES, BY OTHERS, NOT SHOWN FOR CLARITY.
  2. PERIMETER AND JOINT SEALANT BY OTHERS TO BE DESIGNED IN ACCORDANCE WITH ASTM E2112

SIGNED: 12/23/2021

NAN YA PLASTICS CORP. USA  
 8989 NORTH LOOP EAST  
 HOUSTON, TX 77029

SERIES SLPS 6'11" INSWING  
 3/4 LITE PATIO DOOR IMPACT  
 SIDELITE INSTALLATION DETAILS

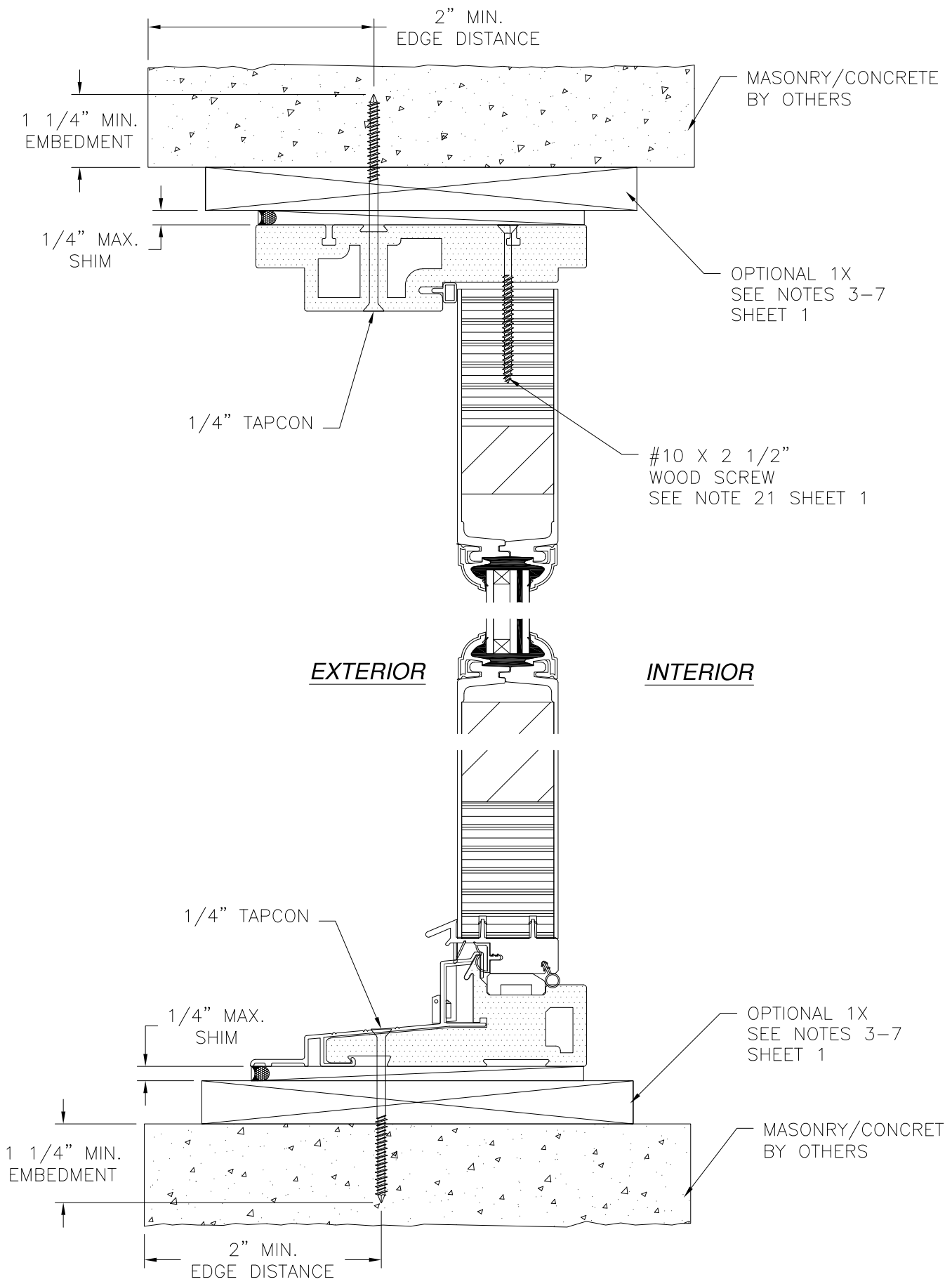
DRAWN: V.L.	DWG NO. 08-02391	REV B
SCALE NTS	DATE 05/27/14	SHEET 10 OF 14

L. ROBERTO LOMAS P.E.  
 1432 WOODFORD RD LEWISVILLE, NC 27023  
 434-688-0609 rllomas@rlomaspe.com

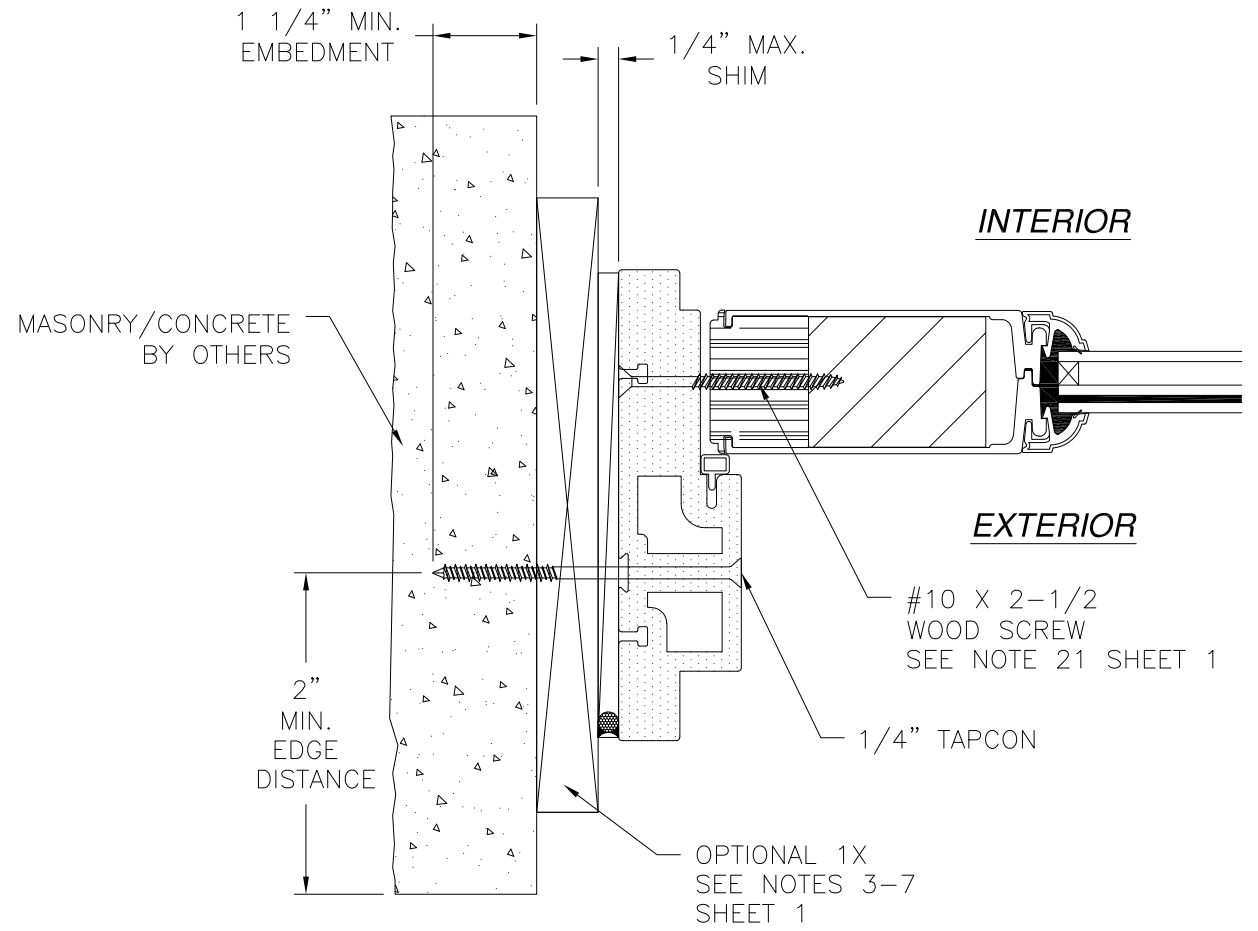


Luis R. Lomas P.E.  
 TX No.: 101889  
 Firm No: F-23130

REVISIONS			
REV	DESCRIPTION	DATE	APPROVED
B	REVISED PER NEW CODE	12/23/2021	R.L.



**SIDELITE INSTALLATION DETAIL**  
MASONRY/CONCRETE



**SIDELITE INSTALLATION DETAIL**  
MASONRY/CONCRETE

- NOTES:**
1. INTERIOR AND EXTERIOR FINISHES, BY OTHERS, NOT SHOWN FOR CLARITY.
  2. PERIMETER AND JOINT SEALANT BY OTHERS TO BE DESIGNED IN ACCORDANCE WITH ASTM E2112

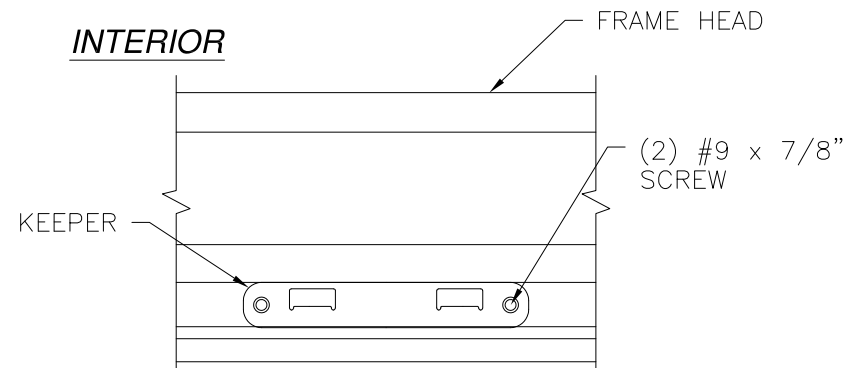
SIGNED: 12/23/2021

<p>NAN YA PLASTICS CORP. USA 8989 NORTH LOOP EAST HOUSTON, TX 77029</p>		
<p>SERIES SLPS 6'11" INSWING 3/4 LITE PATIO DOOR IMPACT SIDELITE INSTALLATION DETAILS</p>		
<p>DRAWN: V.L.</p>	<p>DWG NO. 08-02391</p>	<p>REV B</p>
<p>SCALE NTS</p>	<p>DATE 05/27/14</p>	<p>SHEET 11 OF 14</p>
<p>L. ROBERTO LOMAS P.E. 1432 WOODFORD RD LEWISVILLE, NC 27023 434-688-0609 rllomas@rlomaspe.com</p>		

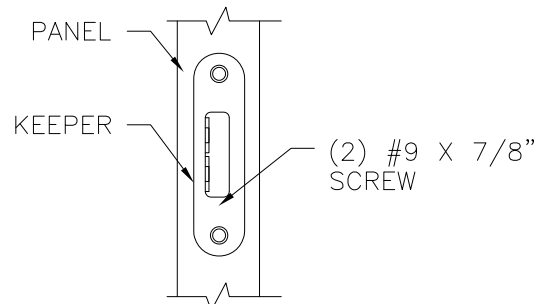


Luis R. Lomas P.E.  
TX No.: 101889  
Firm No: F-23130

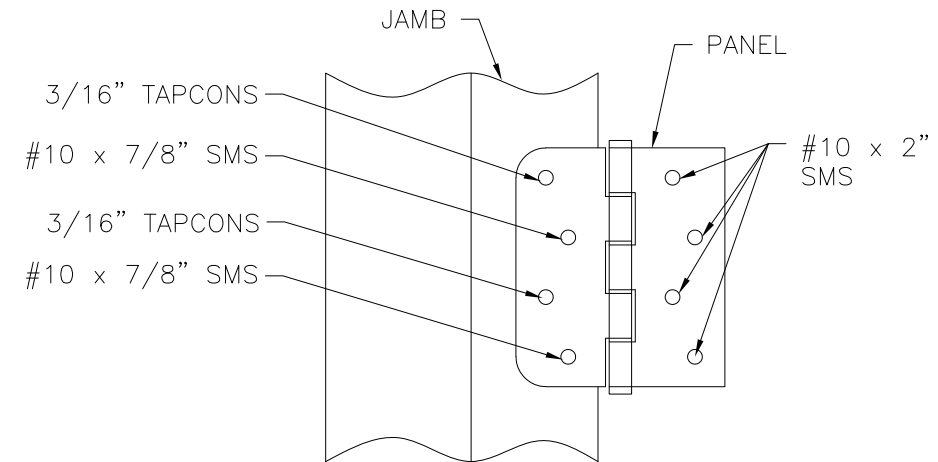
REVISIONS			
REV	DESCRIPTION	DATE	APPROVED
B	REVISED PER NEW CODE	12/23/2021	R.L.



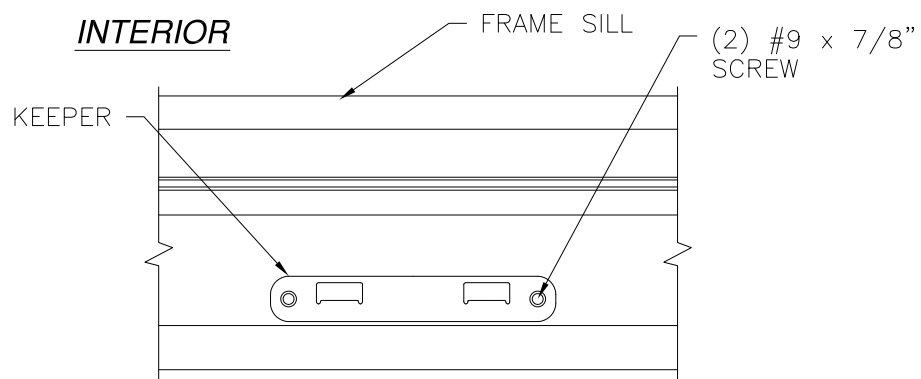
**HEAD BAR KEEPER DETAIL**



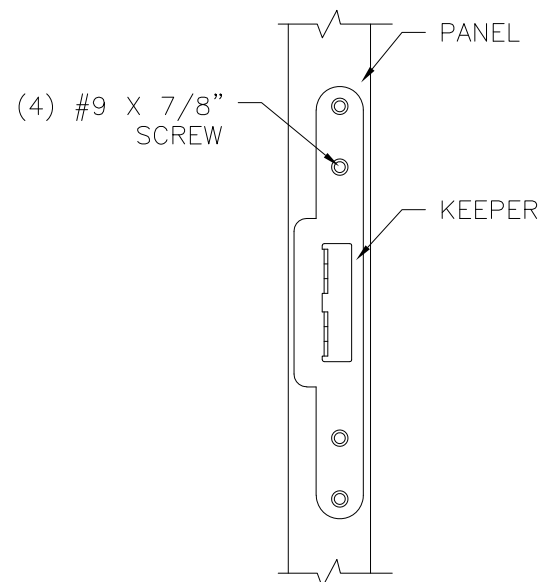
**HOOK KEEPER DETAIL**



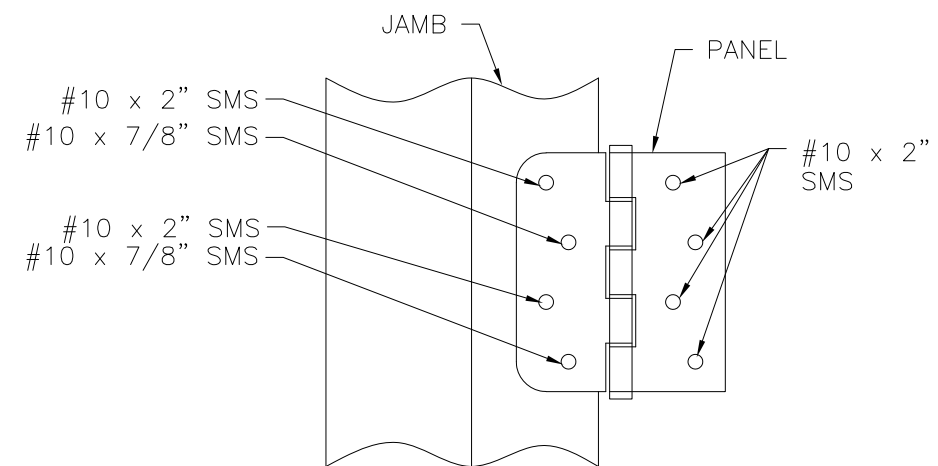
**HINGE INSTALLATION DETAIL  
MASONRY/CONCRETE INSTALLATION**



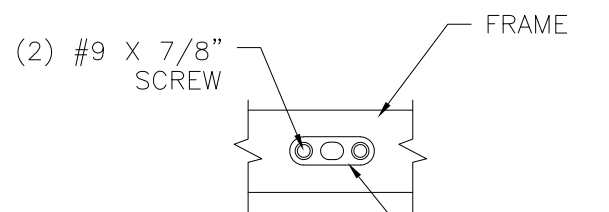
**SILL BAR KEEPER DETAIL**



**SLAB MULTI-POINT  
LOCK KEEPER DETAIL**



**HINGE INSTALLATION DETAIL  
WOOD FRAMING AND METAL STRUCTURE  
INSTALLATION**



**DRIVE BAR PLATE DETAIL**

SIGNED: 12/23/2021

NAN YA PLASTICS CORP. USA  
8989 NORTH LOOP EAST  
HOUSTON, TX 77029

SERIES SLPS 6'11" INSWING  
3/4 LITE PATIO DOOR IMPACT  
INSTALLATION DETAILS

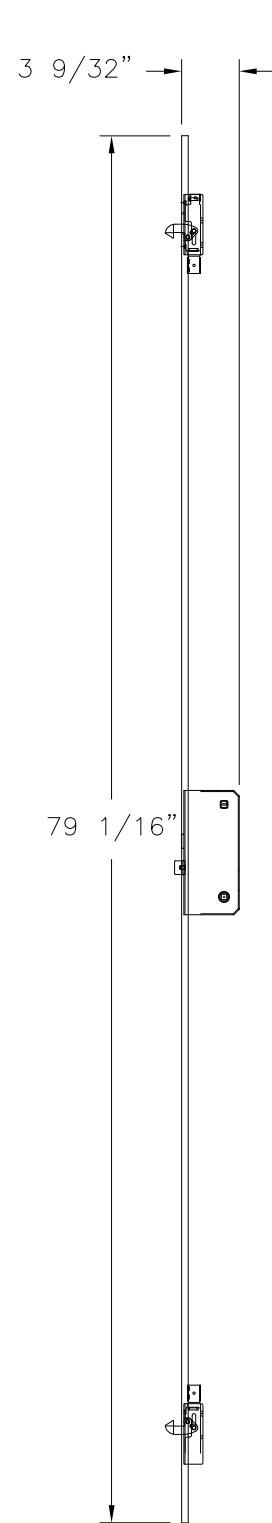
DRAWN: V.L.	DWG NO. 08-02391	REV B
SCALE NTS	DATE 05/27/14	SHEET 12 OF 14

L. ROBERTO LOMAS P.E.  
1432 WOODFORD RD LEWISVILLE, NC 27023  
434-688-0609 rllomas@lrlomaspe.com



Luis R. Lomas P.E.  
TX No.: 101889  
Firm No: F-23130

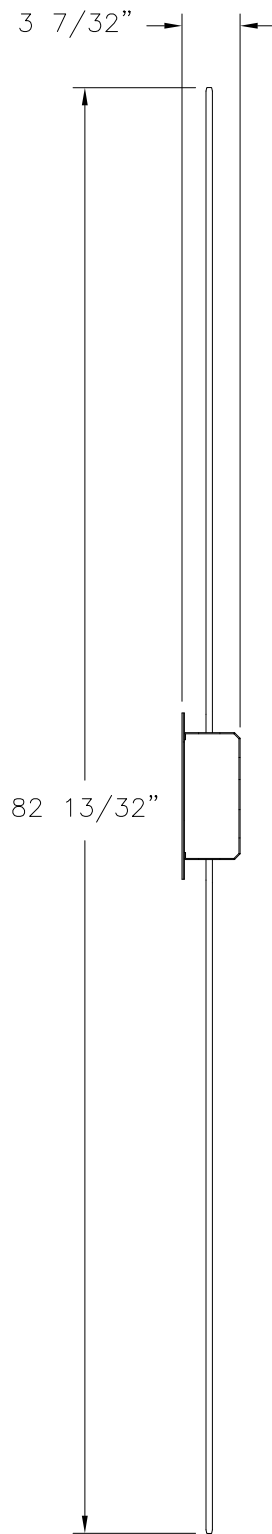
REVISIONS			
REV	DESCRIPTION	DATE	APPROVED
B	REVISED PER NEW CODE	12/23/2021	R.L.



**MULTI-POINT LOCKING SYSTEM**

STAINLESS STEEL

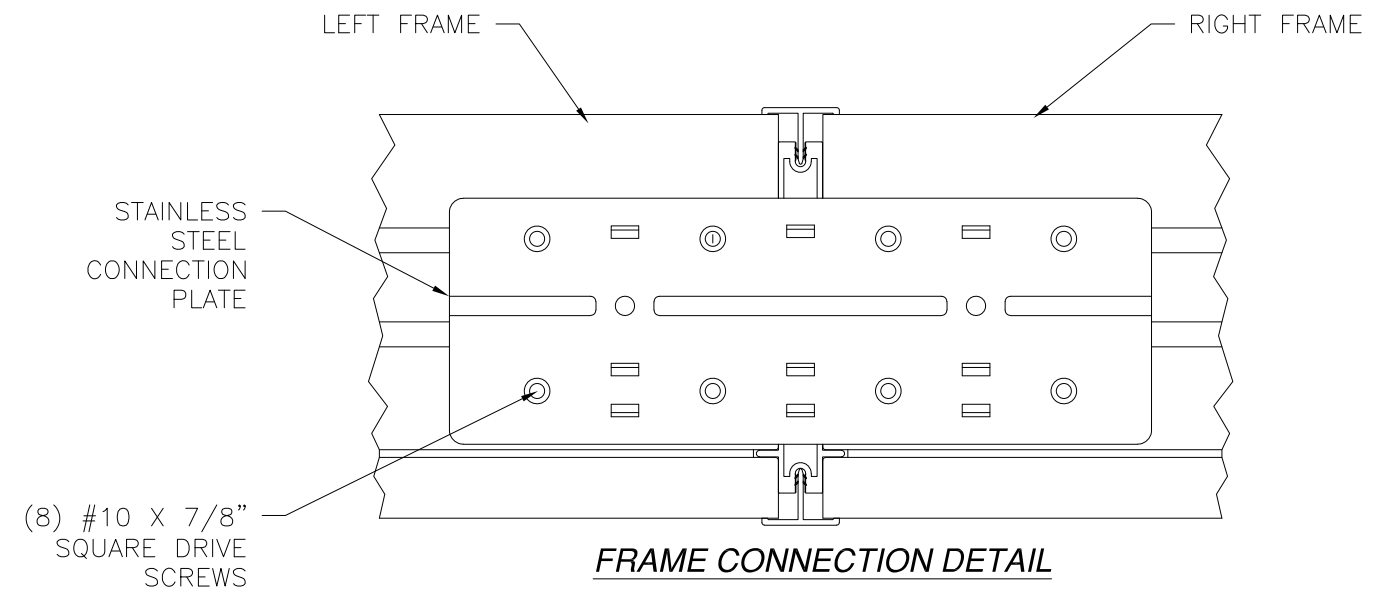
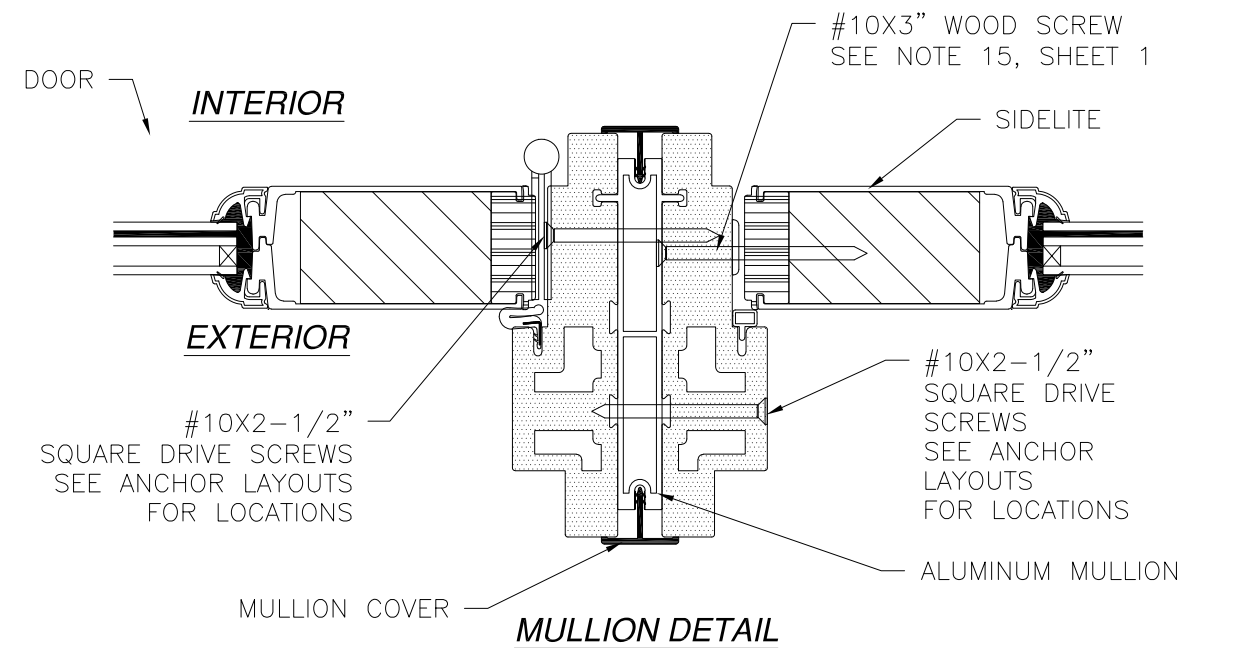
PART NUMBER: 1, BY JAM YUAN ENTERPRISES CO. LTD)



**TOP/BOTTOM DRIVE BAR SYSTEM**

STAINLESS STEEL

PART NUMBER: 3, BY JAM YUAN ENTERPRISES CO. LTD



SIGNED: 12/23/2021

NAN YA PLASTICS CORP. USA

8989 NORTH LOOP EAST  
HOUSTON, TX 77029

SERIES SLPS 6'11" INSWING  
3/4 LITE PATIO DOOR IMPACT  
INSTALLATION DETAILS AND COMPONENTS

DRAWN: V.L.	DWG NO. 08-02391	REV B
----------------	---------------------	----------

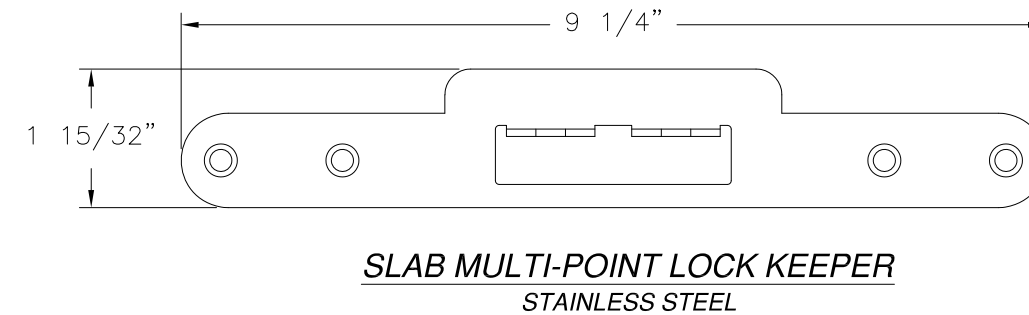
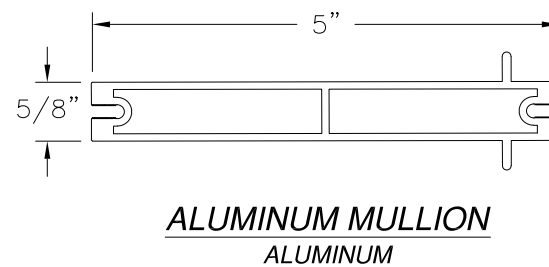
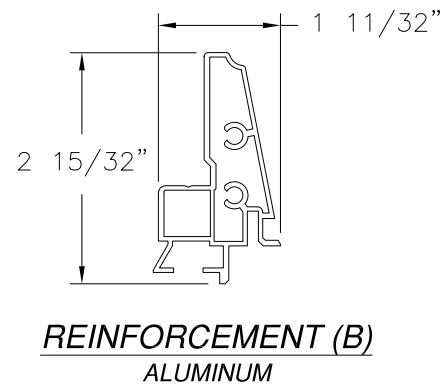
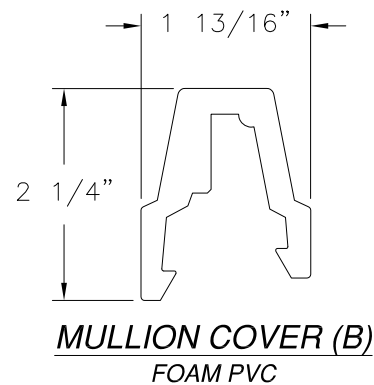
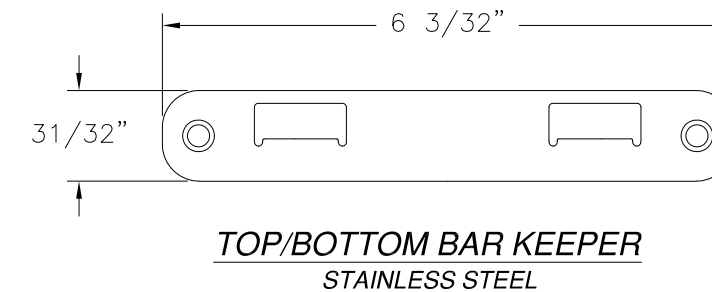
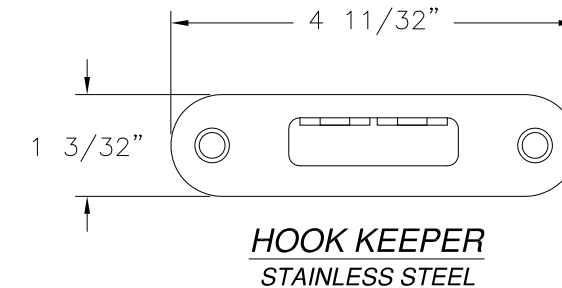
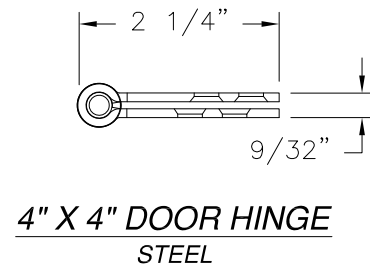
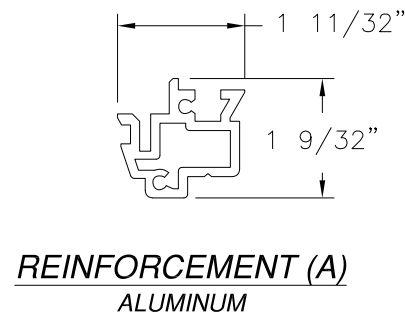
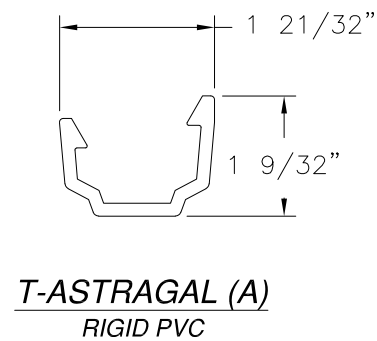
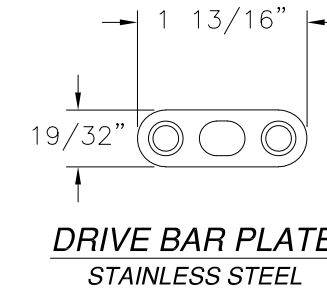
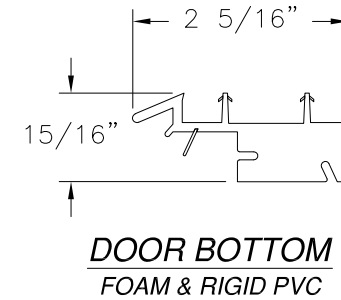
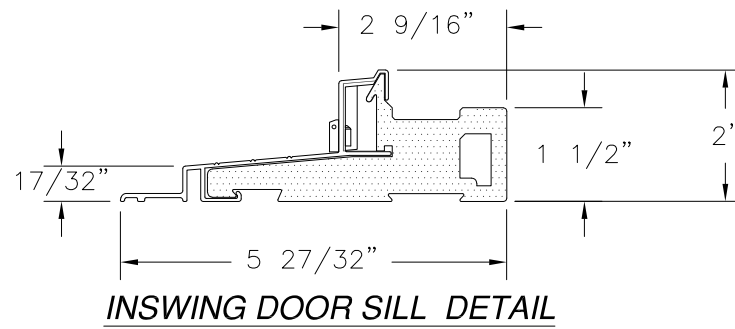
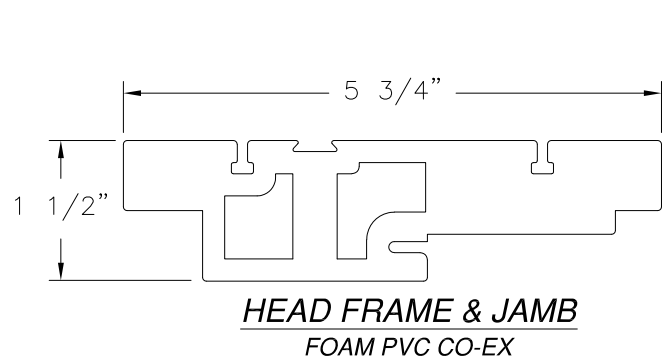
SCALE NTS	DATE 05/27/14	SHEET 13 OF 14
-----------	---------------	----------------

L. ROBERTO LOMAS P.E.  
1432 WOODFORD RD LEWISVILLE, NC 27023  
434-688-0609 rllomas@rlomaspe.com

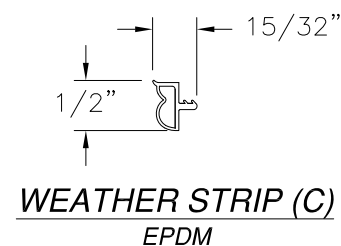
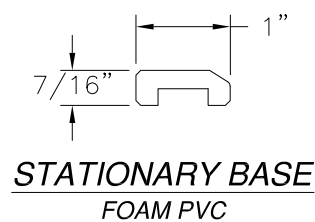
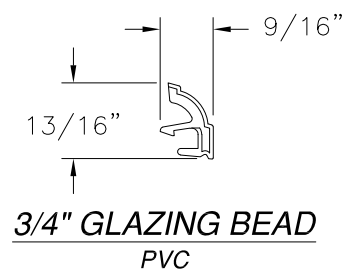


Luis R. Lomas P.E.  
TX No.: 101889  
Firm No: F-23130

REVISIONS			
REV	DESCRIPTION	DATE	APPROVED
B	REVISED PER NEW CODE	12/23/2021	R.L.



SIGNED: 12/23/2021



NAN YA PLASTICS CORP. USA  
8989 NORTH LOOP EAST  
HOUSTON, TX 77029

SERIES SLPS 6'11" INSWING  
3/4 LITE PATIO DOOR IMPACT  
COMPONENTS

DRAWN: V.L.	DWG NO. 08-02391	REV B
SCALE NTS	DATE 05/27/14	SHEET 14 OF 14

L. ROBERTO LOMAS P.E.  
1432 WOODFORD RD LEWISVILLE, NC 27023  
434-688-0609 rllomas@rlomaspe.com



Luis R. Lomas P.E.  
TX No.: 101889  
Firm No: F-23130