

REVISIONS			
REV	DESCRIPTION	DATE	APPROVED
A	REVISED PER NEW CODE	12/20/2021	R.L.

NOTES:

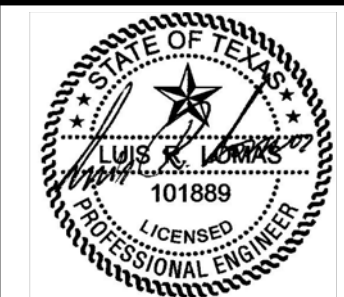
1. THE PRODUCT SHOWN HEREIN IS DESIGNED AND MANUFACTURED TO COMPLY WITH REQUIREMENTS OF THE 2018 IBC AND 2018 IRC.
2. WOOD FRAMING AND MASONRY OPENING TO BE DESIGNED AND ANCHORED TO PROPERLY TRANSFER ALL LOADS TO STRUCTURE. FRAMING AND MASONRY OPENING IS THE RESPONSIBILITY OF THE ARCHITECT OR ENGINEER OF RECORD.
3. 1X BUCK OVER MASONRY/CONCRETE IS OPTIONAL.
4. WHERE SHIM OR BUCK THICKNESS IS LESS THAN 1-1/2" UNITS MUST BE ANCHORED THROUGH THE FRAME IN ACCORDANCE WITH MANUFACTURER'S PUBLISHED INSTALLATION INSTRUCTIONS. ANCHORS SHALL BE SECURELY FASTENED DIRECTLY INTO MASONRY, CONCRETE OR OTHER STRUCTURAL SUBSTRATE MATERIAL.
5. WHERE WOOD BUCK THICKNESS IS 1-1/2" OR GREATER, BUCK SHALL BE SECURELY FASTENED TO MASONRY, CONCRETE OR OTHER STRUCTURAL SUBSTRATE. UNITS MAY BE ANCHORED THROUGH FRAME TO SECURED WOOD BUCK IN ACCORDANCE WITH MANUFACTURER'S PUBLISHED INSTALLATION INSTRUCTIONS.
6. WHERE 1X BUCK IS NOT USED DISSIMILAR MATERIALS MUST BE SEPARATED WITH APPROVED COATING OR MEMBRANE. SELECTION OF COATING OR MEMBRANE IS THE RESPONSIBILITY OF THE ARCHITECT OR ENGINEER OF RECORD.
7. BUCKS SHALL EXTEND BEYOND UNIT FRAME INTERIOR FACE SO THAT FULL FRAME SUPPORT IS PROVIDED.
8. SHIM AS REQUIRED AT EACH ANCHOR LOCATION WITH LOAD BEARING SHIM. SHIM WHERE SPACE OF 1/16" OR GREATER OCCURS. MAXIMUM ALLOWABLE SHIM STACK TO BE 1/4".
9. SHIMS SHALL BE LOCATED, APPLIED AND MADE FROM MATERIALS AND THICKNESS CAPABLE OF SUSTAINING APPLICABLE LOADS.
10. WIND LOAD DURATION FACTOR Cd=1.6 WAS USED FOR WOOD ANCHOR CALCULATIONS.
11. FRAME MATERIAL: EXTRUDED RIGID PVC.
12. UNITS MUST BE GLAZED PER ASTM E1300, WITH SAFETY GLAZING.
13. APPROVED IMPACT PROTECTIVE SYSTEM IS REQUIRED FOR THIS PRODUCT IN WIND BORNE DEBRIS REGIONS.
14. FOR ANCHORING THROUGH FRAME INTO WOOD FRAMING OR 2X BUCK USE #10 WOOD SCREWS WITH SUFFICIENT LENGTH TO ACHIEVE A 1 1/4" MINIMUM EMBEDMENT INTO SUBSTRATE. LOCATE ANCHORS AS SHOWN IN ELEVATIONS AND INSTALLATION DETAILS.

15. FOR ANCHORING THROUGH FRAME INTO MASONRY/CONCRETE USE 3/16" TAPCONS WITH SUFFICIENT LENGTH TO ACHIEVE A 1 3/4" MINIMUM EMBEDMENT INTO SUBSTRATE WITH 2" MINIMUM EDGE DISTANCE. LOCATE ANCHORS AS SHOWN IN ELEVATIONS AND INSTALLATION DETAILS.
16. FOR ANCHORING THROUGH FRAME INTO METAL STRUCTURE USE #10 SMS OR SELF DRILLING SCREWS WITH SUFFICIENT LENGTH TO ACHIEVE 3 THREADS MINIMUM BEYOND STRUCTURE INTERIOR WALL. LOCATE ANCHORS AS SHOWN IN ELEVATIONS AND INSTALLATION DETAILS.
17. ALL FASTENERS TO BE CORROSION RESISTANT.
18. INSTALLATION ANCHORS SHALL BE INSTALLED IN ACCORDANCE WITH ANCHOR MANUFACTURER'S INSTALLATION INSTRUCTIONS AND ANCHORS SHALL NOT BE USED IN SUBSTRATES WITH STRENGTHS LESS THAN THE MINIMUM STRENGTH SPECIFIED BELOW:
  - A. WOOD: MINIMUM SPECIFIC GRAVITY OF G=0.42
  - B. CONCRETE: MINIMUM COMPRESSIVE STRENGTH OF 2,000 PSI.
  - C. MASONRY: GROUT FILLED BLOCK PER ASTM C90 WITH Fm=2,000PSI MINIMUM.
  - D. METAL STRUCTURE: STEEL 18GA (.048") FY=33KSI/FU=52KSI OR ALUMINUM 6063-T5 FU=30KSI 1/8" THICK MINIMUM
19. APPROVED CONFIGURATIONS: OX, XO.

SIGNED: 12/20/2021

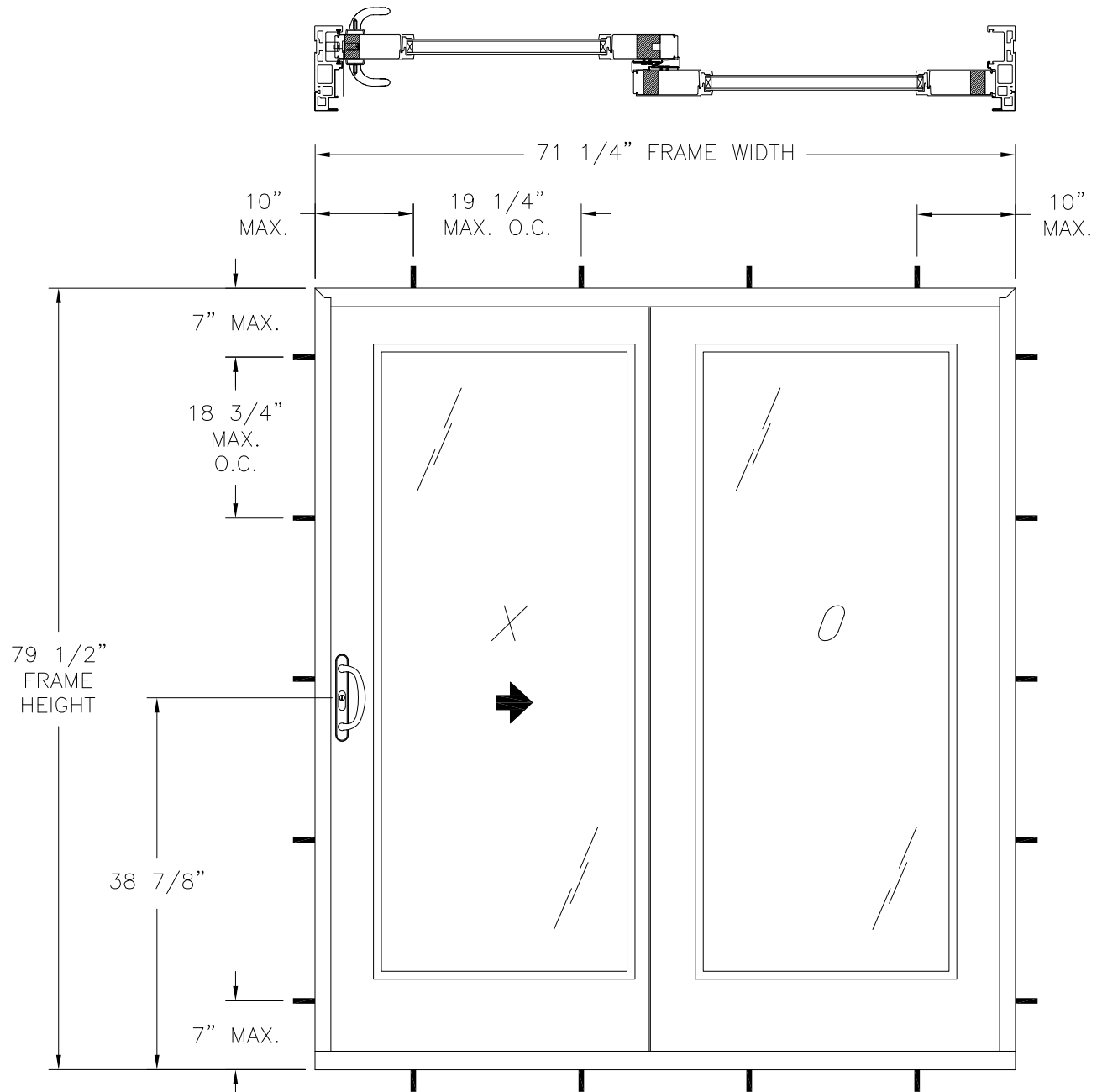
TABLE OF CONTENTS	
SHEET NO.	DESCRIPTION
1	NOTES
2	ELEVATION
3 - 5	INSTALLATION DETAILS
6	COMPONENTS

NAN YA PLASTICS CORP. USA 8989 NORTH LOOP EAST HOUSTON, TX 77029		
SERIES "GLIDING PATIO DOOR" FIBERGLASS SLIDING GLASS DOOR NON-IMPACT NOTES		
DRAWN: A.R.	DWG NO. 08-03317	REV A
SCALE NTS	DATE 09/27/18	SHEET 1 OF 6
L. ROBERTO LOMAS P.E. 1432 WOODFORD RD LEWISVILLE, NC 27023 434-688-0609 rllomas@rlomaspe.com		



Luis R. Lomas P.E.  
 TX No.: 101889  
 Firm No: F-23130

REVISIONS			
REV	DESCRIPTION	DATE	APPROVED
A	REVISED PER NEW CODE	12/20/2021	R.L.



- NOTES:
- PANEL SIZE: 35 3/4" X 76 9/16"
  - D.L.O.: 25" X 63"

**SERIES "GLIDING PATIO DOOR" FIBERGLASS SGD**  
EXTERIOR VIEW

DESIGN PRESSURE RATING	IMPACT RATING
±50PSF	NONE

(2) PANELS SHOWN UNLIMITED CONFIGURATIONS UP TO 2 PANELS IS APPLICABLE AS LONG AS INDIVIDUAL PANEL AREA DOES NOT EXCEED 19.0 FT<sup>2</sup>

**HARDWARE SCHEDULE**

A.	HANDLE SETS (DIE CAST) AT ACTIVE PANEL STILE
B.	SINGLE LOCKING SYSTEM WITH KEEPER AT ACTIVE PANEL STILE
C.	STAINLESS STEEL ADJUSTABLE ROLLER AT EACH END OF ACTIVE PANEL
D.	WOOD REINFORCEMENT (A) ON BOTH FIXED AND ACTIVE PANEL TOP RAILS
E.	WOOD REINFORCEMENT (B) AT FIXED PANEL STILE
F.	WOOD REINFORCEMENT (C) AT FIXED AND ACTIVE PANEL STILES

SIGNED: 12/20/2021

NAN YA PLASTICS CORP. USA  
8989 NORTH LOOP EAST  
HOUSTON, TX 77029

SERIES "GLIDING PATIO DOOR" FIBERGLASS  
SLIDING GLASS DOOR NON-IMPACT  
ELEVATION

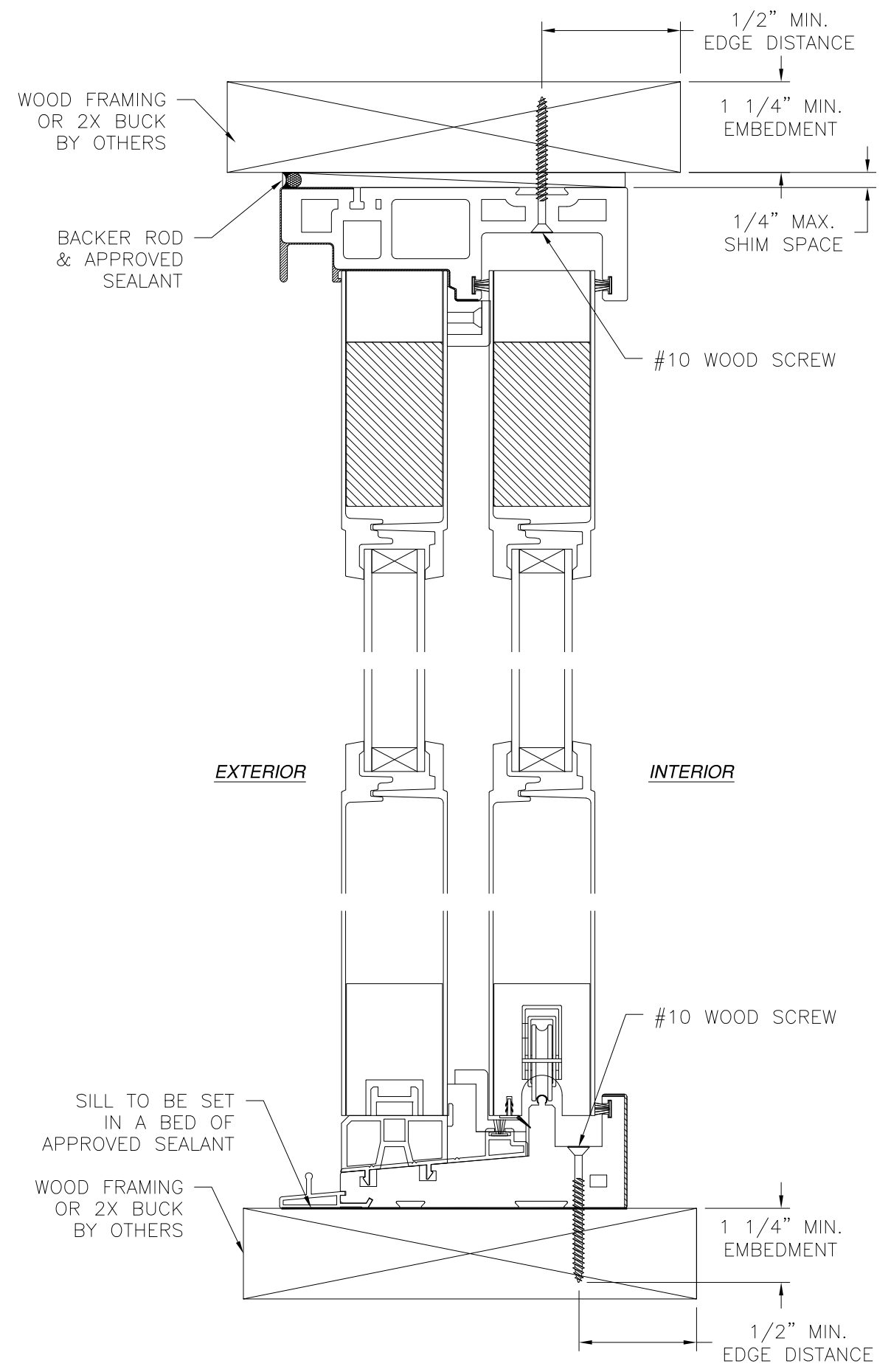
DRAWN: A.R.	DWG NO. 08-03317	REV A
SCALE NTS	DATE 09/27/18	SHEET 2 OF 6

L. ROBERTO LOMAS P.E.  
1432 WOODFORD RD LEWISVILLE, NC 27023  
434-688-0609 rllomas@lrlomaspe.com

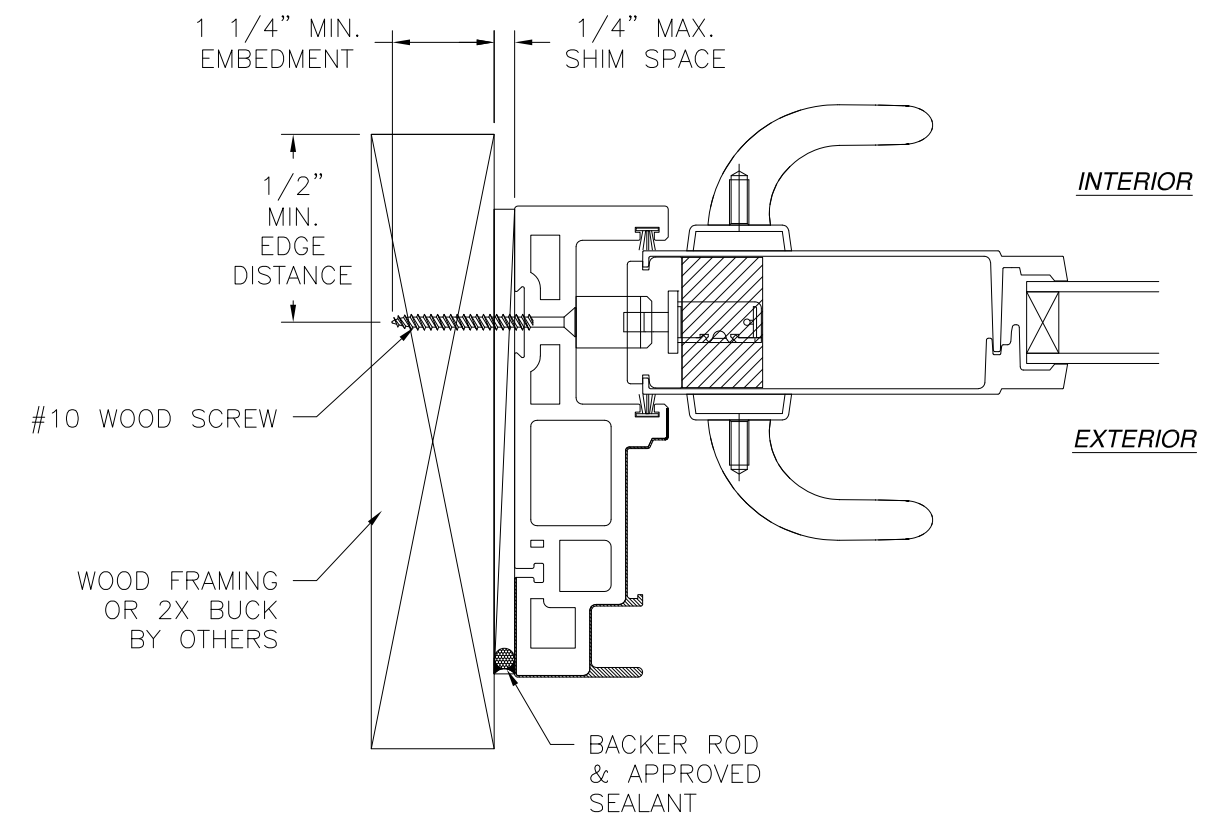


Luis R. Lomas P.E.  
TX No.: 101889  
Firm No: F-23130

REVISIONS			
REV	DESCRIPTION	DATE	APPROVED
A	REVISED PER NEW CODE	12/20/2021	R.L.



**VERTICAL CROSS SECTION**  
WOOD FRAMING OR 2X BUCK INSTALLATION



**JAMB INSTALLATION DETAIL**  
WOOD FRAMING OR 2X BUCK INSTALLATION

- NOTES:**
1. INTERIOR AND EXTERIOR FINISHES, BY OTHERS, NOT SHOWN FOR CLARITY.
  2. PERIMETER AND JOINT SEALANT BY OTHERS TO BE DESIGNED IN ACCORDANCE WITH ASTM E2112

SIGNED: 12/20/2021

**NAN YA PLASTICS CORP. USA**  
8989 NORTH LOOP EAST  
HOUSTON, TX 77029

---

SERIES "GLIDING PATIO DOOR" FIBERGLASS  
SLIDING GLASS DOOR NON-IMPACT  
INSTALLATION DETAILS

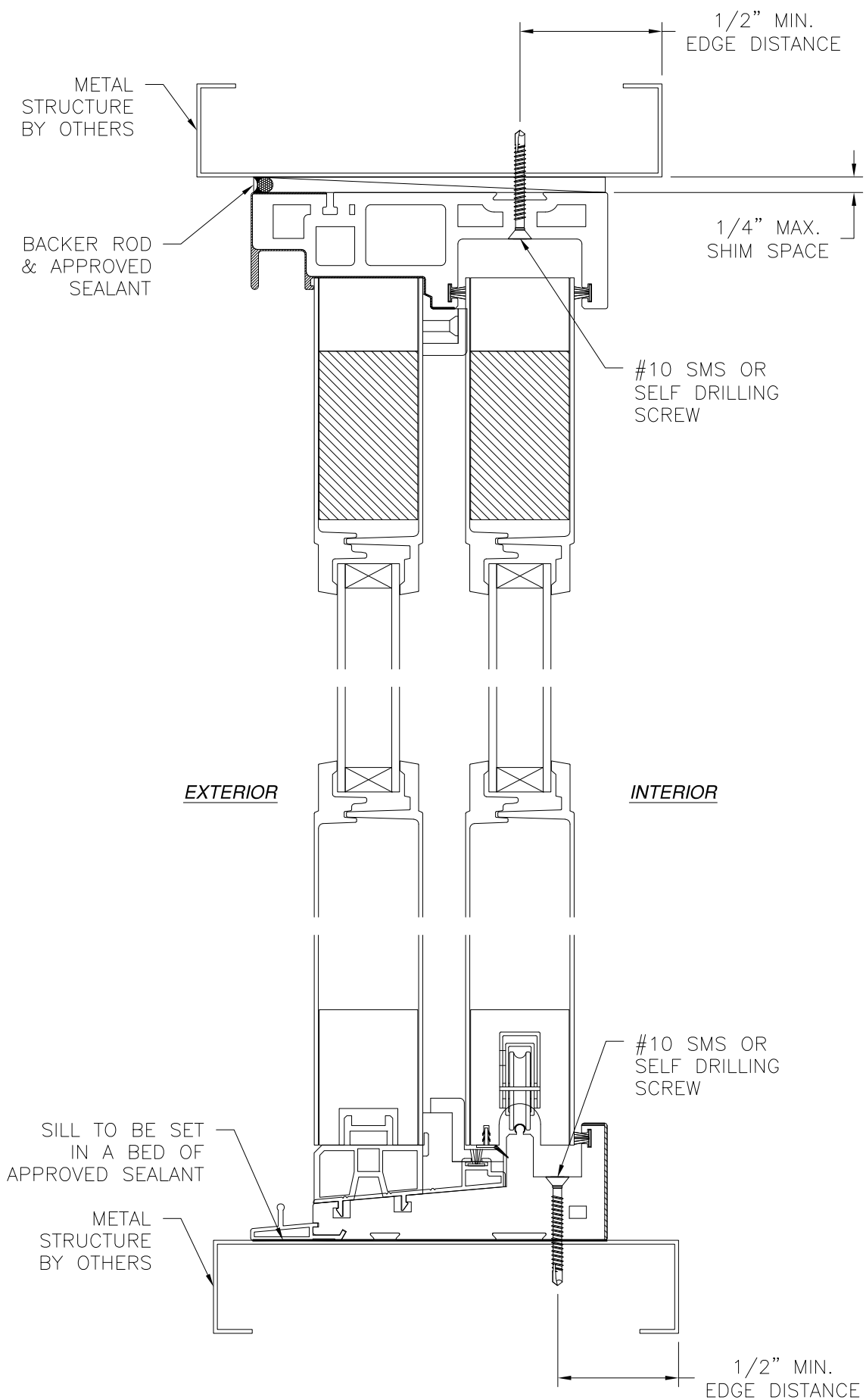
DRAWN: A.R.	DWG NO. 08-03317	REV A
SCALE NTS	DATE 09/27/18	SHEET 3 OF 6

L. ROBERTO LOMAS P.E.  
1432 WOODFORD RD LEWISVILLE, NC 27023  
434-688-0609 rllomas@rlomaspe.com

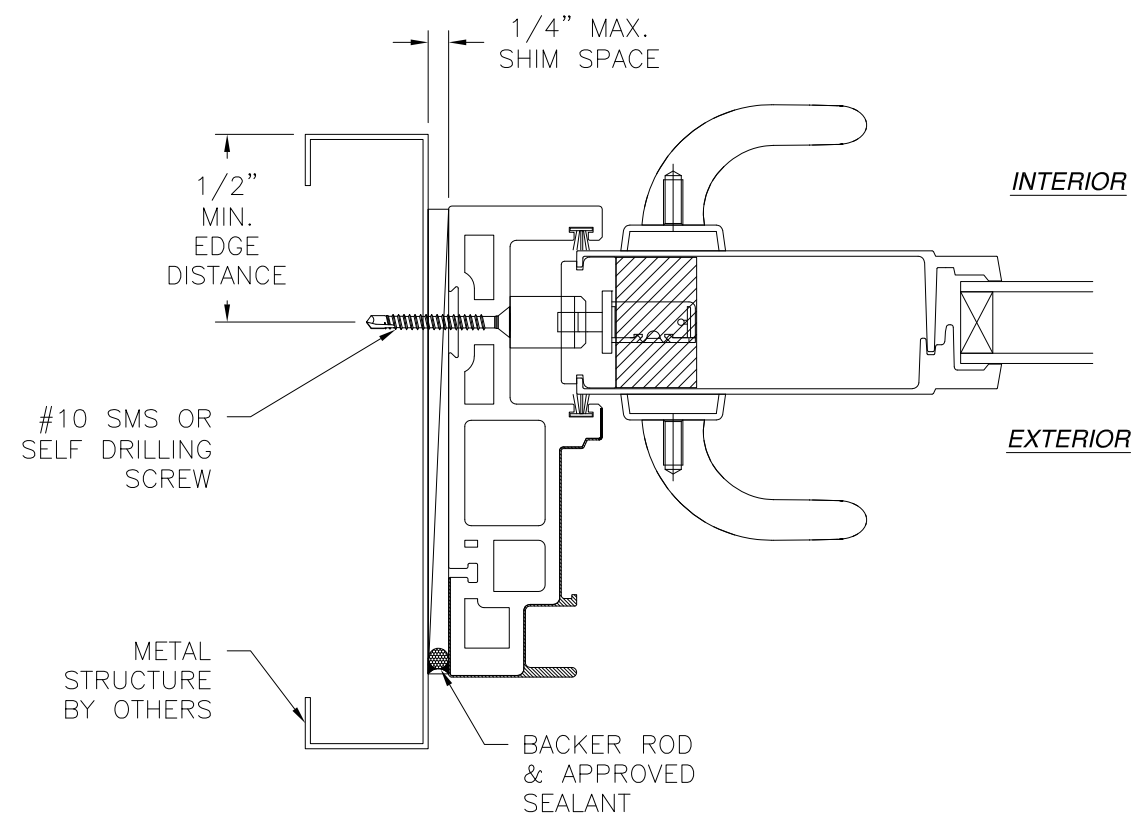


Luis R. Lomas P.E.  
TX No.: 101889  
Firm No: F-23130

REVISIONS			
REV	DESCRIPTION	DATE	APPROVED
A	REVISED PER NEW CODE	12/20/2021	R.L.



**VERTICAL CROSS SECTION**  
METAL STRUCTURE INSTALLATION



**JAMB INSTALLATION DETAIL**  
METAL STRUCTURE INSTALLATION

- NOTES:**
1. INTERIOR AND EXTERIOR FINISHES, BY OTHERS, NOT SHOWN FOR CLARITY.
  2. PERIMETER AND JOINT SEALANT BY OTHERS TO BE DESIGNED IN ACCORDANCE WITH ASTM E2112

SIGNED: 12/20/2021

NAN YA PLASTICS CORP. USA  
8989 NORTH LOOP EAST  
HOUSTON, TX 77029

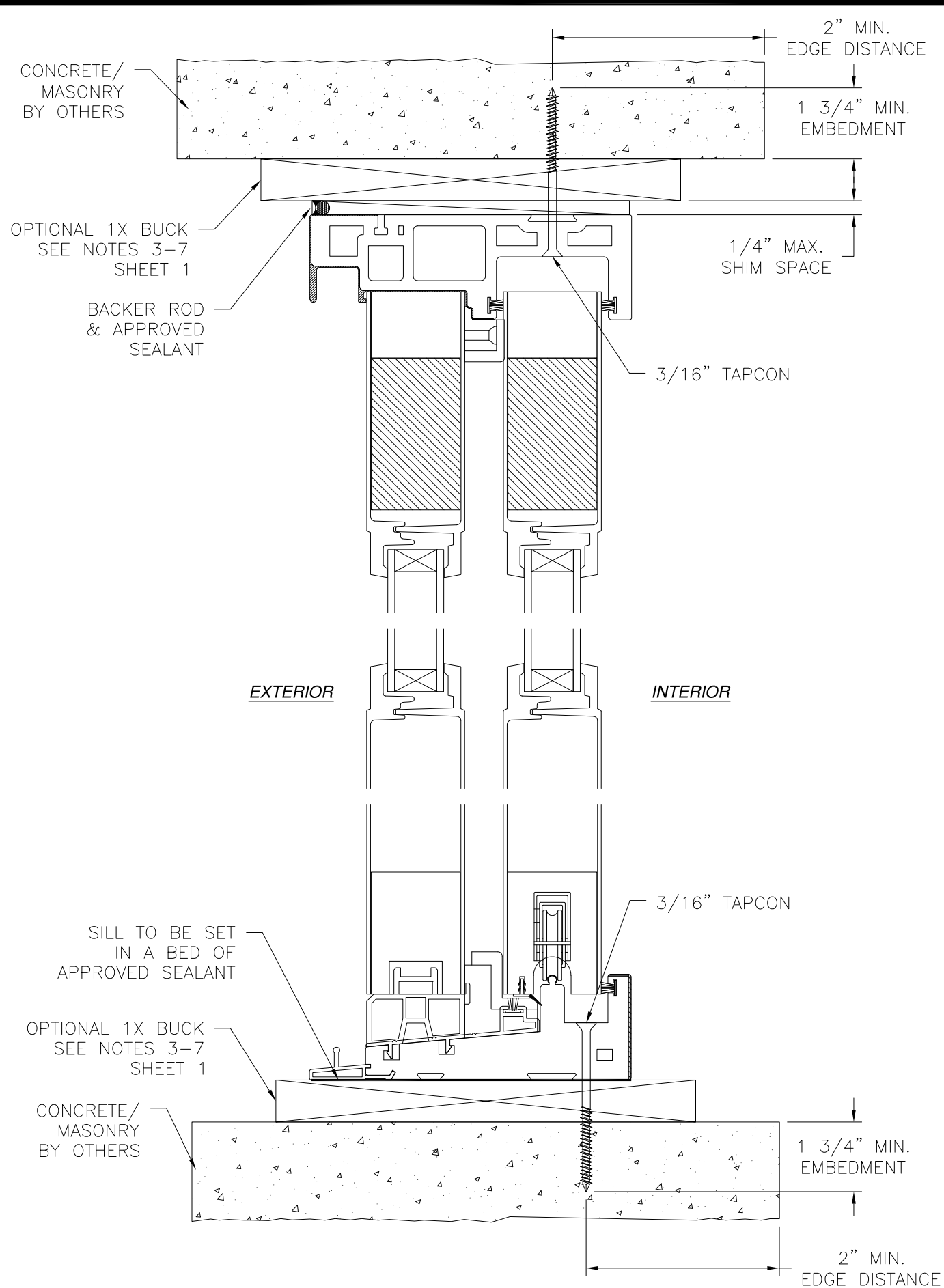
SERIES "GLIDING PATIO DOOR" FIBERGLASS  
SLIDING GLASS DOOR NON-IMPACT  
INSTALLATION DETAILS

DRAWN: A.R.	DWG NO. 08-03317	REV A
SCALE NTS	DATE 09/27/18	SHEET 4 OF 6

L. ROBERTO LOMAS P.E.  
1432 WOODFORD RD LEWISVILLE, NC 27023  
434-688-0609 rllomas@rlomaspe.com

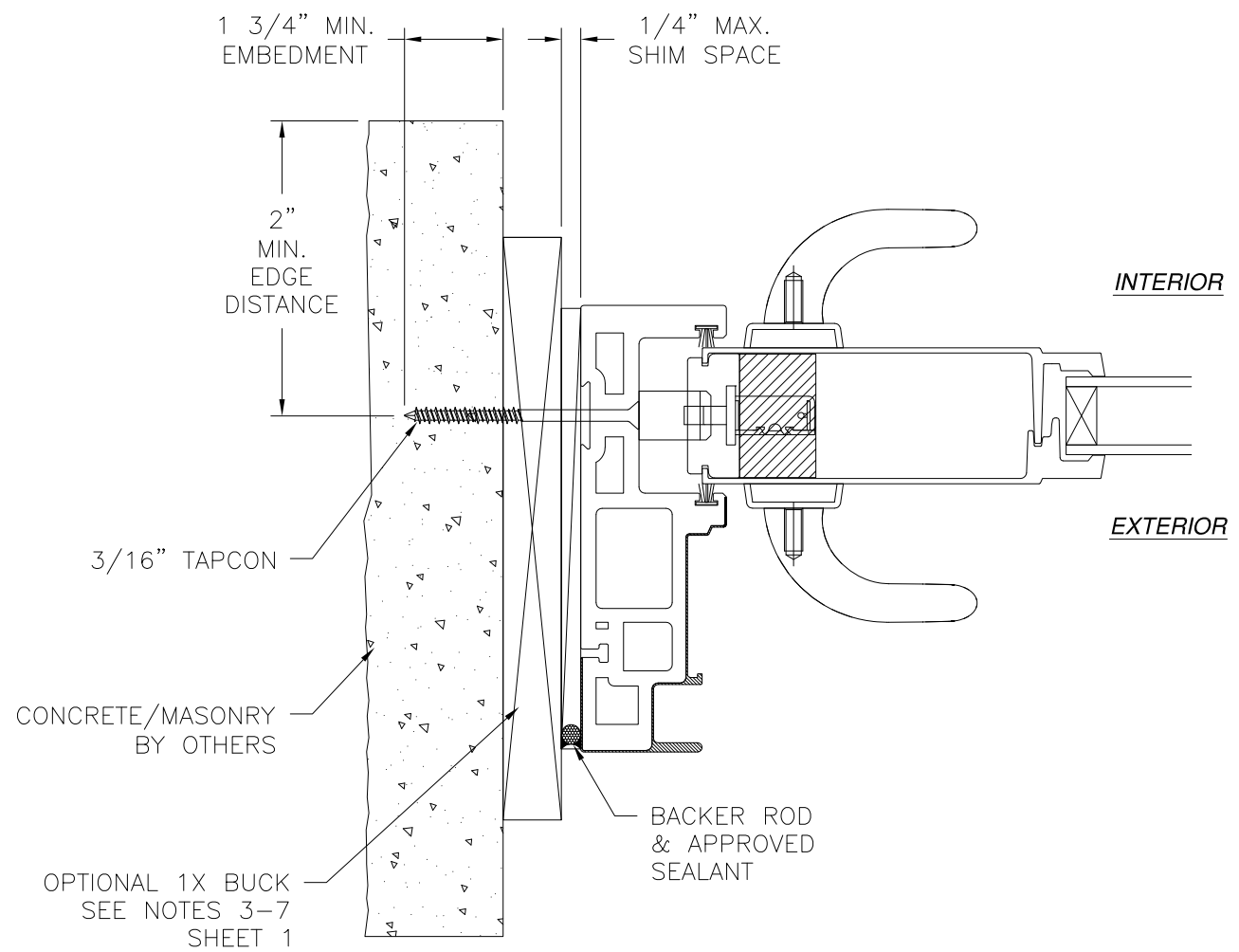


Luis R. Lomas P.E.  
TX No.: 101889  
Firm No: F-23130



**VERTICAL CROSS SECTION**  
CONCRETE/MASONRY INSTALLATION

REVISIONS			
REV	DESCRIPTION	DATE	APPROVED
A	REVISED PER NEW CODE	12/20/2021	R.L.



**JAMB INSTALLATION DETAIL**  
CONCRETE/MASONRY INSTALLATION

- NOTES:**
1. INTERIOR AND EXTERIOR FINISHES, BY OTHERS, NOT SHOWN FOR CLARITY.
  2. PERIMETER AND JOINT SEALANT BY OTHERS TO BE DESIGNED IN ACCORDANCE WITH ASTM E2112

SIGNED: 12/20/2021

**NAN YA PLASTICS CORP. USA**  
8989 NORTH LOOP EAST  
HOUSTON, TX 77029

---

SERIES "GLIDING PATIO DOOR" FIBERGLASS  
SLIDING GLASS DOOR NON-IMPACT  
INSTALLATION DETAILS

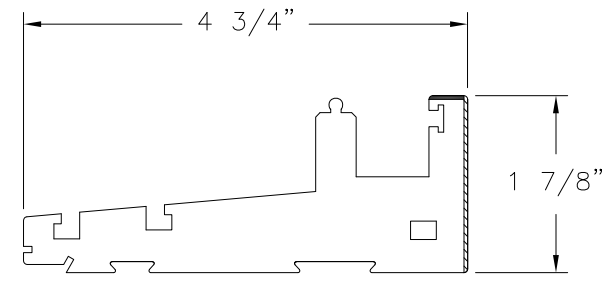
DRAWN: A.R.	DWG NO. 08-03317	REV A
SCALE NTS	DATE 09/27/18	SHEET 5 OF 6

L. ROBERTO LOMAS P.E.  
1432 WOODFORD RD LEWISVILLE, NC 27023  
434-688-0609 rllomas@lrlomaspe.com

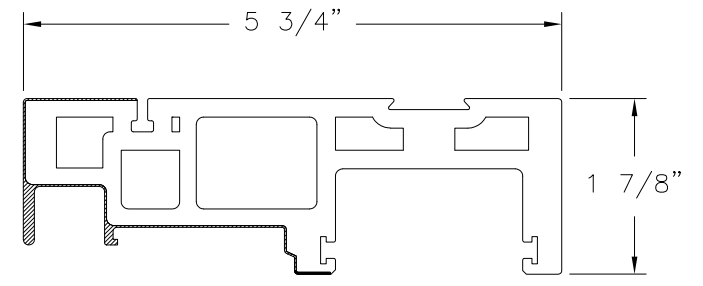


Luis R. Lomas P.E.  
TX No.: 101889  
Firm No: F-23130

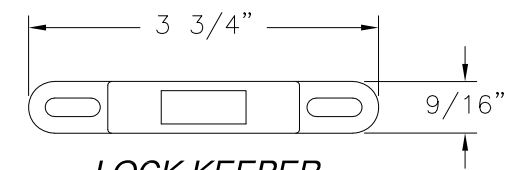
REVISIONS			
REV	DESCRIPTION	DATE	APPROVED
A	REVISED PER NEW CODE	12/20/2021	R.L.



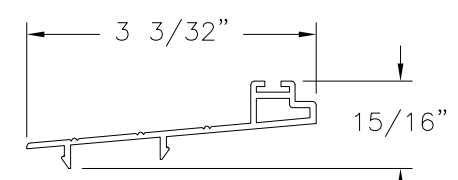
**GLIDING SILL-(A)**  
FOAM PVC CO-EX



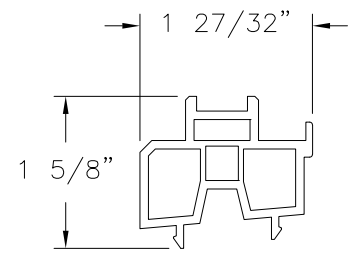
**HEAD FRAME & JAMB**  
FOAM PVC CO-EX



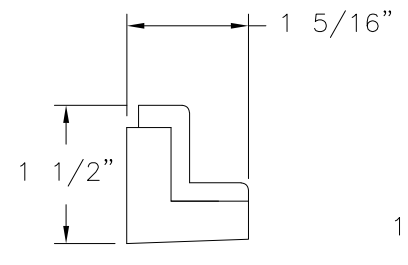
**LOCK KEEPER**  
STAINLESS STEEL (SH717)



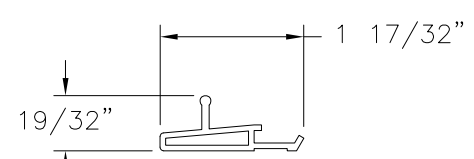
**GLIDING SILL-(B)**  
ALUMINUM



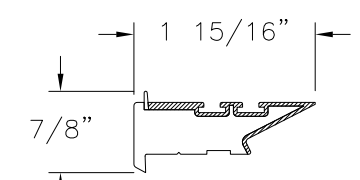
**STATIONARY BASE**  
RIGID PVC



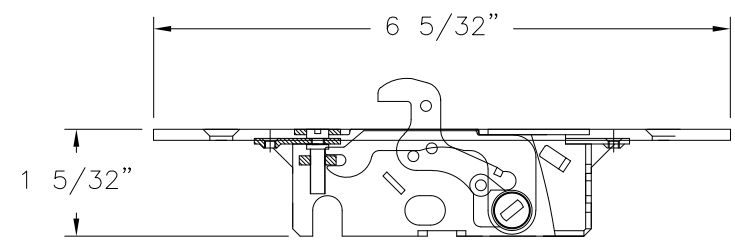
**DOWNSIDE WIND STOPPER**  
EPDM



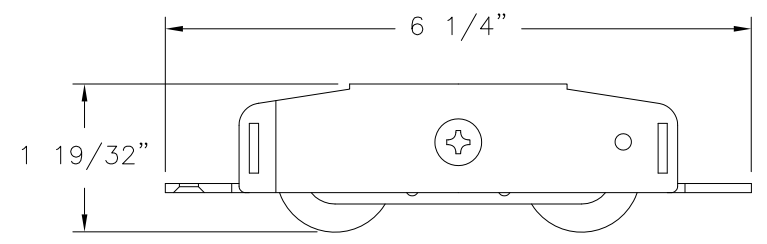
**SCREEN RAIL**  
ALUMINUM



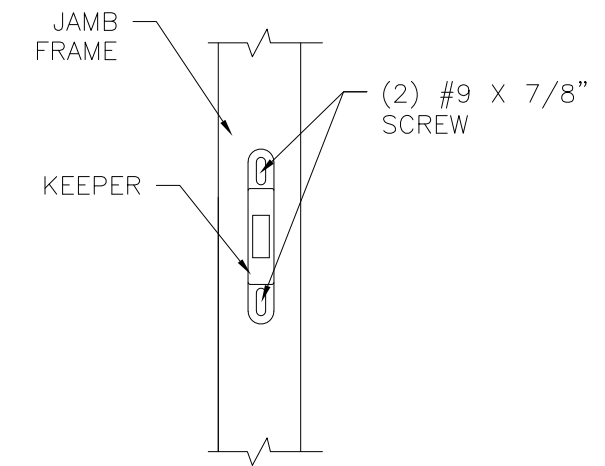
**MEETING STILE INTERLOCK**  
FOAM PVC CO-EX



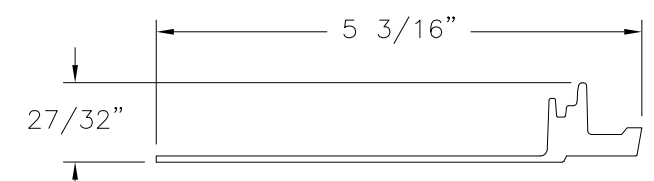
**SINGLE LOCKING SYSTEM**  
STAINLESS STEEL (SH721)



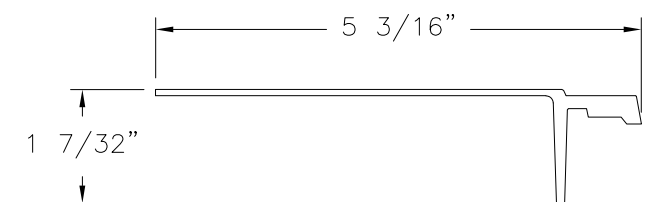
**ADJUSTABLE ROLLER**  
STAINLESS STEEL



**LOCK KEEPER DETAIL**



**SHEET MOLDING COMPOUND SKIN-1**  
FIBERGLASS



**SHEET MOLDING COMPOUND SKIN-2**  
FIBERGLASS

SIGNED: 12/20/2021

NAN YA PLASTICS CORP. USA  
8989 NORTH LOOP EAST  
HOUSTON, TX 77029

SERIES "GLIDING PATIO DOOR" FIBERGLASS  
SLIDING GLASS DOOR NON-IMPACT  
COMPONENTS

DRAWN: A.R.	DWG NO. 08-03317	REV A
SCALE NTS	DATE 09/27/18	SHEET 6 OF 6

L. ROBERTO LOMAS P.E.  
1432 WOODFORD RD LEWISVILLE, NC 27023  
434-688-0609 rllomas@rlomaspe.com



Luis R. Lomas P.E.  
TX No.: 101889  
Firm No: F-23130