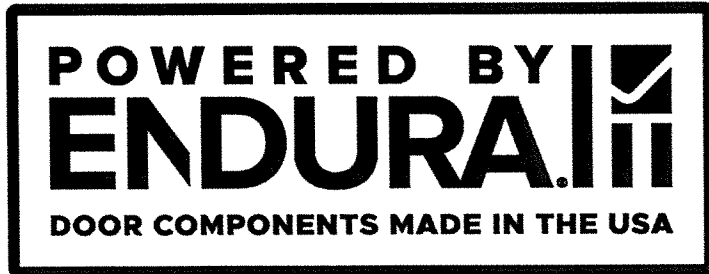


Z:\Clients\Endura PERMANENT\B - Texas Dept of Ins\TDI - DR-1013 Opaque JELD-WEN FG door XX (L.K. DB) (4898-4899)\C - Drawings\TX-4898-99.dwg



Opaque Fiberglass Door

"NON-IMPACT"
IN SWING / OUT SWING

EVALUATED FOR USE IN THE STATE OF TEXAS

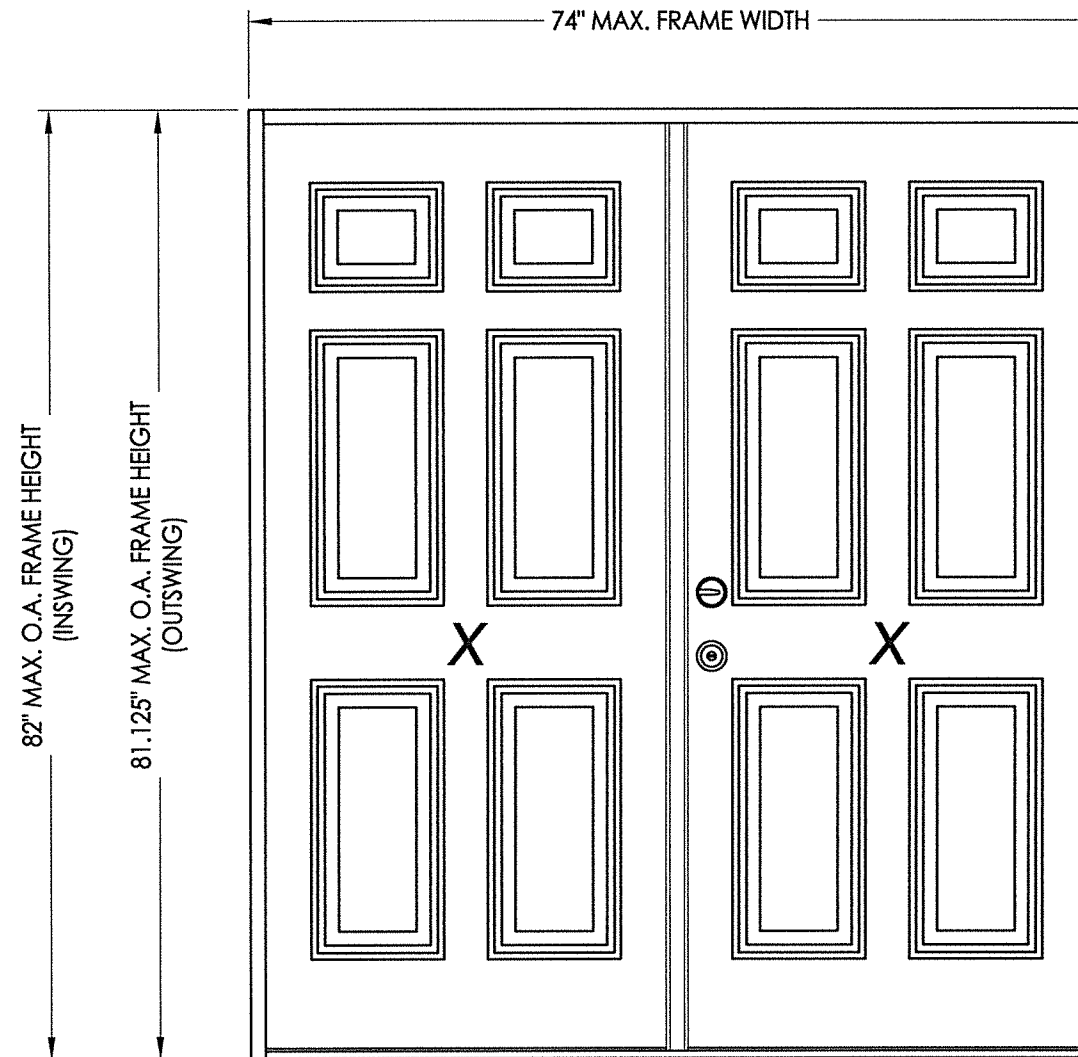
TDI DR-1013

The Fiberglass Door system described herein complies with the 2018 International Residential Code (IRC), Sections R301 & R609 and the 2018 International Building Code (IBC), Sections 1404.13, 1609, 1709.5, 2403 and 2404 subject to the following conditions:

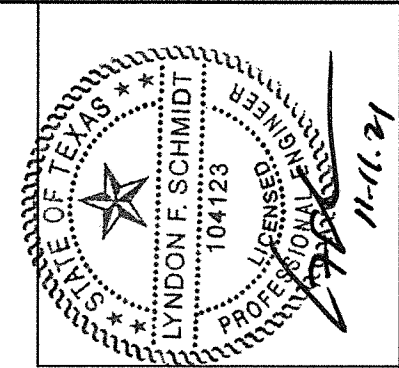
1. Anchors shall be as listed and spaced as shown in the details. Anchor embedment to base material shall be beyond wall dressing or stucco.
2. When used in areas requiring wind-borne debris protection this product is required to be protected with an impact resistant covering that complies with Section R301.2.1.2 of the IRC and Section 1609.1.2 of the IBC.
3. Allowable design pressure requirements must be equal to or less than the design pressure rating shown in the design pressure chart, sheet 1 of this drawing.
4. drawing.

Conditions not covered by this drawing are subject to further engineering analysis.

TABLE OF CONTENTS	
SHEET #	DESCRIPTION
1	Typical elevations, design pressures & general notes
2	Astragal details
3	Door panel details
4	Horizontal & vertical cross sections
5	Vertical cross sections
6	Frame anchoring



CONFIG.	MODEL	DESIGN PRESSURE (PSF)	
		POSITIVE	NEGATIVE
XX	IN SWING	+50.0	-55.0
	OUT SWING	+55.0	-55.0



Documents Prepared By: Lyndon F. Schmidt, P.E.
TEXAS P.E. #104123

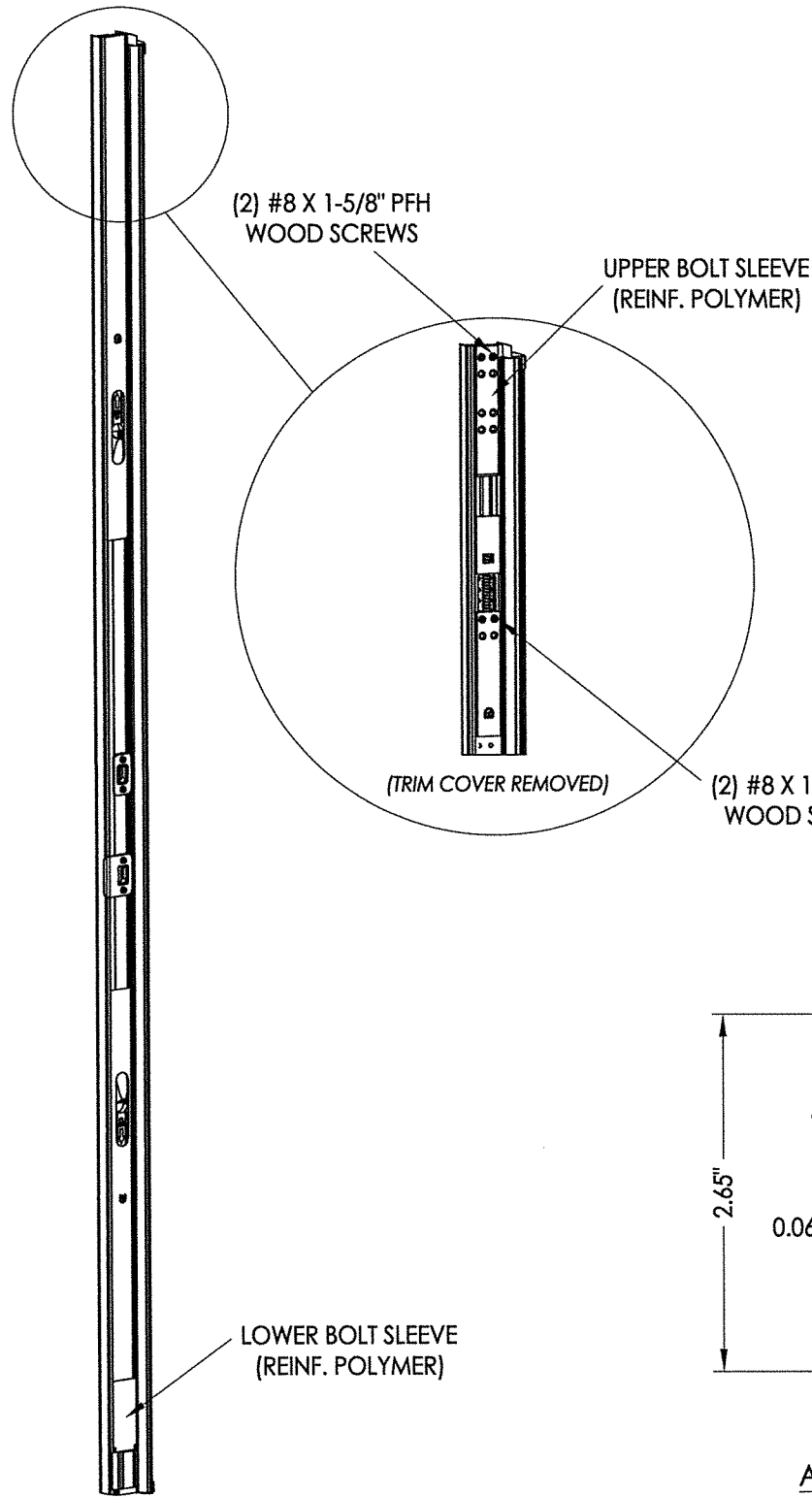
RW BUILDING CONSULTANTS, INC.
P.O. Box 230 Valrico FL 33595
Phone No.: 813.659.9197

TEXAS BOARD OF PROFESSIONAL ENGINEERS
CERTIFICATE OF REGISTRATION # F-11852

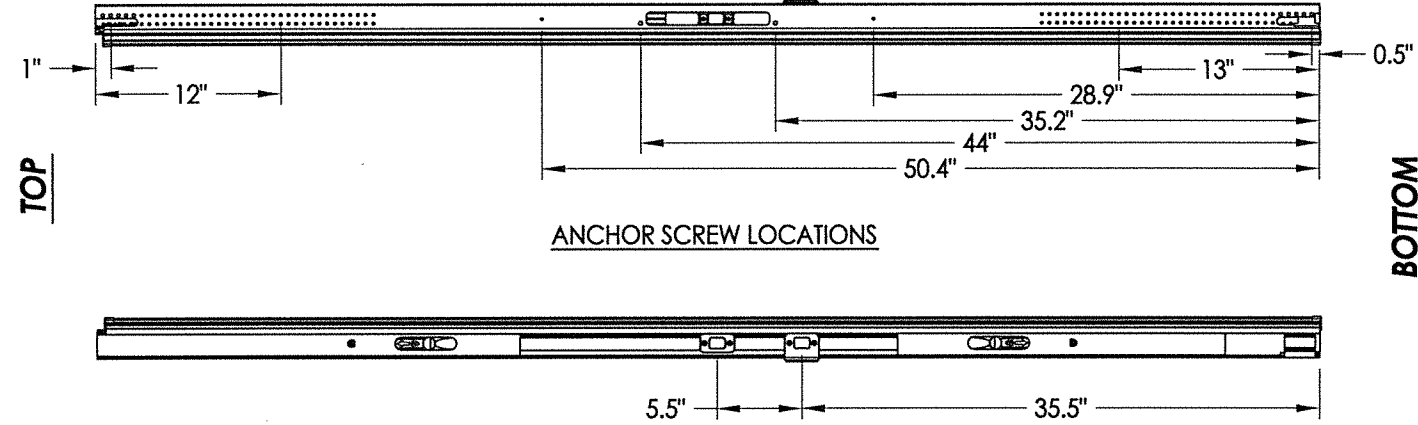
PRODUCT: ENDURA
PART OR ASSEMBLY: TYPICAL ELEVATION, DESIGN PRESSURES & GENERAL NOTES

NO.	DATE	REVISIONS	BY
1	11/10/21	UPDATE TO 2018 IBC/IRC CODE	LFS

DATE: 11/06/18
SCALE: N.T.S.
DWG. BY: JK
CHK. BY: LFS
DRAWING NO.: TX-4898
SHEET 1 OF 6

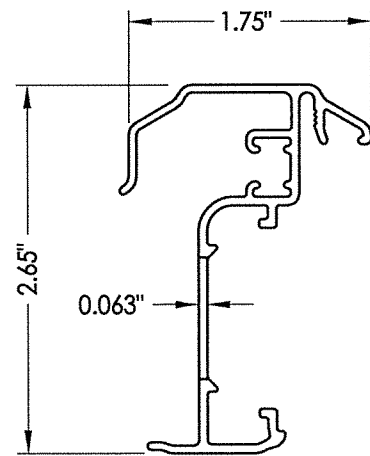


ULTIMATE HURRICANE ASTRAGAL

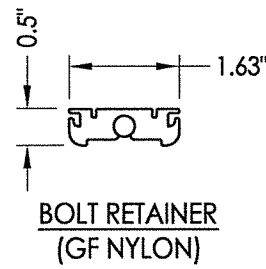


ANCHOR SCREW LOCATIONS

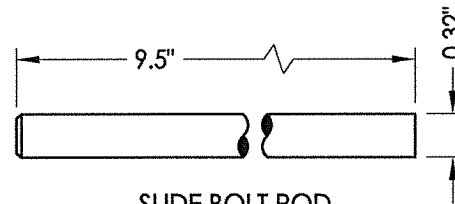
HARDWARE LOCATIONS



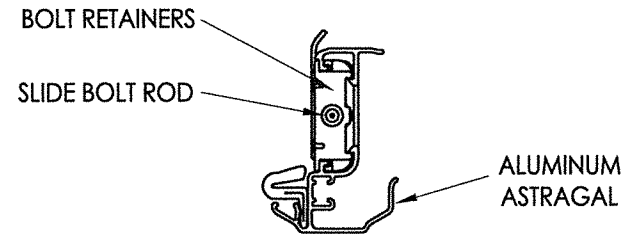
ASTRAGAL SECTION



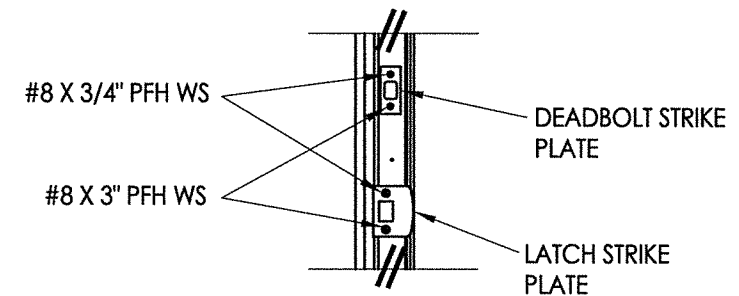
BOLT RETAINER (GF NYLON)



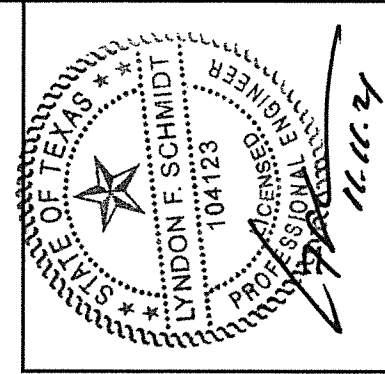
SLIDE BOLT ROD (STEEL)



ALUMINUM ASTRAGAL ASSEMBLY



LATCH & DEADBOLT DETAIL



Documents Prepared By: Lyndon F. Schmidt, P.E.
TEXAS P.E. #104123

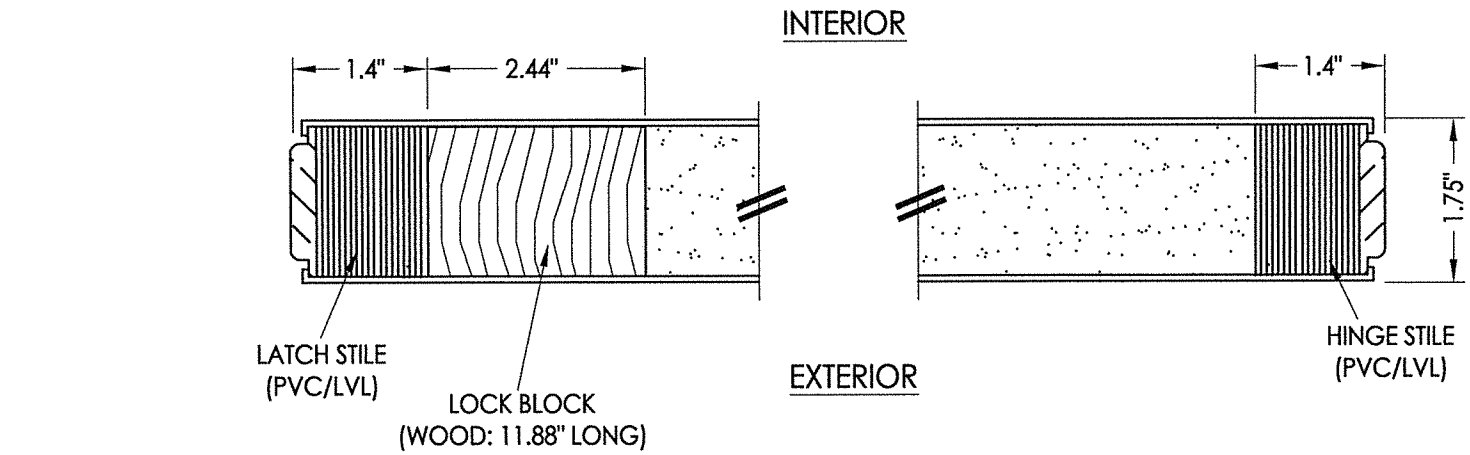
RW BUILDING CONSULTANTS, INC.
P.O. Box 230 Valrico FL 33595
Phone No.: 813.659.9197
TEXAS BOARD OF PROFESSIONAL ENGINEERS
CERTIFICATE OF REGISTRATION # F-11852

PRODUCT:	ENDURA
PART OR ASSEMBLY:	ASTRAGAL DETAILS

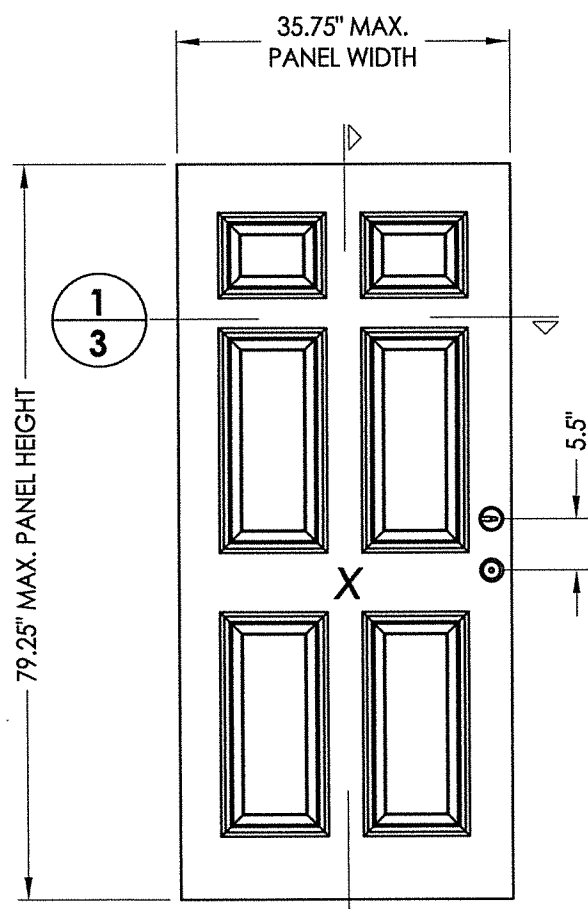
NO.	DATE	DESCRIPTION
1	11/10/21	UPDATE TO 2018 IBC/IRC CODE
		LFS
		BY

DATE:	11/06/18
SCALE:	N.T.S.
DWG. BY:	JK
CHK. BY:	LFS
DRAWING NO.:	TX-4898
SHEET	2 OF 6

Z:\Clients\Endura PERMANENT\B - Texas Dept of Ins\TDI - DR-1013 Opaque JELD-WEN FG door XX (LK, DB) (4898-4899)\C - Drawings\TX-4898-99.dwg

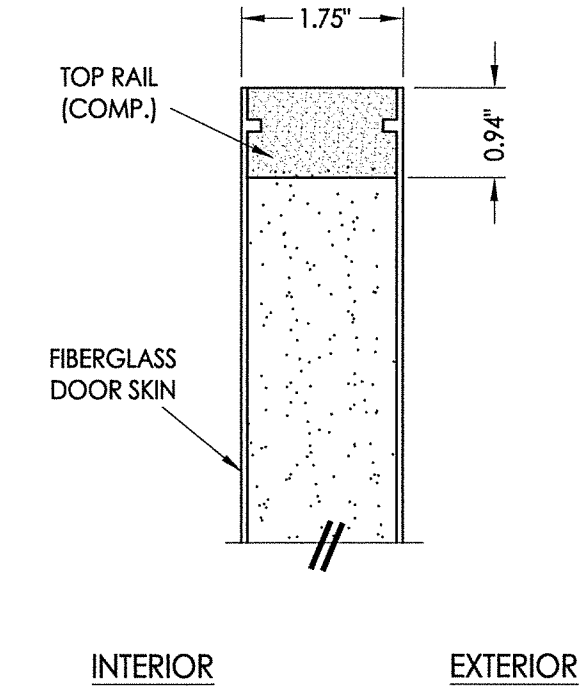


1
3 HORIZONTAL CROSS SECTION

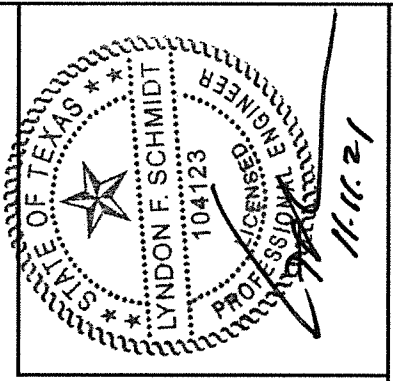


40 **DOOR PANEL**
JELD-WEN
Fiberglass

DOOR SKIN: FIBERGLASS (0.075" MIN. THICKNESS)
CORE MATERIAL: POLYURETHANE FOAM



2
3 VERTICAL CROSS SECTION



Documents Prepared By: Lyndon F. Schmidt, P.E.
TEXAS P.E. #104123

RW BUILDING CONSULTANTS, INC.
P.O. Box 230 Vairico FL 33595
Phone No.: 813.659.9197
TEXAS BOARD OF PROFESSIONAL ENGINEERS
CERTIFICATE OF REGISTRATION # F-11852

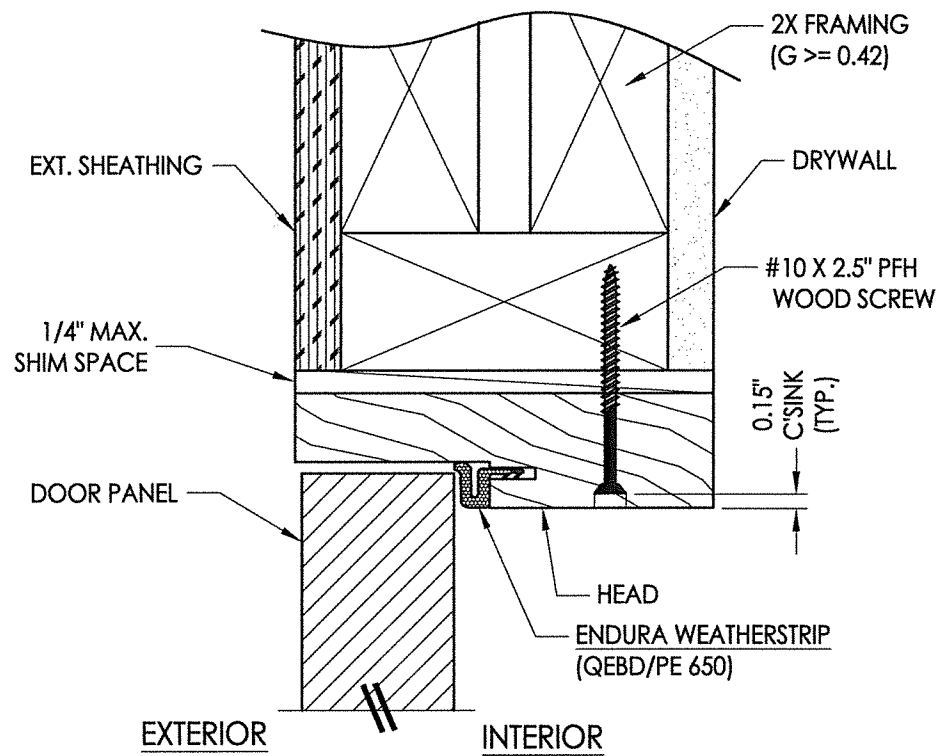
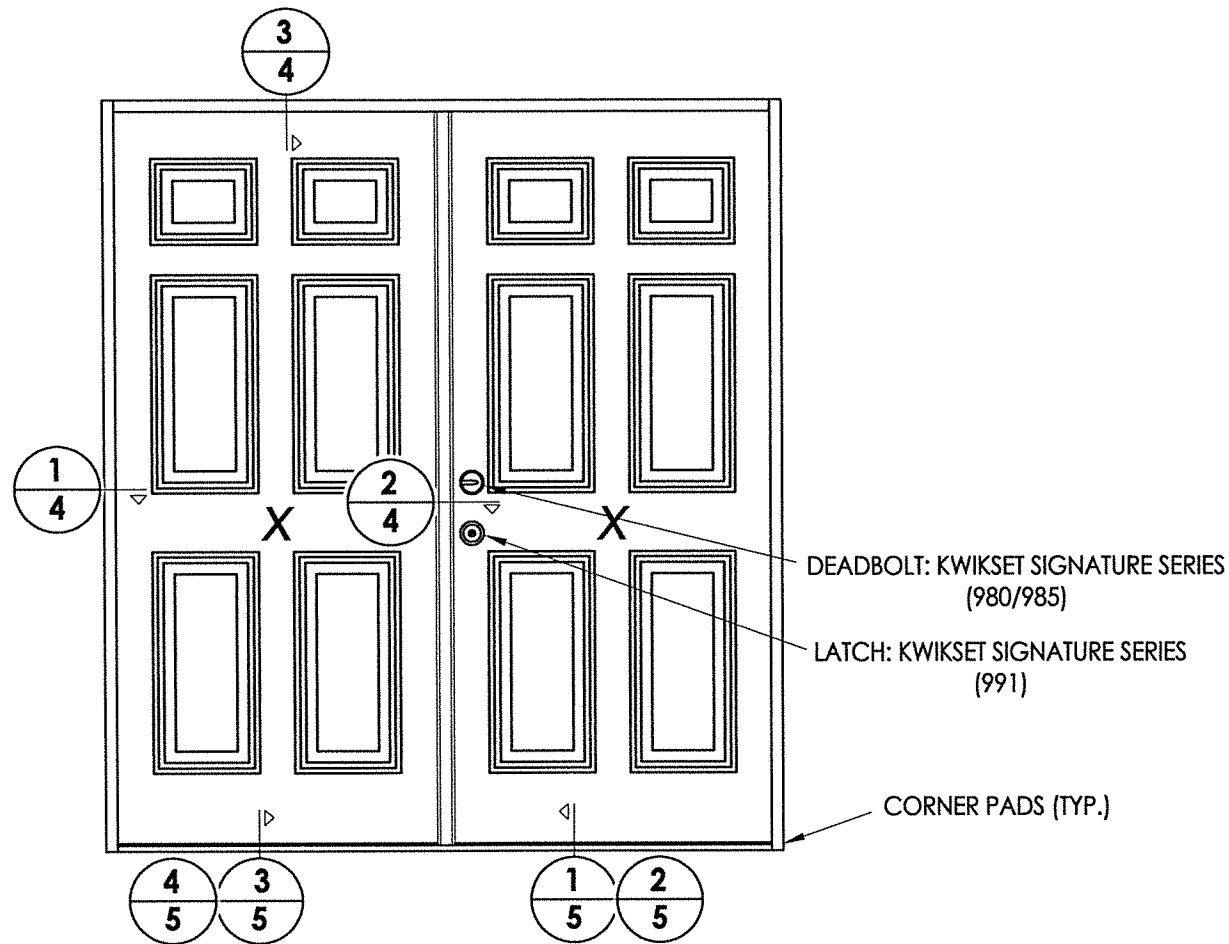
PRODUCT:	ENDURA
PART OR ASSEMBLY:	DOOR PANEL DETAILS

NO.	DATE	DESCRIPTION	BY
1	11/10/21	UPDATE TO 2018 IBC/IRC CODE	LFS

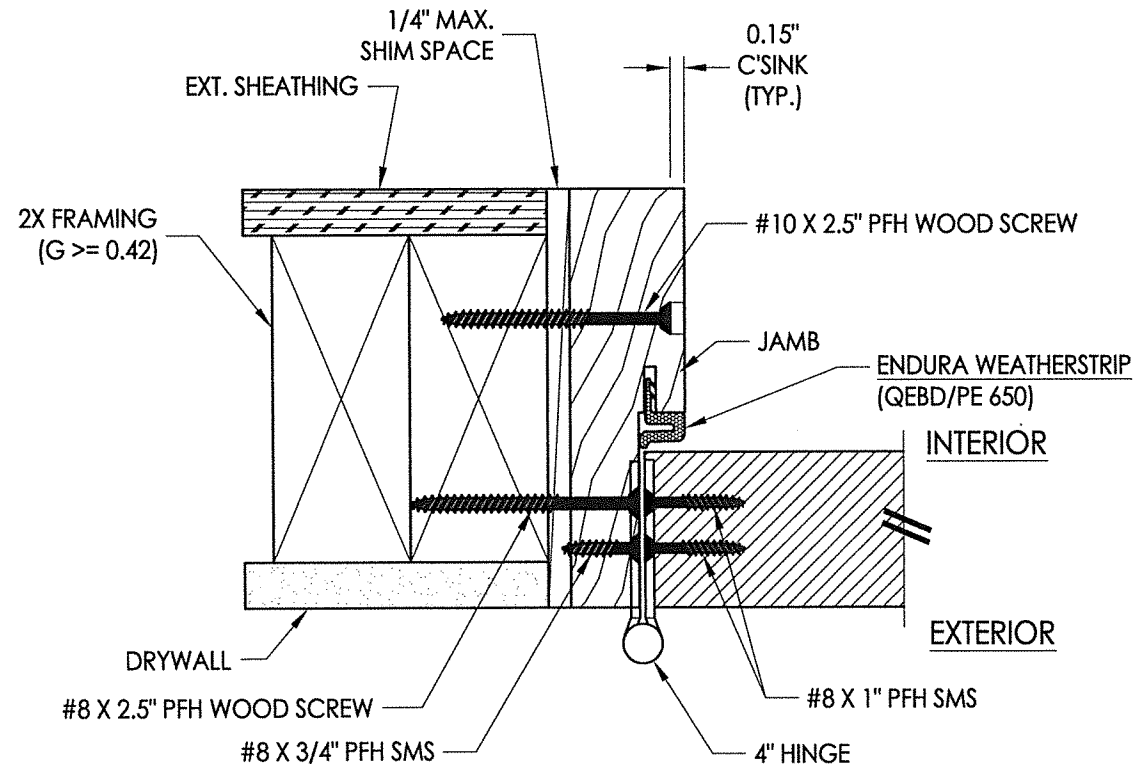
DATE:	11/06/18
SCALE:	N.T.S.
DWG. BY:	JK
CHK. BY:	LFS
DRAWING NO.:	TX-4898
SHEET	3 OF 6

© 2018 R.W. BUILDING CONSULTANTS INC.

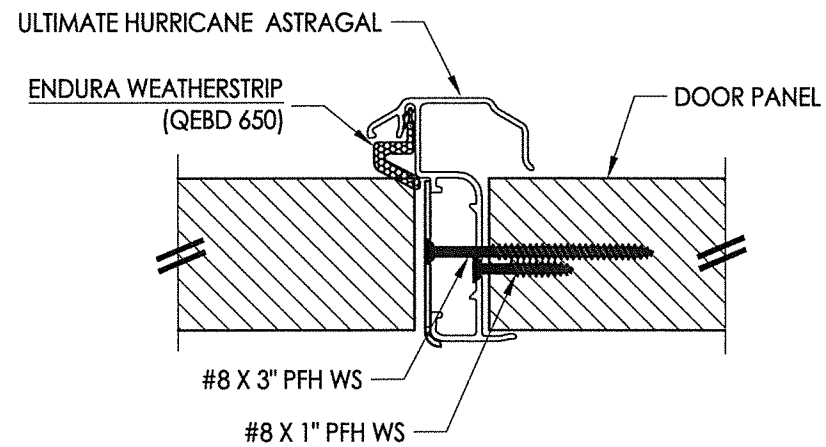
Z:\Clients\Endura Permanent\B - Texas Dept of Ins\TDI - DR-1013 Opaque JELD-WEN FG door XX (LK, DB) (4898-4899)\C - Drawings\TX-4898-99.dwg



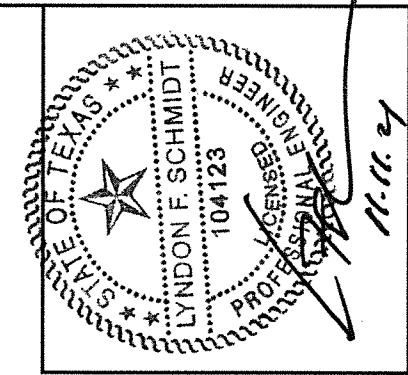
3 VERTICAL CROSS SECTION
 4 Outswing shown - inswing also approved



1 HORIZONTAL CROSS SECTION
 4 Inswing shown - Outswing also approved



2 HORIZONTAL CROSS SECTION
 4



Documents Prepared By: Lyndon F. Schmidt, P.E.
 TEXAS P.E. #104123

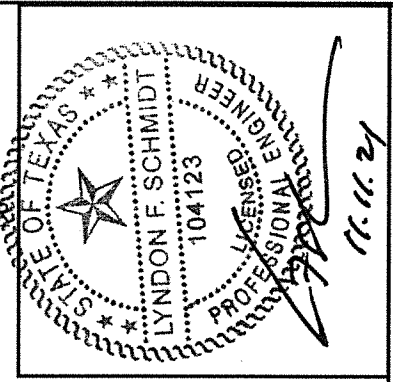
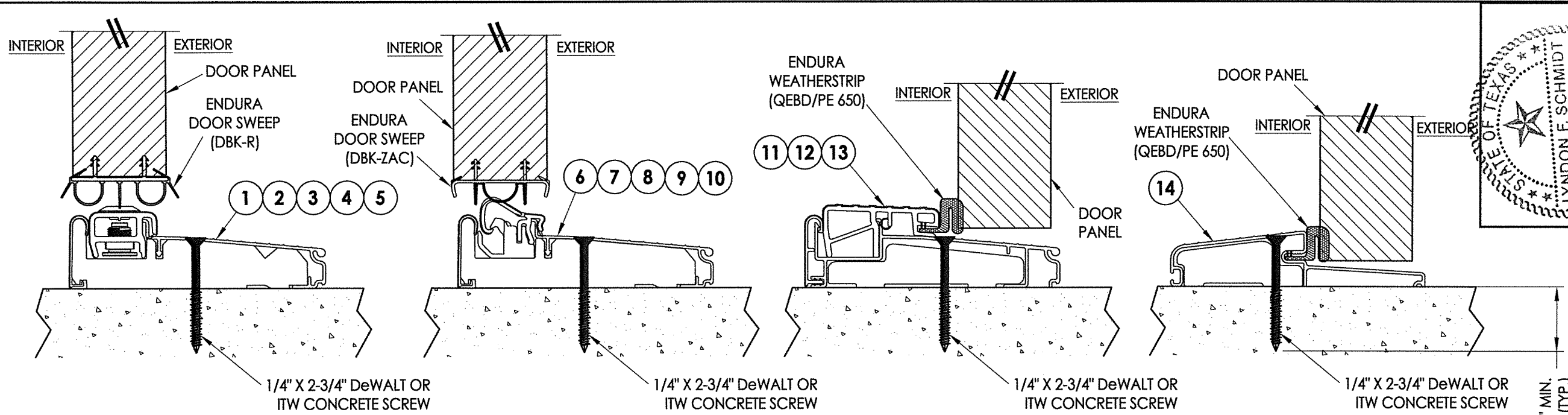
RW BUILDING CONSULTANTS, INC.
 P.O. Box 230 Vairico FL 33595
 Phone No.: 813.659.9197
 TEXAS BOARD OF PROFESSIONAL ENGINEERS
 CERTIFICATE OF REGISTRATION # F-11852

PRODUCT: ENDURA
 PART OR ASSEMBLY: HORIZONTAL & VERTICAL CROSS SECTIONS

NO.	DATE	BY
1	11/10/21	LFS

DATE: 11/06/18
 SCALE: N.T.S.
 DWG. BY: JK
 CHK. BY: LFS
 DRAWING NO.: TX-4898
 SHEET 4 OF 6

Z:\Clients\Endura PERMANENT\B - Texas Dept of Ins\TDI - DR-1013 Opaque JELD-WEN FG door XX (L,K, DB) (4898-4899)\C - Drawings\TX-4898-99.dwg



Documents Prepared By: Lyndon F. Schmidt, P.E.
TEXAS P.E. #104123

RW BUILDING CONSULTANTS, INC.
P.O. Box 230 Vairico FL 33595
Phone No.: 813.659.9197

TEXAS BOARD OF PROFESSIONAL ENGINEERS
CERTIFICATE OF REGISTRATION # F-11852

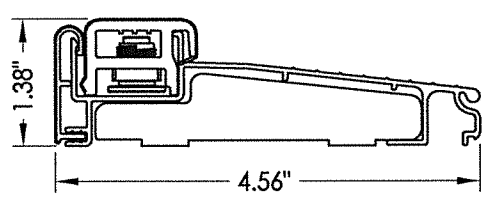
1 VERTICAL CROSS SECTION
5 Inswing Adjustable Threshold

2 VERTICAL CROSS SECTION
5 Inswing Articulating Threshold w/ Pin Capture

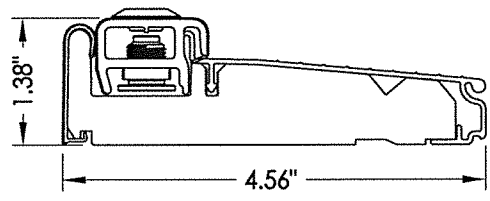
3 VERTICAL CROSS SECTION
5 Outswing Bump Threshold

4 VERTICAL CROSS SECTION
5 Outswing Bump Threshold

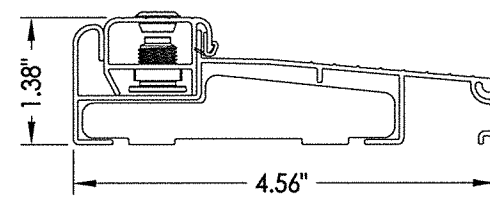
1-1/4" MIN.
EMB. (TYP.)



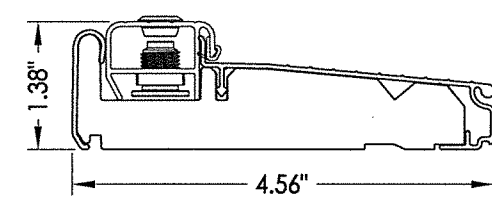
1 INSWING ADJUSTABLE THRESHOLD
ZAIL4565



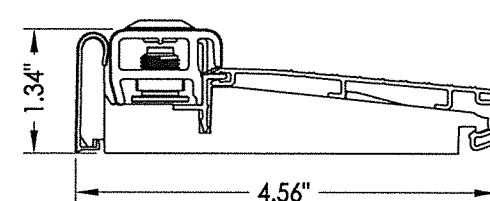
2 INSWING ADJUSTABLE THRESHOLD
ZAI4565FN
MAX. DESIGN PRESSURE = ±45 PSF



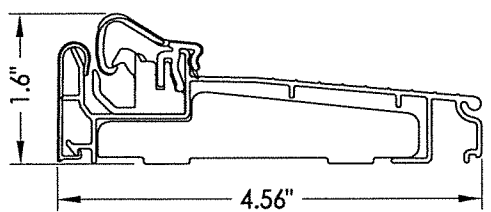
3 INSWING ADJUSTABLE THRESHOLD
ZAILAA4565



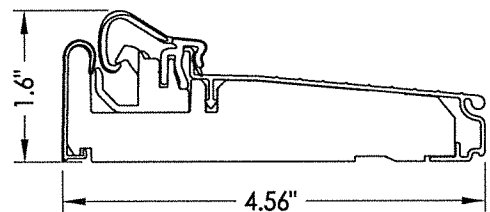
4 INSWING ADJUSTABLE THRESHOLD
ZAIAA4565FN
MAX. DESIGN PRESSURE = ±45 PSF



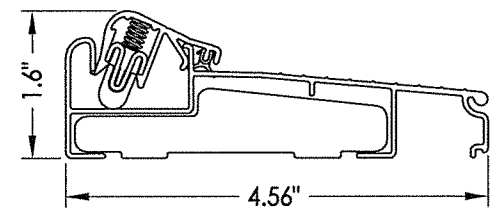
5 INSWING ADJUSTABLE THRESHOLD
ZAI4565RDS
MAX. DESIGN PRESSURE = ±45 PSF



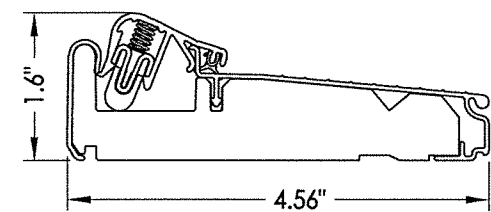
6 INSWING ARTICULATING THRESHOLD
ZACL4565
MAX. DESIGN PRESSURE = ±45 PSF



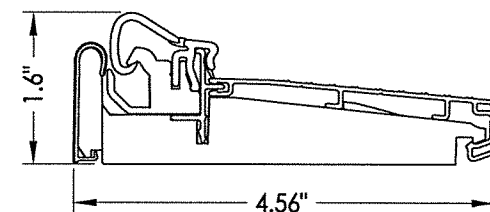
7 INSWING ARTICULATING THRESHOLD
ZAC4565FN
MAX. DESIGN PRESSURE = ±45 PSF



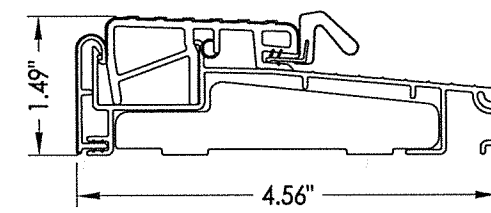
8 INSWING ARTICULATING THRESHOLD
ZACLAA4565
MAX. DESIGN PRESSURE = ±45 PSF



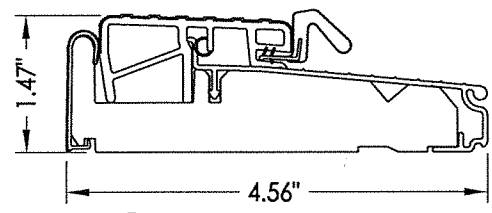
9 INSWING ARTICULATING THRESHOLD
ZACAA4565FN
MAX. DESIGN PRESSURE = ±45 PSF



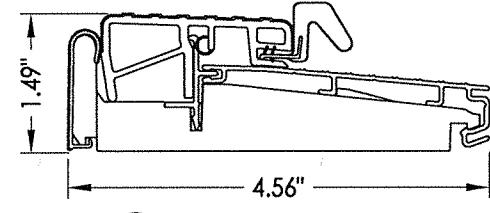
10 INSWING ARTICULATING THRESHOLD
ZAC4565RDS
MAX. DESIGN PRESSURE = ±45 PSF



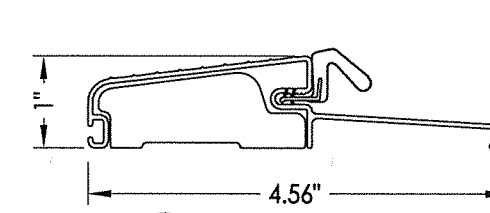
11 OUTSWING THRESHOLD
ZOBL4565



12 OUTSWING THRESHOLD
ZOB4565FN



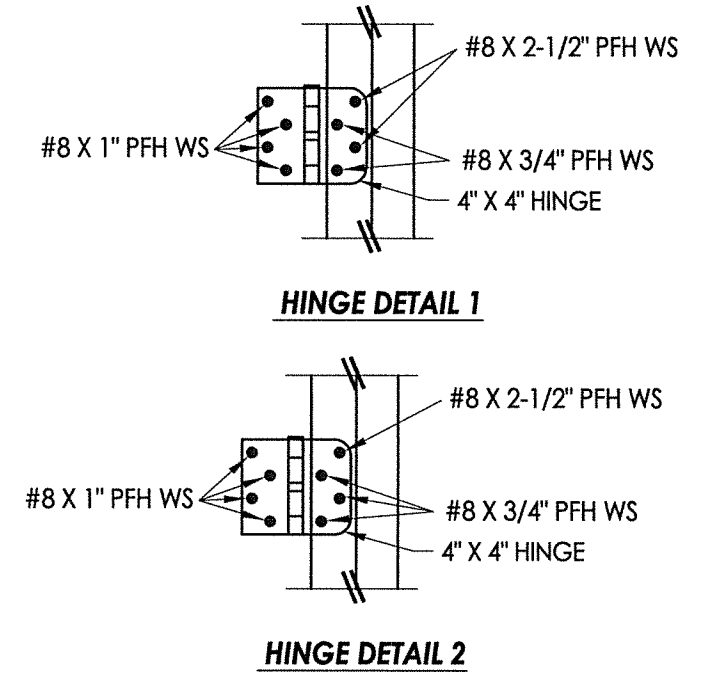
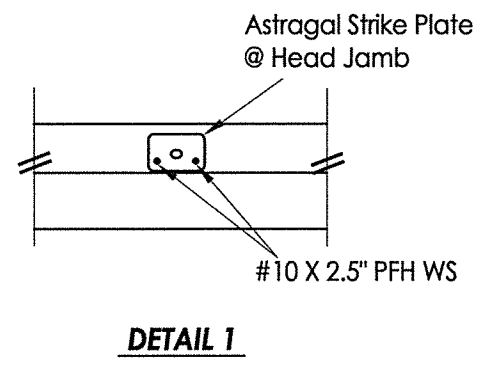
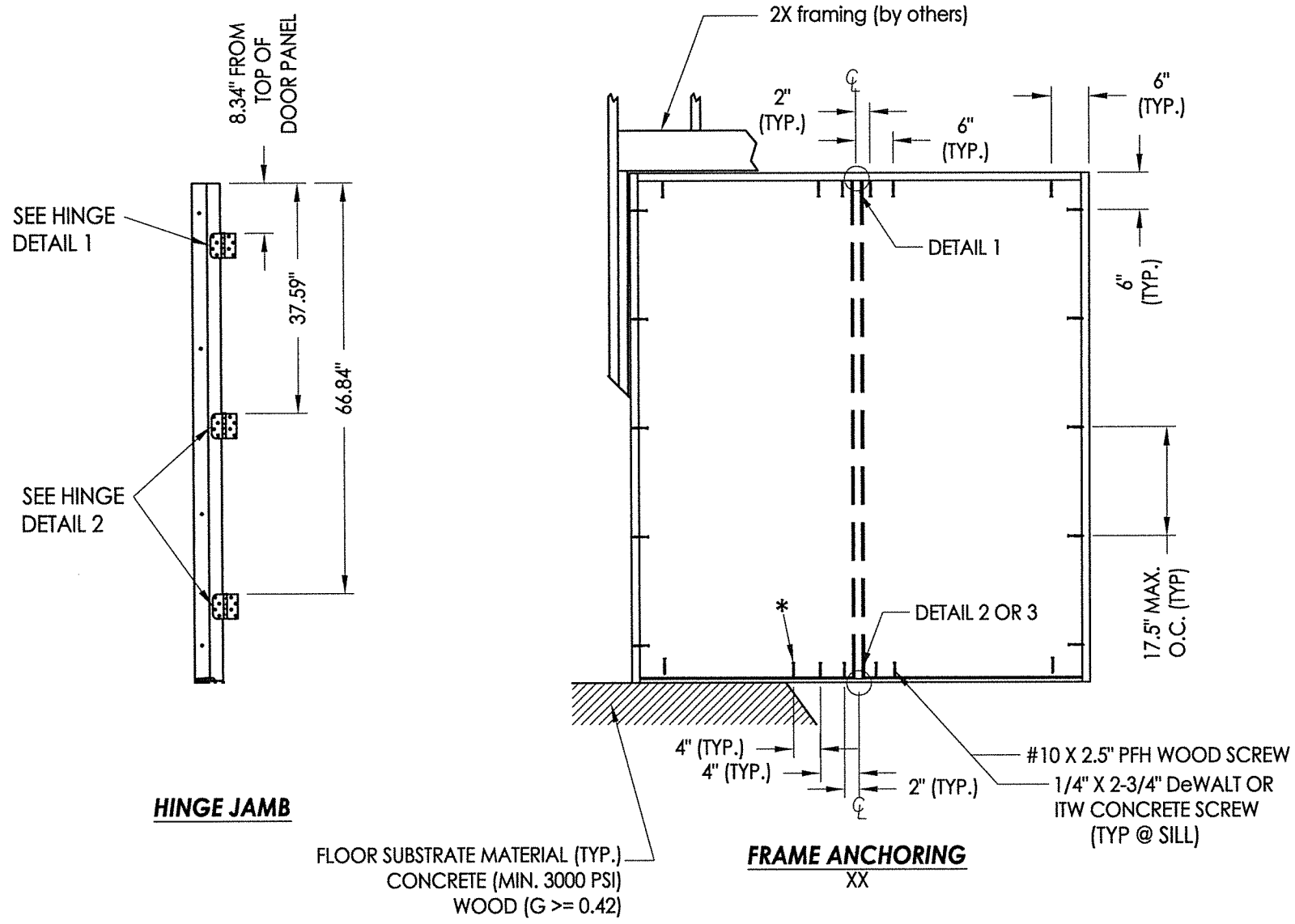
13 OUTSWING THRESHOLD
ZOB4565RDS



14 OUTSWING THRESHOLD
FOB4566

PRODUCT:		ENDURA	
PART OR ASSEMBLY:		VERTICAL CROSS SECTIONS	
NO.	DATE	LFS	BY
1	11/10/21	UPDATE TO 2018 IBC/IRC CODE	
REVISIONS			
DATE: 11/06/18			
SCALE: N.T.S.			
DWG. BY: JK			
CHK. BY: LFS			
DRAWING NO.: TX-4898			
SHEET 5 OF 6			

Z:\Clients\Endura PERMANENT\B - Texas Dept of Ins\TDI - DR-1013 Opaque JELD-WEN FG door XX (LK, DB) (4898-4899)\C - Drawings\TX-4898-99.dwg

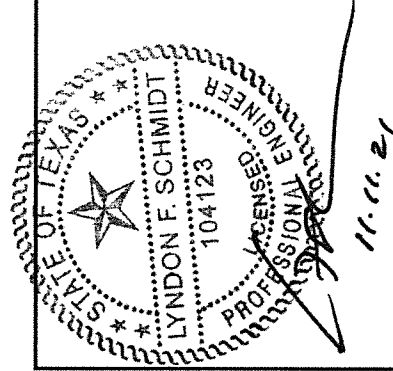
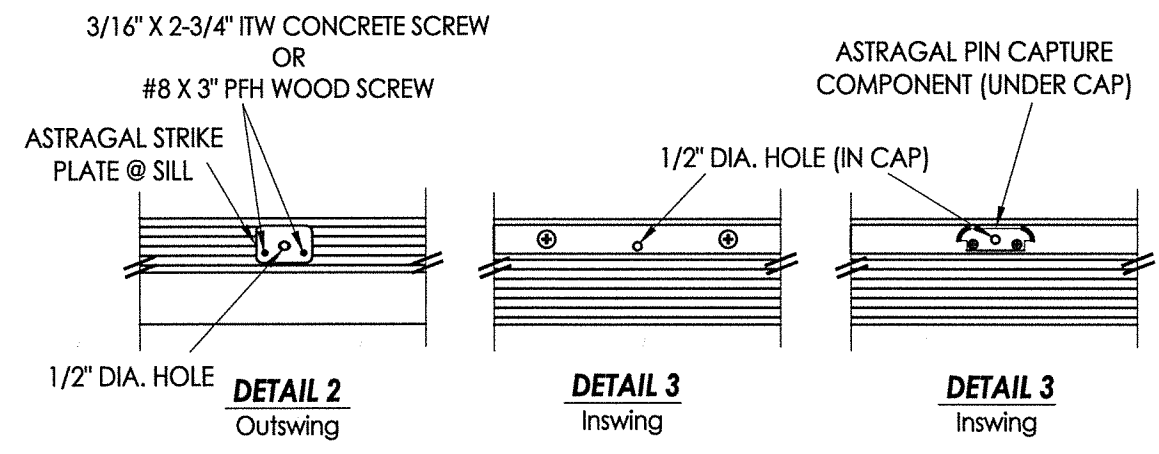


* NOTE: This anchor required for D.P. > 45 PSF.

CONCRETE ANCHOR NOTES:

1. Concrete anchor locations at the corners may be adjusted to maintain the min. edge distance to mortar joints.
2. Concrete anchor locations noted as "MAX. ON CENTER" must be adjusted to maintain the min. edge distance to mortar joints, additional concrete anchors may be required to ensure the "MAX. ON CENTER" dimension are not exceeded.
3. Concrete anchor table:

ANCHOR TYPE	ANCHOR SIZE	MIN. EMBEDMENT	MIN. CLEARANCE TO MASONRY EDGE	MIN. CLEARANCE TO ADJACENT ANCHOR
ITW TAPCON®	3/16"	1-3/4"	3"	1-1/2"
	1/4"	1-3/4"	1-1/2"	4"
DeWALT ULTRACON®	1/4"	1-3/4"	1"	4"



Documents Prepared By: Lyndon F. Schmidt, P.E.
TEXAS P.E. #104123

RW BUILDING CONSULTANTS, INC.
P.O. Box 230 Valrico FL 33595
Phone No.: 813.659.9197

TEXAS BOARD OF PROFESSIONAL ENGINEERS
CERTIFICATE OF REGISTRATION # F-11852

PRODUCT: ENDURA

PART OR ASSEMBLY: FRAME ANCHORING

NO.	DATE	REVISIONS
1	11/10/21	UPDATE TO 2018 IBC/IRC CODE
		LFS
		BY

DATE: 11/06/18

SCALE: N.T.S.

DWG. BY: JK

CHK. BY: LFS

DRAWING NO.: TX-4898

SHEET 6 OF 6