

REVISIONS			
REV	DESCRIPTION	DATE	APPROVED
C	REVISED PER NEW CODE	12/17/2021	R.L.

NOTES:

- THE PRODUCT SHOWN HEREIN IS DESIGNED AND MANUFACTURED TO COMPLY WITH REQUIREMENTS OF THE 2018 IBC AND 2018 IRC.
- WOOD FRAMING AND MASONRY OPENING TO BE DESIGNED AND ANCHORED TO PROPERLY TRANSFER ALL LOADS TO STRUCTURE. FRAMING AND MASONRY OPENING IS THE RESPONSIBILITY OF THE ARCHITECT OR ENGINEER OF RECORD.
- 1X BUCK OVER MASONRY/CONCRETE IS OPTIONAL.
- WHERE SHIM OR BUCK THICKNESS IS LESS THAN 1-1/2" WINDOW UNITS MUST BE ANCHORED THROUGH THE FRAME IN ACCORDANCE WITH MANUFACTURER'S PUBLISHED INSTALLATION INSTRUCTIONS. ANCHORS SHALL BE SECURELY FASTENED DIRECTLY INTO MASONRY, CONCRETE OR OTHER STRUCTURAL SUBSTRATE MATERIAL.
- WHERE WOOD BUCK THICKNESS IS 1-1/2" OR GREATER, BUCK SHALL BE SECURELY FASTENED TO MASONRY, CONCRETE OR OTHER STRUCTURAL SUBSTRATE. WINDOW UNITS MAY BE ANCHORED THROUGH FRAME TO SECURED WOOD BUCK IN ACCORDANCE WITH MANUFACTURER'S PUBLISHED INSTALLATION INSTRUCTIONS.
- WHERE 1X BUCK IS NOT USED DISSIMILAR MATERIALS MUST BE SEPARATED WITH APPROVED COATING OR MEMBRANE. SELECTION OF COATING OR MEMBRANE IS THE RESPONSIBILITY OF THE ARCHITECT OR ENGINEER OF RECORD.
- BUCKS SHALL EXTEND BEYOND WINDOW INTERIOR FACE SO THAT FULL FRAME SUPPORT IS PROVIDED.
- SHIM AS REQUIRED AT EACH ANCHOR LOCATION WITH LOAD BEARING SHIM. SHIM WHERE SPACE OF 1/16" OR GREATER OCCURS. MAXIMUM ALLOWABLE SHIM STACK TO BE 1/4".
- SHIMS SHALL BE LOCATED, APPLIED AND MADE FROM MATERIALS AND THICKNESS CAPABLE OF SUSTAINING APPLICABLE LOADS.
- WIND LOAD DURATION FACTOR Cd=1.6 WAS USED FOR WOOD ANCHOR CALCULATIONS.
- FRAME MATERIAL: CO-EXTRUDED PVC FOAM.
- UNITS MUST BE GLAZED WITH SAFETY GLASS PER ASTM E1300.
- APPROVED IMPACT PROTECTIVE SYSTEM IS REQUIRED FOR THIS PRODUCT IN WIND BORNE DEBRIS REGIONS.
- FOR ANCHORING INTO WOOD FRAMING OR 2X BUCK USE #10 WOOD SCREWS WITH SUFFICIENT LENGTH TO ACHIEVE A 1 1/4" MINIMUM EMBEDMENT INTO SUBSTRATE. LOCATE ANCHORS AS SHOWN IN ELEVATIONS AND INSTALLATION DETAILS.
- FOR ANCHORING INTO MASONRY/CONCRETE USE 3/16" TAPCONS WITH SUFFICIENT LENGTH TO ACHIEVE A 1 1/4" MINIMUM EMBEDMENT INTO SUBSTRATE WITH 2" MINIMUM EDGE DISTANCE. LOCATE ANCHORS AS SHOWN IN ELEVATIONS AND INSTALLATION DETAILS.
- FOR ANCHORING INTO METAL STRUCTURE USE #10 SMS OR SELF DRILLING SCREWS WITH SUFFICIENT LENGTH TO ACHIEVE 3 THREADS MINIMUM BEYOND STRUCTURE INTERIOR WALL. LOCATE ANCHORS AS SHOWN IN ELEVATIONS AND INSTALLATION DETAILS.
- ALL FASTENERS TO BE CORROSION RESISTANT.
- INSTALLATION ANCHORS SHALL BE INSTALLED IN ACCORDANCE WITH ANCHOR MANUFACTURER'S INSTALLATION INSTRUCTIONS AND ANCHORS SHALL NOT BE USED IN SUBSTRATES WITH STRENGTHS LESS THAN THE MINIMUM STRENGTH SPECIFIED BELOW:
 - WOOD - MINIMUM SPECIFIC GRAVITY OF G=0.42
 - CONCRETE - MINIMUM COMPRESSIVE STRENGTH OF 3,192 PSI.
 - MASONRY - STRENGTH CONFORMANCE TO ASTM C-90, GRADE N, TYPE 1 (OR GREATER).
 - METAL STRUCTURE: STEEL 18GA, 33KSI OR ALUMINUM 6063-T5 1/8" THICK MINIMUM
- APPROVED CONFIGURATIONS: X, OX, XO, X/O, O/X, XX, OXX, XXO, O/XX, XX/O, OXO, O/XO, AND OX/O, SEE SHEET 3.
- SIDELITES ARE ASSEMBLED TO FRAME WITH #10X2 1/2" WOOD SCREWS LOCATED 4" FROM EACH END AND 18 1/2" MAX O.C. THEREAFTER AT JAMBS AND 4" FROM EACH END AND ONE AT MIDSPAN AT HEAD AND SILL.

TABLE OF CONTENTS	
SHEET NO.	DESCRIPTION
1	NOTES
2	ELEVATION AND HARDWARE
3	APPROVED CONFIGURATIONS
4	ANCHORING LAYOUTS
5 - 11	INSTALLATION DETAILS
12	COMPONENTS

NAN YA PLASTICS CORP. USA
8989 NORTH LOOP EAST
HOUSTON, TX 77029

**SERIES SLP OUT-SWING 6'11" PATIO DOOR
NON-IMPACT
NOTES**

DRAWN: V.L.	DWG NO. 08-02432	REV C
SCALE NTS	DATE 08/14/14	SHEET 1 OF 12

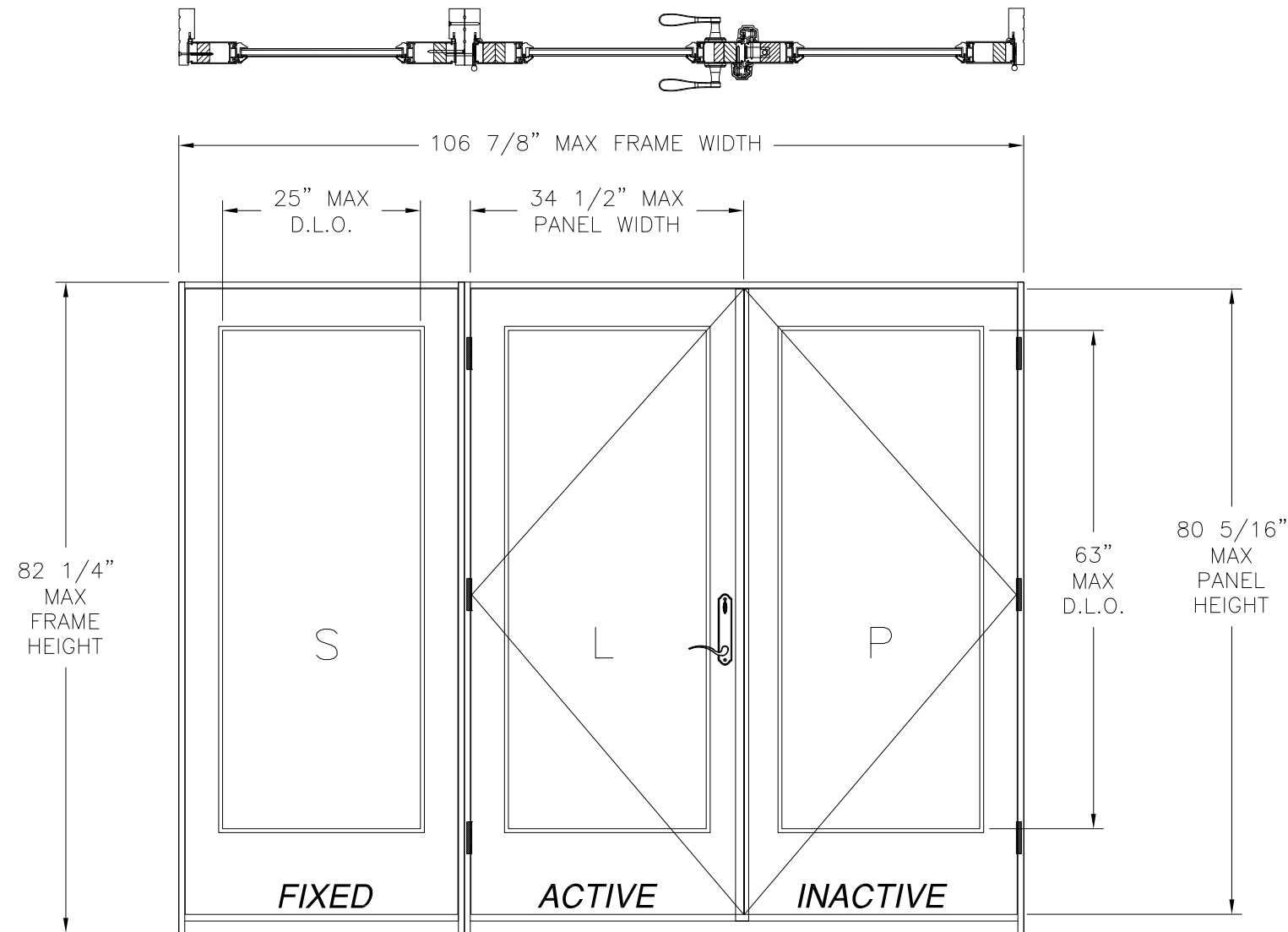
L. ROBERTO LOMAS P.E.
1432 WOODFORD RD LEWISVILLE, NC 27023
434-688-0609 rllomas@rlomaspe.com

SIGNED: 12/17/2021



Luis R. Lomas P.E.
TX No.: 101889
Firm No: F-23130

REVISIONS			
REV	DESCRIPTION	DATE	APPROVED
C	REVISED PER NEW CODE	12/17/2021	R.L.



SERIES SLP OUT-SWING 6'11" PATIO DOOR
EXTERIOR VIEW

DESIGN PRESSURE RATING	IMPACT RATING
±50PSF	NONE

HARDWARE SCHEDULE

A.	(3) STEEL 4X4 BUTT HINGE BY WENZHOU LONGTAI (PER PANEL), AT 7 5/8", 37 7/8" AND 68 1/8" FROM FRAME HEAD
B.	STAINLESS STEEL, FLUSH BOLT MECHANISM WITH KEEPER AT INACTIVE PANEL LOCK STILE
C.	STAINLESS STEEL DOOR DEADBOLT WITH KEEPER AT ACTIVE PANEL, 38" FROM FRAME HEAD
D.	STAINLESS STEEL DOOR LATCH WITH KEEPER AT ACTIVE PANEL, 43 1/2" FROM FRAME HEAD
E.	DIE CAST HANDLE SETS AT ACTIVE PANELS
F.	ALUMINUM REINFORCEMENT AT T-ASTRAGAL

NAN YA PLASTICS CORP. USA
8989 NORTH LOOP EAST
HOUSTON, TX 77029

SERIES SLP OUT-SWING 6'11" PATIO DOOR
NON-IMPACT
O/XX ELEVATION

DRAWN: V.L.	DWG NO. 08-02432	REV C
SCALE NTS	DATE 08/14/14	SHEET 2 OF 12

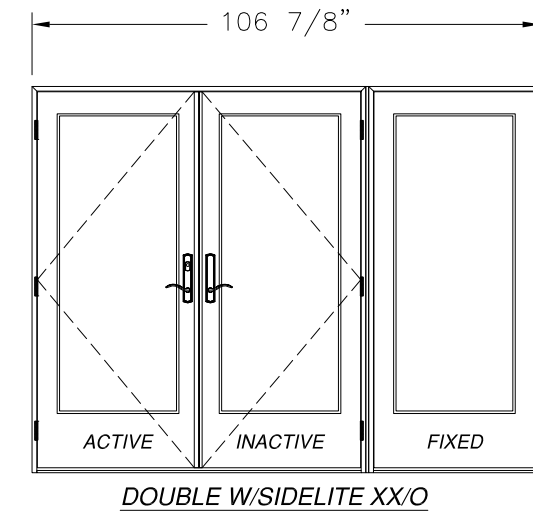
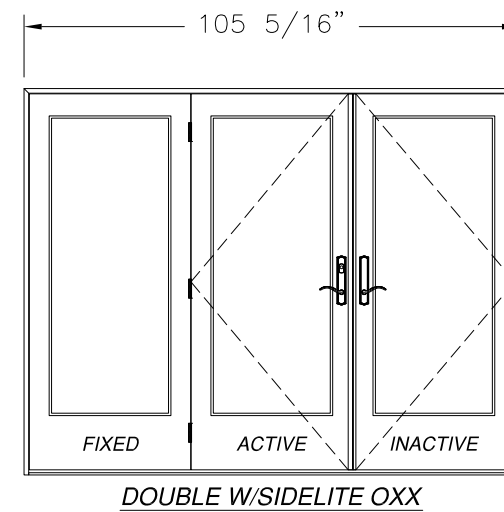
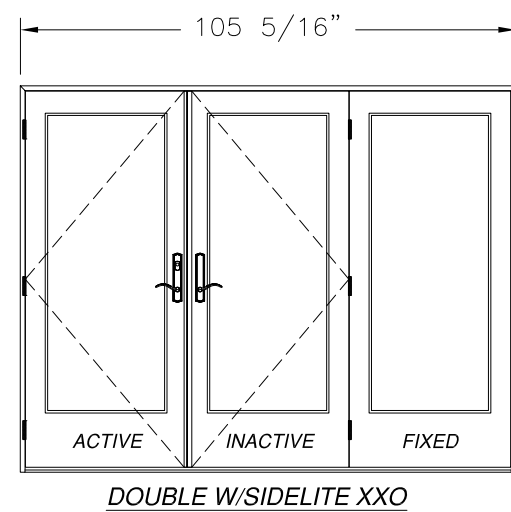
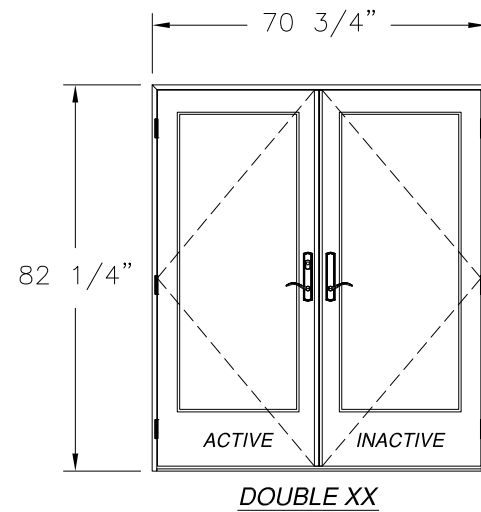
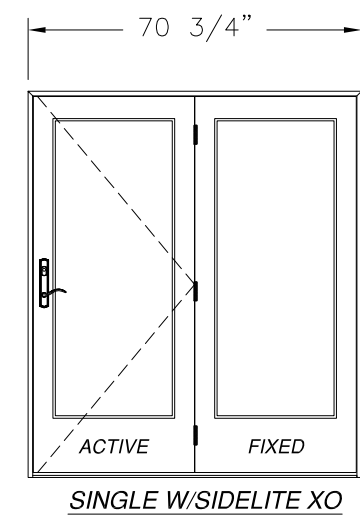
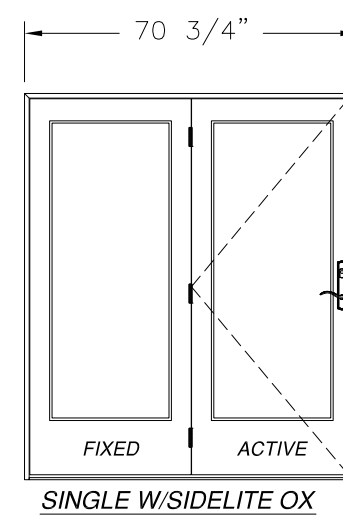
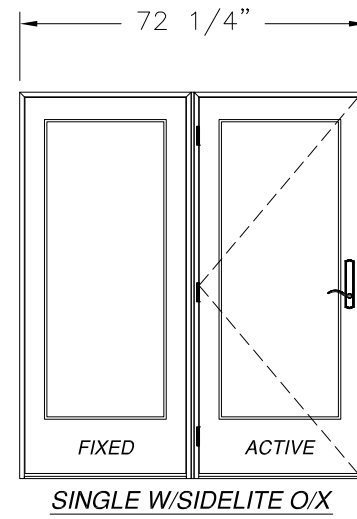
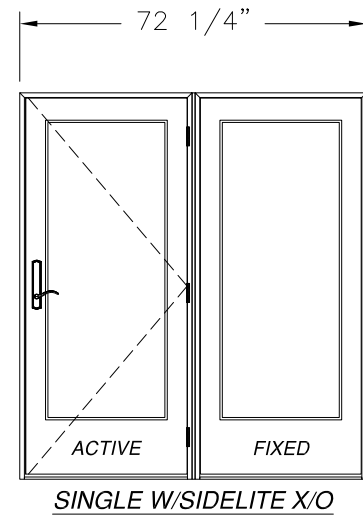
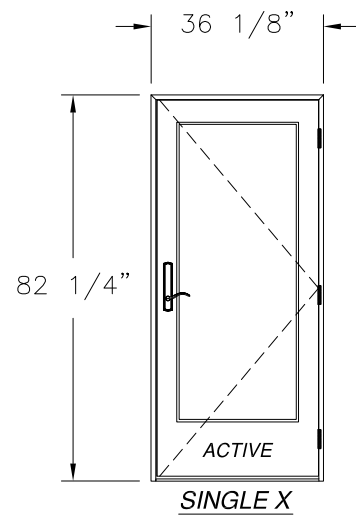
L. ROBERTO LOMAS P.E.
1432 WOODFORD RD LEWISVILLE, NC 27023
434-688-0609 rllomas@rlomaspe.com

SIGNED: 12/17/2021



Luis R. Lomas P.E.
TX No.: 101889
Firm No: F-23130

REVISIONS			
REV	DESCRIPTION	DATE	APPROVED
C	REVISED PER NEW CODE	12/17/2021	R.L.



SIGNED: 12/17/2021

NAN YA PLASTICS CORP. USA
 8989 NORTH LOOP EAST
 HOUSTON, TX 77029

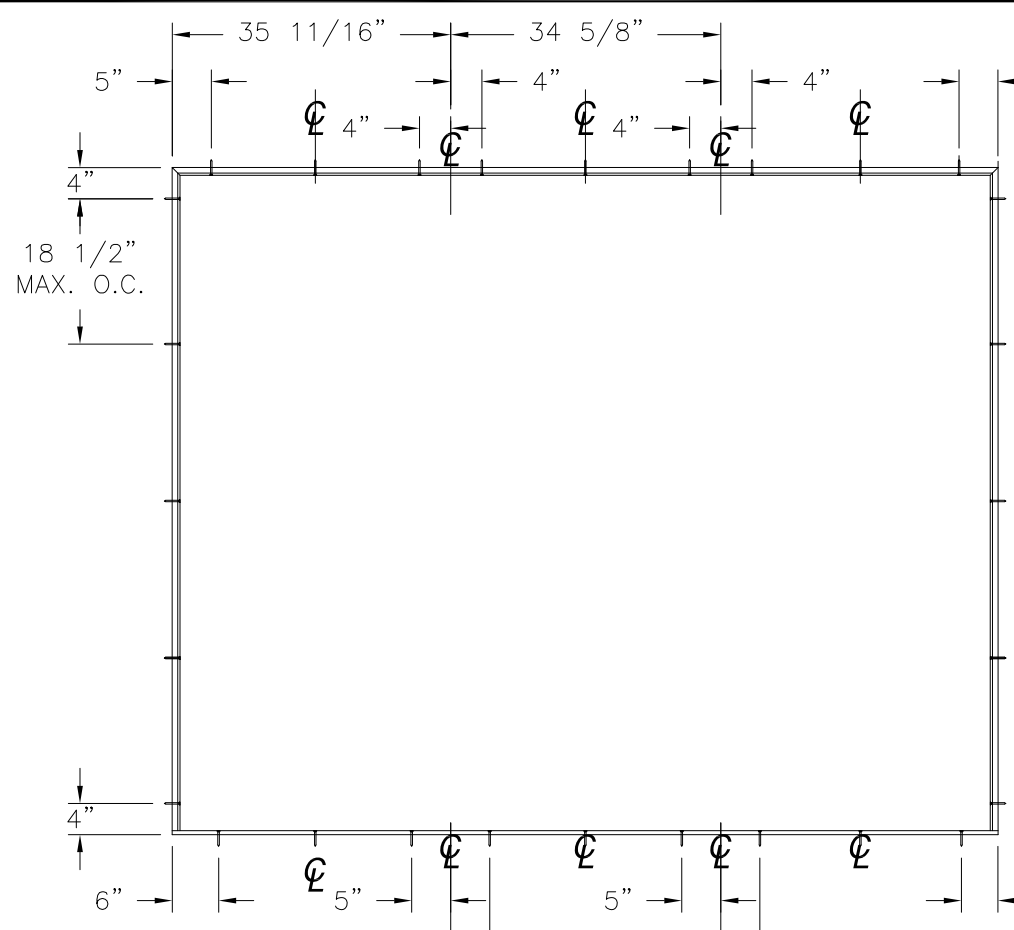
SERIES SLP OUT-SWING 6'11" PATIO DOOR
 NON-IMPACT
 ADDITIONAL APPROVED CONFIGURATIONS

DRAWN: V.L.	DWG NO. 08-02432	REV C
SCALE NTS	DATE 08/14/14	SHEET 3 OF 12

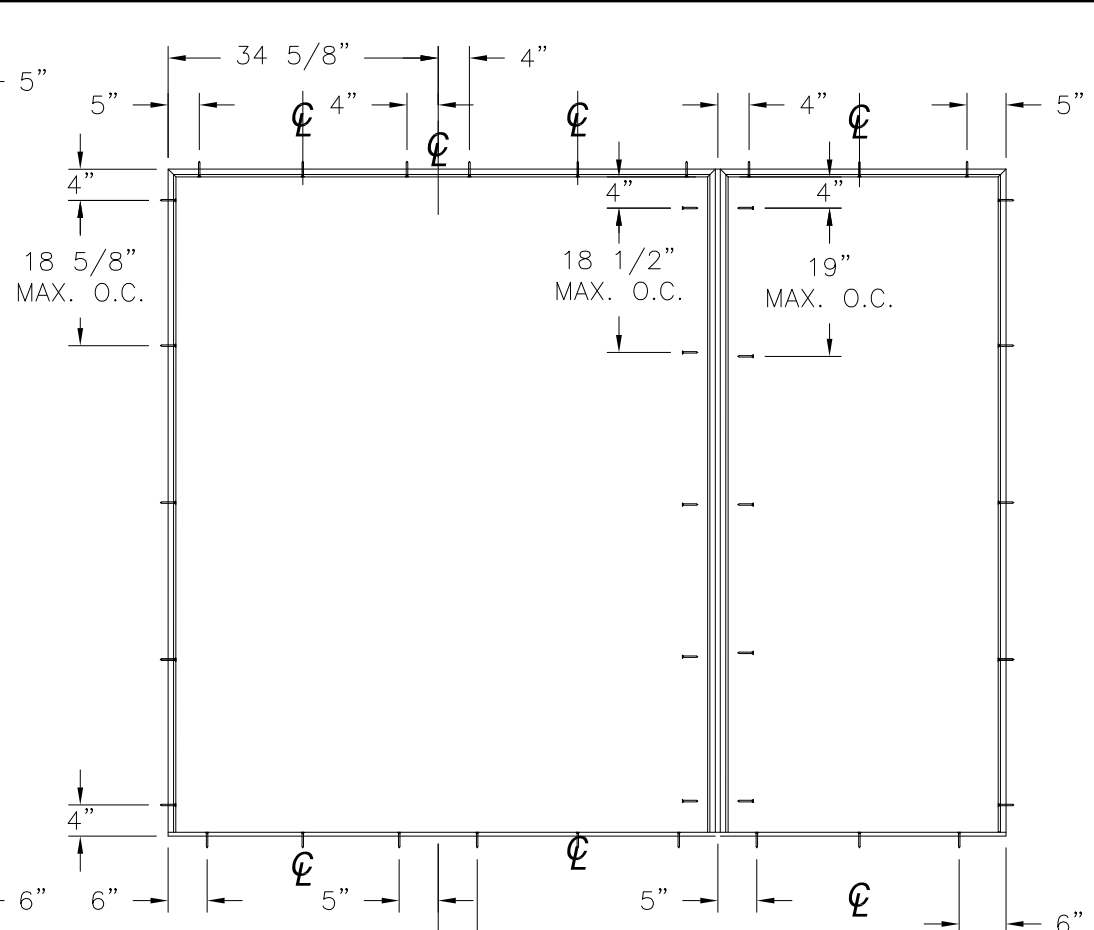
L. ROBERTO LOMAS P.E.
 1432 WOODFORD RD LEWISVILLE, NC 27023
 434-688-0609 rllomas@rlomaspe.com



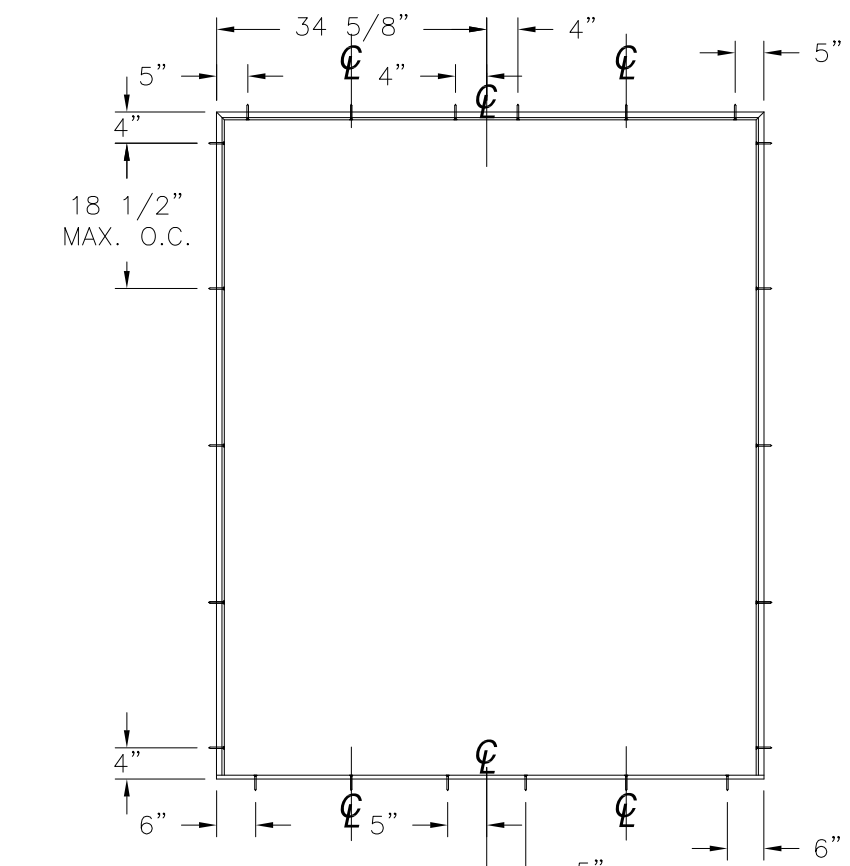
Luis R. Lomas P.E.
 TX No.: 101889
 Firm No: F-23130



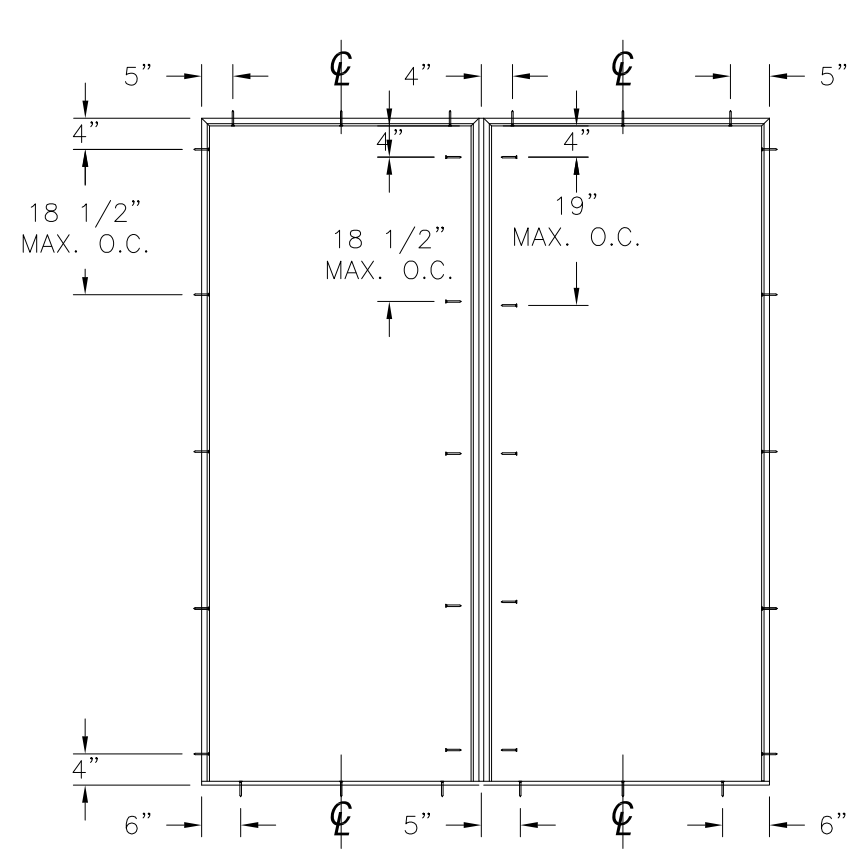
ANCHORING LAYOUT FOR OXO, XXO AND OXX



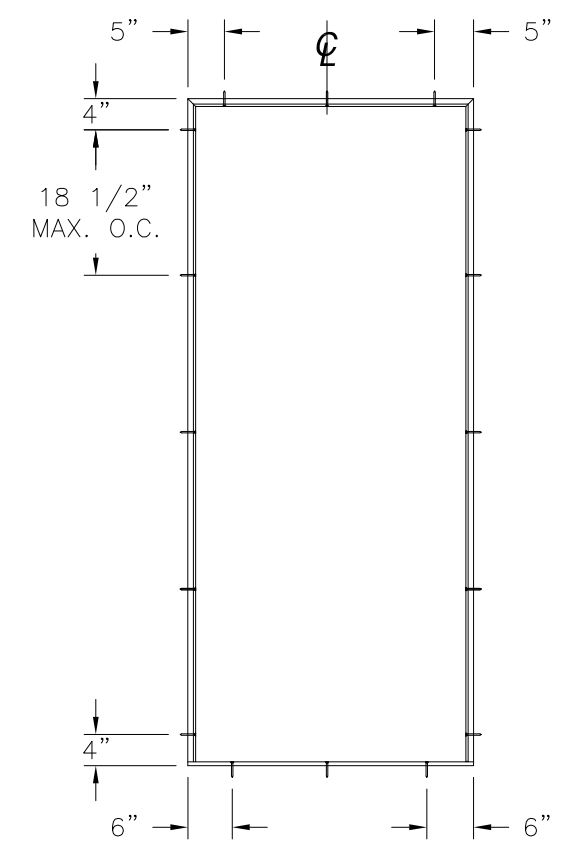
ANCHORING LAYOUT FOR OX/O, O/XO, XX/O AND O/XX



ANCHORING LAYOUT FOR XX, OX AND XO



ANCHORING LAYOUT FOR O/X AND X/O



ANCHORING LAYOUT FOR X

REVISIONS			
REV	DESCRIPTION	DATE	APPROVED
C	REVISED PER NEW CODE	12/17/2021	R.L.

NAN YA PLASTICS CORP. USA
 8989 NORTH LOOP EAST
 HOUSTON, TX 77029

SERIES SLP OUT-SWING 6'11" PATIO DOOR
 NON-IMPACT
 ANCHORING LAYOUTS

DRAWN: V.L.	DWG NO. 08-02432	REV C
SCALE NTS	DATE 08/14/14	SHEET 4 OF 12

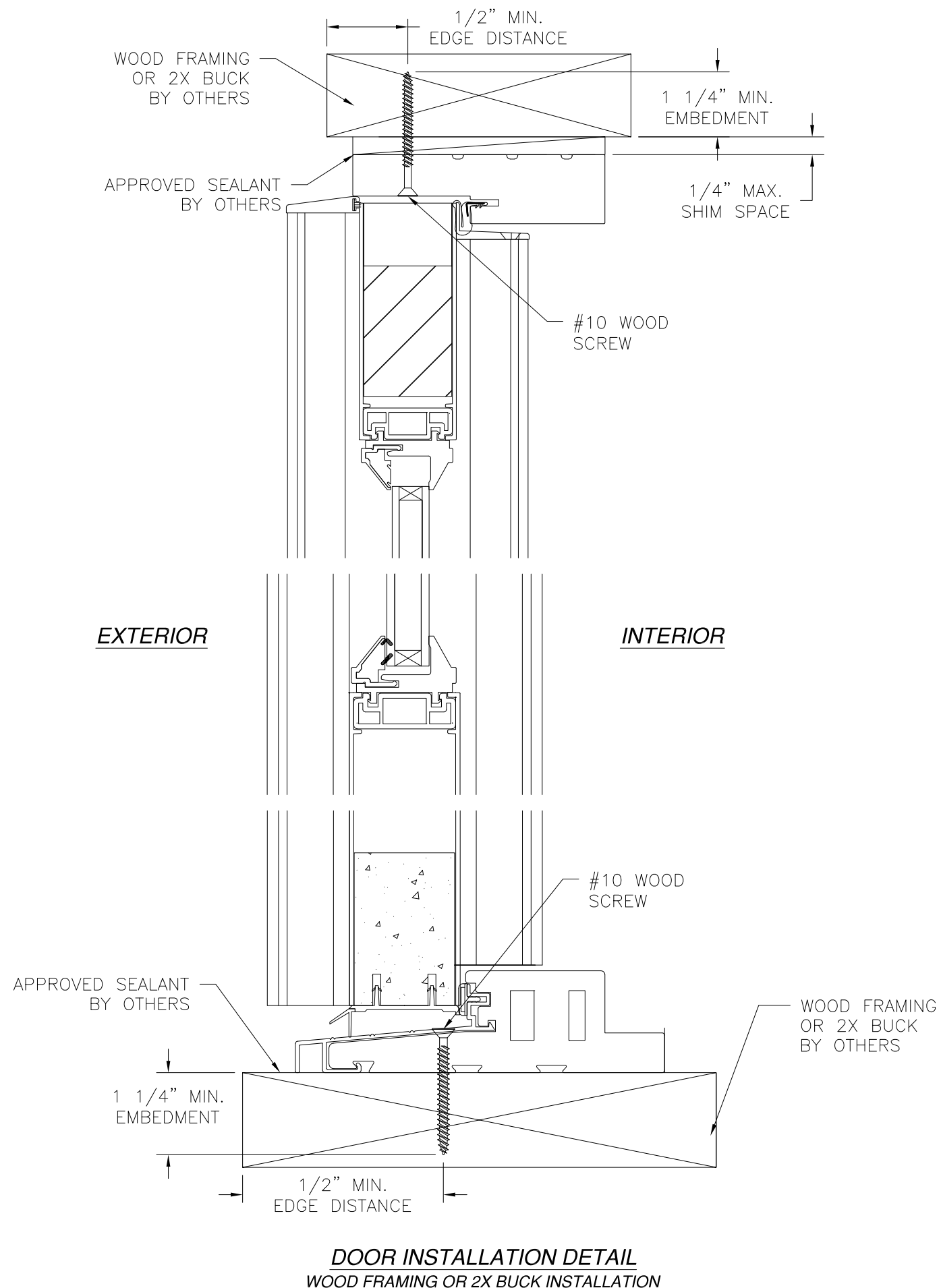
L. ROBERTO LOMAS P.E.
 1432 WOODFORD RD LEWISVILLE, NC 27023
 434-688-0609 rllomas@rlomaspe.com

SIGNED: 12/17/2021

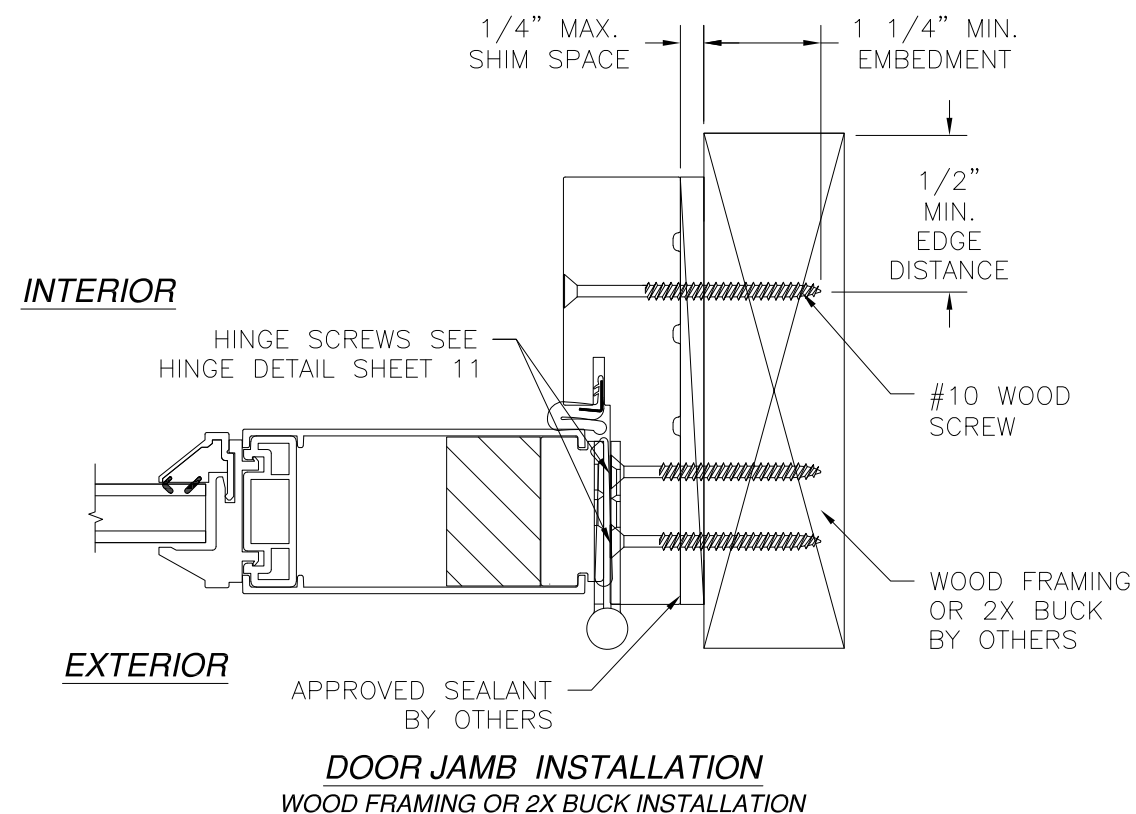


Luis R. Lomas P.E.
 TX No.: 101889
 Firm No: F-23130

REVISIONS			
REV	DESCRIPTION	DATE	APPROVED
C	REVISED PER NEW CODE	12/17/2021	R.L.



DOOR INSTALLATION DETAIL
WOOD FRAMING OR 2X BUCK INSTALLATION



NOTES:

1. INTERIOR AND EXTERIOR FINISHES, BY OTHERS, NOT SHOWN FOR CLARITY.
2. PERIMETER AND JOINT SEALANT BY OTHERS TO BE DESIGNED IN ACCORDANCE WITH ASTM E2112

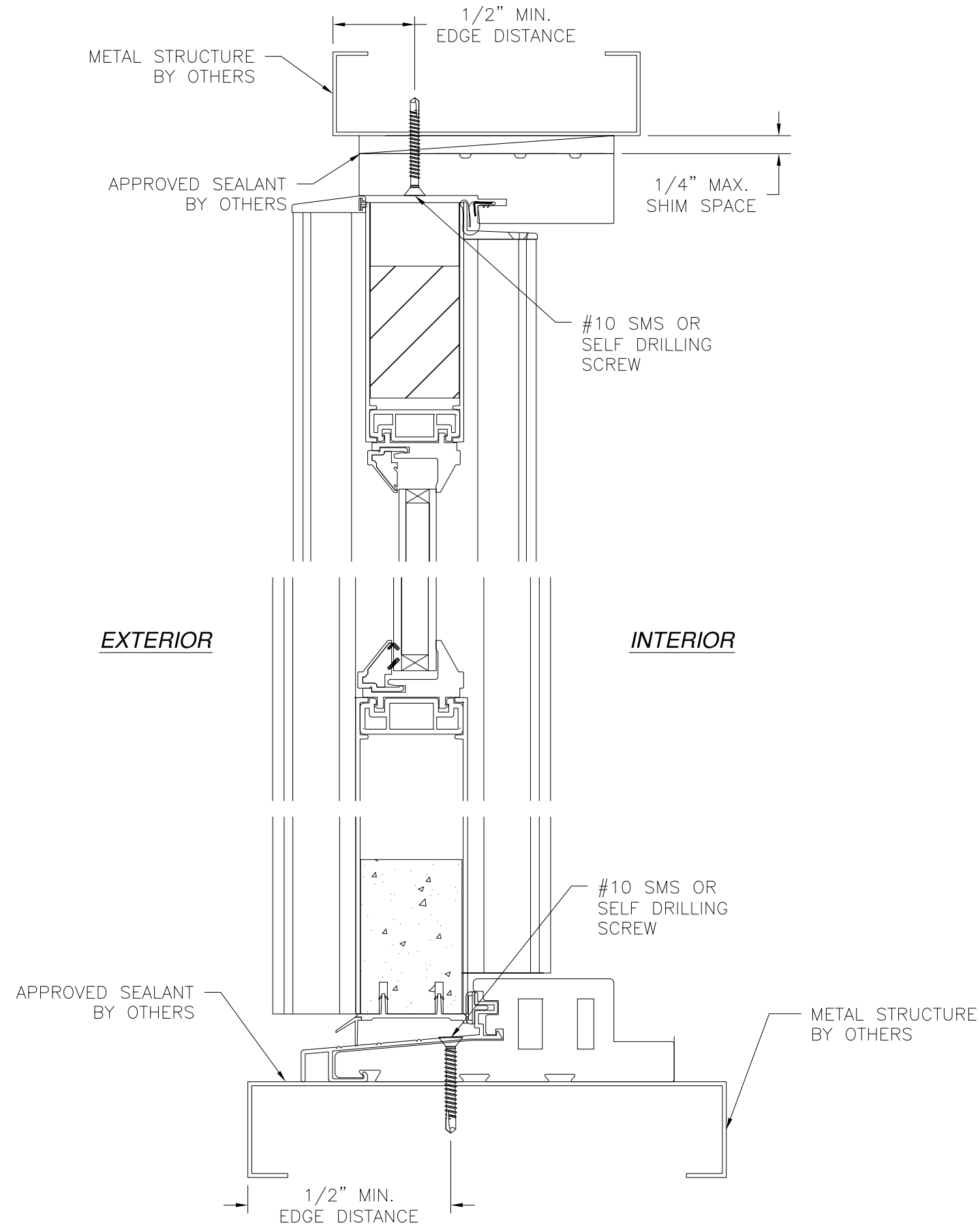
SIGNED: 12/17/2021

<p>NAN YA PLASTICS CORP. USA 8989 NORTH LOOP EAST HOUSTON, TX 77029</p>		
<p>SERIES SLP OUT-SWING 6'11" PATIO DOOR NON-IMPACT DOOR INSTALLATION DETAILS</p>		
DRAWN: V.L.	DWG NO. 08-02432	REV C
SCALE NTS	DATE 08/14/14	SHEET 5 OF 12
<p>L. ROBERTO LOMAS P.E. 1432 WOODFORD RD LEWISVILLE, NC 27023 434-688-0609 rllomas@lrlomaspe.com</p>		

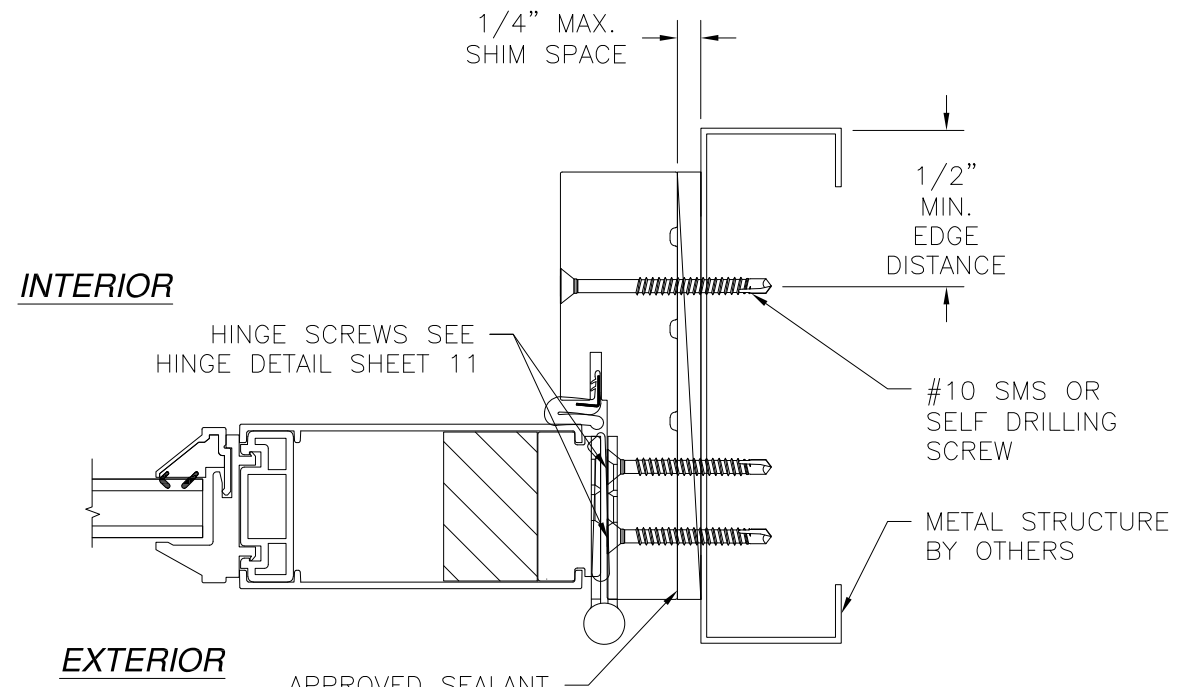


Luis R. Lomas P.E.
TX No.: 101889
Firm No: F-23130

REVISIONS			
REV	DESCRIPTION	DATE	APPROVED
C	REVISED PER NEW CODE	12/17/2021	R.L.



DOOR INSTALLATION DETAIL
METAL STRUCTURE INSTALLATION



DOOR JAMB INSTALLATION
METAL STRUCTURE INSTALLATION

- NOTES:**
1. INTERIOR AND EXTERIOR FINISHES, BY OTHERS, NOT SHOWN FOR CLARITY.
 2. PERIMETER AND JOINT SEALANT BY OTHERS TO BE DESIGNED IN ACCORDANCE WITH ASTM E2112

SIGNED: 12/17/2021

NAN YA PLASTICS CORP. USA
8989 NORTH LOOP EAST
HOUSTON, TX 77029

SERIES SLP OUT-SWING 6'11" PATIO DOOR
NON-IMPACT
DOOR INSTALLATION DETAILS

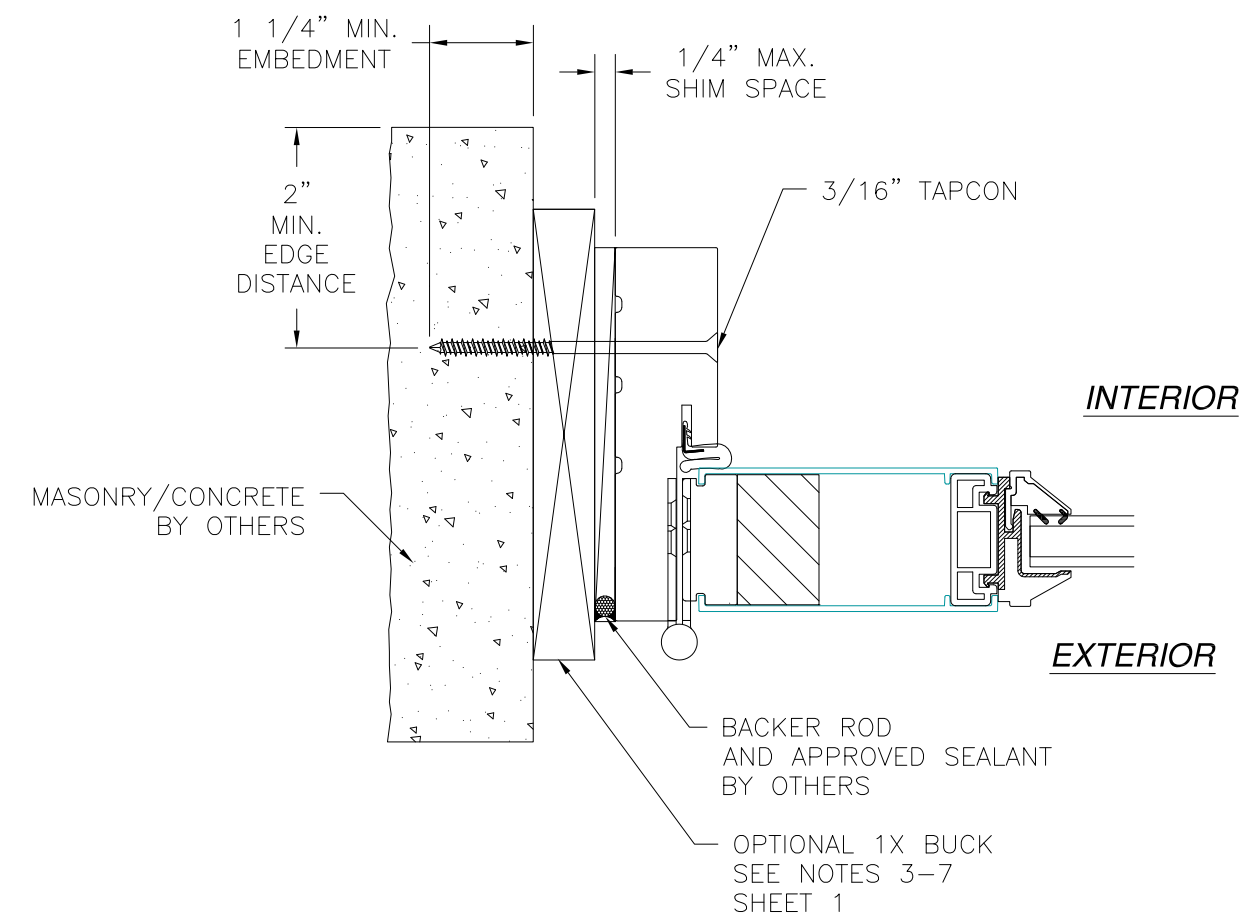
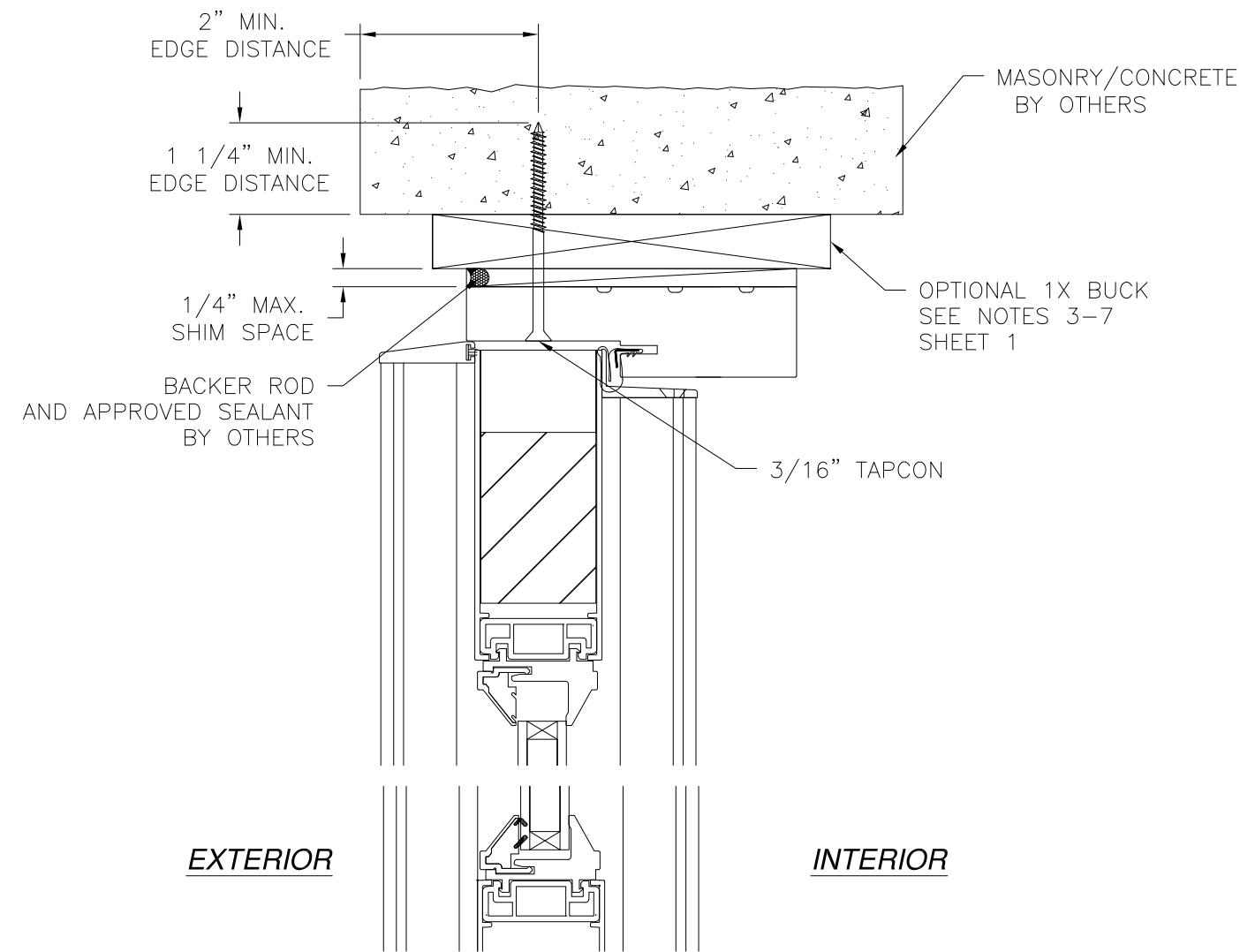
DRAWN: V.L.	DWG NO. 08-02432	REV C
SCALE NTS	DATE 08/14/14	SHEET 6 OF 12

L. ROBERTO LOMAS P.E.
1432 WOODFORD RD LEWISVILLE, NC 27023
434-688-0609 rllomas@rlomaspe.com



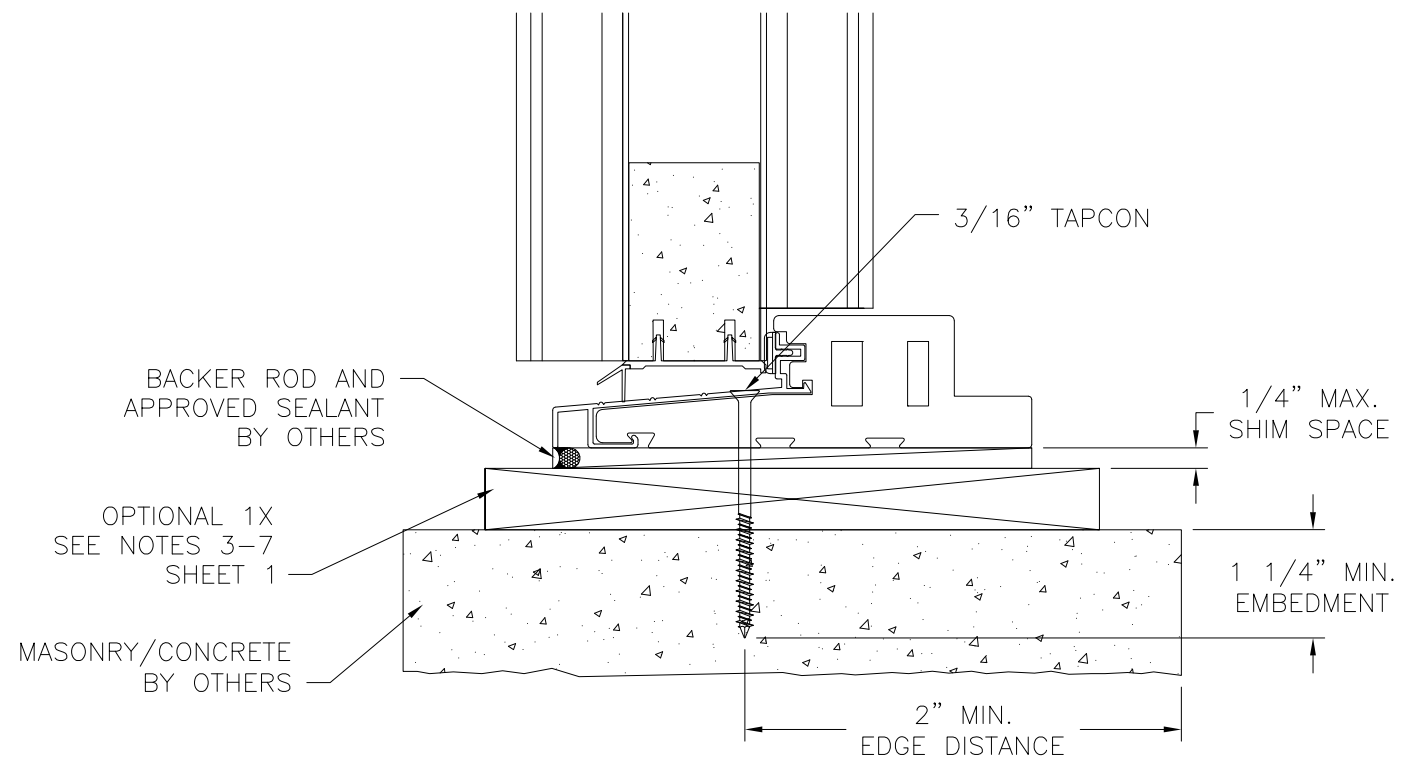
Luis R. Lomas P.E.
TX No.: 101889
Firm No: F-23130

REVISIONS			
REV	DESCRIPTION	DATE	APPROVED
C	REVISED PER NEW CODE	12/17/2021	R.L.



DOOR JAMB INSTALLATION DETAIL
MASONRY/CONCRETE INSTALLATION

- NOTES:**
1. INTERIOR AND EXTERIOR FINISHES, BY OTHERS, NOT SHOWN FOR CLARITY.
 2. PERIMETER AND JOINT SEALANT BY OTHERS TO BE DESIGNED IN ACCORDANCE WITH ASTM E2112



DOOR INSTALLATION DETAIL
MASONRY/CONCRETE INSTALLATION

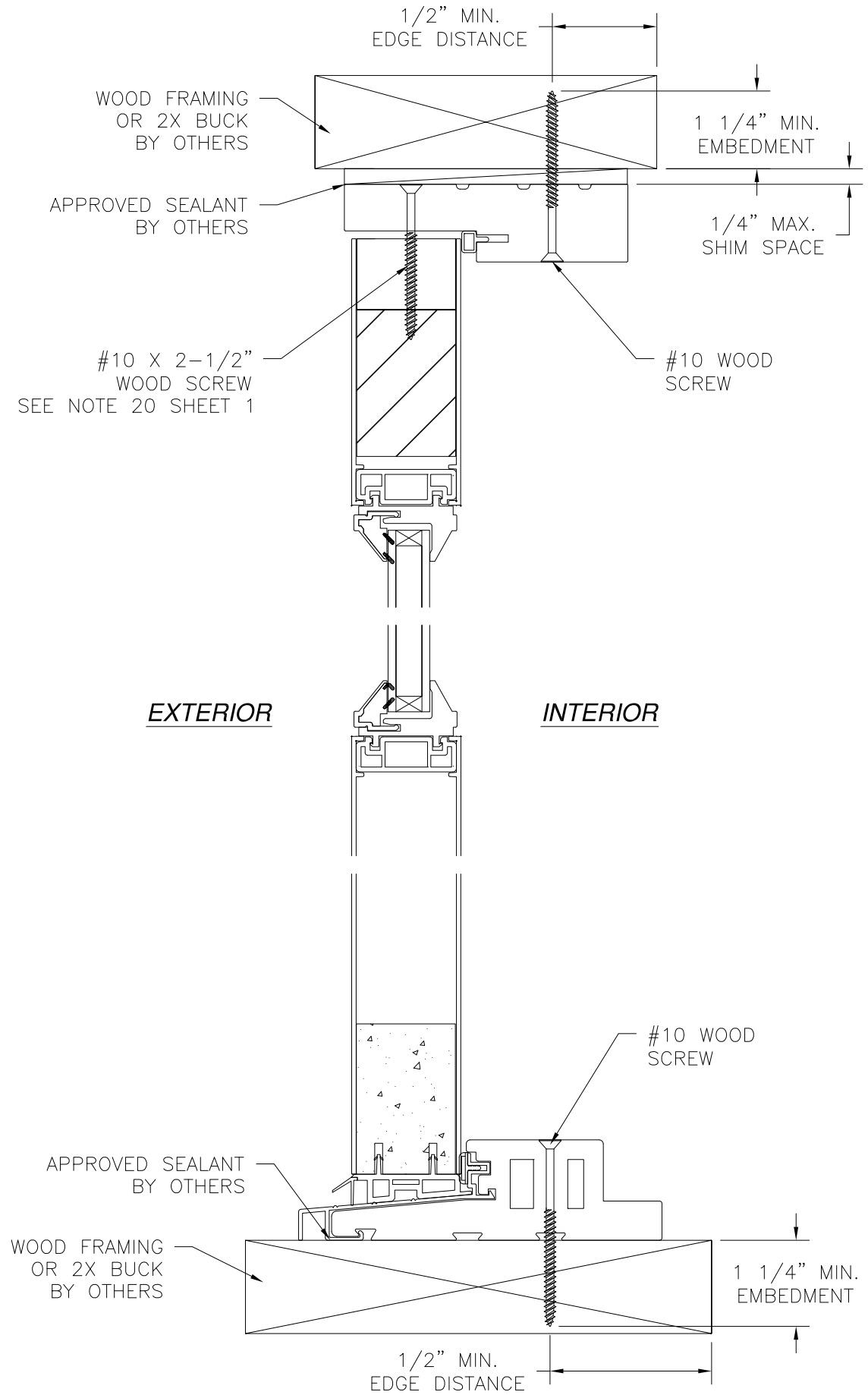
SIGNED: 12/17/2021

<p>NAN YA PLASTICS CORP. USA 8989 NORTH LOOP EAST HOUSTON, TX 77029</p>		
<p>SERIES SLP OUT-SWING 6'11" PATIO DOOR NON-IMPACT DOOR INSTALLATION DETAILS</p>		
<p>DRAWN: V.L.</p>	<p>DWG NO. 08-02432</p>	<p>REV C</p>
<p>SCALE NTS</p>	<p>DATE 08/14/14</p>	<p>SHEET 7 OF 12</p>
<p>L. ROBERTO LOMAS P.E. 1432 WOODFORD RD LEWISVILLE, NC 27023 434-688-0609 rllomas@rlomaspe.com</p>		

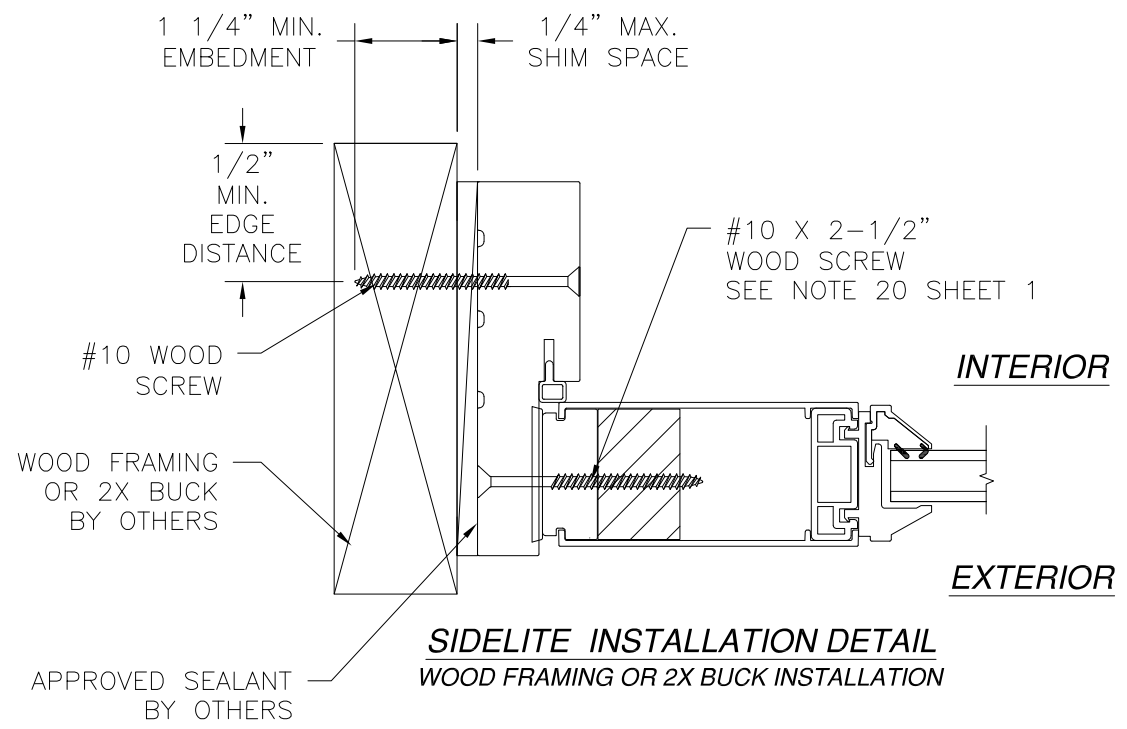


Luis R. Lomas P.E.
TX No.: 101889
Firm No: F-23130

REVISIONS			
REV	DESCRIPTION	DATE	APPROVED
C	REVISED PER NEW CODE	12/17/2021	R.L.



SIDELITE INSTALLATION DETAIL
WOOD FRAMING OR 2X BUCK INSTALLATION



SIDELITE INSTALLATION DETAIL
WOOD FRAMING OR 2X BUCK INSTALLATION

- NOTES:**
1. INTERIOR AND EXTERIOR FINISHES, BY OTHERS, NOT SHOWN FOR CLARITY.
 2. PERIMETER AND JOINT SEALANT BY OTHERS TO BE DESIGNED IN ACCORDANCE WITH ASTM E2112

SIGNED: 12/17/2021

NAN YA PLASTICS CORP. USA
8989 NORTH LOOP EAST
HOUSTON, TX 77029

SERIES SLP OUT-SWING 6'11" PATIO DOOR
NON-IMPACT
SIDELITE INSTALLATION DETAILS

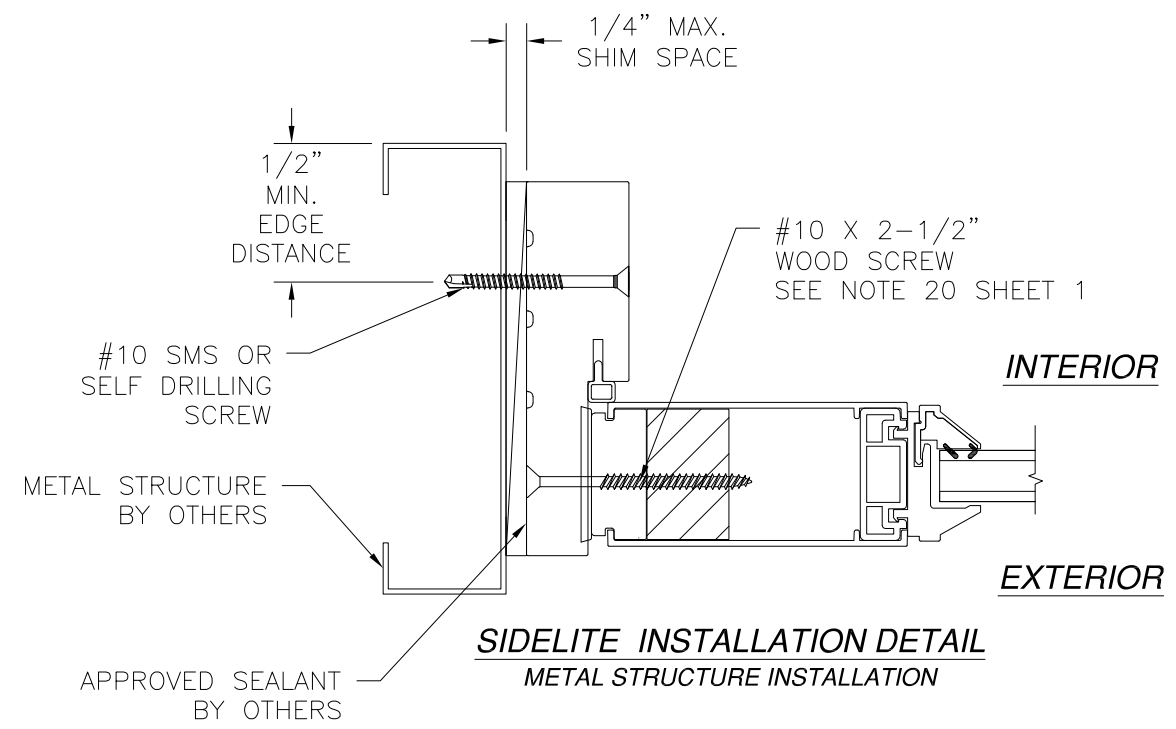
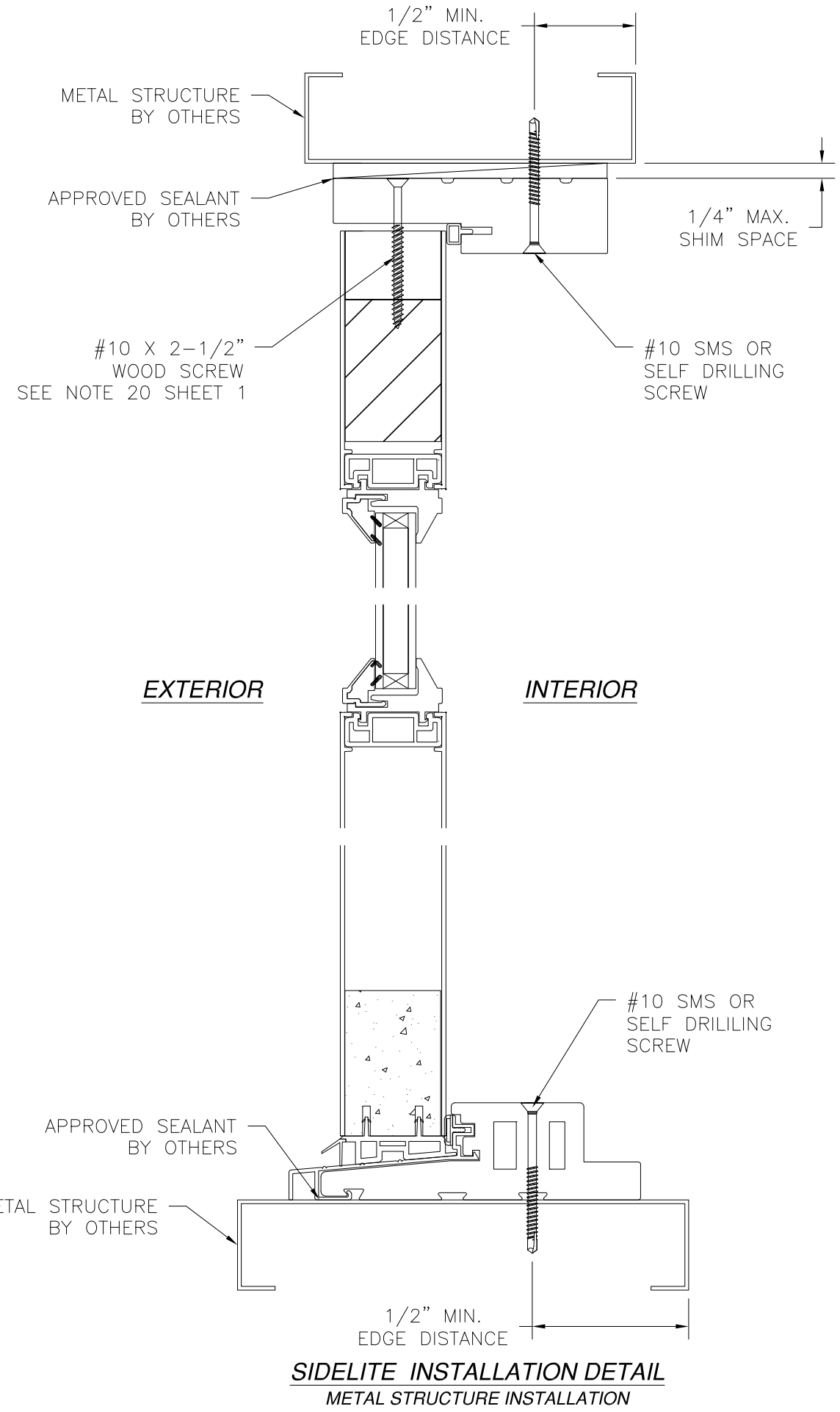
DRAWN: V.L.	DWG NO. 08-02432	REV C
SCALE NTS	DATE 08/14/14	SHEET 8 OF 12

L. ROBERTO LOMAS P.E.
1432 WOODFORD RD LEWISVILLE, NC 27023
434-688-0609 rllomas@rlomaspe.com



Luis R. Lomas P.E.
TX No.: 101889
Firm No: F-23130

REVISIONS			
REV	DESCRIPTION	DATE	APPROVED
C	REVISED PER NEW CODE	12/17/2021	R.L.



- NOTES:
1. INTERIOR AND EXTERIOR FINISHES, BY OTHERS, NOT SHOWN FOR CLARITY.
 2. PERIMETER AND JOINT SEALANT BY OTHERS TO BE DESIGNED IN ACCORDANCE WITH ASTM E2112

SIGNED: 12/17/2021

NAN YA PLASTICS CORP. USA
 8989 NORTH LOOP EAST
 HOUSTON, TX 77029

SERIES SLP OUT-SWING 6'11" PATIO DOOR
 NON-IMPACT
 SIDELITE INSTALLATION DETAILS

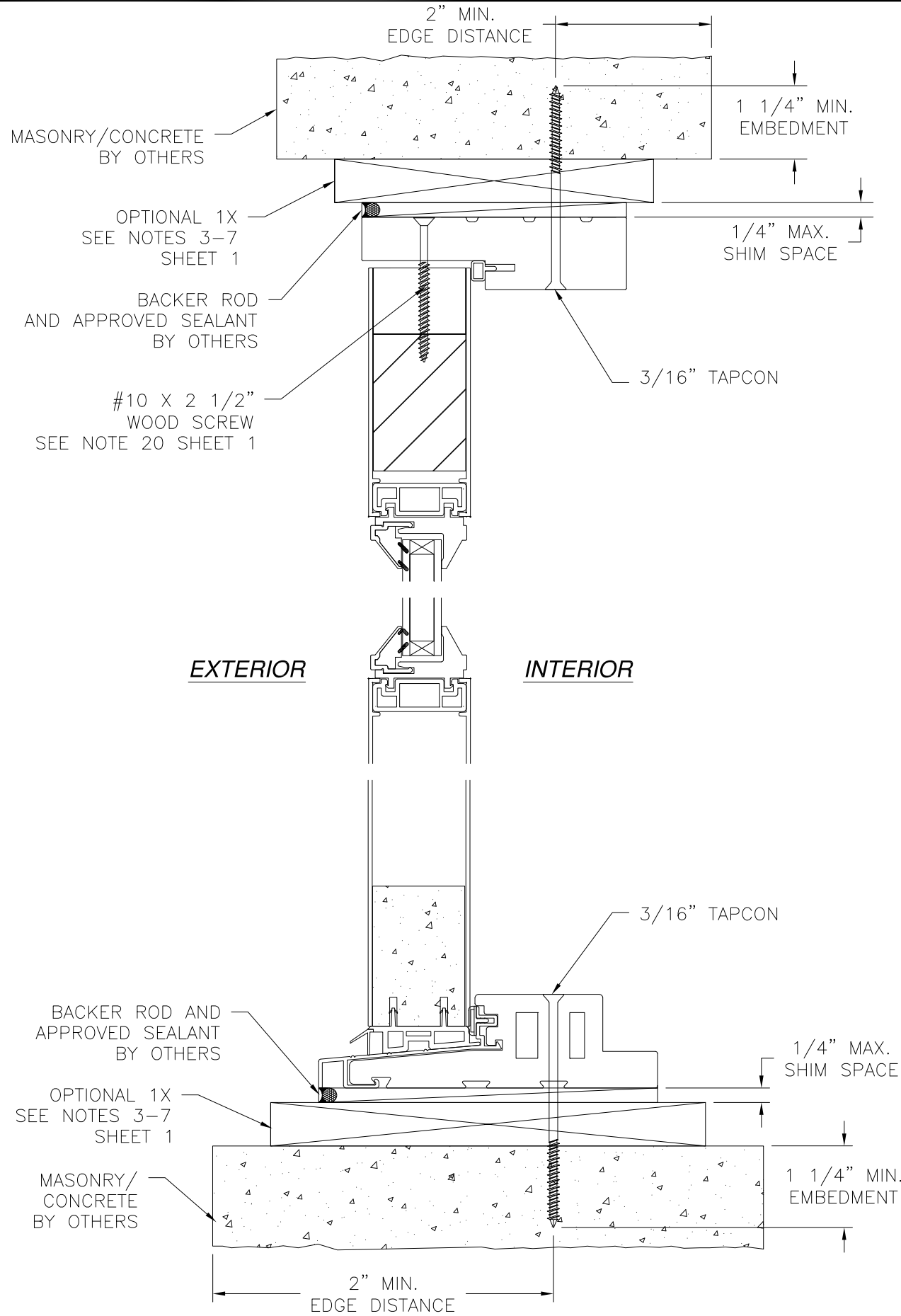
DRAWN: V.L.	DWG NO. 08-02432	REV C
SCALE NTS	DATE 08/14/14	SHEET 9 OF 12

L. ROBERTO LOMAS P.E.
 1432 WOODFORD RD LEWISVILLE, NC 27023
 434-688-0609 rllomas@rlomaspe.com

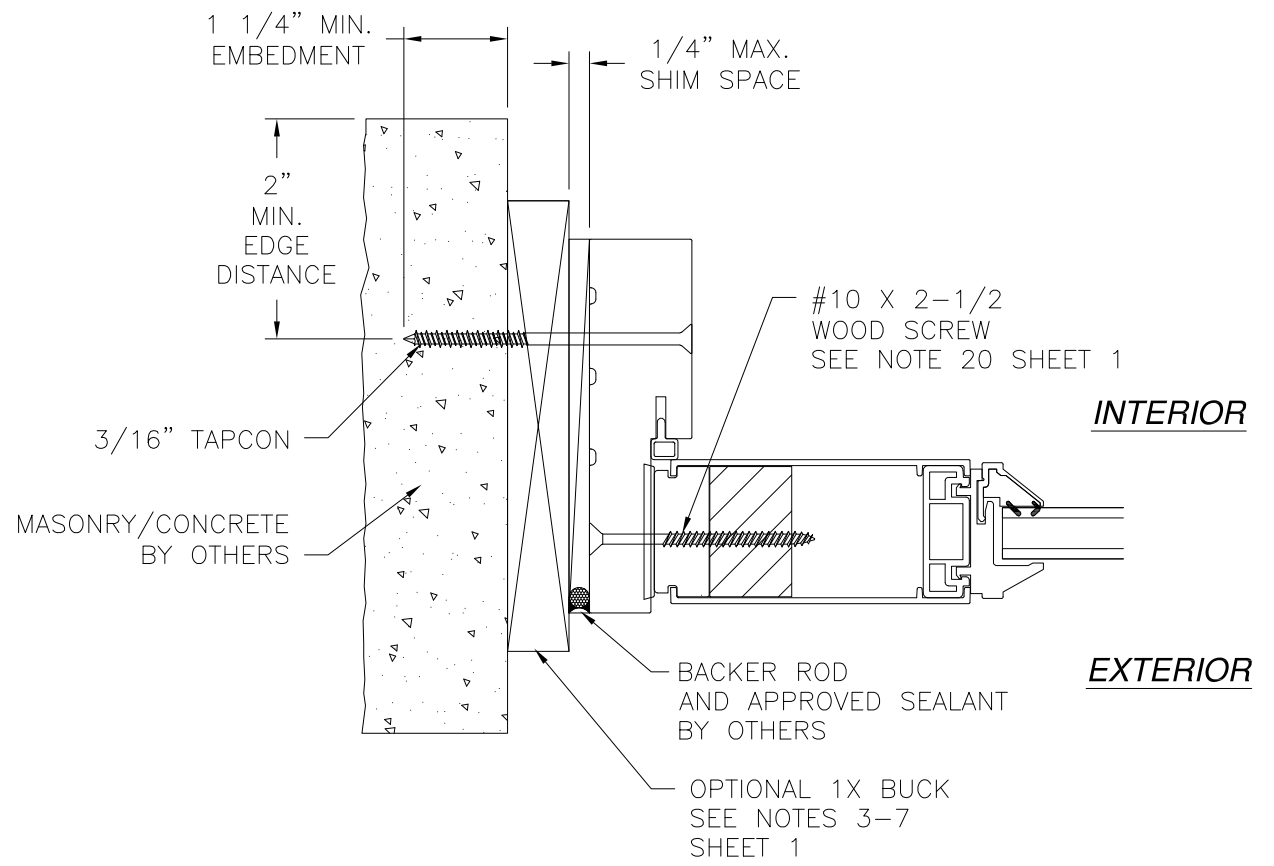


Luis R. Lomas P.E.
 TX No.: 101889
 Firm No: F-23130

REVISIONS			
REV	DESCRIPTION	DATE	APPROVED
C	REVISED PER NEW CODE	12/17/2021	R.L.



SIDELITE INSTALLATION DETAIL
MASONRY/CONCRETE INSTALLATION



SIDELITE JAMB INSTALLATION DETAIL
MASONRY/CONCRETE INSTALLATION

- NOTES:**
1. INTERIOR AND EXTERIOR FINISHES, BY OTHERS, NOT SHOWN FOR CLARITY.
 2. PERIMETER AND JOINT SEALANT BY OTHERS TO BE DESIGNED IN ACCORDANCE WITH ASTM E2112

SIGNED: 12/17/2021

NAN YA PLASTICS CORP. USA
8989 NORTH LOOP EAST
HOUSTON, TX 77029

SERIES SLP OUT-SWING 6'11" PATIO DOOR
NON-IMPACT
SIDELITE INSTALLATION DETAILS

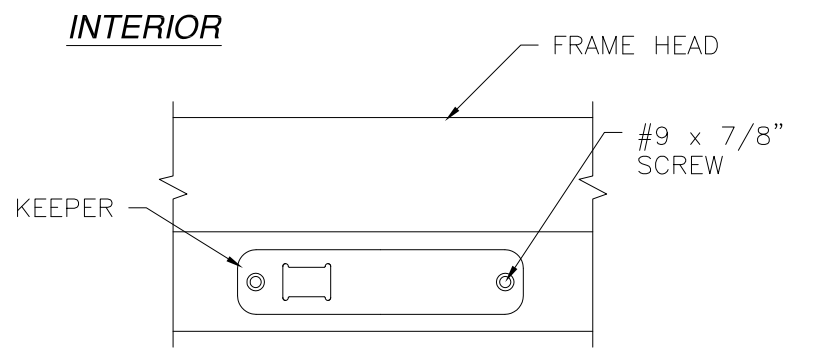
DRAWN: V.L.	DWG NO. 08-02432	REV C
SCALE NTS	DATE 08/14/14	SHEET 10 OF 12

L. ROBERTO LOMAS P.E.
1432 WOODFORD RD LEWISVILLE, NC 27023
434-688-0609 rllomas@rlomaspe.com



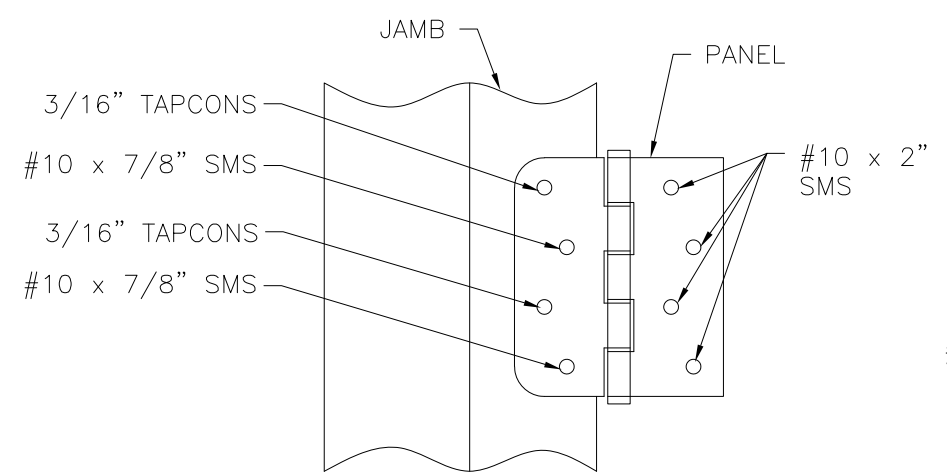
Luis R. Lomas P.E.
TX No.: 101889
Firm No: F-23130

REVISIONS			
REV	DESCRIPTION	DATE	APPROVED
C	REVISED PER NEW CODE	12/17/2021	R.L.

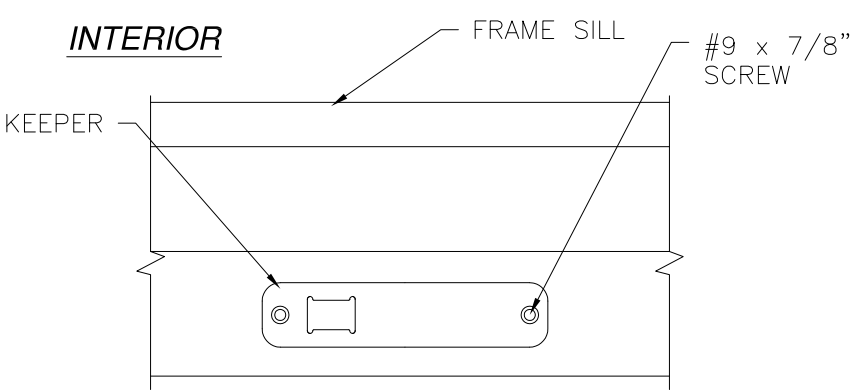


EXTERIOR

HEAD KEEPER DETAIL

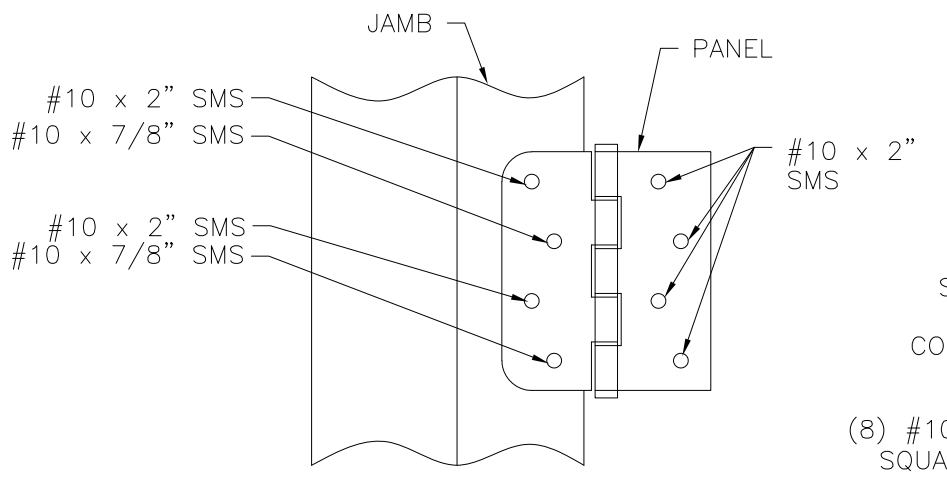


HINGE INSTALLATION DETAIL
MASONRY/CONCRETE INSTALLATION

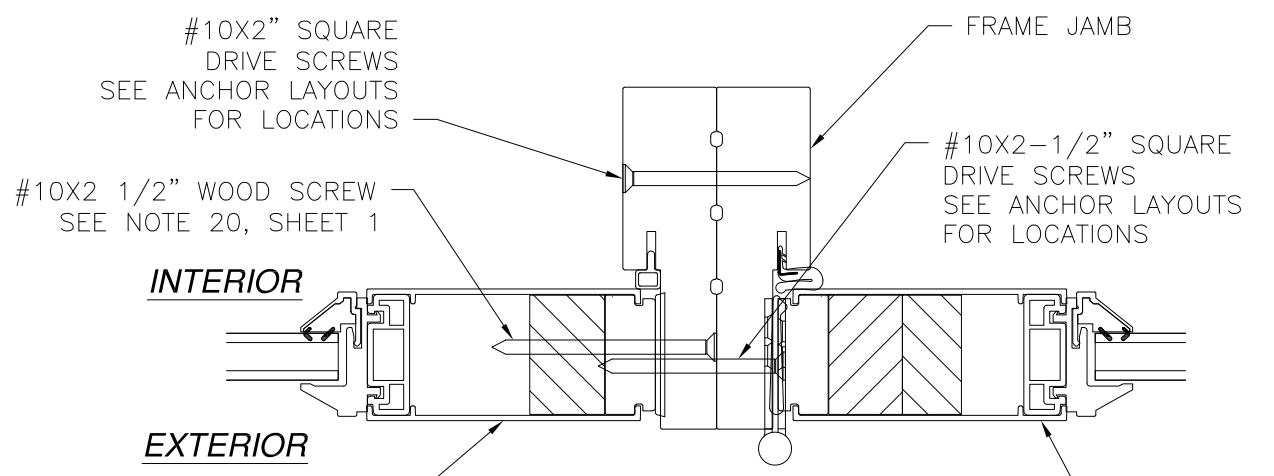


EXTERIOR

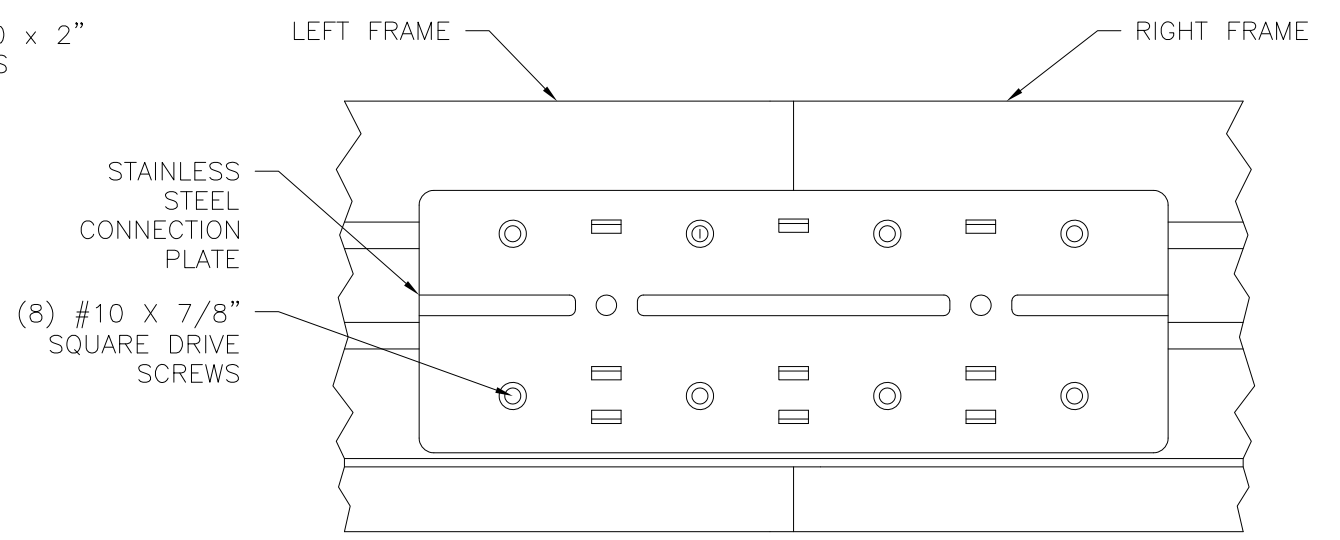
SILL KEEPER DETAIL



HINGE INSTALLATION DETAIL
WOOD FRAMING INSTALLATION

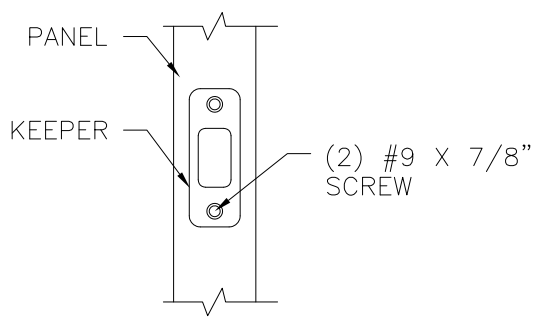


MULLION DETAIL

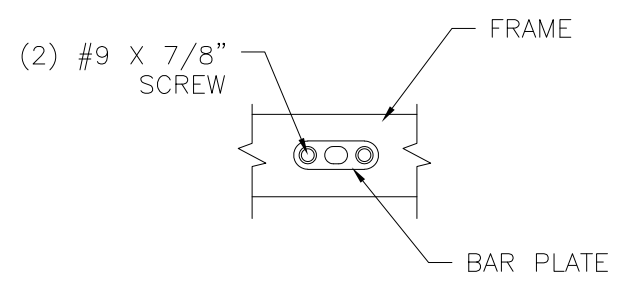


FRAME CONNECTION DETAIL

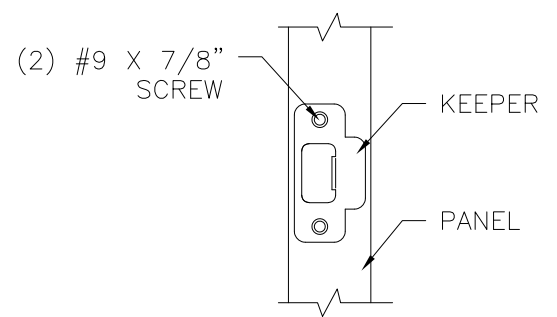
SIGNED: 12/17/2021



DEADBOLT KEEPER DETAIL



DRIVE BAR PLATE DETAIL



LATCH KEEPER DETAIL

NAN YA PLASTICS CORP. USA
8989 NORTH LOOP EAST
HOUSTON, TX 77029

SERIES SLP OUT-SWING 6'11" PATIO DOOR
NON-IMPACT
INSTALLATION DETAILS

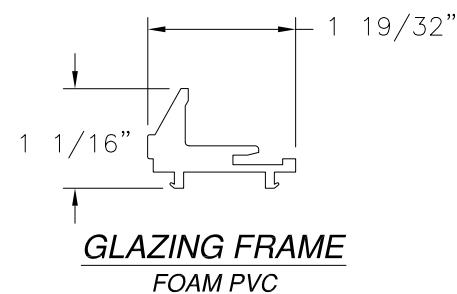
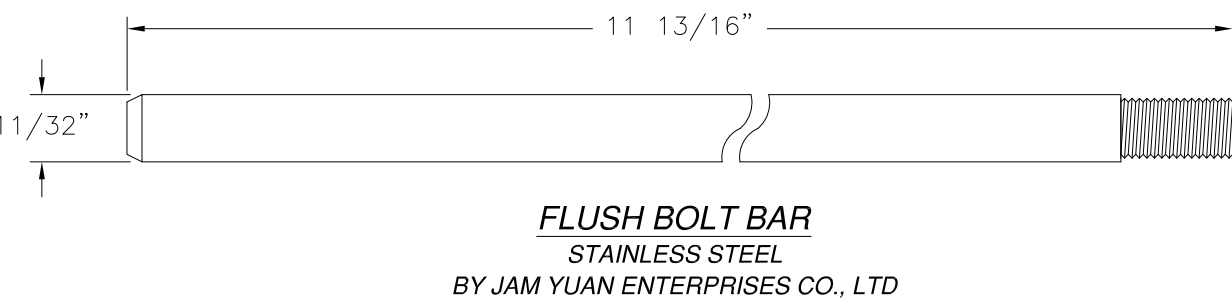
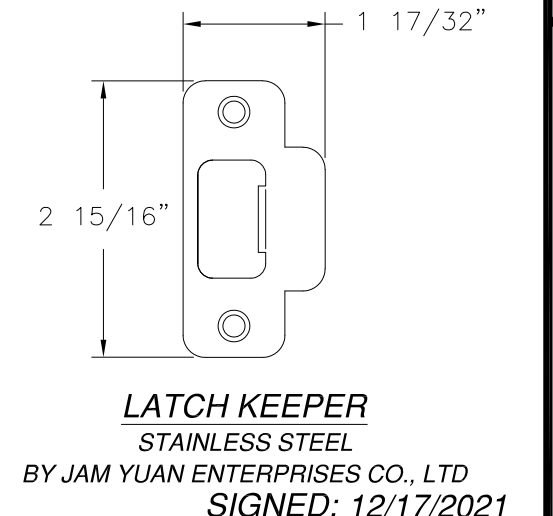
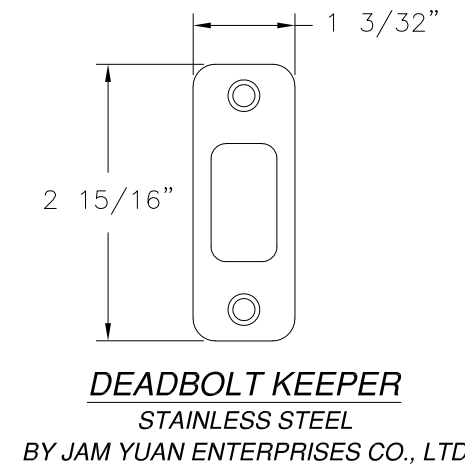
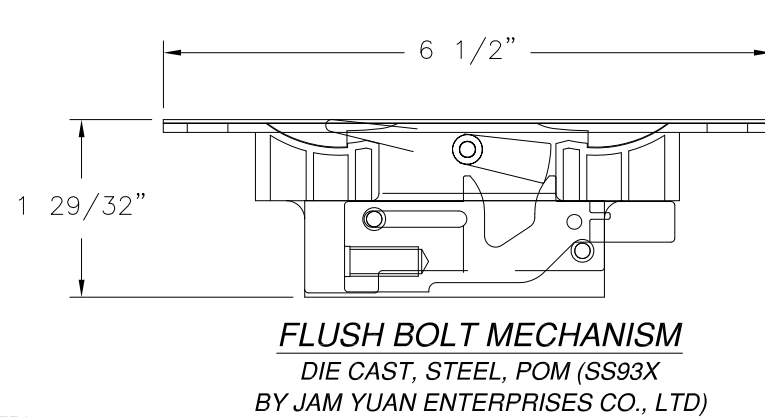
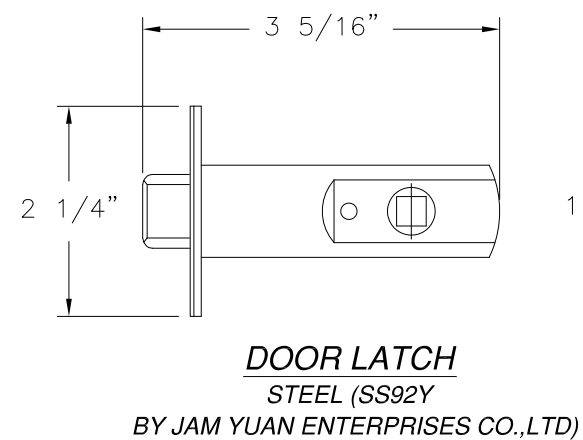
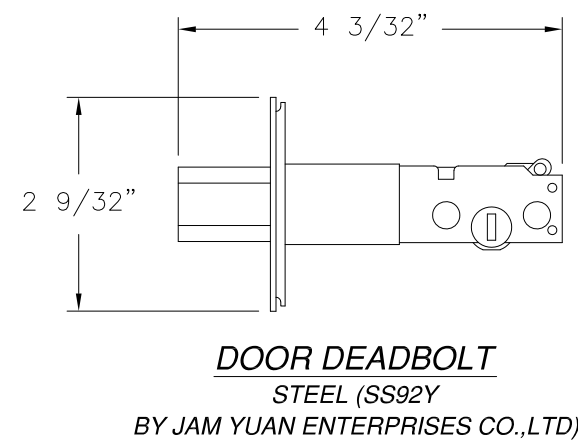
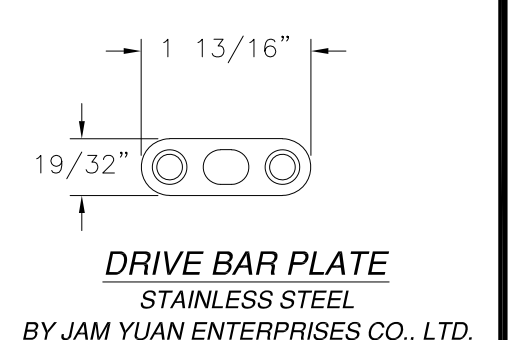
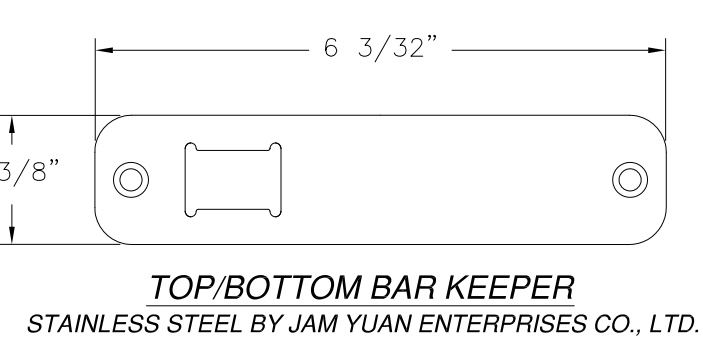
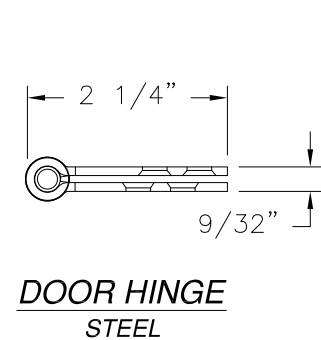
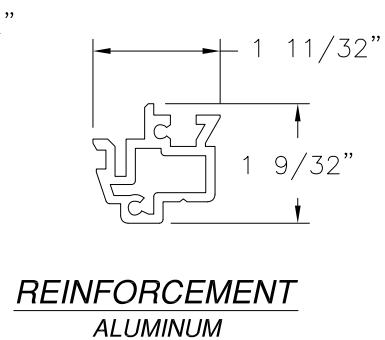
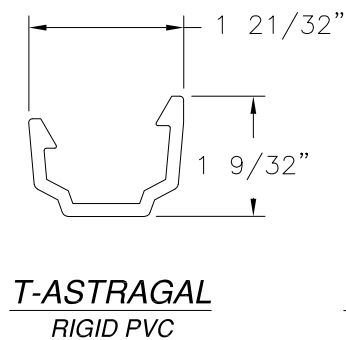
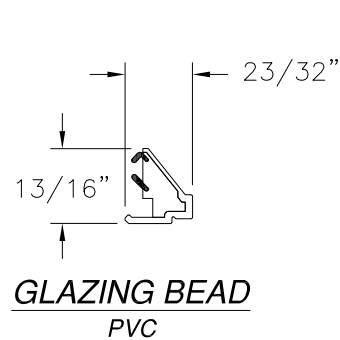
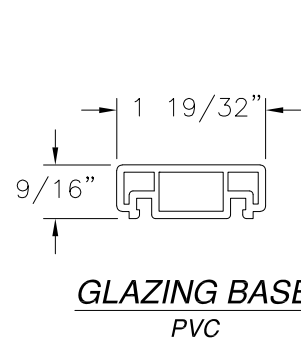
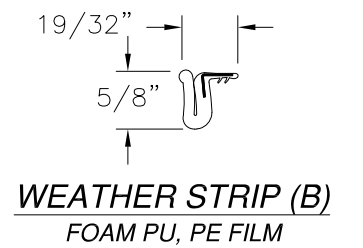
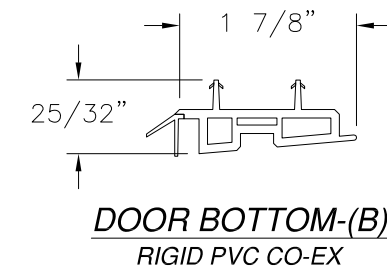
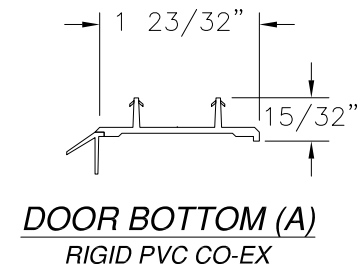
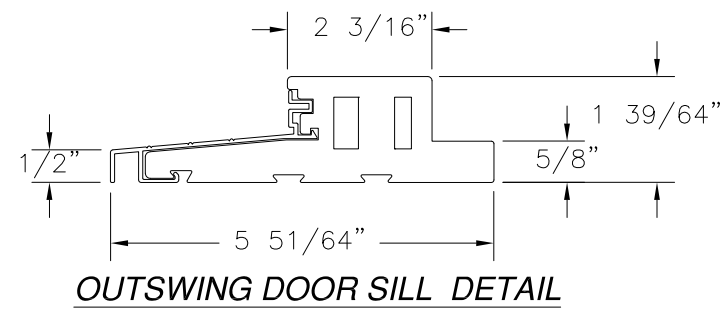
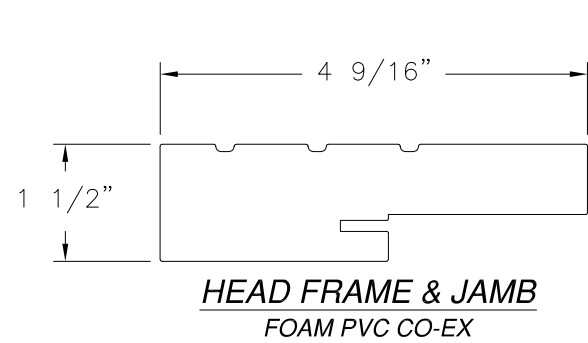
DRAWN: V.L.	DWG NO. 08-02432	REV C
SCALE NTS	DATE 08/14/14	SHEET 11 OF 12

L. ROBERTO LOMAS P.E.
1432 WOODFORD RD LEWISVILLE, NC 27023
434-688-0609 rllomas@rlomaspe.com



Luis R. Lomas P.E.
TX No.: 101889
Firm No: F-23130

REVISIONS			
REV	DESCRIPTION	DATE	APPROVED
C	REVISED PER NEW CODE	12/17/2021	R.L.



NAN YA PLASTICS CORP. USA
8989 NORTH LOOP EAST
HOUSTON, TX 77029

SERIES SLP OUT-SWING 6'11" PATIO DOOR
NON-IMPACT
COMPONENTS

DRAWN: V.L.	DWG NO. 08-02432	REV C
SCALE NTS	DATE 08/14/14	SHEET 12 OF 12

L. ROBERTO LOMAS P.E.
1432 WOODFORD RD LEWISVILLE, NC 27023
434-688-0609 rllomas@rlomaspe.com



Luis R. Lomas P.E.
TX No.: 101889
Firm No: F-23130