

REVISIONS			
REV	DESCRIPTION	DATE	APPROVED
A	REVISED PER NEW CODE	12/17/2021	R.L.

NOTES:

1. THE PRODUCT SHOWN HEREIN IS DESIGNED AND MANUFACTURED TO COMPLY WITH REQUIREMENTS OF THE 2018 IBC AND 2018 IRC.
2. WOOD FRAMING AND MASONRY OPENING TO BE DESIGNED AND ANCHORED TO PROPERLY TRANSFER ALL LOADS TO STRUCTURE. FRAMING AND MASONRY OPENING IS THE RESPONSIBILITY OF THE ARCHITECT OR ENGINEER OF RECORD.
3. 1X BUCK OVER MASONRY/CONCRETE IS OPTIONAL.
4. WHERE SHIM OR BUCK THICKNESS IS LESS THAN 1-1/2" WINDOW UNITS MUST BE ANCHORED THROUGH THE FRAME IN ACCORDANCE WITH MANUFACTURER'S PUBLISHED INSTALLATION INSTRUCTIONS. ANCHORS SHALL BE SECURELY FASTENED DIRECTLY INTO MASONRY, CONCRETE OR OTHER STRUCTURAL SUBSTRATE MATERIAL.
5. WHERE WOOD BUCK THICKNESS IS 1-1/2" OR GREATER, BUCK SHALL BE SECURELY FASTENED TO MASONRY, CONCRETE OR OTHER STRUCTURAL SUBSTRATE. WINDOW UNITS MAY BE ANCHORED THROUGH FRAME TO SECURED WOOD BUCK IN ACCORDANCE WITH MANUFACTURER'S PUBLISHED INSTALLATION INSTRUCTIONS.
6. WHERE 1X BUCK IS NOT USED DISSIMILAR MATERIALS MUST BE SEPARATED WITH APPROVED COATING OR MEMBRANE. SELECTION OF COATING OR MEMBRANE IS THE RESPONSIBILITY OF THE ARCHITECT OR ENGINEER OF RECORD.
7. BUCKS SHALL EXTEND BEYOND WINDOW INTERIOR FACE SO THAT FULL FRAME SUPPORT IS PROVIDED.
8. SHIM AS REQUIRED AT EACH ANCHOR LOCATION WITH LOAD BEARING SHIM. SHIM WHERE SPACE OF 1/16" OR GREATER OCCURS. MAXIMUM ALLOWABLE SHIM STACK TO BE 1/4".
9. SHIMS SHALL BE LOCATED, APPLIED AND MADE FROM MATERIALS AND THICKNESS CAPABLE OF SUSTAINING APPLICABLE LOADS.
10. WIND LOAD DURATION FACTOR Cd=1.6 WAS USED FOR WOOD ANCHOR CALCULATIONS.
11. FRAME MATERIAL: CO-EXTRUDED PVC FOAM.
12. UNITS MUST BE GLAZED WITH SAFETY GLASS PER ASTM E1300, WITH SAFETY GLAZING.
13. APPROVED IMPACT PROTECTIVE SYSTEM IS REQUIRED FOR THIS PRODUCT IN WIND BORNE DEBRIS REGIONS.
14. FOR ANCHORING INTO WOOD FRAMING OR 2X BUCK USE #10 WOOD SCREWS WITH SUFFICIENT LENGTH TO ACHIEVE A 1 1/4" MINIMUM EMBEDMENT INTO SUBSTRATE. LOCATE ANCHORS AS SHOWN IN ELEVATIONS AND INSTALLATION DETAILS.
15. FOR ANCHORING INTO MASONRY/CONCRETE USE 1/4" TAPCONS WITH SUFFICIENT LENGTH TO ACHIEVE A 1 1/4" MINIMUM EMBEDMENT INTO SUBSTRATE WITH 2" MINIMUM EDGE DISTANCE. LOCATE ANCHORS AS SHOWN IN ELEVATIONS AND INSTALLATION DETAILS.
16. FOR ANCHORING INTO METAL STRUCTURE USE #10 SMS OR SELF DRILLING SCREWS WITH SUFFICIENT LENGTH TO ACHIEVE 3 THREADS MINIMUM BEYOND STRUCTURE INTERIOR WALL. LOCATE ANCHORS AS SHOWN IN ELEVATIONS AND INSTALLATION DETAILS.
17. ALL FASTENERS TO BE CORROSION RESISTANT.
18. INSTALLATION ANCHORS SHALL BE INSTALLED IN ACCORDANCE WITH ANCHOR MANUFACTURER'S INSTALLATION INSTRUCTIONS AND ANCHORS SHALL NOT BE USED IN SUBSTRATES WITH STRENGTHS LESS THAN THE MINIMUM STRENGTH SPECIFIED BELOW:
 - A. WOOD – MINIMUM SPECIFIC GRAVITY OF G=0.42
 - B. CONCRETE – MINIMUM COMPRESSIVE STRENGTH OF 3,192 PSI.
 - C. MASONRY – STRENGTH CONFORMANCE TO ASTM C-90, GRADE N, TYPE 1 (OR GREATER).
 - D. METAL STRUCTURE: STEEL 18GA, 33KSI OR ALUMINUM 6063-T5 1/8" THICK MINIMUM
19. APPROVED CONFIGURATIONS: X, OX, XO, X/O, O/X, XX, OXX, XXO, O/XX, XX/O, OXO, O/XO, OX/O, O/XXO, OXX/O AND OXXO, SEE SHEET 3.
20. MAXIMUM PANEL SIZE: 34 1/2" X 79 1/16"
21. SIDELITES ARE ASSEMBLED TO FRAME WITH #10X2 1/2" WOOD SCREWS LOCATED 4" FROM EACH END AND 26 7/8" MAX O.C. THEREAFTER AT JAMBS AND 4" FROM EACH END AND ONE AT MIDSPAN AT HEAD AND SILL.

TABLE OF CONTENTS	
SHEET NO.	DESCRIPTION
1	NOTES
2	ELEVATION
3	APPROVED CONFIGURATIONS
4 – 5	ANCHORING LAYOUTS
6 – 12	INSTALLATION DETAILS
13	COMPONENTS

NAN YA PLASTICS CORP. USA
8989 NORTH LOOP EAST
HOUSTON, TX 77029

SERIES SLPS 6'11" INSWING
3/4 LITE PATIO DOOR NON-IMPACT
NOTES

DRAWN: V.L.	DWG NO. 08-02390	REV B
SCALE NTS	DATE 08/05/14	SHEET 1 OF 13

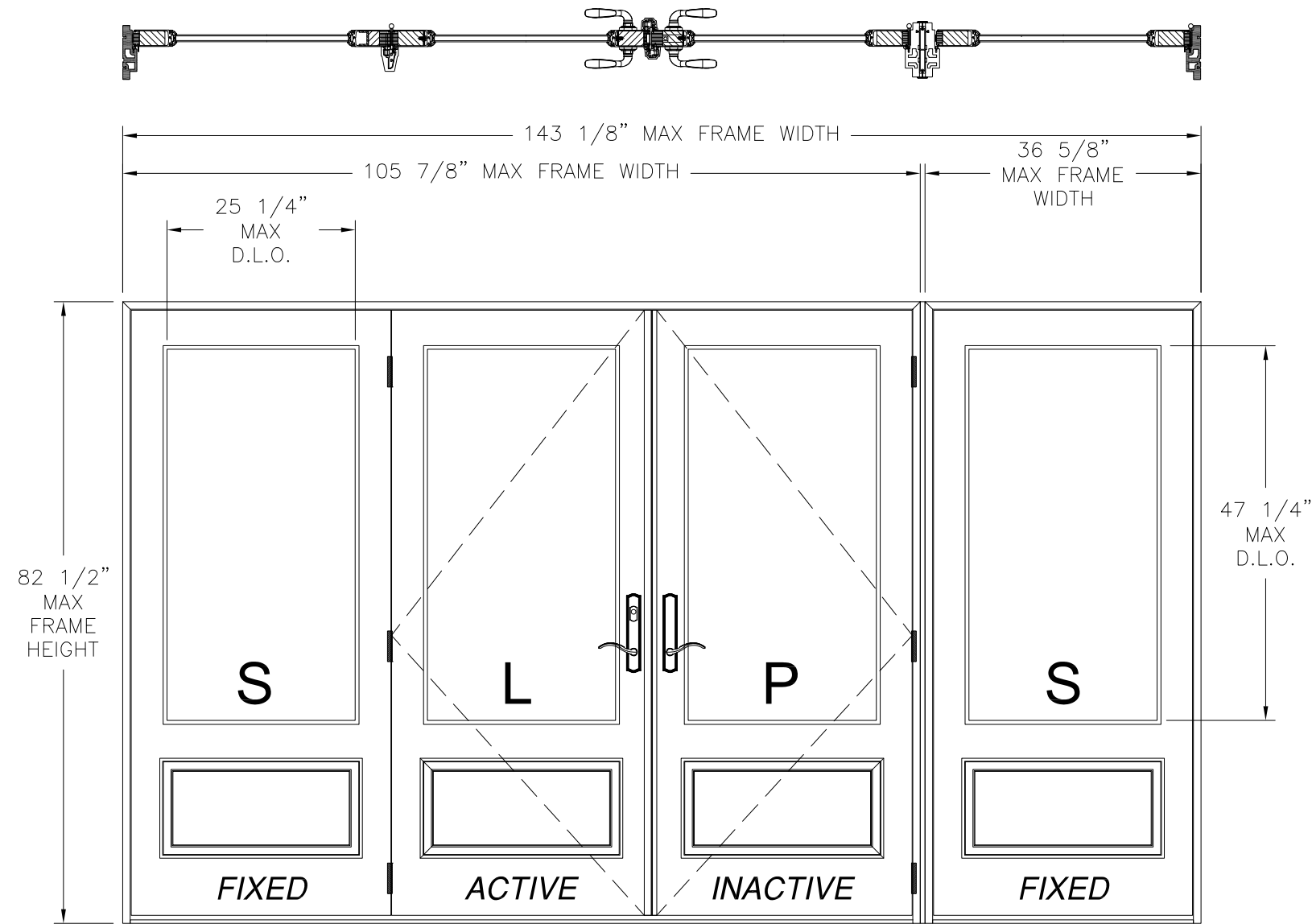
L. ROBERTO LOMAS P.E.
1432 WOODFORD RD LEWISVILLE, NC 27023
434-688-0609 rllomas@rlomaspe.com

SIGNED: 12/17/2021



Luis R. Lomas P.E.
TX No.: 101889
Firm No: F-23130

REVISIONS			
REV	DESCRIPTION	DATE	APPROVED
A	REVISED PER NEW CODE	12/17/2021	R.L.



- NOTES:
- PANEL SIZE: 34 1/2" X 79 1/16"
 - D.L.O.: 25 1/4" X 47 1/4"

SLPS 6'11" INSWING 3/4 LITE PATIO DOOR
EXTERIOR VIEW

DESIGN PRESSURE RATING	IMPACT RATING
±50.0PSF	NONE

HARDWARE SCHEDULE

A.	(3) STEEL 4X4 BUTT HINGE BY WENZHOU LONGTAI (PER PANEL), AT 7 5/8", 37 7/8" & 68 1/8" FROM FRAME HEAD
B.	STAINLESS STEEL, FLUSH BOLT MECHANISM WITH KEEPER AT INACTIVE PANEL LOCK STILE
C.	STAINLESS STEEL DOOR DEADBOLT WITH KEEPER AT ACTIVE PANEL 38" FROM FRAME HEAD
D.	STAINLESS STEEL DOOR LATCH WITH KEEPER AT ACTIVE PANEL 43 1/2" FROM FRAME HEAD
E.	DIE CAST HANDLE SETS AT ACTIVE AND PASSIVE PANELS
F.	ALUMINUM REINFORCEMENT-A AT ASTRAGAL
G.	ALUMINUM REINFORCEMENT-B AT INTEGRAL MULLION

SIGNED: 12/17/2021

NAN YA PLASTICS CORP. USA
8989 NORTH LOOP EAST
HOUSTON, TX 77029

SERIES SLPS 6'11" INSWING
3/4 LITE PATIO DOOR NON-IMPACT
OXX/O ELEVATION

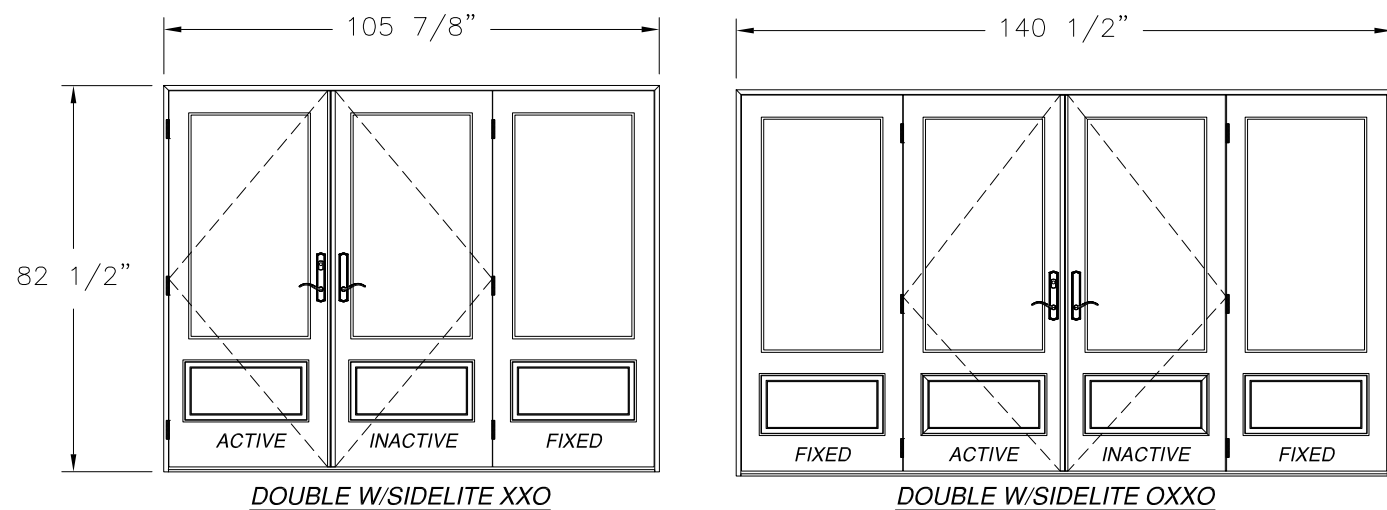
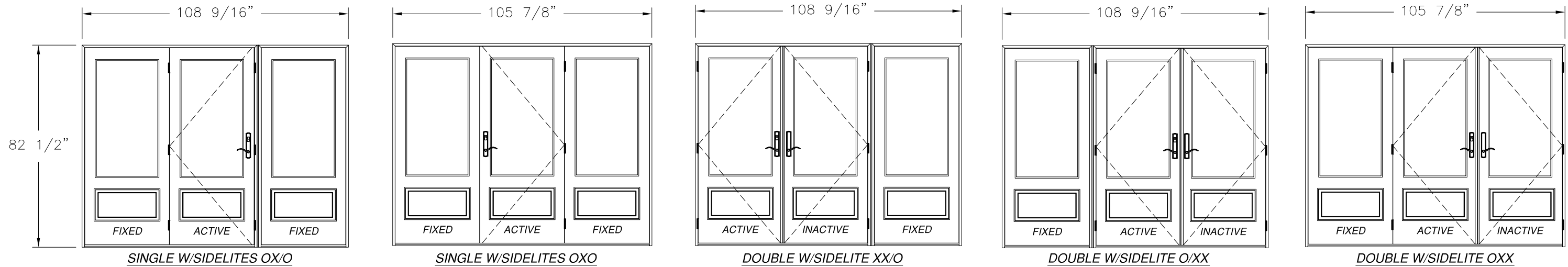
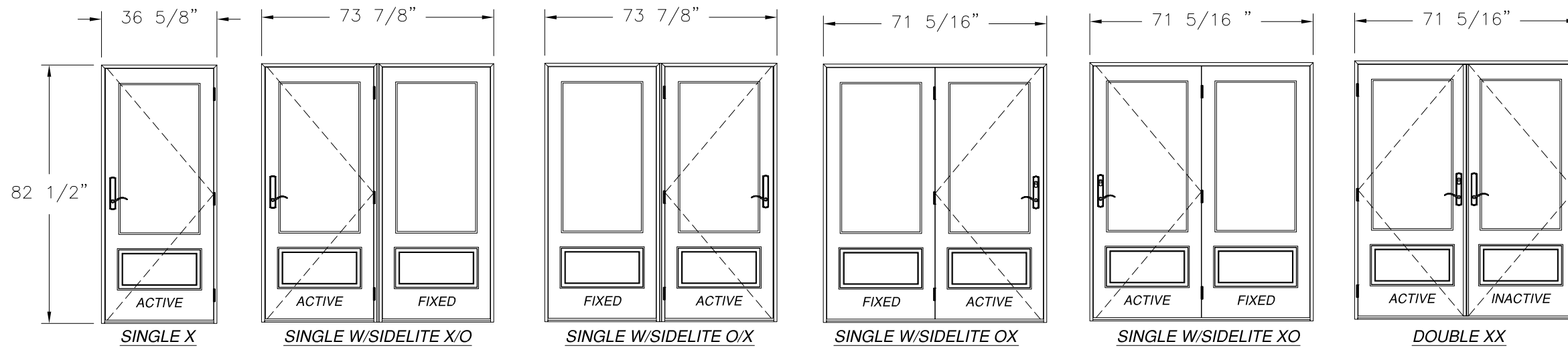
DRAWN: V.L.	DWG NO. 08-02390	REV B
SCALE NTS	DATE 08/05/14	SHEET 2 OF 13

L. ROBERTO LOMAS P.E.
1432 WOODFORD RD LEWISVILLE, NC 27023
434-688-0609 rllomas@rlomaspe.com



Luis R. Lomas P.E.
TX No.: 101889
Firm No: F-23130

REVISIONS			
REV	DESCRIPTION	DATE	APPROVED
A	REVISED PER NEW CODE	12/17/2021	R.L.



NAN YA PLASTICS CORP. USA
 8989 NORTH LOOP EAST
 HOUSTON, TX 77029

SERIES SLPS 6'11" INSWING
 3/4 LITE PATIO DOOR NON-IMPACT
 ADDITIONAL APPROVED CONFIGURATIONS

DRAWN: V.L.	DWG NO. 08-02390	REV B
SCALE NTS	DATE 08/05/14	SHEET 3 OF 13

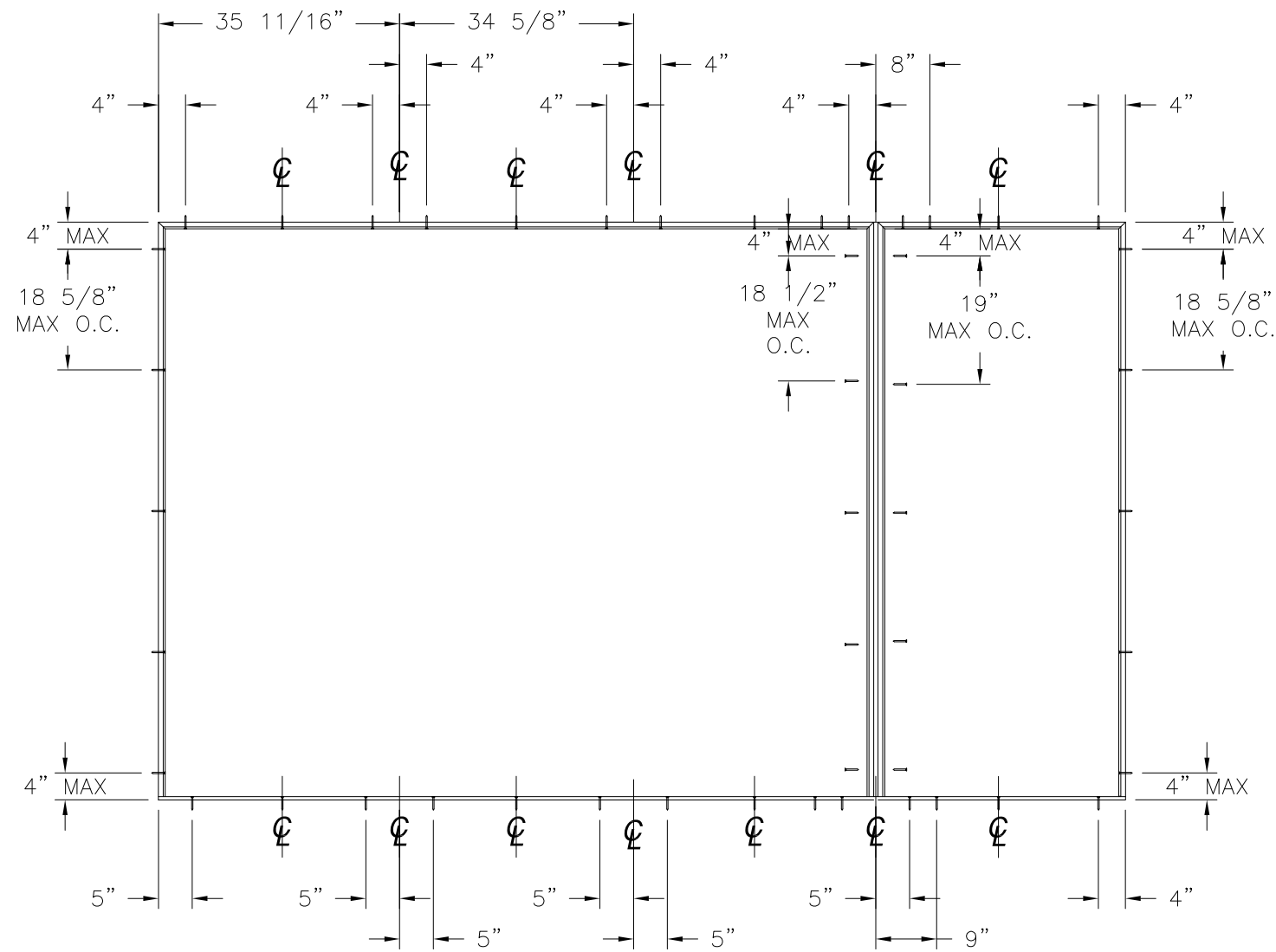
L. ROBERTO LOMAS P.E.
 1432 WOODFORD RD LEWISVILLE, NC 27023
 434-688-0609 rllomas@rlomaspe.com

SIGNED: 12/17/2021

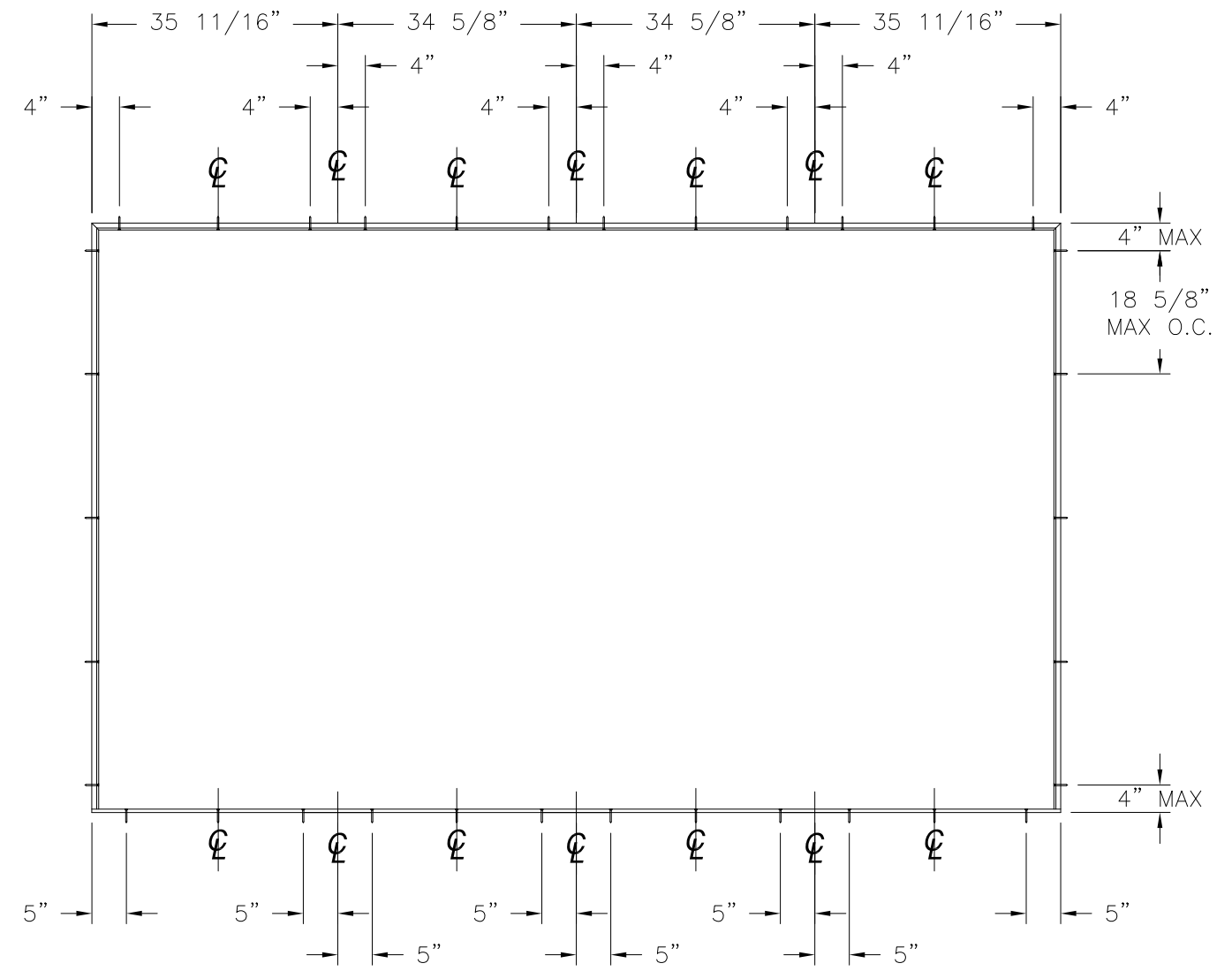


Luis R. Lomas P.E.
 TX No.: 101889
 Firm No: F-23130

REVISIONS			
REV	DESCRIPTION	DATE	APPROVED
A	REVISED PER NEW CODE	12/17/2021	R.L.



ANCHORING LAYOUT FOR O/XXO, OXX/O



ANCHORING LAYOUT FOR OXXO

SIGNED: 12/17/2021

NAN YA PLASTICS CORP. USA
 8989 NORTH LOOP EAST
 HOUSTON, TX 77029

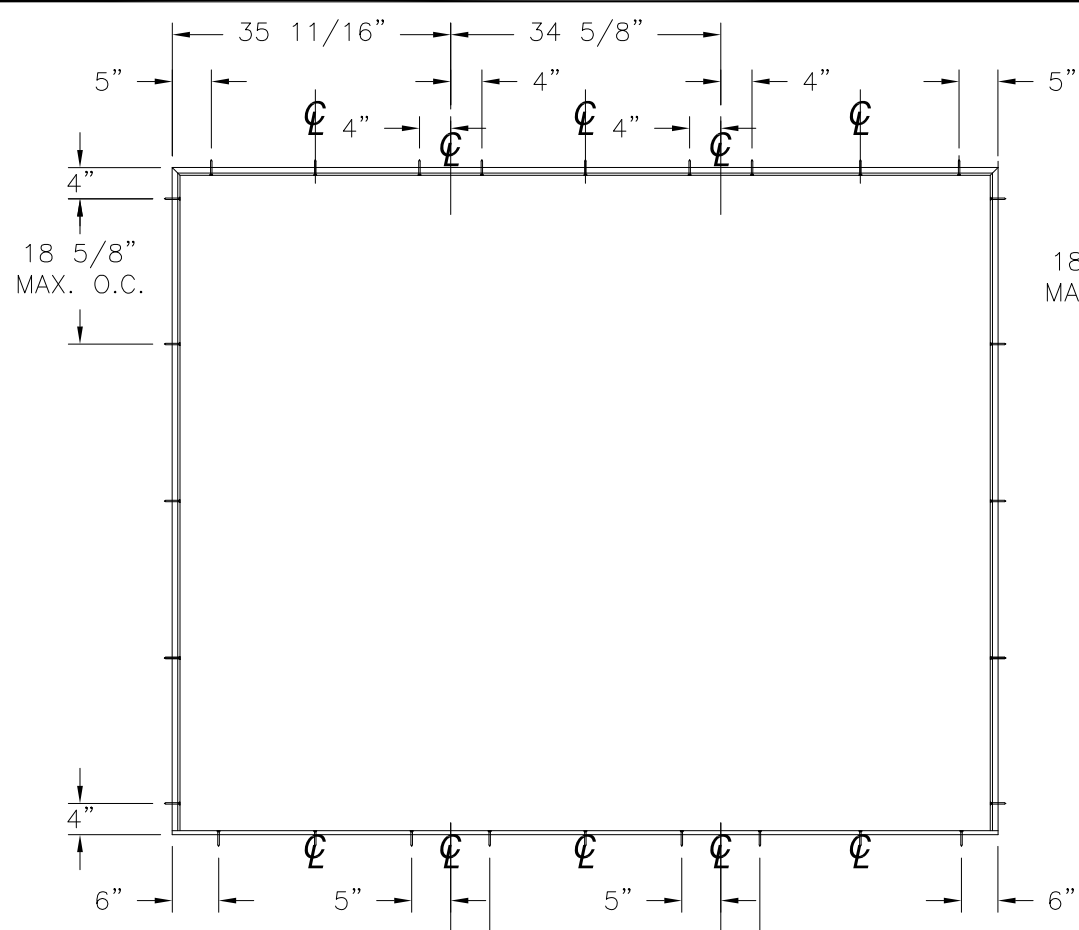
SERIES SLPS 6'11" INSWING
 3/4 LITE PATIO DOOR NON-IMPACT
 ANCHORING LAYOUTS

DRAWN: V.L.	DWG NO. 08-02390	REV B
SCALE NTS	DATE 08/05/14	SHEET 4 OF 13

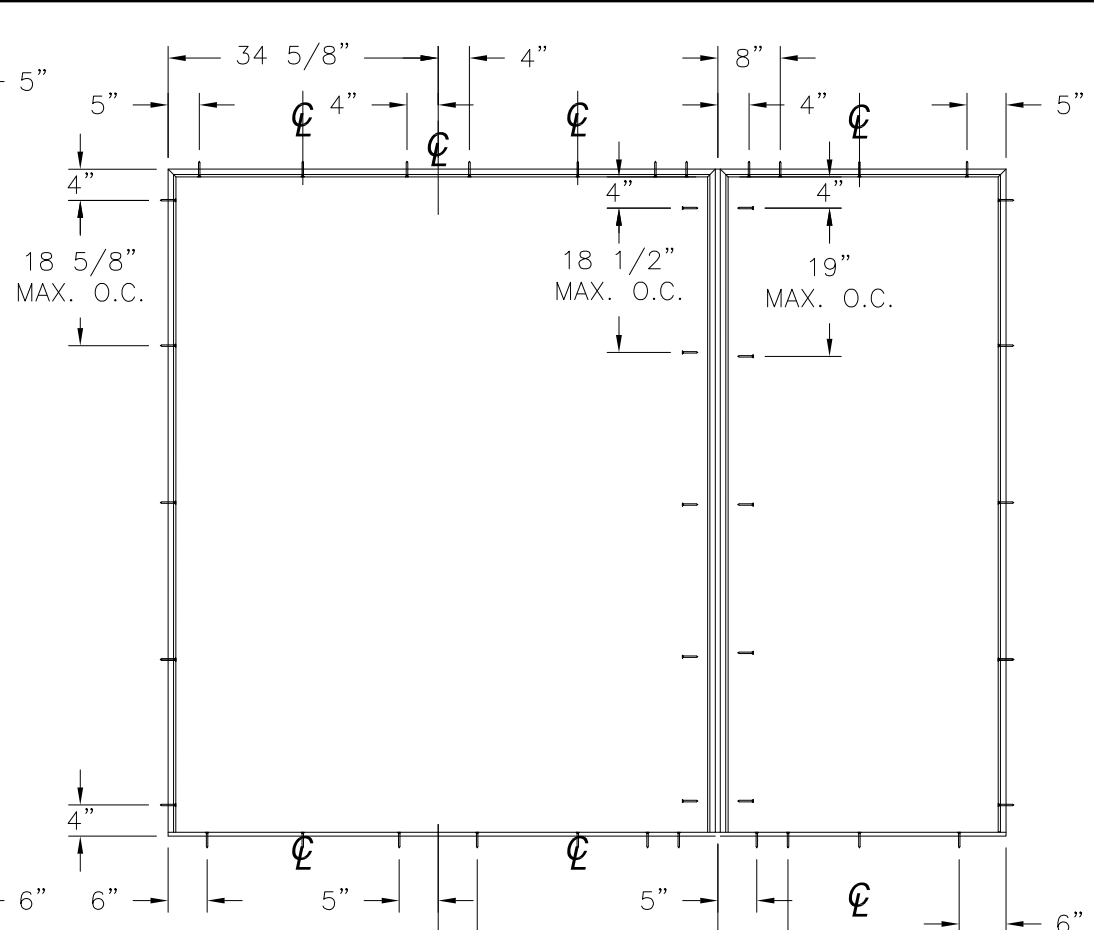
L. ROBERTO LOMAS P.E.
 1432 WOODFORD RD LEWISVILLE, NC 27023
 434-688-0609 rllomas@lrlomaspe.com



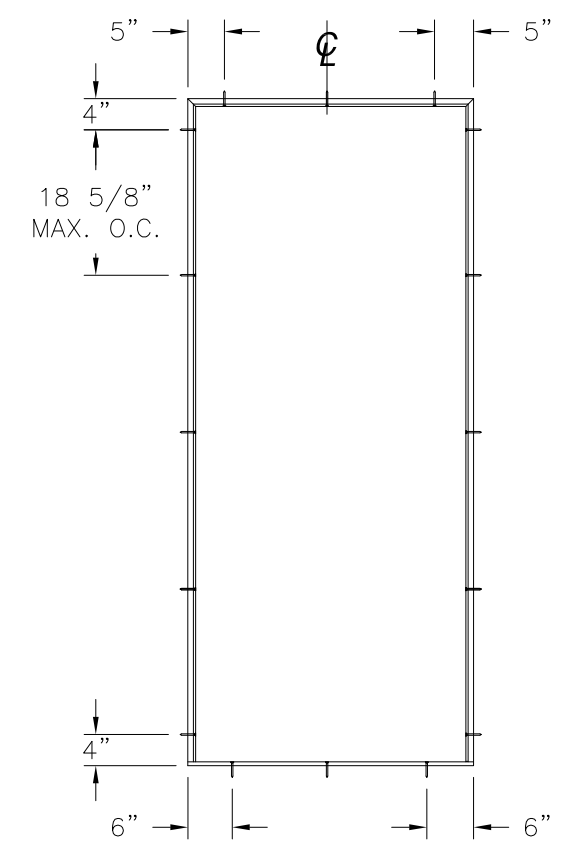
Luis R. Lomas P.E.
 TX No.: 101889
 Firm No: F-23130



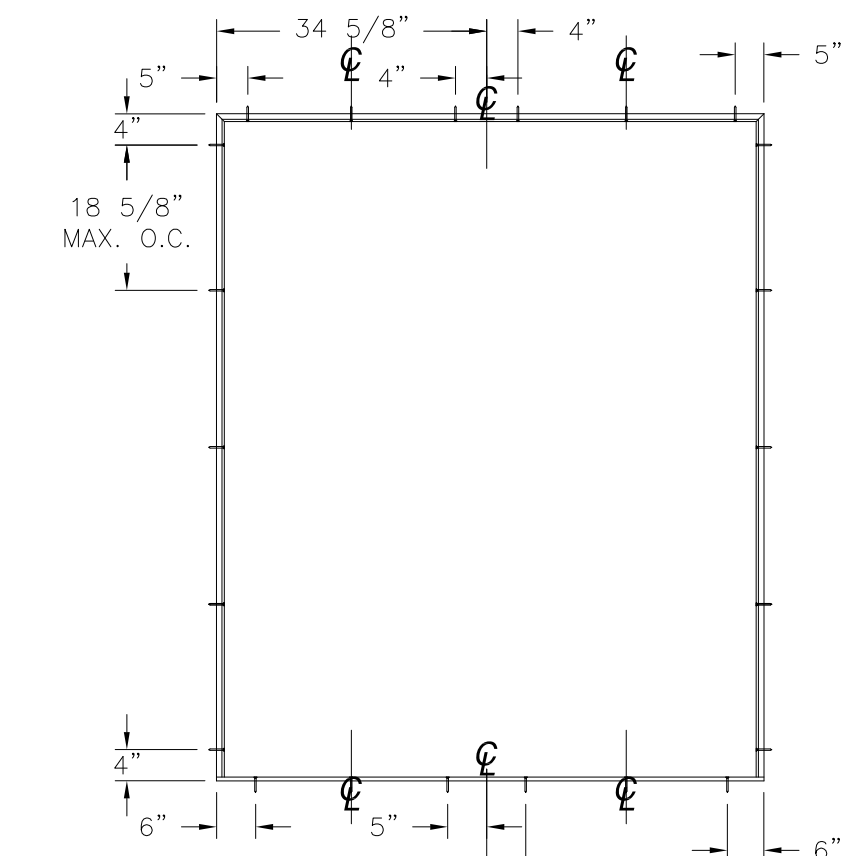
ANCHORING LAYOUT FOR OXO, XXO AND OXX



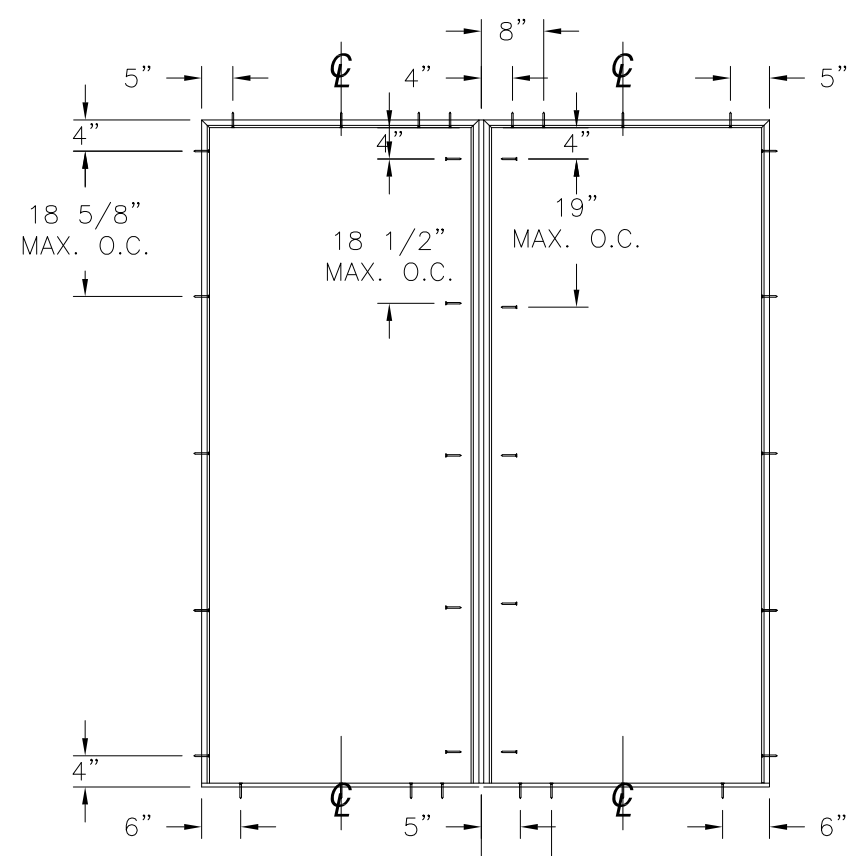
ANCHORING LAYOUT FOR OX/O, O/XO, XX/O AND O/XX



ANCHORING LAYOUT FOR X



ANCHORING LAYOUT FOR XX, OX AND XO



ANCHORING LAYOUT FOR O/X AND X/O

REVISIONS			
REV	DESCRIPTION	DATE	APPROVED
A	REVISED PER NEW CODE	12/17/2021	R.L.

NAN YA PLASTICS CORP. USA
 8989 NORTH LOOP EAST
 HOUSTON, TX 77029

SERIES SLPS 6'11" INSWING
 3/4 LITE PATIO DOOR NON-IMPACT
 ANCHORING LAYOUTS

DRAWN: V.L.	DWG NO. 08-02390	REV B
SCALE NTS	DATE 08/05/14	SHEET 5 OF 13

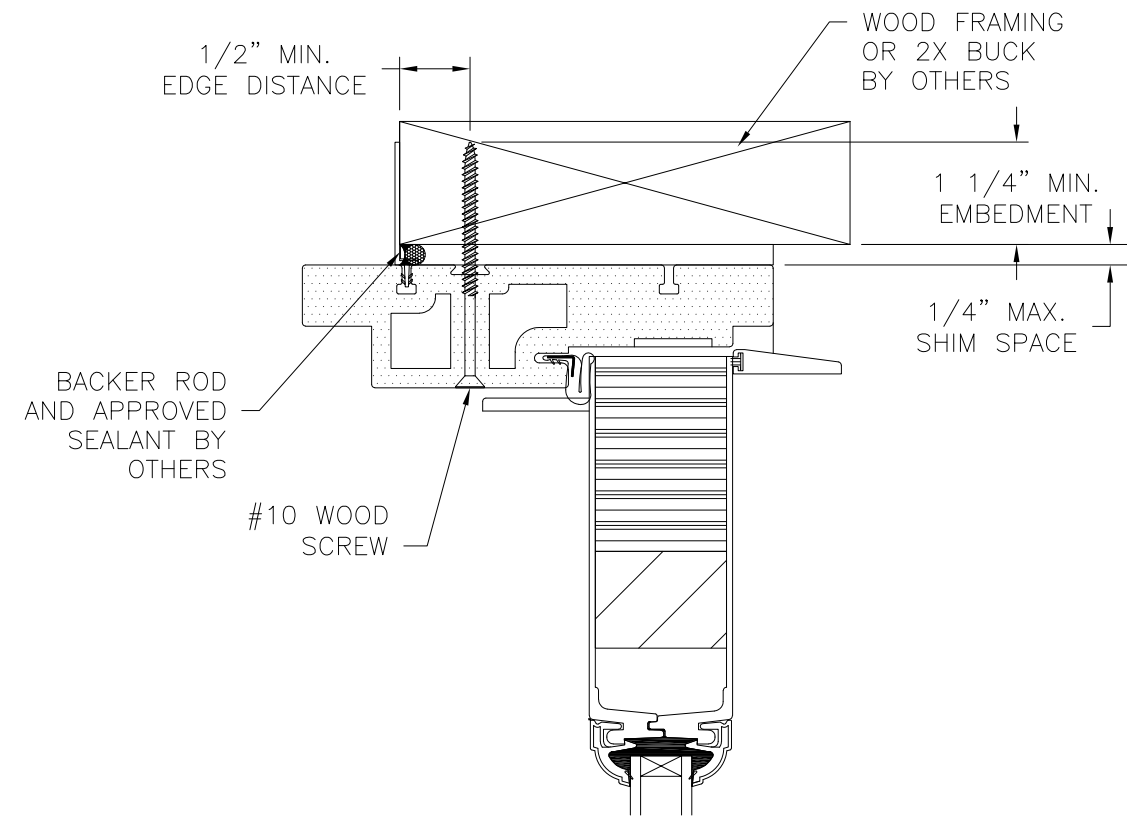
L. ROBERTO LOMAS P.E.
 1432 WOODFORD RD LEWISVILLE, NC 27023
 434-688-0609 rllomas@rlomaspe.com

SIGNED: 12/17/2021

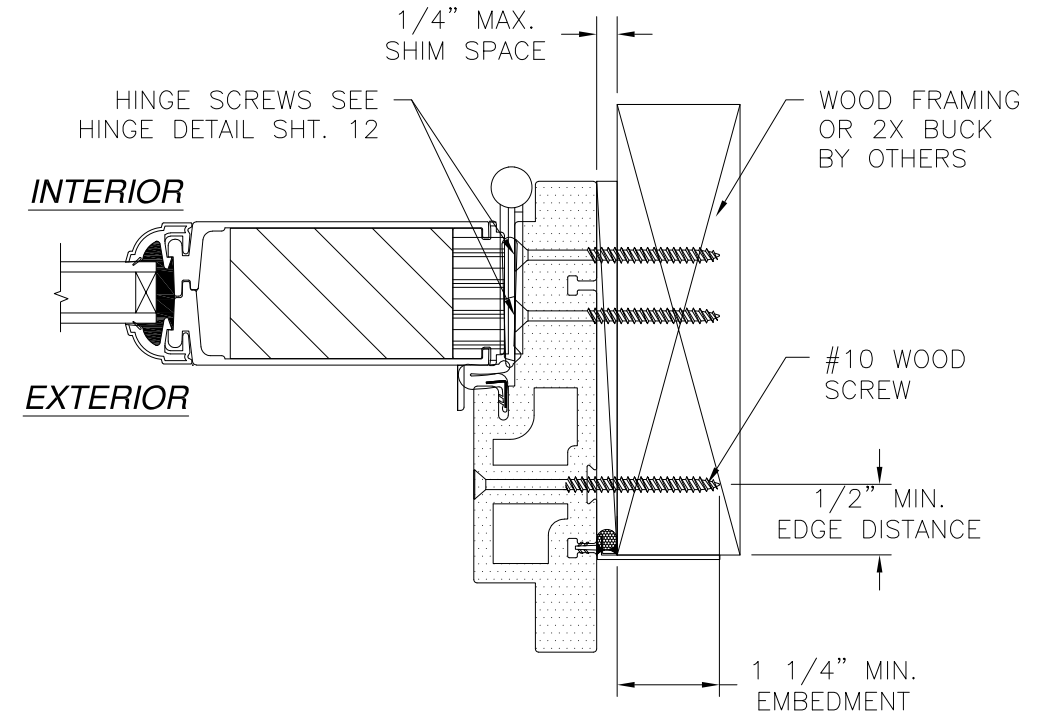


Luis R. Lomas P.E.
 TX No.: 101889
 Firm No: F-23130

REVISIONS			
REV	DESCRIPTION	DATE	APPROVED
A	REVISED PER NEW CODE	12/17/2021	R.L.

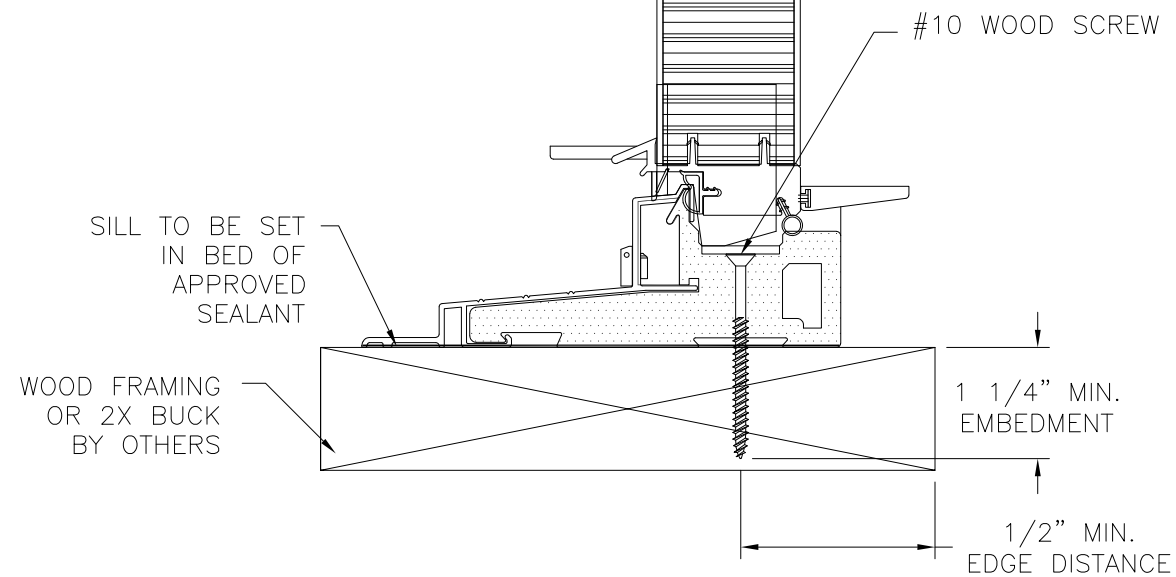


EXTERIOR **INTERIOR**



INTERIOR
EXTERIOR

DOOR INSTALLATION DETAILS
WOOD FRAMING OR 2X BUCK INSTALLATION



DOOR INSTALLATION DETAILS
WOOD FRAMING OR 2X BUCK INSTALLATION

NOTES:

1. INTERIOR AND EXTERIOR FINISHES, BY OTHERS, NOT SHOWN FOR CLARITY.
2. PERIMETER AND JOINT SEALANT BY OTHERS TO BE DESIGNED IN ACCORDANCE WITH ASTM E2112

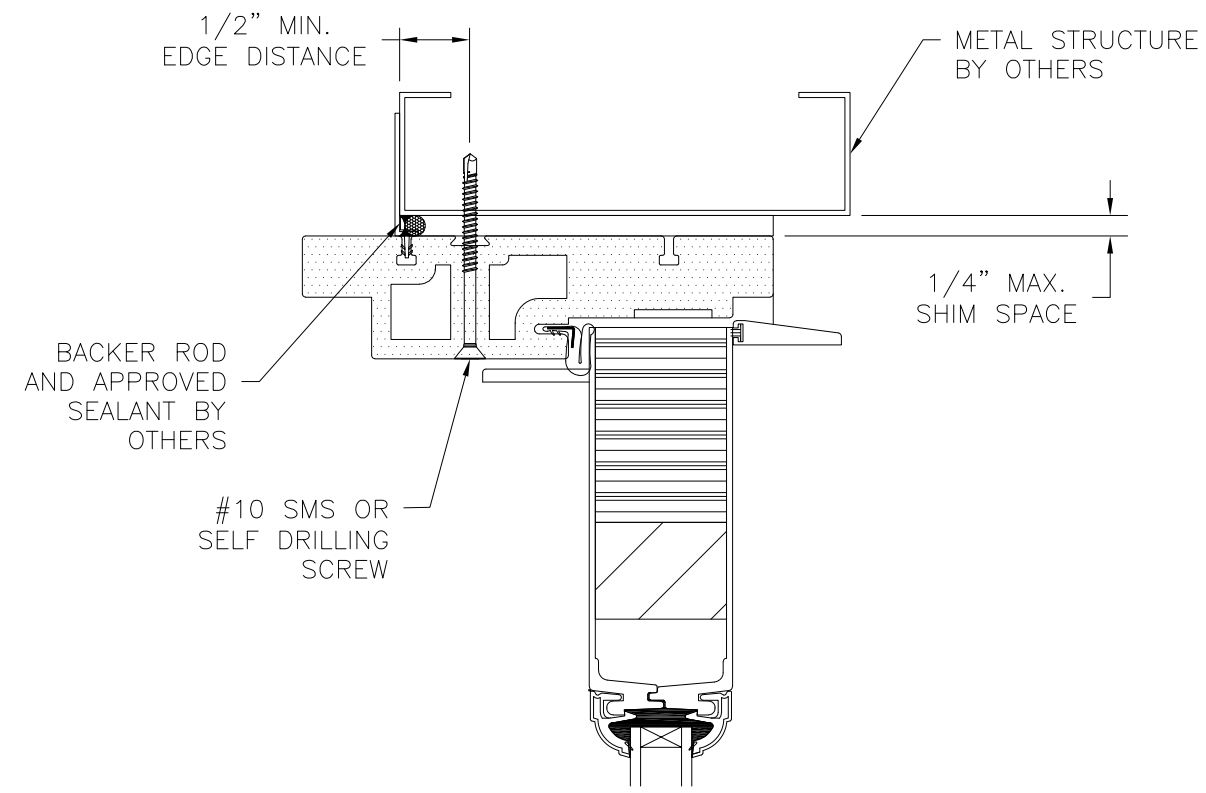
SIGNED: 12/17/2021

NAN YA PLASTICS CORP. USA 8989 NORTH LOOP EAST HOUSTON, TX 77029		
SERIES SLPS 6'11" INSWING 3/4 LITE PATIO DOOR NON-IMPACT DOOR INSTALLATION DETAILS		
DRAWN: V.L.	DWG NO. 08-02390	REV B
SCALE NTS	DATE 08/05/14	SHEET 6 OF 13
L. ROBERTO LOMAS P.E. 1432 WOODFORD RD LEWISVILLE, NC 27023 434-688-0609 rllomas@rlomaspe.com		

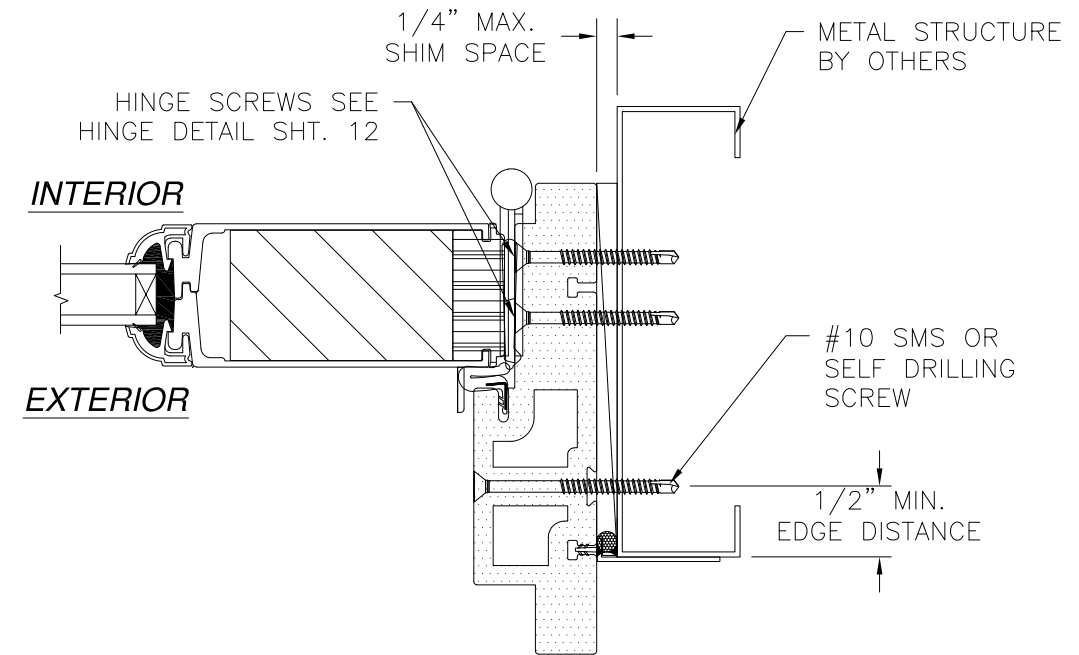


Luis R. Lomas P.E.
TX No.: 101889
Firm No: F-23130

REVISIONS			
REV	DESCRIPTION	DATE	APPROVED
A	REVISED PER NEW CODE	12/17/2021	R.L.

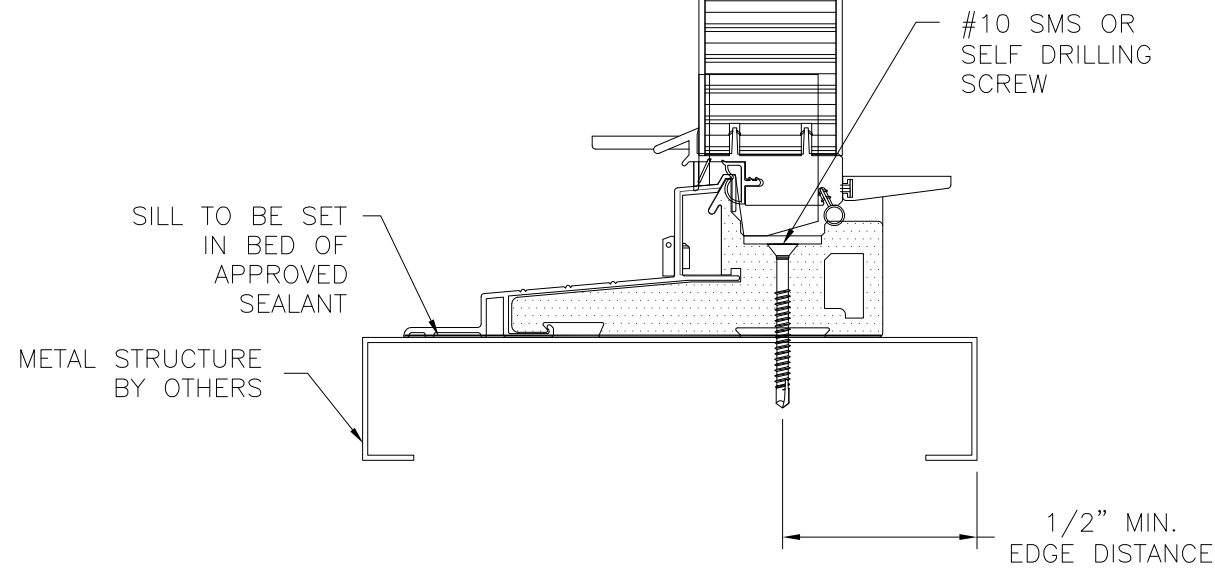


EXTERIOR **INTERIOR**



INTERIOR
EXTERIOR

DOOR INSTALLATION DETAILS
METAL STRUCTURE INSTALLATION



DOOR INSTALLATION DETAILS
METAL STRUCTURE INSTALLATION

- NOTES:**
1. INTERIOR AND EXTERIOR FINISHES, BY OTHERS, NOT SHOWN FOR CLARITY.
 2. PERIMETER AND JOINT SEALANT BY OTHERS TO BE DESIGNED IN ACCORDANCE WITH ASTM E2112

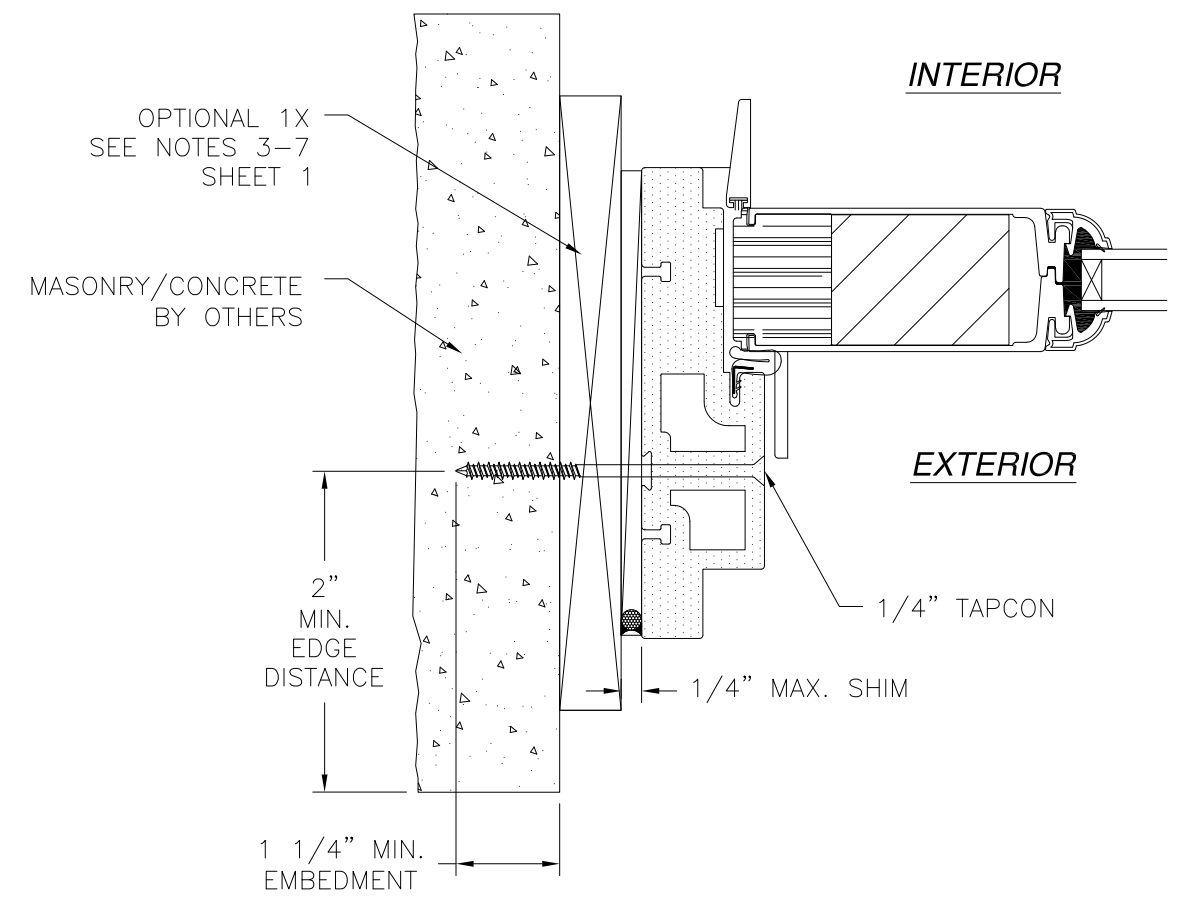
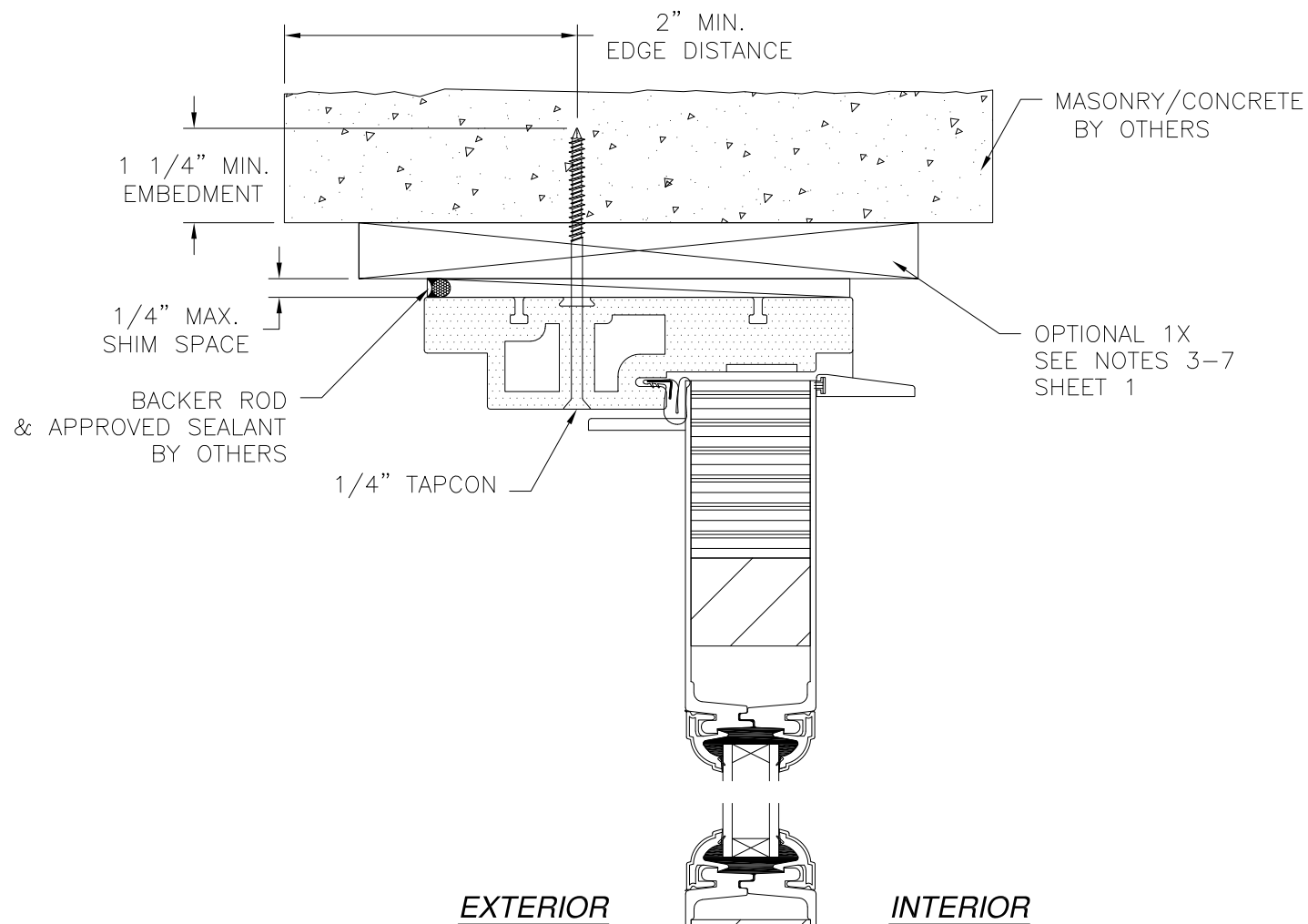
SIGNED: 12/17/2021

<p>NAN YA PLASTICS CORP. USA 8989 NORTH LOOP EAST HOUSTON, TX 77029</p>		
<p>SERIES SLPS 6'11" INSWING 3/4 LITE PATIO DOOR NON-IMPACT DOOR INSTALLATION DETAILS</p>		
<p>DRAWN: V.L.</p>	<p>DWG NO. 08-02390</p>	<p>REV B</p>
<p>SCALE NTS</p>	<p>DATE 08/05/14</p>	<p>SHEET 7 OF 13</p>
<p>L. ROBERTO LOMAS P.E. 1432 WOODFORD RD LEWISVILLE, NC 27023 434-688-0609 rllomas@rlomaspe.com</p>		



Luis R. Lomas P.E.
TX No.: 101889
Firm No: F-23130

REVISIONS			
REV	DESCRIPTION	DATE	APPROVED
A	REVISED PER NEW CODE	12/17/2021	R.L.



DOOR INSTALLATION DETAIL
MASONRY/CONCRETE

EXTERIOR **INTERIOR**

INTERIOR

EXTERIOR

DOOR INSTALLATION DETAIL
MASONRY/CONCRETE

NOTES:

1. INTERIOR AND EXTERIOR FINISHES, BY OTHERS, NOT SHOWN FOR CLARITY.
2. PERIMETER AND JOINT SEALANT BY OTHERS TO BE DESIGNED IN ACCORDANCE WITH ASTM E2112

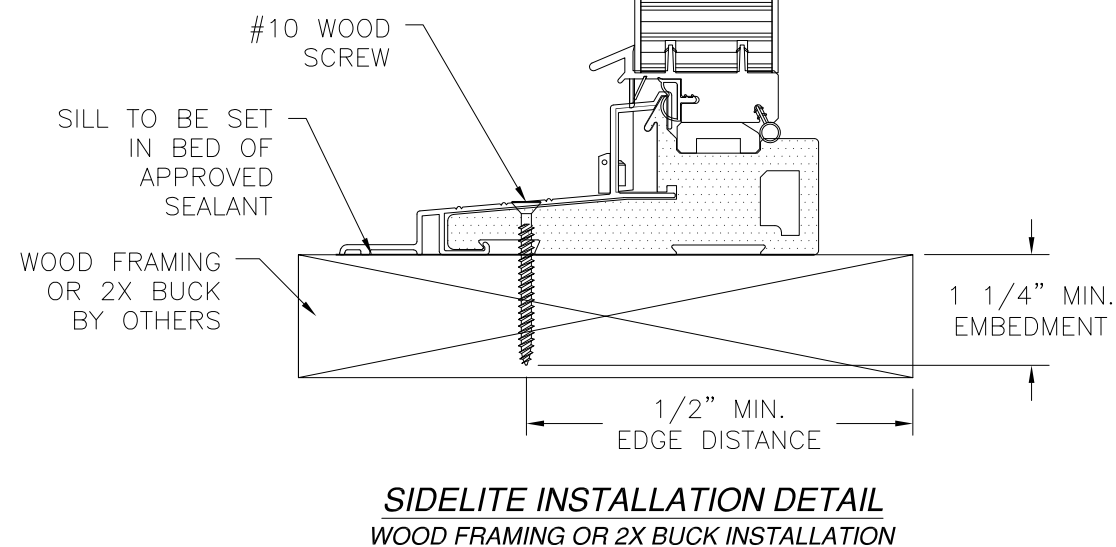
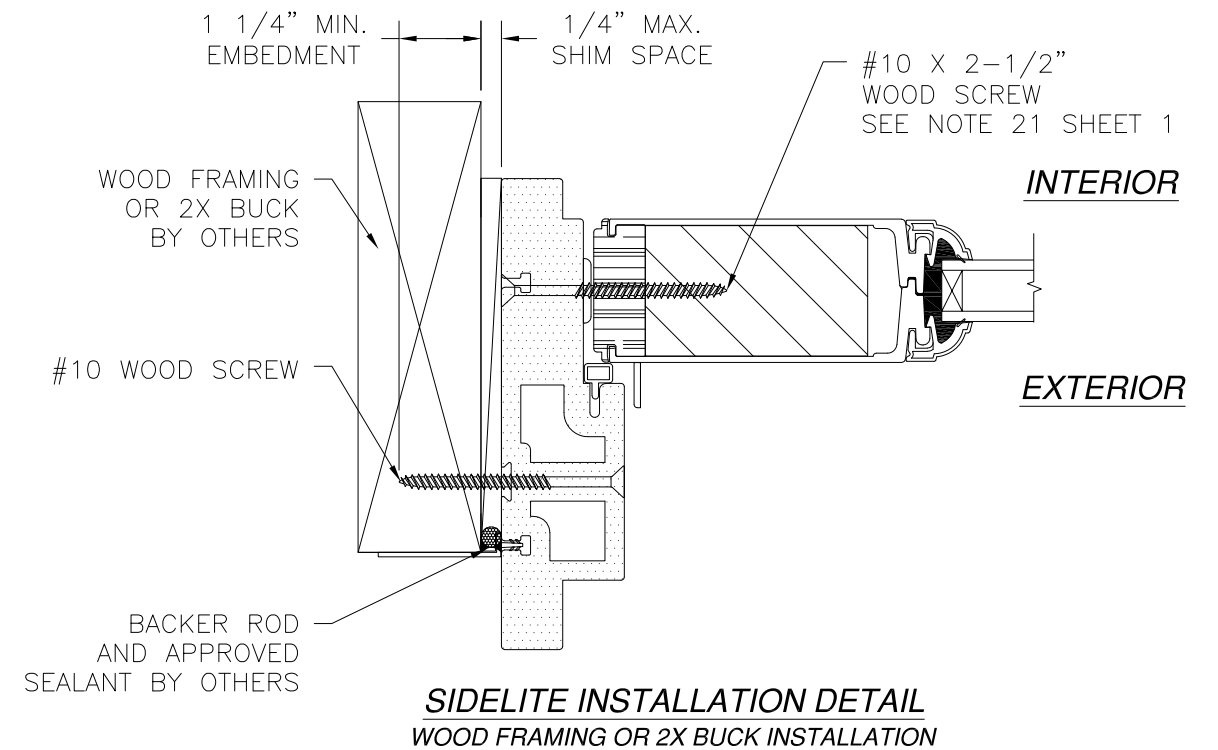
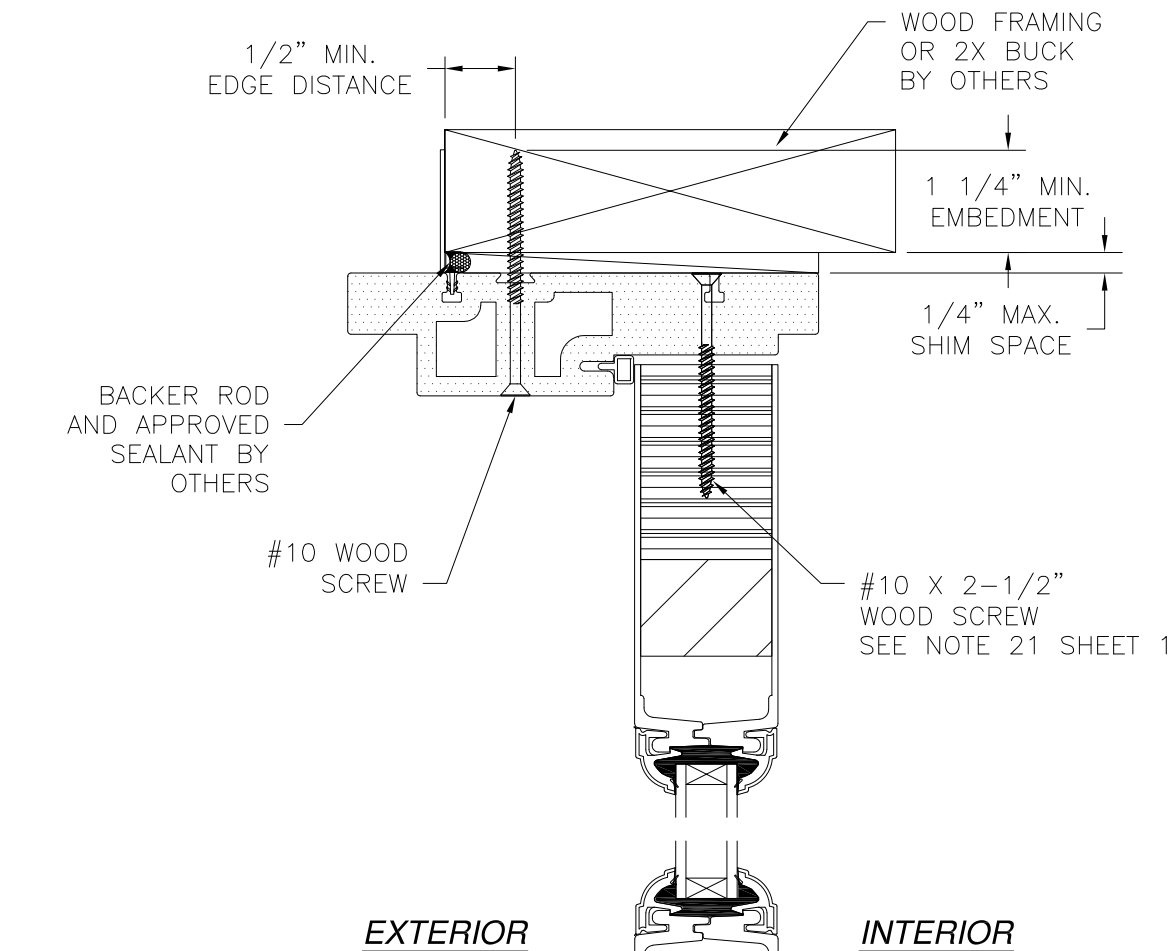
SIGNED: 12/17/2021

<p>NAN YA PLASTICS CORP. USA 8989 NORTH LOOP EAST HOUSTON, TX 77029</p>		
<p>SERIES SLPS 6'11" INSWING 3/4 LITE PATIO DOOR NON-IMPACT DOOR INSTALLATION DETAILS</p>		
<p>DRAWN: V.L.</p>	<p>DWG NO. 08-02390</p>	<p>REV B</p>
<p>SCALE NTS</p>	<p>DATE 08/05/14</p>	<p>SHEET 8 OF 13</p>
<p>L. ROBERTO LOMAS P.E. 1432 WOODFORD RD LEWISVILLE, NC 27023 434-688-0609 rllomas@rlomaspe.com</p>		



Luis R. Lomas P.E.
TX No.: 101889
Firm No: F-23130

REVISIONS			
REV	DESCRIPTION	DATE	APPROVED
A	REVISED PER NEW CODE	12/17/2021	R.L.



NOTES:

1. *INTERIOR AND EXTERIOR FINISHES, BY OTHERS, NOT SHOWN FOR CLARITY.*
2. *PERIMETER AND JOINT SEALANT BY OTHERS TO BE DESIGNED IN ACCORDANCE WITH ASTM E2112*

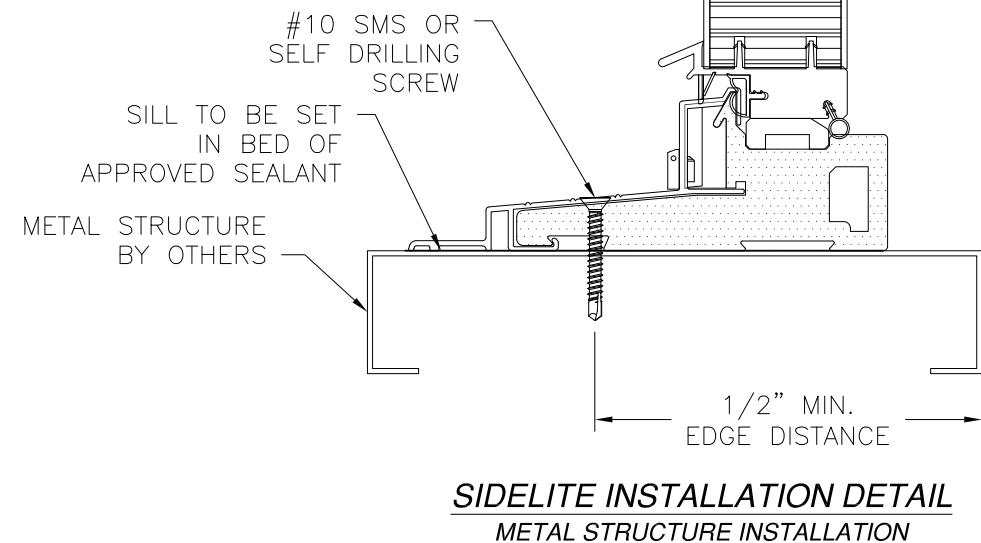
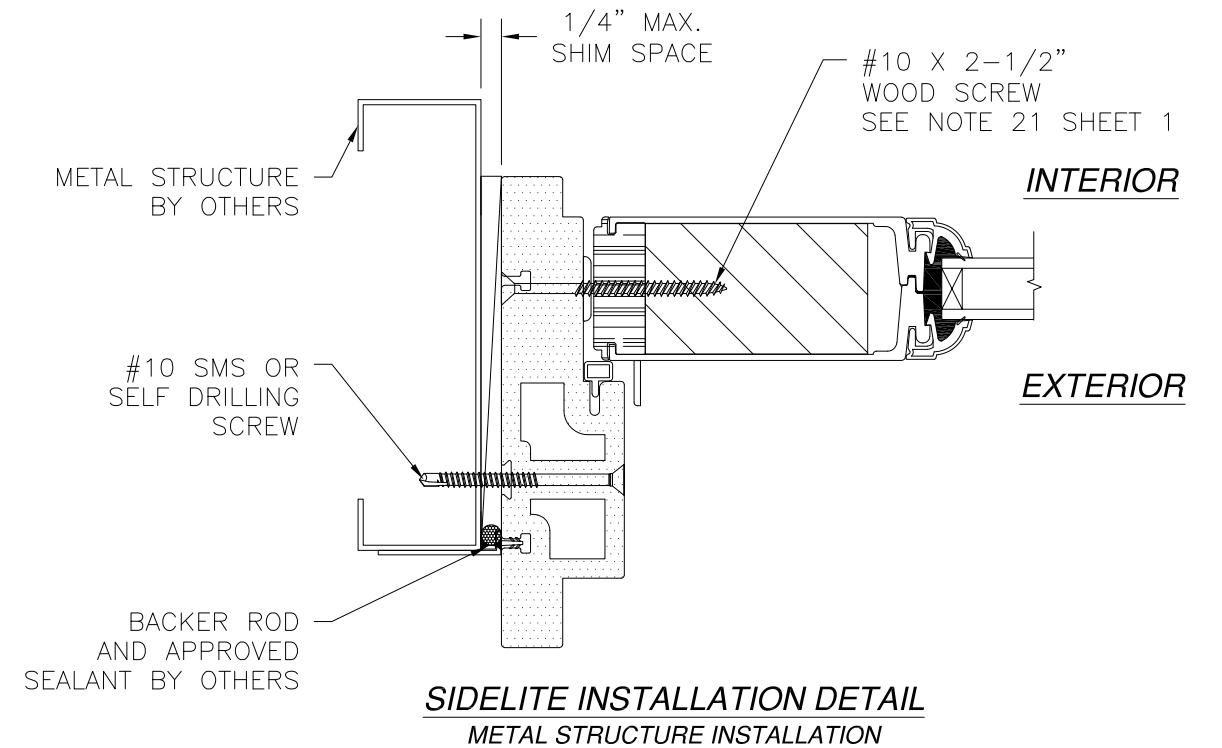
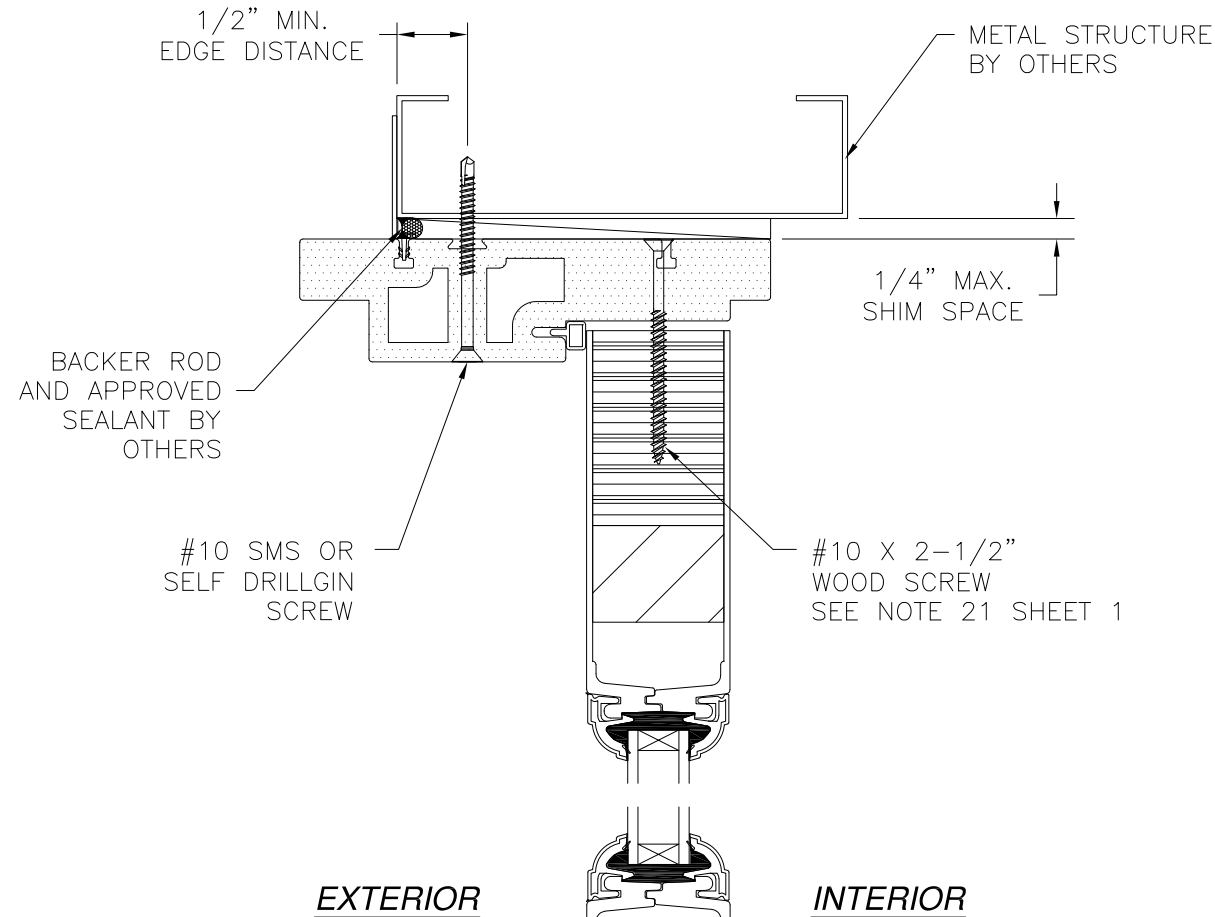
SIGNED: 12/17/2021

<p>NAN YA PLASTICS CORP. USA 8989 NORTH LOOP EAST HOUSTON, TX 77029</p>		
<p>SERIES SLPS 6'11" INSWING 3/4 LITE PATIO DOOR NON-IMPACT SIDELITE INSTALLATION DETAILS</p>		
<p>DRAWN: V.L.</p>	<p>DWG NO. 08-02390</p>	<p>REV B</p>
<p>SCALE NTS</p>	<p>DATE 08/05/14</p>	<p>SHEET 9 OF 13</p>
<p>L. ROBERTO LOMAS P.E. 1432 WOODFORD RD LEWISVILLE, NC 27023 434-688-0609 rllomas@rlomaspe.com</p>		



Luis R. Lomas P.E.
TX No.: 101889
Firm No: F-23130

REVISIONS			
REV	DESCRIPTION	DATE	APPROVED
A	REVISED PER NEW CODE	12/17/2021	R.L.



- NOTES:**
1. *INTERIOR AND EXTERIOR FINISHES, BY OTHERS, NOT SHOWN FOR CLARITY.*
 2. *PERIMETER AND JOINT SEALANT BY OTHERS TO BE DESIGNED IN ACCORDANCE WITH ASTM E2112*

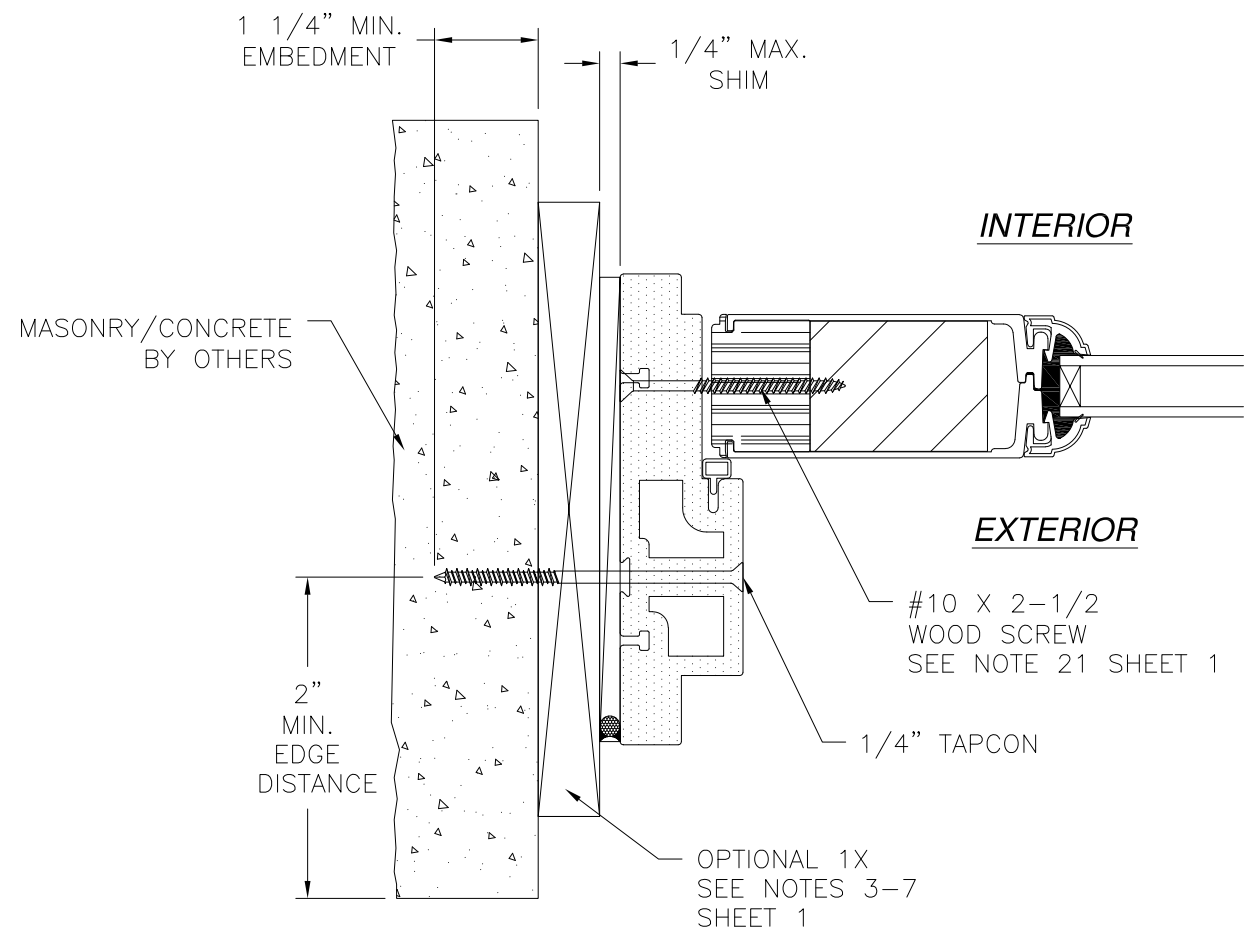
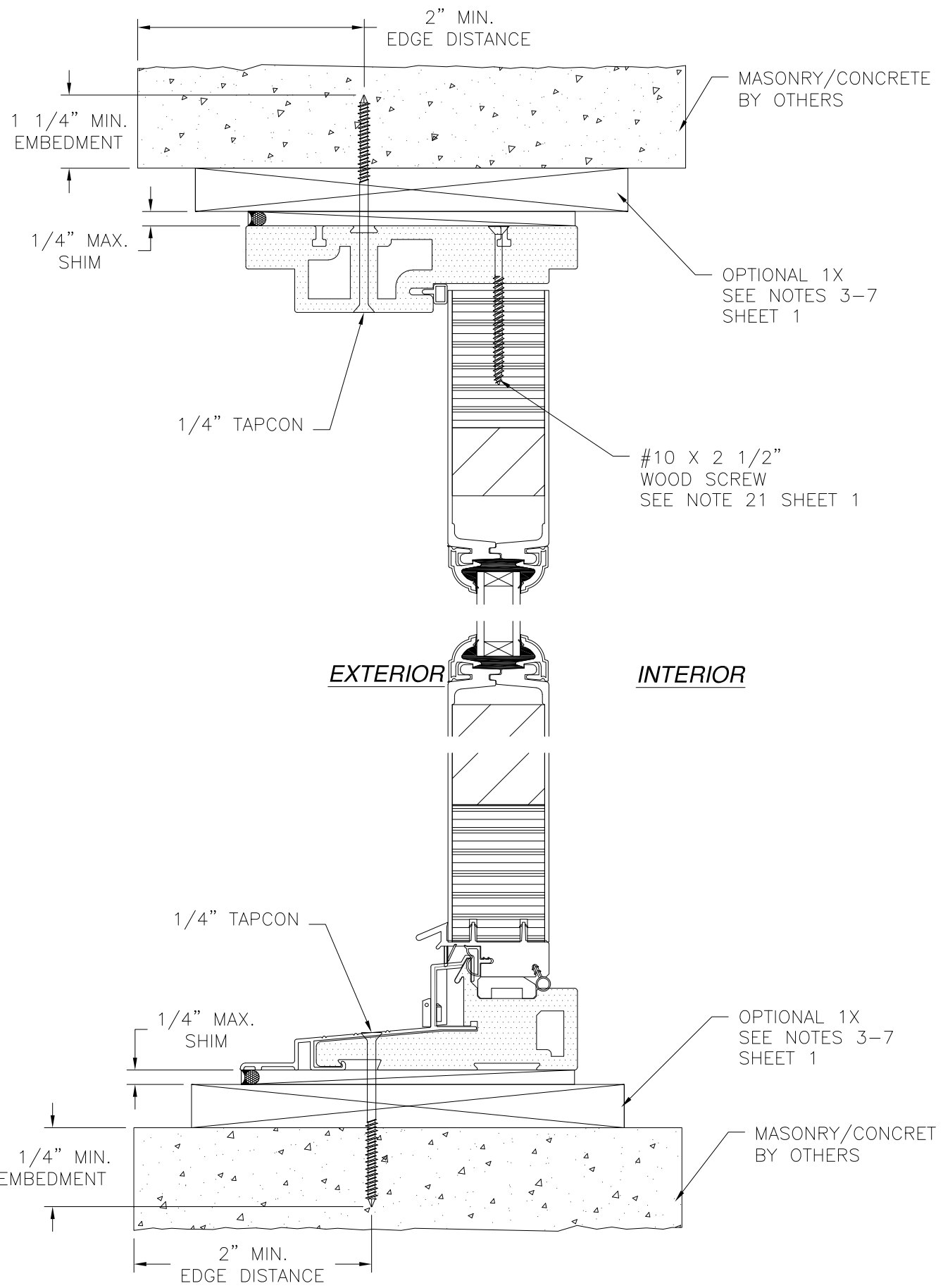
SIGNED: 12/17/2021

<p>NAN YA PLASTICS CORP. USA 8989 NORTH LOOP EAST HOUSTON, TX 77029</p>		
<p>SERIES SLPS 6'11" INSWING 3/4 LITE PATIO DOOR NON-IMPACT SIDELITE INSTALLATION DETAILS</p>		
<p>DRAWN: V.L.</p>	<p>DWG NO. 08-02390</p>	<p>REV B</p>
<p>SCALE NTS</p>	<p>DATE 08/05/14</p>	<p>SHEET 10 OF 13</p>
<p>L. ROBERTO LOMAS P.E. 1432 WOODFORD RD LEWISVILLE, NC 27023 434-688-0609 rllomas@rlomaspe.com</p>		



Luis R. Lomas P.E.
TX No.: 101889
Firm No: F-23130

REVISIONS			
REV	DESCRIPTION	DATE	APPROVED
A	REVISED PER NEW CODE	12/17/2021	R.L.



SIDELITE INSTALLATION DETAIL
MASONRY/CONCRETE

- NOTES:**
1. INTERIOR AND EXTERIOR FINISHES, BY OTHERS, NOT SHOWN FOR CLARITY.
 2. PERIMETER AND JOINT SEALANT BY OTHERS TO BE DESIGNED IN ACCORDANCE WITH ASTM E2112

SIGNED: 12/17/2021

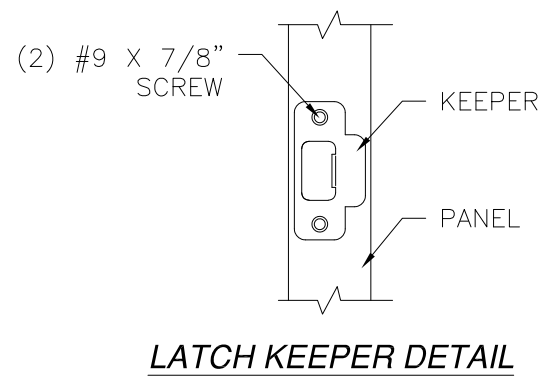
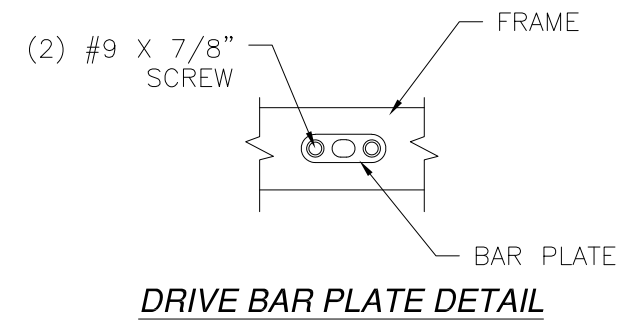
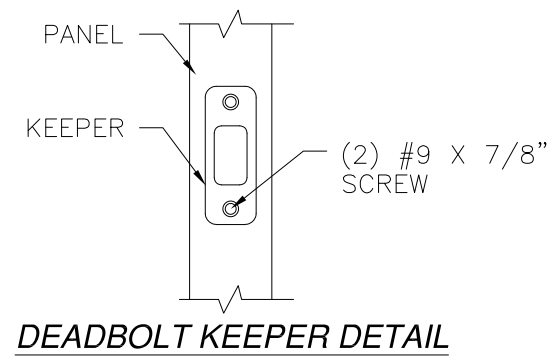
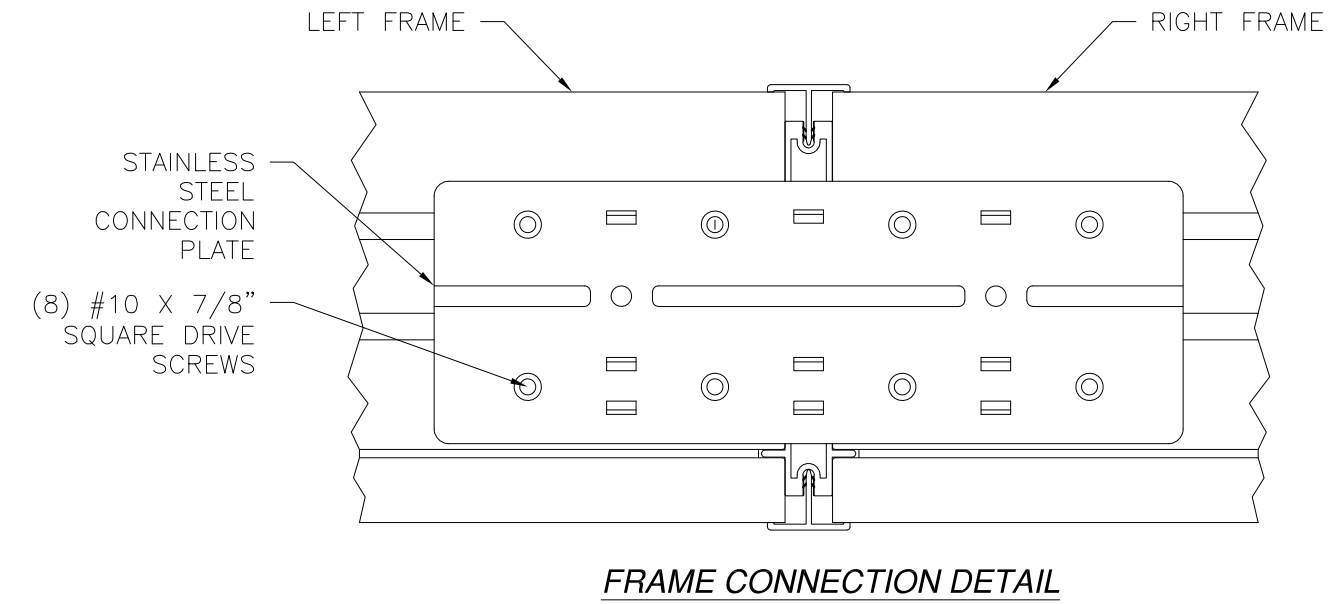
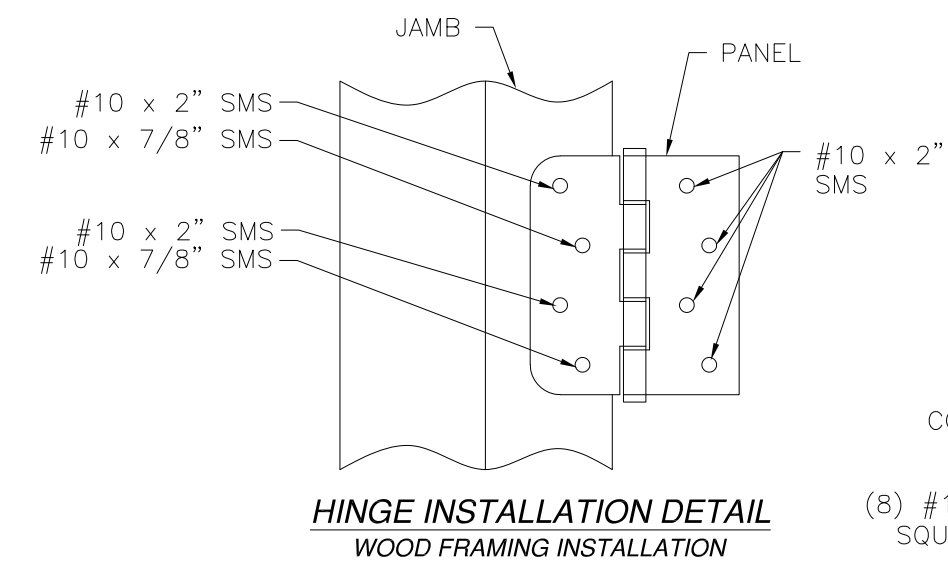
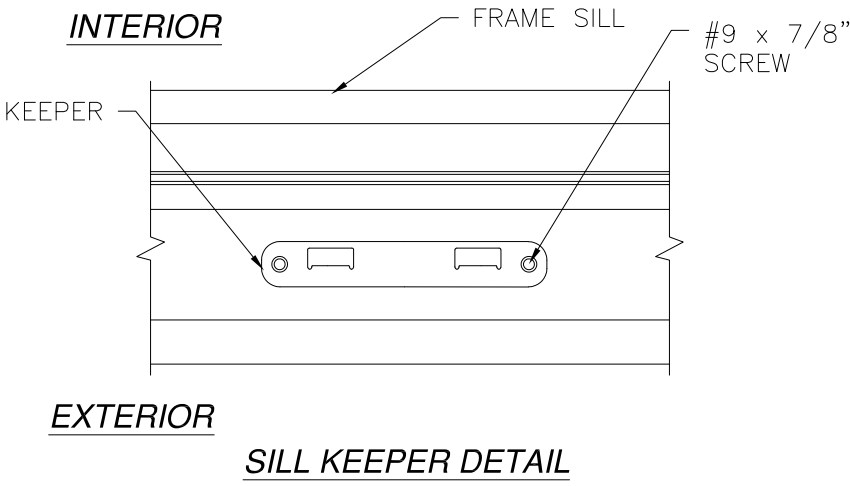
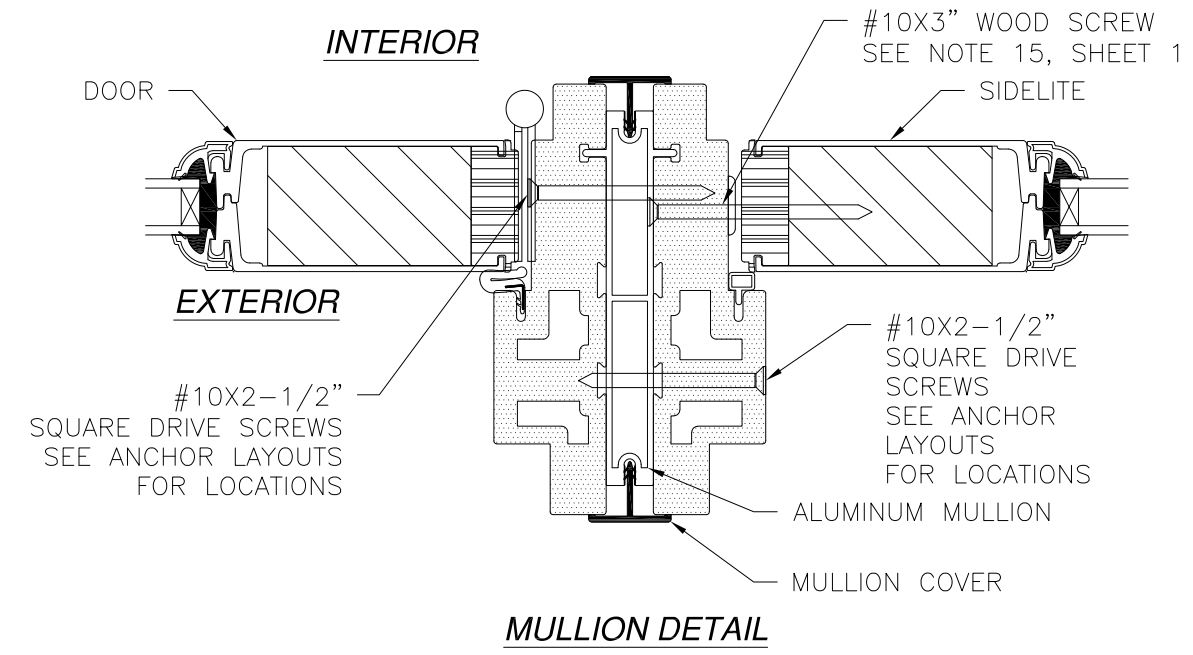
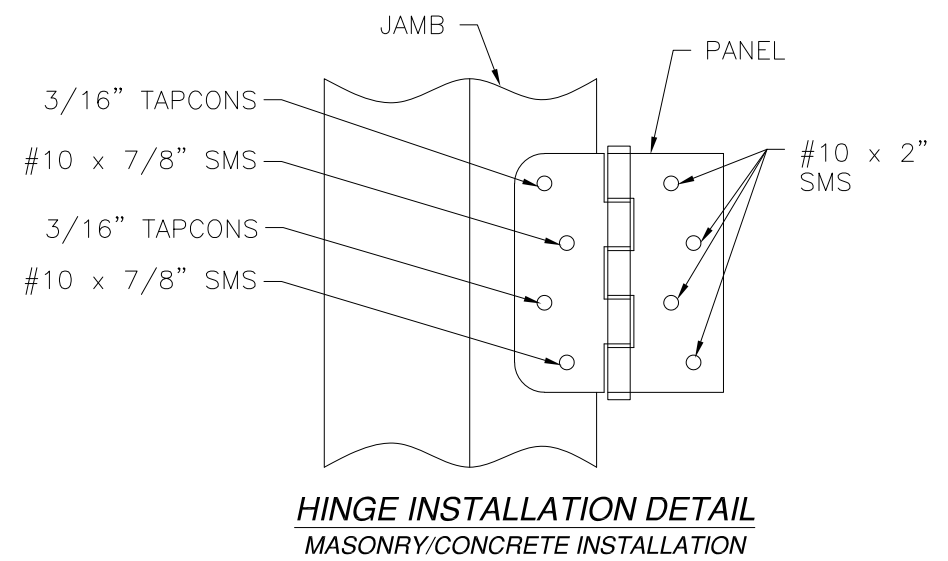
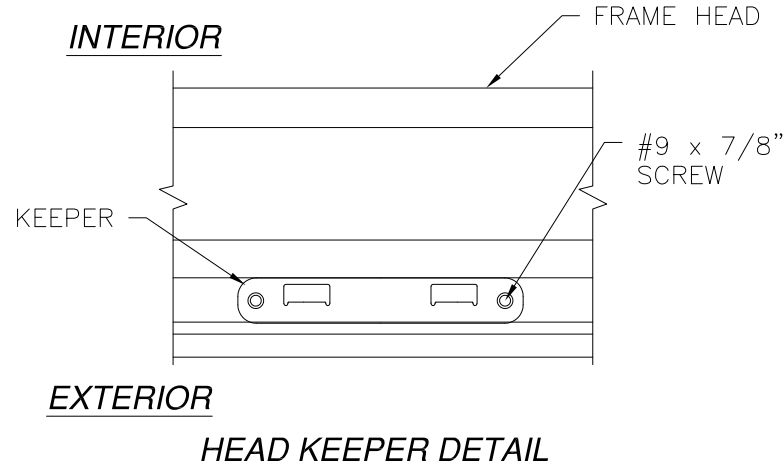
<p>NAN YA PLASTICS CORP. USA 8989 NORTH LOOP EAST HOUSTON, TX 77029</p>		
<p>SERIES SLPS 6'11" INSWING 3/4 LITE PATIO DOOR NON-IMPACT SIDELITE INSTALLATION DETAILS</p>		
<p>DRAWN: V.L.</p>	<p>DWG NO. 08-02390</p>	<p>REV B</p>
<p>SCALE NTS</p>	<p>DATE 08/05/14</p>	<p>SHEET 11 OF 13</p>
<p>L. ROBERTO LOMAS P.E. 1432 WOODFORD RD LEWISVILLE, NC 27023 434-688-0609 rllomas@rlomaspe.com</p>		



Luis R. Lomas P.E.
TX No.: 101889
Firm No: F-23130

SIDELITE INSTALLATION DETAIL
MASONRY/CONCRETE

REVISIONS			
REV	DESCRIPTION	DATE	APPROVED
A	REVISED PER NEW CODE	12/17/2021	R.L.



SIGNED: 12/17/2021

NAN YA PLASTICS CORP. USA
8989 NORTH LOOP EAST
HOUSTON, TX 77029

SERIES SLPS 6'11" INSWING
3/4 LITE PATIO DOOR NON-IMPACT
INSTALLATION DETAILS

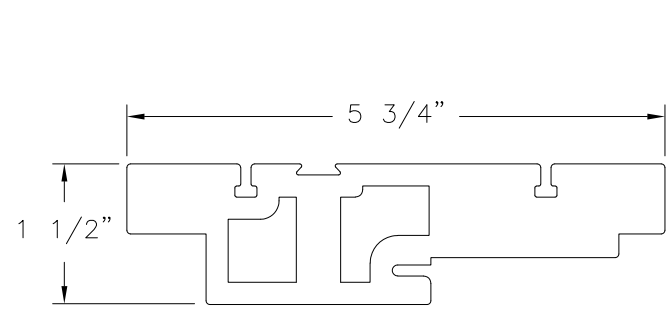
DRAWN: V.L.	DWG NO. 08-02390	REV B
SCALE NTS	DATE 08/05/14	SHEET 12 OF 13

L. ROBERTO LOMAS P.E.
1432 WOODFORD RD LEWISVILLE, NC 27023
434-688-0609 rllomas@rlomaspe.com

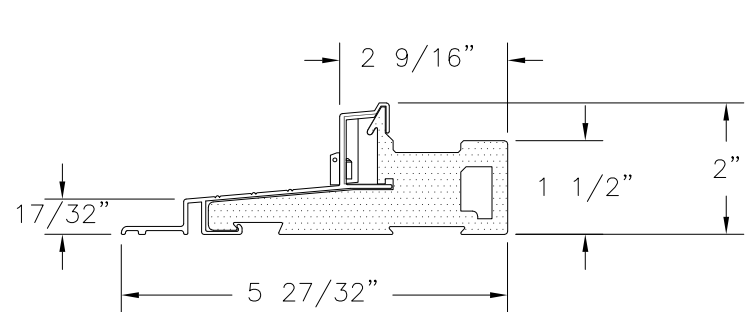


Luis R. Lomas P.E.
TX No.: 101889
Firm No: F-23130

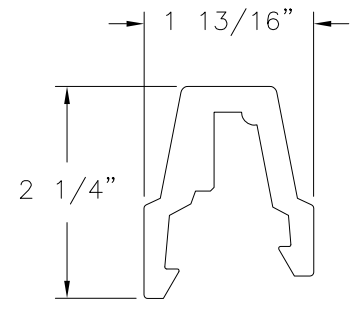
REVISIONS			
REV	DESCRIPTION	DATE	APPROVED
A	REVISED PER NEW CODE	12/17/2021	R.L.



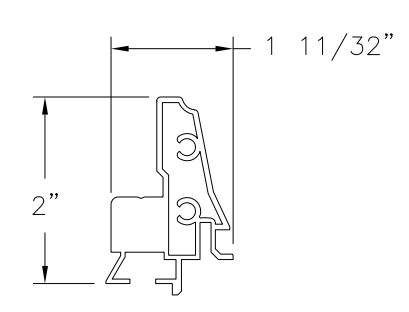
HEAD FRAME & JAMB
FOAM PVC CO-EX



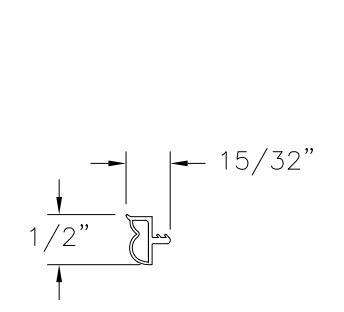
INSWING DOOR SILL DETAIL



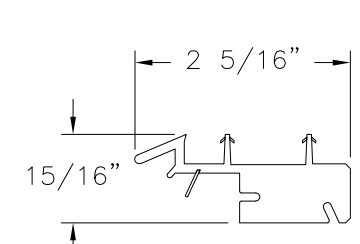
MULLION COVER (B)
FOAM PVC



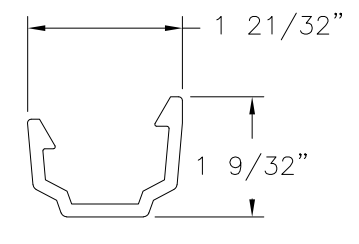
REINFORCEMENT (B)
ALUMINUM



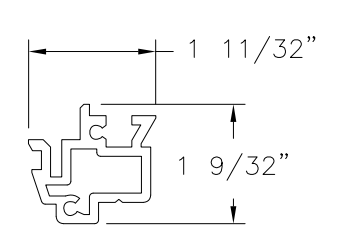
WEATHER STRIP (C)
EPDM



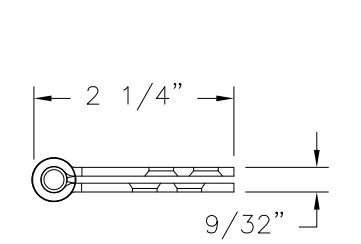
DOOR BOTTOM
FOAM & RIGID PVC



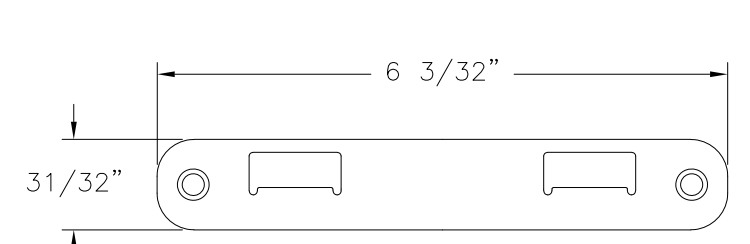
T-ASTRAGAL (A)
RIGID PVC



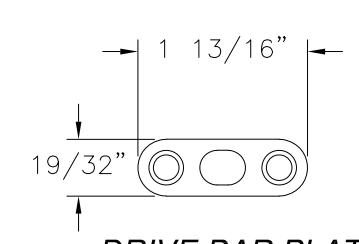
REINFORCEMENT (A)
ALUMINUM



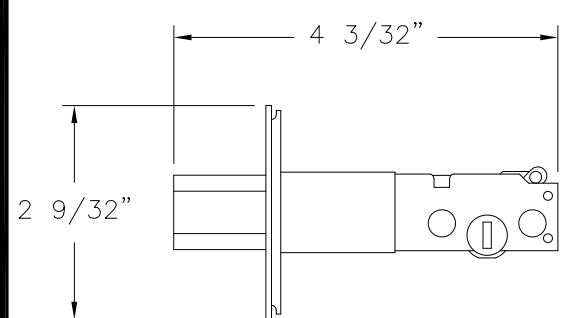
4" X 4" DOOR HINGE
STEEL



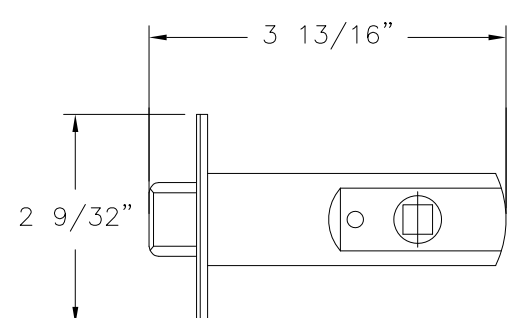
TOP/BOTTOM BAR KEEPER
STAINLESS STEEL BY JAM YUAN ENTERPRISES CO., LTD.



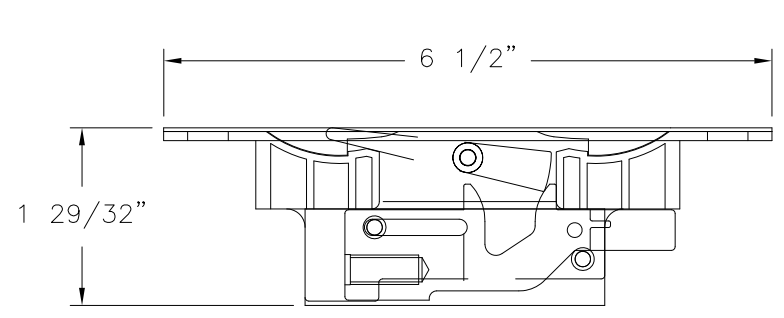
DRIVE BAR PLATE
STAINLESS STEEL
BY JAM YUAN ENTERPRISES CO., LTD.



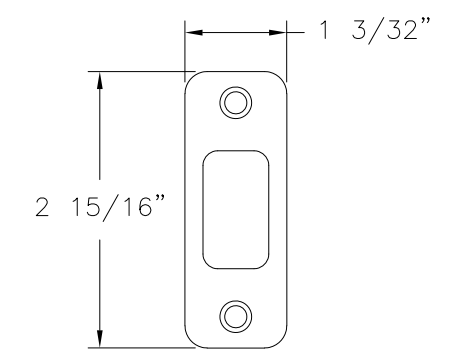
DOOR DEADBOLT
STEEL (SS92Y
BY JAM YUAN ENTERPRISES CO.,LTD)



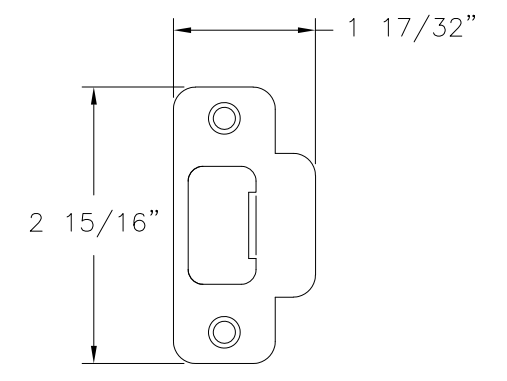
DOOR LATCH
STEEL (SS92Y
BY JAM YUAN ENTERPRISES CO.,LTD)



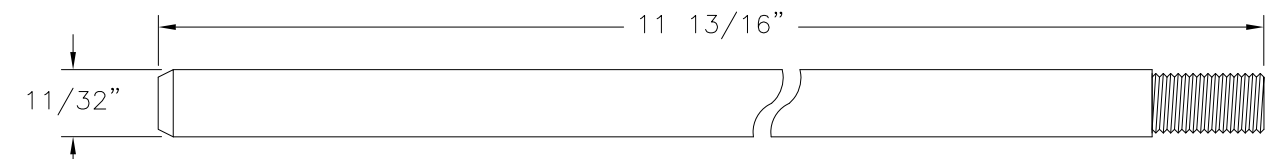
FLUSH BOLT MECHANISM
DIE CAST, STEEL, POM (SS93X
BY JAM YUAN ENTERPRISES CO., LTD)



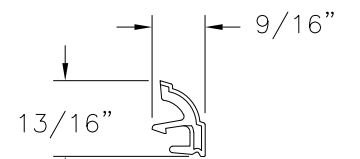
DEADBOLT KEEPER
STAINLESS STEEL
BY JAM YUAN ENTERPRISES CO., LTD



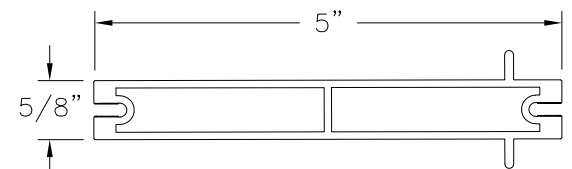
LATCH KEEPER
STAINLESS STEEL
BY JAM YUAN ENTERPRISES CO., LTD



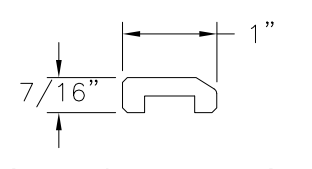
FLUSH BOLT BAR
STAINLESS STEEL
BY JAM YUAN ENTERPRISES CO., LTD



3/4" GLAZING BEAD
PVC



ALUMINUM MULLION
ALUMINUM



STATIONARY BASE
FOAM PVC

SIGNED: 12/17/2021

NAN YA PLASTICS CORP. USA
8989 NORTH LOOP EAST
HOUSTON, TX 77029

SERIES SLPS 6'11" INSWING
3/4 LITE PATIO DOOR NON-IMPACT
COMPONENTS

DRAWN: V.L.	DWG NO. 08-02390	REV B
SCALE NTS	DATE 08/05/14	SHEET 13 OF 13

L. ROBERTO LOMAS P.E.
1432 WOODFORD RD LEWISVILLE, NC 27023
434-688-0609 rllomas@rlomaspe.com



Luis R. Lomas P.E.
TX No.: 101889
Firm No: F-23130