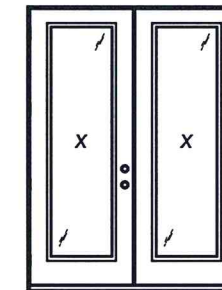
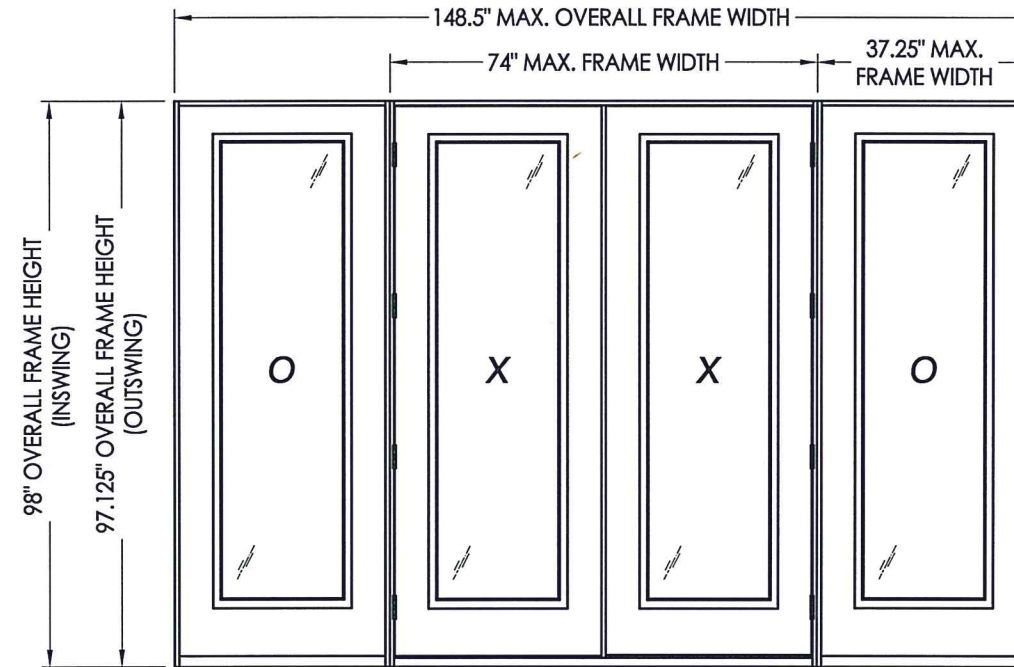


plastpro

5200 W. CENTURY BLVD.
LOS ANGELES, CA 90045

GLAZED FIBERGLASS DOORS DOUBLES w/ or w/o SIDELITES IN SWING / OUT SWING "IMPACT"



XX

CONFIG.	MAX. FRAME DIMENSION	DESIGN PRESSURE (PSF) INSWING		DESIGN PRESSURE (PSF) OUTSWING	
		POS.	NEG.	POS.	NEG.
XX	74.0" x 98.0"	+45.0	-50.0	+45.0	-45.0
OXXO	148.5" x 98.0"	+45.0	-50.0	+45.0	-45.0

SEE SHEET 8 FOR ASTRAGAL DESIGN PRESSURE LIMITATIONS

EVALUATED FOR USE IN THE STATE OF TEXAS

The Fiberglass Door system described herein complies with the 2018 International Residential Code (IRC), Sections R301 & R609 and the 2018 International Building Code (IBC), Sections 1404.13, 1609, 1709.5, 2403 and 2404 subject to the following conditions:

1. Anchors shall be as listed and spaced as shown in the details. Anchor embedment to base material shall be beyond wall dressing or stucco.
2. This system has been tested and evaluated as a large missile impact protective system for installation in areas that require wind borne debris protection. This product meets missile level "D" as defined in ASTM E 1996.
3. Allowable design pressure requirements must be equal to or less than the design pressure rating shown in the design pressure chart, sheet 1 of this drawing.
4. Conditions not covered by this drawing are subject to further engineering analysis.

TABLE OF CONTENTS

SHEET #	DESCRIPTION
1	Typical Elevations, Design Pressures & General Notes
2	Door Panel Details
3	Sidelite Panel Details
4	Elevations
5	Horizontal & Vertical Cross Sections
6	Vertical Cross Sections
7	Frame anchoring & Hardware details
8	Bill of Materials & Components



Documents Prepared By: Lyndon F. Schmidt, P.E.
TEXAS P.E. #104123

RW BUILDING CONSULTANTS, INC.
P.O. Box 230 Vairico FL. 33595
Phone No.: 813.659.9197
TEXAS BOARD OF PROFESSIONAL ENGINEERS
CERTIFICATE OF REGISTRATION # F-11852

PRODUCT: PLASTPRO INC. FIBERGLASS DOOR
PART OR ASSEMBLY: TYPICAL ELEVATION, DESIGN PRESSURES & GENERAL NOTES

NO.	DATE	BY	REVISIONS

DATE: 8/18/22

SCALE: N.T.S.

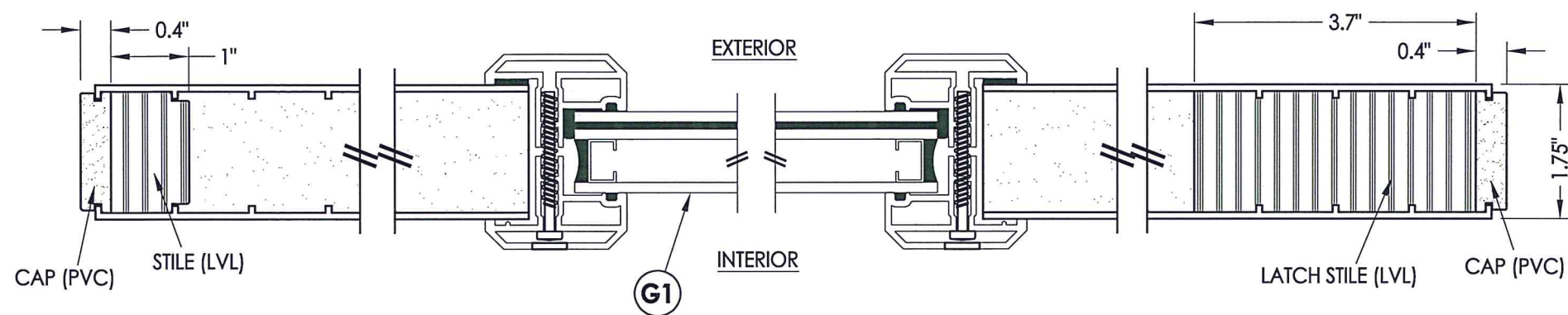
DWG. BY: LFS

CHK. BY: RW

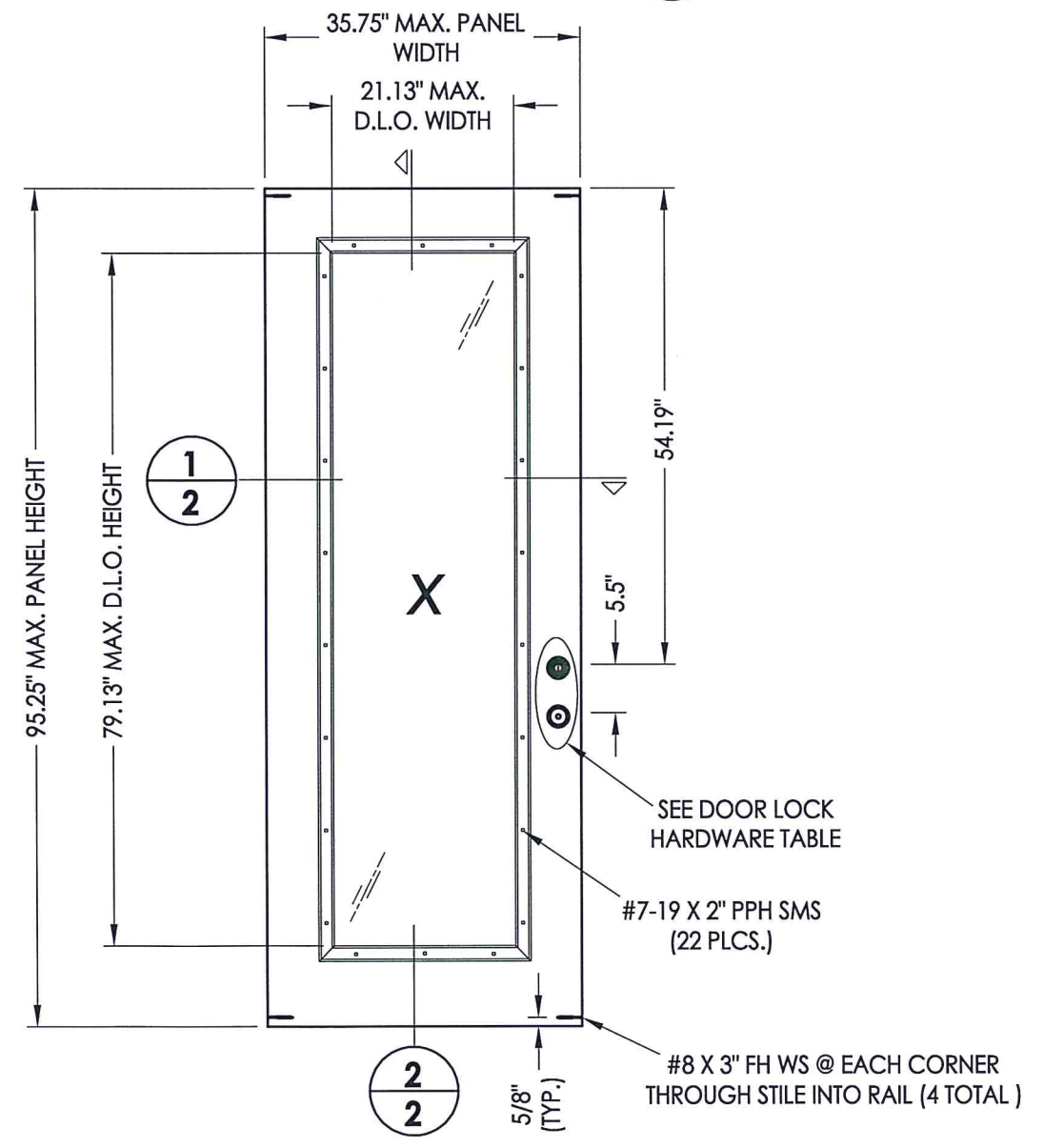
DRAWING NO.: TX-5284

SHEET 1 OF 8

Z:\Clients\Plastpro, Inc PERMANENT\B - TD\TDI - DR XXXX 8-0 OPQ & GLZ Impact\C - Drawings\TX-5284.dwg



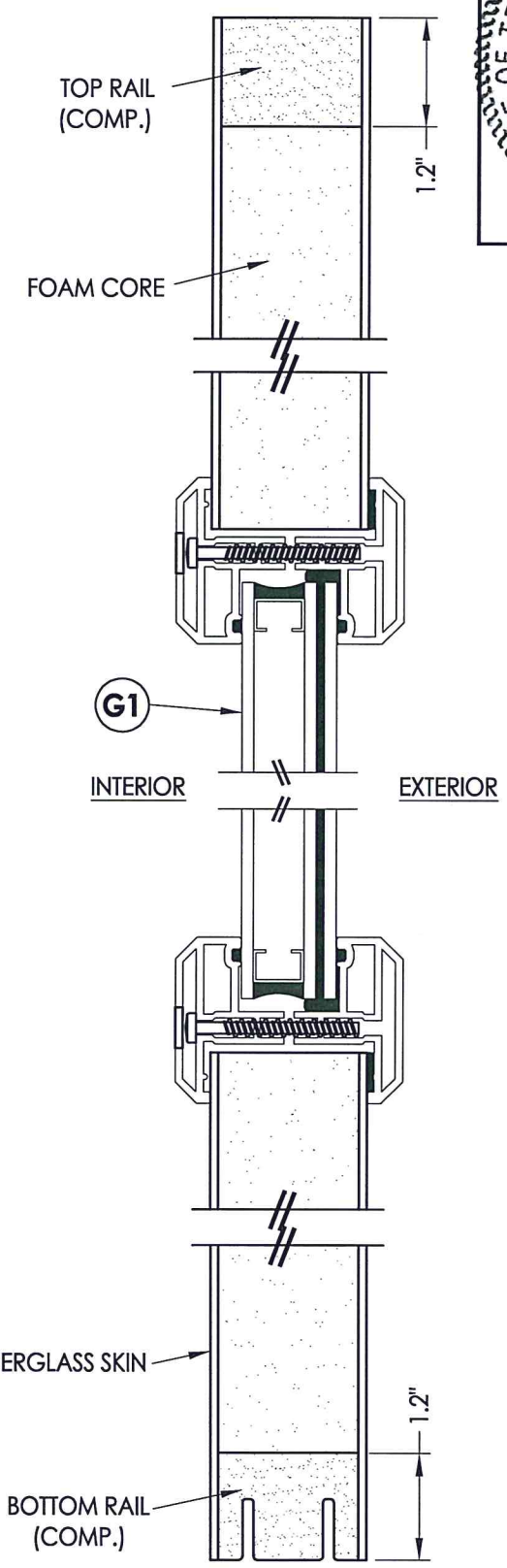
1
2 HORIZONTAL CROSS SECTION



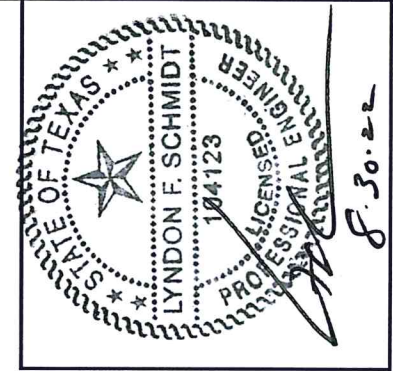
50 PLASTPRO DOOR PANEL

FIBERGLASS SKIN: 0.075" MIN. THK.
FOAM CORE: POLYURETHANE

HARDWARE TABLE		
MANUFACTURER	MODEL	
Kwikset	KNOB:	SERIES (400)
	DEADBOLT:	SERIES (660)
Kwikset	KNOB:	SIGNATURE SERIES
	DEADBOLT:	SIGNATURE SERIES (980)
Schlage	KNOB:	F-SERIES (F51)
	DEADBOLT:	B-SERIES (B60)



2
2 VERTICAL CROSS SECTION



Documents Prepared By: Lyndon F. Schmidt, P.E.
TEXAS P.E. #104123

RW BUILDING CONSULTANTS, INC.
P.O. Box 230 Valrico FL, 33595
Phone No.: 813.659.9197

TEXAS BOARD OF PROFESSIONAL ENGINEERS
CERTIFICATE OF REGISTRATION # F-11852

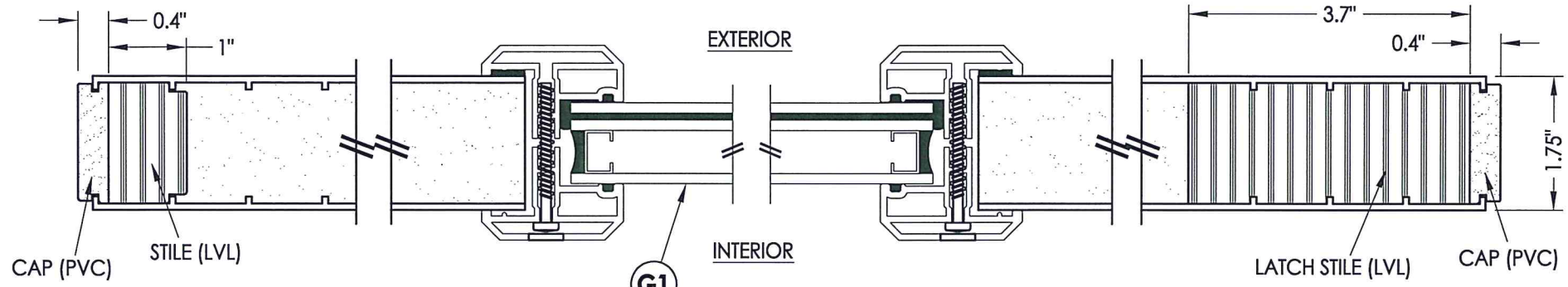
PRODUCT: PLASTPRO INC. FIBERGLASS DOOR

PART OR ASSEMBLY: DOOR PANEL DETAILS

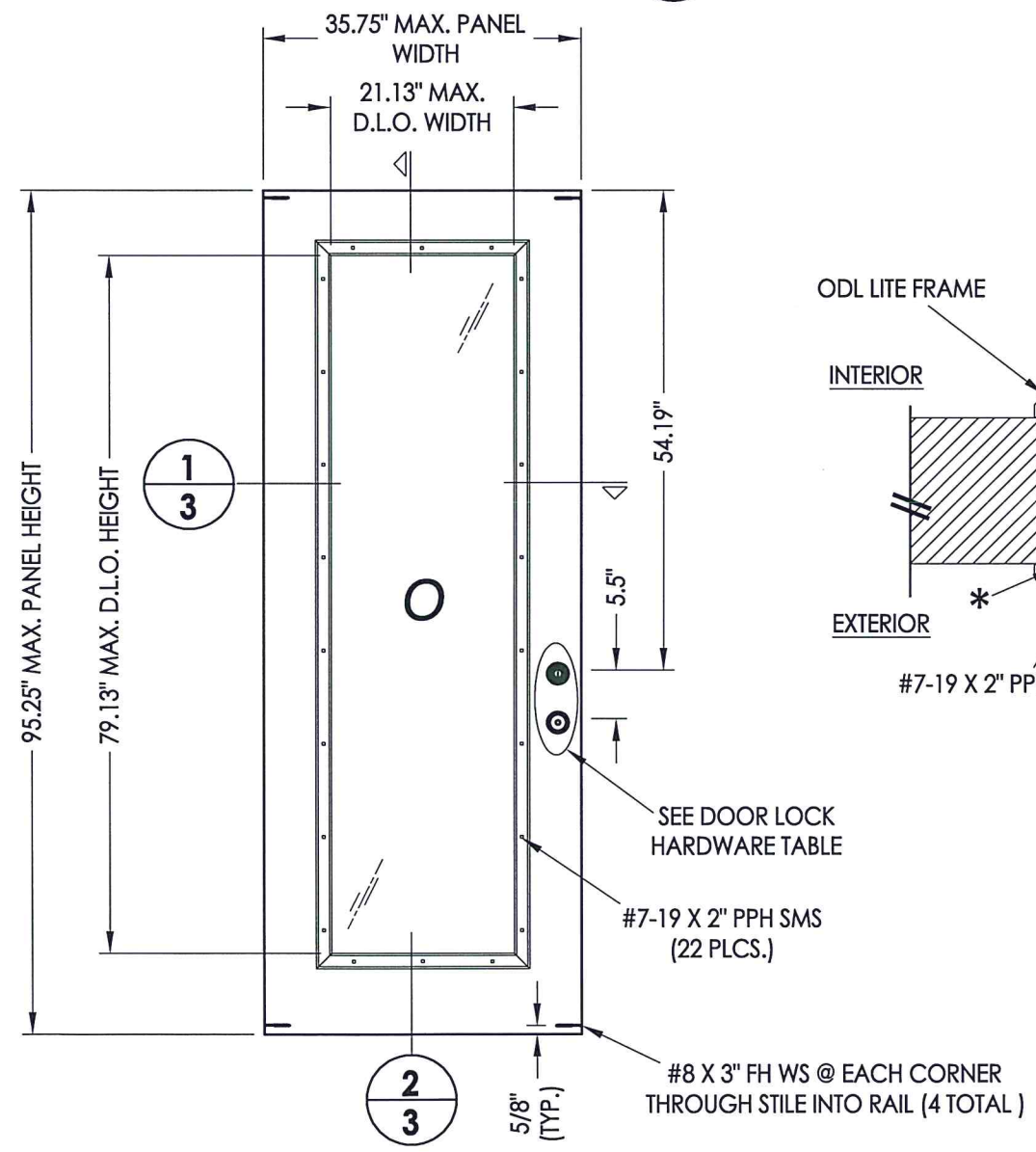
NO.	DATE	BY
REVISIONS		

DATE: 8/18/22
SCALE: N.T.S.
DWG. BY: LFS
CHK. BY: RW
DRAWING NO.: TX-5284
SHEET 2 OF 8

Z:\Clients\Plastpro, Inc PERMANENT\B - TD\TDI - DR XXXX 8-0 OPQ & GLZ Impact\C - Drawings\TX-5284.dwg

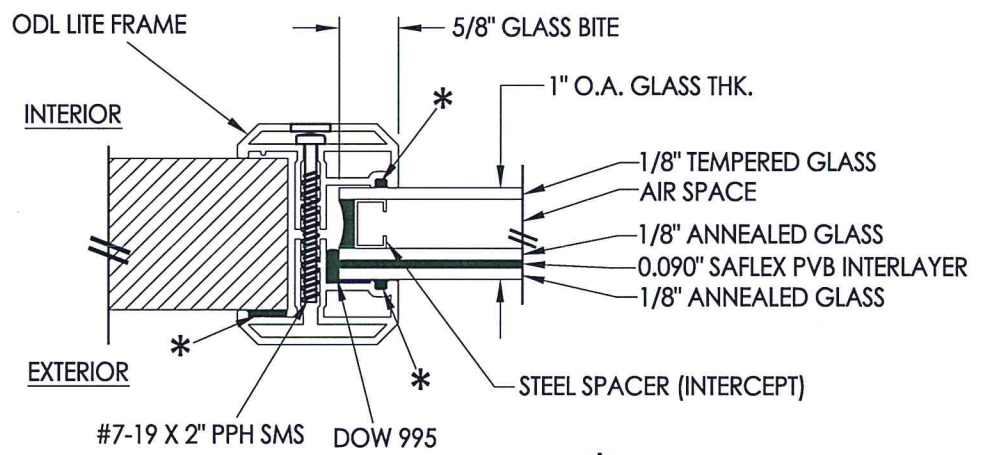


1
3 HORIZONTAL CROSS SECTION



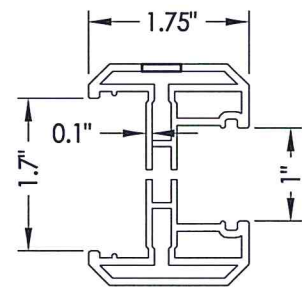
50 PLASTPRO SIDELITE PANEL

FIBERGLASS SKIN: 0.075" MIN. THK.
FOAM CORE: POLYURETHANE

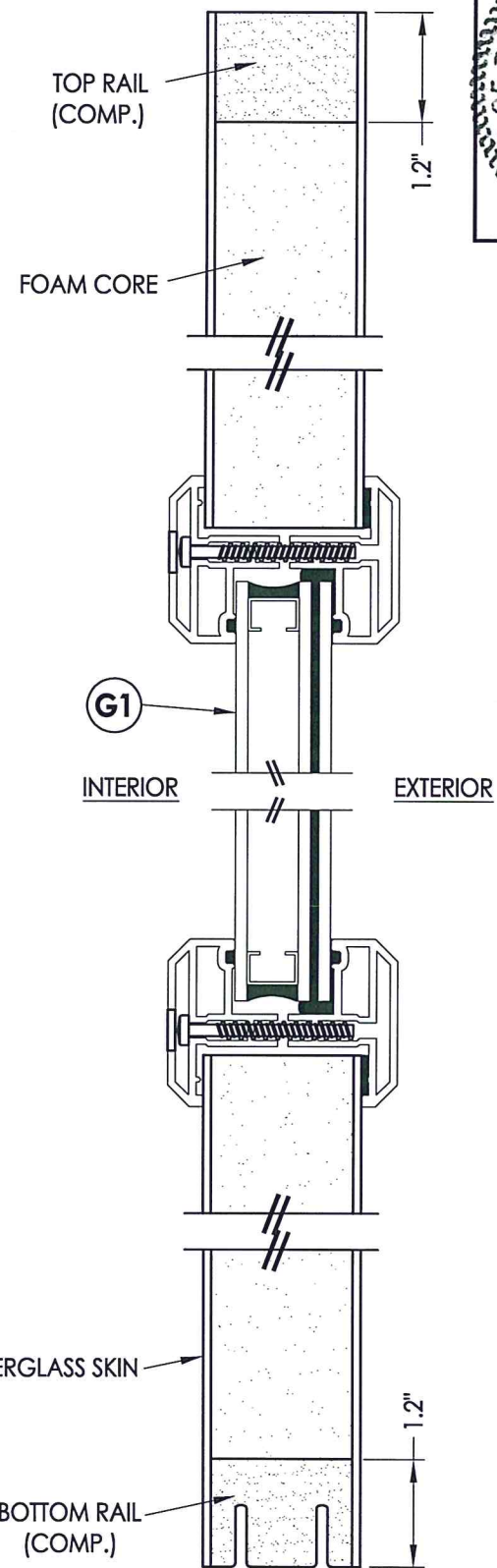


G1 GLAZING DETAIL

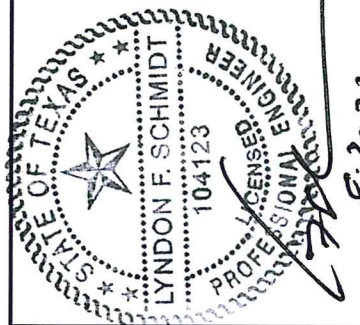
* NON-STRUCTURAL BACKBEDDING (READI-SEAL)



ODL ALUMINUM LITE FRAME DETAIL
"Flat Frame" Profile



2
3 VERTICAL CROSS SECTION



Documents Prepared By: Lyndon F. Schmidt, P.E.
TEXAS P.E. #104123

RW BUILDING CONSULTANTS, INC.
P.O. Box 230 Valrico FL 33595
Phone No.: 813.659.9197

TEXAS BOARD OF PROFESSIONAL ENGINEERS
CERTIFICATE OF REGISTRATION # F-11852

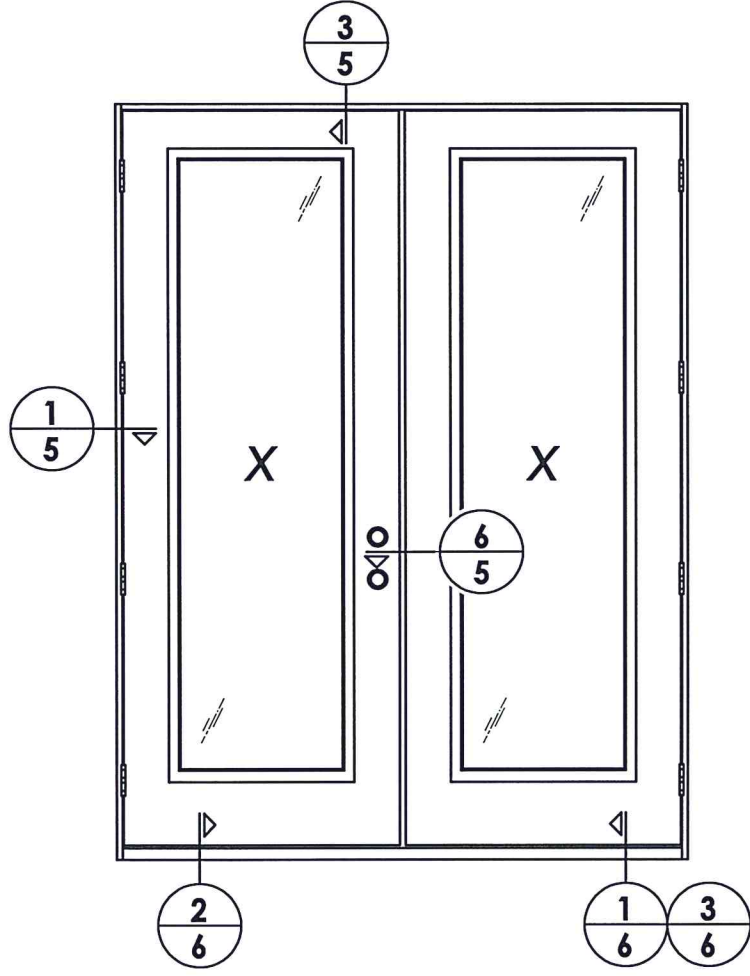
PRODUCT: PLASTPRO INC
FIBERGLASS DOOR

PART OR ASSEMBLY:
SIDELITE
PANEL DETAILS

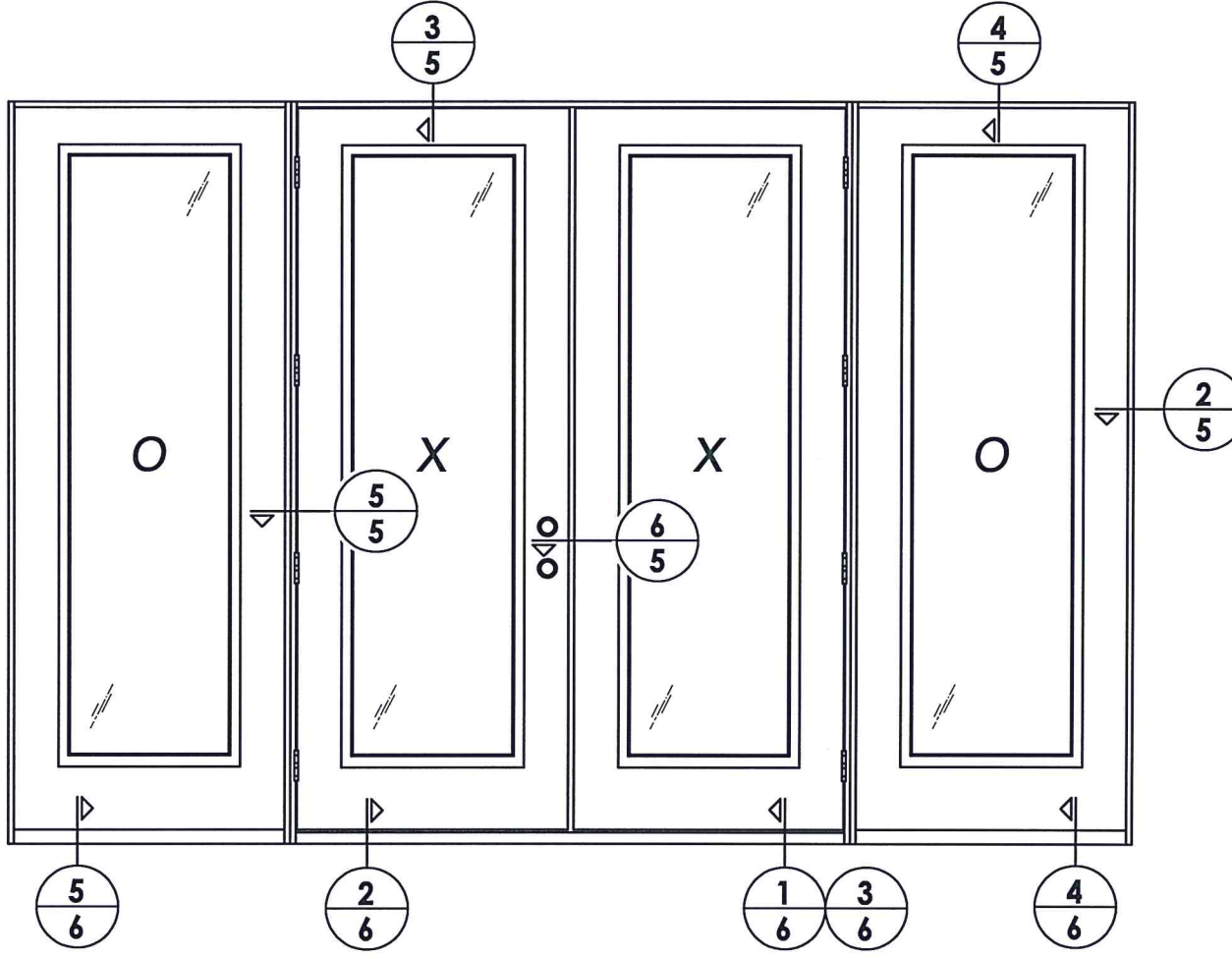
NO.	DATE	BY	REVISIONS

DATE: 8/18/22
SCALE: N.T.S.
DWG. BY: RW
CHK. BY: RW
DRAWING NO.: TX-5284
SHEET 3 OF 8

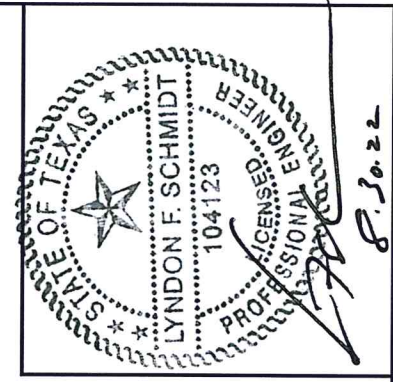
© 2022 R.W. BUILDING CONSULTANTS INC.



ELEVATION
XX



ELEVATION
OXO



Documents Prepared By: Lyndon F. Schmidt, P.E.
TEXAS P.E. #104123

RW BUILDING CONSULTANTS, INC.
P.O. Box 230 Valrico FL 33595
Phone No.: 813.659.9197

TEXAS BOARD OF PROFESSIONAL ENGINEERS
CERTIFICATE OF REGISTRATION # F-11852

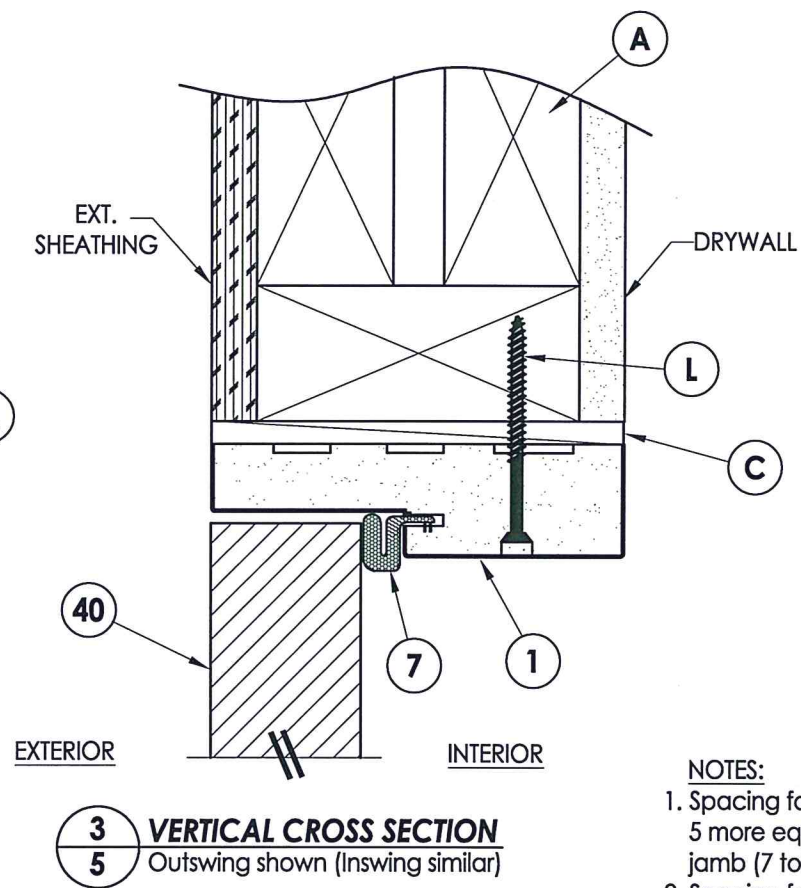
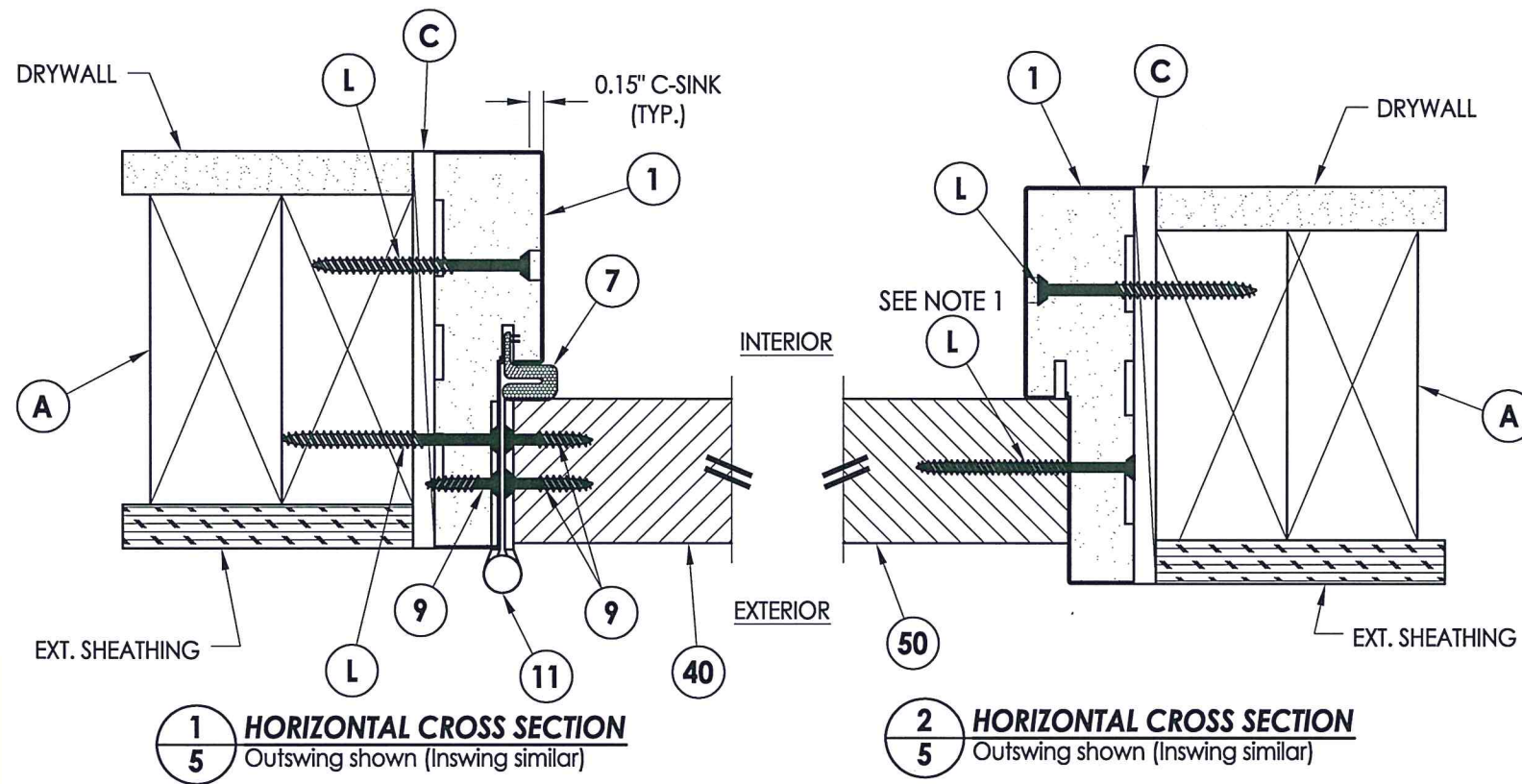
PRODUCT: PLASTPRO INC.
FIBERGLASS DOOR

PART OR ASSEMBLY:
ELEVATIONS

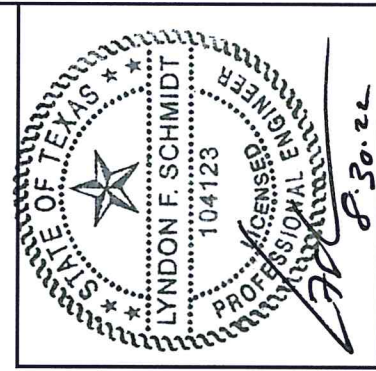
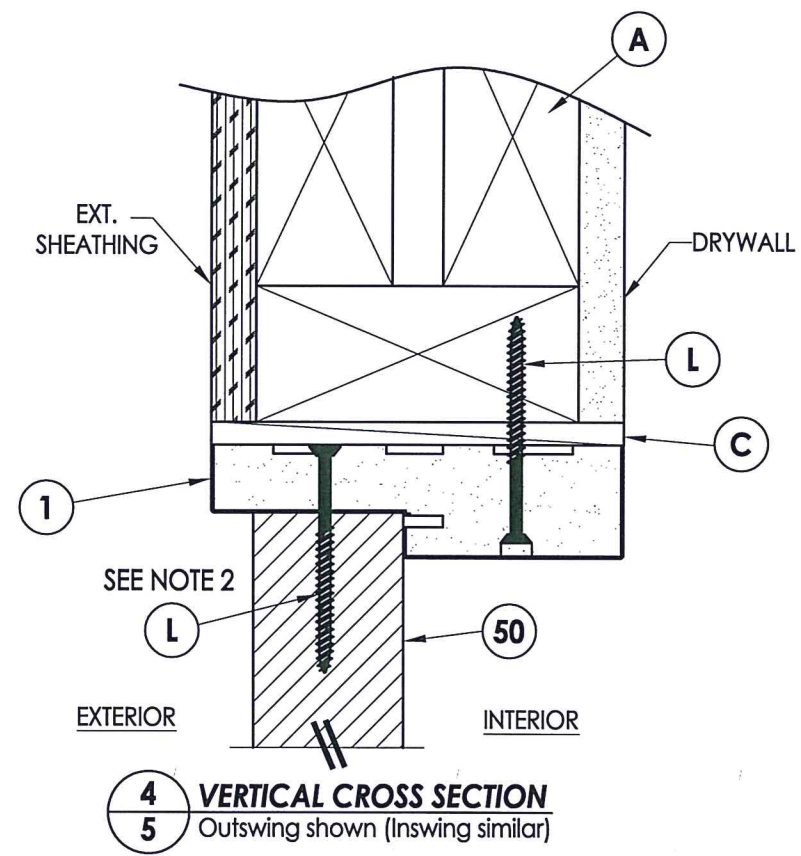
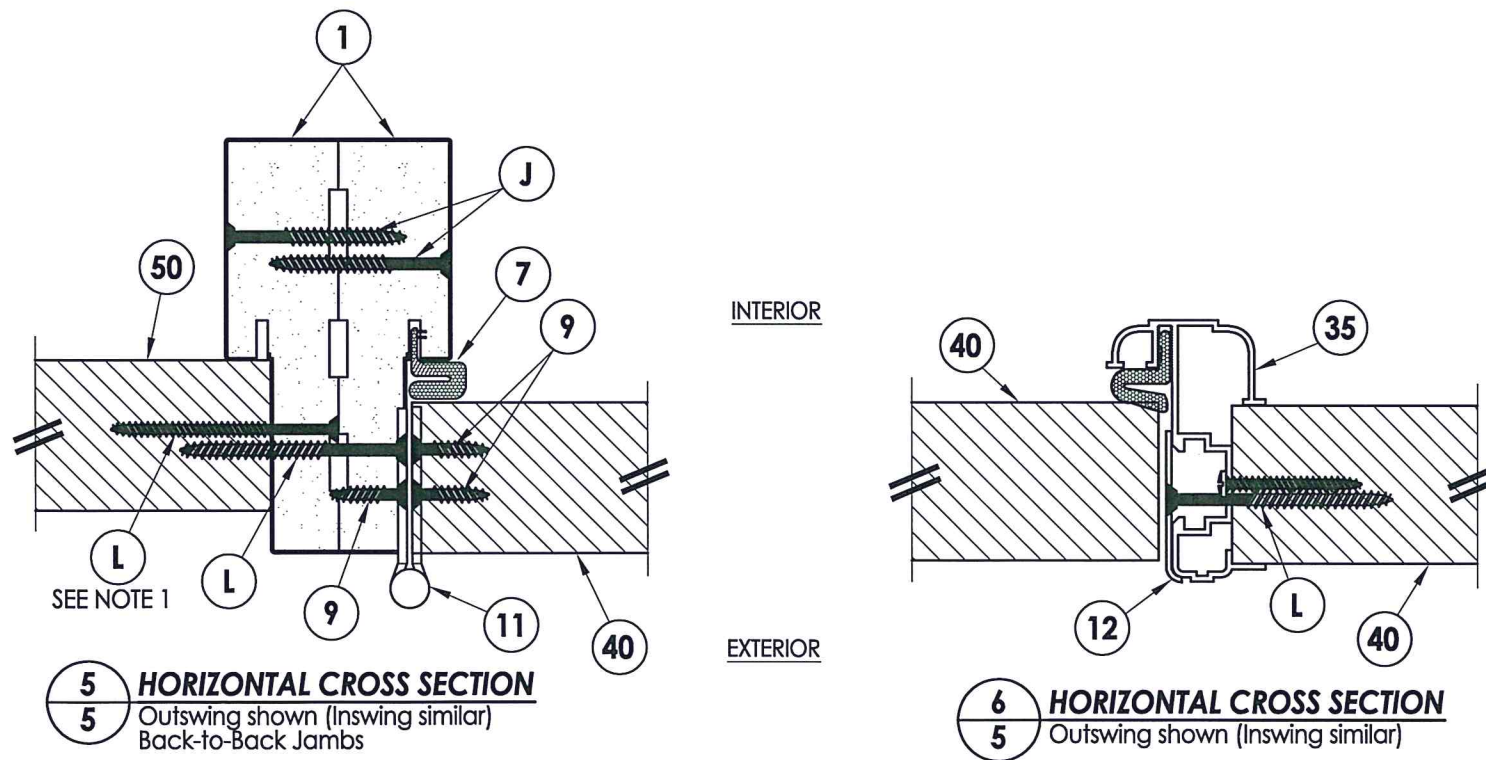
REVISIONS		BY
NO.	DATE	

DATE: 8/18/22
SCALE: N.T.S.
DWG. BY: LFS
CHK. BY: RW
DRAWING NO.: TX-5284
SHEET 4 OF 8

Z:\Clients\Plastpro, Inc PERMANENT B - TD\TDI - DR XXXX 8-0 OPQ & GLZ Impact C - Drawings\TX-5284.dwg



NOTES:
 1. Spacing for item L: 6" from each end plus 5 more equally spaced along sidelite jamb (7 total).
 2. Spacing for item L @ head & sill: 6" from ends (2 total).



Documents Prepared By: Lyndon F. Schmidt, P.E.
 TEXAS P.E. #104123

RW BUILDING CONSULTANTS, INC.
 P.O. Box 230 Valrico FL 33595
 Phone No.: 813.659.9197

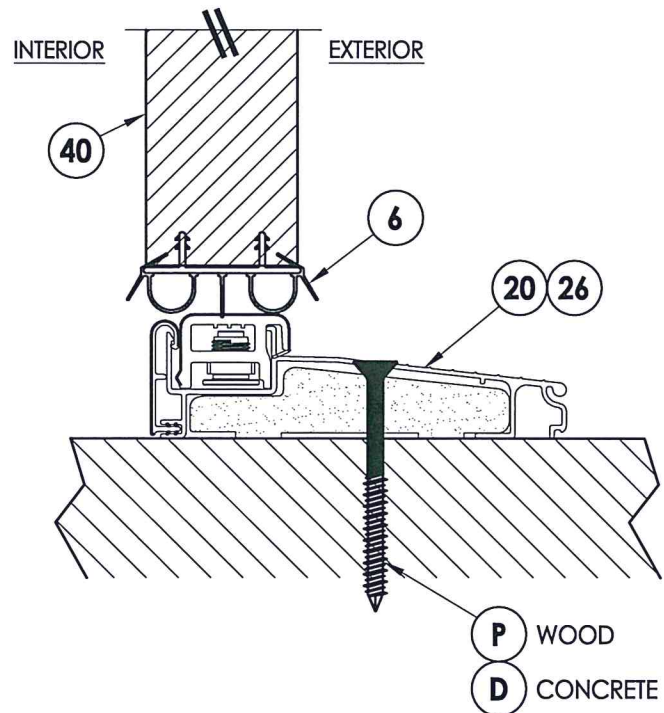
TEXAS BOARD OF PROFESSIONAL ENGINEERS
 CERTIFICATE OF REGISTRATION # F-11852

PRODUCT: PLASTPRO INC. FIBERGLASS DOOR

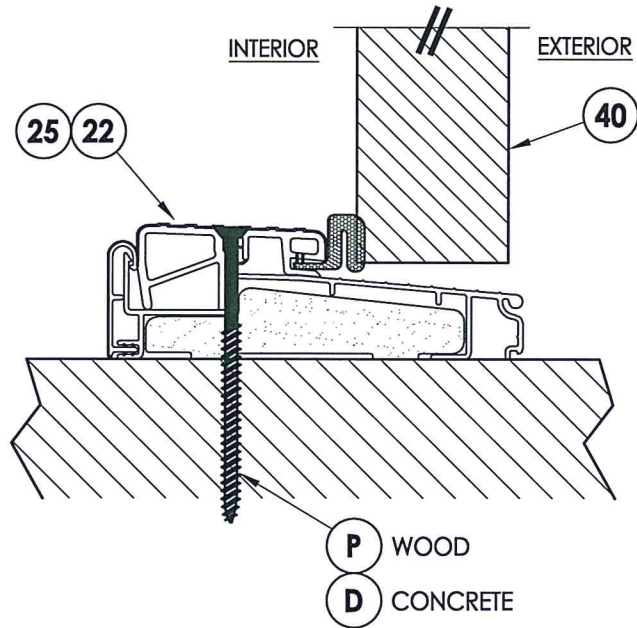
PART OR ASSEMBLY: HORIZONTAL & VERTICAL CROSS SECTIONS

NO.	DATE	BY	REVISIONS

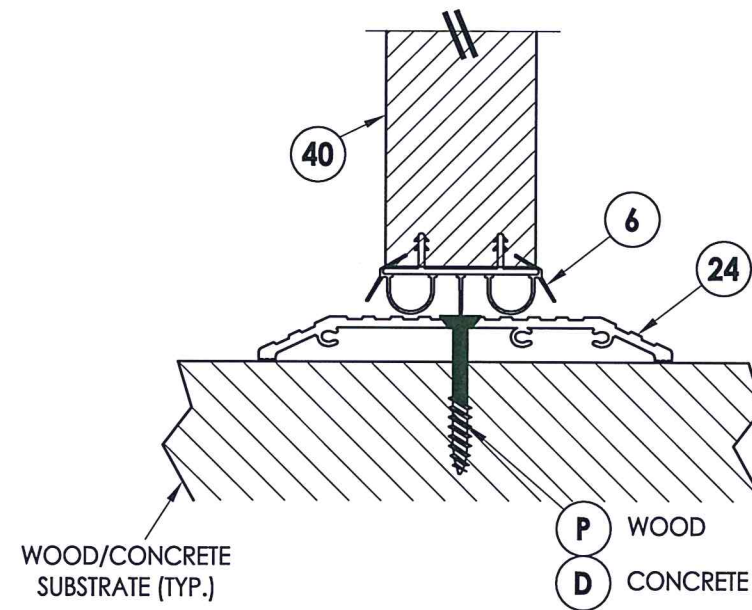
DATE: 8/18/22
 SCALE: N.T.S.
 DWG. BY: LFS
 CHK. BY: RW
 DRAWING NO.: TX-5284
 SHEET 5 OF 8



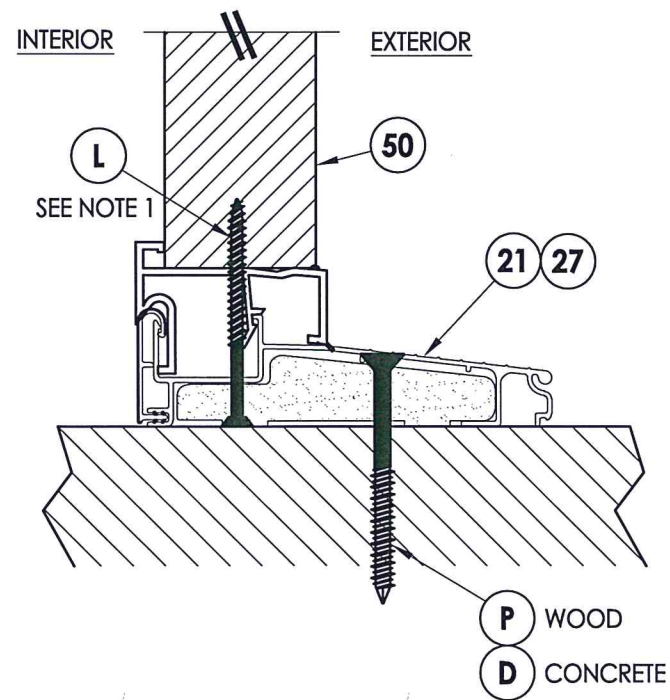
1 VERTICAL CROSS SECTION
6 Inswing Sill



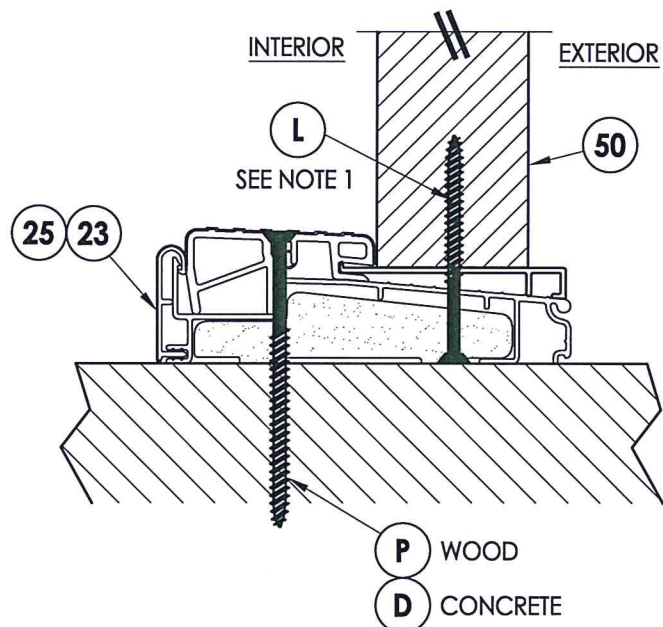
2 VERTICAL CROSS SECTION
6 Outswing Sill



3 VERTICAL CROSS SECTION
6 ADA Sill

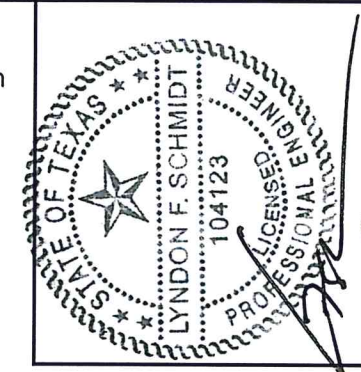


4 VERTICAL CROSS SECTION
6 Inswing Sill



5 VERTICAL CROSS SECTION
6 Outswing Sill

NOTE:
1. Spacing for item L @ head & sill: 6" from each end (2 total).



Documents Prepared By: Lyndon F. Schmidt, P.E.
TEXAS P.E. #104123

RW BUILDING CONSULTANTS, INC.
P.O. Box 230 Valrico FL 33595
Phone No.: 813.659.9197

TEXAS BOARD OF PROFESSIONAL ENGINEERS
CERTIFICATE OF REGISTRATION # F-11852

PRODUCT: PLASTPRO INC. FIBERGLASS DOOR

PART OR ASSEMBLY: VERTICAL CROSS SECTIONS

NO.	DATE	BY	REVISIONS

DATE: 8/18/22
SCALE: N.T.S.
DWG. BY: LFS
CHK. BY: RW
DRAWING NO.: TX-5284
SHEET 6 OF 8

