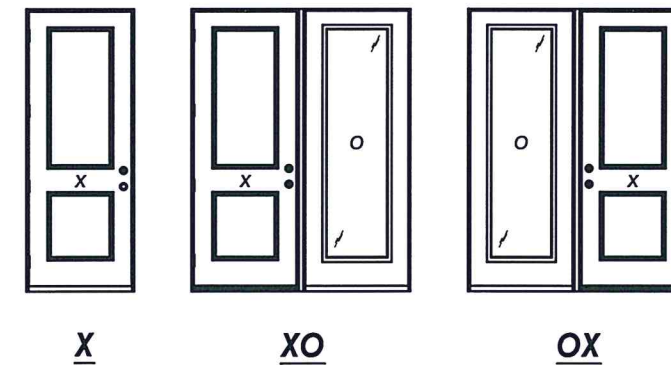
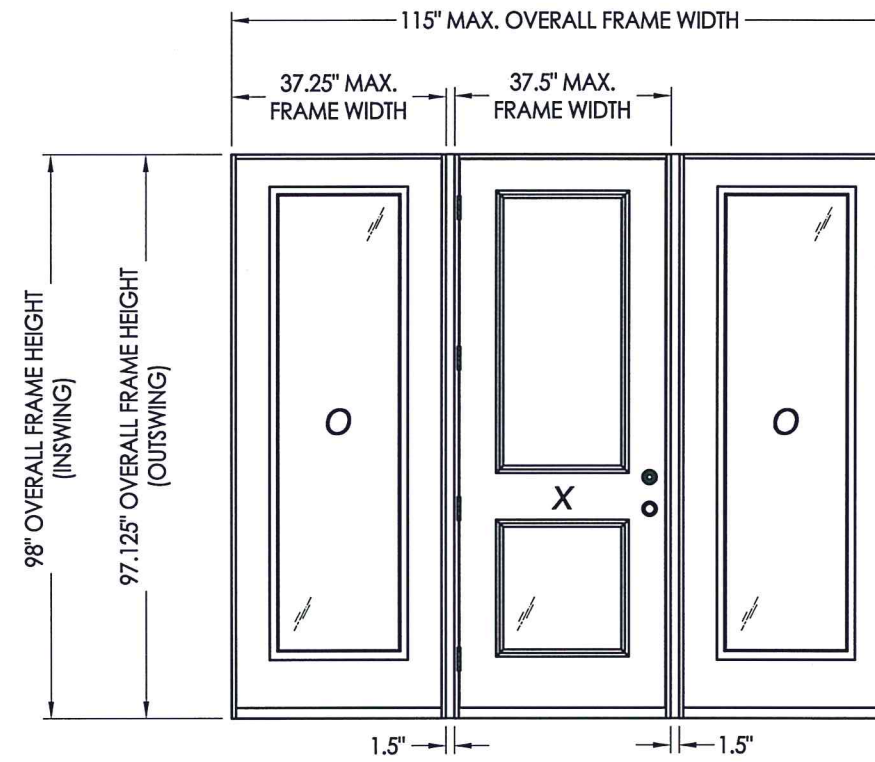


plastpro

5200 W. CENTURY BLVD.
LOS ANGELES, CA 90045

OPAQUE FIBERGLASS DOORS SINGLES w/ or w/o SIDELITES IN SWING / OUT SWING "IMPACT"



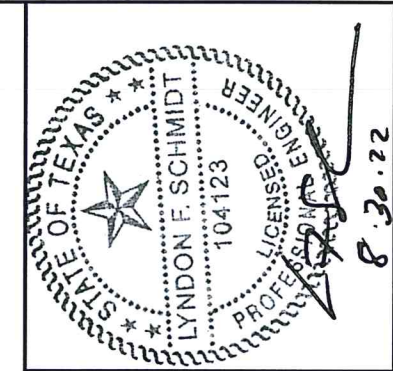
CONFIGURATION	MAX. FRAME DIMENSION	JAMB REINFORCEMENT	DESIGN PRESSURE (PSF) INSWING		DESIGN PRESSURE (PSF) OUTSWING	
			POSITIVE	NEGATIVE	POSITIVE	NEGATIVE
X	37.5" x 98.0"	N/A	+60.0	-65.0	+60.0	-60.0
OX/XO	74.75" x 98.0"	N/A	+40.0	-45.0	+40.0	-40.0
	76.25" x 98.0"	2X	+45.0	-50.0	+45.0	-45.0
OXO	112.0" x 98.0"	N/A	+40.0	-45.0	+40.0	-40.0
	115.0" x 98.0"	2X	+45.0	-50.0	+45.0	-45.0

EVALUATED FOR USE IN THE STATE OF TEXAS

The Fiberglass Door system described herein complies with the 2018 International Residential Code (IRC), Sections R301 & R609 and the 2018 International Building Code (IBC), Sections 1404.13, 1609, 1709.5, 2403 and 2404 subject to the following conditions:

1. Anchors shall be as listed and spaced as shown in the details. Anchor embedment to base material shall be beyond wall dressing or stucco.
2. This system has been tested and evaluated as a large missile impact protective system for installation in areas that require wind borne debris protection. This product meets missile level "D" as defined in ASTM E 1996.
3. Allowable design pressure requirements must be equal to or less than the design pressure rating shown in the design pressure chart, sheet 1 of this drawing.
4. Conditions not covered by this drawing are subject to further engineering analysis.

TABLE OF CONTENTS	
SHEET #	DESCRIPTION
1	Typical Elevations, Design Pressures & General Notes
2	Door Panel Details
3	Sidelite Panel Details
4	Elevations
5	Horizontal Cross Sections
6	Horizontal & Vertical Cross Sections
7	Vertical Cross Sections
8	Frame Anchoring
8	Hardware Details
9	Components
10	Bill of Materials & Components



Documents Prepared By: Lyndon F. Schmidt, P.E.
TEXAS P.E. #104123

RW BUILDING CONSULTANTS, INC.
P.O. Box 230 Valrico FL 33595
Phone No.: 813.659.9197

TEXAS BOARD OF PROFESSIONAL ENGINEERS
CERTIFICATE OF REGISTRATION # F-11852

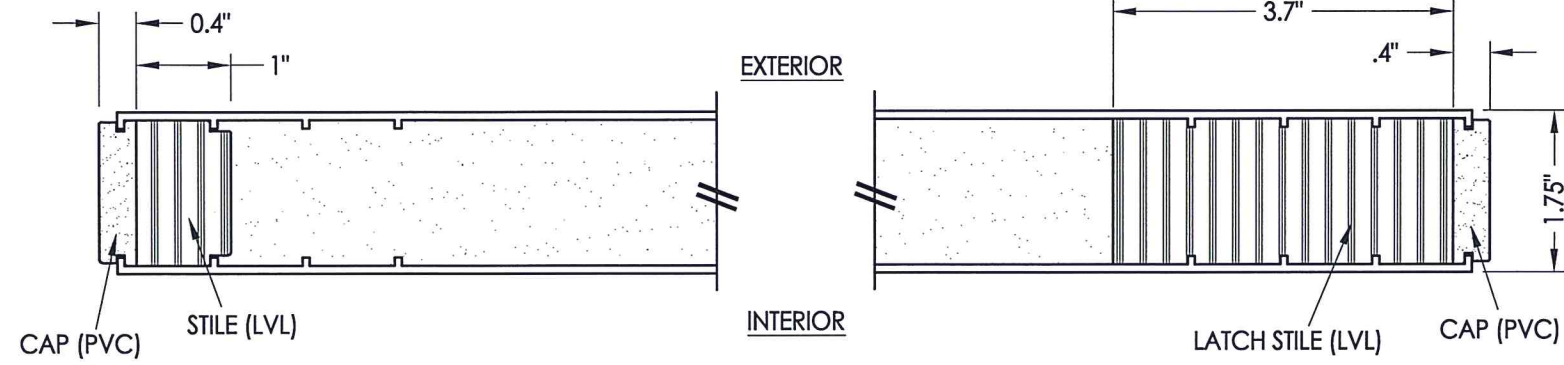
PRODUCT: PLASTPRO INC FIBERGLASS DOOR

PART OR ASSEMBLY: TYPICAL ELEVATION, DESIGN PRESSURES & GENERAL NOTES

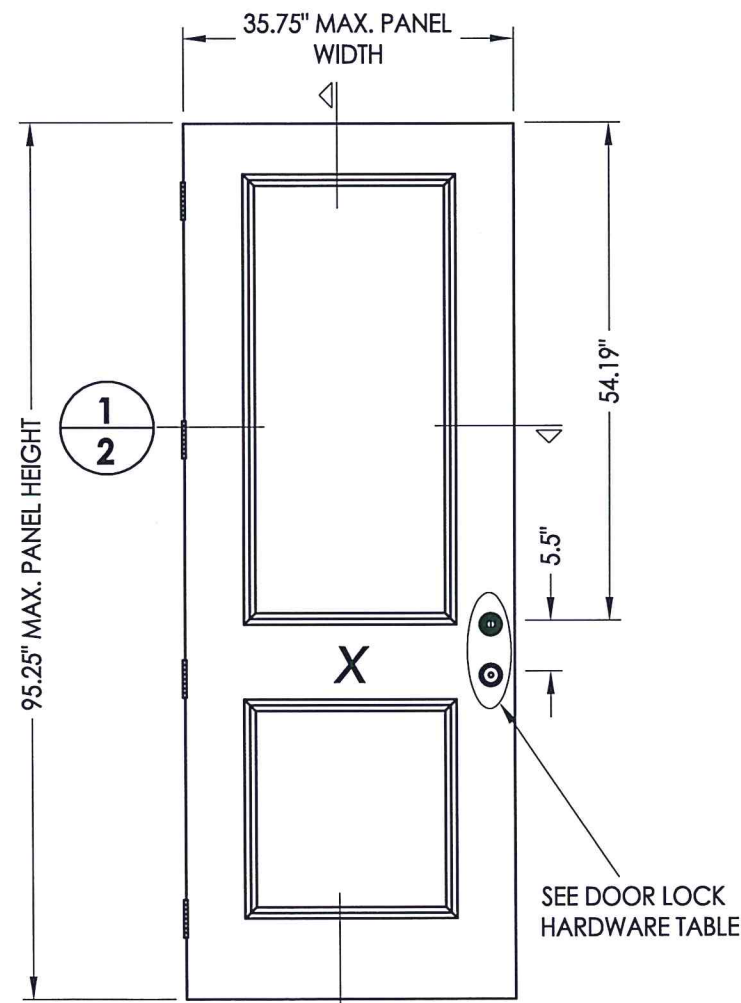
NO.	DATE	BY	REVISIONS

DATE: 8/18/22
SCALE: N.T.S.
DWG. BY: LFS
CHK. BY: RW
DRAWING NO.: TX-5281
SHEET 1 of 10

Z:\Clients\Plastpro, Inc PERMANENT\B - TD\TDI - DR XXXX 8-0 OPQ & GLZ Impact\C - Drawings\TX-5281.dwg

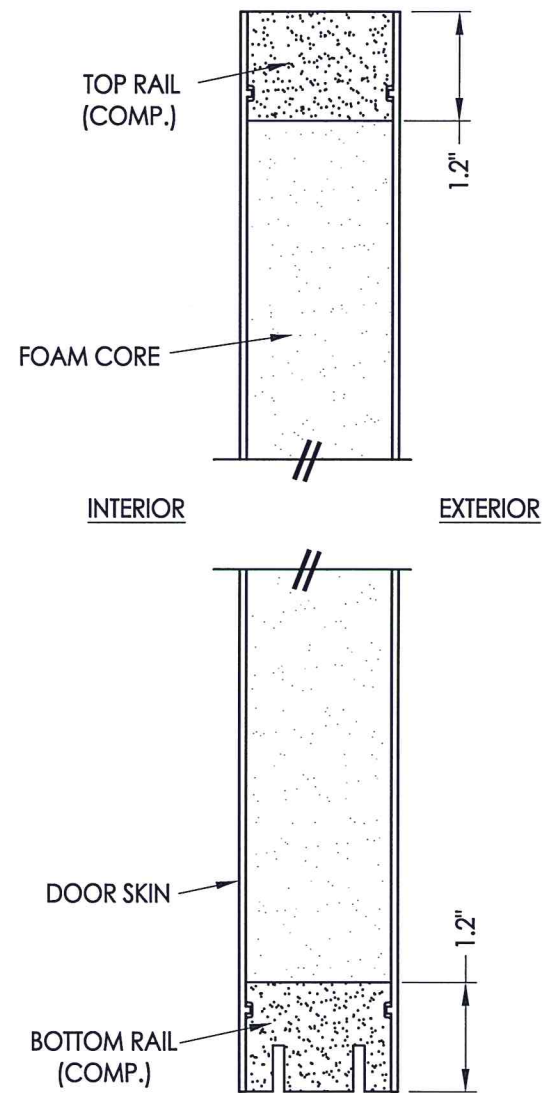


1
2 HORIZONTAL CROSS SECTION



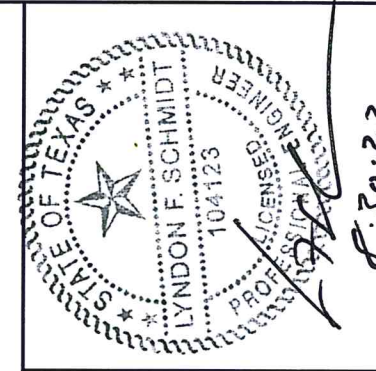
40 PLASTPRO DOOR PANEL

HARDWARE TABLE	
MANUFACTURER	MODEL
Kwikset	Knob: SERIES (400)
	Deadbolt: SERIES (660)
Kwikset	Knob: SIGNATURE SERIES
	Deadbolt: SIGNATURE SERIES (980)
Schlage	Knob: F-SERIES (F51)
	Deadbolt: B-SERIES (B60)



2
2 VERTICAL CROSS SECTION

FIBERGLASS SKIN: 0.075" MIN. THK.
FOAM CORE: POLYURETHANE



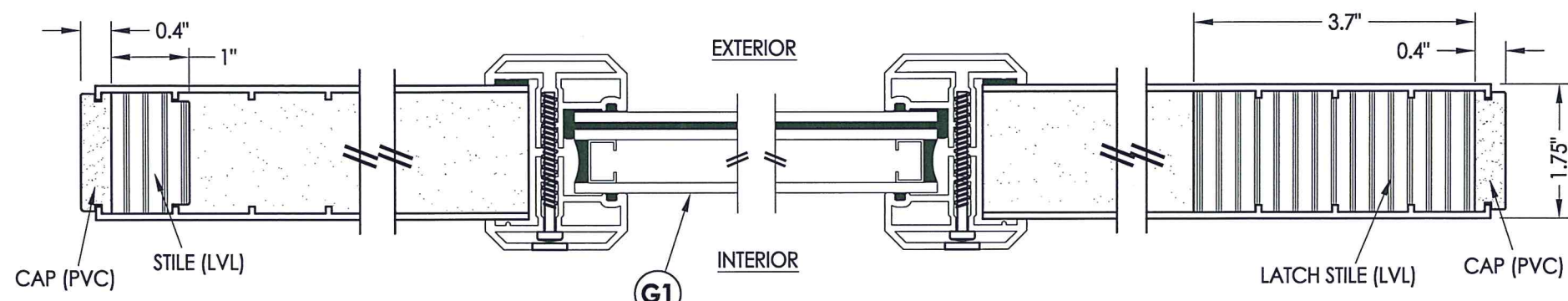
Documents Prepared By: Lyndon F. Schmidt, P.E.
TEXAS P.E. #104123
RW BUILDING CONSULTANTS, INC.
P.O. Box 230 Valrico FL 33595
Phone No.: 813.659.9197
TEXAS BOARD OF PROFESSIONAL ENGINEERS
CERTIFICATE OF REGISTRATION # F-11852

PRODUCT: PLASTPRO INC
FIBERGLASS DOOR
PART OR ASSEMBLY:
DOOR
PANEL DETAILS

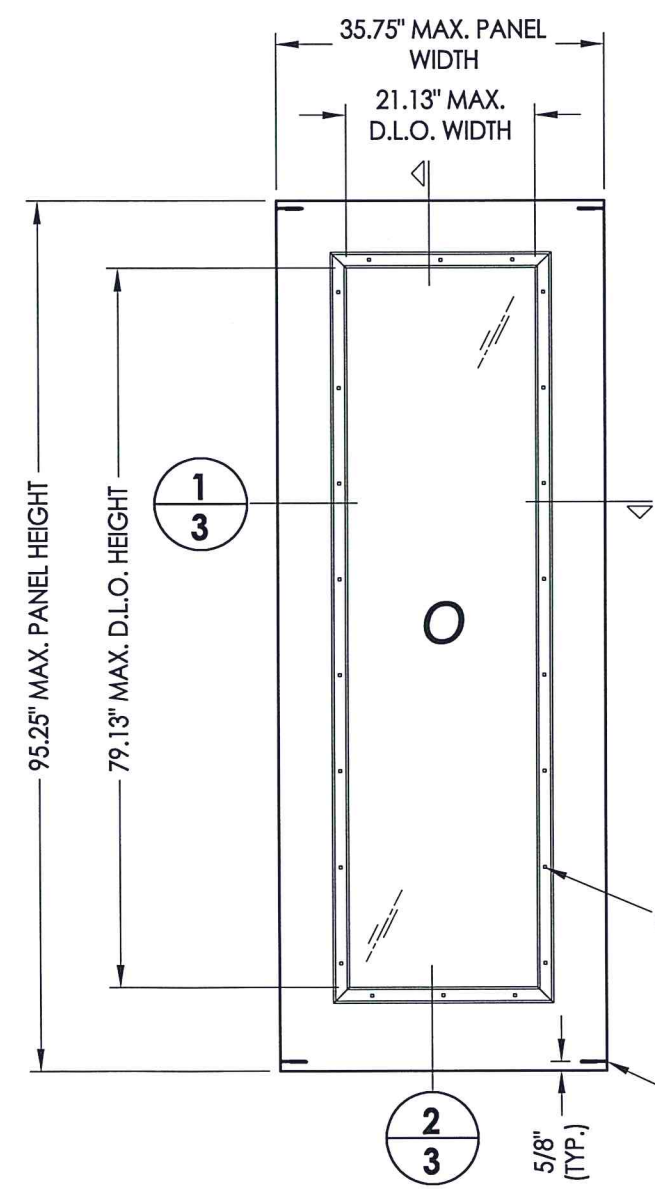
NO.	DATE	BY	REVISIONS

DATE: 8/18/22
SCALE: N.T.S.
DWG. BY: LFS
CHK. BY: RW
DRAWING NO.: TX-5281
SHEET 2 OF 10

Z:\Clients\Plastpro, Inc PERMANENT\B - TD\TDI - DR XXXX 8-0 OPQ & GLZ Impact\C - Drawings\TX-5281.dwg

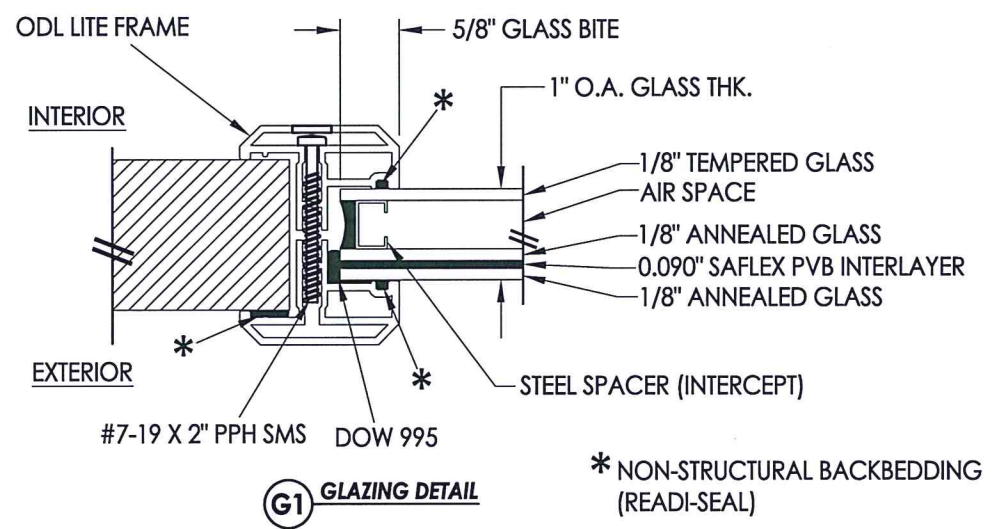


1
3 HORIZONTAL CROSS SECTION

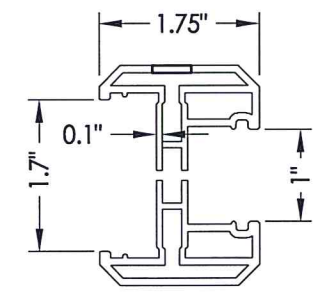


50 PLASTPRO SIDELITE PANEL

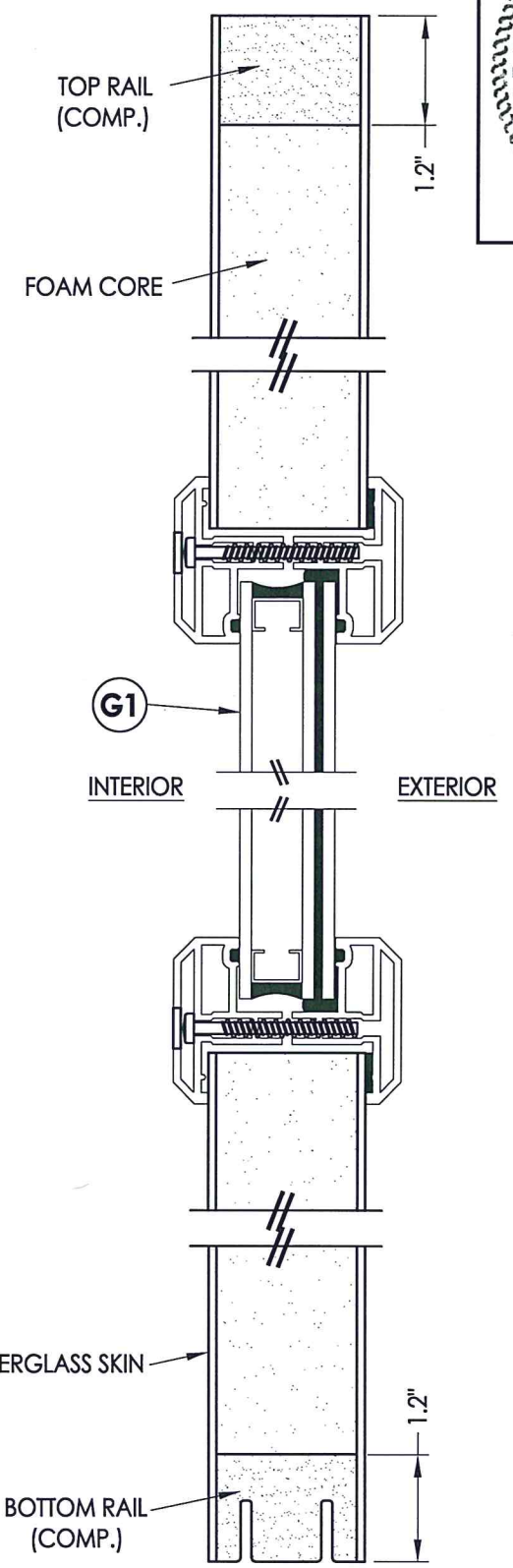
#7-19 X 2" PPH SMS (22 PLCS.)
#8 X 3" FH WS @ EACH CORNER THROUGH STILE INTO RAIL (4 TOTAL)
5/8" (TYP.)



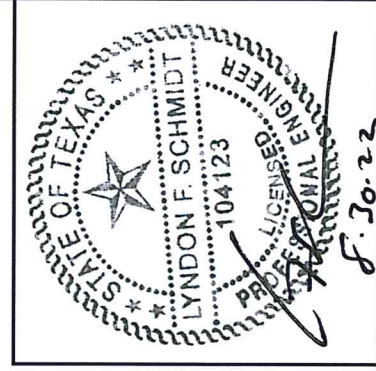
G1 GLAZING DETAIL



ODL ALUMINUM LITE FRAME DETAIL
"Flat Frame" Profile



2
3 VERTICAL CROSS SECTION



Documents Prepared By: Lyndon F. Schmidt, P.E.
TEXAS P.E. #104123

RW BUILDING CONSULTANTS, INC.
P.O. Box 230 Valrico FL 33595
Phone No.: 813.659.9197
TEXAS BOARD OF PROFESSIONAL ENGINEERS
CERTIFICATE OF REGISTRATION # F-11852

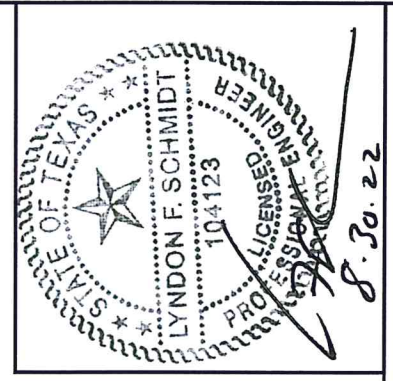
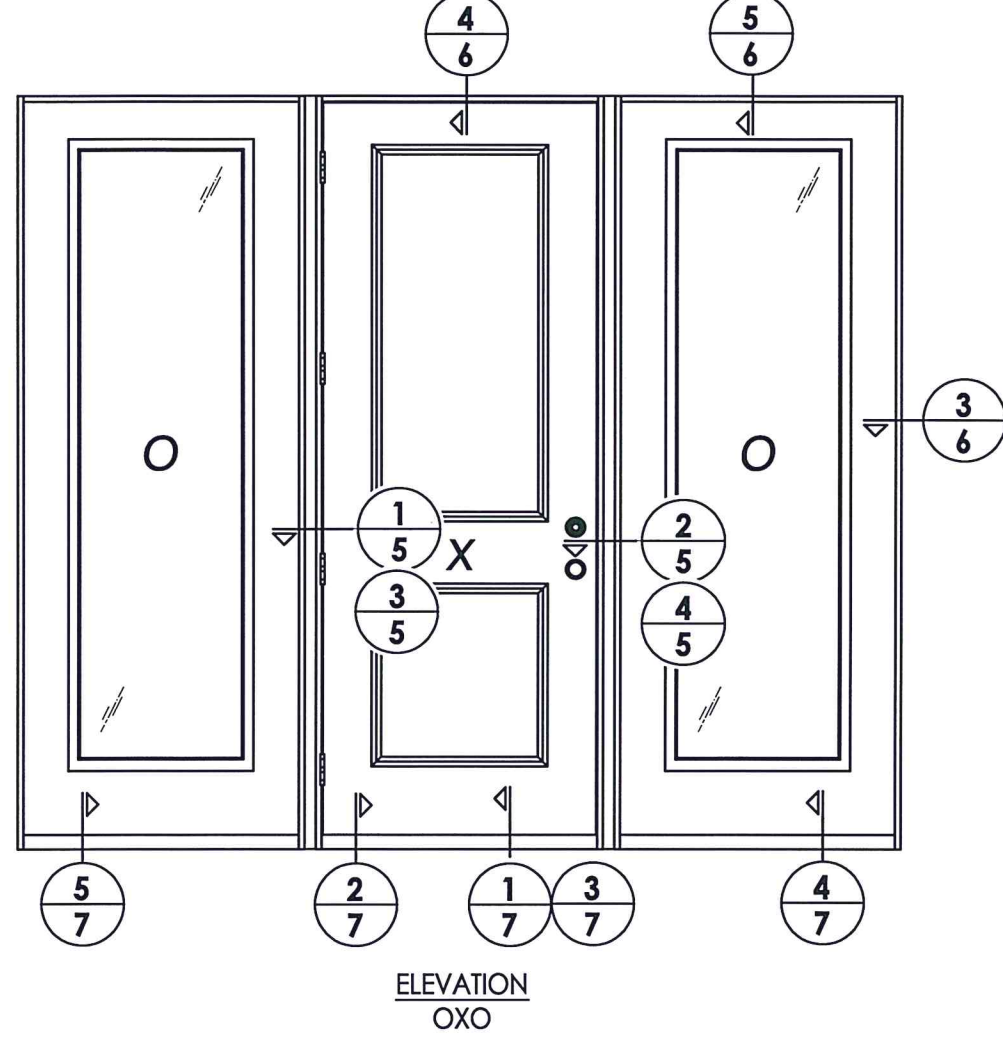
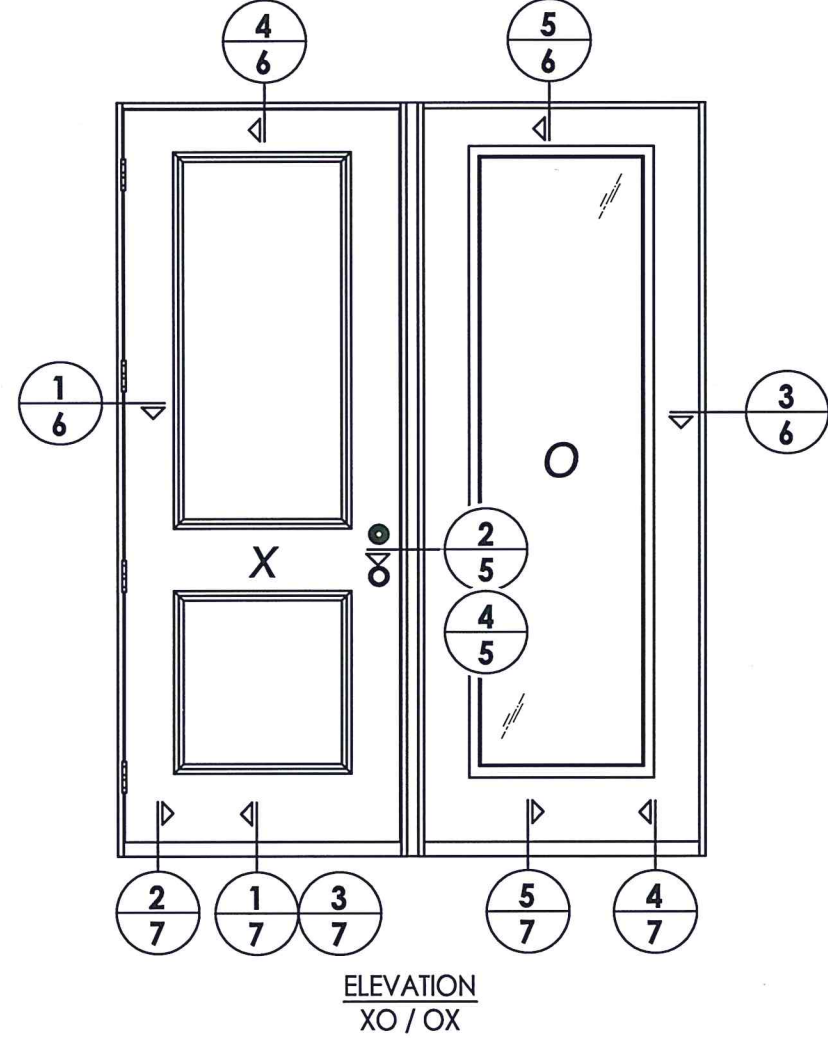
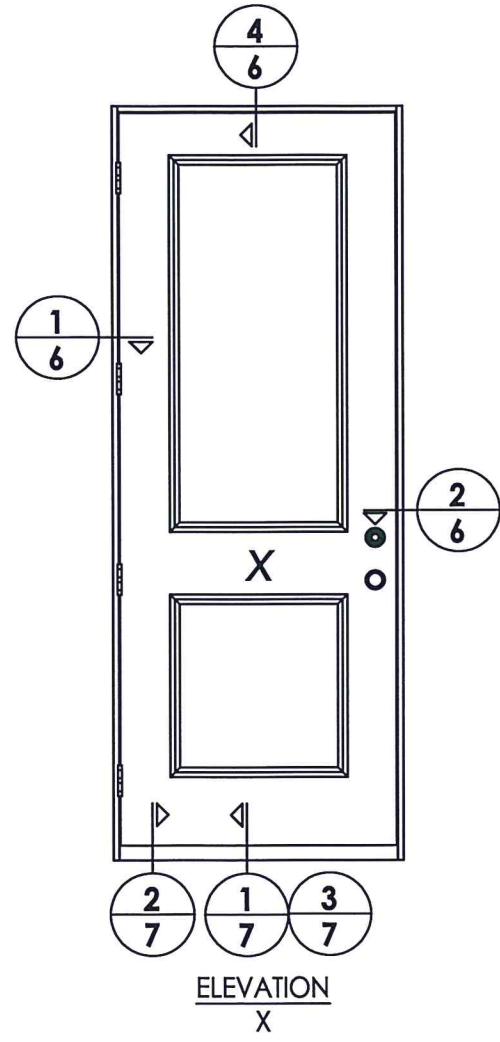
PRODUCT:	PLASTPRO INC FIBERGLASS DOOR
PART OR ASSEMBLY:	SIDELITE PANEL DETAILS

NO.	DATE	BY	REVISIONS

DATE:	8/18/22
SCALE:	N.T.S.
DWG. BY:	LFS
CHK. BY:	RW
DRAWING NO.:	TX-5281
SHEET	3 OF 10

© 2022 R.W. BUILDING CONSULTANTS INC.

FIBERGLASS SKIN: 0.075" MIN. THK.
FOAM CORE: POLYURETHANE

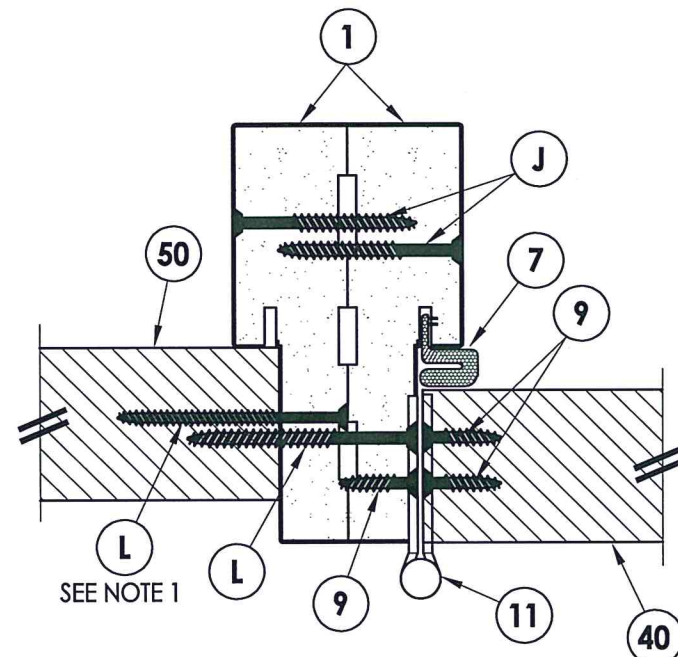


Documents Prepared By: Lyndon F. Schmidt, P.E.
TEXAS P.E. #104123

RW BUILDING CONSULTANTS, INC.
P.O. Box 230 Valrico FL, 33595
Phone No.: 813.659.9197

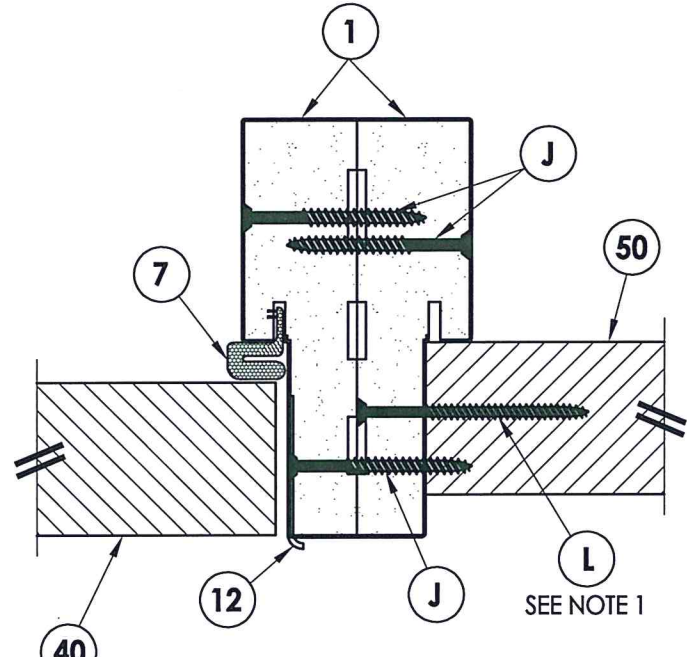
TEXAS BOARD OF PROFESSIONAL ENGINEERS
CERTIFICATE OF REGISTRATION # F-11652

PRODUCT: PLASTPRO INC FIBERGLASS DOOR	PART OR ASSEMBLY: ELEVATIONS
NO.	DATE
BY	REVISIONS
DATE: 8/18/22	
SCALE: N.T.S.	
DWG. BY: LFS	
CHK. BY: RW	
DRAWING NO.: TX-5281	
SHEET 4 OF 10	



1 HORIZONTAL CROSS SECTION
5 Outswing shown (Inswing similar)
 Back-to-Back Jamb

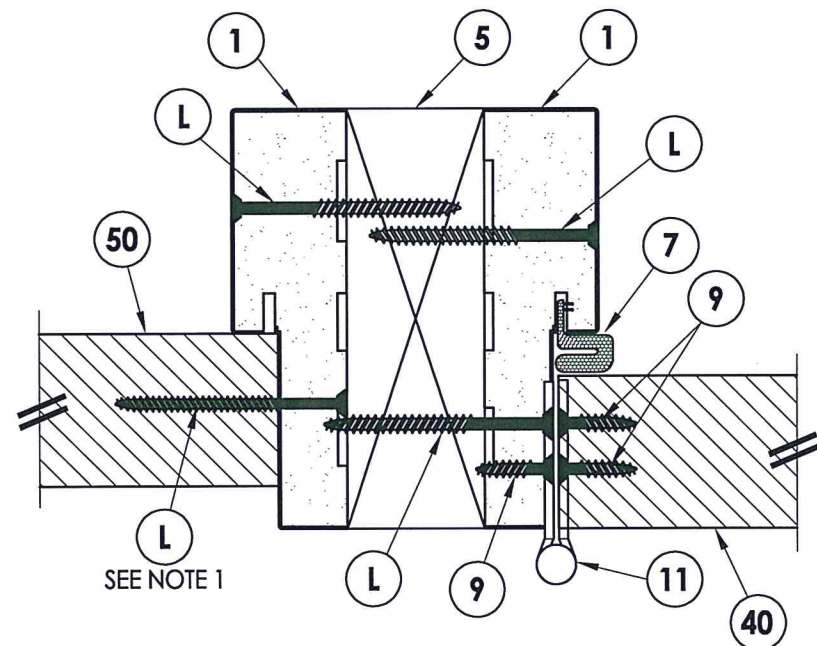
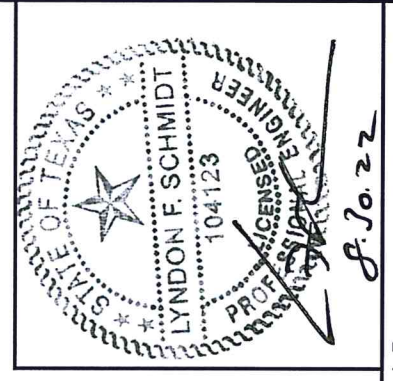
INTERIOR



2 HORIZONTAL CROSS SECTION
5 Outswing shown (Inswing similar)
 Back-to-Back Jamb

EXTERIOR

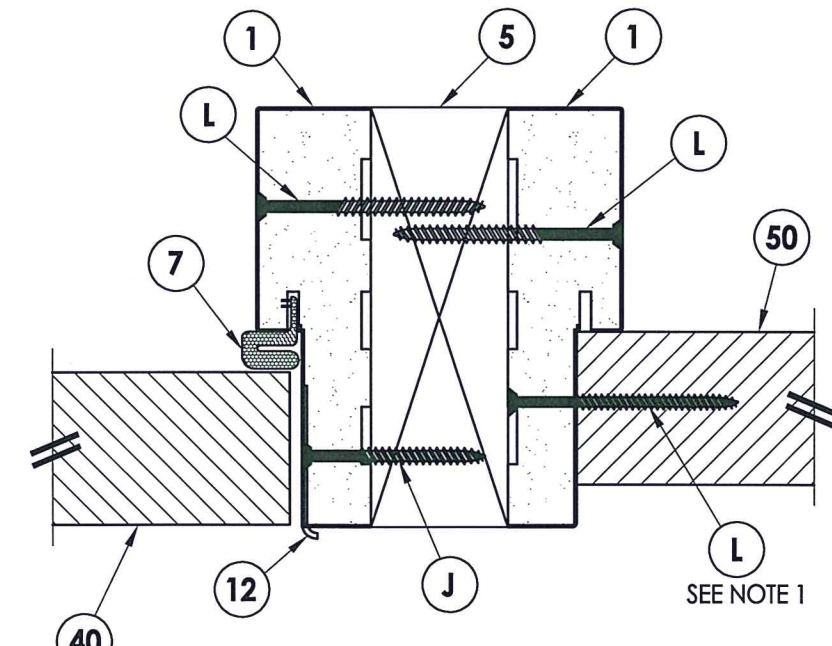
NOTE:
 1. Spacing for item L: 6" from each end and 5 more equally spaced along sidelite jamb (7 total).



3 HORIZONTAL CROSS SECTION
5 Outswing shown (Inswing similar)
 Shown w/ 2X Reinforcement

INTERIOR

EXTERIOR



4 HORIZONTAL CROSS SECTION
5 Outswing shown (Inswing similar)
 Shown w/ 2X Reinforcement

Documents Prepared By: Lyndon F. Schmidt, P.E.
 TEXAS P.E. #104123

RW BUILDING CONSULTANTS, INC.
 P.O. Box 230 Vairico FL 33595
 Phone No.: 813.659.9197

TEXAS BOARD OF PROFESSIONAL ENGINEERS
 CERTIFICATE OF REGISTRATION # F-11852

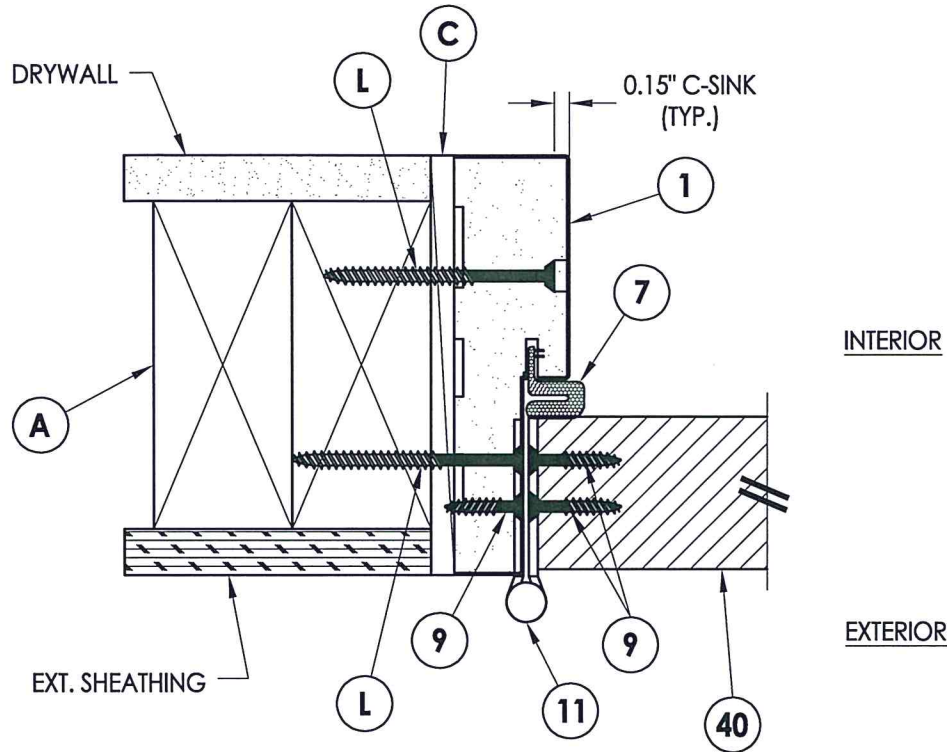
PRODUCT: PLASTPRO INC
 FIBERGLASS DOOR

PART OR ASSEMBLY:
 HORIZONTAL
 CROSS SECTIONS

NO.	DATE	BY	REVISIONS

DATE: 8/18/22
 SCALE: N.T.S.
 DWG. BY: LFS
 CHK. BY: RW
 DRAWING NO.: TX-5281
 SHEET 5 OF 10

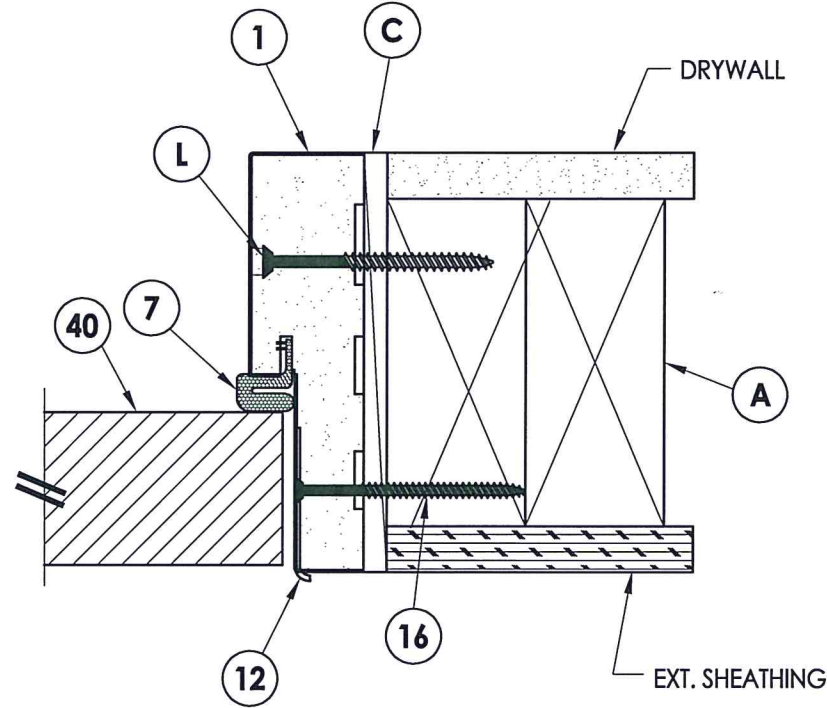
Z:\Clients\Plastpro, Inc PERMANENT B - TD\TDI - DR XXXX 8-0 OPQ & GLZ Impact\C - Drawings\TX-5281.dwg



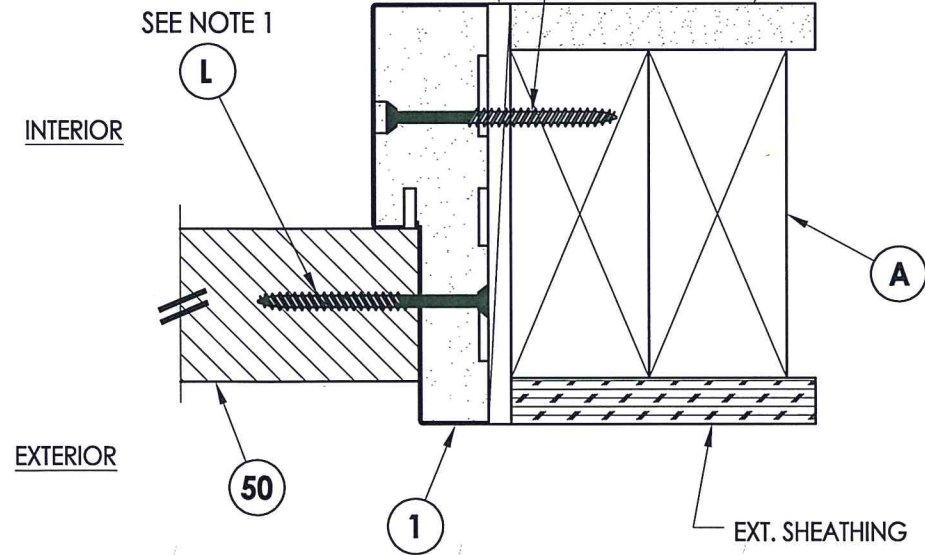
1 HORIZONTAL CROSS SECTION
6 Outswing shown (Inswing similar)

INTERIOR

EXTERIOR



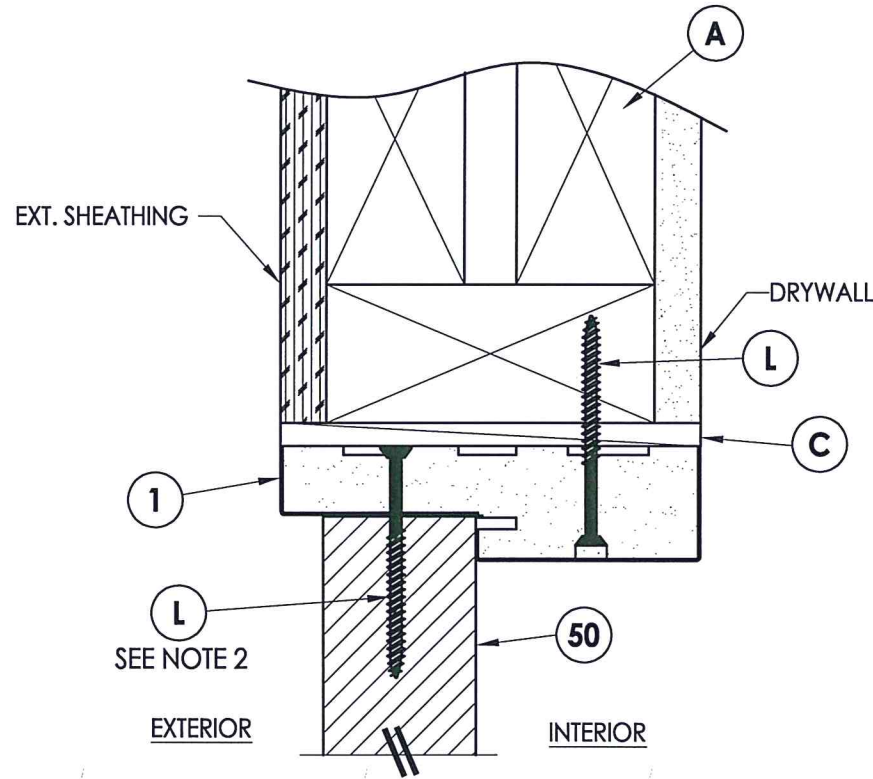
2 HORIZONTAL CROSS SECTION
6 Outswing shown (Inswing similar)



3 HORIZONTAL CROSS SECTION
6 Outswing shown (Inswing similar)

INTERIOR

EXTERIOR



5 VERTICAL CROSS SECTION
6 Outswing shown (Inswing similar)

SEE NOTE 2

EXTERIOR

INTERIOR

- NOTES:
 1. Spacing for item L: 6" from each end plus 5 more equally spaced along sidelite jamb (7 total).
 2. Spacing for item L @ head & sill: 6" from ends (2 total).



Documents Prepared By: Lyndon F. Schmidt, P.E.
 TEXAS P.E. #104123

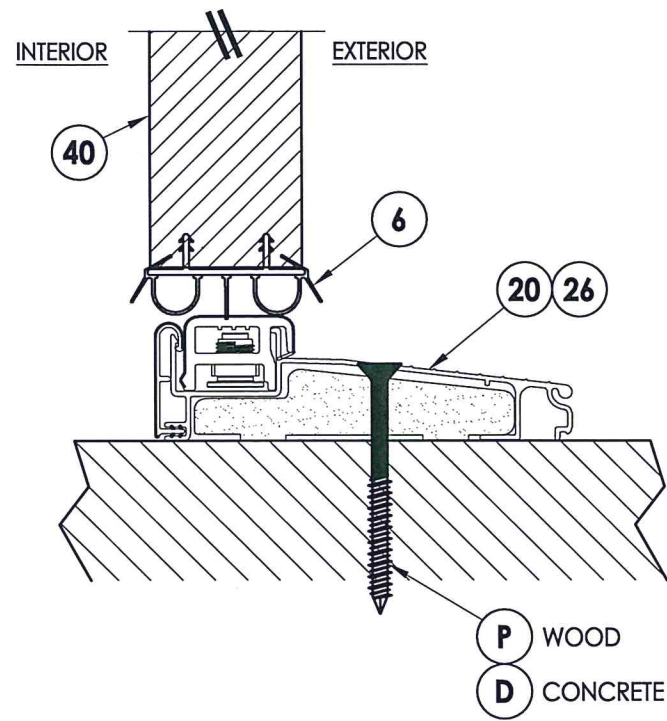
RW BUILDING CONSULTANTS, INC.
 P.O. Box 230 Valrico FL 33595
 Phone No.: 813.659.9197

TEXAS BOARD OF PROFESSIONAL ENGINEERS
 CERTIFICATE OF REGISTRATION # F-11852

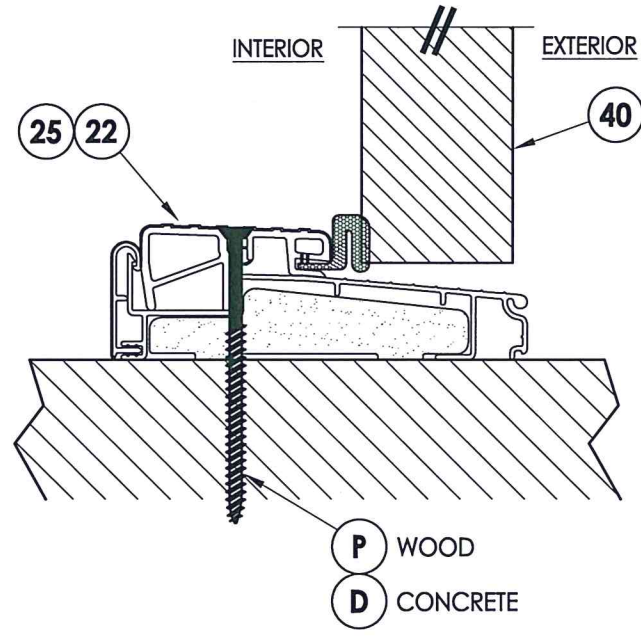
PRODUCT: PLASTPRO INC
 FIBERGLASS DOOR
 PART OR ASSEMBLY:
 HORIZONTAL & VERTICAL
 CROSS SECTIONS

NO.	DATE	BY	REVISIONS

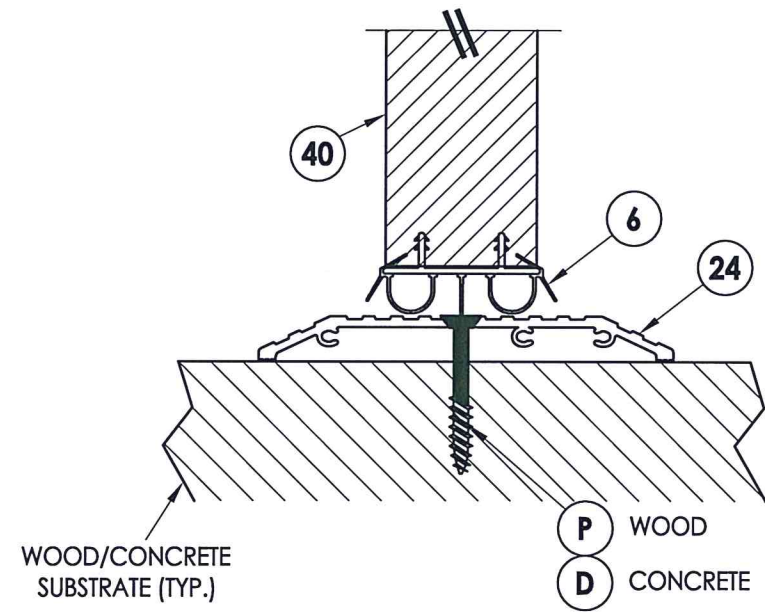
DATE: 8/18/22
 SCALE: N.T.S.
 DWG. BY: LFS
 CHK. BY: RW
 DRAWING NO.: TX-5281
 SHEET 6 OF 10



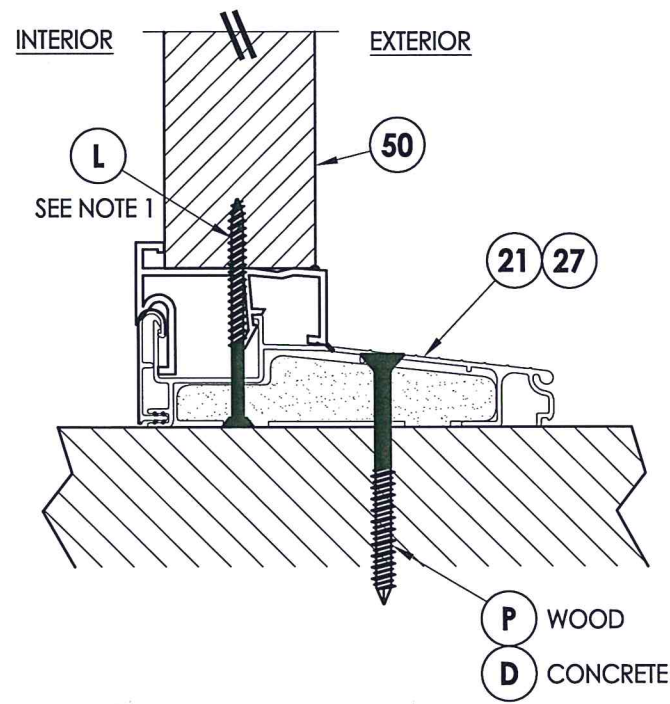
1 VERTICAL CROSS SECTION
7 Inswing Sill



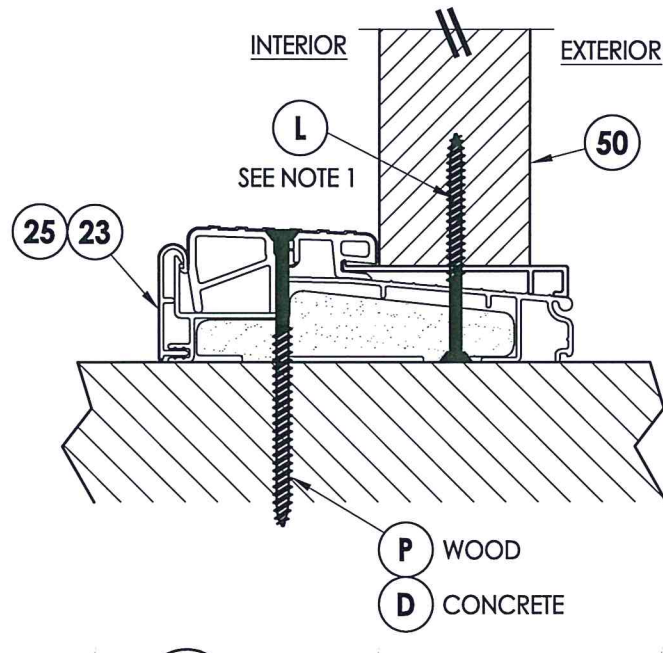
2 VERTICAL CROSS SECTION
7 Outswing Sill



3 VERTICAL CROSS SECTION
7 ADA Sill

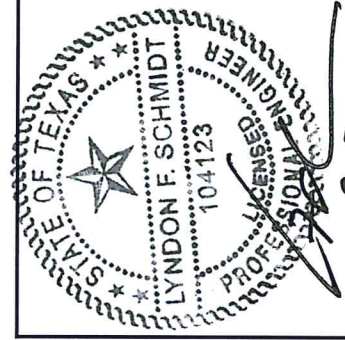


4 VERTICAL CROSS SECTION
7 Inswing Sill



5 VERTICAL CROSS SECTION
7 Outswing Sill

NOTE:
1. Spacing for item L @ head & sill: 6" from each end (2 total).



Documents Prepared By: Lyndon F. Schmidt, P.E.
TEXAS P.E. #104123

RW BUILDING CONSULTANTS, INC.
P.O. Box 230 Vairico FL 33595
Phone No.: 813.659.9197

TEXAS BOARD OF PROFESSIONAL ENGINEERS
CERTIFICATE OF REGISTRATION # F-11852

PRODUCT:
PLASTPRO INC
FIBERGLASS DOOR

PART OR ASSEMBLY:
VERTICAL CROSS
SECTIONS

NO.	DATE	BY	REVISIONS

DATE: 8/18/22

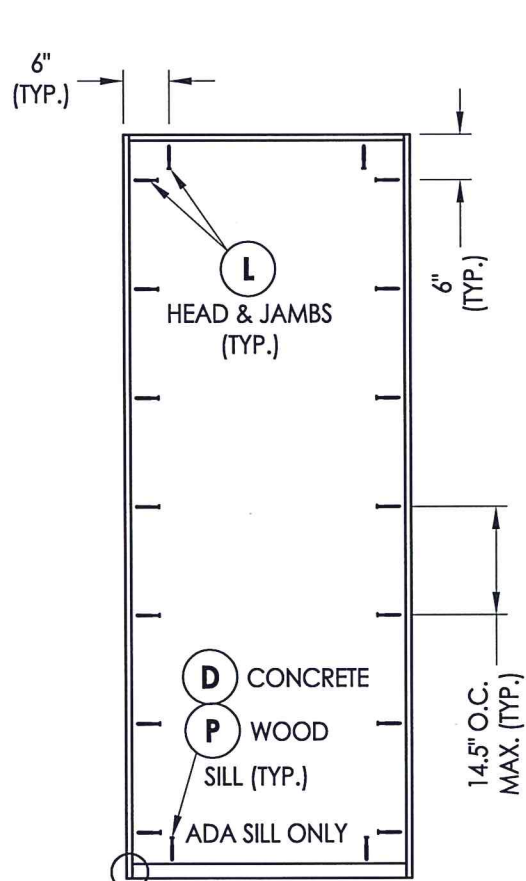
SCALE: N.T.S.

DWG. BY: LFS

CHK. BY: RW

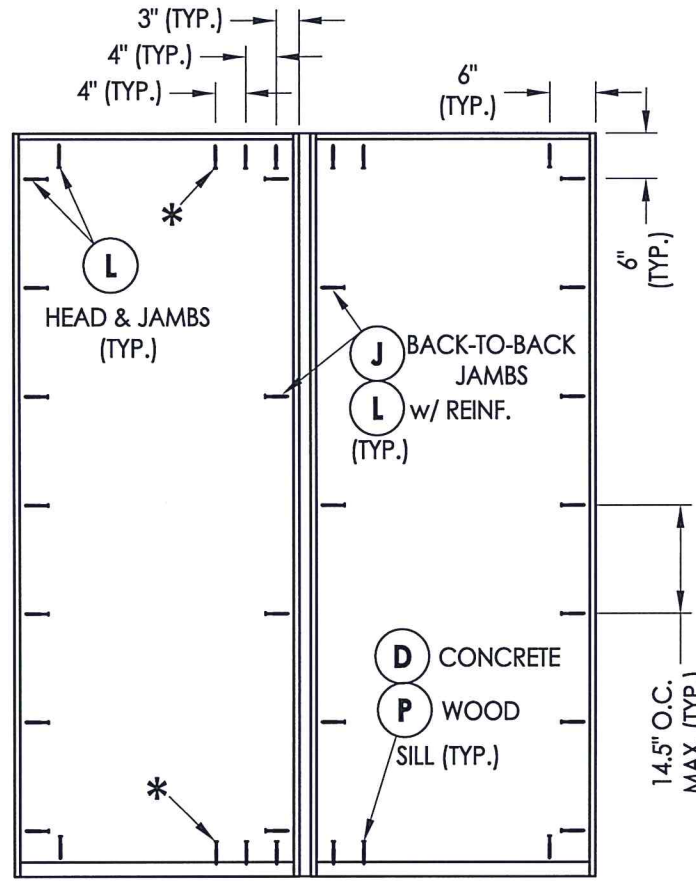
DRAWING NO.:
TX-5281

SHEET 7 OF 10

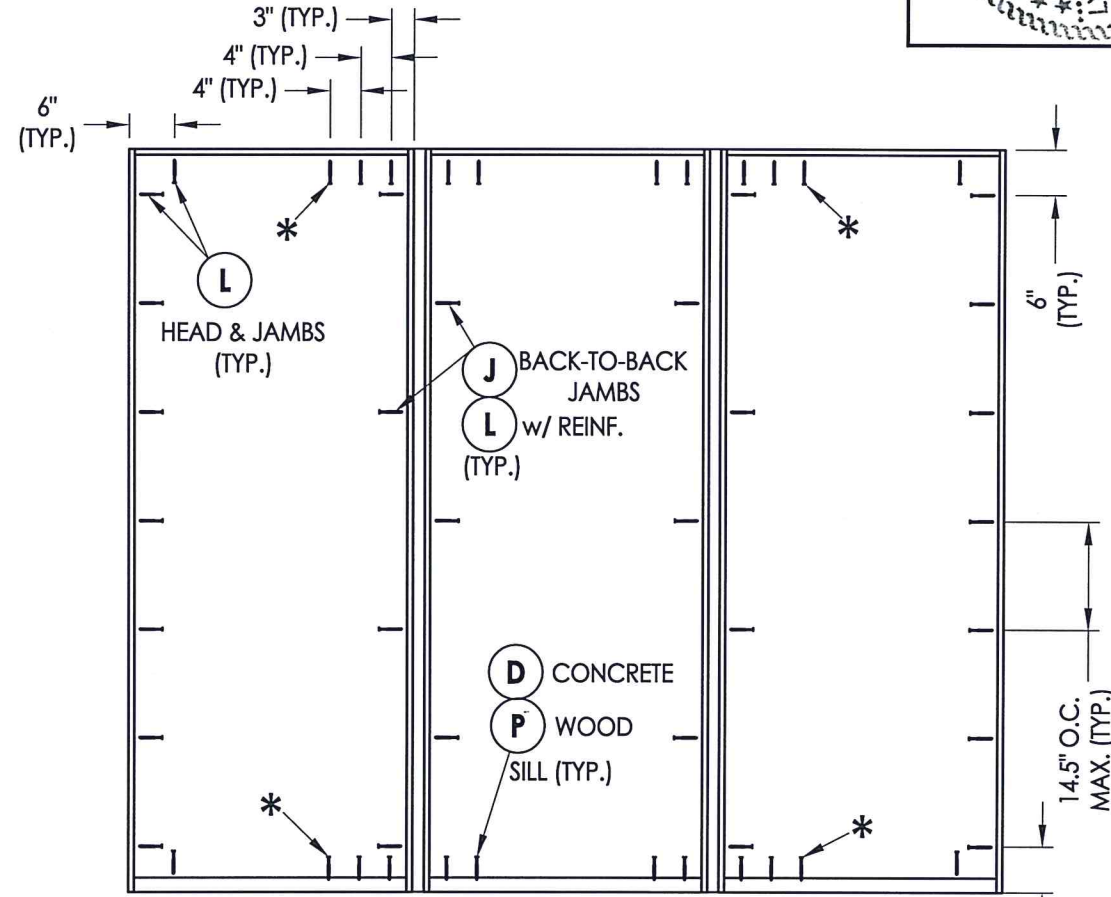


X

NOTE: FRAME CORNERS ATTACHED w/
(3) #10 X 2-1/2" FH WOOD SCREWS (TYP.)



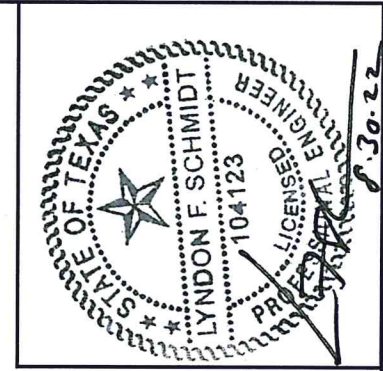
XO / OX



OXO

FRAME ANCHORING

* NOTE: THESE ANCHORS ARE REQUIRED FOR DESIGN PRESSURE > 40 PSF ONLY



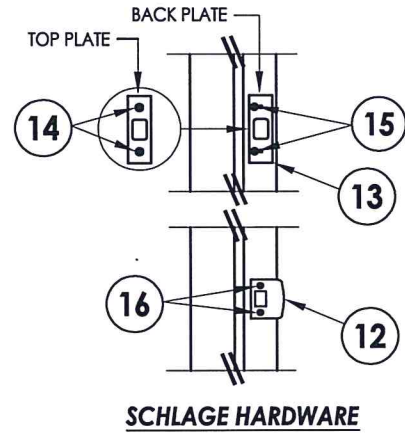
Documents Prepared By: Lyndon F. Schmidt, P.E.
TEXAS P.E. #104123

RW BUILDING CONSULTANTS, INC.
P.O. Box 230 Valrico FL, 33595
Phone No.: 813.659.9197
TEXAS BOARD OF PROFESSIONAL ENGINEERS
CERTIFICATE OF REGISTRATION # F-11852

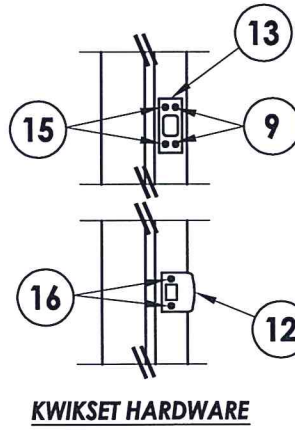
PRODUCT: PLASTPRO INC
FIBERGLASS DOOR
PART OR ASSEMBLY:
FRAME ANCHORING

NO.	DATE	REVISIONS	BY

DATE: 8/18/22
SCALE: N.T.S.
DWG. BY: LFS
CHK. BY: RW
DRAWING NO.: TX-5281
SHEET 8 OF 10

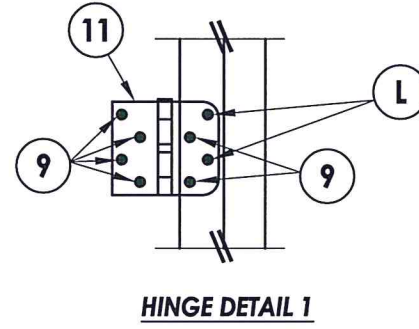


SCHLAGE HARDWARE

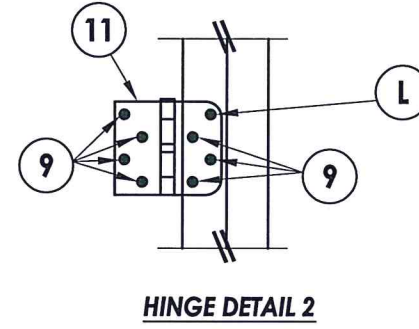


KWIKSET HARDWARE

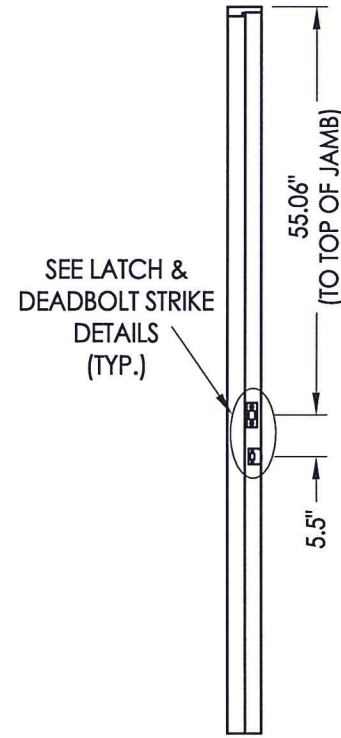
LATCH & DEADBOLT HARDWARE STRIKE DETAILS



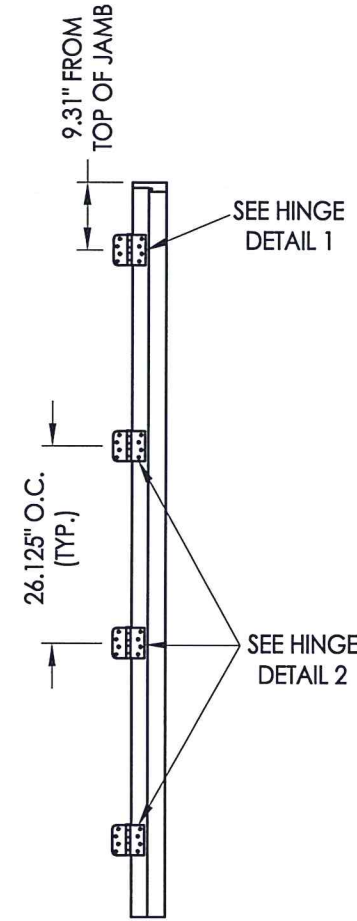
HINGE DETAIL 1



HINGE DETAIL 2

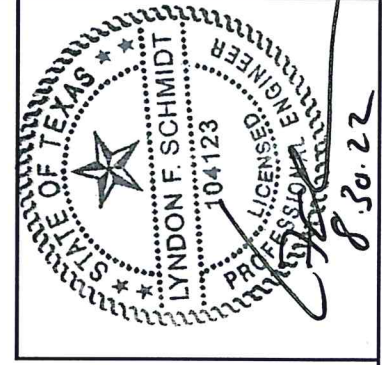


STRIKE JAMB



HINGE JAMB

HARDWARE DETAILS



Documents Prepared By: Lyndon F. Schmidt, P.E.
TEXAS P.E. #104123

RW BUILDING CONSULTANTS, INC.
P.O. Box 230 Valrico FL 33595
Phone No.: 813.659.9197

TEXAS BOARD OF PROFESSIONAL ENGINEERS
CERTIFICATE OF REGISTRATION # F-11852

PRODUCT: PLASTPRO INC
FIBERGLASS DOOR

PART OR ASSEMBLY:

HARDWARE DETAILS

NO.	DATE	BY	REVISIONS

DATE: 8/18/22

SCALE: N.T.S.

DWG. BY: LFS

CHK. BY: RW

DRAWING NO.: TX-5281

SHEET 9 OF 10

BILL OF MATERIALS

ITEM #	DESCRIPTION	MATERIAL
A	2X FRAMING (G >= 0.42)	WOOD
C	1/4" MAX. SHIM SPACE	-
D	1/4" Ø PFH ELCO OR ITW CONCRETE SCREW (1-3/4" MIN. EMBEDMENT)	STEEL
G	3/16" Ø PFH ITW CONCRETE SCREW (1-3/4" MIN. EMB.)	STEEL
J	#10 X 2" PFH WOOD SCREW	STEEL
L	#10 X 2-1/2" PFH WOOD SCREW (1.15" MIN. EMB.)	STEEL
P	#10 PFH WOOD SCREW (1-1/2" MIN. EMB.)	STEEL
1	POLY FIBER JAMB	COMP
5	2X REINFORCEMENT (G >= 0.55)	WOOD
6	DOOR SWEEP	PVC
7	WEATHERSTRIP	FOAM
9	#9 X 3/4" PFH WOOD SCREW	STEEL
11	4" X 4" HINGE	STEEL
12	LATCH STRIKE PLATE	STEEL
13	DEADBOLT STRIKE PLATE	STEEL
14	10-32 X 3/8" PFH MACHINE SCREW	STEEL
15	#12 X 2-1/2" PFH WOOD SCREW	STEEL
16	#8 X 2-1/2" PFH WOOD SCREW	STEEL
20	INSWING THRESHOLD	ALUM/COMP
21	INSWING THRESHOLD w/ SIDELITE ADAPTER	ALUM/COMP
22	OUTSWING THRESHOLD	ALUM/COMP
23	OUTSWING THRESHOLD w/ SIDELITE ADAPTER	ALUM/COMP
24	ADA THRESHOLD	ALUM
25	OUTSWING THRESHOLD	ALUM/WOOD
26	INSWING THRESHOLD	ALUM/WOOD
27	INSWING THRESHOLD w/ SIDELITE ADAPTER	ALUM/WOOD
40	DOOR PANEL	-
50	SIDELITE PANEL	-

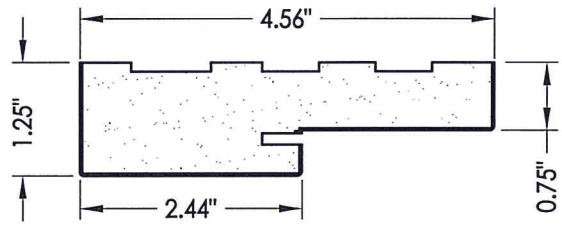
CONCRETE ANCHOR NOTES:

- Concrete anchor locations at the corners may be adjusted to maintain the min. edge distance to mortar joints.
- Concrete anchor locations noted as "MAX. ON CENTER" must be adjusted to maintain the min. edge distance to mortar joints, additional concrete anchors may be required to ensure the "MAX. ON CENTER" dimension are not exceeded.
- Concrete anchor table:

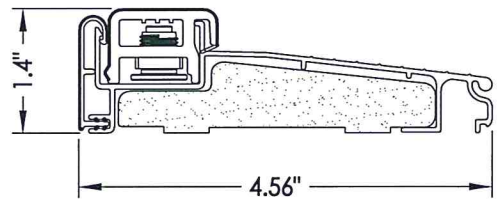
ANCHOR TYPE	ANCHOR SIZE	MIN. EMBEDMENT	MIN. CLEARANCE TO MASONRY EDGE	MIN. CLEARANCE TO ADJACENT ANCHOR
ITW BUILDDEX TAPCON®	3/16"	1-1/4"	3"	1-1/2"
	1/4"	1-1/4"	2"	4"
DeWALT ULTRACON®	1/4"	1-1/4"	1"	4"

WOOD SCREW INSTALLATION NOTES:

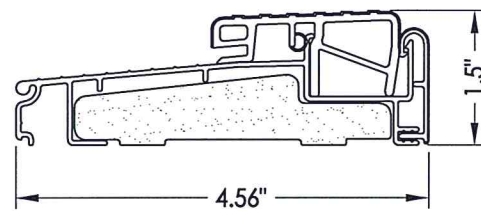
- Maintain a minimum 5/8" edge distance, 1" end distance, & 1" o.c. spacing of wood screws to prevent the splitting of wood.



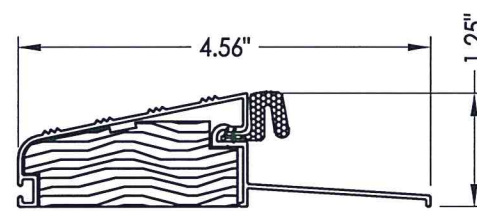
1 POLY FIBER JAMB



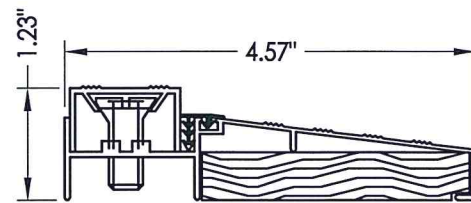
20 INSWING THRESHOLD
Endura (Z-Series)



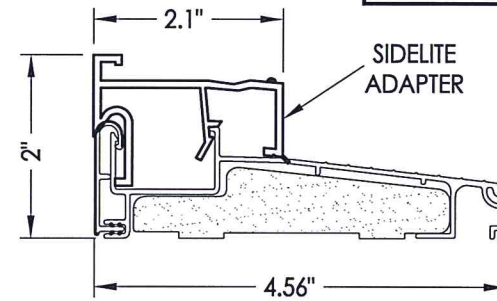
22 OUTSWING THRESHOLD
Endura (Z-Series)



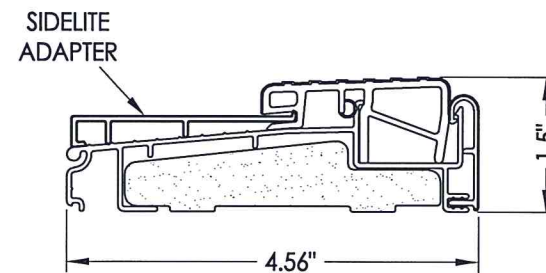
25 OUTSWING THRESHOLD
DLP



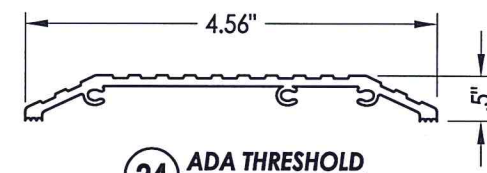
26 INSWING THRESHOLD
DLP



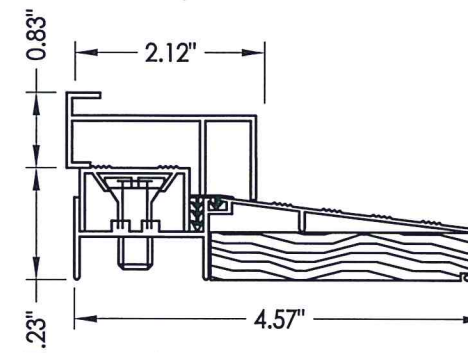
21 INSWING THRESHOLD w/ SIDELITE ADAPTER
Endura (Z-Series)



23 OUTSWING THRESHOLD w/ SIDELITE ADAPTER
Endura (Z-Series)



24 ADA THRESHOLD
DLP



27 INSWING THRESHOLD w/ SIDELITE ADAPTER
DLP



Documents Prepared By: Lyndon F. Schmidt, P.E.
TEXAS P.E. #104123

RW BUILDING CONSULTANTS, INC.
P.O. Box 230 Valrico FL 33595
Phone No.: 813.659.9197

TEXAS BOARD OF PROFESSIONAL ENGINEERS
CERTIFICATE OF REGISTRATION # F-11852

PRODUCT: PLASTPRO INC
FIBERGLASS DOOR

PART OR ASSEMBLY: BILL OF MATERIALS
& COMPONENTS

NO.	DATE	BY	REVISIONS

DATE: 8/18/22

SCALE: N.T.S.

DWG. BY: LFS

CHK. BY: RW

DRAWING NO.: TX-5281

SHEET 10 OF 10