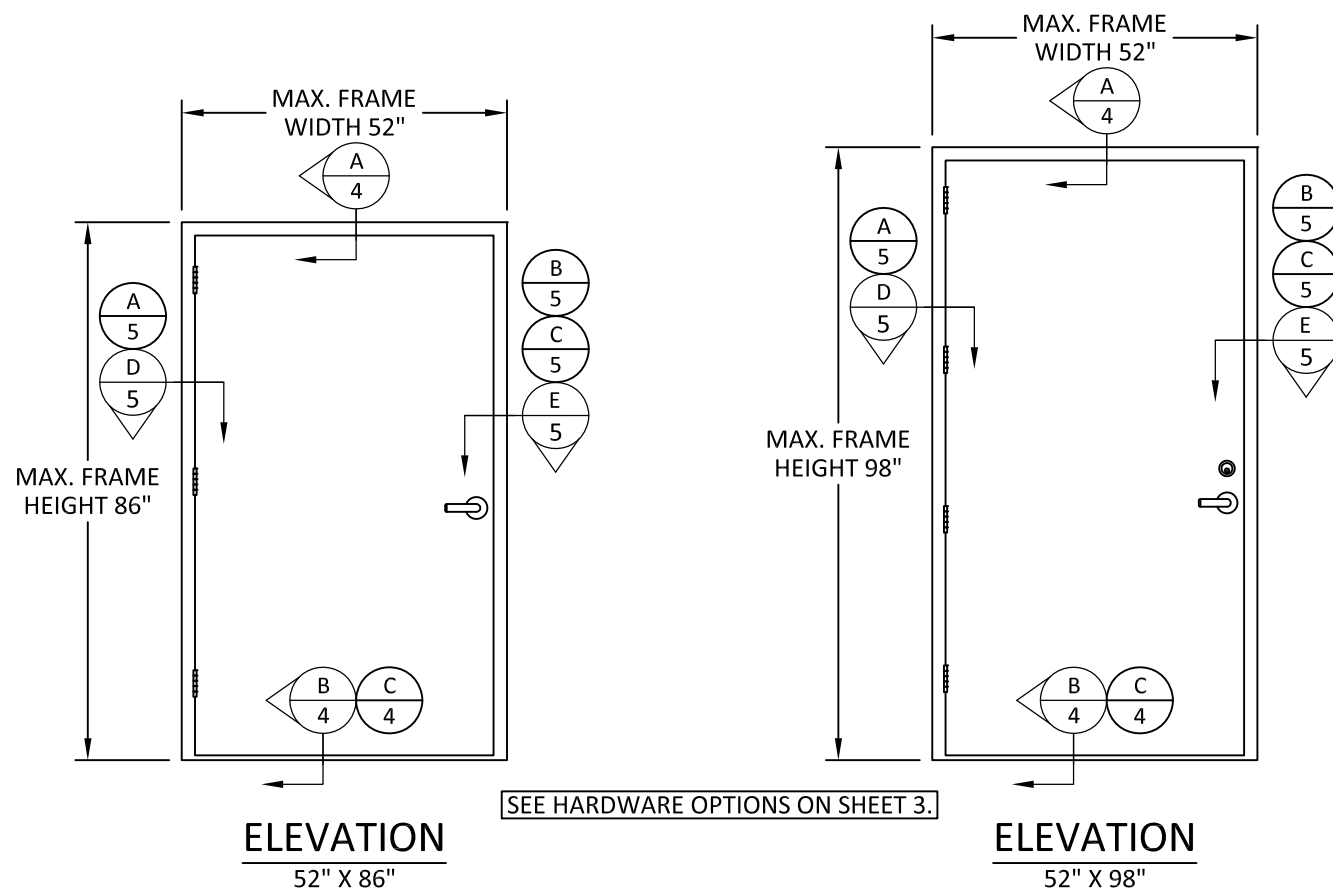


PREMIER STEEL DOORS & FRAMES

SWR-S18-4 SEVERE WINDSTORM RATED DOOR - OUTSWING (IMPACT)



2840 STERLINGTON ROAD
MONROE, LA 71203
PH: (318) 361-0796



ELEVATION
52" X 86"

SEE HARDWARE OPTIONS ON SHEET 3.

ELEVATION
52" X 98"

| DESIGN PRESSURE TABLE | | |
|-----------------------|-----------------|----------------|
| FRAME SIZE | DESIGN PRESSURE | MISSILE RATING |
| 52" X 86" | +/-50 PSF | LARGE & SMALL |
| 52" X 98" | +/-65 PSF | MISSILE IMPACT |

| TABLE OF CONTENTS | |
|-------------------|---|
| SHEET | SHEET DESCRIPTION |
| 1 | GENERAL NOTES, DESIGN PRESSURE TABLE AND TYPICAL ELEVATIONS |
| 2 | DOOR PANEL DETAILS |
| 3 | HARDWARE OPTIONS |
| 4 | VERTICAL SECTIONS |
| 5 | HORIZONTAL SECTIONS |
| 6 | ANCHOR LAYOUT AND INSTALLATION NOTES |
| 7 | ANCHOR LAYOUT |
| 8 | COMPONENTS AND BILL OF MATERIALS |

GENERAL NOTES:

- THE PRODUCT SHOWN HEREIN IS DESIGNED AND MANUFACTURED TO COMPLY WITH THE 2018 INTERNATIONAL BUILDING CODE (IBC) AND 2018 INTERNATIONAL RESIDENTIAL CODE (IRC). ALL PRODUCTS UNDER THE SCOPE OF THIS DOCUMENT HAVE BEEN EVALUATED ACCORDING TO THE FOLLOWING:
 - ASTM 330-14
 - ASTM E1886-13a
 - ASTM E1996-14a
 - TAS 201-94
 - TAS 202-94
 - TAS 203-94
- ADEQUACY OF THE EXISTING STRUCTURAL CONCRETE/ MASONRY, 2X AND METAL STUD FRAMING AS A MAIN WIND FORCE RESISTING SYSTEM CAPABLE OF WITHSTANDING AND TRANSFERRING APPLIED PRODUCT LOADS TO THE FOUNDATION IS THE RESPONSIBILITY OF THE ENGINEER OR ARCHITECT OF RECORD FOR THE PROJECT OF INSTALLATION.
- 1X AND 2X BUCKS (WHEN USED) SHALL BE DESIGNED AND ANCHORED TO PROPERLY TRANSFER ALL LOADS TO THE STRUCTURE. BUCK DESIGN AND INSTALLATION IS THE RESPONSIBILITY OF THE ENGINEER OR ARCHITECT OF RECORD FOR THE PROJECT OF INSTALLATION.
- INSTALL INDIVIDUAL INSTALLATION ANCHORS WITHIN A TOLERANCE OF $\pm 1/4$ INCH OF THE DEPICTED LOCATION IN THE ANCHOR LAYOUT DETAIL (I.E., WITHOUT CONSIDERATION OF TOLERANCES). TOLERANCES ARE NOT CUMULATIVE FROM ONE INSTALLATION ANCHOR TO THE NEXT.
- THE INSTALLATION DETAILS DESCRIBED HEREIN ARE GENERIC AND MAY NOT REFLECT ACTUAL CONDITIONS FOR A SPECIFIC SITE. IF SITE CONDITIONS CAUSE INSTALLATION TO DEVIATE FROM THE REQUIREMENTS DETAILED HEREIN, A LICENSED ENGINEER OR ARCHITECT SHALL PREPARE SITE SPECIFIC DOCUMENTS FOR USE WITH THIS DOCUMENT.
- APPROVED IMPACT PROTECTIVE SYSTEM **IS NOT REQUIRED** TO PROTECT THIS PRODUCT IN AREAS REQUIRING IMPACT RESISTANCE.
- MATERIAL: STEEL

TITLE: SWR-S18-4 SEVERE WINDSTORM RATED DOOR (IMPACT)
GENERAL NOTES, DESIGN PRESSURE TABLE & TYPICAL ELEVATIONS
PREPARED BY: BUILDING DROPS, INC.
398 E. DANIA BEACH BLVD., STE. 338
DANIA BEACH, FL 33004
PH: (954) 369-8278
FAX: (954) 744-4738
WEB: www.buildingdrops.com

| REMARKS | BY | DATE |
|---------|----|------|
| | | |
| | | |
| | | |

THE INSTALLATION DETAILS DESCRIBED HEREIN ARE GENERIC AND MAY NOT REFLECT ACTUAL CONDITIONS FOR A SPECIFIC SITE. IF SITE CONDITIONS CAUSE INSTALLATION TO DEVIATE FROM THE REQUIREMENTS DETAILED HEREIN, A LICENSED ENGINEER OR ARCHITECT SHALL PREPARE SITE SPECIFIC DOCUMENTS FOR USE WITH THIS DOCUMENT.



HERMES F. NORERO, P.E.
TEXAS P.E. No. 118471
BUILDING DROPS, INC.
398 E. DANIA BEACH BLVD. # 338
DANIA BEACH, FL 33004
TBPE FIRM No. 13734

DATE: 10.21.22

DWG. BY: MS
CHK. BY: HFN

SCALE: NTS

DWG. #: PRM001

SHEET: 1



2840 STERLINGTON ROAD
MONROE, LA 71203
PH: (318) 361-0796

TITLE: SWR-S18-4 SEVERE WINDSTORM RATED DOOR (IMPACT)
DOOR PANEL DETAILS

PREPARED BY: BUILDING DROPS, INC.
398 E. DANIA BEACH BLVD., STE. 338
DANIA BEACH, FL 33004
PH: (954) 369-8478
FAX: (954) 744-4738
WEB: www.buildingdrops.com

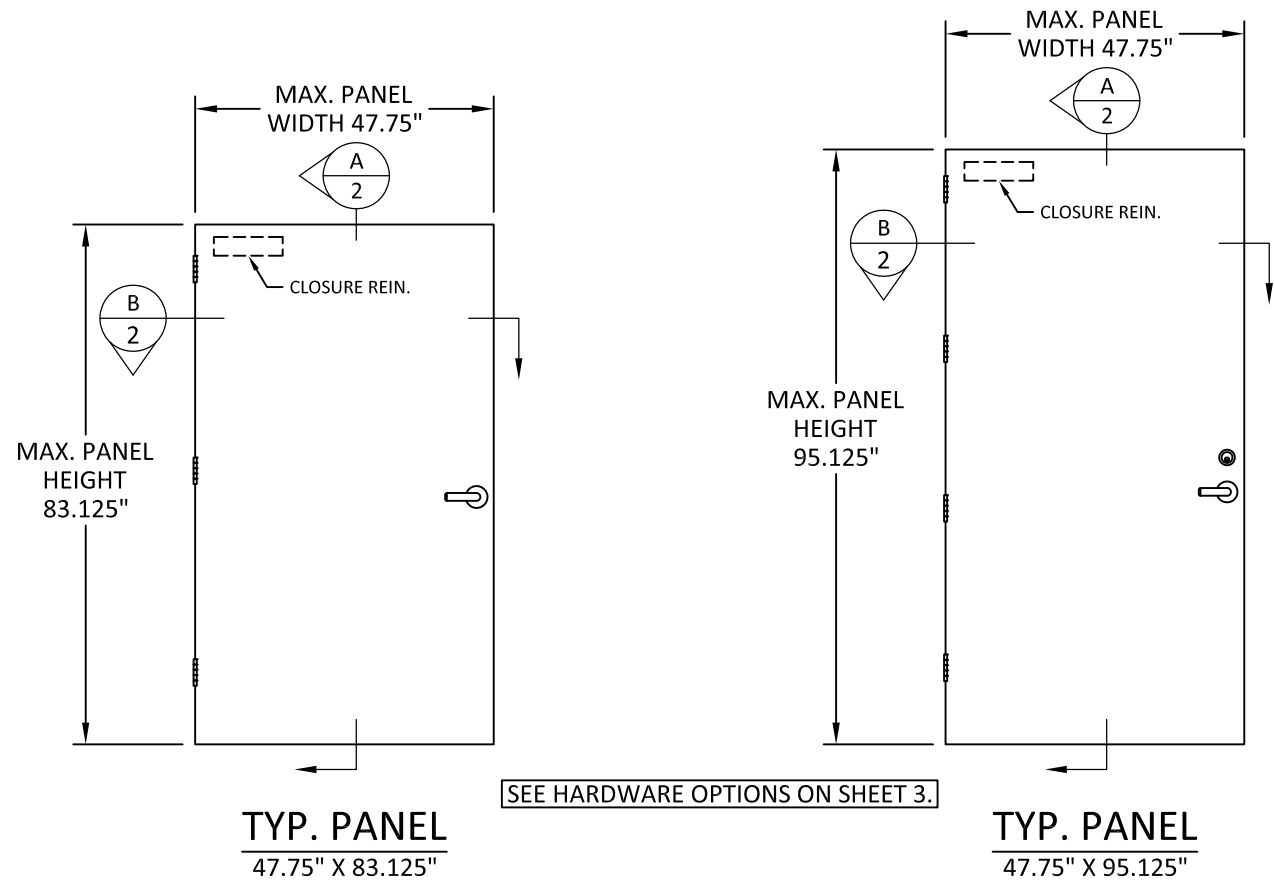
| REMARKS | BY | DATE |
|---------|----|------|
| | | |
| | | |
| | | |

THE INSTALLATION DETAILS DESCRIBED HEREIN ARE GENERIC AND MAY NOT REFLECT ACTUAL CONDITIONS FOR A SPECIFIC SITE. IF SITE CONDITIONS CAUSE INSTALLATION TO DEVIATE FROM THE REQUIREMENTS DETAILED HEREIN, A LICENSED ENGINEER OR ARCHITECT SHALL PREPARE SITE SPECIFIC DOCUMENTS FOR USE WITH THIS DOCUMENT.

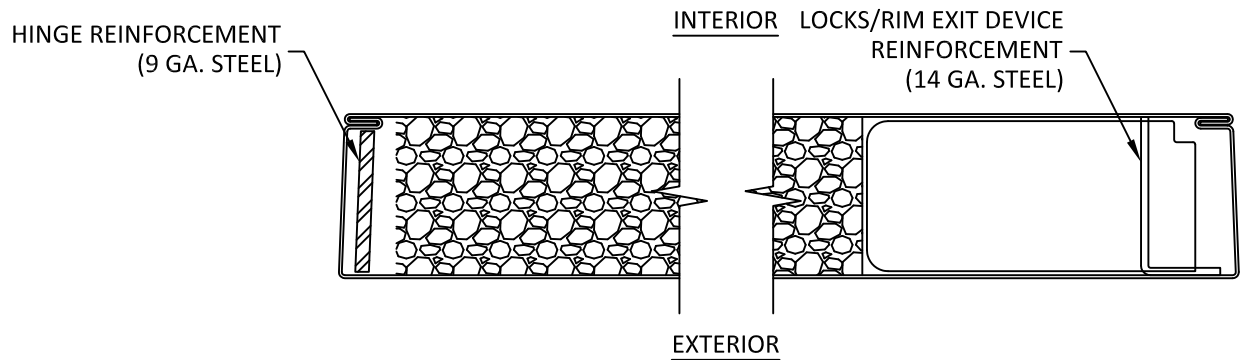


HERMES F. NORERO, P.E.
TEXAS P.E. No 118471
BUILDING DROPS, INC
398 E. DANIA BEACH BLVD. # 338
DANIA BEACH, FL 33004
TBPE FIRM No. 13/34

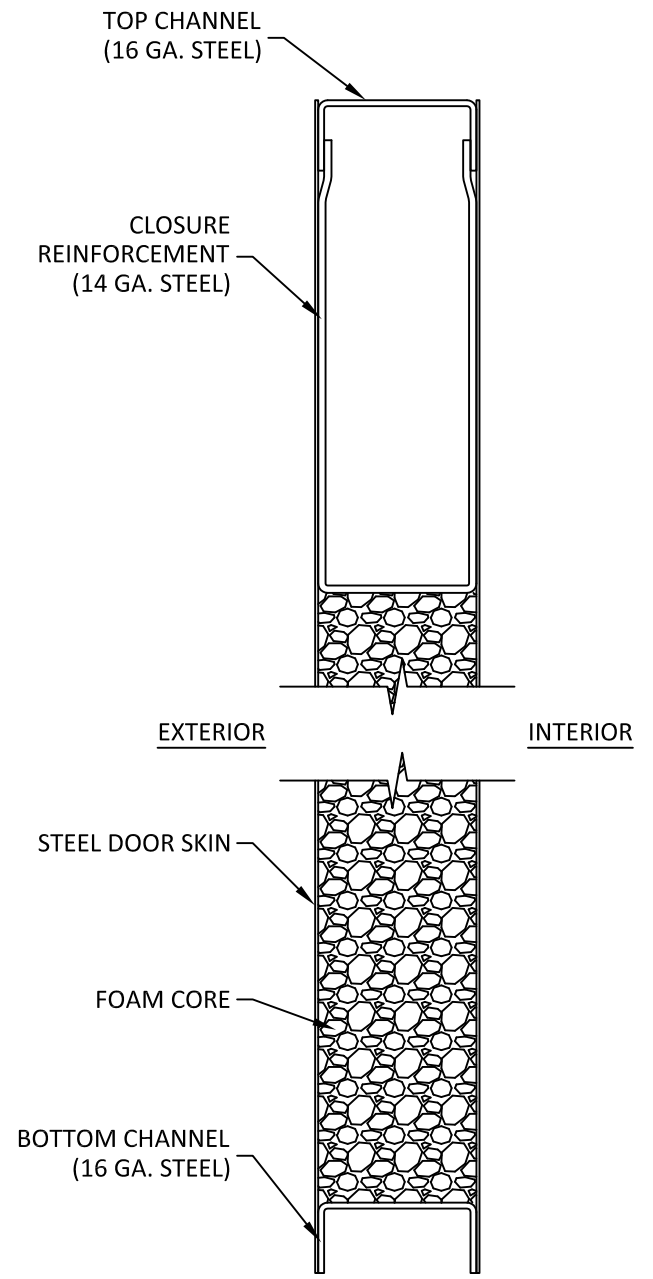
| | | |
|----------|----------|--------------|
| DATE: | 10.21.22 | |
| DWG. BY: | MS | CHK. BY: HFN |
| SCALE: | NTS | |
| DWG. #: | PRM001 | |
| SHEET: | 2 | |



STEEL DOOR SKIN: 18 GA. A60 GALV. (MIN. 0.042\" THK.)
CORE MATERIAL: EPS FOAM (POLYSTYRENE - 1.0 PCF MIN. DENSITY)



B
2 HORIZONTAL SECTION



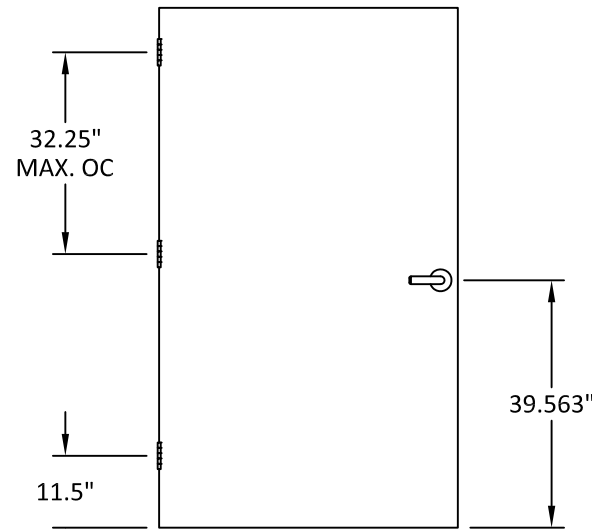
A
2 VERTICAL SECTION

SEE HARDWARE OPTIONS ON SHEET 3.

s:\projects\premier steel doors & frames\tdi-22-0922 - tdi submittal - swr-s18-4 & swr-s20-4 severe windstorm rated doors\dwgs\prmo01.dwg 11/8/2022 8:39 PM

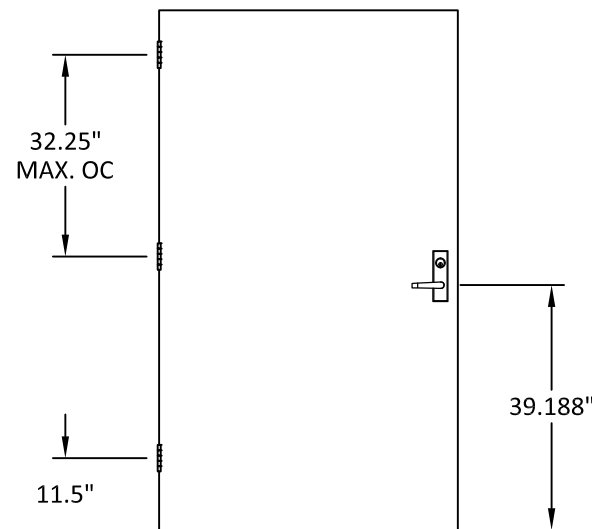
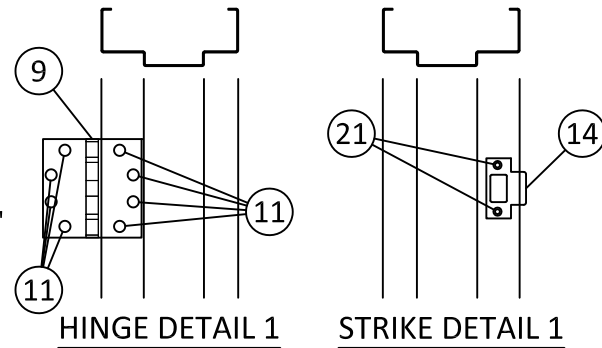
HARDWARE OPTIONS

47.75" X 83.125" PANEL DP +/- 50 PSF



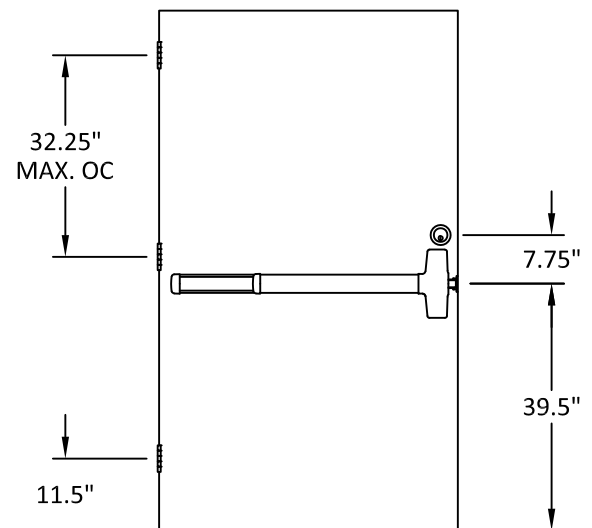
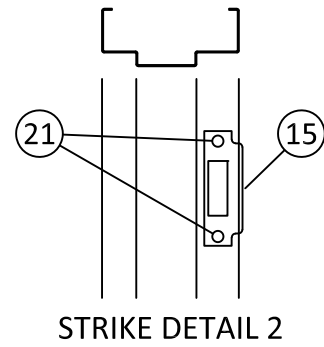
LOCK OPTION 1:
SARGENT 10 LINE G05 CYLINDRICAL LOCK

HINGE OPTION 1:
4-1/2" X 4-1/2" STANDARD HINGE



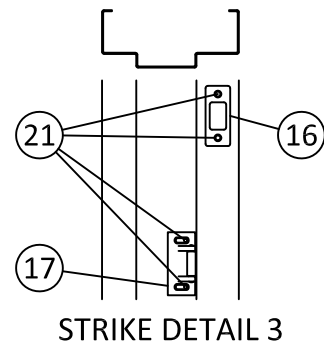
LOCK OPTION 2:
FALCON MA SERIES 571 MORTISE LOCK
W/ DEADBOLT

HINGE OPTION 1:
4-1/2" X 4-1/2" STANDARD HINGE

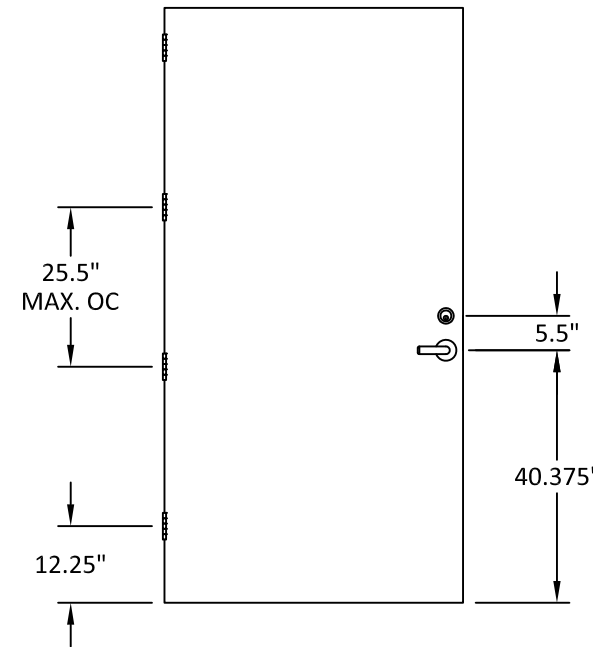


LOCK OPTION 3:
FALCON 25-R SERIES RIM EXIT DEVICE
W/ SCHLAGE B-600 SERIES DEADBOLT

HINGE OPTION 1:
4-1/2" X 4-1/2" STANDARD HINGE

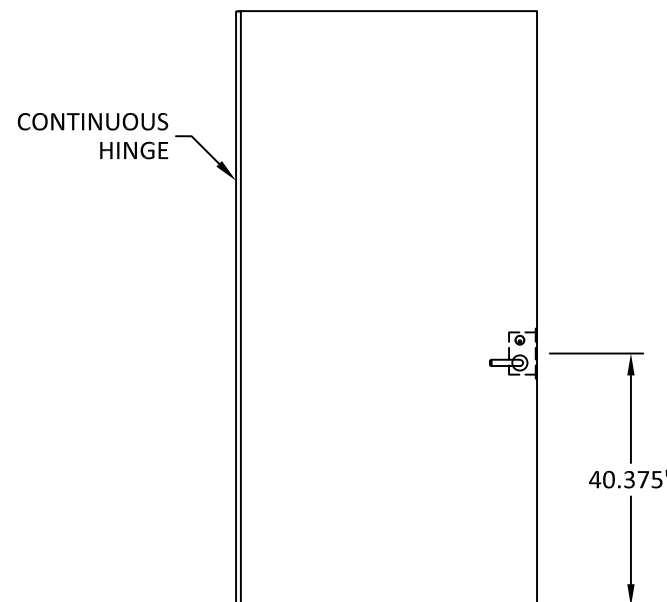
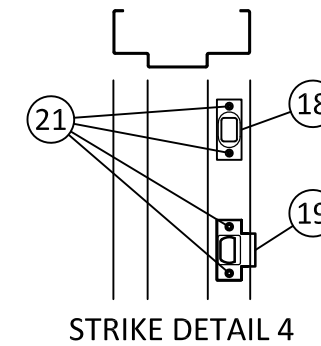


47.75" X 95.125" PANEL DP +/- 65 PSF



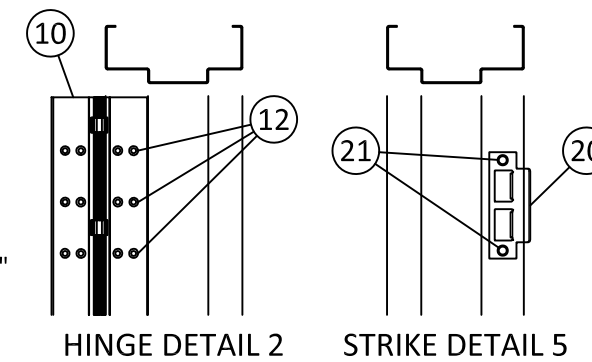
LOCK OPTION 4:
HAGER 2500 SERIES ENTRY LATCH
W/ HAGER 3100 SERIES DEADBOLT

HINGE OPTION 1:
4-1/2" X 4-1/2" STANDARD HINGE



LOCK OPTION 5:
HAGER 3800 SERIES MORTISE LOCK

HINGE OPTION 2:
HAGER 95" CLR ROTON CONTINUOUS HINGE



2840 STERLINGTON ROAD
MONROE, LA 71203
PH: (318) 361-0796

TITLE: SWR-S18-4 SEVERE WINDSTORM RATED DOOR (IMPACT) HARDWARE OPTIONS

PREPARED BY: BUILDING DROPS, INC.
398 E. DANIA BEACH BLVD., STE. 338
DANIA BEACH, FL 33004
PH: (954) 369-8278
FAX: (954) 744-4738
WEB: www.buildingdrops.com

| REMARKS | BY | DATE |
|---------|----|------|
| | | |
| | | |
| | | |

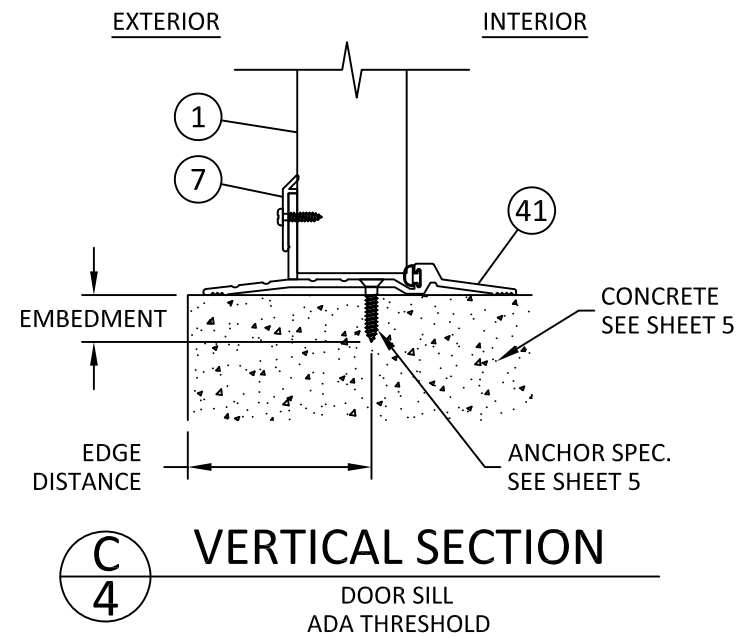
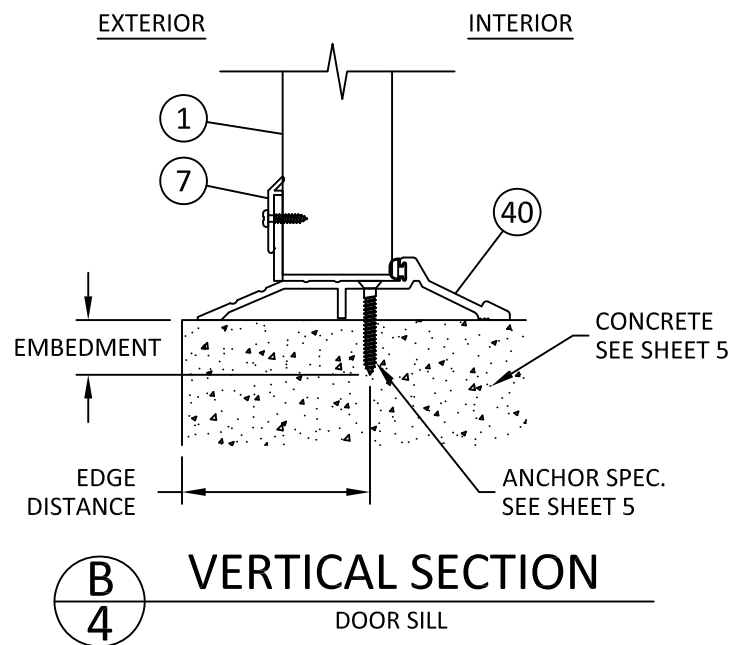
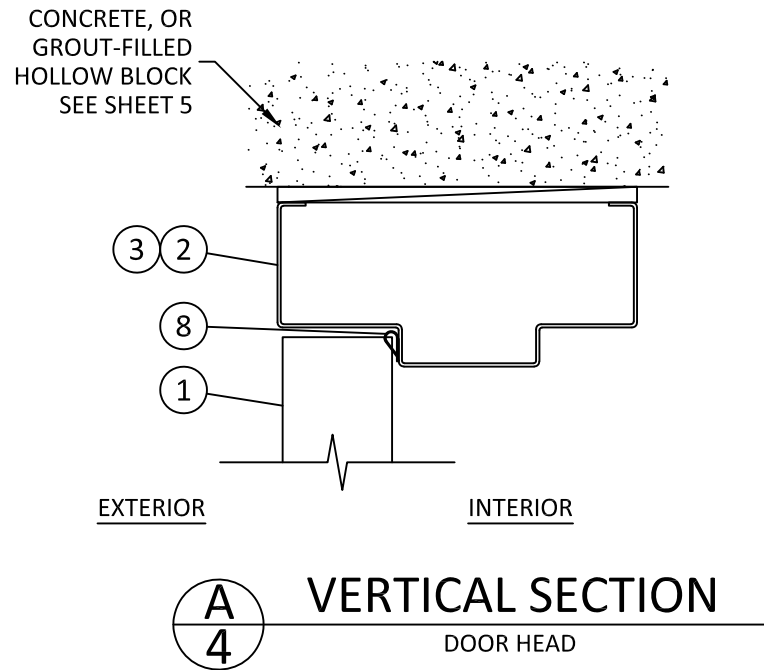
THE INSTALLATION DETAILS DESCRIBED HEREIN ARE GENERIC AND MAY NOT REFLECT ACTUAL CONDITIONS FOR A SPECIFIC SITE. IF SITE CONDITIONS CAUSE INSTALLATION TO DEVIATE FROM THE REQUIREMENTS DETAILED HEREIN, A LICENSED ENGINEER OR ARCHITECT SHALL PREPARE SITE SPECIFIC DOCUMENTS FOR USE WITH THIS DOCUMENT.



HERMES F. NORERO, P.E.
TEXAS P.E. No. 118471
BUILDING DROPS, INC.
398 E. DANIA BEACH BLVD. # 338
DANIA BEACH, FL 33004
TBPE FIRM No. 13734

| | |
|----------|----------|
| DATE: | 10.21.22 |
| DWG. BY: | MS |
| CHK. BY: | HFN |
| SCALE: | NTS |
| DWG. #: | PRM001 |

SHEET: 3 OF 8



2840 STERLINGTON ROAD
MONROE, LA 71203
PH: (318) 361-0796

TITLE: SWR-S18-4 SEVERE
WINDSTORM RATED DOOR
(IMPACT)
VERTICAL SECTIONS

PREPARED BY:
BD
BUILDING DROPS

BUILDING DROPS, INC.
398 E. DANIA BEACH BLVD., STE. 338
DANIA BEACH, FL 33004
PH: (954) 369-8278
FAX: (954) 744-4738
WEB: www.buildingdrops.com

| REMARKS | BY | DATE |
|---------|----|------|
| | | |
| | | |
| | | |

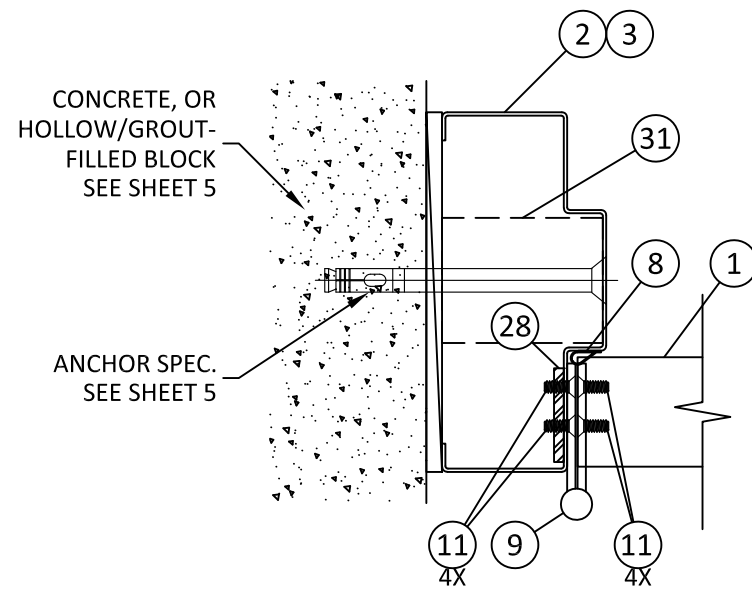
THE INSTALLATION DETAILS DESCRIBED HEREIN ARE GENERIC AND MAY NOT REFLECT ACTUAL CONDITIONS FOR A SPECIFIC SITE. IF SITE CONDITIONS CAUSE INSTALLATION TO DEVIATE FROM THE REQUIREMENTS DETAILED HEREIN, A LICENSED ENGINEER OR ARCHITECT SHALL PREPARE SITE SPECIFIC DOCUMENTS FOR USE WITH THIS DOCUMENT.



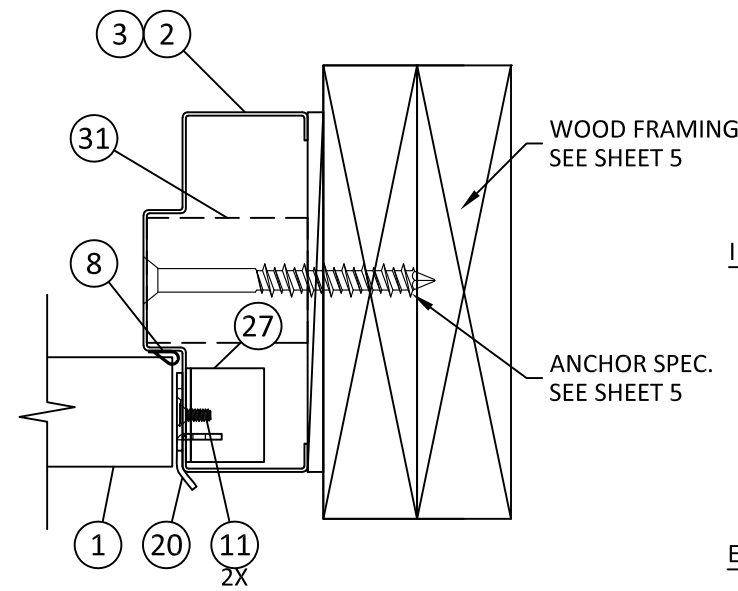
HERMES F. NORERO, P.E.
TEXAS P.E. No. 118471
BUILDING DROPS, INC
398 E. DANIA BEACH BLVD. # 338
DANIA BEACH, FL 33004
TBPE FIRM No. 13734

| | | |
|----------|----------|--------------|
| DATE: | 10.21.22 | |
| DWG. BY: | MS | CHK. BY: HFN |
| SCALE: | NTS | |
| DWG. #: | PRM001 | |

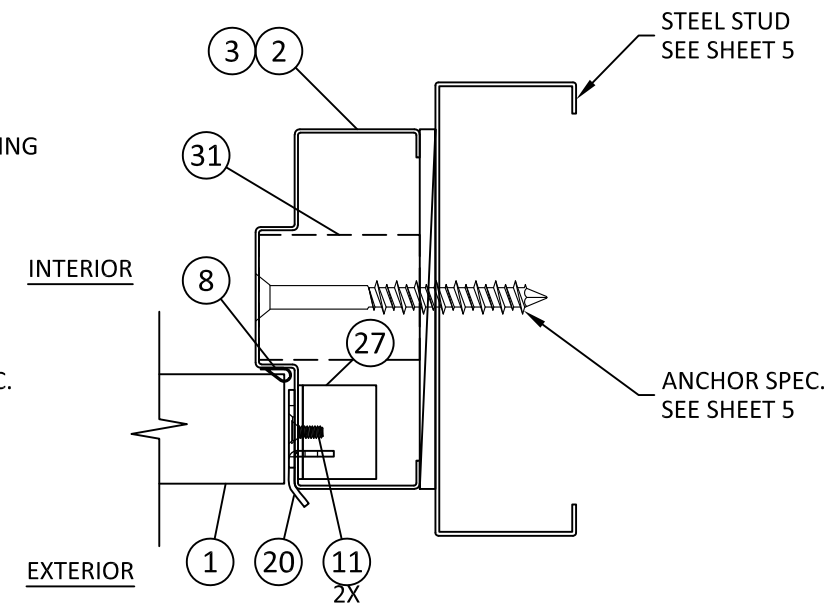
SHEET:
4
OF 8



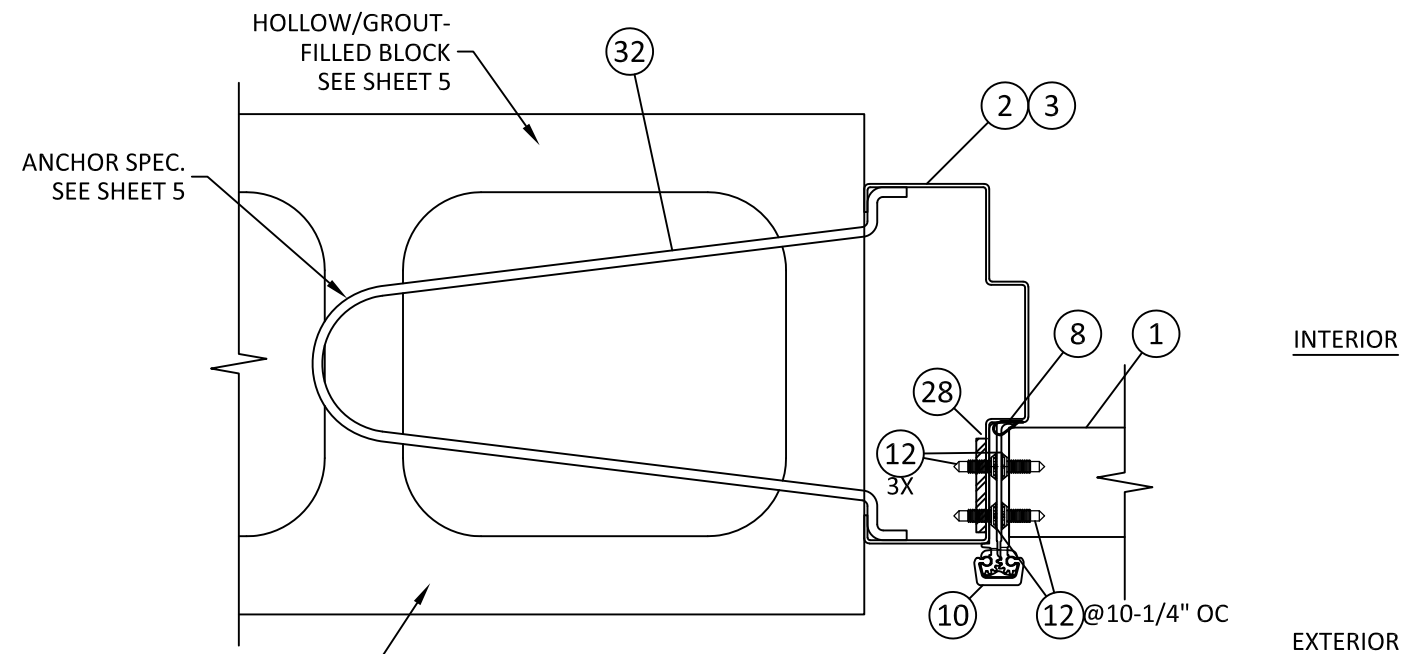
A HORIZONTAL SECTION
5 CONCRETE/HOLLOW BLOCK JAMB ANCHOR



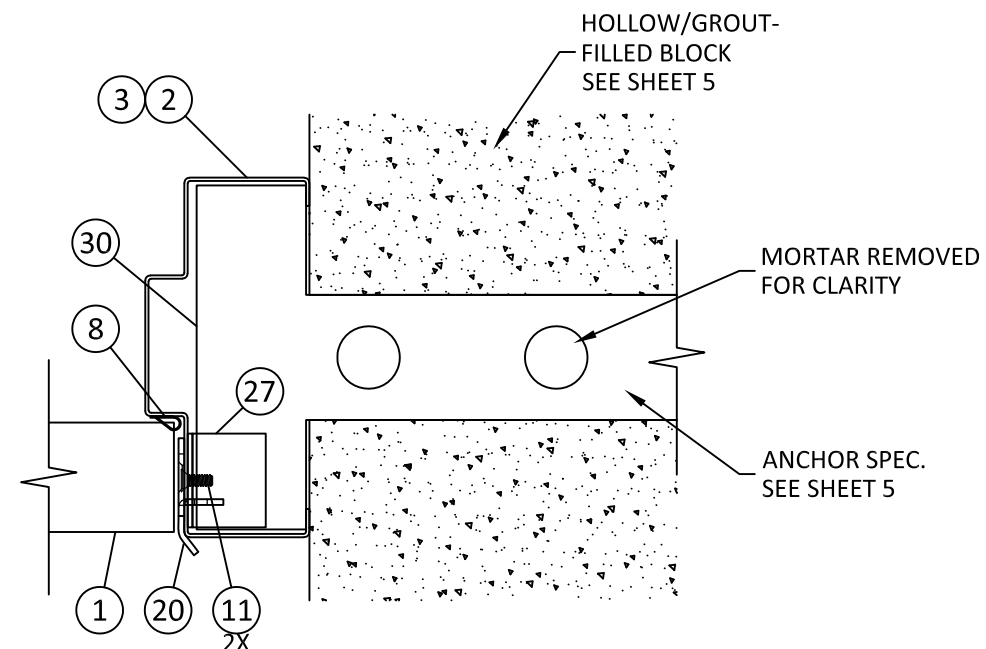
B HORIZONTAL SECTION
5 WOOD ANCHOR



C HORIZONTAL SECTION
5 STEEL ANCHOR



D HORIZONTAL SECTION
5 WIRE ANCHOR



E HORIZONTAL SECTION
5 "T" ANCHOR



2840 STERLINGTON ROAD
 MONROE, LA 71203
 PH: (318) 361-0796

TITLE: SWR-S18-4 SEVERE WINDSTORM RATED DOOR (IMPACT)
 HORIZONTAL SECTIONS

PREPARED BY: BUILDING DROPS, INC.
 398 E. DANIA BEACH BLVD., STE. 338
 DANIA BEACH, FL 33004
 PH: (954) 369-8278
 FAX: (954) 744-4738
 WEB: www.buildingdrops.com

| REMARKS | BY | DATE |
|---------|----|------|
| | | |
| | | |
| | | |

THE INSTALLATION DETAILS DESCRIBED HEREIN ARE GENERIC AND MAY NOT REFLECT ACTUAL CONDITIONS FOR A SPECIFIC SITE. IF SITE CONDITIONS CAUSE INSTALLATION TO DEVIATE FROM THE REQUIREMENTS DETAILED HEREIN, A LICENSED ENGINEER OR ARCHITECT SHALL PREPARE SITE SPECIFIC DOCUMENTS FOR USE WITH THIS DOCUMENT.



HERMES F. NORERO, P.E.
 TEXAS P.E. No 118471
 BUILDING DROPS, INC
 398 E. DANIA BEACH BLVD. # 338
 DANIA BEACH, FL 33004
 TBPE FIRM No. 13734

| | |
|----------|----------|
| DATE: | 10.21.22 |
| DWG. BY: | MS |
| CHK. BY: | HFN |
| SCALE: | NTS |
| DWG. #: | PRM001 |

SHEET: 5 OF 8

TITLE: SWR-S18-4 SEVERE WINDSTORM RATED DOOR (IMPACT) ANCHOR LAYOUT & INSTALLATION NOTES

PREPARED BY: BUILDING DROPS, INC.
398 E. DANIA BEACH BLVD., STE. 338
DANIA BEACH, FL 33004
PH: (954) 369-8278
FAX: (954) 744-4738
WEB: www.buildingdrops.com



| REMARKS | BY | DATE |
|---------|----|------|
| | | |
| | | |
| | | |

THE INSTALLATION DETAILS DESCRIBED HEREIN ARE GENERIC AND MAY NOT REFLECT ACTUAL CONDITIONS FOR A SPECIFIC SITE. IF SITE CONDITIONS CAUSE INSTALLATION TO DEVIATE FROM THE REQUIREMENTS DETAILED HEREIN, A LICENSED ENGINEER OR ARCHITECT SHALL PREPARE SITE SPECIFIC DOCUMENTS FOR USE WITH THIS DOCUMENT.



HERMES F. NORERO, P.E.
TEXAS P.E. No. 118471
BUILDING DROPS, INC
398 E. DANIA BEACH BLVD. # 338
DANIA BEACH, FL 33004
TBPE FIRM No. 13734

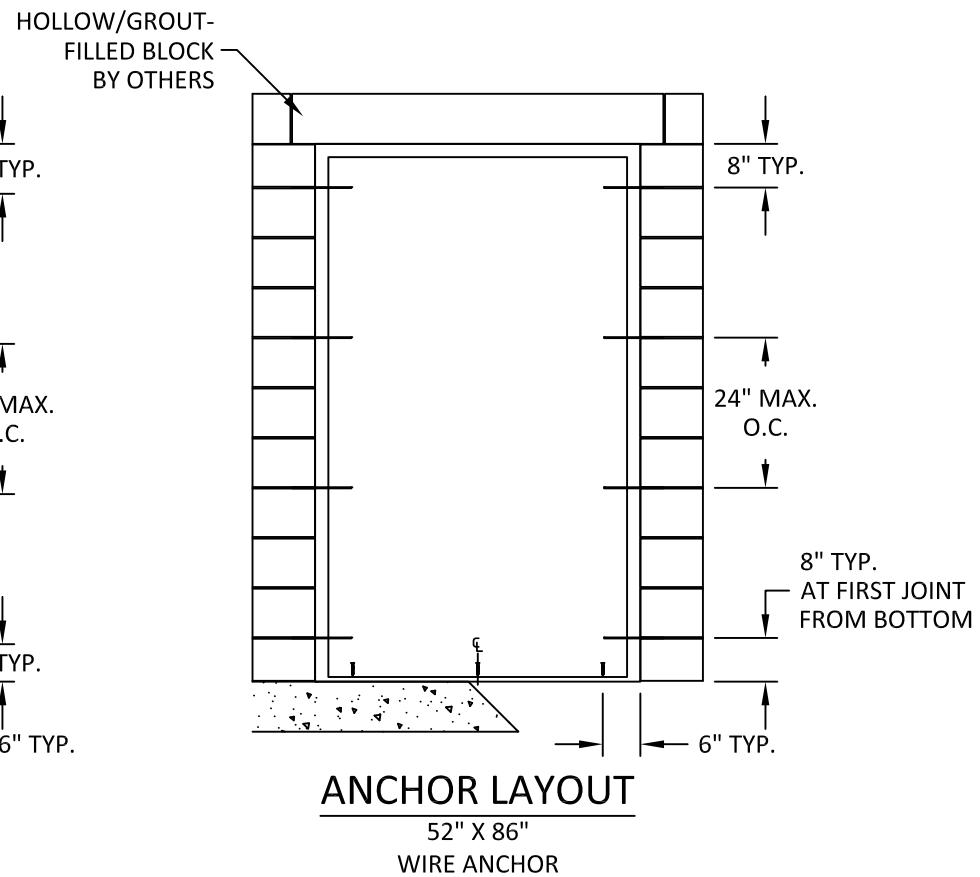
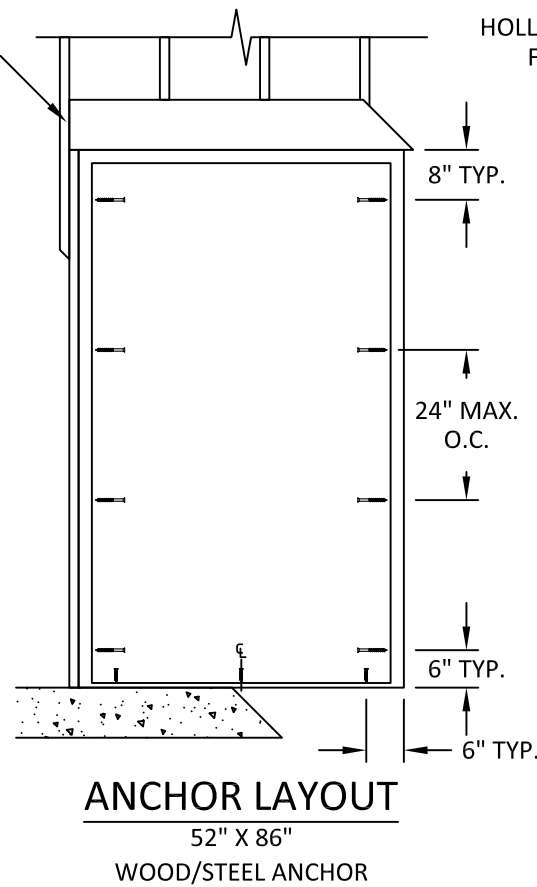
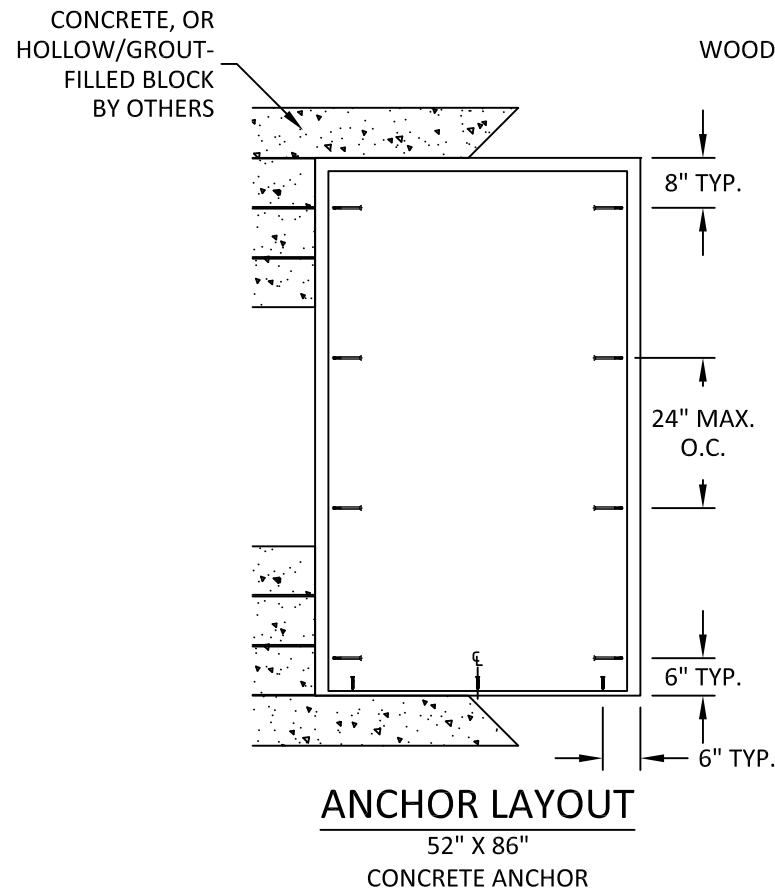
DATE: 10.21.22

DWG. BY: MS
CHK. BY: HFN

SCALE: NTS

DWG. #: PRM001

SHEET: 6

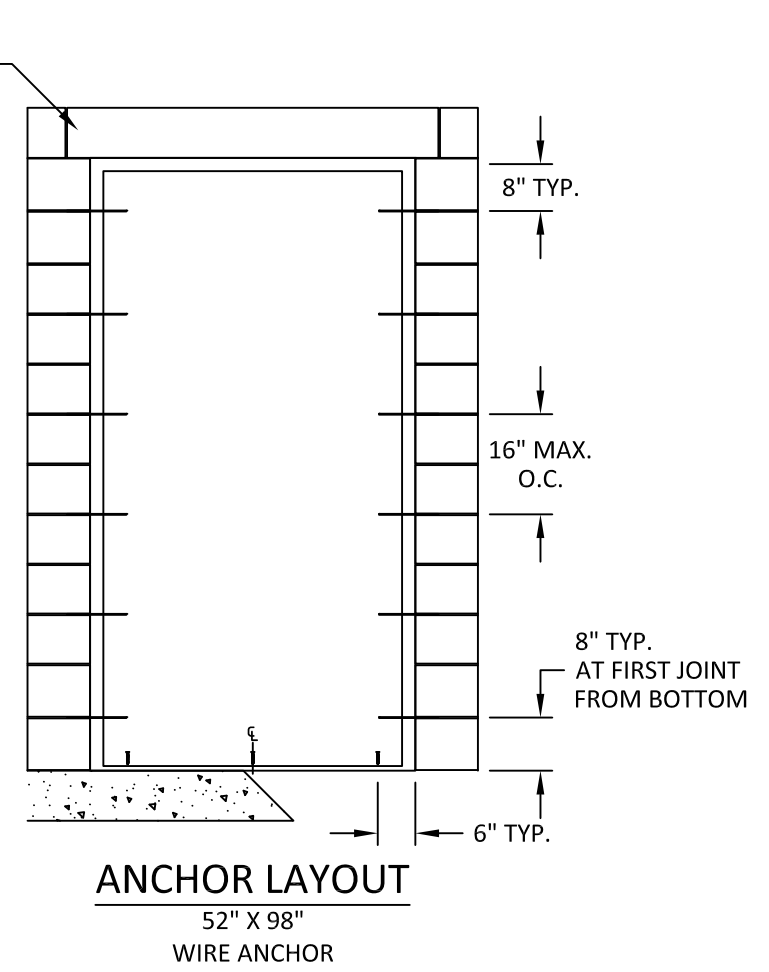
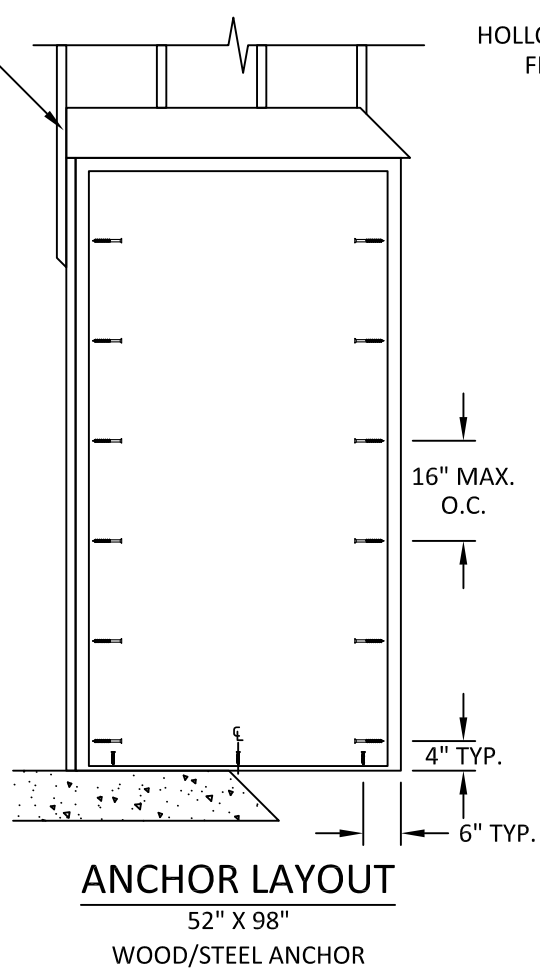
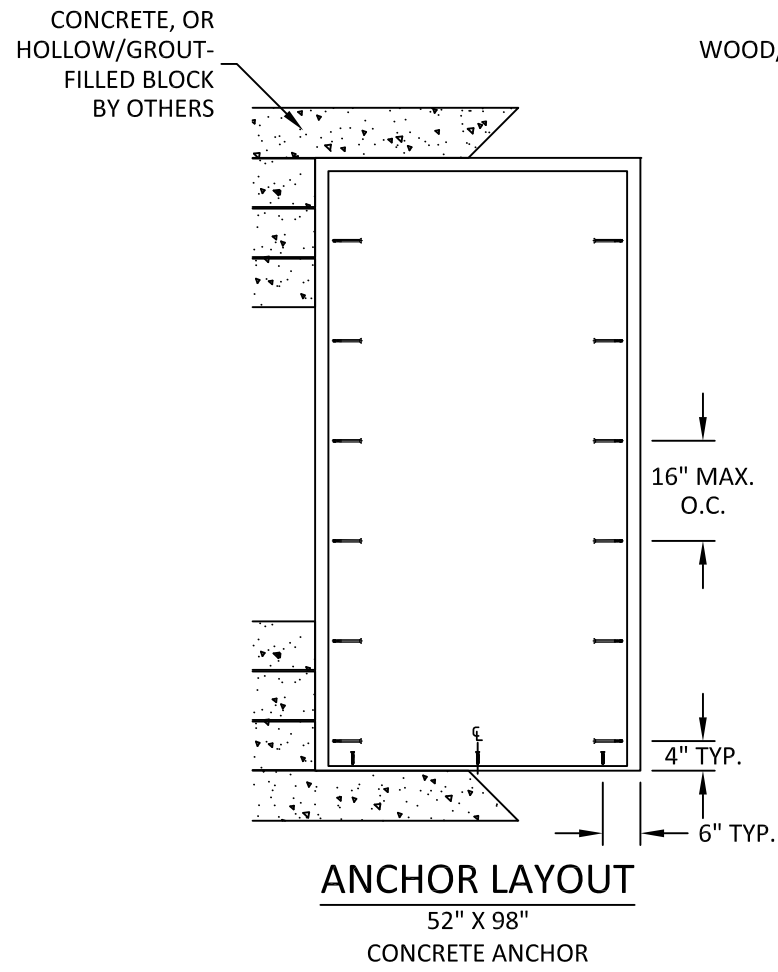


INSTALLATION NOTES:

- ONE (1) INSTALLATION ANCHOR IS REQUIRED AT EACH ANCHOR LOCATION.
- THE NUMBER OF INSTALLATION ANCHORS DEPICTED IS THE MINIMUM NUMBER OF ANCHORS TO BE USED FOR PRODUCT INSTALLATION OF THE MAXIMUM SIZE LISTED.
- INSTALL INDIVIDUAL INSTALLATION ANCHORS WITHIN A TOLERANCE OF ±1/4 INCH THE DEPICTED LOCATION & SPACING IN THE ANCHOR LAYOUT DETAILS (I.E., WITHOUT CONSIDERATION OF TOLERANCES). TOLERANCES ARE NOT CUMULATIVE FROM ONE INSTALLATION ANCHOR TO THE NEXT.
- SHIM AS REQUIRED AT EACH INSTALLATION ANCHOR WITH LOAD BEARING SHIM(S). MAXIMUM ALLOWABLE SHIM STACK TO BE 1/4 INCH. SHIM WHERE SPACE OF 1/16 INCH OR GREATER OCCURS. SHIM(S) SHALL BE CONSTRUCTED OF HIGH DENSITY PLASTIC OR BETTER.
- FOR MASONRY OR CONCRETE OPENINGS, A 1X WOOD BUCK MAY BE USED (OPTIONAL) AS LONG AS THE MINIMUM EMBEDMENT AND EDGE DISTANCE REQUIREMENTS ARE STILL MET WITHIN THE CORRESPONDING HOST SUBSTRATE. SEE GENERAL NOTE #3 ON SHEET 1 FOR MORE INFORMATION.
- MINIMUM EMBEDMENT AND EDGE DISTANCE EXCLUDE WALL FINISHES, INCLUDING BUT NOT LIMITED TO STUCCO, FOAM, BRICK VENEER, AND SIDING.
- INSTALLATION ANCHORS AND ASSOCIATED HARDWARE MUST BE MADE OF CORROSION RESISTANT MATERIAL OR HAVE A CORROSION RESISTANT COATING.
- FOR HOLLOW BLOCK AND GROUT FILLED BLOCK, DO NOT INSTALL INSTALLATION ANCHORS INTO MORTAR JOINTS. EDGE DISTANCE IS MEASURED FROM FREE EDGE OF BLOCK OR EDGE OF MORTAR JOINT INTO FACE SHELL OF BLOCK.
- INSTALLATION ANCHORS SHALL BE INSTALLED IN ACCORDANCE WITH ANCHOR MANUFACTURER'S INSTALLATION INSTRUCTIONS, AND ANCHORS SHALL NOT BE USED IN SUBSTRATES WITH STRENGTHS LESS THAN THE MINIMUM STRENGTH SPECIFIED BY THE ANCHOR MANUFACTURER.

| ANCHOR SCHEDULE | | | | |
|--------------------|---|-----------------------------|--|--------------------|
| METHOD | SUBSTRATE | ANCHOR TYPE | MIN. EMBEDMENT | MIN. EDGE DISTANCE |
| THROUGH JAMB FRAME | WOOD: MIN. S.G. = 0.42 | 3/8" LAG SCREW | 1-1/2" | 1" |
| | STEEL MIN. 18 GA. (MIN. Fy = 36 ksi) | 3/8" SMS | 3 THREADS MIN PENETRATION BEYOND METAL | 3/4" |
| | CONCRETE: MIN. f'c = 3000 psi OR, HOLLOW/ GROUT-FILLED BLOCK per ASTM C90 | 3/8" DYNABOLT SLEEVE ANCHOR | 1-1/2" | 2-1/4" |
| | | 3/8" ITW LDT | 1-1/2" | 3" |
| | HOLLOW/ GROUT-FILLED BLOCK per ASTM C90 | WIRE ANCHOR | 8-13/16" | 1-11/16" |
| | | "T" ANCHOR | 11-15/16" | 3-1/16" |
| THROUGH SILL | CONCRETE: MIN. f'c = 3000 psi | 1/4" ITW TAPCON | 1" | 1-1/2" |
| | | 1/4" DEWALT ULTRACON+ | 1" | 2-1/2" |

s:\projects\premier steel doors & frames\tdi-22-0922 - tdi submittal - swr-s18-4 & swr-s20-4 severe windstorm rated doors\dwgs\prmo01.dwg 11/8/2022 8:39 PM



INSTALLATION NOTES AND ANCHOR SPECIFICATIONS SEE SHEET 6



2840 STERLINGTON ROAD
MONROE, LA 71203
PH: (318) 361-0796

TITLE: SWR-S18-4 SEVERE WINDSTORM RATED DOOR (IMPACT) ANCHOR LAYOUT & INSTALLATION NOTES
PREPARED BY: BUILDING DROPS, INC.
398 E. DANIA BEACH BLVD., STE. 338
DANIA BEACH, FL 33004
PH: (954) 369-8478
FAX: (954) 744-4738
WEB: www.buildingdrops.com



| REMARKS | BY | DATE |
|---------|----|------|
| | | |
| | | |
| | | |

THE INSTALLATION DETAILS DESCRIBED HEREIN ARE GENERIC AND MAY NOT REFLECT ACTUAL CONDITIONS FOR A SPECIFIC SITE. IF SITE CONDITIONS CAUSE INSTALLATION TO DEVIATE FROM THE REQUIREMENTS DETAILED HEREIN, A LICENSED ENGINEER OR ARCHITECT SHALL PREPARE SITE SPECIFIC DOCUMENTS FOR USE WITH THIS DOCUMENT.

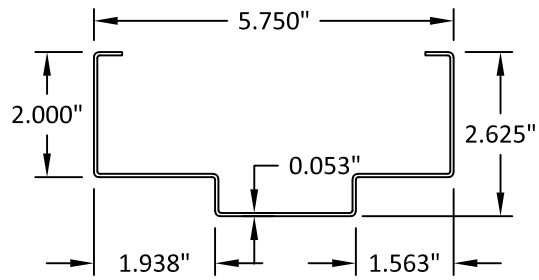


HERMES F. NORERO, P.E.
TEXAS P.E. No 118471
BUILDING DROPS, INC
398 E. DANIA BEACH BLVD. # 338
DANIA BEACH, FL 33004
TBPE FIRM No. 13734

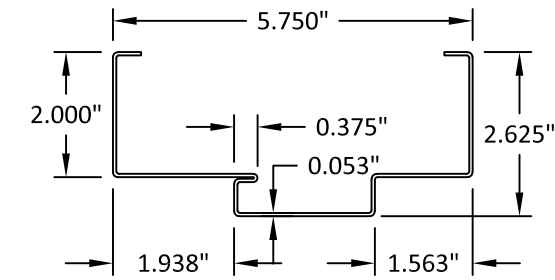
DATE: 10.21.22
DWG. BY: MS
CHK. BY: HFN
SCALE: NTS
DWG. #: PRM001
SHEET:

s:\projects\premier steel doors & frames\tdi-22-0922 - tdi submittal - swr-s18-4 & swr-z0-4 severe windstorm rated doors\dwgs\prmo01.dwg 11/8/2022 8:39 PM

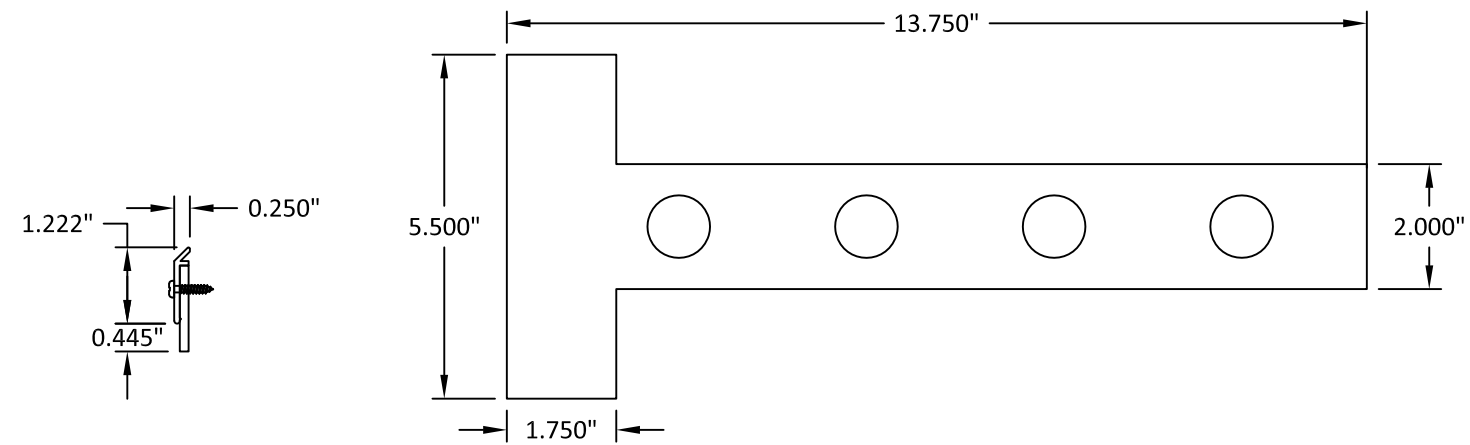
| BILL OF MATERIALS | | |
|-------------------|-------------------------------------|-------------|
| ITEM# | DESCRIPTION | MATERIAL |
| 1 | STEEL DOOR PANEL | - |
| 2 | HOLLOW METAL FRAME (16 GA.) | STEEL |
| 3 | HOLLOW METAL FRAME - KERF (16 GA.) | STEEL |
| 7 | DOOR SWEEP (PEMKO 315 BN) | ALUM./VINYL |
| 8 | WEATHER STRIP (PEMKO S88) | SILICONE |
| 9 | 4-1/2" X 4-1/2" HINGE | STEEL |
| 10 | 95" CONTINUOUS HINGE | STEEL |
| 11 | #12-24 X 1/2" PFH MACHINE SCREW | STEEL |
| 12 | #12-24 FH SCREW | STEEL |
| 14 | CYLINDRICAL LOCK STRIKE PLATE | STEEL |
| 15 | MORTISE STRIKE PLATE | STEEL |
| 16 | DEADBOLT STRIKE PLATE | STEEL |
| 17 | RIM PANIC DEVICE STRIKE PLATE | STEEL |
| 18 | DEADBOLT STRIKE PLATE | STEEL |
| 19 | LATCH STRIKE PLATE | STEEL |
| 20 | CYLINDRICAL LOCK STRIKE PLATE | STEEL |
| 21 | #12 X 1" FH SCREW | STEEL |
| 27 | FRAME STRIKE REINFORCEMENT (14 GA.) | STEEL |
| 28 | FRAME HINGE REINFORCEMENT (9 GA.) | STEEL |
| 30 | "T" ANCHOR | STEEL |
| 31 | EXISTING WALL ANCHOR | STEEL |
| 32 | WIRE ANCHOR | STEEL |
| 40 | THRESHOLD (PEMKO 181 V) | ALUMINUM |
| 41 | THRESHOLD (PEMKO 2005 V) | ALUMINUM |



2 HOLLOW METAL FRAME

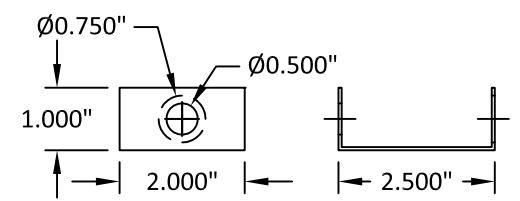


3 HOLLOW METAL FRAME KERF

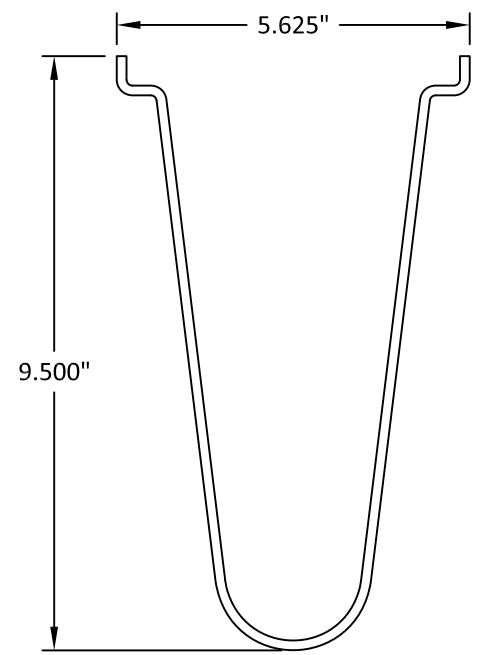


7 DOOR SWEEP

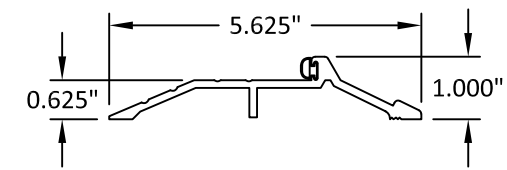
30 "T" ANCHOR 16 GA. STEEL



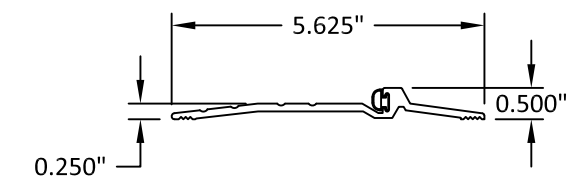
31 EXISTING WALL ANCHOR



32 WIRE ANCHOR 9 GA. STEEL



40 THRESHOLD PRMKO 181 V



41 THRESHOLD PRMKO 2005 V



2840 STERLINGTON ROAD
MONROE, LA 71203
PH: (318) 361-0796

TITLE: SWR-S18-4 SEVERE WINDSTORM RATED DOOR (IMPACT) COMPONENTS & BILL OF MATERIALS
PREPARED BY: BUILDING DROPS, INC.
398 E. DANIA BEACH BLVD., STE. 338
DANIA BEACH, FL 33004
PH: (954) 399-8278
FAX: (954) 744-4738
WEB: www.buildingdrops.com

| REMARKS | BY | DATE |
|---------|----|------|
| | | |
| | | |
| | | |

THE INSTALLATION DETAILS DESCRIBED HEREIN ARE GENERIC AND MAY NOT REFLECT ACTUAL CONDITIONS FOR A SPECIFIC SITE. IF SITE CONDITIONS CAUSE INSTALLATION TO DEVIATE FROM THE REQUIREMENTS DETAILED HEREIN, A LICENSED ENGINEER OR ARCHITECT SHALL PREPARE SITE SPECIFIC DOCUMENTS FOR USE WITH THIS DOCUMENT.



HERMES F. NORERO, P.E.
TEXAS P.E. No 118471
BUILDING DROPS, INC
398 E. DANIA BEACH BLVD. # 338
DANIA BEACH, FL 33004
TBPE FIRM No. 13734

DATE: 10.21.22
DWG. BY: MS
CHK. BY: HFN
SCALE: NTS
DWG. #: PRM001
SHEET: 8