

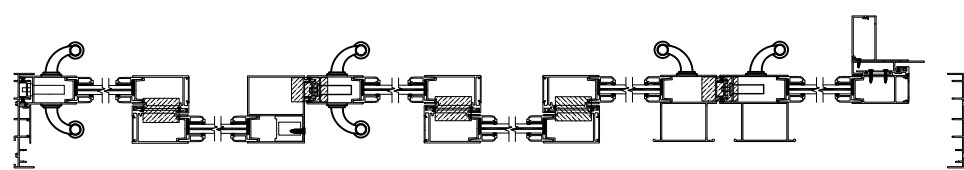
NOTES:

- 1) THE PRODUCT SHOWN HEREIN IS DESIGNED AND MANUFACTURED TO COMPLY WITH REQUIREMENTS OF THE 2018 INTERNATIONAL BUILDING CODE AND 2018 INTERNATIONAL RESIDENTIAL CODE.
- 2) WOOD FRAMING/2X BUCK, 20 GA. 2X WOOD BACKED STEEL STUD OR MASONRY/CONCRETE OPENING TO BE DESIGNED AND ANCHORED TO PROPERLY TRANSFER ALL LOADS TO STRUCTURE. WOOD FRAMING/2X BUCK, 20 GA. 2X WOOD BACKED STEEL STUD OR MASONRY/CONCRETE OPENING IS THE RESPONSIBILITY OF THE ARCHITECT OR ENGINEER OF RECORD.
- 3) ALLOWABLE STRESS INCREASE OF 1/3 WAS NOT USED IN THE DESIGN OF THE PRODUCT SHOWN HEREIN. WIND LOAD DURATION FACTOR Cd=1.6 WAS USED FOR WOOD ANCHOR CALCULATIONS.
- 4) FRAME MATERIAL: EXTRUDED ALUMINUM 6063-T6 .075" THICK. PANEL MATERIAL: EXTRUDED ALUMINUM 6063-T6 .080" THICK.
- 5) UNITS MUST BE GLAZED WITH LARGE MISSILE IMPACT SINGLE LAMINATED OR INSULATED LAMINATED GLASS AS SHOWN IN GLAZING DETAILS ON SHEETS 10 AND 11, PER ASTM E1300.
- 6) APPROVED IMPACT PROTECTIVE SYSTEM IS NOT REQUIRED FOR THIS PRODUCT IN AREAS WHERE WIND BORNE DEBRIS PROTECTION IS REQUIRED.
- 7) APPROVED TO BE INSTALLED ON A 2 TRACK, 3 TRACK OR 4 TRACK FRAME SYSTEM WITH OR WITHOUT POCKETS. POCKET CAN BE INTERIOR OR EXTERIOR POCKET.
- 8) POCKET WALL IS NOT PART OF THIS APPROVAL. POCKET WALL MUST BE UNDER SEPERATE APPROVAL.

8100 SERIES 4'0 x 10'0 LMI SGD
TYPICAL ELEVATION EXTERIOR VIEW

6" TO WEEP SLOT
WEEP SLOT 1" x .1875"
TYP. LOCATED AT ALL VERTICAL CENTER LINES

(6) PANELS SHOWN, UNLIMITED NUMBER OF PANELS IN UNLIMITED CONFIGURATIONS IS APPLICABLE AS LONG AS INDIVIDUAL PANEL SIZE DOES NOT EXCEED MAXIMUM PANEL SIZE AND USE VERTICAL CONDITIONS AS SHOWN.

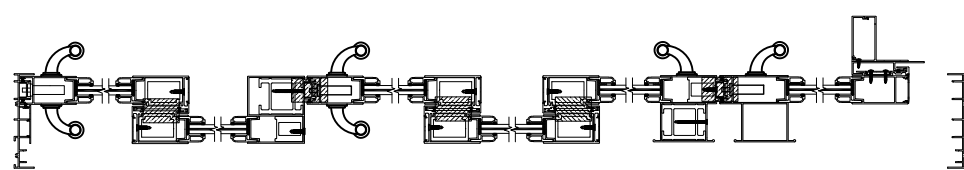


8100 SERIES 4'0 x 10'0 LMI NON-REINFORCED SGD
2 TRACK LAYOUT

NON-REINFORCED

| DESIGN PRESSURE RATING | IMPACT RATING |
|------------------------|----------------------|
| ±70PSF | LARGE MISSILE IMPACT |

REQUIRED SILL RISER: ITEM #35 (3")
OPTIONAL SILL RISERS: ITEMS #36 (3 1/2") AND #37 (4 1/4")



8100 SERIES 4'0 x 10'0 LMI REINFORCED SGD
2 TRACK LAYOUT

REINFORCED

| DESIGN PRESSURE RATING | IMPACT RATING |
|------------------------|----------------------|
| +90/-110PSF | LARGE MISSILE IMPACT |

REQUIRED SILL RISER: ITEM #35 (3")
OPTIONAL SILL RISERS: ITEMS #36 (3 1/2") AND #37 (4 1/4")

4'0 x 10'0 PANEL AND D.L.O. FORMULA
PANEL HEIGHT = UNIT HEIGHT - 1 9/16"
D.L.O. HEIGHT STANDARD BOTTOM RAIL = PANEL HEIGHT - 9 25/32"
D.L.O. HEIGHT TALL BOTTOM RAIL = PANEL HEIGHT - 13 3/8"
D.L.O. WIDTH = NOMINAL PANEL WIDTH - 8"

| TABLE OF CONTENTS | |
|-------------------|---|
| SHEET NO. | DESCRIPTION |
| 1 - 6 | ELEVATIONS, HORIZONTAL CROSS SECTIONS AND NOTES |
| 7 - 9 | ANCHORING LAYOUT, NOTES AND DETAILS |
| 10 - 11 | BILL OF MATERIALS AND GLAZING DETAILS |
| 12 - 15 | CROSS SECTIONS |
| 16 - 19 | INSTALLATION DETAILS |
| 20 - 22 | COMPONENTS |

WinDoor®
INCORPORATED
WINDOOR INCORPORATED
104 TRIPLE DIAMOND BLVD.
NORTH VENICE, FL 34275; (833) 554-5432

PREPARED BY A. LYNN MILLER
1070 TECHNOLOGY DRIVE
N. VENICE, FL 34275
(941) 480-1600
REGISTRATION #29296

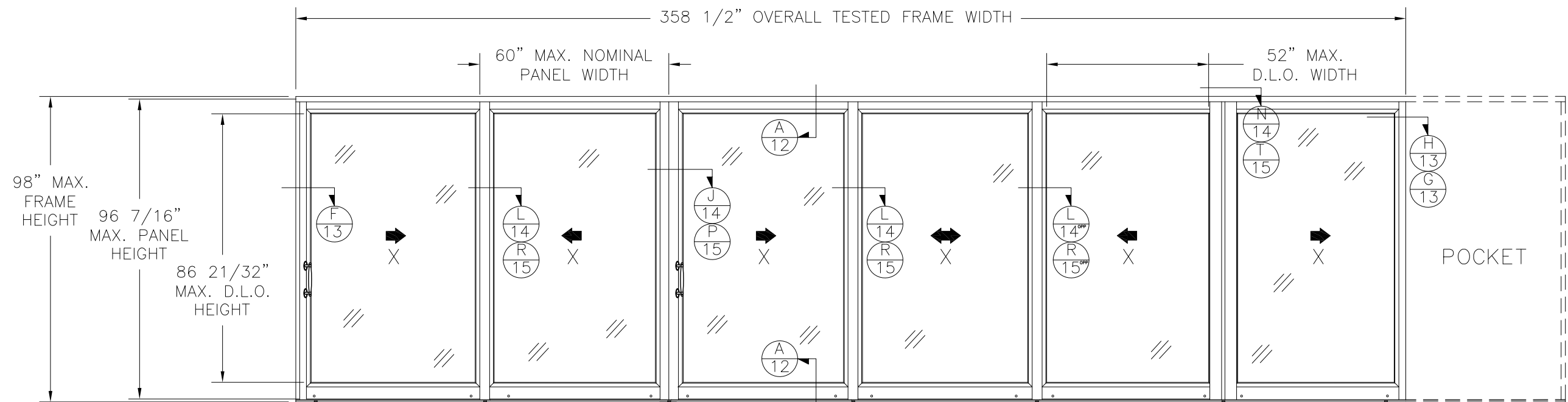
COPYRIGHT © 2021 WINDOOR INC.
LIMITED LICENSE TO MAKE COPIES FOR PERMITTING.

| | | | |
|----------|----------------------------------|--|--------------|
| Series | Desc. | Title | Date |
| SGD8100A | 4 X 10 PANELS, 2-TRACK ELEVATION | SLIDING GLASS DOOR - W/WO REINF. - (LMI) | 02/02/21 |
| Scale | NTS | Drawn By | J ROSOWSKI |
| Sheet | 1 OF 22 | DWG No. | TDI-8100LM-1 |
| Rev. | - | | |

STATE OF TEXAS

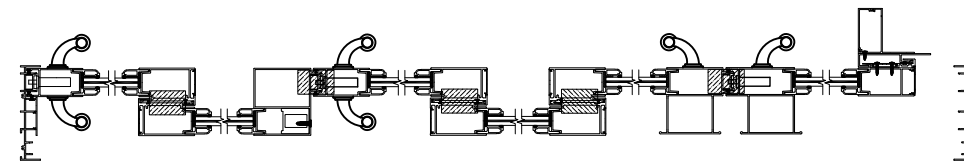
ANTHONY LYNN MILLER
106954
LICENSED PROFESSIONAL ENGINEER

A. Lynn Miller 2/5/21
A. LYNN MILLER, P.E.
P.E.# 106954



8100 SERIES 5'0 x 8'2 LMI SGD
TYPICAL ELEVATION EXTERIOR VIEW

(6) PANELS SHOWN, UNLIMITED NUMBER OF PANELS IN UNLIMITED CONFIGURATIONS IS APPLICABLE AS LONG AS INDIVIDUAL PANEL SIZE DOES NOT EXCEED MAXIMUM PANEL SIZE AND USE VERTICAL CONDITIONS AS SHOWN.

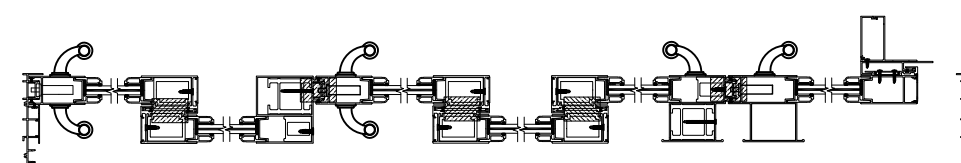


8100 SERIES 5'0 x 8'2 LMI NON-REINFORCED SGD
2 TRACK LAYOUT

NON-REINFORCED

| DESIGN PRESSURE RATING | IMPACT RATING |
|------------------------|----------------------|
| ±70PSF | LARGE MISSILE IMPACT |

REQUIRED SILL RISER: ITEM #35 (3")
OPTIONAL SILL RISERS: ITEMS #36 (3 1/2")
AND #37 (4 1/4")



8100 SERIES 5'0 x 8'2 LMI REINFORCED SGD
2 TRACK LAYOUT REINFORCED

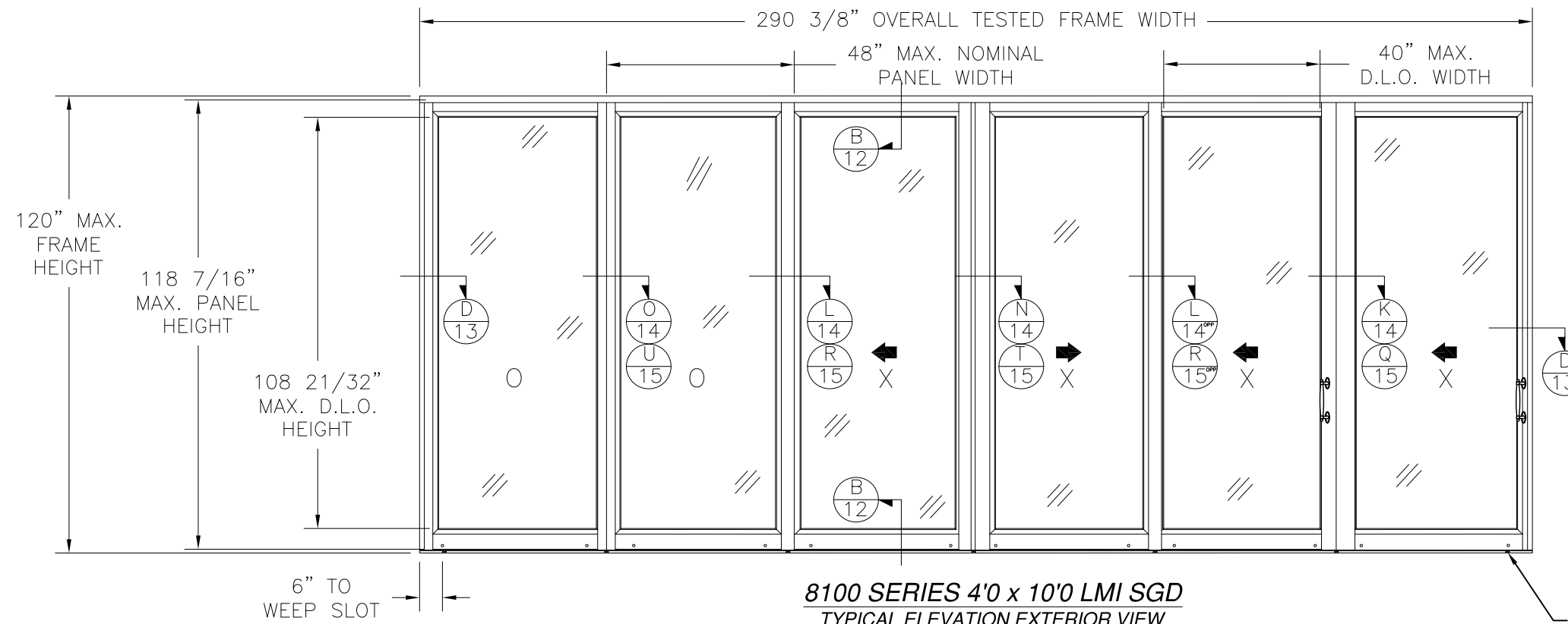
| DESIGN PRESSURE RATING | IMPACT RATING |
|------------------------|----------------------|
| +90/-110PSF | LARGE MISSILE IMPACT |

REQUIRED SILL RISER: ITEM #35 (3")
OPTIONAL SILL RISERS: ITEMS #36 (3 1/2")
AND #37 (4 1/4")

5'0 x 8'2 PANEL AND D.L.O. FORMULA
PANEL HEIGHT = UNIT HEIGHT - 1 9/16"
D.L.O. HEIGHT STANDARD BOTTOM RAIL = PANEL HEIGHT - 9 25/32"
D.L.O. HEIGHT TALL BOTTOM RAIL = PANEL HEIGHT - 13 3/8"
D.L.O. WIDTH = NOMINAL PANEL WIDTH - 8"

| | | | |
|---|------------------------|---|-------------------------|
| | | PREPARED BY A. LYNN MILLER 1070 TECHNOLOGY DRIVE N. VENICE, FL 34275 (941) 480-1600 REGISTRATION #29296 | |
| COPYRIGHT © 2021 WINDOOR INC. LIMITED LICENSE TO MAKE COPIES FOR PERMITTING. | | | |
| Title SLIDING GLASS DOOR - W/WO REINF. - (LMI) | Date 02/02/21 | | |
| Series Desc. 5 X 98" PANELS, 2-TRACK ELEVATION | Drawn By J ROSOWSKI | | |
| Series SGD8100A | Scale NTS | Sheet 2 OF 22 | DWG No. TDI-8100LM-1 |
| | | Rev. - | |

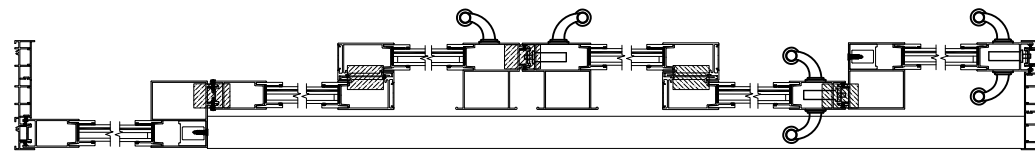
Anthony Lynn Miller
A. Lynn Miller, P.E.
P.E.# 106954



8100 SERIES 4'0 x 10'0 LMI SGD
TYPICAL ELEVATION EXTERIOR VIEW

(6) PANELS SHOWN, UNLIMITED NUMBER OF PANELS IN UNLIMITED CONFIGURATIONS IS APPLICABLE AS LONG AS INDIVIDUAL PANEL SIZE DOES NOT EXCEED MAXIMUM PANEL SIZE AND USE VERTICAL CONDITIONS AS SHOWN.

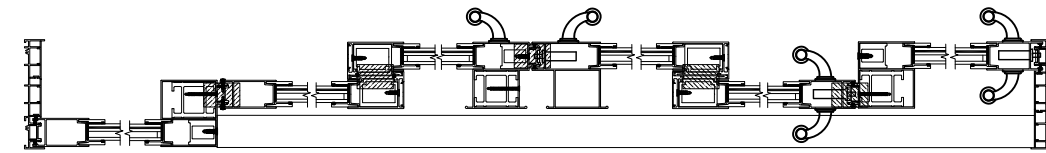
WEEP SLOT 1" x .1875" TYP. LOCATED AT ALL VERTICAL CENTER LINES



8100 SERIES 4'0 x 10'0 LMI NON-REINFORCED SGD
3 TRACK LAYOUT
NON-REINFORCED

| DESIGN PRESSURE RATING | IMPACT RATING |
|------------------------|----------------------|
| ±70PSF | LARGE MISSILE IMPACT |

REQUIRED SILL RISER: ITEM #35 (3")
 OPTIONAL SILL RISERS: ITEMS #36 (3 1/2") AND #37 (4 1/4")



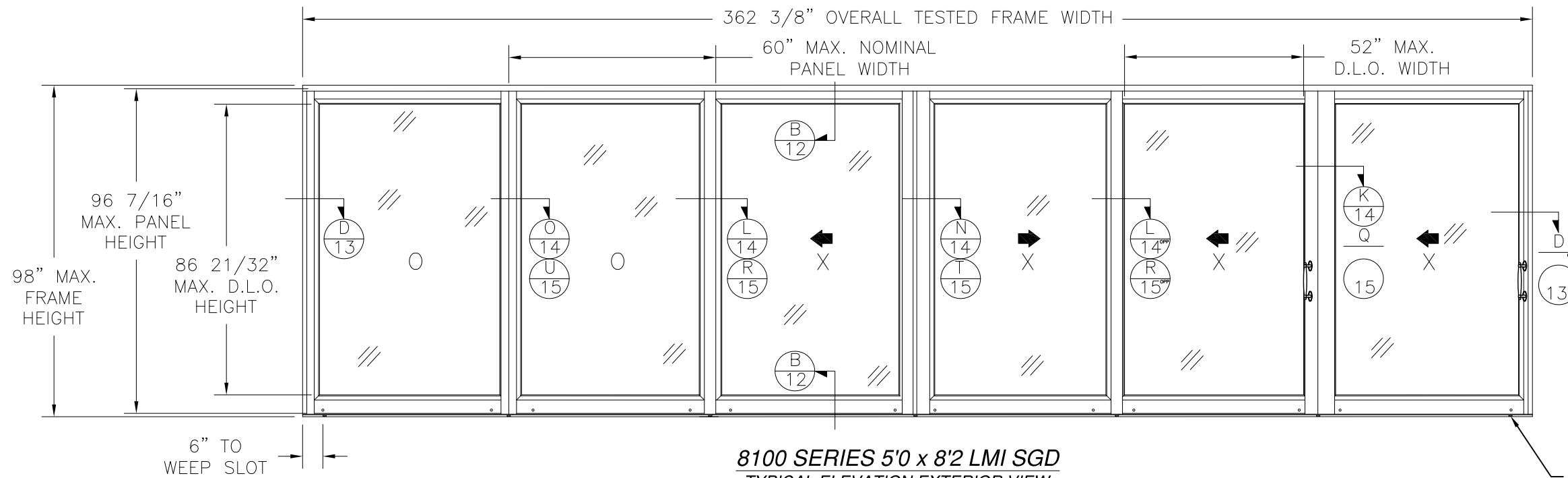
8100 SERIES 4'0 x 10'0 LMI REINFORCED SGD
3 TRACK LAYOUT
REINFORCED

| DESIGN PRESSURE RATING | IMPACT RATING |
|------------------------|----------------------|
| +90/-110PSF | LARGE MISSILE IMPACT |

REQUIRED SILL RISER: ITEM #35 (3")
 OPTIONAL SILL RISERS: ITEMS #36 (3 1/2") AND #37 (4 1/4")

| | | | |
|---|--|---|------|
| | | PREPARED BY A. LYNN MILLER 1070 TECHNOLOGY DRIVE N. VENICE, FL 34275 (941) 480-1600 REGISTRATION #29296 | |
| COPYRIGHT © 2021 WINDOOR INC. LIMITED LICENSE TO MAKE COPIES FOR PERMITTING. | | | |
| Series | Title | Date | |
| SGD8100A | SLIDING GLASS DOOR - W/WO REINF. - (LMI) | 02/02/21 | |
| Desc. | Drawn By | | |
| 4 X 10 PANELS, 3-TRACK ELEVATION | J ROSOWSKI | | |
| Scale | Sheet | DWG No. | Rev. |
| NTS | 3 OF 22 | TDI-8100LM-1 | - |

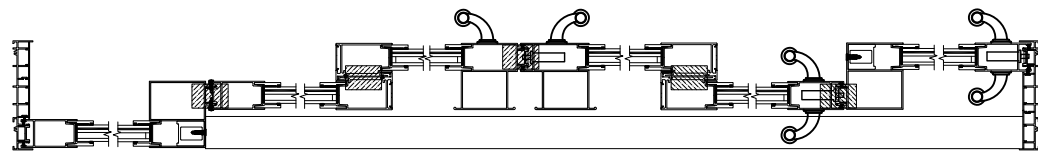
Anthony Lynn Miller
 2/5/21
 A. LYNN MILLER, P.E.
 P.E.# 106954



8100 SERIES 5'0 x 8'2 LMI SGD
TYPICAL ELEVATION EXTERIOR VIEW

(6) PANELS SHOWN, UNLIMITED NUMBER OF PANELS IN UNLIMITED CONFIGURATIONS IS APPLICABLE AS LONG AS INDIVIDUAL PANEL SIZE DOES NOT EXCEED MAXIMUM PANEL SIZE AND USE VERTICAL CONDITIONS AS SHOWN.

WEEP SLOT 1" x .1875" TYP. LOCATED AT ALL VERTICAL CENTER LINES

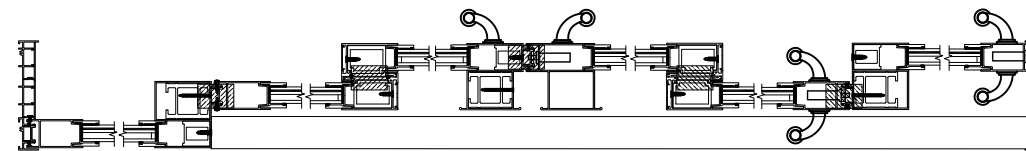


8100 SERIES 5'0 x 8'2 LMI NON-REINFORCED SGD
3 TRACK LAYOUT

NON-REINFORCED

| DESIGN PRESSURE RATING | IMPACT RATING |
|------------------------|----------------------|
| ±70PSF | LARGE MISSILE IMPACT |

REQUIRED SILL RISER: ITEM #35 (3")
 OPTIONAL SILL RISERS: ITEMS #36 (3 1/2")
 AND #37 (4 1/4")



8100 SERIES 5'0 x 8'2 LMI REINFORCED SGD
3 TRACK LAYOUT

REINFORCED

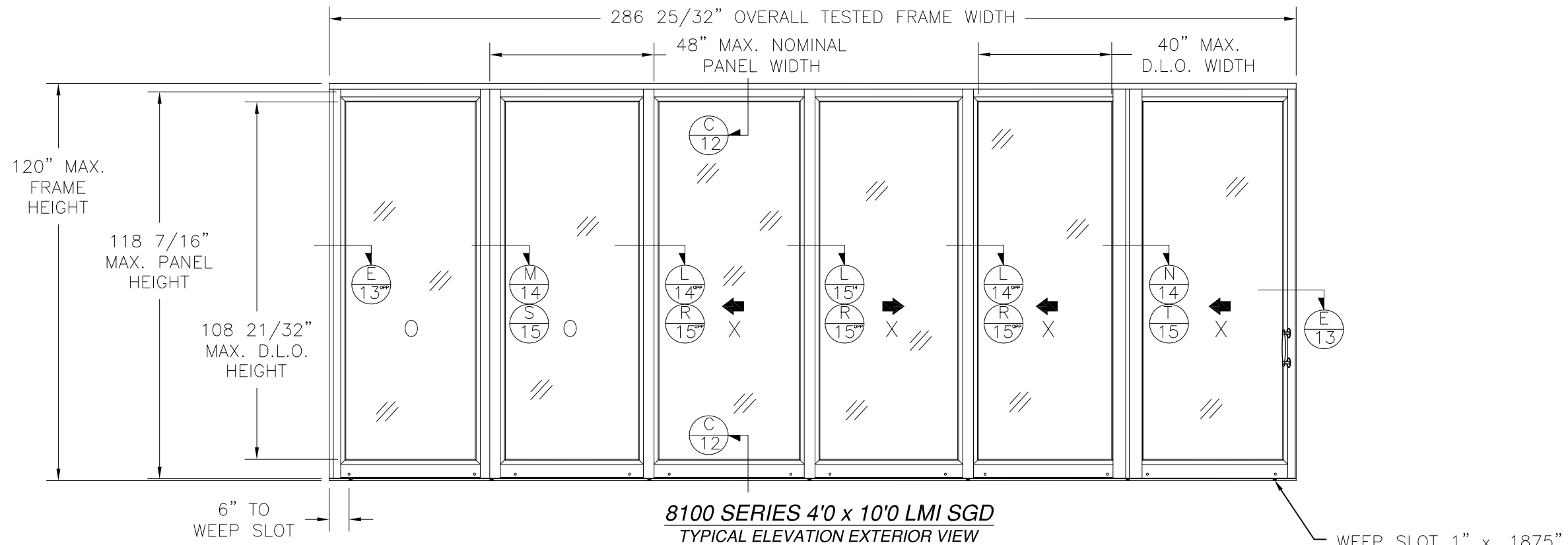
| DESIGN PRESSURE RATING | IMPACT RATING |
|------------------------|----------------------|
| +90/-110PSF | LARGE MISSILE IMPACT |

REQUIRED SILL RISER: ITEM #35 (3")
 OPTIONAL SILL RISERS: ITEMS #36 (3 1/2")
 AND #37 (4 1/4")

| | | | |
|---|--------------------------------------|---|--------------------------------|
| <p>WINDOOR INCORPORATED 104 TRIPLE DIAMOND BLVD. NORTH VENICE, FL 34275; (833) 554-5432</p> | | PREPARED BY A. LYNN MILLER 1070 TECHNOLOGY DRIVE N. VENICE, FL 34275 (941) 480-1600 REGISTRATION #29296 | |
| | | COPYRIGHT © 2021 WINDOOR INC. LIMITED LICENSE TO MAKE COPIES FOR PERMITTING. | |
| Title SLIDING GLASS DOOR - W/WO REINF. - (LMI) | Date 02/02/21 | Drawn By J ROSOWSKI | |
| Series Desc. 5 X 98" PANELS, 3-TRACK ELEVATION | Scale NTS | Sheet 4 OF 22 | DWG No. TDI-8100LM-1 |
| Rev. - | A. LYNN MILLER, P.E. P.E.# 106954 | | |

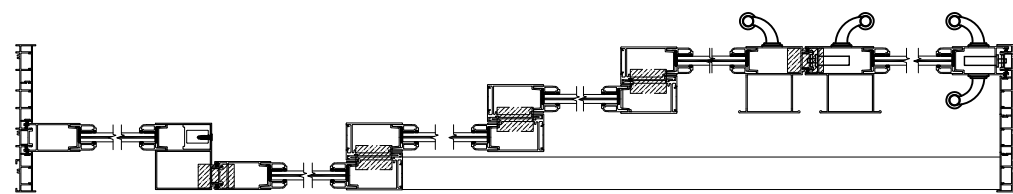
ANTHONY LYNN MILLER
 106954
 LICENSED PROFESSIONAL ENGINEER

A. Lynn Miller 2/5/21
 A. LYNN MILLER, P.E.
 P.E.# 106954



(6) PANELS SHOWN, UNLIMITED NUMBER OF PANELS IN UNLIMITED CONFIGURATIONS IS APPLICABLE AS LONG AS INDIVIDUAL PANEL SIZE DOES NOT EXCEED MAXIMUM PANEL SIZE AND USE VERTICAL CONDITIONS AS SHOWN.

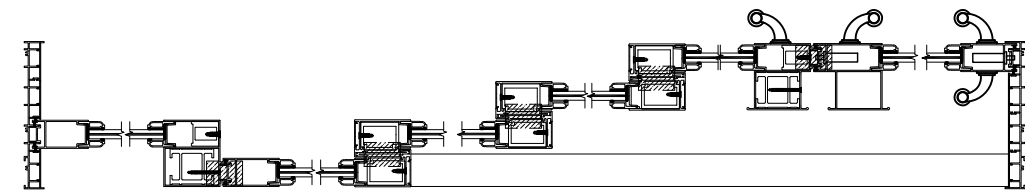
WEEP SLOT 1" x .1875" TYP. LOCATED AT ALL VERTICAL CENTER LINES



8100 SERIES 4'0 x 10'0 LMI NON-REINFORCED SGD
4 TRACK LAYOUT
NON-REINFORCED

| DESIGN PRESSURE RATING | IMPACT RATING |
|------------------------|----------------------|
| ±70PSF | LARGE MISSILE IMPACT |

REQUIRED SILL RISER: ITEM #35 (3")
OPTIONAL SILL RISERS: ITEMS #36 (3 1/2") AND #37 (4 1/4")



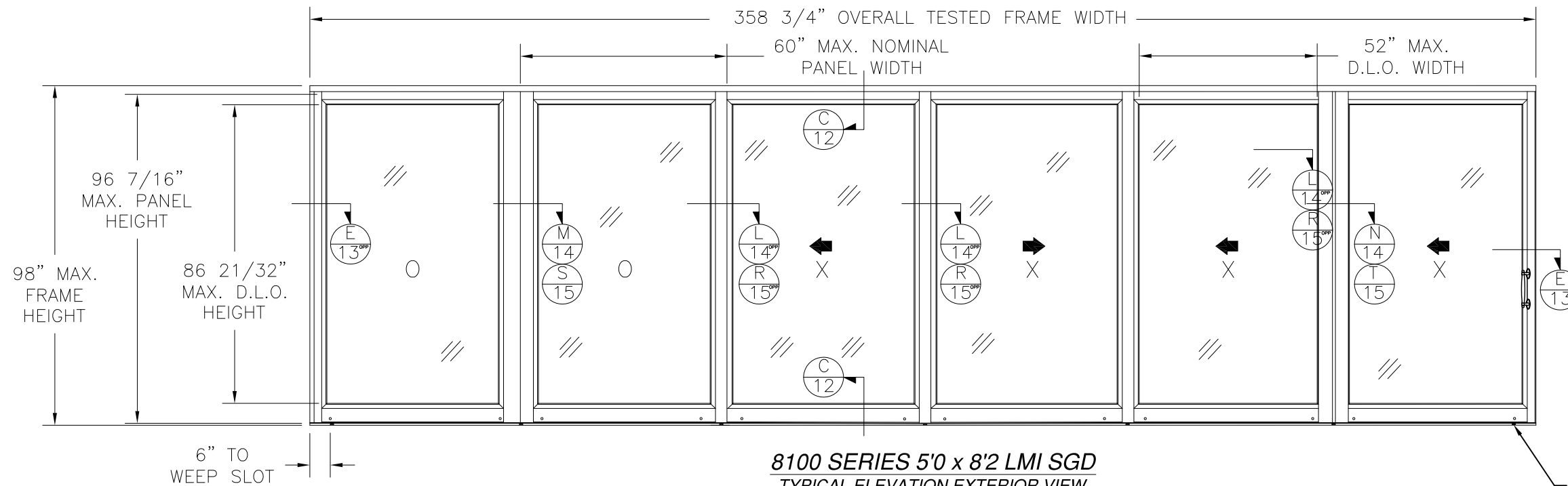
8100 SERIES 4'0 x 10'0 LMI REINFORCED SGD
4 TRACK LAYOUT

| REINFORCED | |
|------------------------|----------------------|
| DESIGN PRESSURE RATING | IMPACT RATING |
| +90/-110PSF | LARGE MISSILE IMPACT |

REQUIRED SILL RISER: ITEM #35 (3")
OPTIONAL SILL RISERS: ITEMS #36 (3 1/2") AND #37 (4 1/4")

| | | | |
|---|-------------------------------|---|--------------------------------|
| | | PREPARED BY A. LYNN MILLER 1070 TECHNOLOGY DRIVE N. VENICE, FL 34275 (941) 480-1600 REGISTRATION #29296 | |
| COPYRIGHT © 2021 WINDOOR INC. LIMITED LICENSE TO MAKE COPIES FOR PERMITTING. | | | |
| Title SLIDING GLASS DOOR - W/WO REINF. - (LMI) | Date 02/02/21 | | |
| Series Desc. 4 X 10 PANELS, 4-TRACK ELEVATION | Drawn By J ROSOWSKI | | |
| Series SGD8100A | Scale NTS | Sheet 5 OF 22 | DWG No. TDI-8100LM-1 |
| | | | Rev. - |

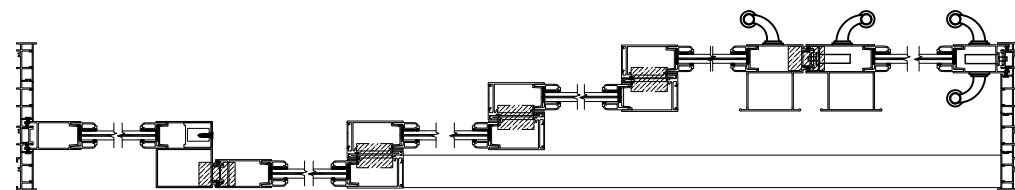
A. Lynn Miller 2/5/21
A. LYNN MILLER, P.E.
P.E.# 106954



8100 SERIES 5'0 x 8'2 LMI SGD
TYPICAL ELEVATION EXTERIOR VIEW

(6) PANELS SHOWN, UNLIMITED NUMBER OF PANELS IN UNLIMITED CONFIGURATIONS IS APPLICABLE AS LONG AS INDIVIDUAL PANEL SIZE DOES NOT EXCEED MAXIMUM PANEL SIZE AND USE VERTICAL CONDITIONS AS SHOWN.

WEEP SLOT 1" x .1875" TYP. LOCATED AT ALL VERTICAL CENTER LINES

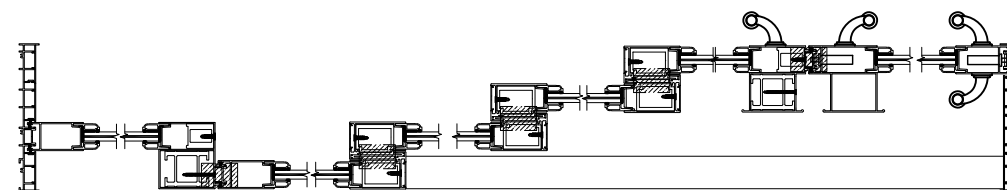


8100 SERIES 5'0 x 8'2 LMI NON-REINFORCED SGD
4 TRACK LAYOUT

NON-REINFORCED

| DESIGN PRESSURE RATING | IMPACT RATING |
|------------------------|----------------------|
| ±70PSF | LARGE MISSILE IMPACT |

REQUIRED SILL RISER: ITEM #35 (3")
 OPTIONAL SILL RISERS: ITEMS #36 (3 1/2")
 AND #37 (4 1/4")



8100 SERIES 5'0 x 8'2 LMI REINFORCED SGD
4 TRACK LAYOUT

REINFORCED

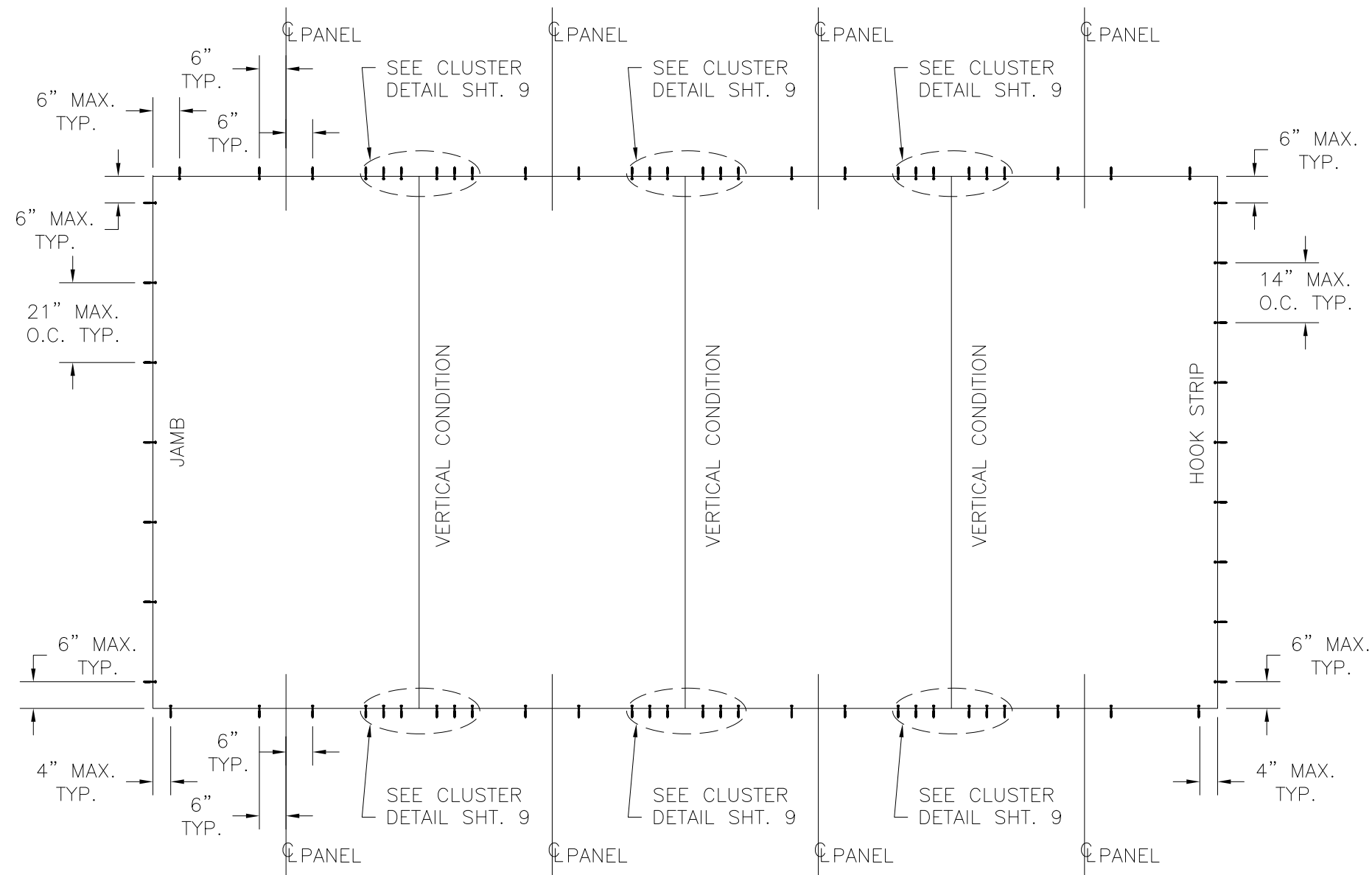
| DESIGN PRESSURE RATING | IMPACT RATING |
|------------------------|----------------------|
| +90/-110PSF | LARGE MISSILE IMPACT |

REQUIRED SILL RISER: ITEM #35 (3")
 OPTIONAL SILL RISERS: ITEMS #36 (3 1/2")
 AND #37 (4 1/4")

| | | | |
|---|--------------------------------------|---|--------------------------------|
| | | PREPARED BY A. LYNN MILLER 1070 TECHNOLOGY DRIVE N. VENICE, FL 34275 (941) 480-1600 REGISTRATION #29296 | |
| COPYRIGHT © 2021 WINDOOR INC. LIMITED LICENSE TO MAKE COPIES FOR PERMITTING. | | | |
| Title SLIDING GLASS DOOR - W/WO REINF. - (LMI) | Date 02/02/21 | Drawn By J ROSOWSKI | |
| Series Desc. 5 X 98" PANELS, 4-TRACK ELEVATION | Scale NTS | Sheet 6 OF 22 | DWG No. TDI-8100LM-1 |
| Rev. - | A. LYNN MILLER, P.E. P.E.# 106954 | | |



A. Lynn Miller 2/5/21
 A. LYNN MILLER, P.E.
 P.E.# 106954



4'0 x 10'0 ANCHORING LAYOUT NON-REINFORCED AND REINFORCED UNITS
 4PANEL UNIT SHOWN, APPLICABLE TO ALL CONFIGURATIONS

ANCHORING NOTES:

- 1) ALL FRAME SYSTEMS, 2 TRACK, 3 TRACK AND 4 TRACK, HAVE TWO ANCHORS AT EACH LOCATION IN HEAD, SILL AND JAMBS.
- 2) ALL FRAME SYSTEMS, 2 TRACK, 3 TRACK AND 4 TRACK, HAVE ONE ANCHOR AT EACH LOCATION IN HOOK STRIP.
- 3) FOR ANCHORING INTO MASONRY/CONCRETE THROUGH A PROPERLY SECURED 1X NON-STRUCTURAL WOOD BUCK USE 1/4" ITW TAPCON WITH SUFFICIENT LENGTH TO ACHIEVE A 1 1/4" MINIMUM EMBEDMENT INTO SUBSTRATE WITH 2 1/2" MINIMUM EDGE DISTANCE AND 2 3/8" MINIMUM SEPARATION. LOCATE ANCHORS AS SHOWN IN ELEVATIONS AND INSTALLATION DETAILS.
- 4) FOR ANCHORING INTO WOOD FRAMING, 2X BUCK OR 2X WOOD BACKED 20 GA. MINIMUM STEEL STUD USE #14 WOOD SCREW WITH SUFFICIENT LENGTH TO ACHIEVE A 1 3/8" MINIMUM EMBEDMENT INTO SUBSTRATE. LOCATE ANCHORS AS SHOWN IN ELEVATIONS AND INSTALLATION DETAILS.
- 5) SHIM AS REQUIRED AT EACH INSTALLATION ANCHOR WITH LOAD BEARING SHIM. SHIM WHERE SPACE OF 1/16" OR GREATER OCCURS. MAXIMUM ALLOWABLE LOAD BEARING SHIM TO BE 1/4".
- 6) ALL FASTENERS TO BE CORROSION RESISTANT.
- 7) INSTALLATION ANCHORS SHALL BE INSTALLED IN ACCORDANCE WITH ANCHOR MANUFACTURER'S INSTALLATION INSTRUCTIONS, AND ANCHORS SHALL NOT BE USED IN SUBSTRATES WITH STRENGTHS LESS THAN THE MINIMUM STRENGTH SPECIFIED BELOW:
 - A. WOOD - MINIMUM SPECIFIC GRAVITY OF G=0.42
 - B. CONCRETE - MINIMUM COMPRESSIVE STRENGTH OF 2,700 PSI.
 - C. MASONRY - STRENGTH CONFORMANCE TO ASTM C-90, GRADE N, TYPE 1 (OR GREATER).
 - D. METAL FRAMING - 20 GA (.040) MINIMUM THICKNESS WITH 2X WOOD BACKING.

WinDoor®
 INCORPORATED
 WINDOOR INCORPORATED
 104 TRIPLE DIAMOND BLVD.
 NORTH VENICE, FL 34275; (833) 554-5432

PREPARED BY A. LYNN MILLER
 1070 TECHNOLOGY DRIVE
 N. VENICE, FL 34275
 (941) 480-1600
 REGISTRATION #29296

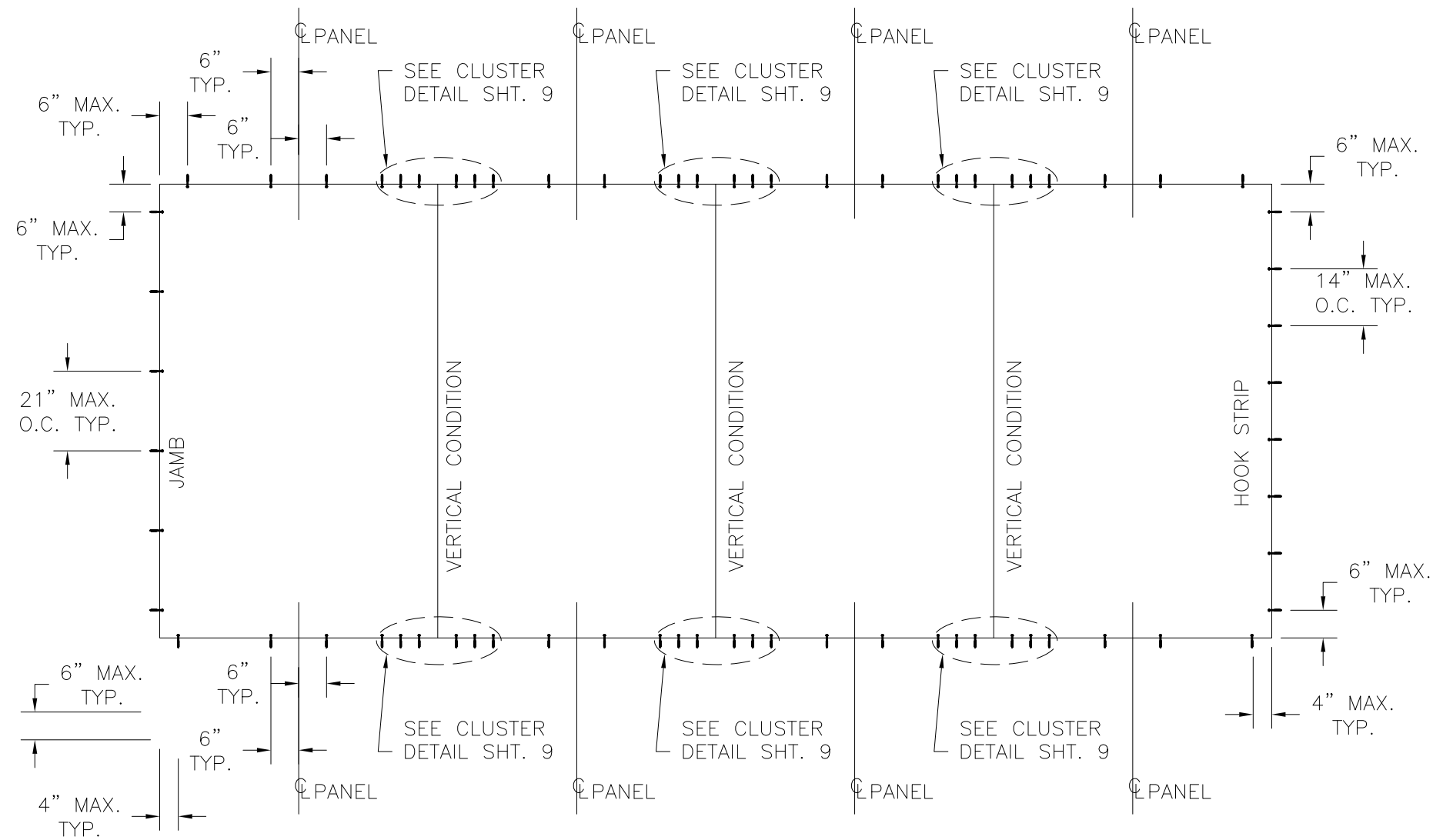


COPYRIGHT © 2021 WINDOOR INC.
 LIMITED LICENSE TO MAKE COPIES FOR PERMITTING.

| | | | |
|----------|-------------------------|--|----------|
| Series | Desc. | Title | Date |
| SGD8100A | 4 X 10 ANCHORING LAYOUT | SLIDING GLASS DOOR - W/WO REINF. - (LMI) | 02/02/21 |
| Scale | Sheet | DWG No. | Rev. |
| NTS | 7 OF 22 | TDI-8100LM-1 | - |

Drawn By: J ROSOWSKI

A. Lynn Miller 2/5/21
 A. LYNN MILLER, P.E.
 P.E.# 106954

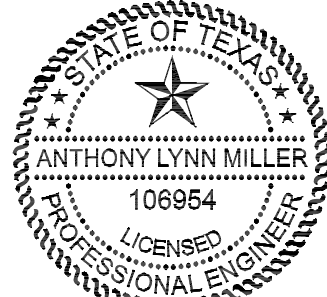


5'0 x 8'2 ANCHORING LAYOUT NON-REINFORCED AND REINFORCED UNITS
 4PANEL UNIT SHOWN, APPLICABLE TO ALL CONFIGURATIONS

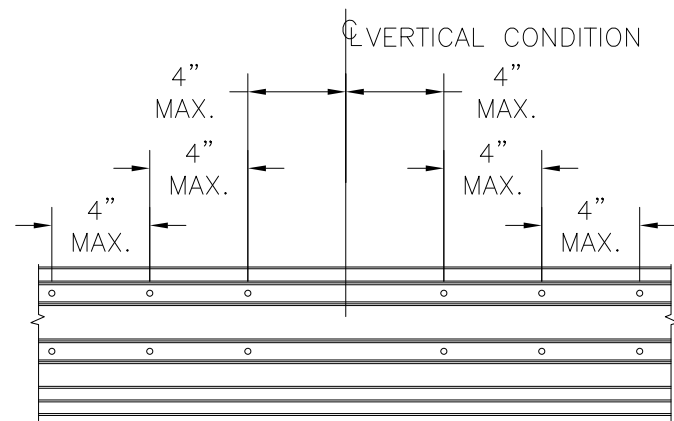
ANCHORING NOTES:

- 1) ALL FRAME SYSTEMS, 2 TRACK, 3 TRACK AND 4 TRACK, HAVE TWO ANCHORS AT EACH LOCATION IN HEAD, SILL AND JAMBS.
- 2) ALL FRAME SYSTEMS, 2 TRACK, 3 TRACK AND 4 TRACK, HAVE ONE ANCHOR AT EACH LOCATION IN HOOK STRIP.
- 3) FOR ANCHORING INTO MASONRY/CONCRETE THROUGH A PROPERLY SECURED 1X NON-STRUCTURAL WOOD BUCK USE 1/4" ITW TAPCON WITH SUFFICIENT LENGTH TO ACHIEVE A 1 1/4" MINIMUM EMBEDMENT INTO SUBSTRATE WITH 2 1/2" MINIMUM EDGE DISTANCE AND 2 3/8" MINIMUM SEPARATION. LOCATE ANCHORS AS SHOWN IN ELEVATIONS AND INSTALLATION DETAILS.
- 4) FOR ANCHORING INTO WOOD FRAMING, 2X BUCK OR 2X WOOD BACKED 20 GA. MINIMUM STEEL STUD USE #14 WOOD SCREW WITH SUFFICIENT LENGTH TO ACHIEVE A 1 3/8" MINIMUM EMBEDMENT INTO SUBSTRATE. LOCATE ANCHORS AS SHOWN IN ELEVATIONS AND INSTALLATION DETAILS.
- 5) SHIM AS REQUIRED AT EACH INSTALLATION ANCHOR WITH LOAD BEARING SHIM. SHIM WHERE SPACE OF 1/16" OR GREATER OCCURS. MAXIMUM ALLOWABLE LOAD BEARING SHIM TO BE 1/4".
- 6) ALL FASTENERS TO BE CORROSION RESISTANT.
- 7) INSTALLATION ANCHORS SHALL BE INSTALLED IN ACCORDANCE WITH ANCHOR MANUFACTURER'S INSTALLATION INSTRUCTIONS, AND ANCHORS SHALL NOT BE USED IN SUBSTRATES WITH STRENGTHS LESS THAN THE MINIMUM STRENGTH SPECIFIED BELOW:
 - A. WOOD - MINIMUM SPECIFIC GRAVITY OF G=0.42
 - B. CONCRETE - MINIMUM COMPRESSIVE STRENGTH OF 2,700 PSI.
 - C. MASONRY - STRENGTH CONFORMANCE TO ASTM C-90, GRADE N, TYPE 1 (OR GREATER).
 - D. METAL FRAMING - 20 GA (.040) MINIMUM THICKNESS WITH 2X WOOD BACKING.

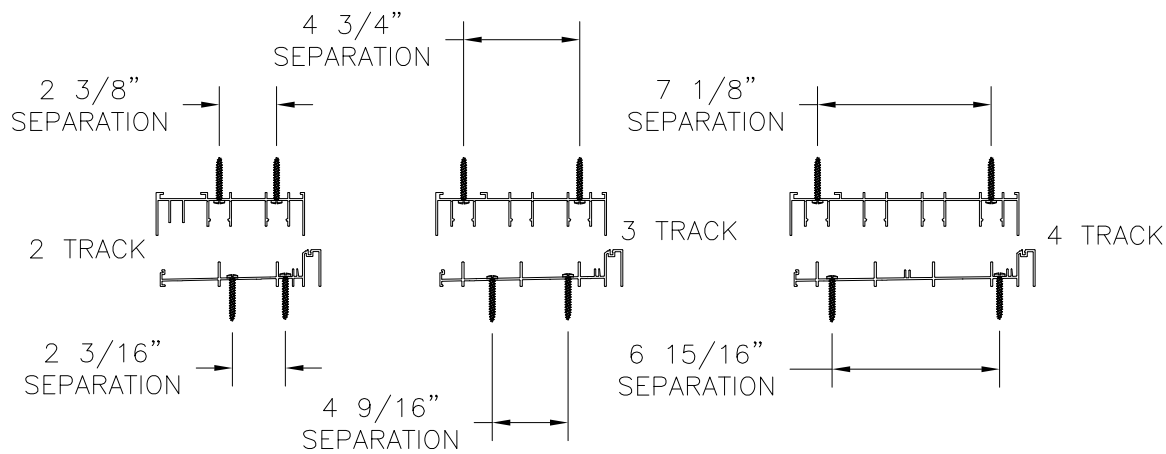
| | | | |
|--|--|--|-----------------------------|
| WinDoor [®] INCORPORATED | | PREPARED BY A. LYNN MILLER 1070 TECHNOLOGY DRIVE N. VENICE, FL 34275 (941) 480-1600 | |
| WINDOOR INCORPORATED 104 TRIPLE DIAMOND BLVD. NORTH VENICE, FL 34275; (833) 554-5432 | | REGISTRATION #29296 | |
| COPYRIGHT © 2021 WINDOOR INC. LIMITED LICENSE TO MAKE COPIES FOR PERMITTING. | | | |
| Title | SLIDING GLASS DOOR - W/WO REINF. - (LMI) | | Date 02/02/21 |
| Desc. | 5 X 98" ANCHORING LAYOUT | | Drawn By J ROSOWSKI |
| Series SGD8100A | Scale NTS | Sheet 8 OF 22 | DWG No. TDI-8100LM-1 |
| | | Rev. - | |



A. Lynn Miller 2/5/21
 A. LYNN MILLER, P.E.
 P.E.# 106954



CLUSTER DETAIL
2-TRACK SYSTEM

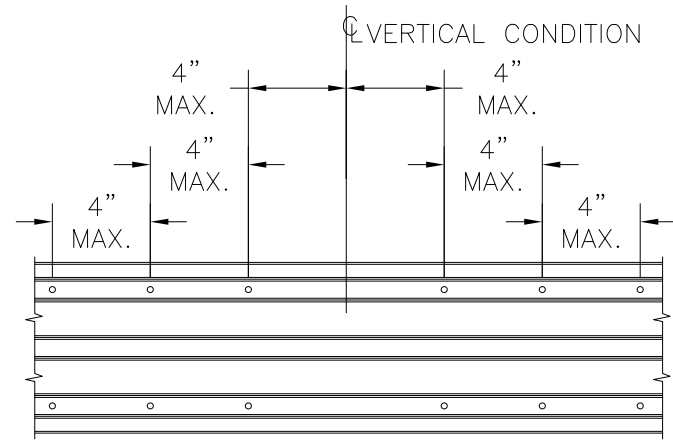


HEAD & SILL ANCHOR LOCATIONS
SEE DETAILS IN SHEETS 16, 17 AND 18

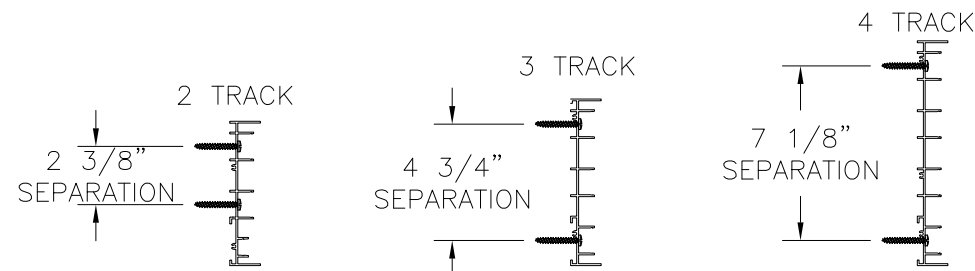
INTERIOR POCKET EXTERIOR POCKET



HOOKSTRIP ANCHOR LOCATIONS
SEE DETAILS IN SHEET 19



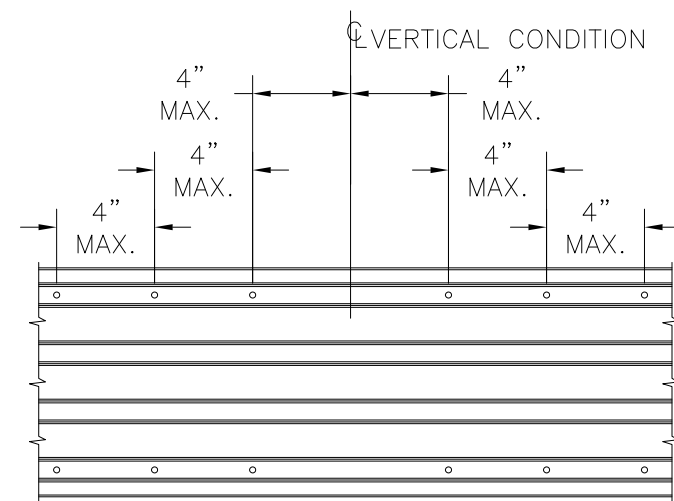
CLUSTER DETAIL
3-TRACK SYSTEM



JAMB ANCHOR LOCATIONS
SEE DETAILS IN SHEETS 16, 17 AND 18

PANEL CONSTRUCTION:
ALL PANELS ARE CONSTRUCTED FROM EXTRUDED 6063-T6 ALUMINUM. VERTICAL STILES ARE NOTCHED TO RECEIVE HORIZONTAL RAILS. EACH RAIL IS SECURED TO STILES WITH (3) #10 x 1 1/4" SQ. DRIVE SCREW AT EACH END, ITEM #47. ALL PANELS HAVE AN INTERIOR AND EXTERIOR APPLIED GLAZING STOP.

FRAME CONSTRUCTION:
EACH FRAME CORNER IS NOTCHED AND BUTTED. HEAD AND SILL ARE SECURED TO JAMBS WITH #7 x 1" TYPE F SCREW, ITEM #48, (2) AT EACH CORNER ON 2 TRACK AND 3 TRACK FRAME AND (3) AT EACH CORNER ON 4 TRACK FRAME.



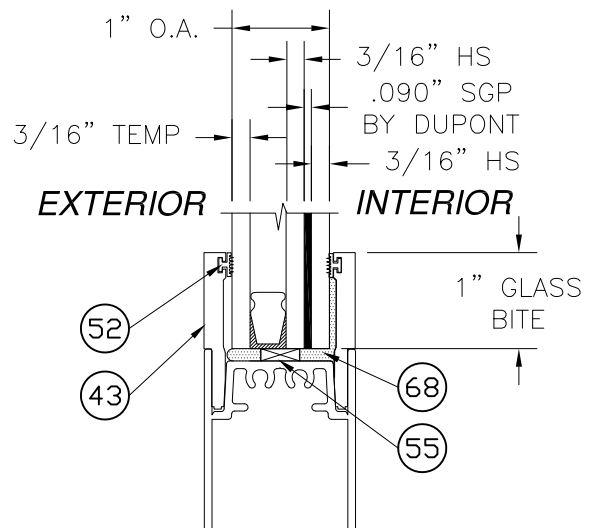
CLUSTER DETAIL
4-TRACK SYSTEM

| | | | | |
|--|--|--|----------|----------------------|
| | | PREPARED BY A. LYNN MILLER 1070 TECHNOLOGY DRIVE N. VENICE, FL 34275 (941) 480-1600 | | |
| WINDOOR INCORPORATED 104 TRIPLE DIAMOND BLVD. NORTH VENICE, FL 34275; (833) 554-5432 | | REGISTRATION #29296 | | |
| COPYRIGHT © 2021 WINDOOR INC. LIMITED LICENSE TO MAKE COPIES FOR PERMITTING. | | | | |
| Series | Title | Date | | |
| SGD8100A | SLIDING GLASS DOOR - W/WO REINF. - (LMI) | 02/02/21 | | |
| Desc. | ANCHORING DETAILS & NOTES | | Drawn By | J ROSOWSKI |
| Scale | NTS | Sheet | 9 OF 22 | DWG No. TDI-8100LM-1 |
| Rev. | - | | | |

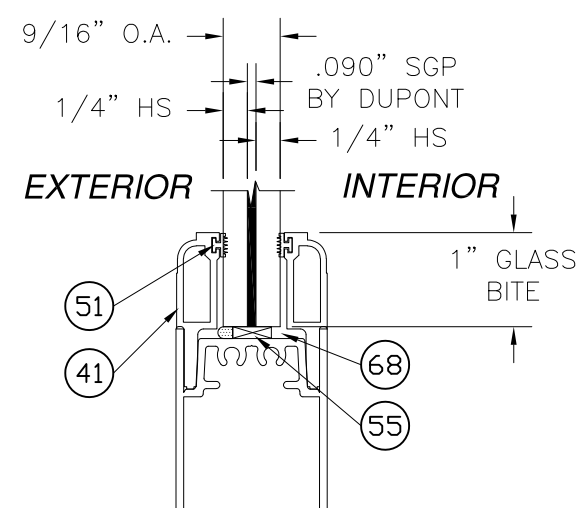
A. Lynn Miller 2/5/21
 A. LYNN MILLER, P.E.
 P.E.# 106954

PARTS LIST

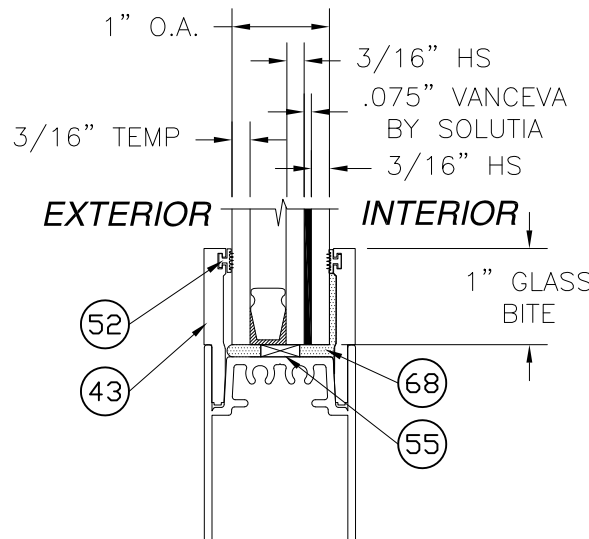
| NO. | PART NUMBER | DESCRIPTION | MANUFACTURER | MATERIAL |
|-----|-------------|-------------------------------|--------------|------------------|
| 1 | FS-04641 | 2 TRACK WS FRAME HEAD | KEYMARK | ALUMINUM 6063-T6 |
| 2 | FS-04788 | 2 TRACK WS FRAME JAMB | KEYMARK | ALUMINUM 6063-T6 |
| 3 | S-44119 | 2 TRACK NSWS SILL PAN | KEYMARK | ALUMINUM 6063-T6 |
| 4 | S-44121 | 2 TRACK WS SILL INSERT | KEYMARK | ALUMINUM 6063-T6 |
| 5 | S-44116 | 2 TRACK SILL PAN | KEYMARK | ALUMINUM 6063-T6 |
| 6 | S-44122 | 2 TRACK SILL INSERT | KEYMARK | ALUMINUM 6063-T6 |
| 7 | FS-02180 | 3 TRACK FRAME HEAD | KEYMARK | ALUMINUM 6063-T6 |
| 8 | FS-02181 | 3 TRACK FRAME JAMB | KEYMARK | ALUMINUM 6063-T6 |
| 9 | S-44123 | 3 TRACK SILL PAN | KEYMARK | ALUMINUM 6063-T6 |
| 10 | S-44117 | 3 TRACK SILL INSERT | KEYMARK | ALUMINUM 6063-T6 |
| 11 | FS-02071 | 4 TRACK FRAME HEAD | KEYMARK | ALUMINUM 6063-T6 |
| 12 | FS-02070 | 4 TRACK FRAME JAMB | KEYMARK | ALUMINUM 6063-T6 |
| 13 | S-44118 | 4 TRACK SILL PAN | KEYMARK | ALUMINUM 6063-T6 |
| 14 | S-22124 | 4 TRACK SILL INSERT | KEYMARK | ALUMINUM 6063-T6 |
| 15 | FS-01882 | FRAME HEAD INSERT | KEYMARK | ALUMINUM 6063-T6 |
| 16 | FS-01883 | FRAME JAMB INSERT | KEYMARK | ALUMINUM 6063-T6 |
| 17 | FH-01869 | TOP RAIL | KEYMARK | ALUMINUM 6063-T6 |
| 18 | FH-04723 | BOTTOM RAIL | KEYMARK | ALUMINUM 6063-T6 |
| 19 | FS-04766 | TALL BOTTOM RAIL | KEYMARK | ALUMINUM 6063-T6 |
| 20 | NPG | PANEL GUIDE | | NYLON |
| 21 | FH-01871 | LOCK STILE | KEYMARK | ALUMINUM 6063-T6 |
| 22 | FH-05044 | INTERLOCK STILE | KEYMARK | ALUMINUM 6063-T6 |
| 23 | FH-04767 | FEMALE BUTT STILE EXT. OFFSET | KEYMARK | ALUMINUM 6063-T6 |
| 24 | FH-04750 | MALE BUTT STILE EXT. OFFSET | KEYMARK | ALUMINUM 6063-T6 |
| 25 | FH-04826 | FEMALE BUTT STILE INT. OFFSET | KEYMARK | ALUMINUM 6063-T6 |
| 26 | P7569AM | DUST PAD 1.244' x .5' x 2.34' | | |
| 27 | FS-04747 | BUMPER JAMB INSERT | KEYMARK | ALUMINUM 6063-T6 |
| 28 | FS-04754 | PLAIN STILE INTERLOCK | KEYMARK | ALUMINUM 6063-T6 |
| 29 | FS-04755 | PLAIN STILE INTERLOCK COVER | KEYMARK | ALUMINUM 6063-T6 |
| 30 | FS-05382 | INTERLOCK SNAP COVER | KEYMARK | ALUMINUM 6063-T6 |
| 31 | FS-02726 | STILE JAMB INSERT | KEYMARK | ALUMINUM 6063-T6 |
| 32 | FS-02726 | PANEL STILE JAMB INSERT | KEYMARK | ALUMINUM 6063-T6 |
| 33 | | NOT USED | | |
| 34 | | NOT USED | | |
| 35 | FH-03653 | 3' SILL RISER | KEYMARK | ALUMINUM 6063-T6 |
| 36 | FH-03654 | 3 1/2' SILL RISER | KEYMARK | ALUMINUM 6063-T6 |
| 37 | FH-03655 | 4 1/4' SILL RISER | KEYMARK | ALUMINUM 6063-T6 |
| 38 | FS-02173 | HOOK STRIP | KEYMARK | ALUMINUM 6063-T6 |
| 39 | FS-04476 | HOOK STRIP WALL COVER | KEYMARK | ALUMINUM 6063-T6 |
| 40 | FS-04477 | HOOK STRIP WALL MOUNT | KEYMARK | ALUMINUM 6063-T6 |
| 41 | FH-01877 | 9/16' HORIZONTAL GLASS STOP | KEYMARK | ALUMINUM 6063-T6 |
| 42 | FH-01878 | 9/16' VERTICAL GLASS STOP | KEYMARK | ALUMINUM 6063-T6 |



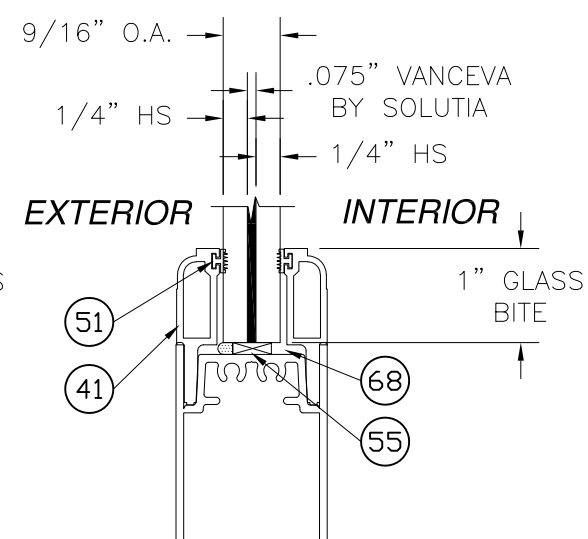
GLAZING TYPE A
LARGE MISSILE IMPACT
REINFORCED UNITS



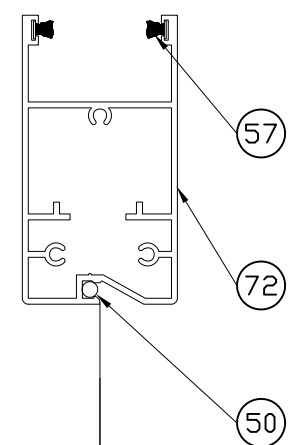
GLAZING TYPE C
LARGE MISSILE IMPACT
REINFORCED UNITS



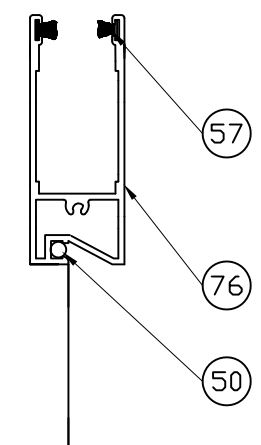
GLAZING TYPE B
LARGE MISSILE IMPACT
REINFORCED UNITS



GLAZING TYPE D
LARGE MISSILE IMPACT
REINFORCED UNITS



MT SCREEN
VERTICAL CROSS SECTION
TO BE USED WITH 2TRACK,
2TRACK RETRO, 3TRACK
AND 4TRACK FRAME SYSTEMS



BOX SCREEN
VERTICAL CROSS SECTION
TO BE USED WITH 2TRACK WS
AND 2TRACK RETRO WS
FRAME SYSTEMS

PARTS LIST CONTINUED
ON SHEET 11

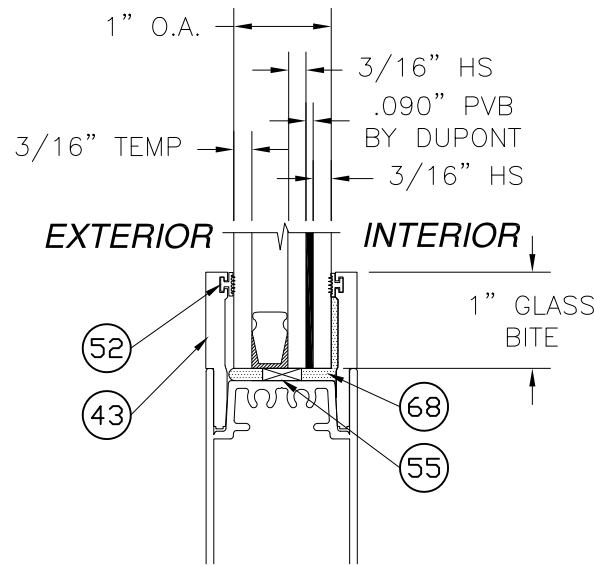
| | | | | |
|--|------------------|--|-------------------------|-----------|
| | | PREPARED BY A. LYNN MILLER 1070 TECHNOLOGY DRIVE N. VENICE, FL 34275 (941) 480-1600 | | |
| WINDOOR INCORPORATED 104 TRIPLE DIAMOND BLVD. NORTH VENICE, FL 34275; (833) 554-5432 | | REGISTRATION #29296 | | |
| COPYRIGHT © 2021 WINDOOR INC. LIMITED LICENSE TO MAKE COPIES FOR PERMITTING. | | | | |
| Title SLIDING GLASS DOOR - W/WO REINF. - (LMI) | Date 02/02/21 | | | |
| Series Desc. BOM & GLAZ. DETAILS (REINF.) | | Drawn By J ROSOWSKI | | |
| Series SGD8100A | Scale NTS | Sheet 10 OF 22 | DWG No. TDI-8100LM-1 | Rev. - |

A. Lynn Miller 2/5/21
 A. LYNN MILLER, P.E.
 P.E.# 106954

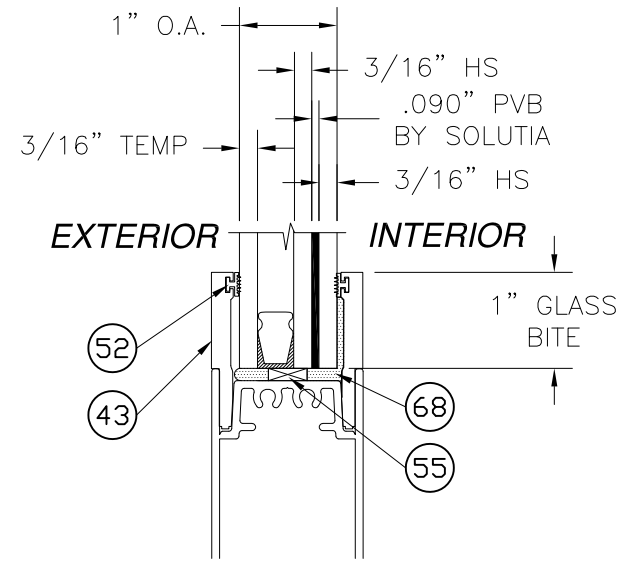
PARTS LIST

| NO. | PART NUMBER | DESCRIPTION | MANUFACTURER | MATERIAL |
|-----|--------------|-----------------------------------|--------------|------------------|
| 43 | FS-01879 | 1" HORIZONTAL GLASS STOP | KEYMARK | ALUMINUM 6063-T6 |
| 44 | FS-01880 | 1" VERTICAL GLASS STOP | KEYMARK | ALUMINUM 6063-T6 |
| 45 | FH-02642 | 6000 BUTT STILE REINFORCING BAR | KEYMARK | ALUMINUM 6063-T6 |
| 46 | FH-05045 | INTERLOCK REINFORCING BAR | KEYMARK | ALUMINUM 6063-T6 |
| 47 | FH-03916 | FEMALE BUTT STILE REINFORCING BAR | KEYMARK | ALUMINUM 6063-T6 |
| 48 | FS-02210 | FRAME HEAD COVER | KEYMARK | ALUMINUM 6063-T6 |
| 49 | FS-02208 | SILL COVER | KEYMARK | ALUMINUM 6063-T6 |
| 50 | | SCREEN SPLINE | | |
| 51 | TP983 | 9/16" GLAZING VINYL | | VINYL |
| 52 | TP1051 | 1" GLAZING VINYL | | VINYL |
| 53 | #1988-9000 | TANDEM ROLLER | | |
| 54 | 2468 | DUAL POINT MORTISE LOCK & KEEPER | | |
| 55 | TP990 | GLASS SETTING BLOCK | | |
| 56 | TP876 | INTERLOCK BUMPER | | RUBBER |
| 57 | W333517K0000 | FINSEAL .187 x .350 | | |
| 58 | W332217K0000 | FINSEAL .187 x .240 | | |
| 59 | W231417K0000 | FINSEAL .187 x .140 | | |
| 60 | 131017 | #8 x 1/2" PH TEK SCREW | | |
| 61 | S-44115 | 2 TRACK NS INSERT | | |
| 62 | 131018 | #8 x 3/8" PH TYPE B SS | | 18-8 SS |
| 63 | 131004 | #10 x 1 1/4" TYPE F SS | | |
| 64 | 131020 | #7 x 5/8" PH TYPE A SS | | 410 SS |
| 65 | 131011 | #8 x 2" FH TEK SCREW | | 410 SS |
| 66 | 131009 | #10 x 3/4" FH TEK SCREW | | 410 SS |
| 67 | LCS068-N5 | SNAP IN SILL GATE | | PLASTIC |
| 68 | SIKAFAST 552 | GLAZING COMPOUND | SIKA | URETHANE |
| 69 | S-44114 | 2 TRACK RETRO SILL PAN | KEYMARK | ALUMINUM 6063-T6 |
| 70 | S-44120 | 2 TRACK NS/WS RETRO SILL PAN | KEYMARK | ALUMINUM 6063-T6 |
| 71 | | LMI GLAZING SEE SHEETS 10 AND 11 | | |
| 72 | FH-02727 | MT SCREEN TOP/BOTTOM RAIL | KEYMARK | ALUMINUM 6063-T6 |
| 73 | FH-02728 | MT SCREEN STILE | KEYMARK | ALUMINUM 6063-T6 |
| 74 | FH-02729 | MT SCREEN STILE W/SEAL | KEYMARK | ALUMINUM 6063-T6 |
| 75 | FS-02730 | MT SCREEN ASTRAGAL | KEYMARK | ALUMINUM 6063-T6 |
| 76 | FH-02300 | BOX SCREEN TOP/BOTTOM RAIL | KEYMARK | ALUMINUM 6063-T6 |
| 77 | FH-02395 | BOX SCREEN STILE | KEYMARK | ALUMINUM 6063-T6 |
| 78 | FS-02209 | BOX SCREEN SWEEP | KEYMARK | ALUMINUM 6063-T6 |
| 79 | FS-02650 | BOX SCREEN ASTRAGAL | KEYMARK | ALUMINUM 6063-T6 |
| 80 | 7500 A04 | SIGNATURE HANDLE SET | | |
| 81 | FS-02068 | 2 TRACK FRAME HEAD | KEYMARK | ALUMINUM 6063-T6 |
| 82 | FS-02067 | 2 TRACK FRAME JAMB | KEYMARK | ALUMINUM 6063-T6 |
| 83 | | #8 x 3/4" PH TEK SCREW | | |
| 84 | | #10 x 3/4" PH TEK SCREW | | |

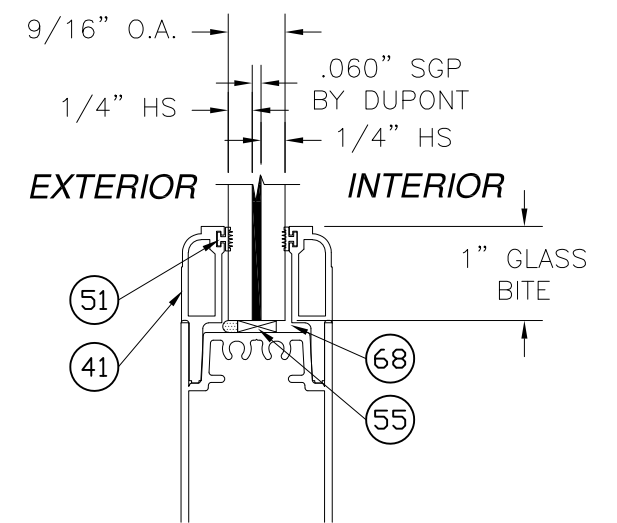
PARTS LIST CONTINUED FROM SHEET 10



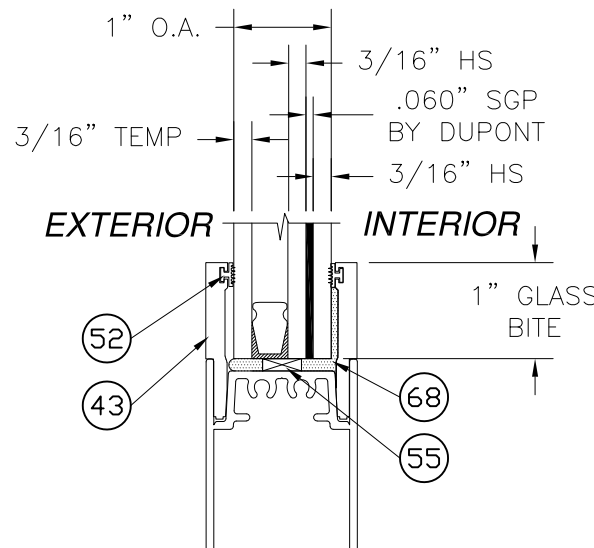
GLAZING TYPE E
LARGE MISSILE IMPACT
NON-REINFORCED UNITS



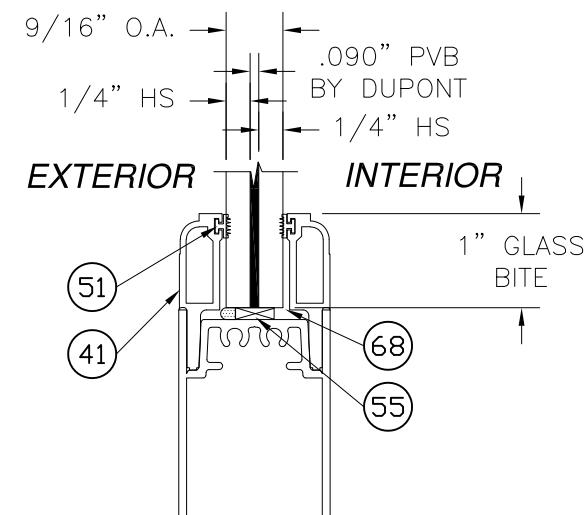
GLAZING TYPE G
LARGE MISSILE IMPACT
NON-REINFORCED UNITS



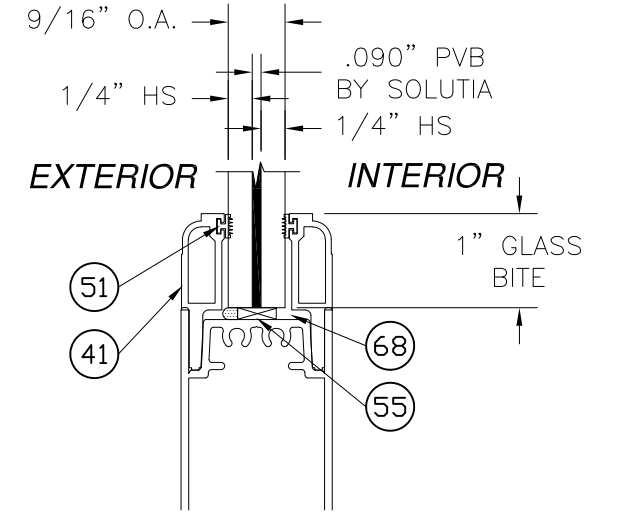
GLAZING TYPE I
LARGE MISSILE IMPACT
NON-REINFORCED UNITS



GLAZING TYPE F
LARGE MISSILE IMPACT
NON-REINFORCED UNITS



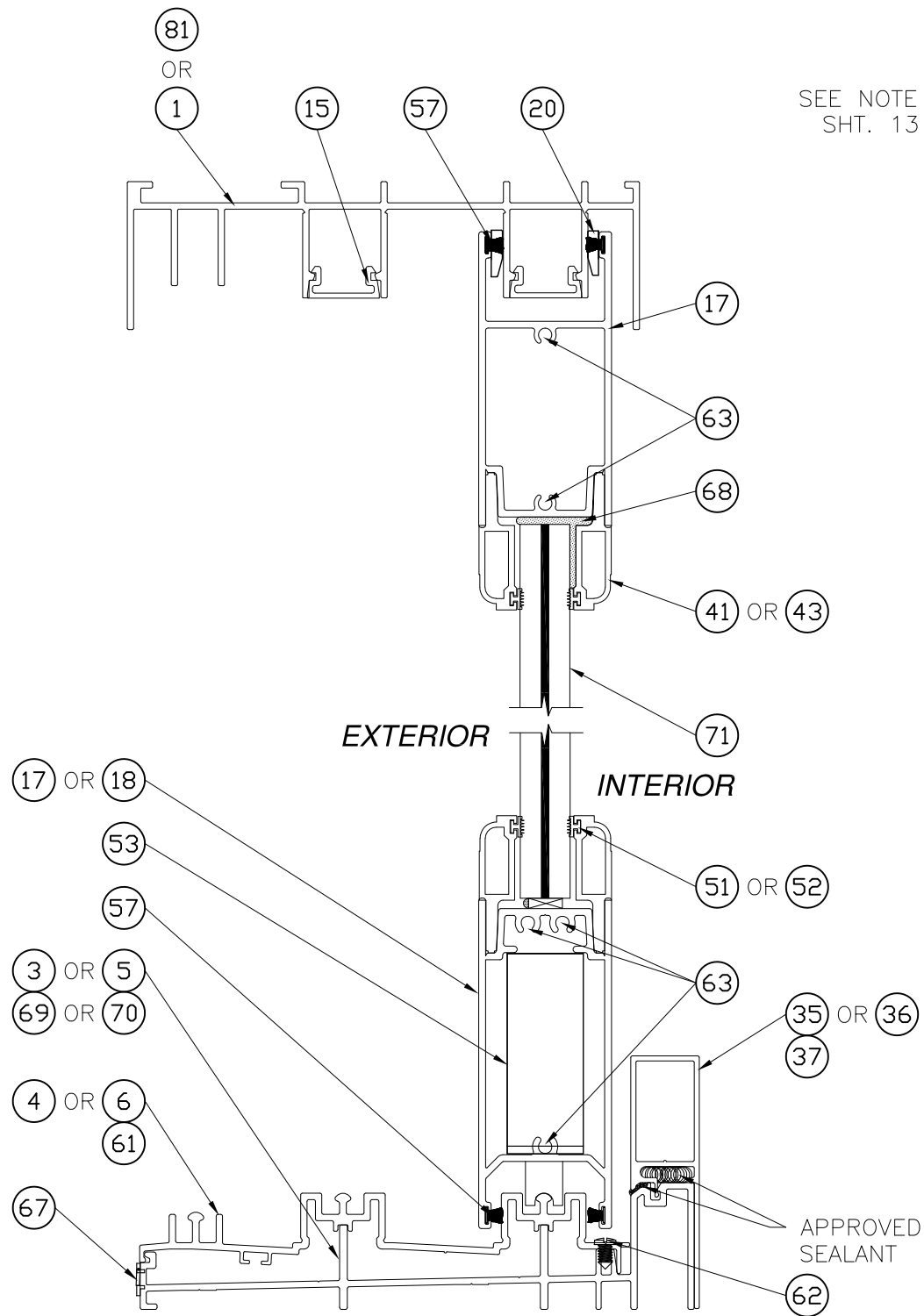
GLAZING TYPE H
LARGE MISSILE IMPACT
NON-REINFORCED UNITS



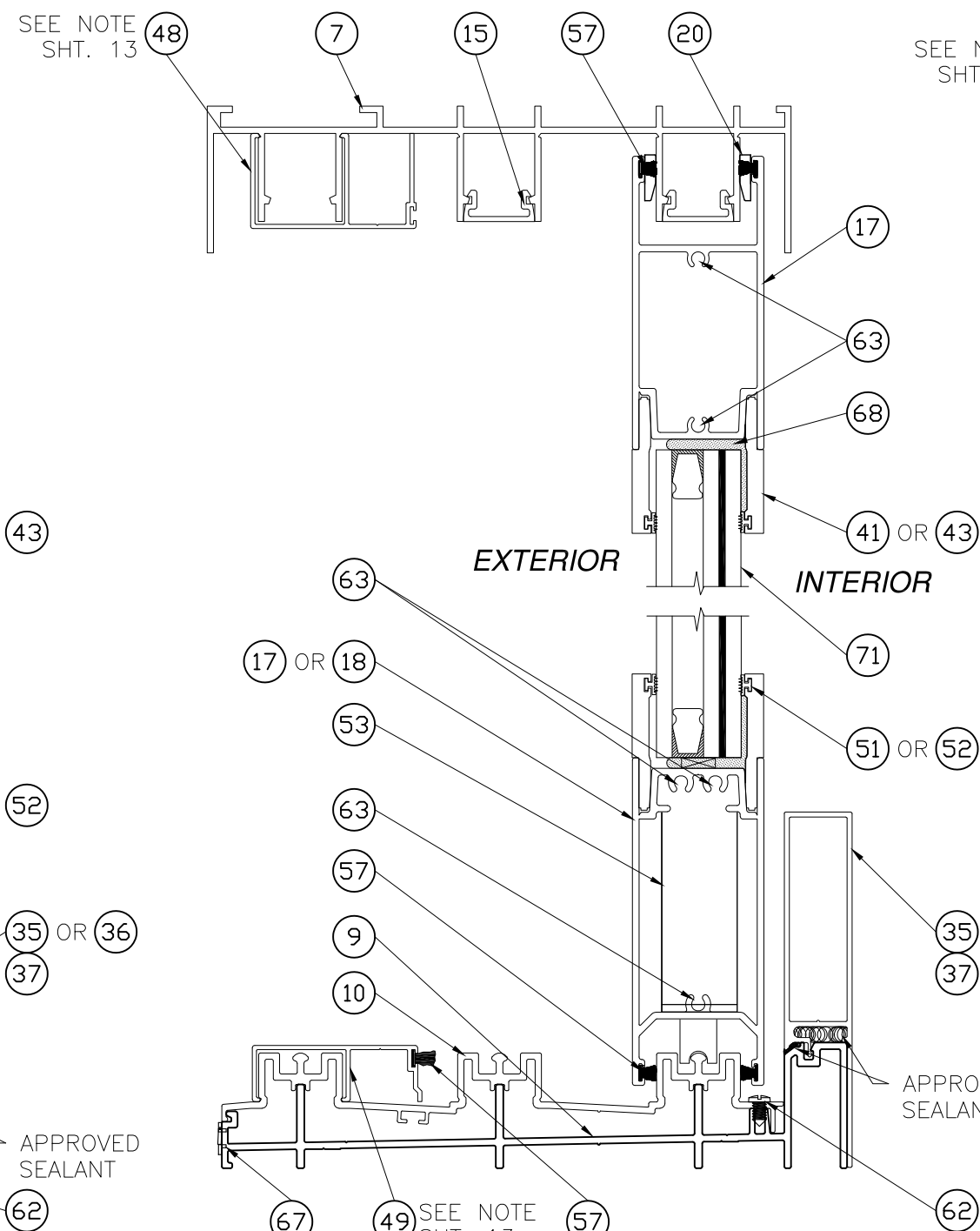
GLAZING TYPE J
LARGE MISSILE IMPACT
NON-REINFORCED UNITS

| | | | | |
|--|----------------------------------|--|----------|------------|
| | | PREPARED BY A. LYNN MILLER 1070 TECHNOLOGY DRIVE N. VENICE, FL 34275 (941) 480-1600 | | |
| WINDOOR INCORPORATED 104 TRIPLE DIAMOND BLVD. NORTH VENICE, FL 34275; (833) 554-5432 | | REGISTRATION #29296 | | |
| COPYRIGHT © 2021 WINDOOR INC. LIMITED LICENSE TO MAKE COPIES FOR PERMITTING. | | | | |
| Series | Desc. | Title | Date | Drawn By |
| SGD8100A | BOM & GLAZ. DETAILS (NON-REINF.) | SLIDING GLASS DOOR - W/WO REINF. - (LMI) | 02/02/21 | J ROSOWSKI |
| Scale | Sheet | DWG No. | Rev. | |
| NTS | 11 OF 22 | TDI-8100LM-1 | - | |

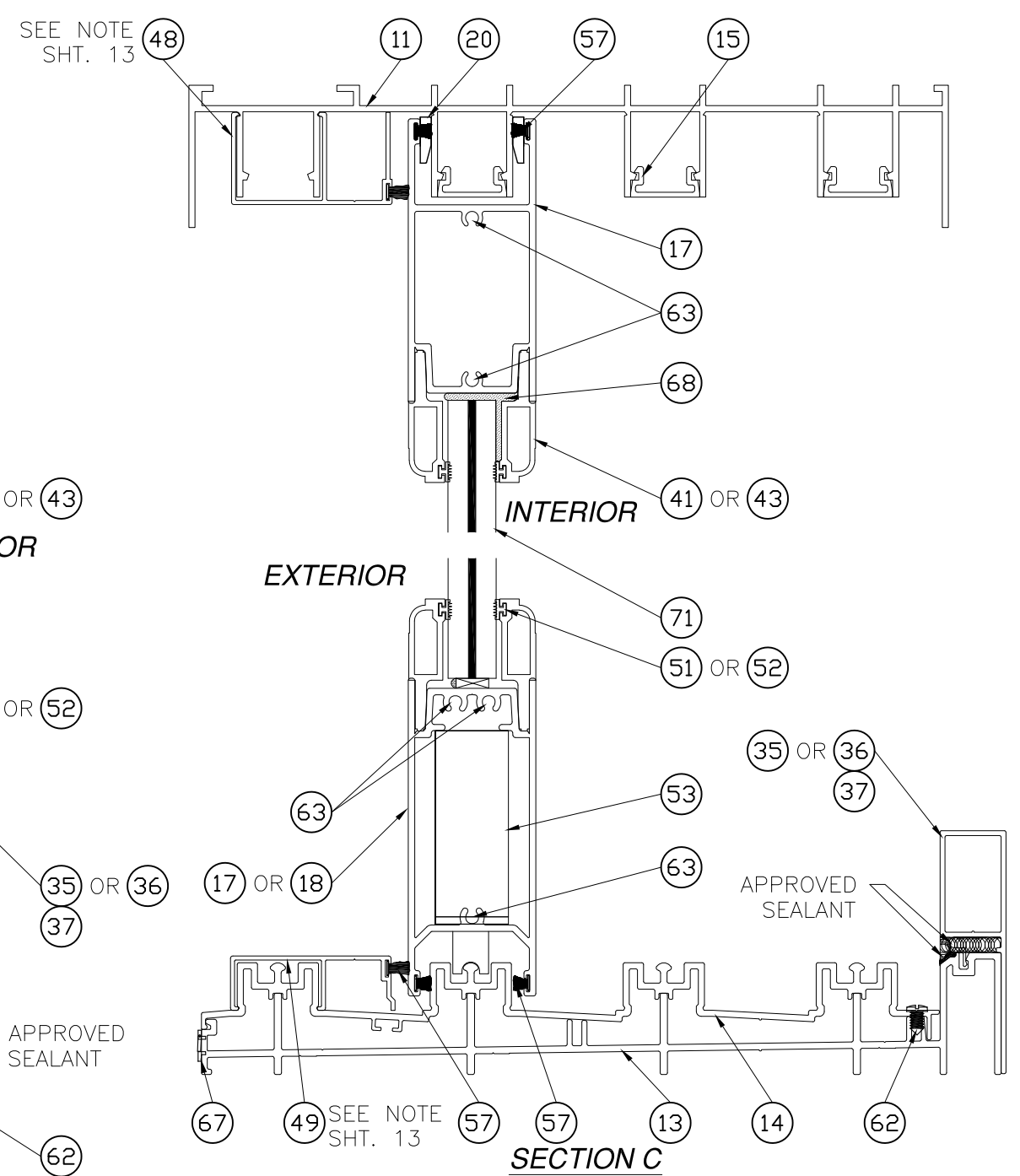
A. Lynn Miller 2/5/21
 A. LYNN MILLER, P.E.
 P.E.# 106954



SECTION A
2 TRACK FRAME SYSTEM WITH 3" SILL RISER SHOWN, ALL SILL RISERS MAYBE USED



SECTION B
3 TRACK FRAME SYSTEM WITH 4 1/4" SILL RISER SHOWN, ALL SILL RISERS MAYBE USED

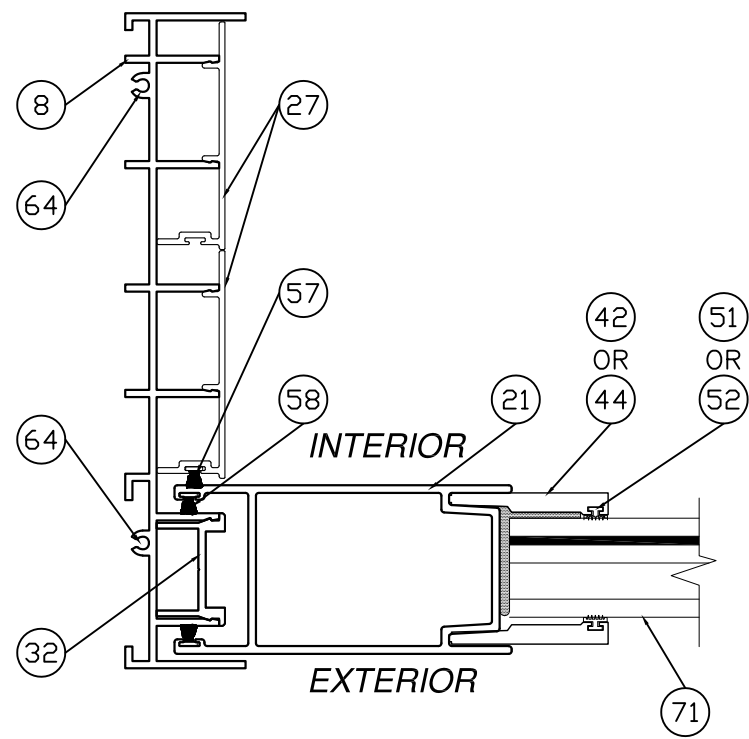


SECTION C
4 TRACK FRAME SYSTEM WITH 3" SILL RISER SHOWN, ALL SILL RISERS MAYBE USED

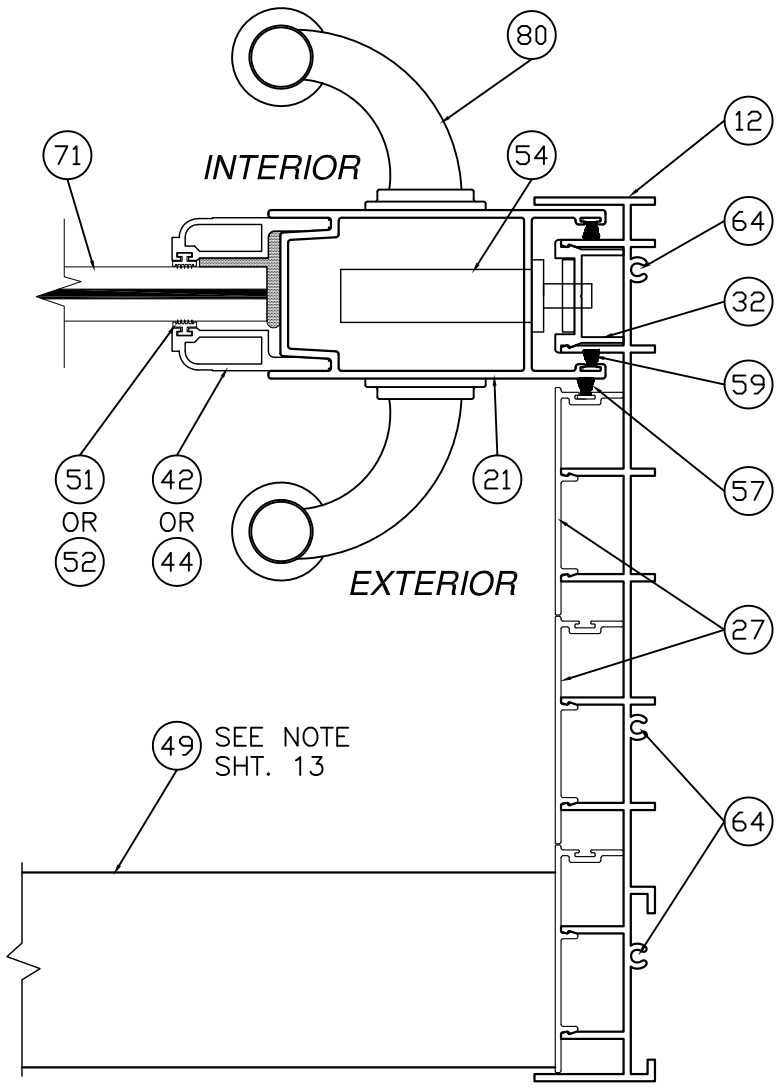
NOTE:
SEE SHEETS 16, 17, 18 AND 19 FOR TYPICAL ANCHORAGE TO VARIOUS SUBSTRATE MATERIALS. A SPECIFIC SUBSTRATE IS INDICATED ON EACH HEAD AND TRACK SYSTEM. OTHER HEAD AND TRACK SYSTEMS ARE SIMILAR.

| | | | | |
|--|-------------------------------|--|--------------------------------|------------------|
| | | PREPARED BY A. LYNN MILLER 1070 TECHNOLOGY DRIVE N. VENICE, FL 34275 (941) 480-1600 | | |
| WINDOOR INCORPORATED 104 TRIPLE DIAMOND BLVD. NORTH VENICE, FL 34275; (833) 554-5432 | | REGISTRATION #29296 | | |
| COPYRIGHT © 2021 WINDOOR INC. LIMITED LICENSE TO MAKE COPIES FOR PERMITTING. | | | | |
| Title SLIDING GLASS DOOR - W/WO REINF. - (LMI) | Date 02/02/21 | | | |
| Series Desc. VERTICAL CROSS SECTIONS | Drawn By J ROSOWSKI | | | |
| Series SGD8100A | Scale NTS | Sheet 12 OF 22 | DWG No. TDI-8100LM-1 | Rev. - |

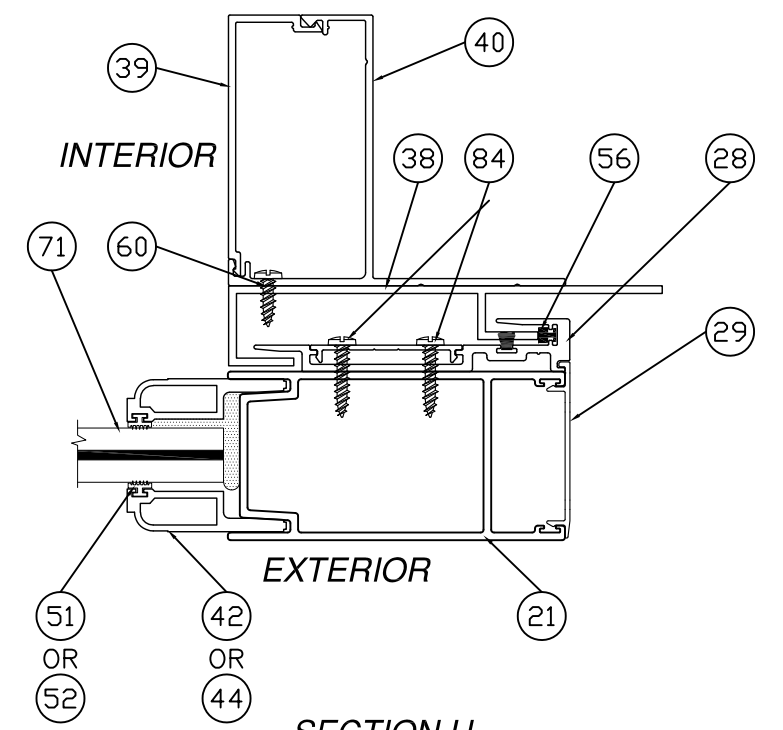
A. Lynn Miller 2/5/21
 A. LYNN MILLER, P.E.
 P.E.# 106954



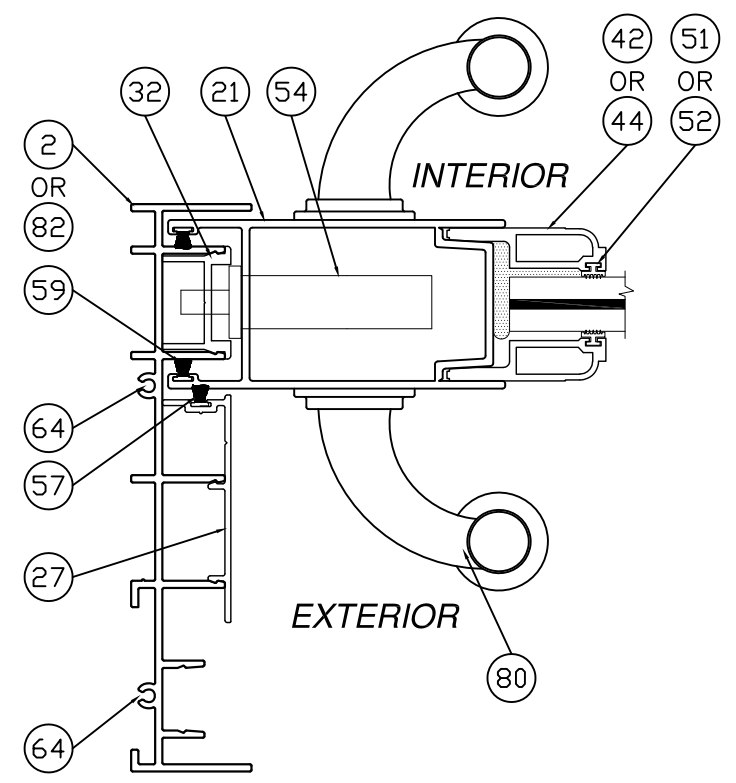
SECTION D
PLAIN STILE AT 3 TRACK JAMB



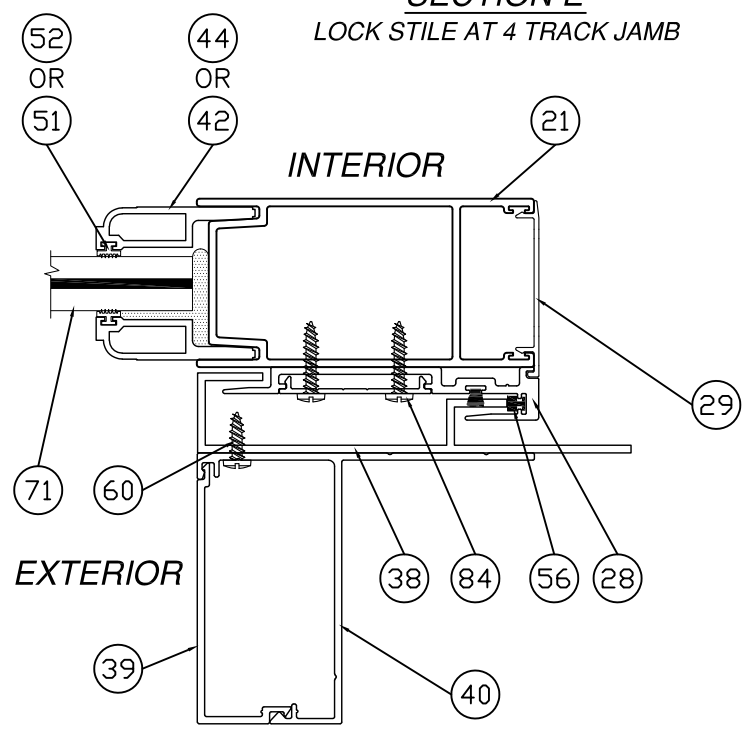
SECTION E
LOCK STILE AT 4 TRACK JAMB



SECTION H
REINFORCED/NON REINFORCED INTERLOCK STILE AT EXTERIOR HOOK STRIP



SECTION F
LOCK STILE AT 2 TRACK JAMB



SECTION G
REINFORCED/NON REINFORCED INTERLOCK STILE AT INTERIOR HOOK STRIP

FIXED PANEL NOTE:

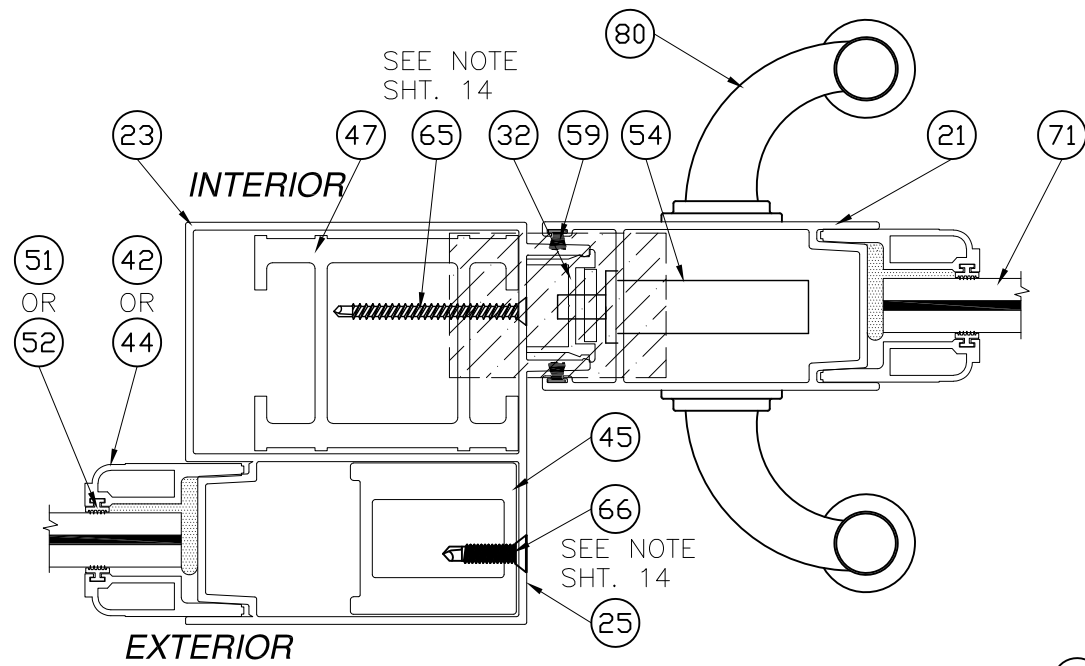
ITEM #49, SILL COVER, AND ITEM #48, FRAME HEAD COVER, ARE USED TO SECURE SINGLE OR MULTIPLE FIXED PANELS IN PLACE. DEPENDING ON CONFIGURATION INSTALLED ITEMS #48 AND #49 MAY BE REPLACED WITH ITEM #83 TO SECURE FIXED PANEL IN PLACE. LOCATE ITEM #83 IN INTERIOR AND EXTERIOR OF FIXED PANEL 4" FROM TOP AND BOTTOM AND ONE AT MIDSPAN. SEE SECTIONS "O" AND "U" IN SHEETS 14 AND 15 RESPECTIVELY.

NOTE:

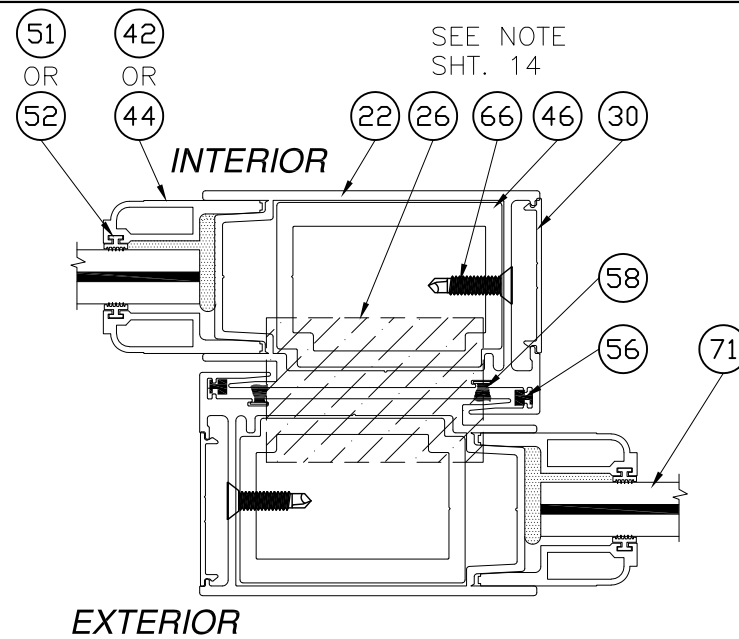
SEE SHEETS 16, 17, 18 AND 19 FOR TYPICAL ANCHORAGE TO VARIOUS SUBSTRATE MATERIALS. A SPECIFIC SUBSTRATE IS INDICATED ON EACH HEAD AND TRACK SYSTEM. OTHER HEAD AND TRACK SYSTEMS ARE SIMILAR.

| | | | | |
|--|--|--|----------------------|--|
| | | PREPARED BY A. LYNN MILLER 1070 TECHNOLOGY DRIVE N. VENICE, FL 34275 (941) 480-1600 | | |
| WINDOOR INCORPORATED 104 TRIPLE DIAMOND BLVD. NORTH VENICE, FL 34275; (833) 554-5432 | | REGISTRATION #29296 | | |
| COPYRIGHT © 2021 WINDOOR INC. LIMITED LICENSE TO MAKE COPIES FOR PERMITTING. | | | | |
| Series | Title | Date | Drawn By: J ROSOWSKI | |
| SGD8100A | SLIDING GLASS DOOR - W/WO REINF. - (LMI) | 02/02/21 | | |
| Scale | Sheet | DWG No. | Rev. - | |
| NTS | 13 OF 22 | TDI-8100LM-1 | | |

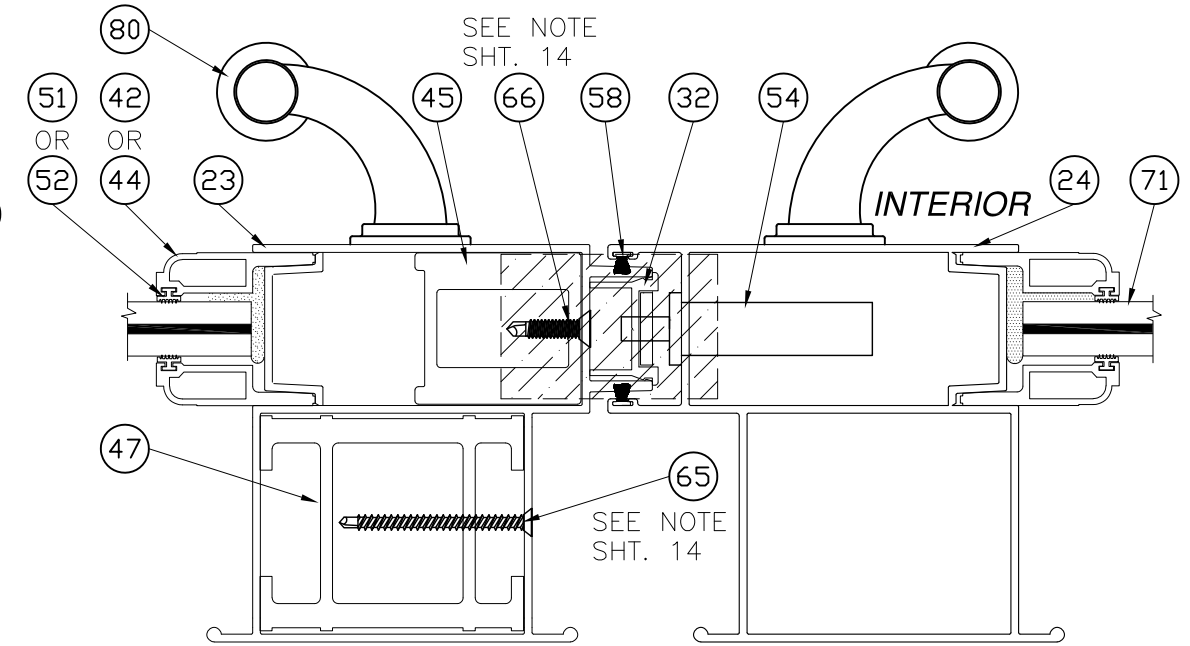
A. Lynn Miller 2/5/21
 A. LYNN MILLER, P.E.
 P.E.# 106954



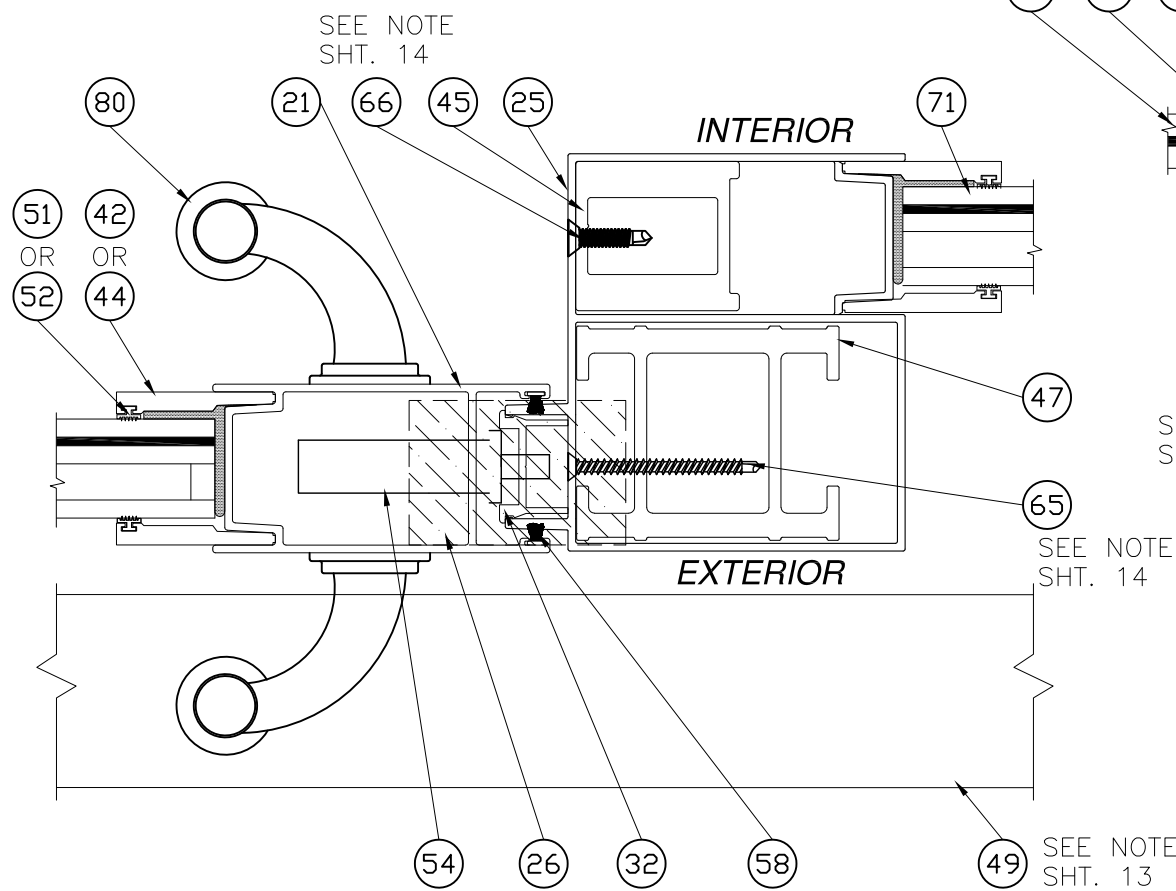
SECTION J
REINFORCED INTERIOR FIXED BUTT STILE TO LOCK STILE



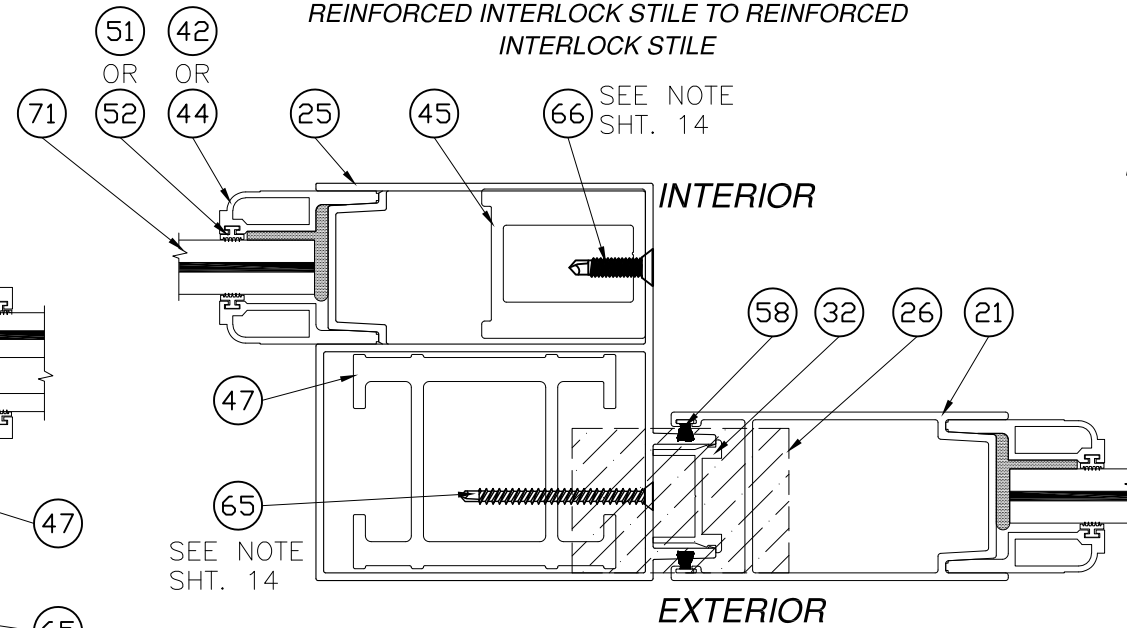
SECTION L
REINFORCED INTERLOCK STILE TO REINFORCED INTERLOCK STILE



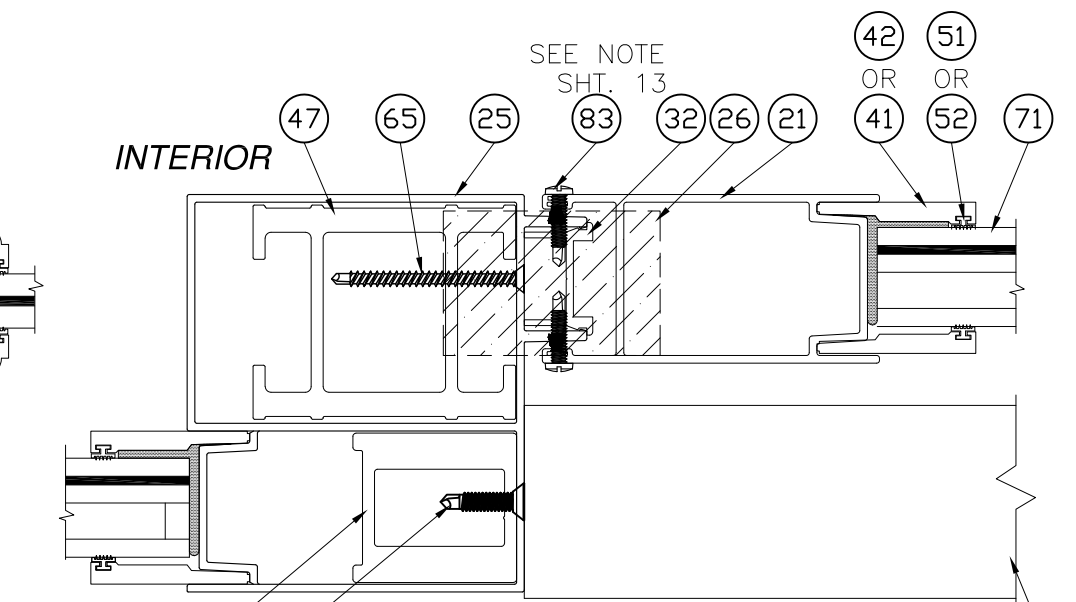
SECTION N
REINFORCED MALE BUTT STILE TO REINFORCED LOCKING BUTT STILE



SECTION K
LOCK STILE TO REINFORCED EXTERIOR FIXED BUTT STILE



SECTION M
REINFORCED EXTERIOR FIXED BUTT STILE TO PLAIN STILE

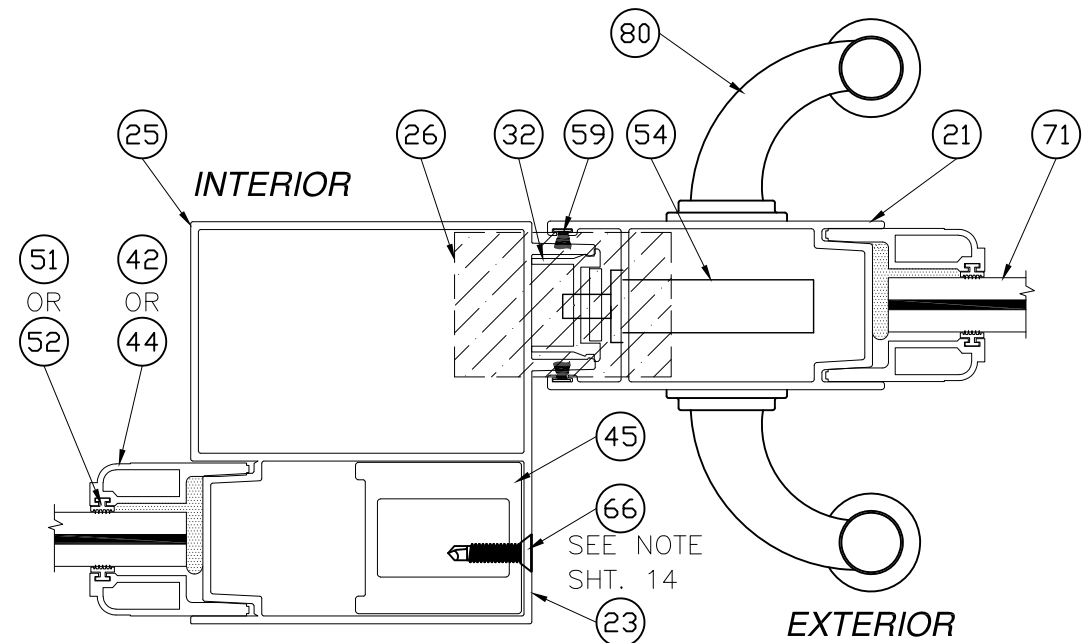


SECTION O
REINFORCED INTERIOR FIXED BUTT STILE TO PLAIN STILE

REINFORCING BAR NOTE:

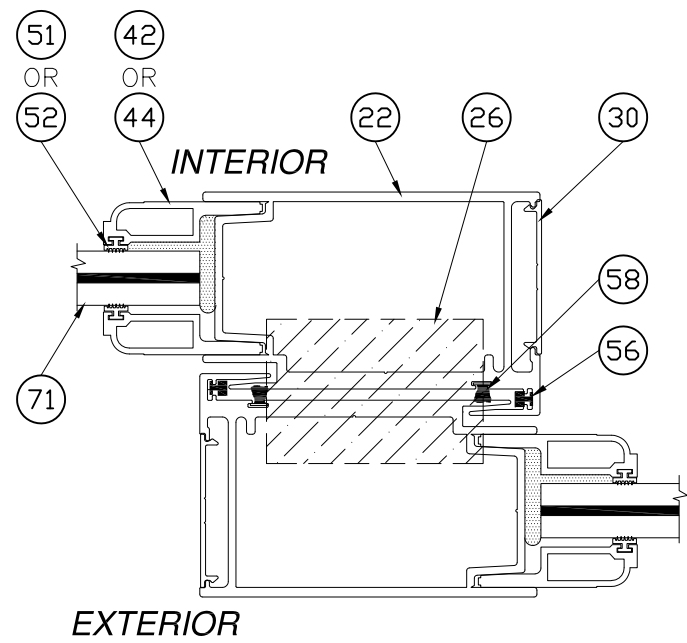
ITEM #46, INTERLOCK REINFORCING BAR IS SECURED TO INTERLOCK WITH ITEM #66. ITEM #47, FEMALE BUTT STILE REINFORCING BAR IS SECURED TO FEMALE BUTT STILE AND FEMALE BUTT STILE OFFSET WITH ITEM #65. ITEM #45, 6000 BUTT STILE REINFORCING BAR IS SECURED TO FEMALE BUTT STILE AND FEMALE BUTT STILE OFFSET WITH ITEM #66. ALL SCREWS ARE SPACED 6" FROM TOP AND BOTTOM OF STILES AND ONE AT MIDSPAN.

| | | | | |
|---|------------------|---|-------------------|---|
| | | PREPARED BY A. LYNN MILLER 1070 TECHNOLOGY DRIVE N. VENICE, FL 34275 (941) 480-1600 REGISTRATION #29296 | | |
| COPYRIGHT © 2021 WINDOOR INC. LIMITED LICENSE TO MAKE COPIES FOR PERMITTING. | | | | |
| Title SLIDING GLASS DOOR - W/WO REINF. - (LMI) | Date 02/02/21 | Drawn By J ROSOWSKI | | A. Lynn Miller 2/5/21 A. LYNN MILLER, P.E. P.E.# 106954 |
| Series Desc. HORIZONTAL CROSS SECTIONS | | Scale NTS | Sheet 14 OF 22 | |
| DWG No. TDI-8100LM-1 | Rev. - | | | |



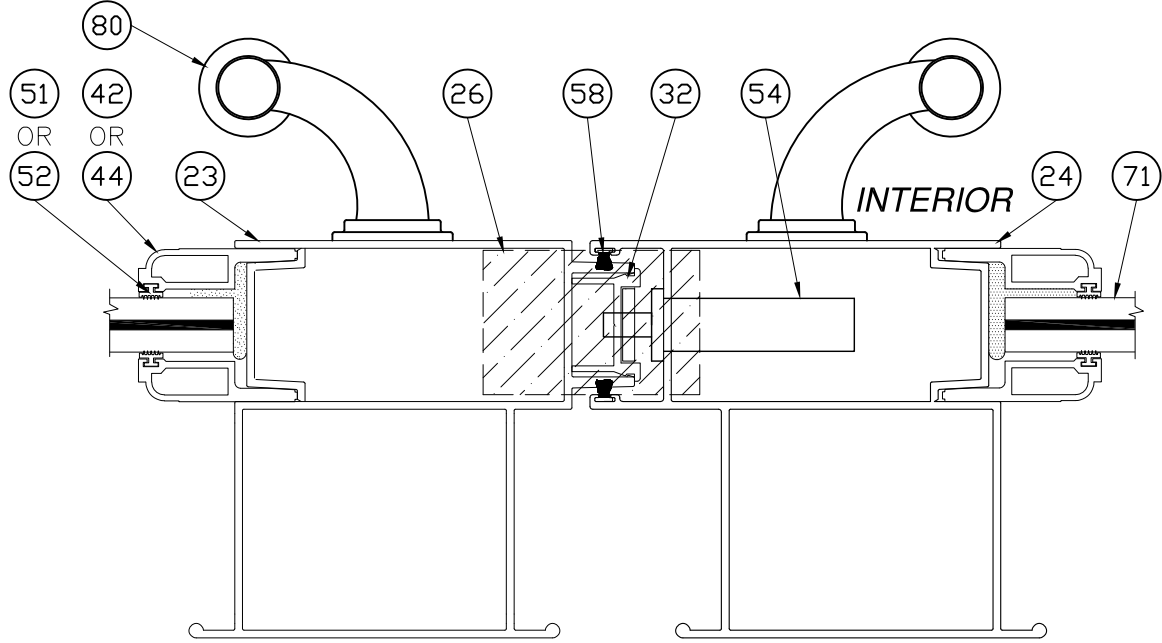
SECTION P

NON-REINFORCED INTERIOR FIXED BUTT STILE TO LOCK STILE



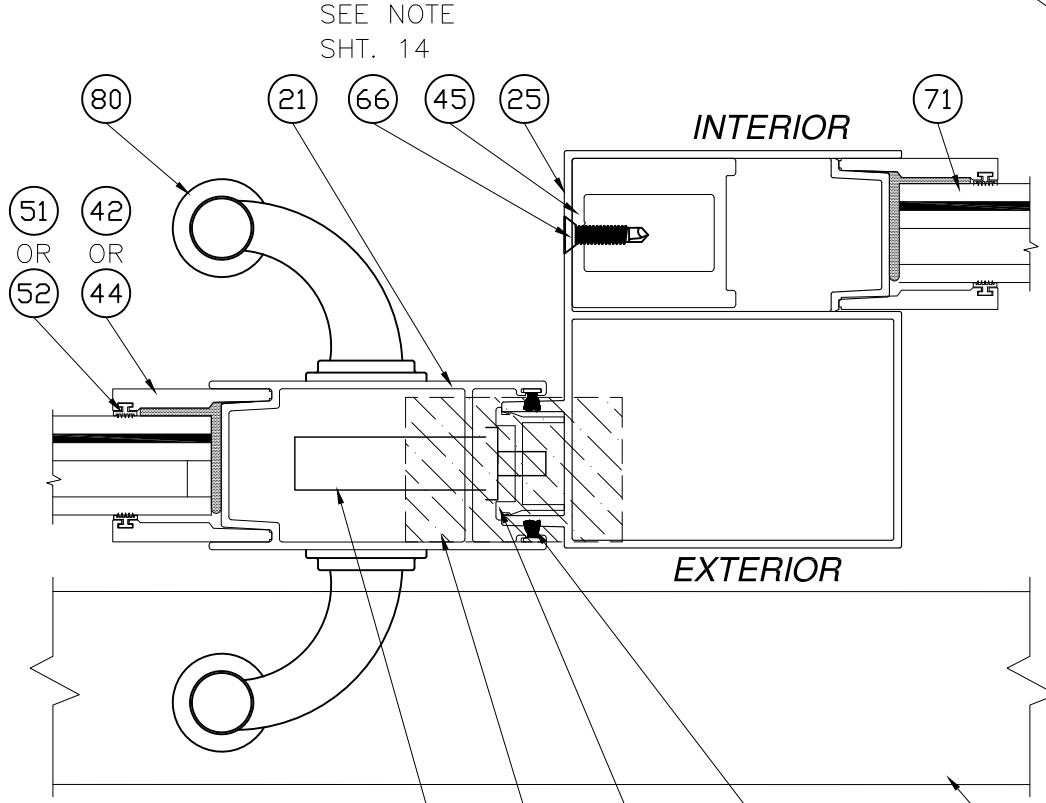
SECTION R

NON-REINFORCED INTERLOCK STILE TO NON-REINFORCED INTERLOCK STILE



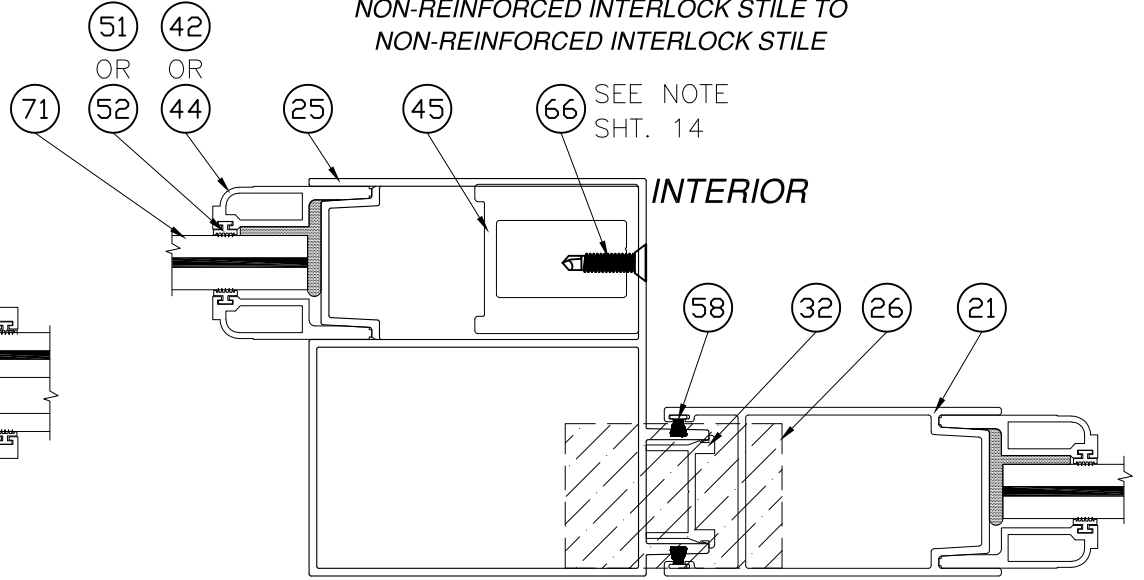
SECTION T

NON-REINFORCED MALE BUTT STILE TO NON-REINFORCED LOCKING BUTT STILE



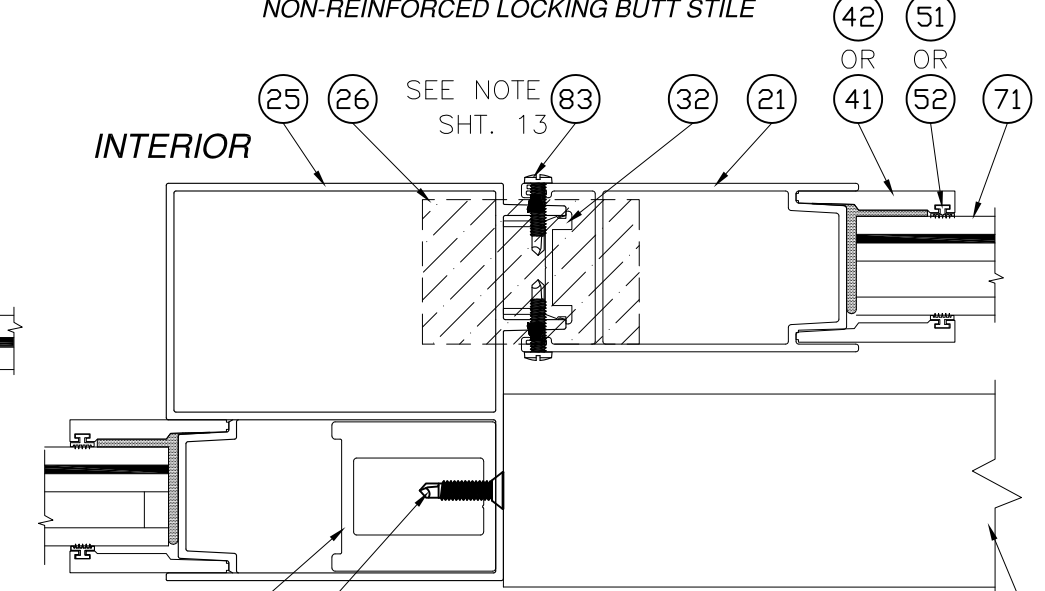
SECTION Q

LOCK STILE TO NON-REINFORCED EXTERIOR FIXED BUTT STILE



SECTION S

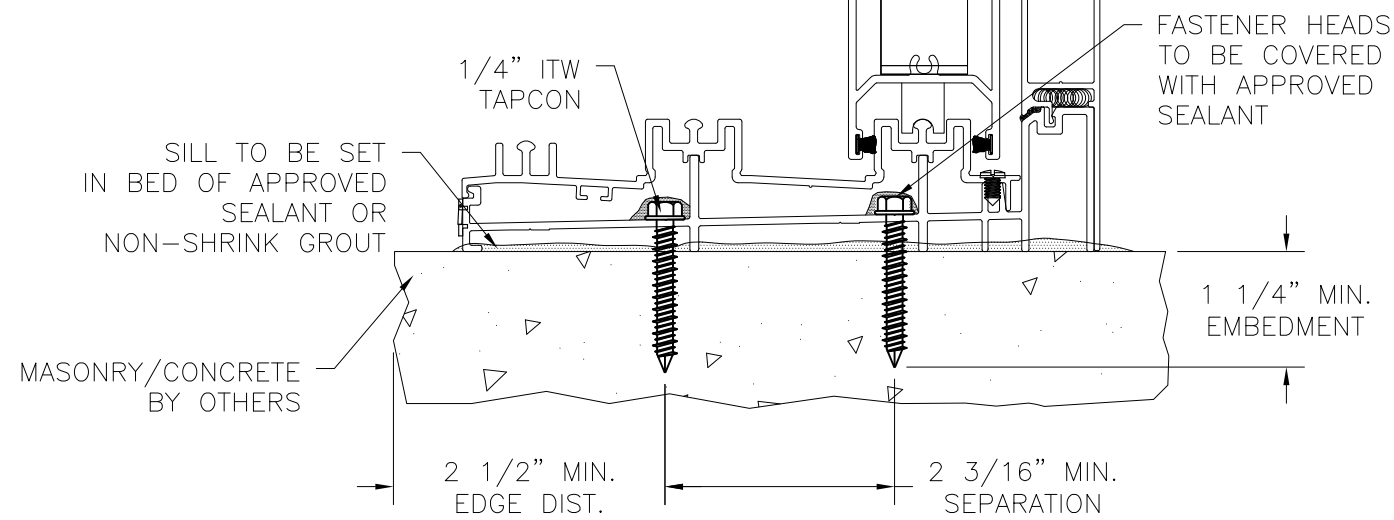
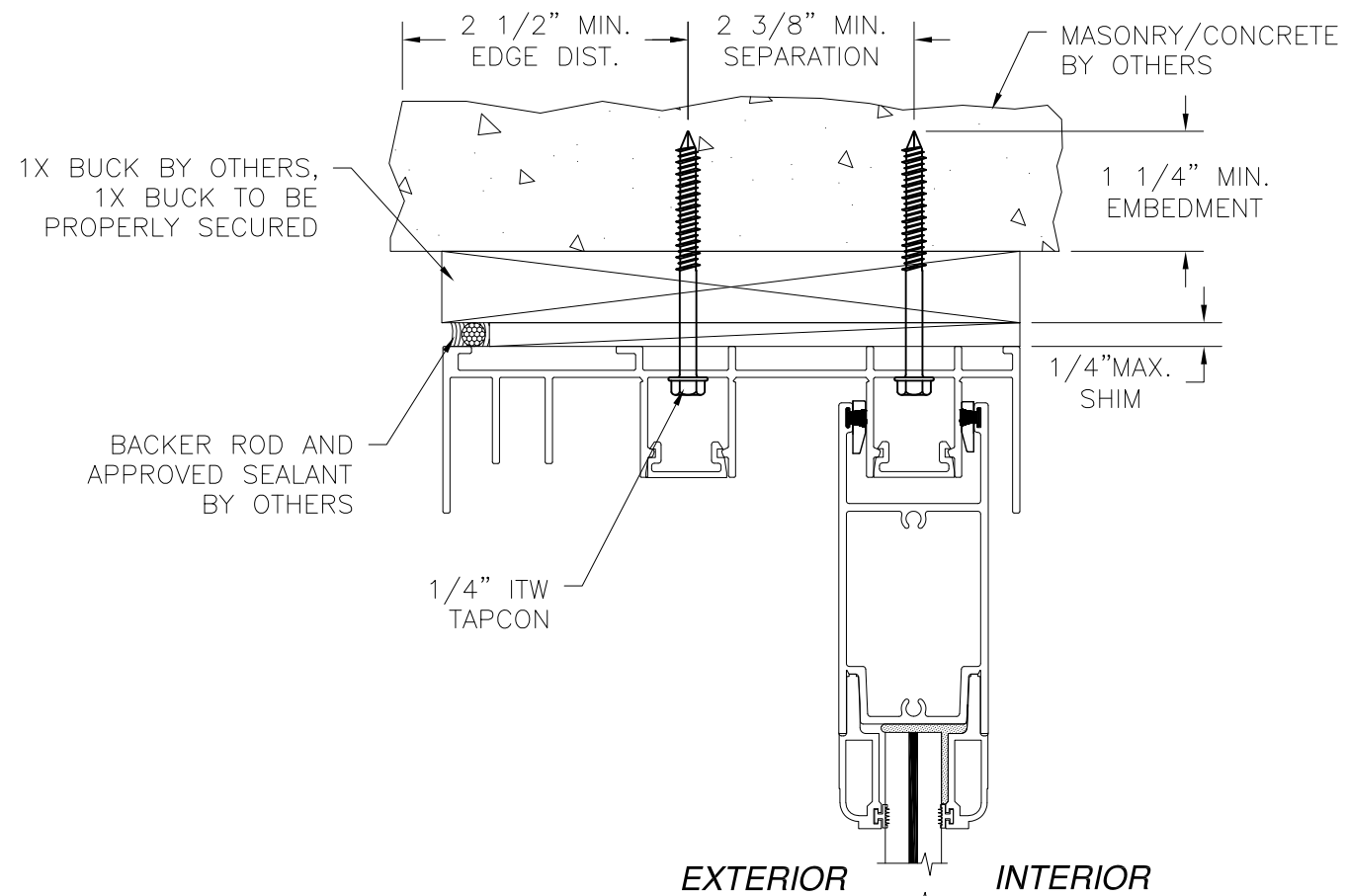
NON-REINFORCED EXTERIOR FIXED BUTT STILE TO PLAIN STILE



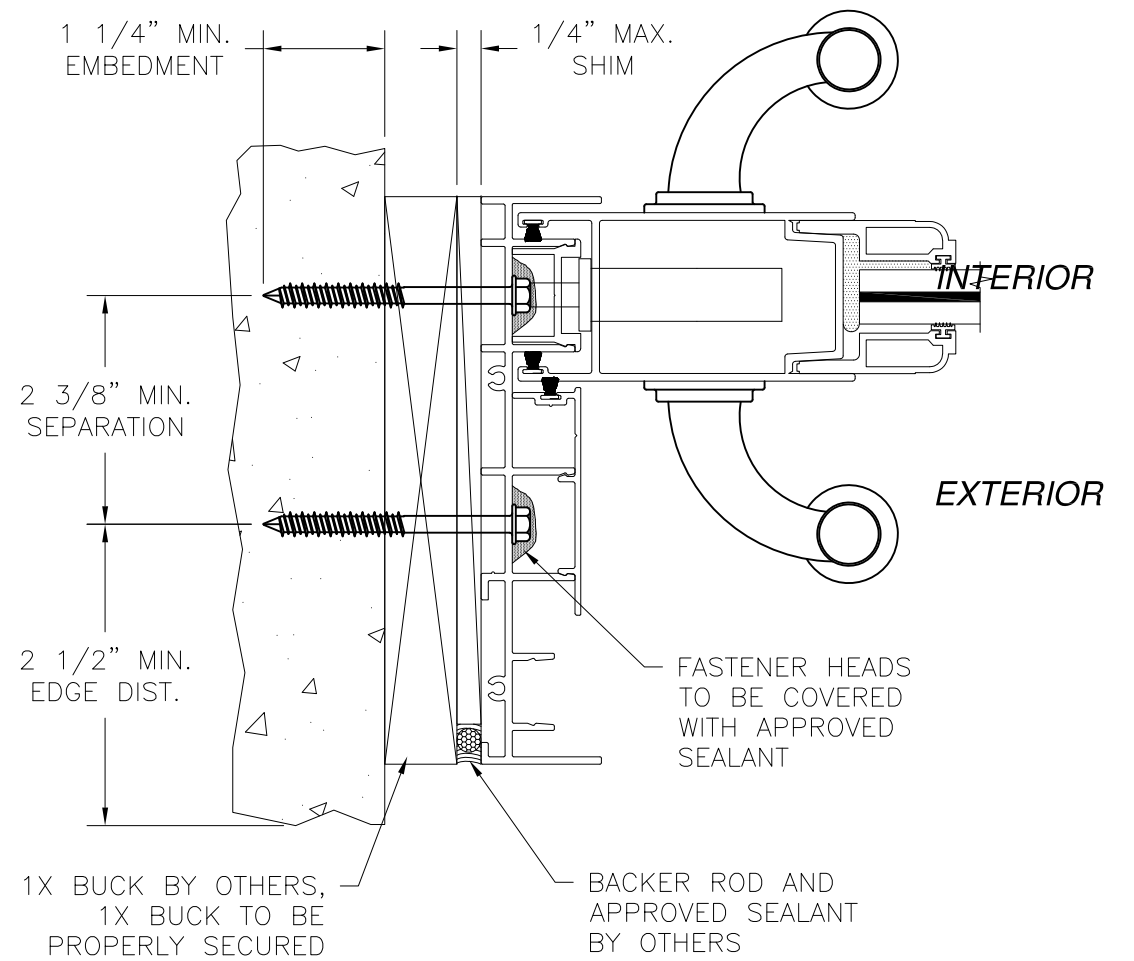
SECTION U

NON-REINFORCED INTERIOR FIXED BUTT STILE TO PLAIN STILE

| | | | | |
|---|---|---|-------------------|-------------------------|
| | | PREPARED BY A. LYNN MILLER 1070 TECHNOLOGY DRIVE N. VENICE, FL 34275 (941) 480-1600 REGISTRATION #29296 | | |
| COPYRIGHT © 2021 WINDOOR INC. LIMITED LICENSE TO MAKE COPIES FOR PERMITTING. | | | | |
| Title SLIDING GLASS DOOR - W/WO REINF. - (LMI) | Date 02/02/21 | Drawn By J ROSOWSKI | | |
| Series Desc. HORIZONTAL CROSS SECTIONS | | Scale NTS | Sheet 15 OF 22 | DWG No. TDI-8100LM-1 |
| Rev. - | A. Lynn Miller 2/5/21 A. LYNN MILLER, P.E. P.E.# 106954 | | | |



2 TRACK FRAME VERTICAL INSTALLATION
MASONRY/CONCRETE INSTALLATION



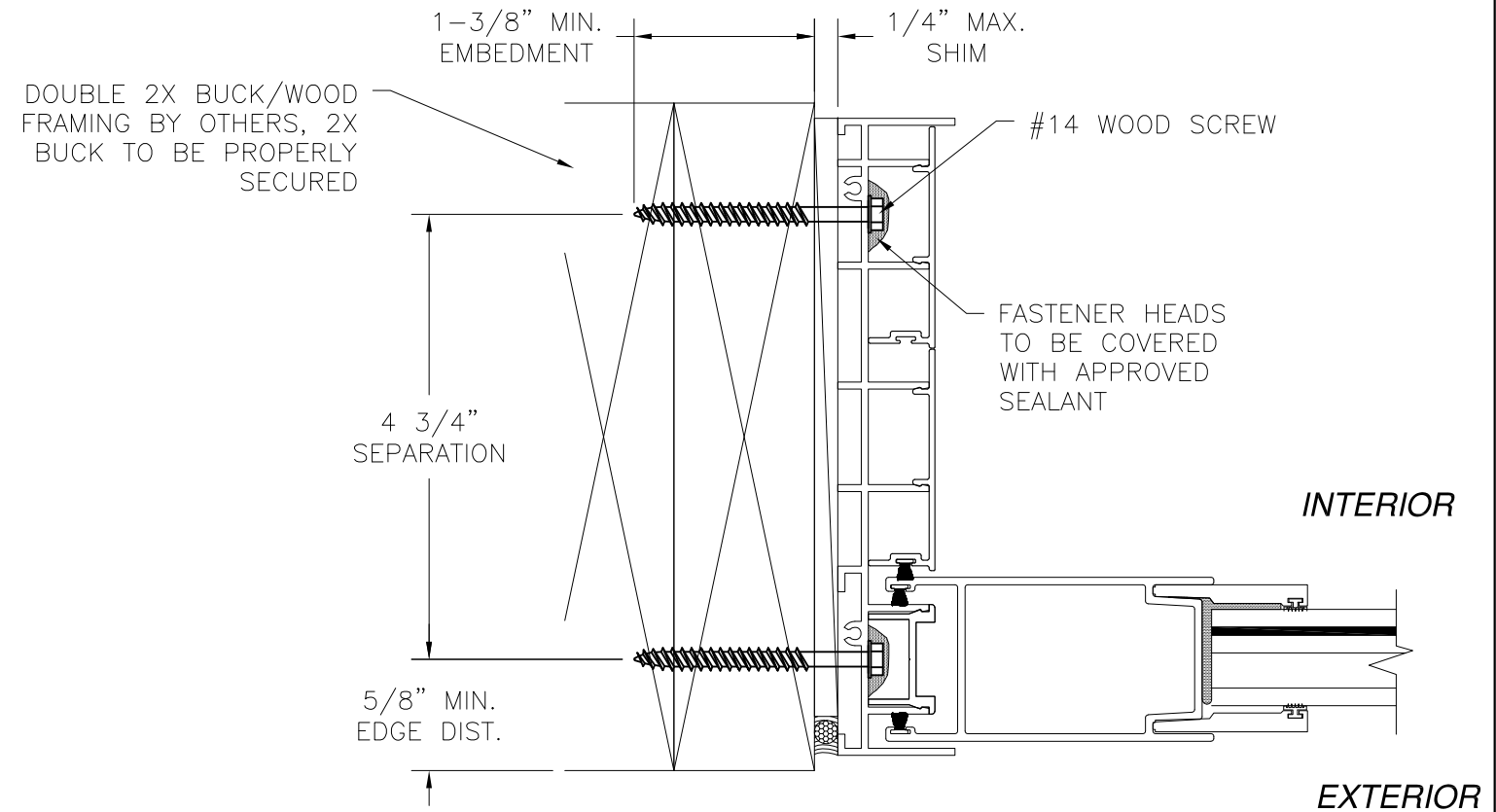
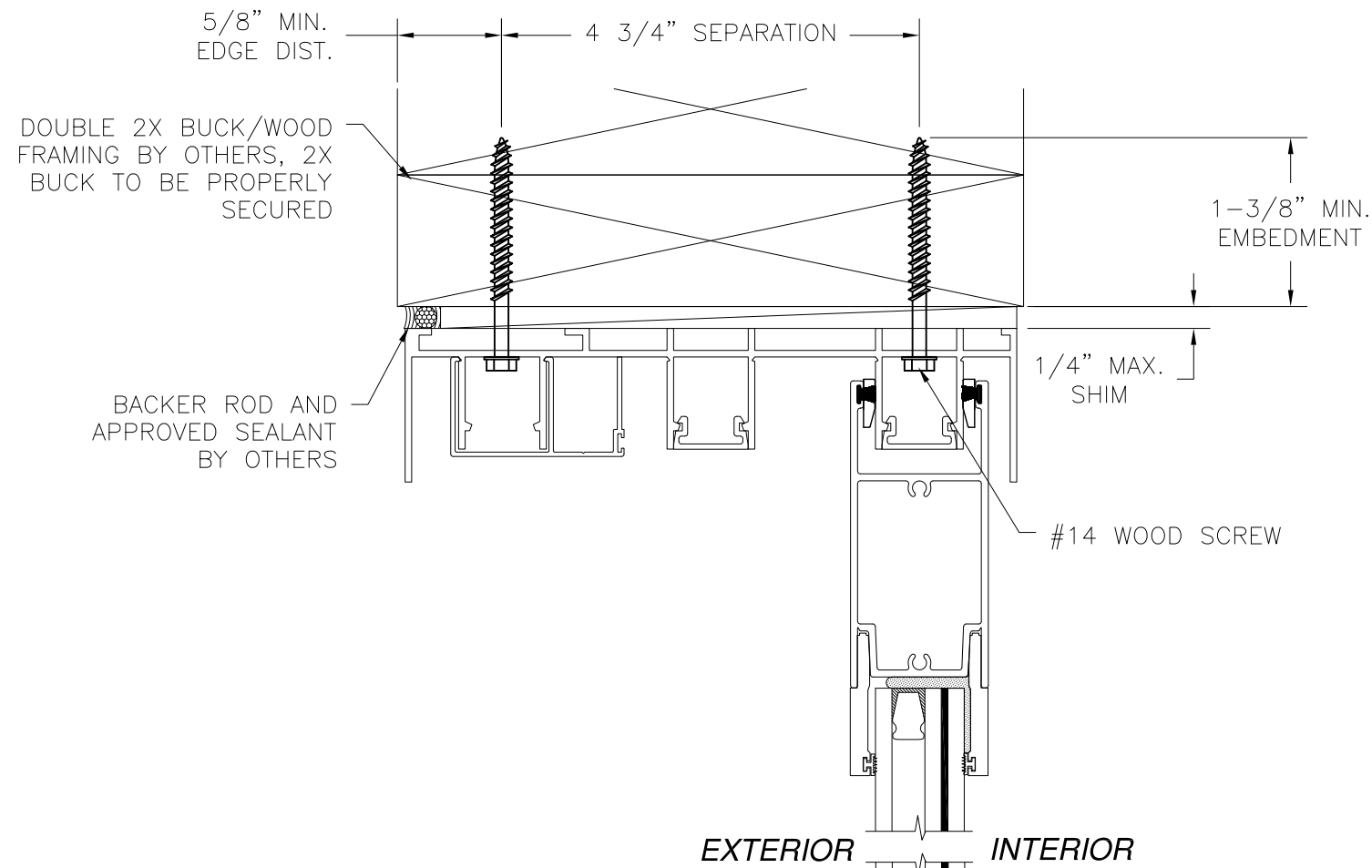
2 TRACK FRAME JAMB INSTALLATION
1X BUCK TO MASONRY/CONCRETE INSTALLATION, 2 TRACK SHOWN 3 TRACK & 4 TRACK ARE SIMILAR

NOTE:
CONCRETE SUBSTRATE INSTALLATION FOR 2 TRACK SHOWN.
ANCHORAGE SIMILAR FOR 3 TRACK AND 4 TRACK SYSTEMS.
SEE SHEET 9 FOR ANCHOR SEPARATION.

2 TRACK WITH 3\"/>

| | | | | |
|--|----------------------|--|------------|------|
| | | PREPARED BY A. LYNN MILLER 1070 TECHNOLOGY DRIVE N. VENICE, FL 34275 (941) 480-1600 | | |
| WINDOOR INCORPORATED 104 TRIPLE DIAMOND BLVD. NORTH VENICE, FL 34275; (833) 554-5432 | | REGISTRATION #29296 | | |
| COPYRIGHT © 2021 WINDOOR INC. LIMITED LICENSE TO MAKE COPIES FOR PERMITTING. | | | | |
| Series | Desc. | Title | Date | |
| SGD8100A | INSTALLATION DETAILS | SLIDING GLASS DOOR - W/WO REINF. - (LMI) | 02/02/21 | |
| Scale | Sheet | DWG No. | Drawn By | Rev. |
| NTS | 16 OF 22 | TDI-8100LM-1 | J ROSOWSKI | - |

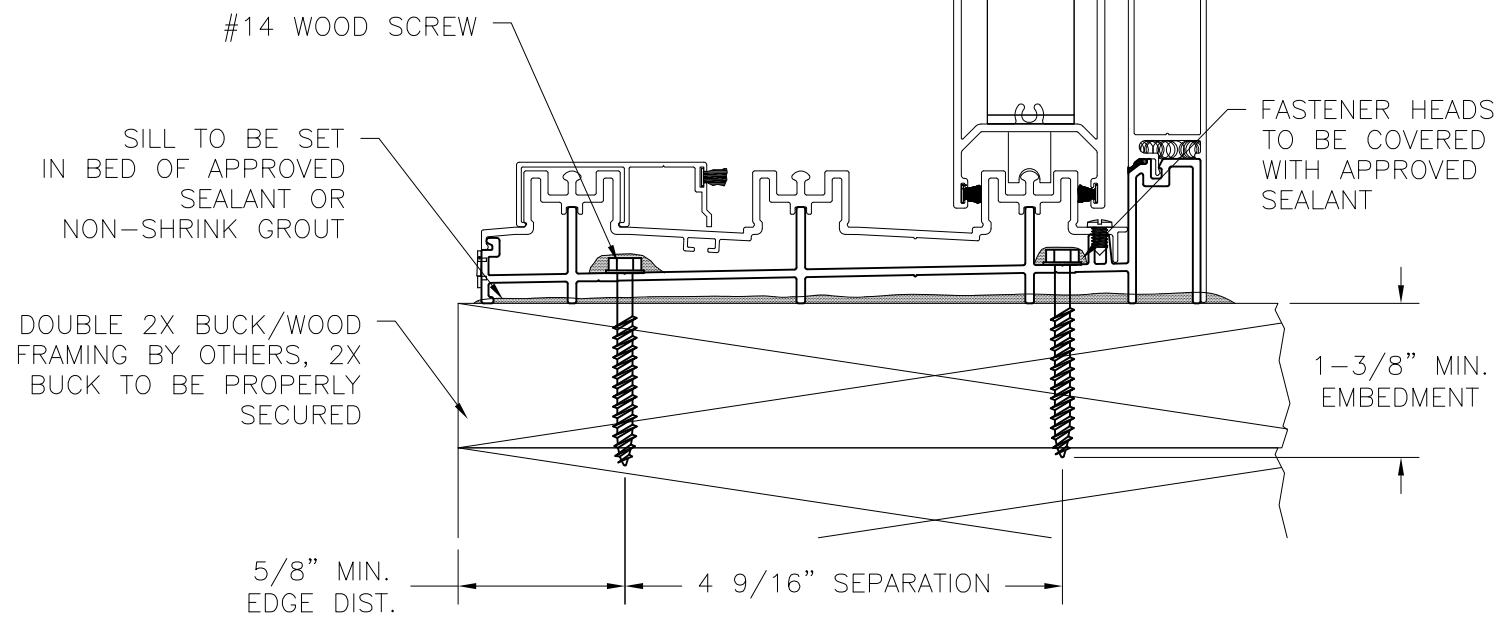
A. Lynn Miller 2/5/21
 A. LYNN MILLER, P.E.
 P.E.# 106954



3 TRACK FRAME JAMB INSTALLATION
 2X BUCK/WOOD FRAME INSTALLATION, 3 TRACK
 SHOWN 2 TRACK & 4 TRACK ARE SIMILAR

NOTE:
 2X BUCK/WOOD FRAME SUBSTRATE INSTALLATION FOR 3 TRACK SHOWN. ANCHORAGE SIMILAR FOR 2 TRACK AND 4 TRACK SYSTEMS. SEE SHEET 9 FOR ANCHOR SEPARATION.

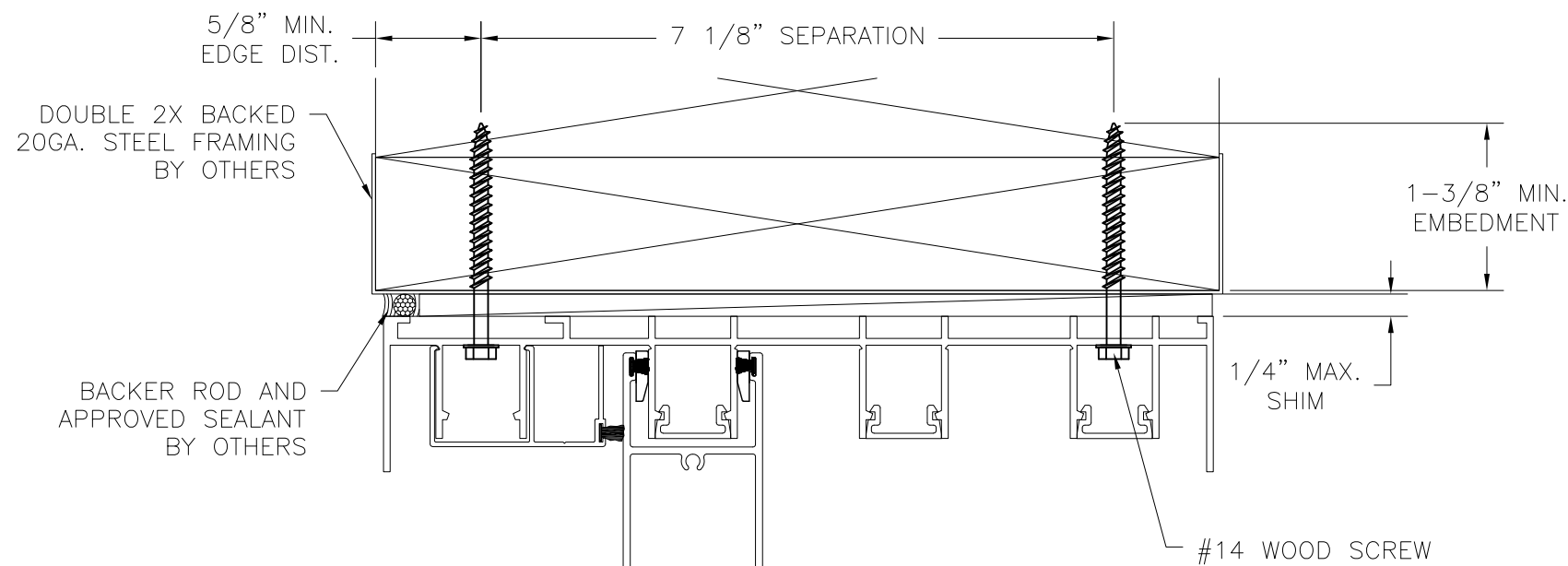
3 TRACK WITH 4 1/4" SILL RISER SHOWN 2 TRACK & 4 TRACK ARE SIMILAR. ALL SILL RISERS MAYBE USED



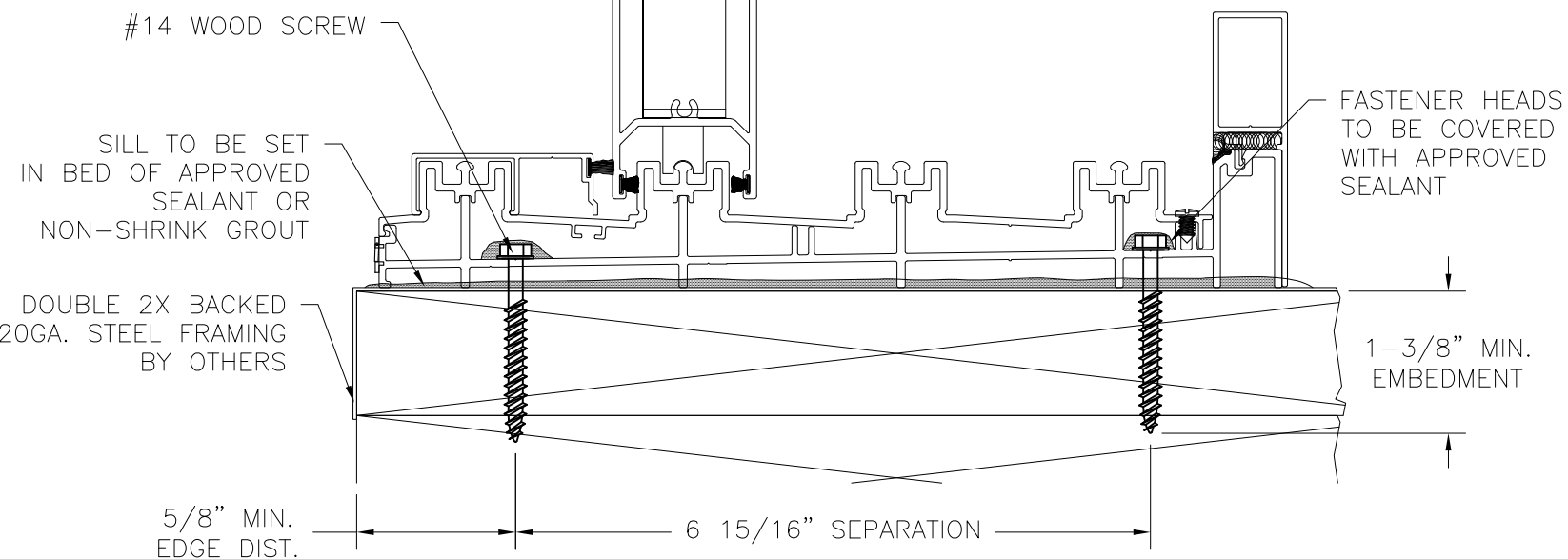
3 TRACK FRAME VERTICAL INSTALLATION
 2X BUCK/WOOD FRAME INSTALLATION

| | | | |
|--|--|--|------------|
| WinDoor® INCORPORATED | | PREPARED BY A. LYNN MILLER 1070 TECHNOLOGY DRIVE N. VENICE, FL 34275 (941) 480-1600 | |
| WINDOOR INCORPORATED 104 TRIPLE DIAMOND BLVD. NORTH VENICE, FL 34275; (833) 554-5432 | | REGISTRATION #29296 | |
| COPYRIGHT © 2021 WINDOOR INC. LIMITED LICENSE TO MAKE COPIES FOR PERMITTING. | | | |
| Series | Title | Date | Rev. |
| SLD8100A | SLIDING GLASS DOOR - W/WO REINF. - (LMI) | 02/02/21 | - |
| Desc. | INSTALLATION DETAILS | | Drawn By |
| | | | J ROSOWSKI |
| Scale | Sheet | DWG No. | Rev. |
| NTS | 17 OF 22 | TDI-8100LM-1 | - |

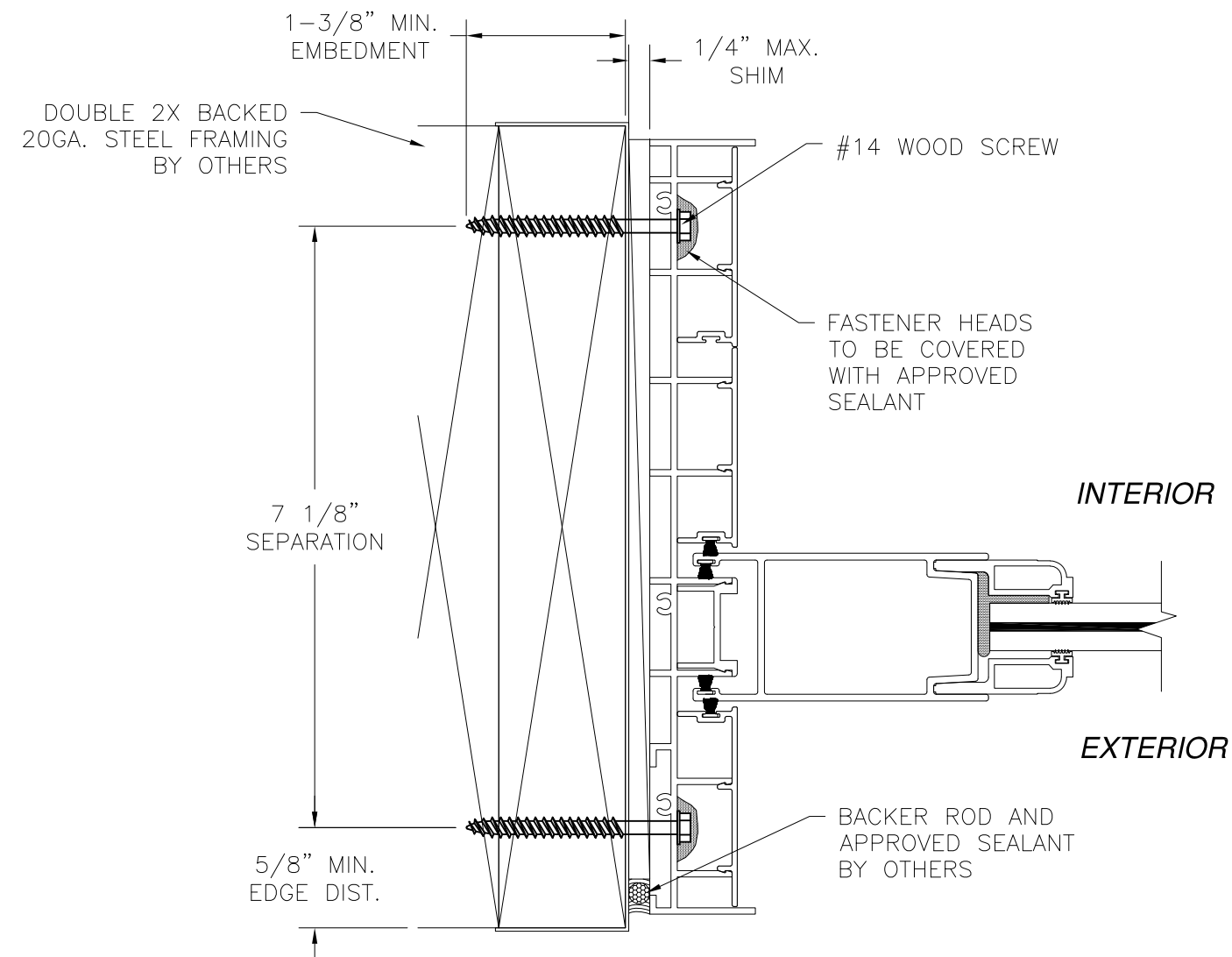




EXTERIOR INTERIOR



4 TRACK FRAME VERTICAL INSTALLATION
WOOD BACKED 20 GA. STEEL STUD INSTALLATION



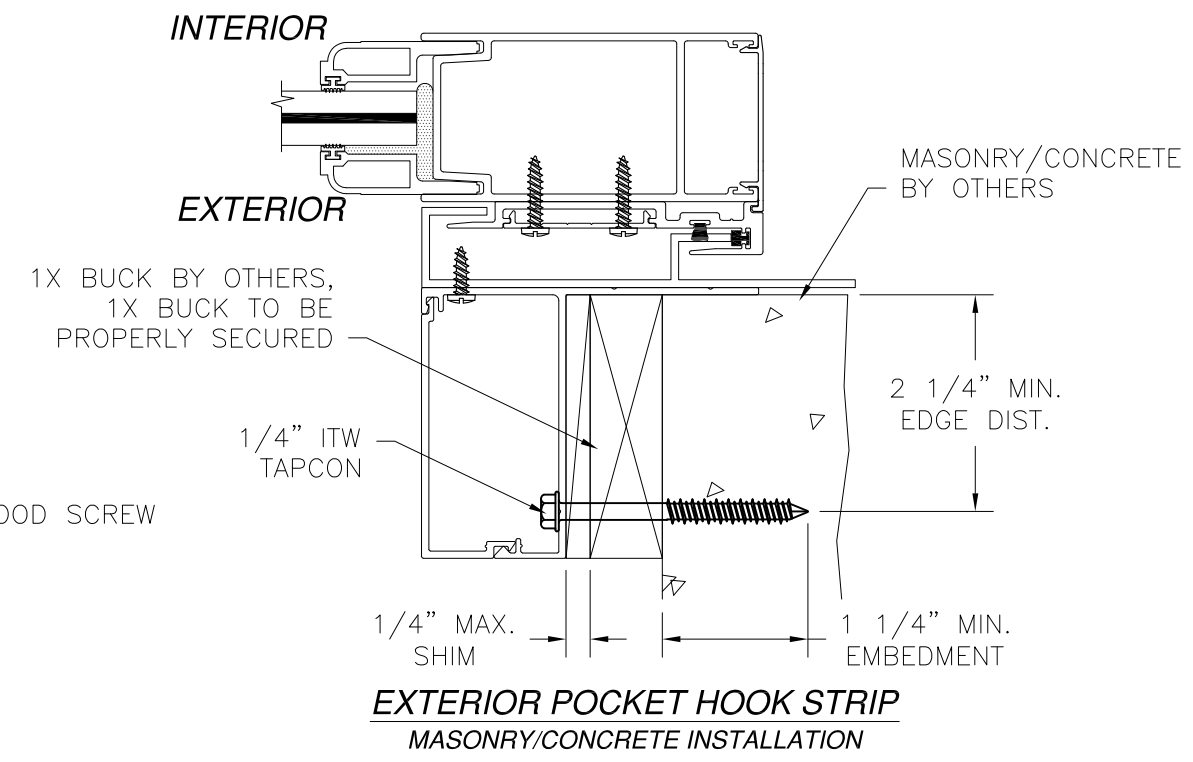
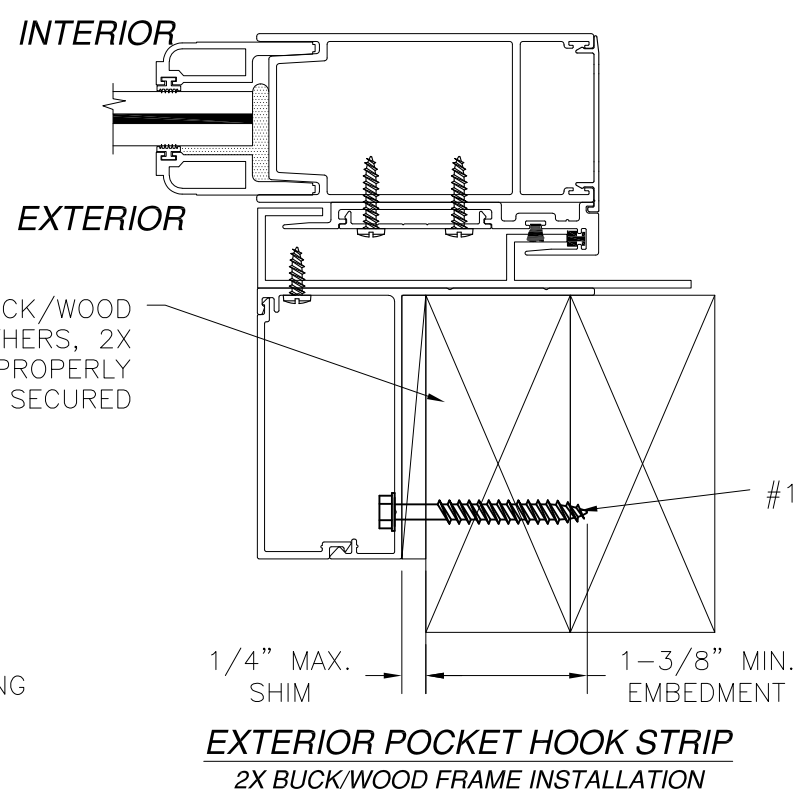
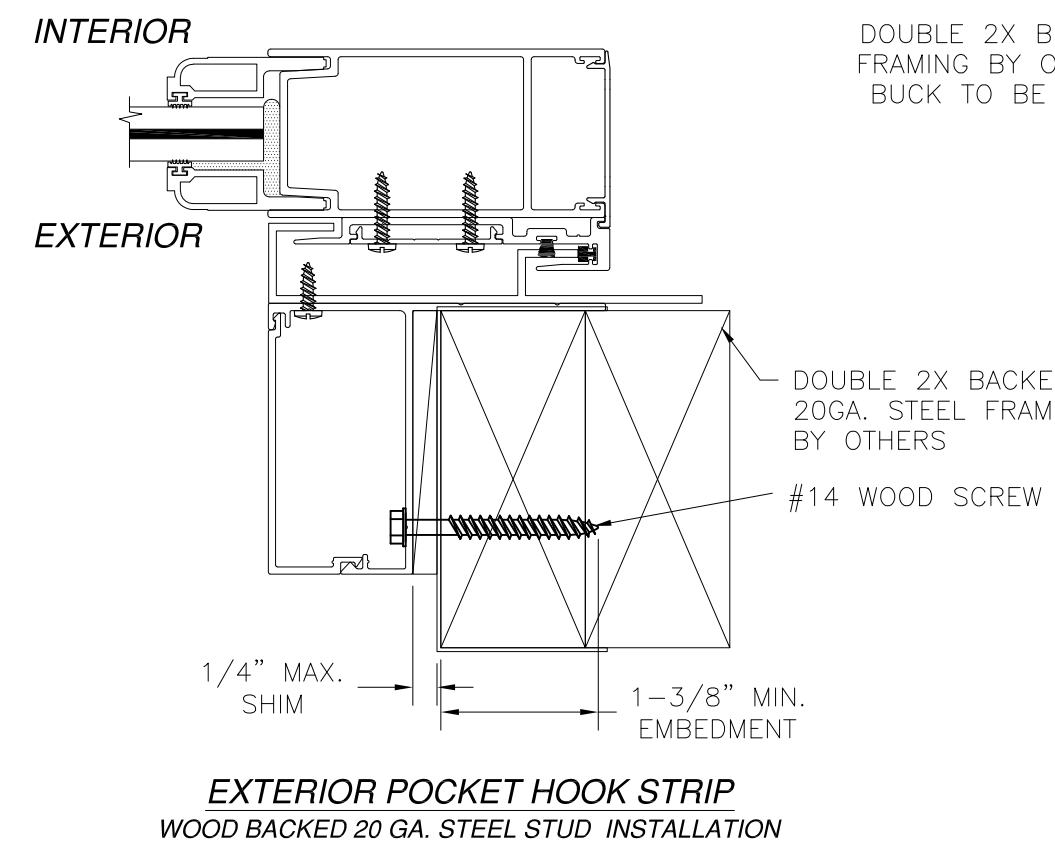
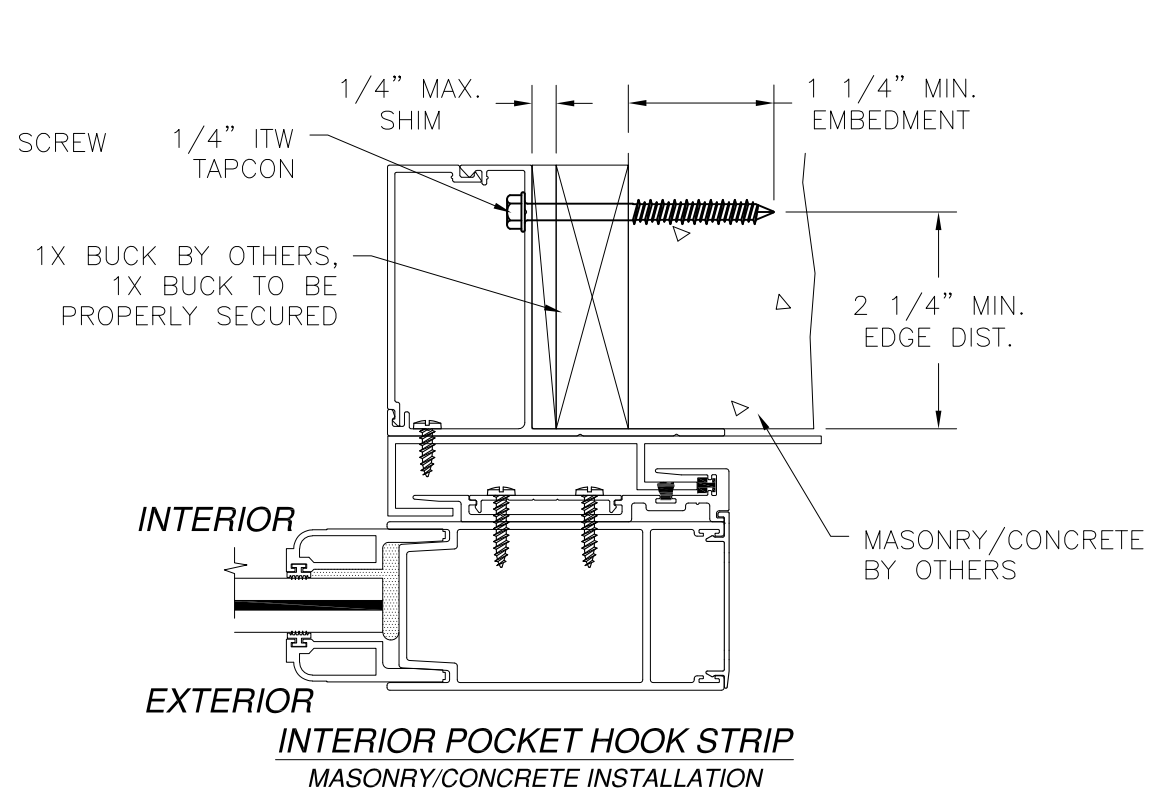
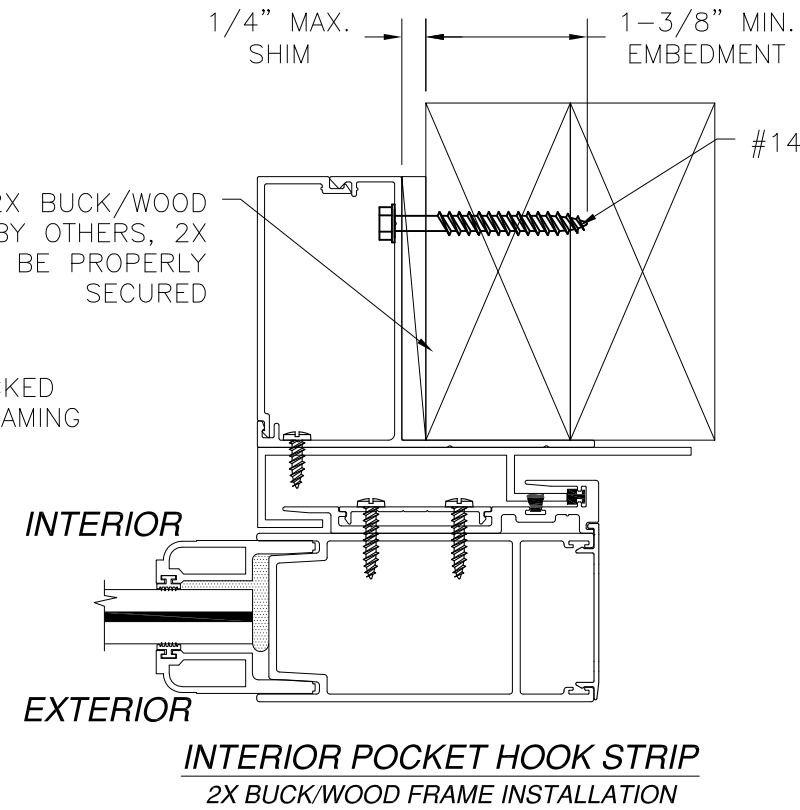
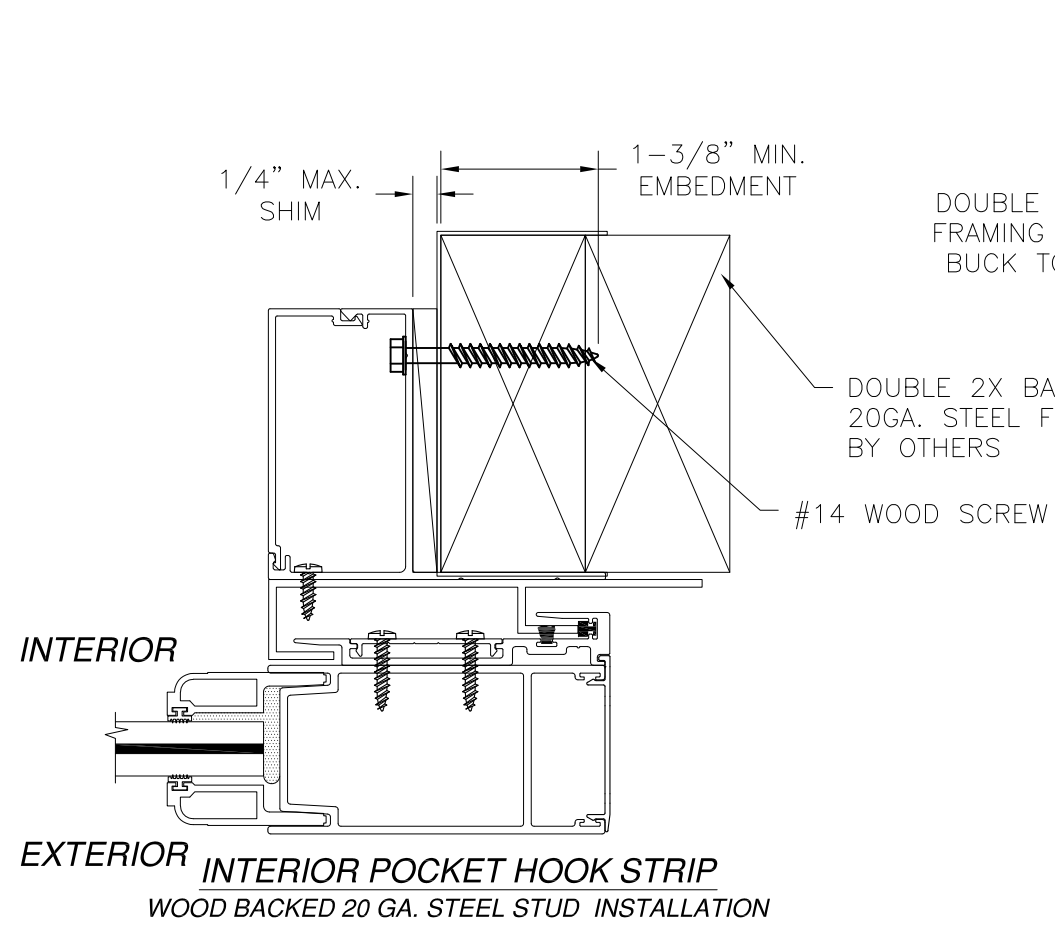
4 TRACK FRAME JAMB INSTALLATION
WOOD BACKED 20 GA. STEEL STUD INSTALLATION, 4 TRACK SHOWN 2 TRACK & 3 TRACK ARE SIMILAR

NOTE:
WOOD BACKED 20 GA. STEEL STUD SUBSTRATE INSTALLATION FOR 4 TRACK SHOWN. ANCHORAGE SIMILAR FOR 2 TRACK AND 3 TRACK SYSTEMS. SEE SHEET 9 FOR ANCHOR SEPARATION.

4 TRACK WITH 3\" SILL RISER SHOWN 2 TRACK & 3 TRACK ARE SIMILAR. ALL SILL RISERS MAYBE USED

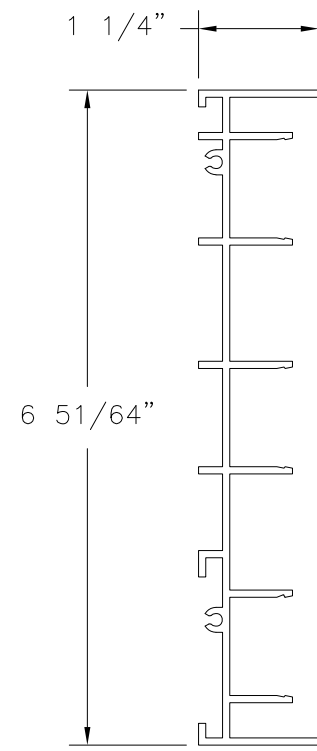
| | | | | |
|--|----------|--|----------|------------|
| | | PREPARED BY A. LYNN MILLER 1070 TECHNOLOGY DRIVE N. VENICE, FL 34275 (941) 480-1600 | | |
| WINDOOR INCORPORATED 104 TRIPLE DIAMOND BLVD. NORTH VENICE, FL 34275; (833) 554-5432 | | REGISTRATION #29296 | | |
| COPYRIGHT © 2021 WINDOOR INC. LIMITED LICENSE TO MAKE COPIES FOR PERMITTING. | | | | |
| Series | Desc. | Title | Date | Drawn By |
| SGD8100A | NTS | SLIDING GLASS DOOR - W/WO REINF. - (LMI) | 02/02/21 | J ROSOWSKI |
| Scale | Sheet | DWG No. | Rev. | |
| NTS | 18 OF 22 | TDI-8100LM-1 | - | |

A. Lynn Miller 2/5/21
 A. LYNN MILLER, P.E.
 P.E.# 106954

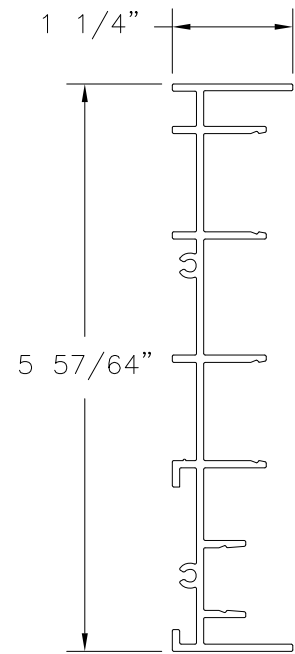


| | | | | |
|--|--|--|----------|------------|
| | | PREPARED BY A. LYNN MILLER 1070 TECHNOLOGY DRIVE N. VENICE, FL 34275 (941) 480-1600 | | |
| WINDOOR INCORPORATED 104 TRIPLE DIAMOND BLVD. NORTH VENICE, FL 34275; (833) 554-5432 | | REGISTRATION #29296 | | |
| COPYRIGHT © 2021 WINDOOR INC. LIMITED LICENSE TO MAKE COPIES FOR PERMITTING. | | | | |
| Series | Title | Date | | |
| SGD8100A | SLIDING GLASS DOOR - W/WO REINF. - (LMI) | 02/02/21 | | |
| Desc. | INSTALLATION DETAILS | | Drawn By | J ROSOWSKI |
| Sheet | Scale | DWG No. | Rev. | |
| 19 OF 22 | NTS | TDI-8100LM-1 | - | |

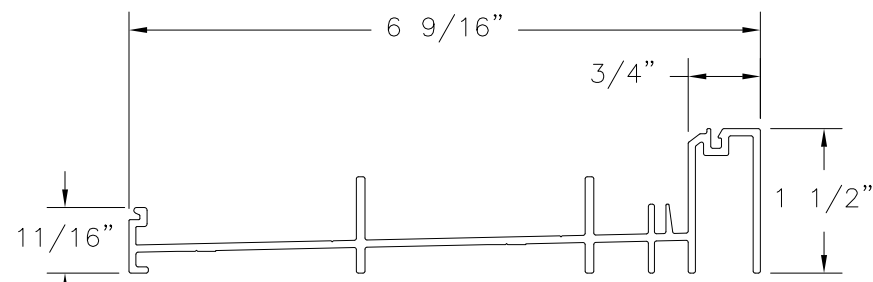
A. Lynn Miller 2/5/21
 A. LYNN MILLER, P.E.
 P.E.# 106954



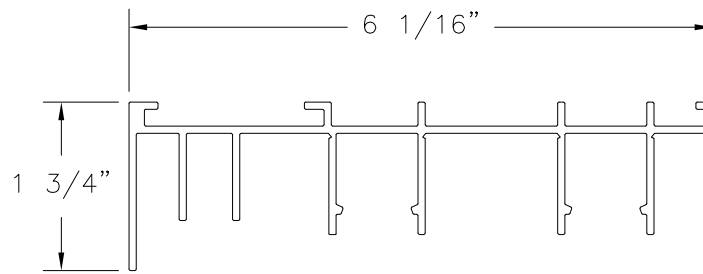
⑧ **3 TRACK FRAME JAMB**
ALUMINUM 6063-T6 .075" THICK



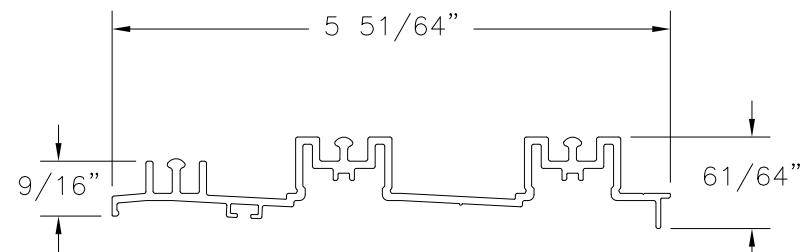
② **2 TRACK WS FRAME JAMB**
ALUMINUM 6063-T6 .075" THICK



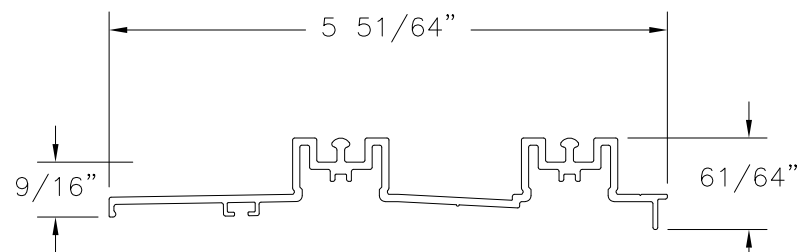
③ **2 TRACK NS/WS SILL PAN**
ALUMINUM 6063-T6 .075" THICK



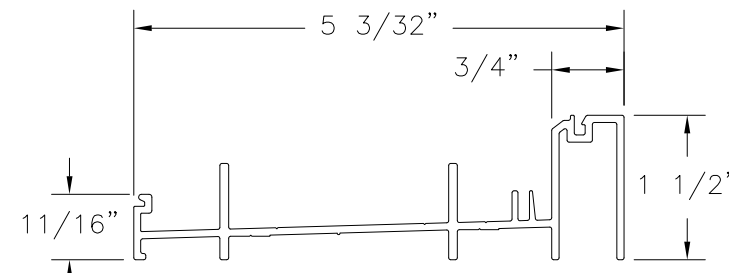
① **2 TRACK WS FRAME HEAD**
ALUMINUM 6063-T6 .075" THICK



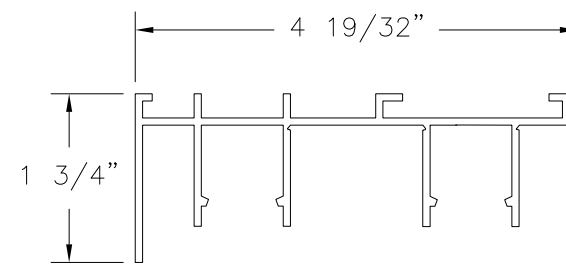
④ **2 TRACK WS SILL INSERT**
ALUMINUM 6063-T6 .075" THICK



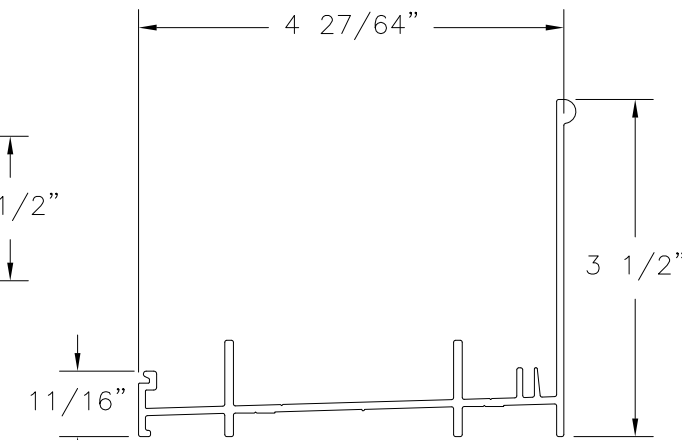
⑥① **2 TRACK NS SILL INSERT**
ALUMINUM 6063-T6 .075" THICK



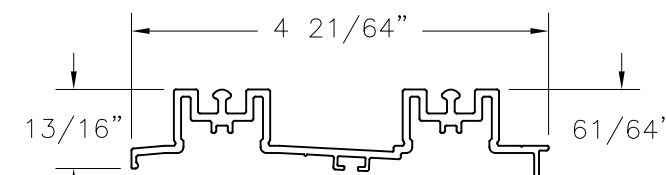
⑤ **2 TRACK SILL PAN**
ALUMINUM 6063-T6 .075" THICK



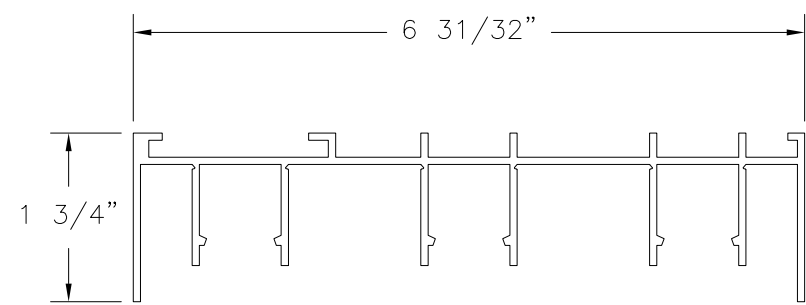
⑧① **2 TRACK FRAME HEAD**
ALUMINUM 6063-T6 .075" THICK



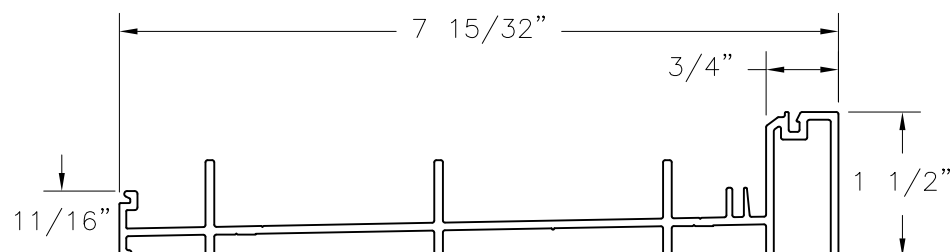
⑥⑨ **2 TRACK RETRO SILL PAN**
ALUMINUM 6063-T6 .075" THICK



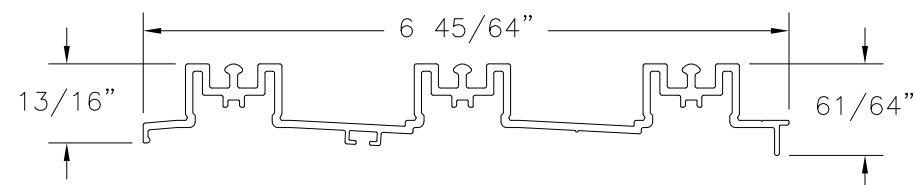
⑥ **2 TRACK SILL INSERT**
ALUMINUM 6063-T6 .075" THICK



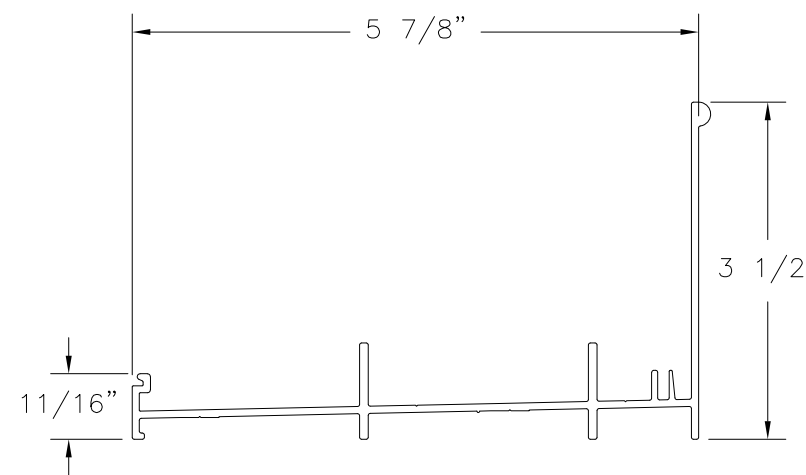
⑦ **3 TRACK FRAME HEAD**
ALUMINUM 6063-T6 .075" THICK



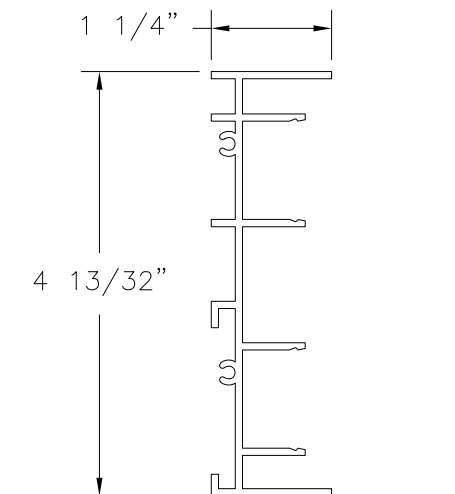
⑨ **3 TRACK SILL PAN**
ALUMINUM 6063-T6 .075" THICK



⑩ **3 TRACK SILL INSERT**
ALUMINUM 6063-T6 .075" THICK



⑦⑩ **2 TRACK WS RETRO SILL PAN**
ALUMINUM 6063-T6 .075" THICK



⑧② **2 TRACK FRAME JAMB**
ALUMINUM 6063-T6 .075" THICK

WinDoor[®]
INCORPORATED

WINDOOR INCORPORATED
104 TRIPLE DIAMOND BLVD.
NORTH VENICE, FL 34275; (833) 554-5432

PREPARED BY A. LYNN MILLER
1070 TECHNOLOGY DRIVE
N. VENICE, FL 34275
(941) 480-1600

REGISTRATION #29296

COPYRIGHT © 2021 WINDOOR INC.
LIMITED LICENSE TO MAKE COPIES FOR PERMITTING.

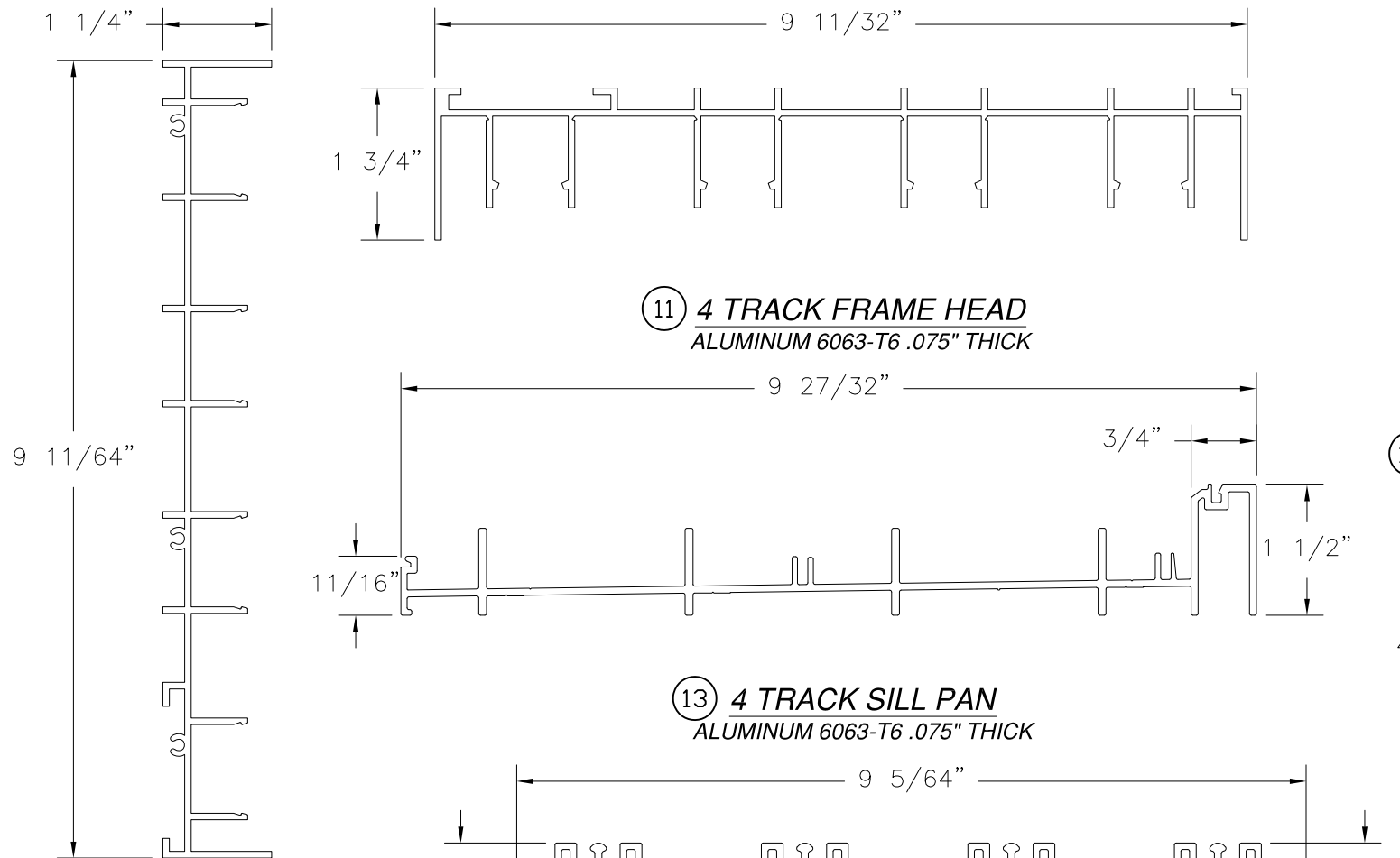
Series/Desc./Title: SLIDING GLASS DOOR - W/WO REINF. - (LMI) Date: 02/02/21

Series/Desc./Title: COMPONENTS Drawn By: J ROSOWSKI

Series/Desc./Title: SGD8100A Scale: NTS Sheet: 20 OF 22 DWG No.: TDI-8100LM-1 Rev: -



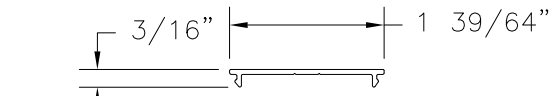
A. Lynn Miller 2/5/21
A. LYNN MILLER, P.E.
P.E.# 106954



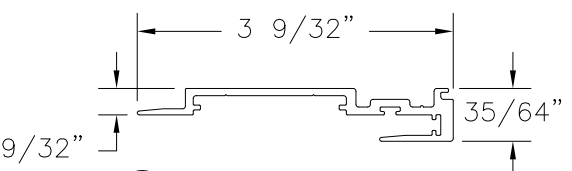
11 4 TRACK FRAME HEAD
 ALUMINUM 6063-T6 .075" THICK

13 4 TRACK SILL PAN
 ALUMINUM 6063-T6 .075" THICK

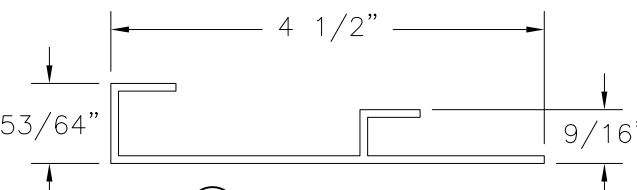
12 4 TRACK FRAME JAMB
 ALUMINUM 6063-T6 .075" THICK



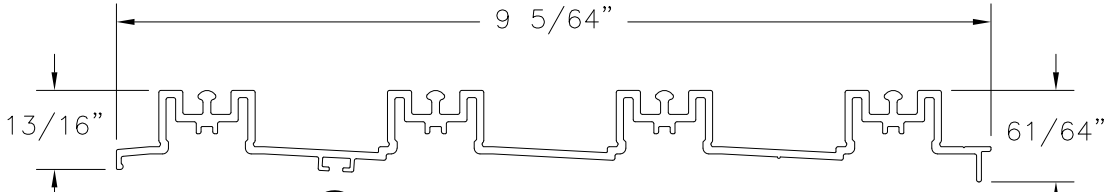
30 INTERLOCK SNAP COVER
 ALUMINUM 6063-T6 .051" THICK



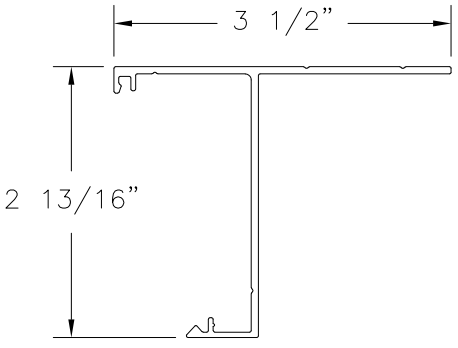
28 PLAIN STILE INTERLOCK
 ALUMINUM 6063-T6 .075" THICK



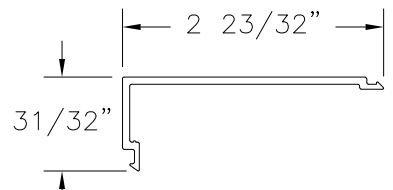
38 HOOK STRIP
 ALUMINUM 6063-T6 .080" THICK



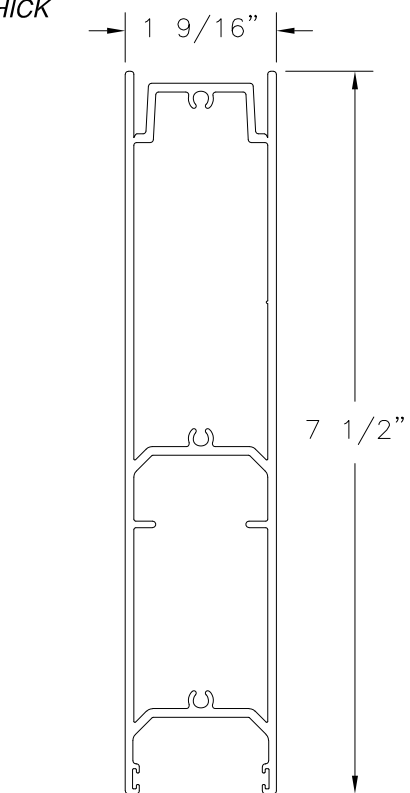
14 4 TRACK SILL INSERT
 ALUMINUM 6063-T6 .075" THICK



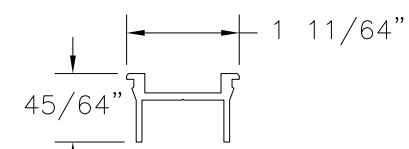
40 HOOK STRIP WALL MOUNT
 ALUMINUM 6063-T6 .075" THICK



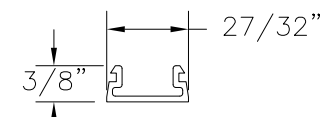
39 HOOK STRIP WALL COVER
 ALUMINUM 6063-T6 .075" THICK



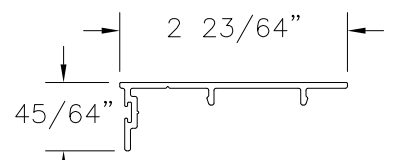
19 TALL BOTTOM RAIL
 ALUMINUM 6063-T6 .080" THICK



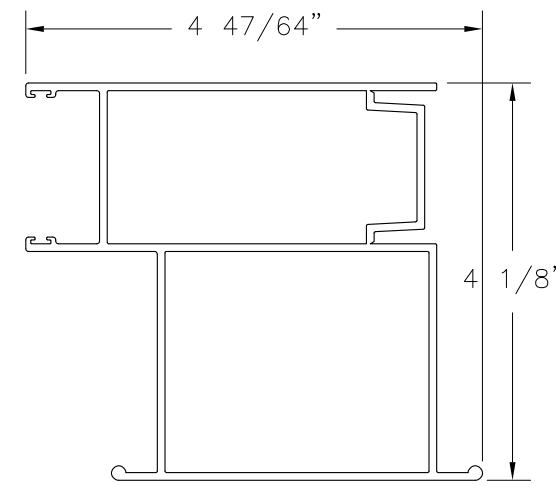
32 PANEL STILE JAMB INSERT
 ALUMINUM 6063-T6 .075" THICK



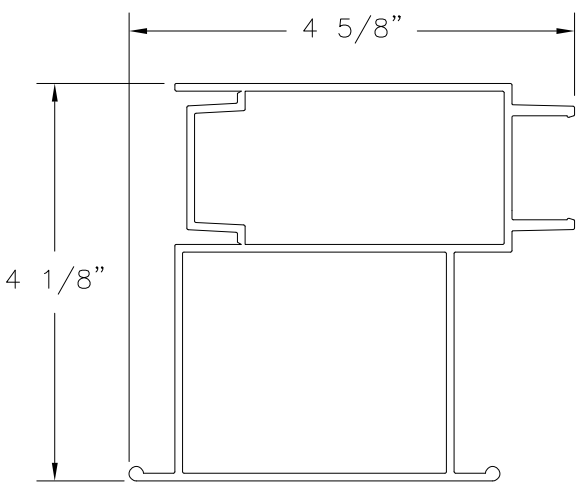
15 FRAME HEAD INSERT
 ALUMINUM 6063-T6 .060" THICK



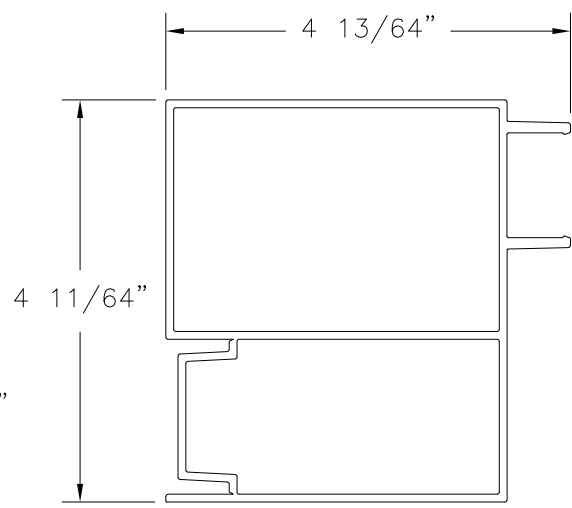
27 BUMPER JAMB INSERT
 ALUMINUM 6063-T6 .060" THICK



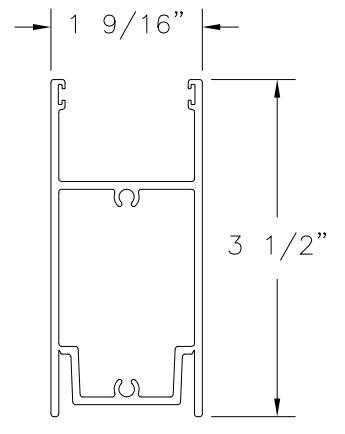
24 MALE BUTT STILE EXT. OFFSET
 ALUMINUM 6063-T6 .080" THICK



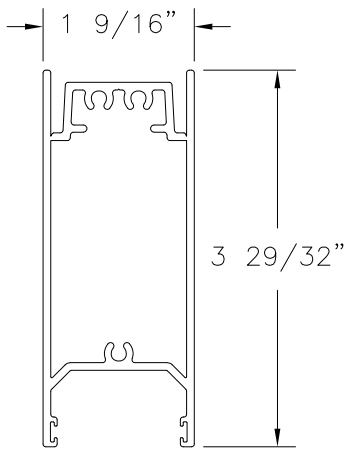
23 FEMALE BUTT STILE EXT. OFFSET
 ALUMINUM 6063-T6 .080" THICK



25 FEMALE BUTT STILE INT. OFFSET
 ALUMINUM 6063-T6 .080" THICK



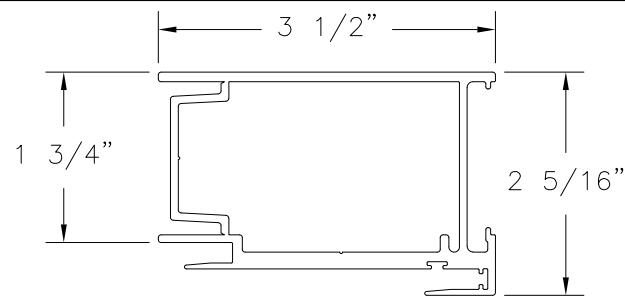
17 TOP RAIL
 ALUMINUM 6063-T6 .080" THICK



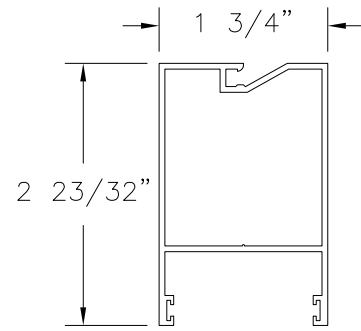
18 BOTTOM RAIL
 ALUMINUM 6063-T6 .080" THICK

| | | | |
|--|--------------------------|--|--------------|
| WinDoor INCORPORATED | | PREPARED BY A. LYNN MILLER 1070 TECHNOLOGY DRIVE N. VENICE, FL 34275 (941) 480-1600 | |
| WINDOOR INCORPORATED 104 TRIPLE DIAMOND BLVD. NORTH VENICE, FL 34275; (833) 554-5432 | | REGISTRATION #29296 | |
| COPYRIGHT © 2021 WINDOOR INC. LIMITED LICENSE TO MAKE COPIES FOR PERMITTING. | | | |
| Series | Desc. | Date | Drawn By |
| SLD | GLD - WWO REINF. - (LMI) | 02/02/21 | J ROSOWSKI |
| SGD8100A | COMPONENTS | DWG No. | TDI-8100LM-1 |
| Scale | NTS | Sheet | 21 OF 22 |
| Rev. | - | | |

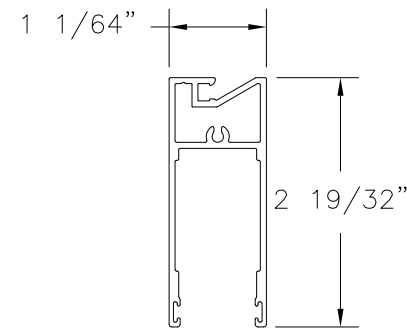
STATE OF TEXAS
 ★
 ANTHONY LYNN MILLER
 106954
 LICENSED PROFESSIONAL ENGINEER
A. Lynn Miller 2/5/21
 A. LYNN MILLER, P.E.
 P.E.# 106954



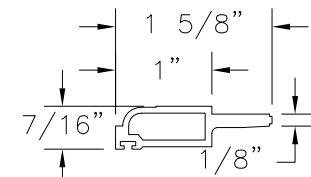
22 INTERLOCK STILE
ALUMINUM 6063-T6 .080" THICK



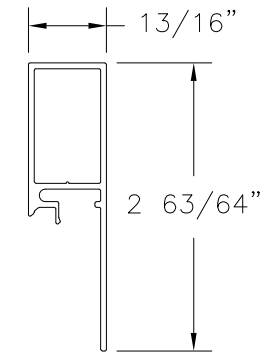
73 MT SCREEN STILE
ALUMINUM 6063-T6 .060" THICK



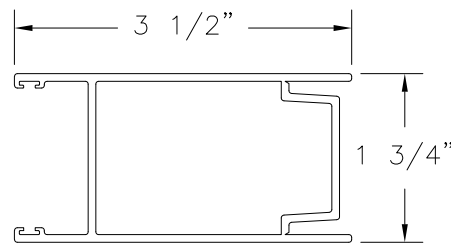
76 BOX SCREEN TOP/BOTTOM RAIL
ALUMINUM 6063-T6 .062" THICK



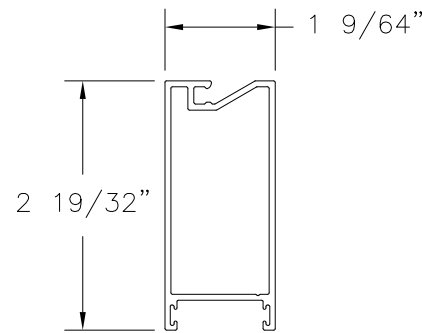
41 9/16" HORIZONTAL GLASS STOP
ALUMINUM 6063-T6 .070" THICK



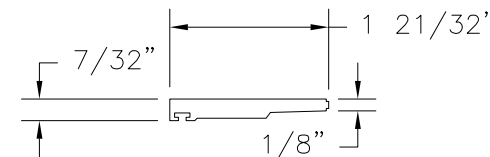
35 3" SILL RISER
ALUMINUM 6063-T6 .060" THICK



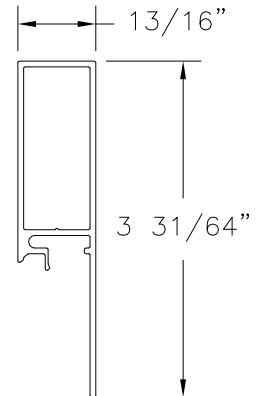
21 LOCK STILE
ALUMINUM 6063-T6 .080" THICK



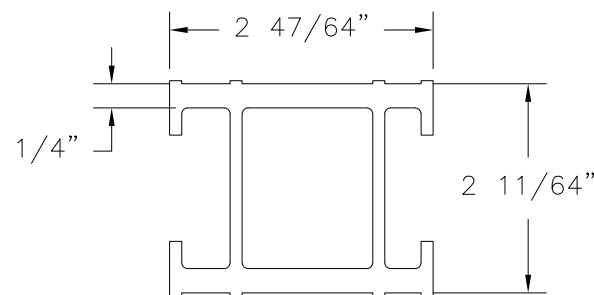
73 BOX SCREEN STILE
ALUMINUM 6063-T6 .062" THICK



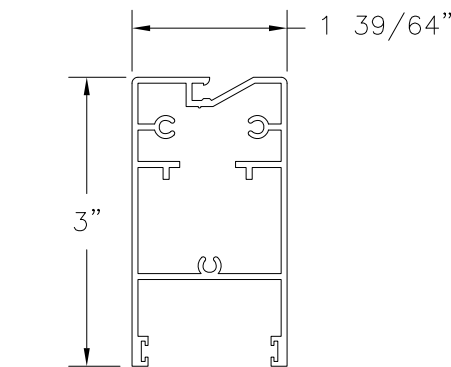
44 1" VERTICAL GLASS STOP
ALUMINUM 6063-T6 .20" THICK



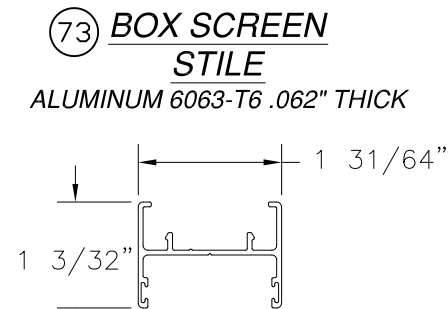
36 3 1/2" SILL RISER
ALUMINUM 6063-T6 .060" THICK



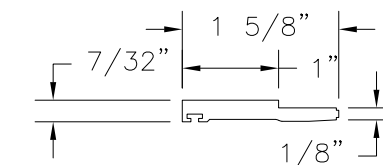
47 FEMALE BUTT STILE REINFORCING BAR
ALUMINUM 6063-T6 .125" THICK



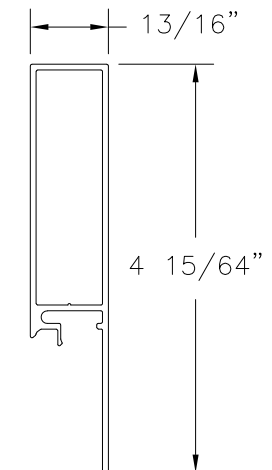
72 MT SCREEN TOP/BOTTOM RAIL
ALUMINUM 6063-T6 .060" THICK



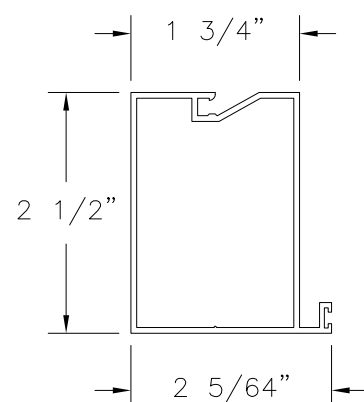
79 BOX SCREEN ASTRAGAL
ALUMINUM 6063-T6 .050" THICK



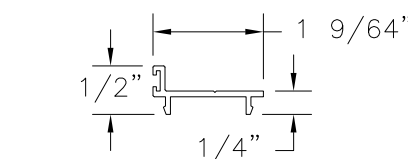
43 1" HORIZONTAL GLASS STOP
ALUMINUM 6063-T6 .20" THICK



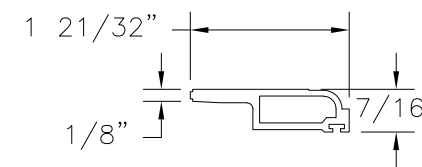
37 4 1/4" SILL RISER
ALUMINUM 6063-T6 .060" THICK



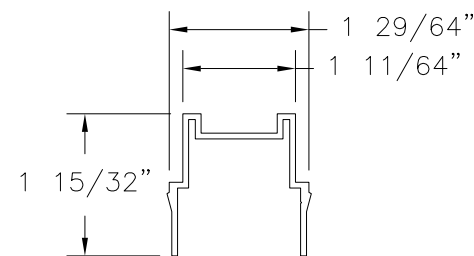
74 MT SCREEN STILE W/SEAL
ALUMINUM 6063-T6 .060" THICK



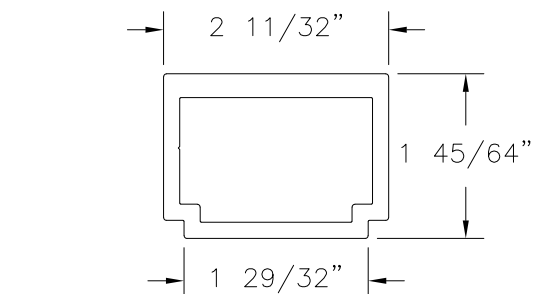
78 BOX SCREEN SWEEP
ALUMINUM 6063-T6 .060" THICK



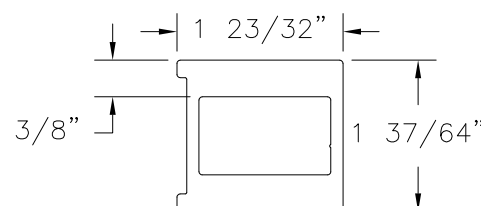
42 9/16" VERTICAL GLASS STOP
ALUMINUM 6063-T6 .070" THICK



75 MT SCREEN ASTRAGAL
ALUMINUM 6063-T6 .060" THICK



46 INTERLOCK REINFORCING BAR
ALUMINUM 6063-T6 .168" THICK



45 6000 BUTT STILE REINFORCING BAR
ALUMINUM 6063-T6 .127" THICK

| | | | | |
|--|-------------------------------|--|--------------------------------|------------------|
| | | PREPARED BY A. LYNN MILLER 1070 TECHNOLOGY DRIVE N. VENICE, FL 34275 (941) 480-1600 | | |
| WINDOOR INCORPORATED 104 TRIPLE DIAMOND BLVD. NORTH VENICE, FL 34275; (833) 554-5432 | | REGISTRATION #29296 | | |
| COPYRIGHT © 2021 WINDOOR INC. LIMITED LICENSE TO MAKE COPIES FOR PERMITTING. | | | | |
| Title SLIDING GLASS DOOR - W/WO REINF. - (LMI) | Date 02/02/21 | | | |
| Series Desc. COMPONENTS | Drawn By J ROSOWSKI | | | |
| Series SGD8100A | Scale NTS | Sheet 22 OF 22 | DWG No. TDI-8100LM-1 | Rev. - |

A. Lynn Miller 2/5/21
 A. LYNN MILLER, P.E.
 P.E.# 106954