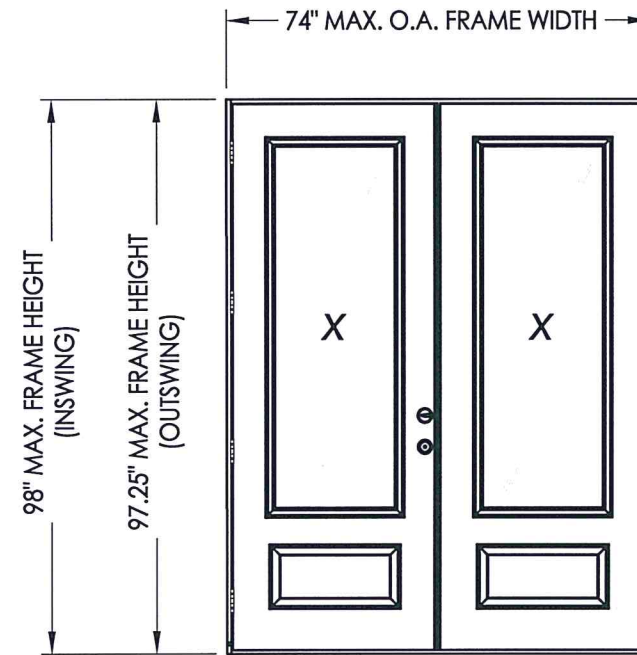


### GLAZED FIBERGLASS DOUBLE DOOR INSWING / OUTSWING "NON-IMPACT"



#### EVALUATED FOR USE IN THE STATE OF TEXAS

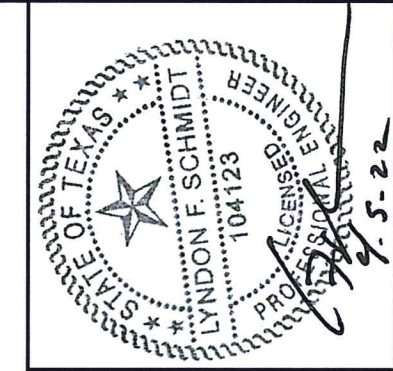
The Fiberglass Door system described herein complies with the 2018 International Residential Code (IRC), Sections R301 & R609 and the 2018 International Building Code (IBC), Sections 1404.13, 1609, 1709.5, 2403 and 2404 subject to the following conditions:

1. Anchors shall be as listed and spaced as shown in the details. Anchor embedment to base material shall be beyond wall dressing or stucco.
2. When used in areas requiring wind-borne debris protection this product is required to be protected with an impact resistant covering that complies with Section R301.2.1.2 of the IRC and Section 1609.1.2 of the IBC.
3. Allowable design pressure requirements must be equal to or less than the design pressure rating shown in the design pressure chart, sheet 1 of this drawing.
4. Conditions not covered by this drawing are subject to further engineering analysis.

#### TABLE OF CONTENTS

SHEET #	DESCRIPTION
1	Typical Elevations, Design Pressures & General Notes
2	Door Panel Details
3	Elevations
4	Horizontal & Vertical Cross Sections
5	Vertical Cross Sections
6	Frame Anchoring & Hardware Details
7	Lite Frame & Glazing Details
8	Bill of Materials & Components

CONFIGURATION	DESIGN PRESSURE (PSF) INSWING		DESIGN PRESSURE (PSF) OUTSWING	
	POSITIVE	NEGATIVE	POSITIVE	NEGATIVE
XX	+45.0	-50.0	+45.0	-45.0



Documents Prepared By: Lyndon F. Schmidt, P.E.  
TEXAS P.E. #104123

**RW** BUILDING CONSULTANTS, INC.  
P.O. Box 230 Valrico FL, 33595  
Phone No.: 813.659.9197

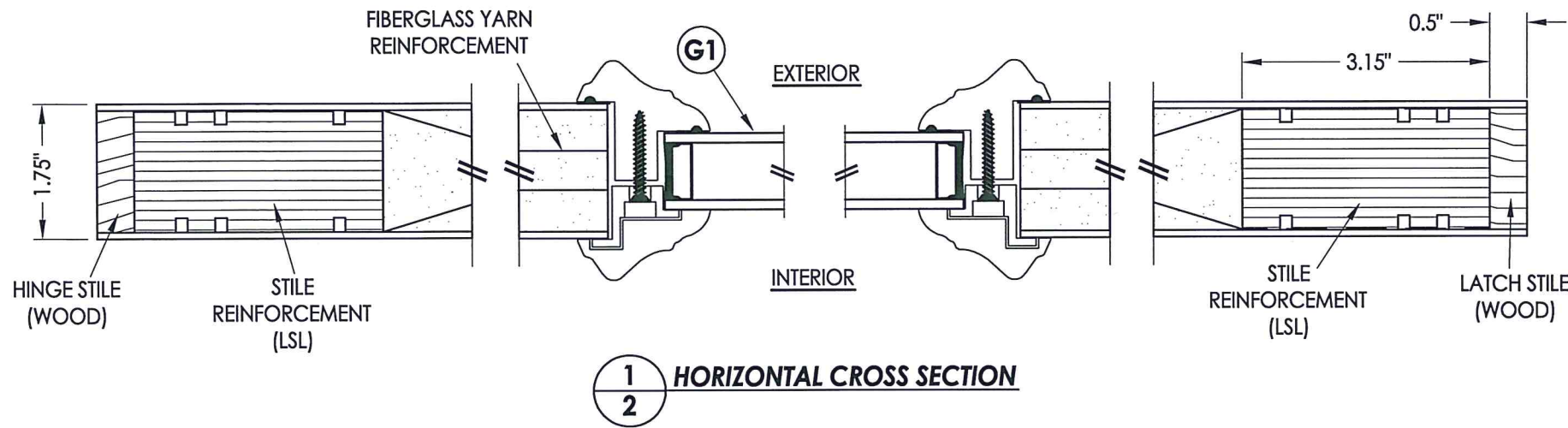
TEXAS BOARD OF PROFESSIONAL ENGINEERS  
CERTIFICATE OF REGISTRATION # F-11852

PRODUCT: GLASSCRAFT FIBERGLASS DOOR  
PART OR ASSEMBLY: TYPICAL ELEVATION, DESIGN PRESSURES & GENERAL NOTES

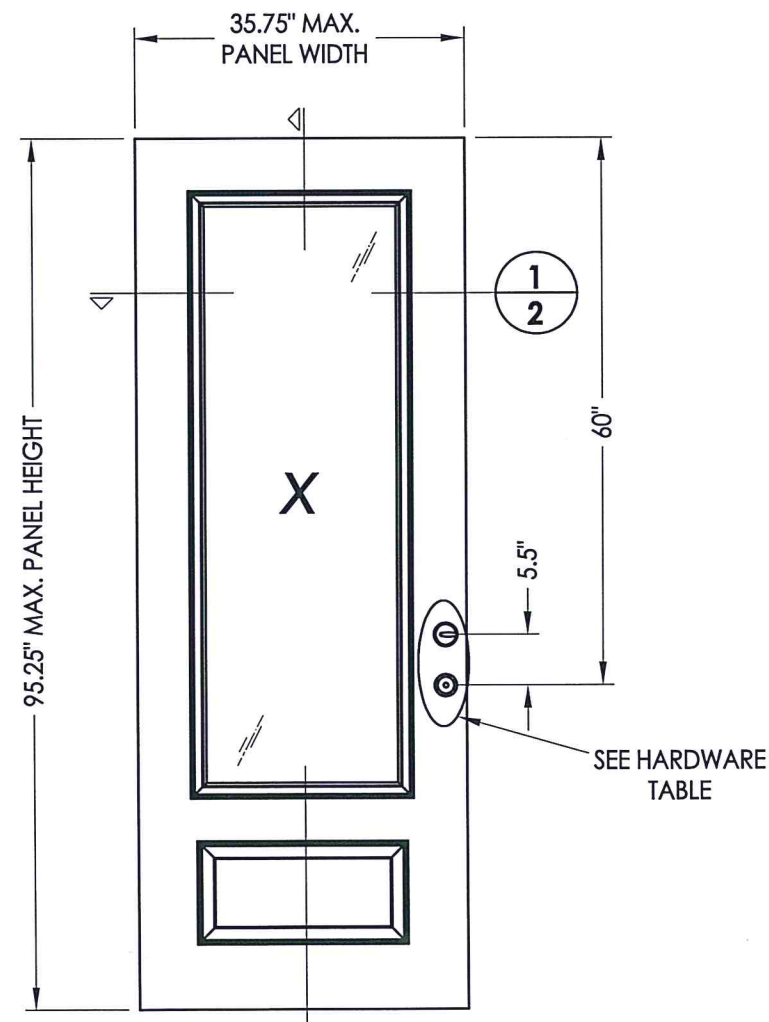
NO.	DATE	BY	REVISIONS

DATE: 4/01/22  
SCALE: N.T.S.  
DWG. BY: LFS  
CHK. BY: RW  
DRAWING NO.: TX-5268  
SHEET 1 OF 8

Z:\Clients\GlassCraft\B - Texas Dept of Ins\TDI - DR-XXXX 8-0 FG Non-Impact\C - Drawings\TX-5268.dwg



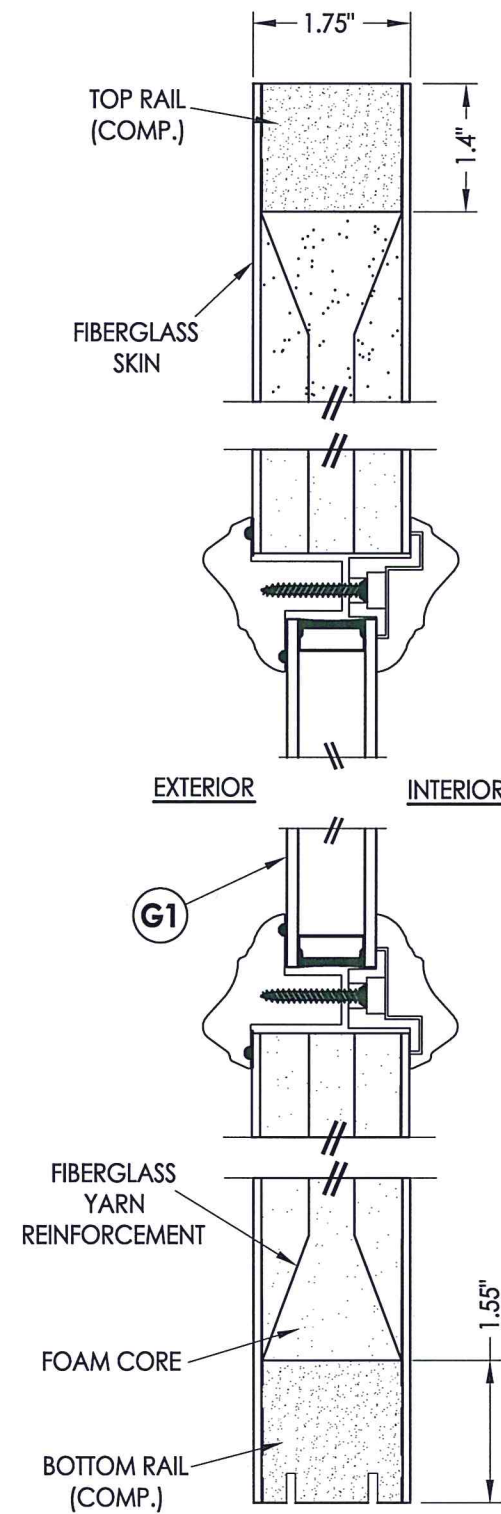
**1**  
**2** HORIZONTAL CROSS SECTION



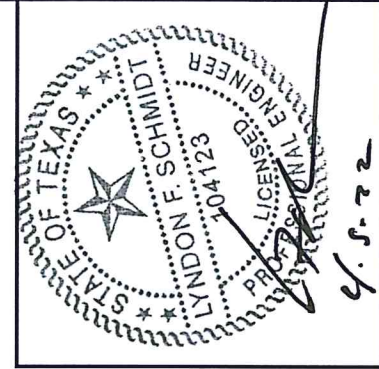
**40** GLAZED DOOR PANEL  
Fiberglass

DOOR SKIN: 0.090" MIN. THK. FIBERGLASS  
CORE MATERIAL: POLYURETHANE FOAM

HARDWARE CHART		
MANUFACTURER	MODEL	
KWIKSET	KNOB:	SIGNATURE SERIES
	DEADBOLT:	SIGNATURE SERIES (980)
SCHLAGE	KNOB:	F SERIES
	DEADBOLT:	B60 SERIES



**2**  
**2** VERTICAL CROSS SECTION



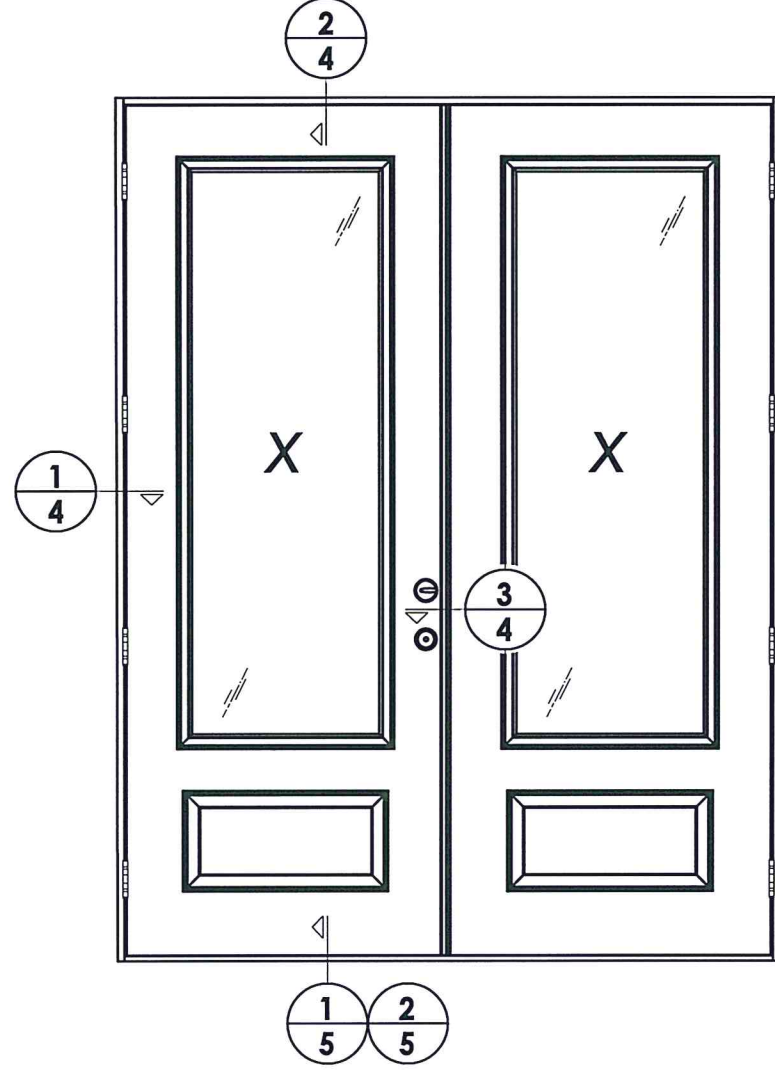
Documents Prepared By: Lyndon F. Schmidt, P.E.  
TEXAS P.E. #104123

**RW** BUILDING CONSULTANTS, INC.  
P.O. Box 230 Valrico FL 33595  
Phone No.: 813.659.9197  
TEXAS BOARD OF PROFESSIONAL ENGINEERS  
CERTIFICATE OF REGISTRATION # F-11852

PRODUCT: GLASSCRAFT FIBERGLASS DOOR  
PART OR ASSEMBLY: DOOR PANEL DETAILS

NO.	DATE	BY	REVISIONS

DATE: 4/01/22  
SCALE: N.T.S.  
DWG. BY: LFS  
CHK. BY: RW  
DRAWING NO.: TX-5268  
SHEET 2 OF 8



Documents Prepared By: Lyndon F. Schmidt, P.E.  
TEXAS P.E. #104123

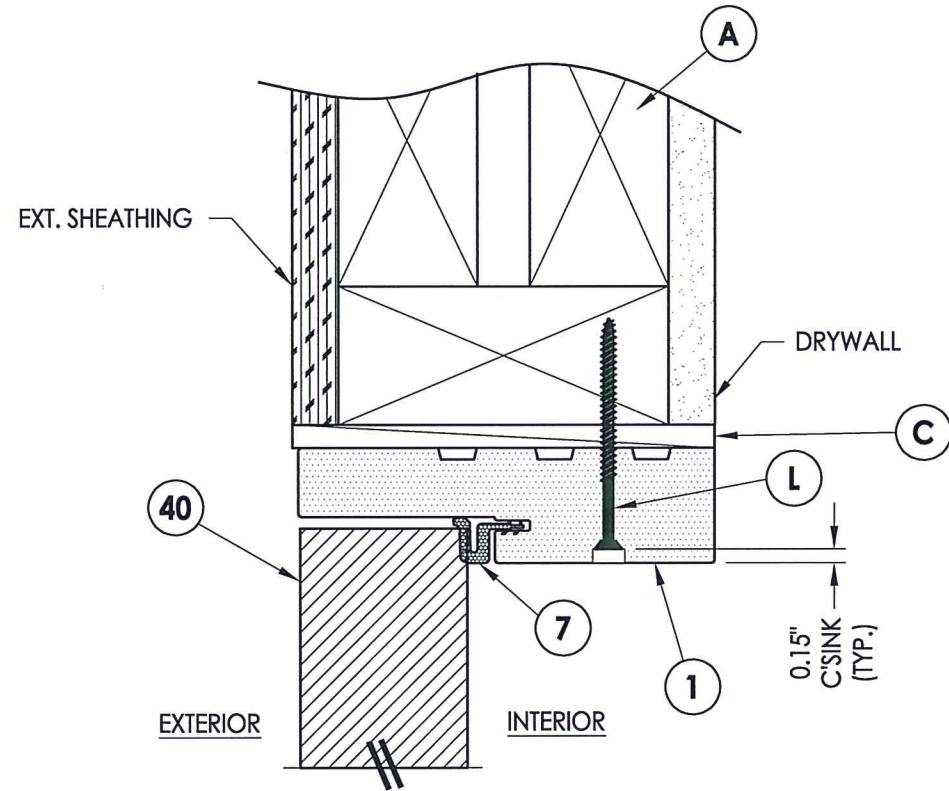
**RW** BUILDING CONSULTANTS, INC.  
P.O. Box 230 Vairico FL 33595  
Phone No.: 813.659.9197

TEXAS BOARD OF PROFESSIONAL ENGINEERS  
CERTIFICATE OF REGISTRATION # F-11852

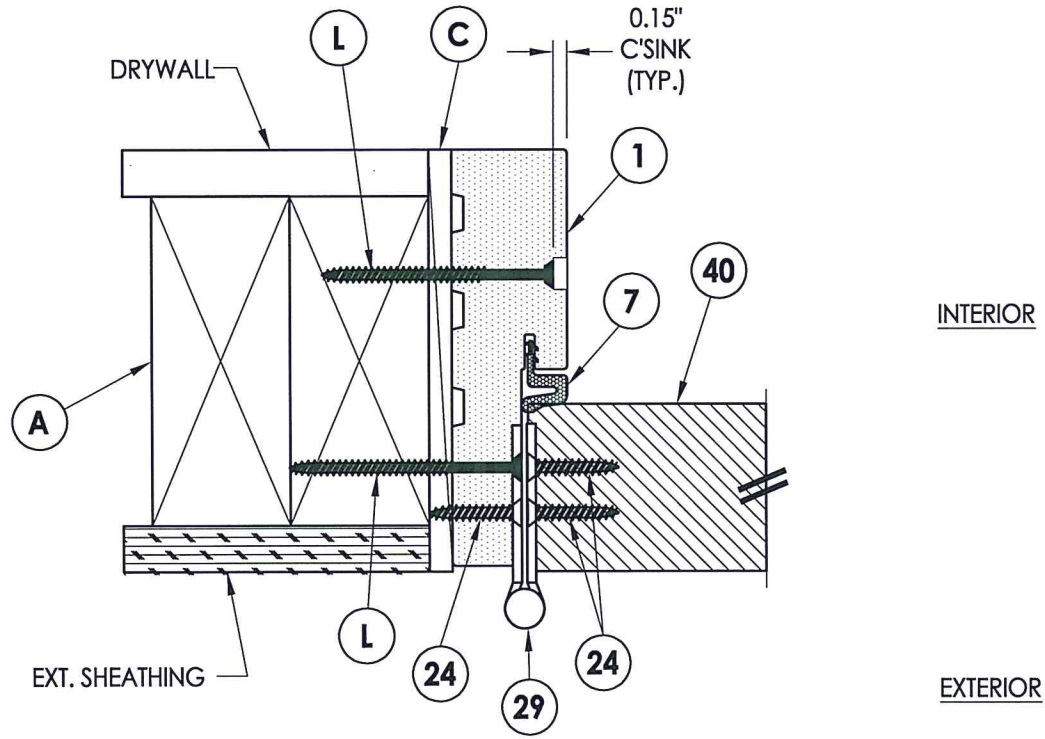
PRODUCT: GLASSCRAFT FIBERGLASS DOOR  
PART OR ASSEMBLY: ELEVATIONS

NO.	DATE	REVISIONS	BY

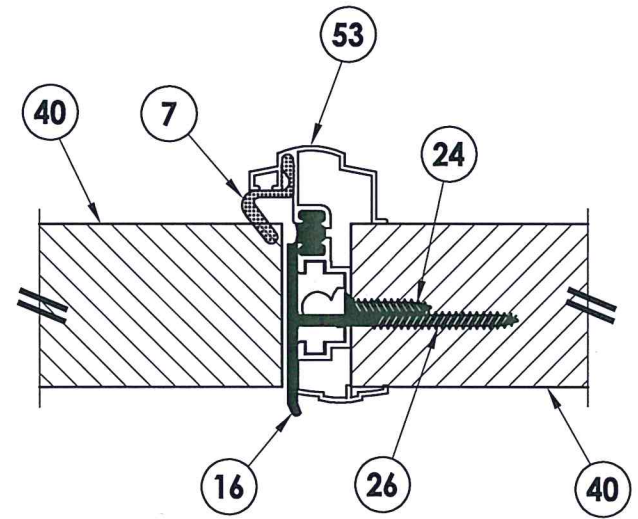
DATE: 4/01/22  
SCALE: N.T.S.  
DWG. BY: LFS  
CHK. BY: RW  
DRAWING NO.: TX-5268  
SHEET 3 OF 8



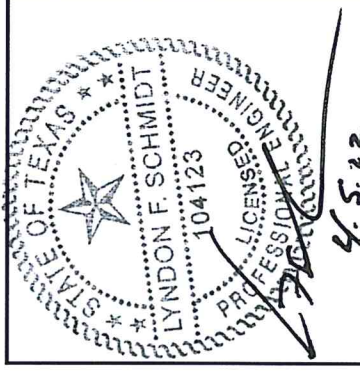
**2 VERTICAL CROSS SECTION**  
 4 Outswing shown - Inswing also approved



**1 HORIZONTAL CROSS SECTION**  
 4 Outswing shown - Inswing also approved



**3 HORIZONTAL CROSS SECTION**  
 4 Outswing shown - Inswing also approved



Documents Prepared By: Lyndon F. Schmidt, P.E.  
 TEXAS P.E. #104123

**RW** BUILDING CONSULTANTS, INC.  
 P.O. Box 230 Valrico FL 33595  
 Phone No.: 813.659.9197

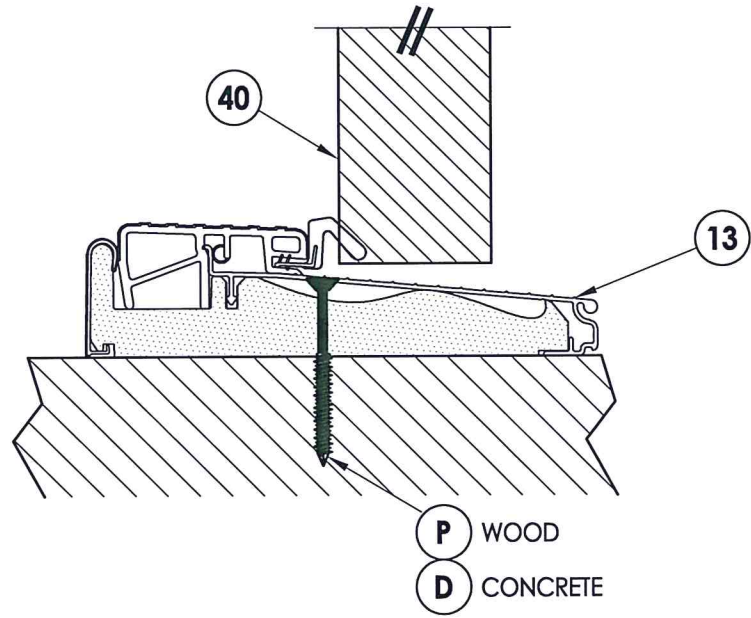
TEXAS BOARD OF PROFESSIONAL ENGINEERS  
 CERTIFICATE OF REGISTRATION # F-11852

PRODUCT: GLASSCRAFT FIBERGLASS DOOR

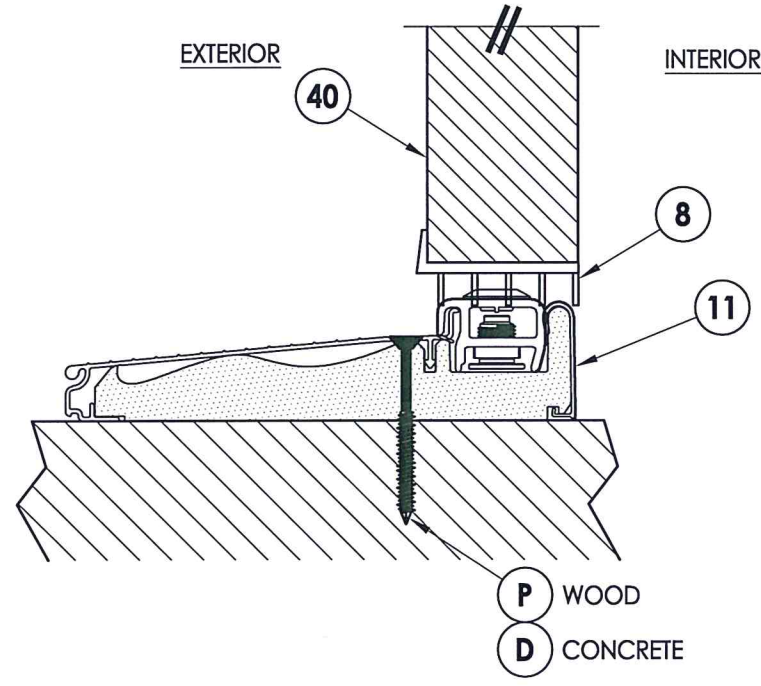
PART OR ASSEMBLY: HORIZONTAL & VERTICAL CROSS SECTIONS

NO.	DATE	BY	REVISIONS

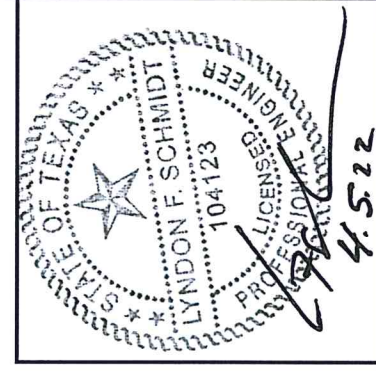
DATE: 4/01/22  
 SCALE: N.T.S.  
 DWG. BY: LFS  
 CHK. BY: RW  
 DRAWING NO.: TX-5268  
 SHEET 4 OF 8



**1** VERTICAL CROSS SECTION  
**5** Outswing sill



**2** VERTICAL CROSS SECTION  
**5** Inswing sill



Documents Prepared By: Lyndon F. Schmidt, P.E.  
TEXAS P.E. #104123

**RW** BUILDING CONSULTANTS, INC.  
P.O. Box 230 Valrico FL, 33595  
Phone No.: 813.659.9197

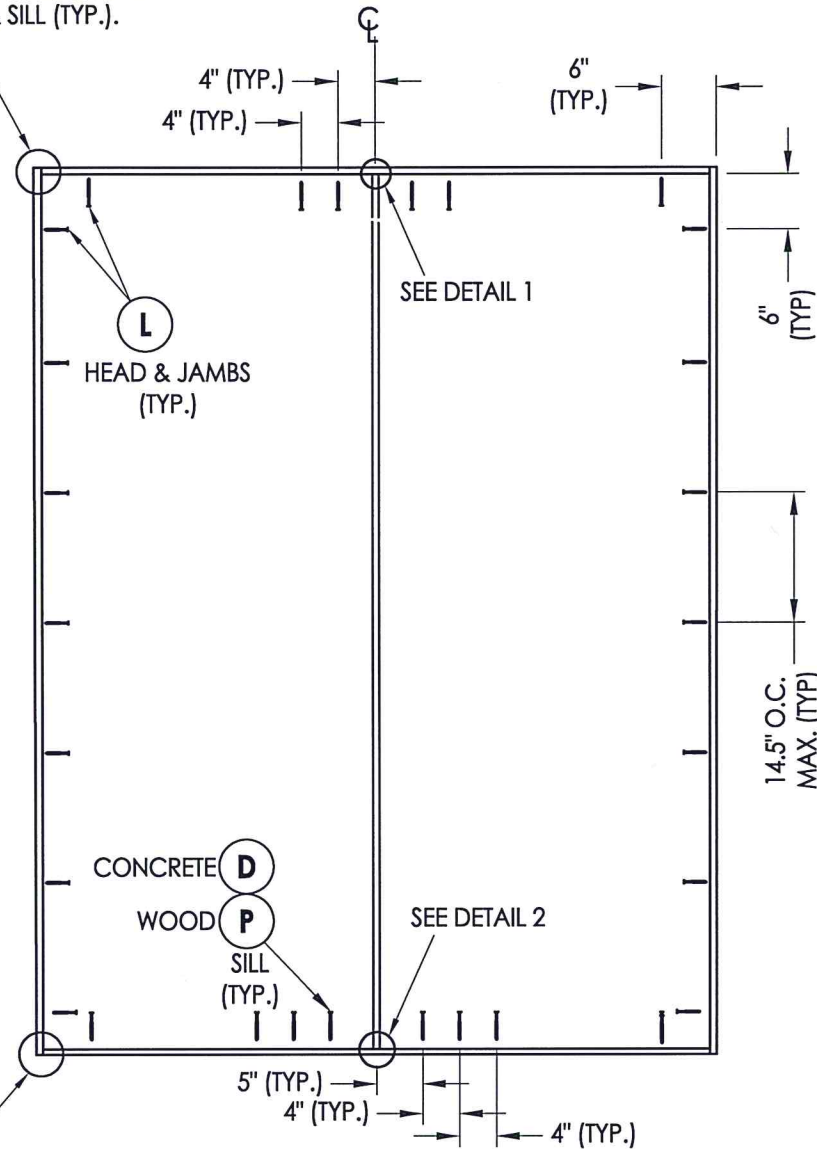
TEXAS BOARD OF PROFESSIONAL ENGINEERS  
CERTIFICATE OF REGISTRATION # F-11852

PRODUCT:	GLASSCRAFT FIBERGLASS DOOR
PART OR ASSEMBLY:	VERTICAL CROSS SECTIONS

NO.	DATE	BY	REVISIONS

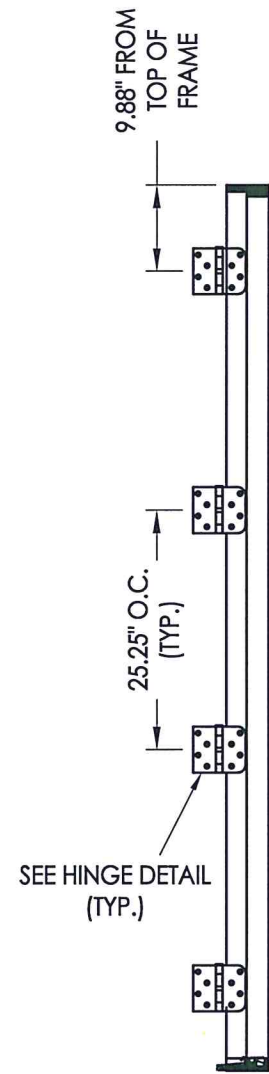
DATE: 4/01/22  
SCALE: N.T.S.  
DWG. BY: LFS  
CHK. BY: RW  
DRAWING NO.: TX-5268  
SHEET 5 OF 8

NOTE: FRAME CORNERS ATTACHED  
w/ (3) #9 X 3" FH DECK SCREWS @  
HEAD & SILL (TYP.).

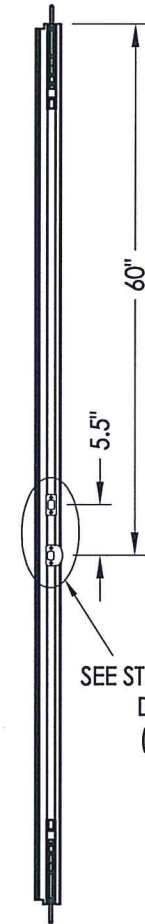


**FRAME ANCHORING**

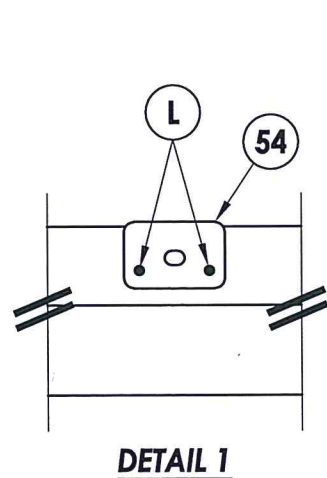
OPTIONAL 1-1/2" PVC JAMB BOOT  
ATTACHED TO JAMB & TO SILL w/ (3)  
#9 X 3" FH DECK SCREWS EACH (TYP.)



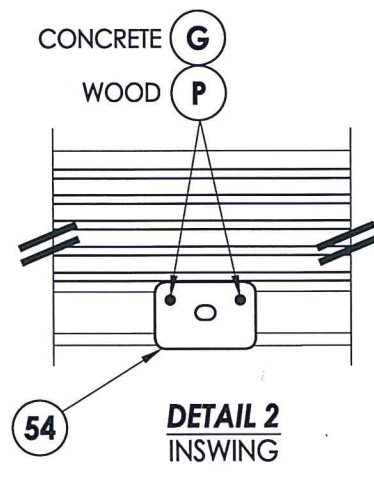
**HINGE JAMB**  
8'-0" DOOR



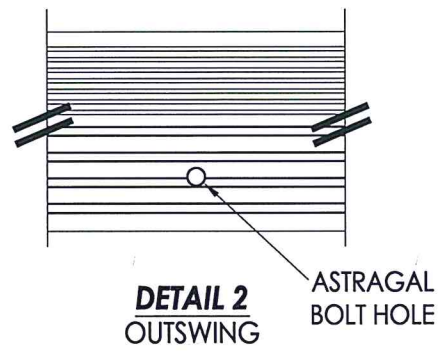
**ASTRAGAL**



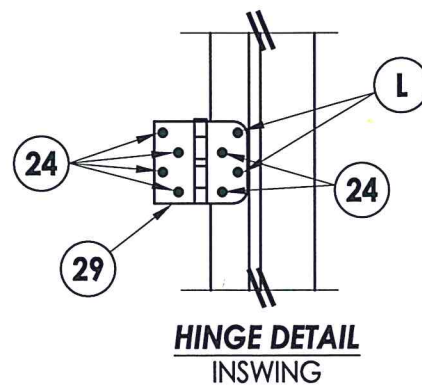
**DETAIL 1**



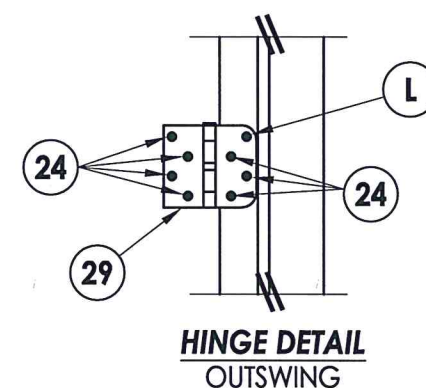
**DETAIL 2**  
INSWING



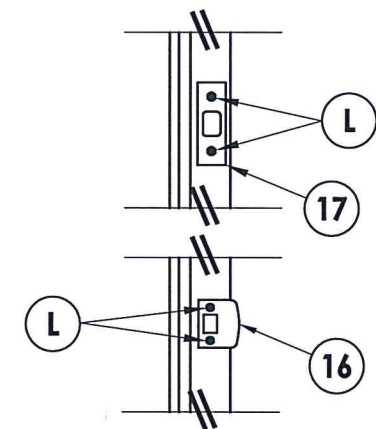
**DETAIL 2**  
OUTSWING  
ASTRAGAL  
BOLT HOLE



**HINGE DETAIL**  
INSWING



**HINGE DETAIL**  
OUTSWING



**STRIKE PLATE DETAIL**



Documents Prepared By: Lyndon F. Schmidt, P.E.  
TEXAS P.E. #104123

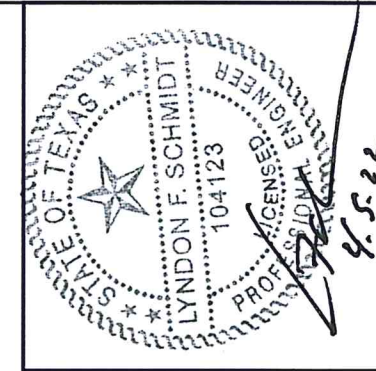
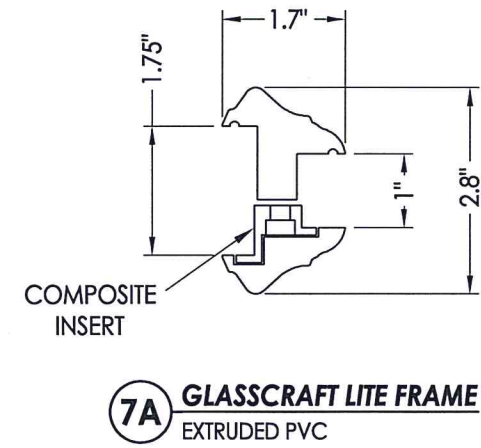
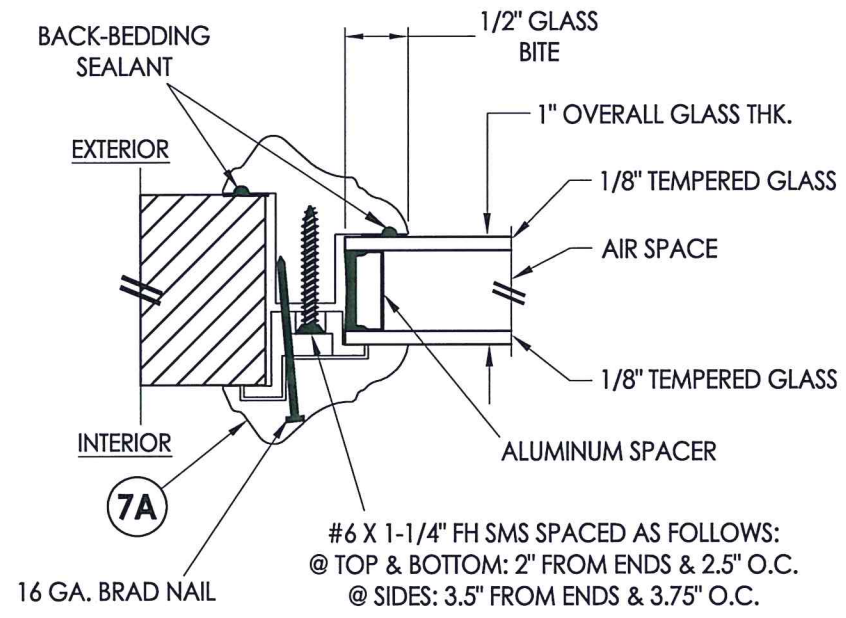
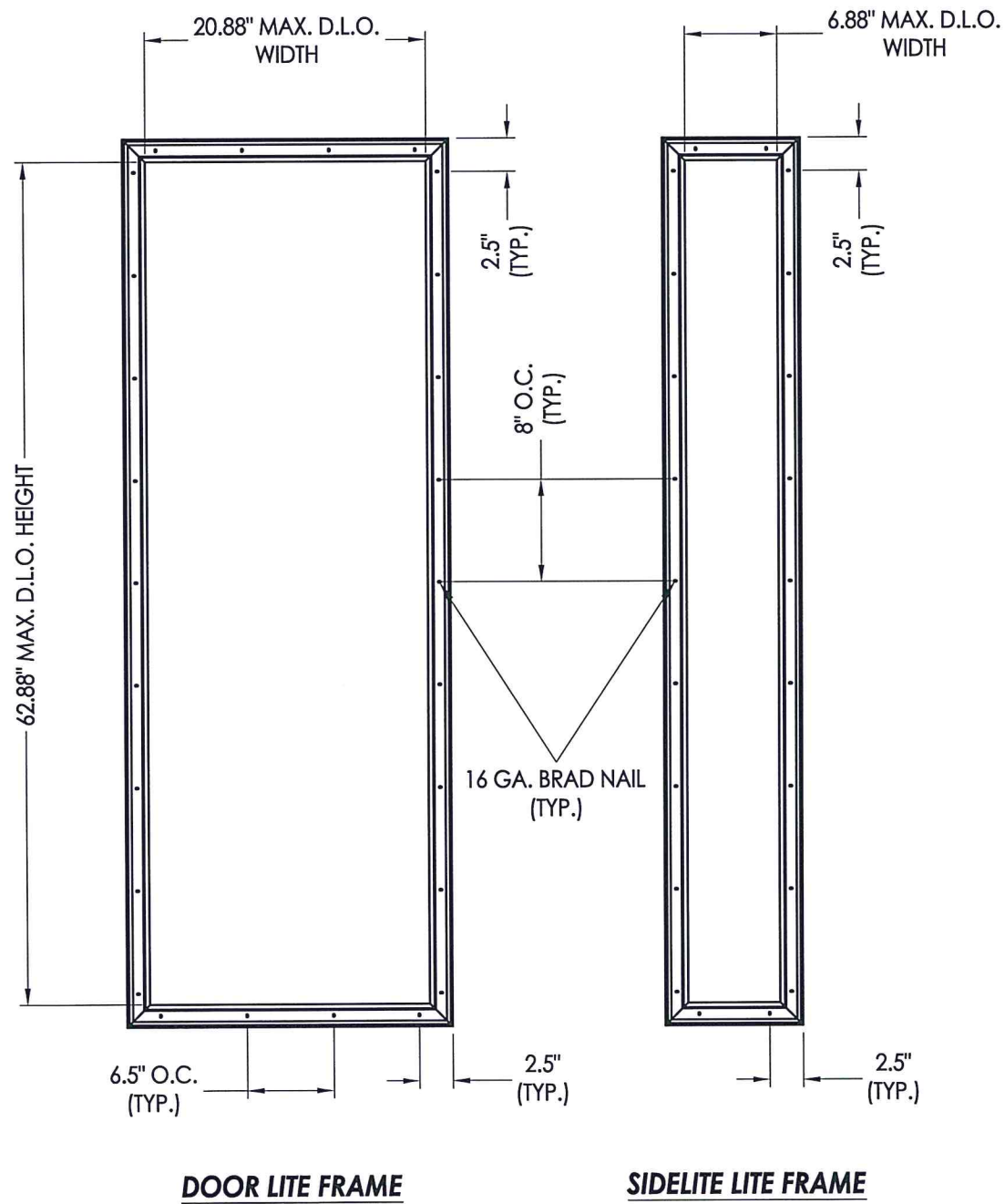
**RW** BUILDING CONSULTANTS, INC.  
P.O. Box 230 Valrico FL 33595  
Phone No.: 813.659.9197  
TEXAS BOARD OF PROFESSIONAL ENGINEERS  
CERTIFICATE OF REGISTRATION # F-11852

PRODUCT: GLASSCRAFT  
FIBERGLASS DOOR  
PART OR ASSEMBLY:  
FRAME ANCHORING  
& HARDWARE DETAILS

NO.	DATE	BY	REVISIONS

DATE: 4/01/22  
SCALE: N.T.S.  
DWG. BY: LFS  
CHK. BY: RW  
DRAWING NO.:  
TX-5268

SHEET 6 OF 8



Documents Prepared By: Lyndon F. Schmidt, P.E.  
 TEXAS P.E. #104123

**RW** BUILDING CONSULTANTS, INC.  
 P.O. Box 230 Valrico FL 33595  
 Phone No.: 813.659.9197

TEXAS BOARD OF PROFESSIONAL ENGINEERS  
 CERTIFICATE OF REGISTRATION # F-11852

PRODUCT: GLASSCRAFT FIBERGLASS DOOR

PART OR ASSEMBLY: LITE FRAME & GLAZING DETAILS

NO.	DATE	BY	REVISIONS

DATE: 4/01/22

SCALE: N.T.S.

DWG. BY: LFS

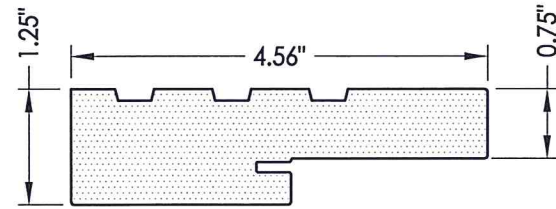
CHK. BY: RW

DRAWING NO.: TX-5268

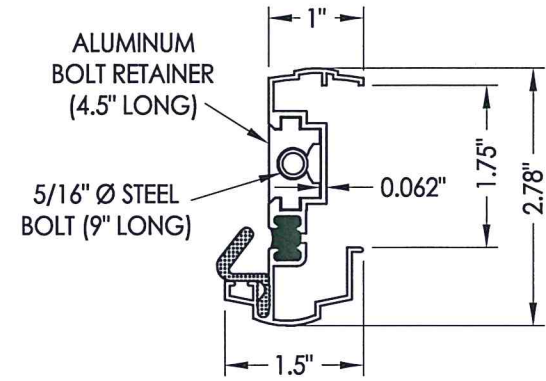
SHEET 7 OF 8

**BILL OF MATERIALS**

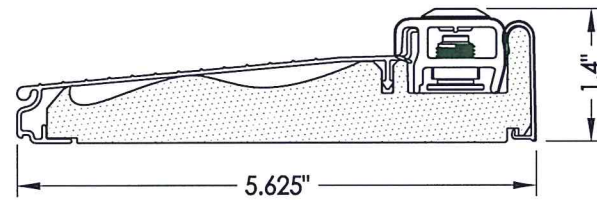
ITEM #	DESCRIPTION	MATERIAL
A	2X FRAMING (G >= 0.42)	WOOD
C	1/4" MAX. SHIM SPACE	-
D	1/4" Ø PFH DeWALT OR ITW CONCRETE SCREW (1-3/4" MIN. EMBEDMENT)	STEEL
G	3/16" Ø PFH DeWALT OR ITW CONCRETE SCREW (1-3/4" MIN. EMBEDMENT)	STEEL
L	#10 X 2-1/2" PFH WS (1.15" MIN. EMBEDMENT)	STEEL
P	#10 PFH WOOD SCREW (1-1/2" MIN. EMB.)	STEEL
1	COMPOSITE JAMB	COMP
7	WEATHERSTRIP	FOAM
8	DOOR BOTTOM SWEEP	PVC
11	INSWING THRESHOLD	ALUM/ COMP
13	OUTSWING THRESHOLD	ALUM/ COMP
16	LATCH STRIKE PLATE	STEEL
17	DEADBOLT STRIKE PLATE	STEEL
24	#9 X 1" PFH WS	STEEL
26	#10 X 2" PFH WS	STEEL
27	#8 X 2-1/2" PFH WOOD SCREW	STEEL
29	4" X 4" HINGE	STEEL
40	DOOR PANEL	-
53	ALUMINUM ASTRAGAL	-
54	ASTRAGAL STRIKE PLATE	-



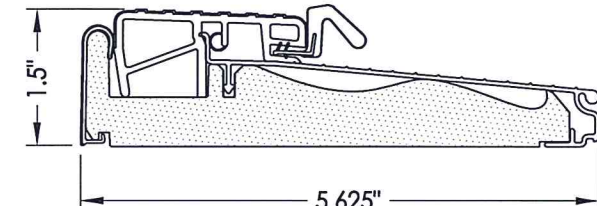
**1 COMPOSITE JAMB**



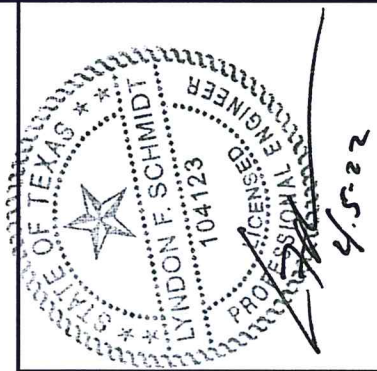
**53 ASTRAGAL**  
Quantex



**11 INSWING THRESHOLD**  
ENDURA



**13 OUTSWING THRESHOLD**  
ENDURA



Documents Prepared By: Lyndon F. Schmidt, P.E.  
TEXAS P.E. #104123

**RW** BUILDING CONSULTANTS, INC.  
P.O. Box 230 Valrico FL, 33595  
Phone No.: 813.659.9197

TEXAS BOARD OF PROFESSIONAL ENGINEERS  
CERTIFICATE OF REGISTRATION # F-11852

PRODUCT: GLASSCRAFT FIBERGLASS DOOR

PART OR ASSEMBLY: BILL OF MATERIALS & COMPONENTS

NO.	DATE	BY

DATE: 4/01/22

SCALE: N.T.S.

DWG. BY: LFS

CHK. BY: RW

DRAWING NO.: TX-5268

SHEET 8 OF 8

**CONCRETE ANCHOR NOTES:**

- Concrete anchor locations at the corners may be adjusted to maintain the min. edge distance to mortar joints.
- Concrete anchor locations noted as "MAX. ON CENTER" must be adjusted to maintain the min. edge distance to mortar joints, additional concrete anchors may be required to ensure the "MAX. ON CENTER" dimension are not exceeded.
- Concrete anchor table:

ANCHOR TYPE	ANCHOR SIZE	MIN. EMBEDMENT	MIN. CLEARANCE TO MASONRY EDGE	MIN. CLEARANCE TO ADJACENT ANCHOR
ITW BUILDEX TAPCON®	3/16"	1-3/4"	3"	1-1/2"
	1/4"	1-3/4"	2"	4"
ELCO ULTRACON®	1/4"	1-3/4"	1"	4"

**WOOD SCREW INSTALLATION NOTES:**

- Maintain a minimum 5/8" edge distance, 1" end distance, & 1" o.c. spacing of wood screws to prevent the splitting of wood.