


Notes:

1. This is a special configuration we will not sell to customers. This is being tested to qualify numerous other configurations.
2. Test sample to come with screens.
3. Color to be white.
4. Test I.D. frame size to be 190 5/8" x 120".
5. Will test one unit reinforced and one unit non-reinforced.
6. By testing finless, flange will be qualified.
7. Non-Impact Glass 3/16" Temp./airspace/3/16" Temp.
8. Impact Glass 4.7I/airspace/(4.7-.100HP-4.7).
9. Test units to have both sill risers for testing.

	<b>Molimo™</b> Architectural Product Testing	
	Report #:	1601.01-106-11
	Date:	7/25/2018
By:	M Stremmel	

				MATERIAL:		 <b>MI</b> MI WINDOWS AND DOORS, LLC. 650 WEST MARKET STREET GRATZ, PA 17030-0370	DESCRIPTION: Cross Sectional Drawing 130 3-Track XIX-0		
				FINISH:	UNSPECIFIED WALL:		PRODUCT: Special 130	DATE: 10/13/17	
				AREA:	BREAK ALL CORNERS R.015, UNLESS OTHERWISE SPECIFIED		The information, design or data shown on this document or electronic media is the exclusive property of MI Windows and Doors, LLC. It is considered confidential and proprietary and is made available for limited use only. Its use or reproduction without the expressed written consent of MI Windows and Doors, LLC., is prohibited.		
				WEIGHT:			SCALE: 1 : 4	PART NUMBER:	
				PERIMETER:			DFTM: T.C.	DRAWING NUMBER: CS-000545	
-	122B-17	Initial release for R&D test units	10/13/17	T.C.					
LTR	ECN #	REVISIONS	DATE	BY					

**130, 4-Panel, 3-Track, XIX-O, Test Unit**

**Last Updated 10/13/17**

Description	MIWD Part No.	Vendor Part No.	Rev.	CAD	Color	UOM	Qty
<b>MAIN FRAME :</b>							
Frame Head, Finless, White	M252000C	M-2520	-	yes	White	Ft.	1
Frame Head, Finless, Driftwood	M252000D	M-2520	-	yes	Driftwood	Ft.	1
Frame Head, Finless, Bronze	M252000B	M-2520	-	yes	Bronze	Ft.	1
Frame Head Track Fillers, White	M251200C	M-2512	-	yes	White	Ft.	3
Frame Head Track Fillers, Driftwood	M251200D	M-2512	-	yes	Driftwood	Ft.	3
Frame Head Track Fillers, Bronze	M251200B	M-2512	-	yes	Bronze	Ft.	3
Frame Sill, Finless and Flange, Mill	M2522000	M-2522	-	yes	Mill	Ft.	1
Roller Track for Frame Sill, Finless and Flange, Mill	M2512000	M-2511	-	yes	Mill	Ft.	3
Optional Frame Sill Riser, Finless and Flange, 2.625 Ht., Mill	M2530000	M-2530	-	yes	Mill	Ft.	1
Optional Frame Sill Riser, Finless and Flange, 3.500 Ht., Mill	M2531000	M-2531	-	yes	Mill	Ft.	1
Frame Jambs, Finless, White	M252300C	M-2523	-	yes	White	Ft.	2 (1 LH/1 RH)
Frame Jambs, Finless, Driftwood	M252300D	M-2523	-	yes	Driftwood	Ft.	2 (1 LH/1 RH)
Frame Jambs, Finless, Bronze	M252300B	M-2523	-	yes	Bronze	Ft.	2 (1 LH/1 RH)
Frame Jamb Fillers, Finless and Flange, White	M251200C	M-2512	-	yes	White	Ft.	6
Frame Jamb Fillers, Finless and Flange, Driftwood	M251200D	M-2512	-	yes	Driftwood	Ft.	6
Frame Jamb Fillers, Finless and Flange, Bronze	M251200B	M-2512	-	yes	Bronze	Ft.	6
Standard Handle Set, "D" Shaped Pulls, Non-Keyed, White	HD50002C		-	no	White	Ea.	2
Standard Handle Set, "D" Shaped Pulls, Non-Keyed, Driftwood	HD50002D		-	no	Driftwood	Ea.	2
Standard Handle Set, "D" Shaped Pulls, Non-Keyed, Black	HD50002L		-	no	Bronze	Ea.	2
Panel Adapter - White	M251800C	M-2518	-	yes	White	Ft.	1
Panel Adapter - Driftwood	M251800D	M-2518	-	yes	Driftwood	Ft.	1
Panel Adapter - Bronze	M251800B	M-2518	-	yes	Bronze	Ft.	1
<b>Screw Package Containing the Following</b>							
Frame Gasket Set, LH & RH, Head - Gray	MS50051C		-	no	Gray	Ea.	1
Frame Gasket Set, LH & RH, Head - Black	MS50051L		-	no	Black	Ea.	1
Frame Gasket Set, LH & RH, Sill - Gray	MS50050C		-	no	Gray	Ea.	1



Report #: 1601.01-106-11  
 Date: 7/25/2018  
 By: M Stremmel

Frame Gasket Set, LH & RH, Sill - Black	MS50050L		-	no	Black	Ea.	1
#8 x 3/4" PPHSMS 410 Stainless - Frame Assembly	FS001730			no		Ea.	14
3/8" Dia Hole Plugs for Adjustment Holes - White	WS30025C		-	no	Nylon	Ea.	8
3/8" Dia Hole Plugs for Adjustment Holes - Driftwood	WS30025D		-	no	Nylon	Ea.	8
3/8" Dia Hole Plugs for Adjustment Holes - Bronze	WS30025B		-	no	Nylon	Ea.	8
.750 Hi x 1.250 W x 3.000 L, w-strip pad, adhesive, over and under interlocks	WS40000G	751250GYAD3000	-	no	Syn. Pile	Ea.	6
Bump Stop, Base and Cover Set, White	IM20800C		-	yes	White	Ea.	2
Bump Stop, Base and Cover Set, Bronze	IM20800B		-	yes	Bronze	Ea.	2
Bump Stop, Base and Cover Set, Driftwood	IM20800D		-	yes	Driftwood	Ea.	2
#8 x 1" PPH TEK, Attach Bump Stop, White	FS00309C		-	no	White	Ea.	4
#8 x 1" PPH TEK, Attach Bump Stop, Adobe	FS00309J		-	no	Adobe	Ea.	4
#8 x 1" PPH TEK, Attach Bump Stop, Bronze	FS00309Q		-	no	Bronze	Ea.	4
Fixed Panel Retainer Bracket, White	M251900C	M-2519	-	yes	White	Ft.	4
Fixed Panel Retainer Bracket, Driftwood	M251900D	M-2519	-	yes	Driftwood	Ft.	4
Fixed Panel Retainer Bracket, Bronze	M251900B	M-2519	-	yes	Bronze	Ft.	4
#8 x 1" PPH TEK, Attach Fixed Panel Retainer to panel and Frame Jamb, White	FS00309C		-	no	White	Ea.	16
#8 x 1" PPH TEK, Attach Fixed Panel Retainer to panel and Frame Jamb, Adobe	FS00309J		-	no	Adobe	Ea.	16
#8 x 1" PPH TEK, Attach Fixed Panel Retainer to panel and Frame Jamb, Bronze	FS00309Q		-	no	Bronze	Ea.	16
<b>"X" and "xx" Panel: One of each Required, One LH and One RH. Caution Inside VS Outside Tracks.</b>							
Panel Top Rail, White	M250000C	M-2500	-	yes	White	Ft.	1
Panel Top Rail, Driftwood	M250000D	M-2500	-	yes	Driftwood	Ft.	1
Panel Top Rail, Bronze	M250000B	M-2500	-	yes	Bronze	Ft.	1
Panel Bottom Rail, White	M250000C	M-2500	-	yes	White	Ft.	1
Panel Bottom Rail, Driftwood	M250000D	M-2500	-	yes	Driftwood	Ft.	1
Panel Bottom Rail, Bronze	M250000B	M-2500	-	yes	Bronze	Ft.	1
.187 x .250 Weatherstrip for top and bottom rails and injection molded filler	WS30060G		-	no	Grey	Ft.	4
.750 Hi x 1.250 W x 1.500 L, w-strip pad, adhesive, Each end of top/bottom rails	WS40001G	751250GYAD1500	-	no	Syn. Pile	Ea.	4
Panel Stiles, White	M250200C	M-2502	-	yes	White	Ft.	2
Panel Stiles, Driftwood	M250200D	M-2502	-	yes	Driftwood	Ft.	2
Panel Stiles, Bronze	M250200B	M-2502	-	yes	Bronze	Ft.	2



Report #: 1601.01-106-11

Date: 7/25/2018

By: M Stremmel

.187 x .250 Weatherstrip (Lock Stile)	WS30060G		-	no	Grey	Ft.	2
Optional Rebar for Interlock Stile - Mill	M2516000	M-2516	-	yes	Mill	Ft.	1
Weatherstrip Plug, Injection Moulded, Each Corner	IM355000		-	yes	Black	Ea.	4
#10 x 1" Hex Head SMS, S.S., Panel Assembly	FS002561				SS	Ea.	8
Panel Roller, Tandem, SS, Precision, 1.500, With Spacer	HD300300	SS7143DSPA	-	yes	eel/Compos	Ea.	2
#8 x 1/2" PFHMSA, Attach Rollers to Bottom Rail	FS003073		-	no	ZI PL ST	Ea.	4
Setting Blocks for Glass - 1/8" x 1" x 1"	MS100090	PSA-1			Black	Ea.	Varies
Backbedding - Pecora 896 610 Trans TBS UV03B	SL000760	Pecora 896 Clr.			Clear	Gal.	Varies
Glass as Required, IG, Impact, NON-Impact						Ea.	1
Glazing Bead, IG, Impact and Non-Impact - White	M250500C	M-2505	-	yes	White	Ft.	2 Hor./2 Vert.
Glazing Bead, IG, Impact and Non-Impact - Driftwood	M250500D	M-2505	-	yes	Driftwood	Ft.	2 Hor./2 Vert.
Glazing Bead, IG, Impact and Non-Impact - Bronze	M250500B	M-2505	-	yes	Bronze	Ft.	2 Hor./2 Vert.
.187 x .160 w'strip for glazing beads	WS10024G				Gray	Ft.	2 hor./2 vert.
Panel Interlock - White	M250300C	M-2503	-	yes	White	Ft.	1
Panel Interlock - Driftwood	M250300D	M-2503	-	yes	Driftwood	Ft.	1
Panel Interlock - Bronze	M250300B	M-2503	-	yes	Bronze	Ft.	1
.187 x .250 Weatherstrip for Panel Interlock	WS30060G		-	no	Grey	Ft.	1
Bulb Seal fo Panel Interlock	MS50021L	PPI 0791-1	-	no	Black	Ft.	1
#8 x 7/8" PPHTEK, Attach Interlock to Panel Stile	FS001390		-	no	Mill	Ea.	5
Interlock Screw Cover, Snap-In - White	M250400C	M-2504	-	yes	White	Ft.	1
Interlock Screw Cover, Snap-In - Adobe	M250400D	M-2504	-	yes	Driftwood	Ft.	1
Interlock Screw Cover, Snap-In - Bronze	M250400B	M-2504	-	yes	Bronze	Ft.	1
Dual Mortise Lock Set w/faceplate, Stainless Steel	L0000160	Gemini II	-	no	Stainless	Ea.	1
#8 x 1/2" PFHMSA, Attach Mortise Lock to Lock Stile	FS003073		-	no	ZI PL ST	Ea.	2




Report #: 1601.01-106-11

Date: 7/25/2018

By: M Stremmel

<b>"I" Panel</b>							
Panel Top Rail, White	M250000C	M-2500	-	yes	White	Ft.	1
Panel Top Rail, Driftwood	M250000D	M-2500	-	yes	Driftwood	Ft.	1
Panel Top Rail, Bronze	M250000B	M-2500	-	yes	Bronze	Ft.	1
Panel Bottom Rail, White	M250000C	M-2500	-	yes	White	Ft.	1
Panel Bottom Rail, Driftwood	M250000D	M-2500	-	yes	Driftwood	Ft.	1
Panel Bottom Rail, Bronze	M250000B	M-2500	-	yes	Bronze	Ft.	1
.187 x .250 Weatherstrip for top and bottom rails and injection molded filler	WS30060G		-	no	Grey	Ft.	4
.750 Hi x 1.250 W x 1.500 L, w-strip pad, adhesive, Each end of top/bottom rails	WS40001G	751250GYAD1500	-	no	Syn. Pile	Ea.	4
Panel Stiles, White	M250200C	M-2502	-	yes	White	Ft.	2
Panel Stiles, Driftwood	M250200D	M-2502	-	yes	Driftwood	Ft.	2
Panel Stiles, Bronze	M250200B	M-2502	-	yes	Bronze	Ft.	2
Optional Rebar for Interlock Stile - Mill	M2516000	M-2516	-	yes	Mill	Ft.	2
Weatherstrip Plug, Injection Moulded, Each Corner	IM355000		-	yes	Black	Ea.	4
#10 x 1" Hex Head SMS, S.S., Panel Assembly	FS002561				SS	Ea.	8
Panel Roller, Tandem, SS, Precision, 1.500, With Spacer	HD300300	SS7143DSPA	-	yes	Steel/Compos	Ea.	2
#8 x 1/2" PFHMSA, Attach Rollers to Bottom Rail	FS003073		-	no	ZI PL ST	Ea.	4
Setting Blocks for Glass - 1/8" x 1" x 1"	MS100090	PSA-1			Black	Ea.	Varies
Backbedding - Pecora 896 610 Trans TBS UV03B	SL000760	Pecora 896 Clr.			Clear	Gal.	Varies
Glass as Required, IG, Impact, NON-Impact						Ea.	1
Glazing Bead, IG, Impact and Non-Impact - White	M250500C	M-2505	-	yes	White	Ft.	2 Hor./2 Vert.
Glazing Bead, IG, Impact and Non-Impact - Driftwood	M250500D	M-2505	-	yes	Driftwood	Ft.	2 Hor./2 Vert.
Glazing Bead, IG, Impact and Non-Impact - Bronze	M250500B	M-2505	-	yes	Bronze	Ft.	2 Hor./2 Vert.
.187 x .160 w'strip for glazing beads	WS10024G				Gray	Ft.	2 hor./2 vert.
Panel Interlock - White	M250300C	M-2503	-	yes	White	Ft.	2
Panel Interlock - Driftwood	M250300D	M-2503	-	yes	Driftwood	Ft.	2
Panel Interlock - Bronze	M250300B	M-2503	-	yes	Bronze	Ft.	2



Report #: 1601.01-106-11

Date: 7/25/2018

By: M Stremmel

.187 x .250 Weatherstrip for Panel Interlock	WS30060G		-	no	Grey	Ft.	2
Bulb Seal fo Panel Interlock	MS50021L	PPI 0791-1	-	no	Black	Ft.	2
#8 x 7/8" PPHTEK, Attach Interlock to Panel Stile	FS001390		-	no	Mill	Ea.	10
Interlock Screw Cover, Snap-In - White	M-250400C	M-2504	-	yes	White	Ft.	2
Interlock Screw Cover, Snap-In - Adobe	M-250400D	M-2504	-	yes	Driftwood	Ft.	2
Interlock Screw Cover, Snap-In - Bronze	M-250400B	M-2504	-	yes	Bronze	Ft.	2
<b>"OO" Panel</b>							
Panel Top Rail, White	M250000C	M-2500	-	yes	White	Ft.	1
Panel Top Rail, Driftwood	M250000D	M-2500	-	yes	Driftwood	Ft.	1
Panel Top Rail, Bronze	M250000B	M-2500	-	yes	Bronze	Ft.	1
Panel Bottom Rail, White	M250000C	M-2500	-	yes	White	Ft.	1
Panel Bottom Rail, Driftwood	M250000D	M-2500	-	yes	Driftwood	Ft.	1
Panel Bottom Rail, Bronze	M250000B	M-2500	-	yes	Bronze	Ft.	1
.187 x .250 Weatherstrip for top and bottom rails and injection molded filler	WS30060G		-	no	Grey	Ft.	4
.750 tall x 1.250 wide x 1.500 long Adhesive W'Strip Plug, Ends of top/bottom rails	WS40001G	751250GYAD1500	-	no	Syn. Pile	Ea.	4
Panel Stiles, White	M250200C	M-2502	-	yes	White	Ft.	2
Panel Stiles, Driftwood	M250200D	M-2502	-	yes	Driftwood	Ft.	2
Panel Stiles, Bronze	M250200B	M-2502	-	yes	Bronze	Ft.	2
.187 x .250 Weatherstrip for panel Stiles (Frame Jamb Fixed Stile Only)	WS30060G		-	no	Grey	Ft.	2
Optional Rebar for Interlock Stile - Mill	M2516000	M-2516	-	yes	Mill	Ft.	1
Weatherstrip Plug, Injection Moulded, Each Corner	IM355000		-	yes	Black	Ea.	4
#10 x 1" Hex Head SMS, S.S., Panel Assembly	FS002561				SS	Ea.	8
Panel Rollers, Tandem, SS, Precision, 1.500, With Spacer	HD300300	SS7143DSPA	-	yes	eel/Compos	Ea.	2
#8 x 1/2" PFHMSA, Attach Rollers to Bottom Rail	FS003073		-	no	ZI PL ST	Ea.	4
Setting Blocks for Glass - 1/8" x 1" x 1"	MS100090	PSA-1			Black	Ea.	Varies



**Molimo™**  
Architectural Product Testing

Report #: 1601.01-106-11

Date: 7/25/2018

By: M Stremmel

Backbedding - Pecora 896 610 Trans TBS UV03B	SL000760	Pecora 896 Clr.			Clear	Gal.	Varies
Glass as Required, IG, Impact, NON-Impact						Ea.	1
Glazing Bead, IG, Impact and Non-Impact - White	M250500C	M-2505	-	yes	White	Ft.	2 Hor./2 Vert.
Glazing Bead, IG, Impact and Non-Impact - Driftwood	M250500D	M-2505	-	yes	Driftwood	Ft.	2 Hor./2 Vert.
Glazing Bead, IG, Impact and Non-Impact - Bronze	M250500B	M-2505	-	yes	Bronze	Ft.	2 Hor./2 Vert.
.187 x .160 w'strip for glazing beads	WS10024G				Gray	Ft.	2 hor./2 vert.
<b>Standard 144 Ext. Screen (From Rite Screen)</b>							
Latch Screen, 144 Ext. Equipped with the following:							1
856 Front Handle							
857 Back Handle							
478 Stainless Side Adjust Rollers							
Screws #8 x 1/2" Stainless							
Trailing Screen, 144 Ext. Equipped with the following							1
478 Stainless Side Adjust Rollers							
Weatherstrip 45018730/WHWPSR							
Adapter to connect the two screens together							1



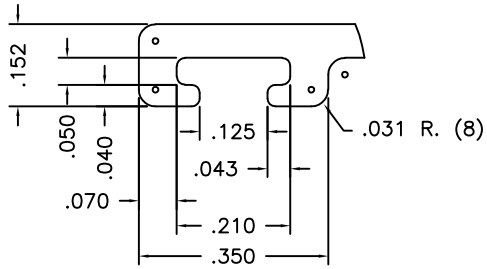
**Molimo**<sup>™</sup>  
Architectural Product Testing

Report #: 1601.01-106-11

Date: 7/25/2018

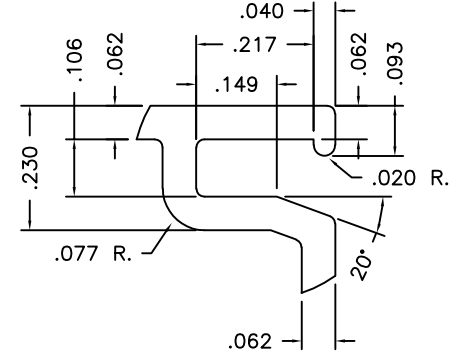
By: M Stremmel

Detail "A"  
4 x Full

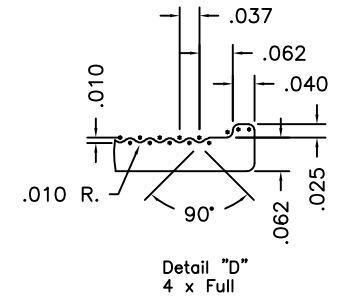
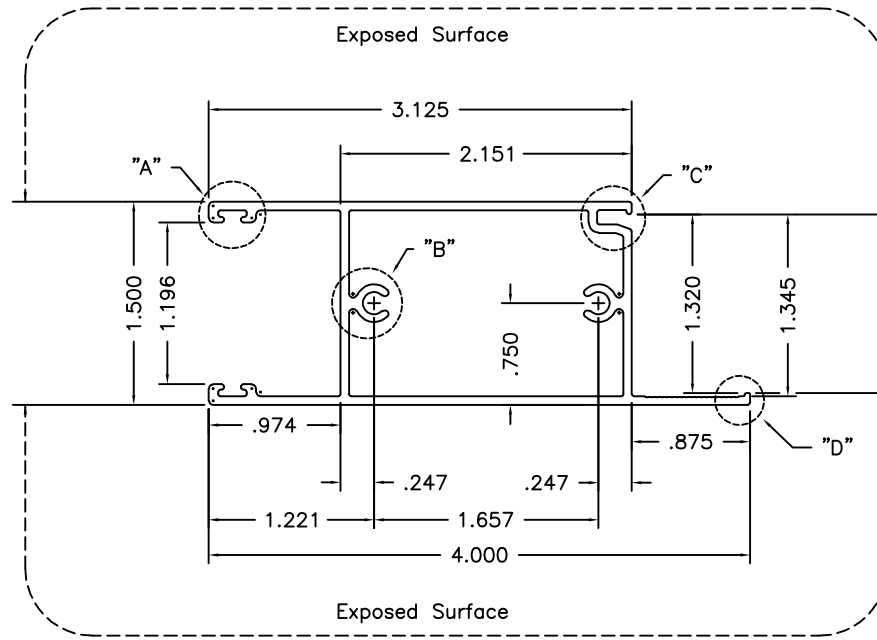
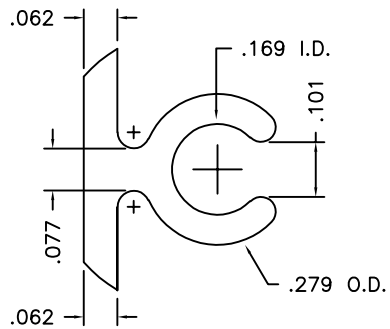


Description	Length	Finish	8-Digit Part #
Panel Top/Bottom Rail	148"	White	M250000C
Panel Top/Bottom Rail	148"	Driftwood	M250000D
Panel Top/Bottom Rail	148"	Bronze	M250000B

Detail "C"  
4 x Full



Detail "B"  
4 x Full



**Molimo™**  
Architectural Product Testing

Report #: 1601.01-106-11

Date: 7/25/2018

By: M Stremmel

CLASS: Hollow	PAINT PERIMETER: 7.345
THERMAL CAVITY: None	CIRCLE SIZE: 4.500

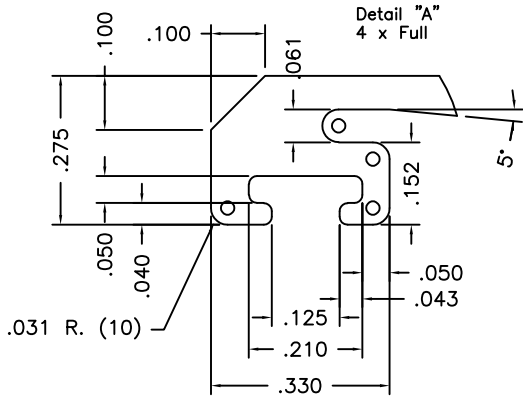
MATERIAL: 6005-T5	<b>MIWD</b> MI WINDOWS AND DOORS <small>650 WEST MARKET STREET GRATZ, PA 17030-0370</small>
FINISH: Painted	
AREA: .727	
WEIGHT: .873	
PERIMETER: 24.057	BREAK ALL CORNERS R.015, UNLESS OTHERWISE SPECIFIED

The information, design or data shown on this document or electronic media is the exclusive property of MI Windows and Doors, LLC. It is considered confidential and proprietary and is made available for limited use only. Its use or reproduction without the expressed written consent of MI Windows and Doors, LLC., is prohibited.

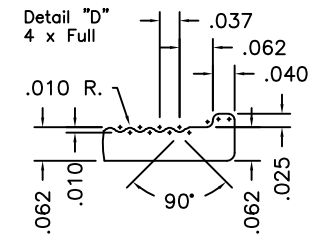
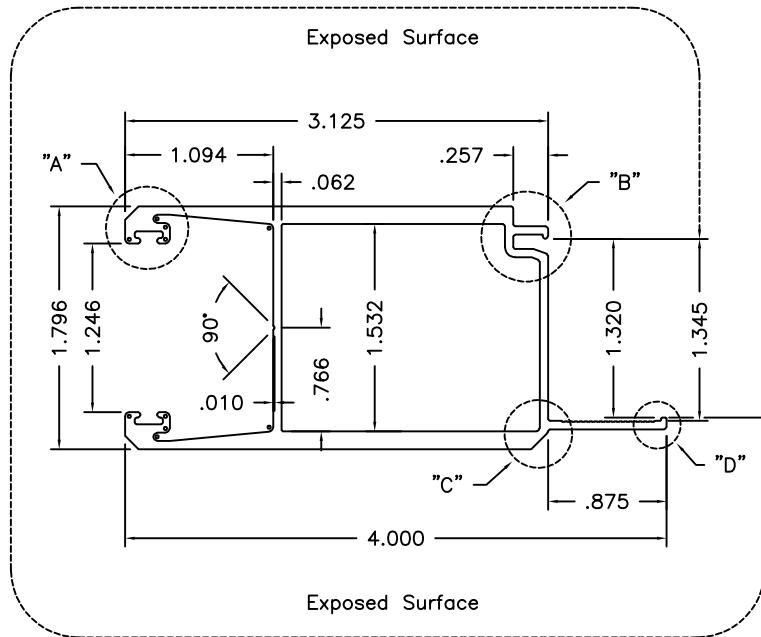
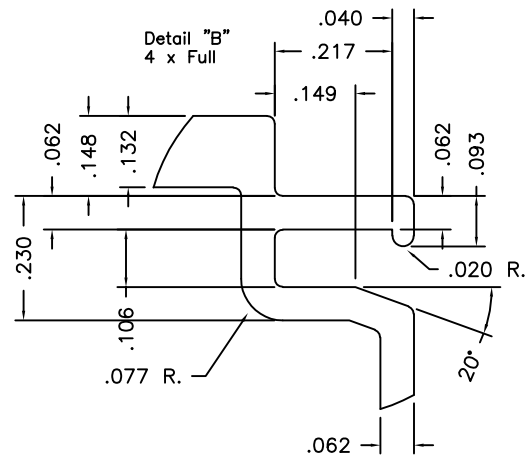
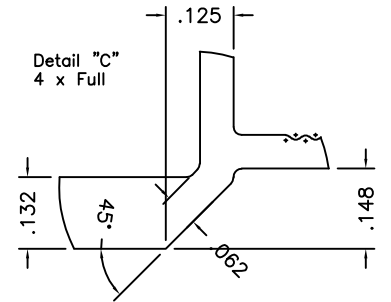
DESCRIPTION: Panel Top Rail Aluminum Extrusion	
PRODUCT: 120/130/140 Families	DATE: 06/03/15
SCALE: 1 : 1	PART NUMBER: M-2500
DFTM: T.C.	DRAWING NUMBER: AE-000029

MATERIAL: 6005-T5		DESCRIPTION: Panel Top Rail	
FINISH: Painted		Aluminum Extrusion	
AREA: .727		PRODUCT: 120/130/140 Families	DATE: 06/03/15
WEIGHT: .873		SCALE: 1 : 1	PART NUMBER: M-2500
PERIMETER: 24.057		DFTM: T.C.	DRAWING NUMBER: AE-000029
LTR	ECN #	REVISIONS	DATE
-	069A-15	Initial Release For Extrusion Tooling	06/29/15





Description	Length	Finish	8-Digit Part #
Panel Stile	192"	White	M250200C
Panel Stile	192"	Driftwood	M250200D
Panel Stile	192"	Bronze	M250200B



**Molimo**  
Architectural Product Testing

Report #: 1601.01-106-11

Date: 7/25/2018

By: M Stremmel

CLASS: Hollow	PAIN PERIMETER: 13.042
THERMAL CAVITY: None	CIRCLE SIZE: 4.375

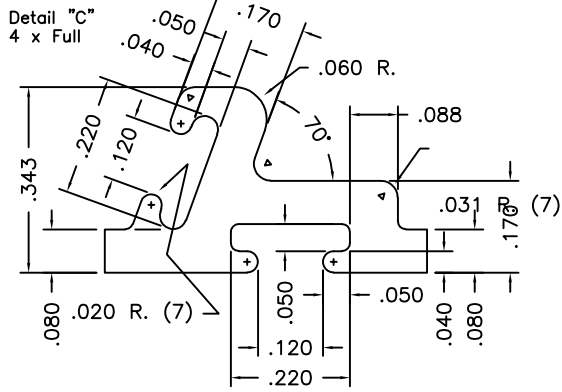
MATERIAL: 6005-T5
FINISH: Painted
AREA: 1.042
WEIGHT: 1.250
PERIMETER: 22.683

**MIWD** MI WINDOWS AND DOORS  
650 WEST MARKET STREET GRATZ, PA 17030-0370

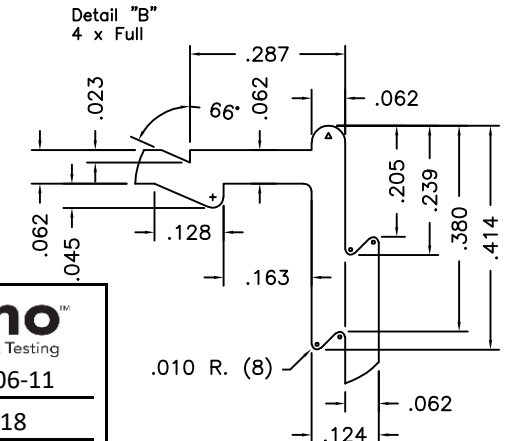
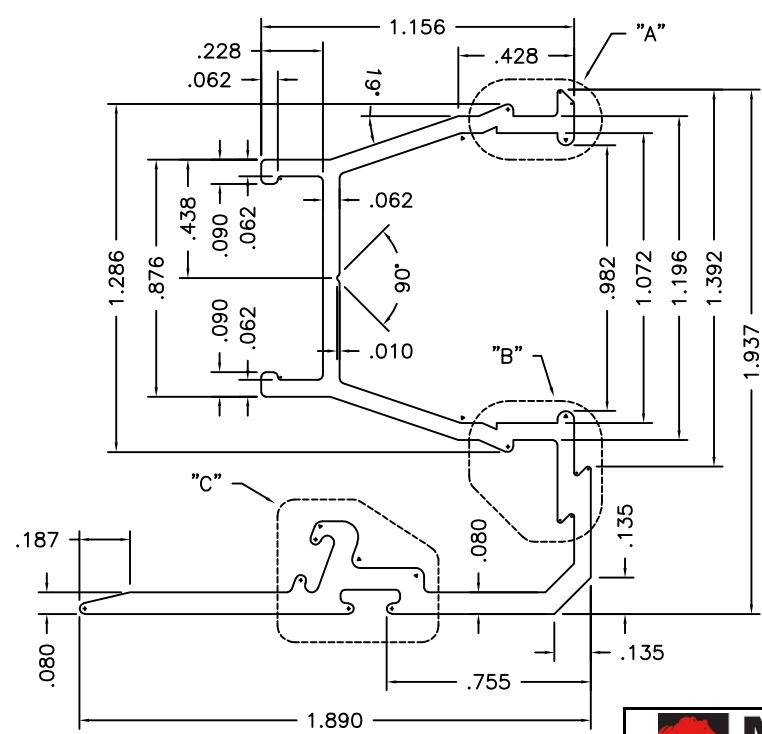
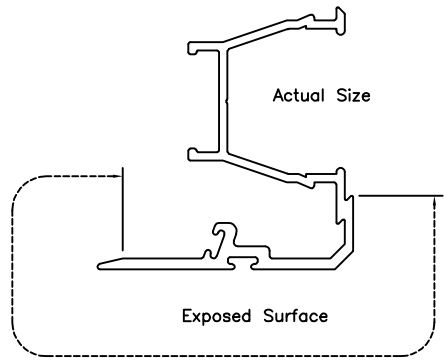
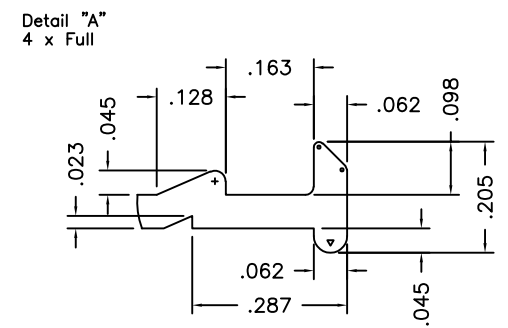
The information, design or data shown on this document or electronic media is the exclusive property of MI Windows and Doors, LLC. It is considered confidential and proprietary and is made available for limited use only. Its use or reproduction without the expressed written consent of MI Windows and Doors, LLC., is prohibited.

DESCRIPTION: Panel Stiles Aluminum Wxtrusion	
PRODUCT: 120/130/140 Family	DATE: 06/04/15
SCALE: 1 : 1	PART NUMBER: M-2502
DFTM: T.C.	DRAWING NUMBER: AE-000031

LTR	ECN #	REVISIONS	DATE	BY
-	069A-15	Initial Release For Extrusion Tooling	06/29/15	T.C.



Description	Length	Finish	8-Digit Part #
Panel Interlock	192"	White	M250300C
Panel Interlock	192"	Driftwood	M250300D
Panel Interlock	192"	Bronze	M250300B



**Molimo™**  
Architectural Product Testing

Report #: 1601.01-106-11

Date: 7/25/2018

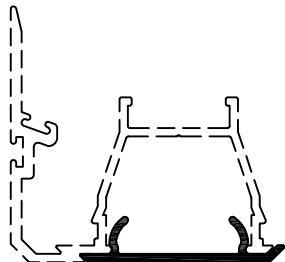
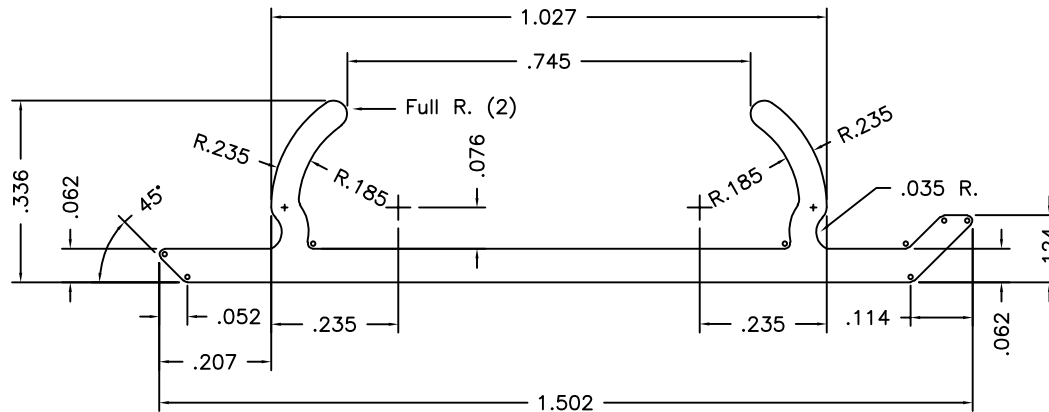
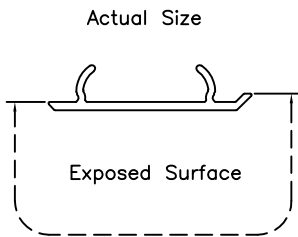
By: M Stremmel

CLASS: Solid	PAINT PERIMETER: 2.859
THERMAL CAVITY: None	CIRCLE SIZE: 3"

MATERIAL: 6005-T5	<b>MIWD</b> MI WINDOWS AND DOORS 650 WEST MARKET STREET GRATZ, PA 17030-0370 The information, design or data shown on this document or electronic media is the exclusive property of MI Windows and Doors, LLC. It is considered confidential and proprietary and is made available for limited use only. Its use or reproduction without the expressed written consent of MI Windows and Doors, LLC., is prohibited.
FINISH: Painted	
AREA: .442	
WEIGHT: .531	
PERIMETER: 12.828	UNSPECIFIED WALL: .062 BREAK ALL CORNERS R.015, UNLESS OTHERWISE SPECIFIED

DESCRIPTION: Panel Interlock Aluminum Extrusion	PRODUCT: 120/130/140 Families	DATE: 06/04/15
SCALE: 2 : 1	PART NUMBER: M-2503	
DFTM: T.C.	DRAWING NUMBER: AE-000032	

LTR	ECN #	REVISIONS	DATE	BY	T.C.
-	069A-15	Initial Release For Extrusion Tooling	06/29/15	T.C.	



**Molimo**<sup>™</sup>  
Architectural Product Testing

Report #: 1601.01-106-11

Date: 7/25/2018

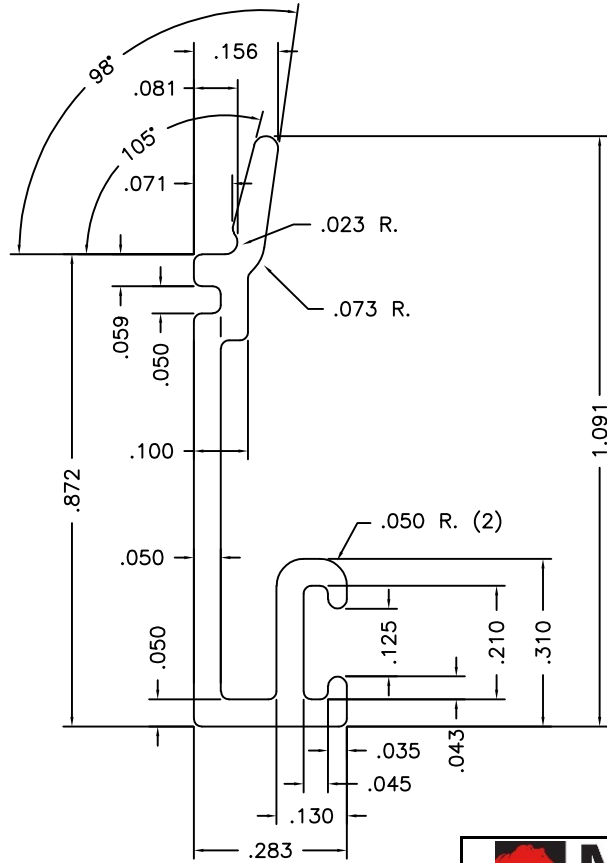
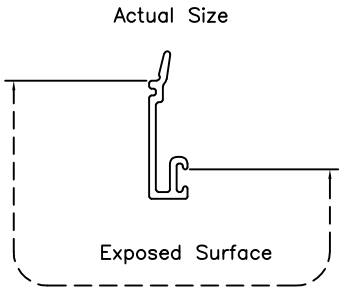
By: M Stremmel

Description	Length	Finish	8-Digit Part #
Interlock Cover	192"	White	M250400C
Interlock Cover	192"	Driftwood	M250400D
Interlock Cover	192"	Bronze	M250400B

CLASS: Solid	PAINT PERIMETER: 1.606
THERMAL CAVITY: None	CIRCLE SIZE: 1 3/4"

MATERIAL: 6005-T5				<b>MIWD</b> MI WINDOWS AND DOORS 650 WEST MARKET STREET GRATZ, PA 17030-0370		DESCRIPTION: Interlock Cover Aluminum Extrusion	
FINISH: Painted		UNSPECIFIED WALL: .062				PRODUCT: 120/130/140 Families	
AREA: .122		BREAK ALL CORNERS R.015, UNLESS OTHERWISE SPECIFIED		SCALE: 4 : 1		PART NUMBER: M-2504	
WEIGHT: .147				DFTM: T.C.		DRAWING NUMBER: AE-000033	
PERIMETER: 4.280							
-	069A-15	Initial Release For Extrusion Tooling	06/29/15	T.C.			
LTR	ECN #	REVISIONS	DATE	BY			

The information, design or data shown on this document or electronic media is the exclusive property of MI Windows and Doors, LLC. It is considered confidential and proprietary and is made available for limited use only. Its use or reproduction without the expressed written consent of MI Windows and Doors, LLC., is prohibited.



Description	Length	Finish	8-Digit Part #
I.G. Bead, Impact and Non-Impact	180"	White	M250500C
I.G. Bead, Impact and Non-Impact	180"	Driftwood	M250500D
I.G. Bead, Impact and Non-Impact	180"	Bronze	M250500B

Report #: 1601.01-106-11  
 Date: 7/25/2018  
 By: M Stremmel

CLASS: Solid	PAINT PERIMETER: 1.707
THERMAL CAVITY: None	CIRCLE SIZE: 1.250

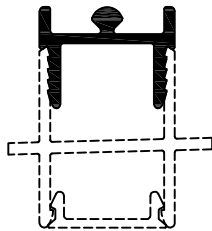
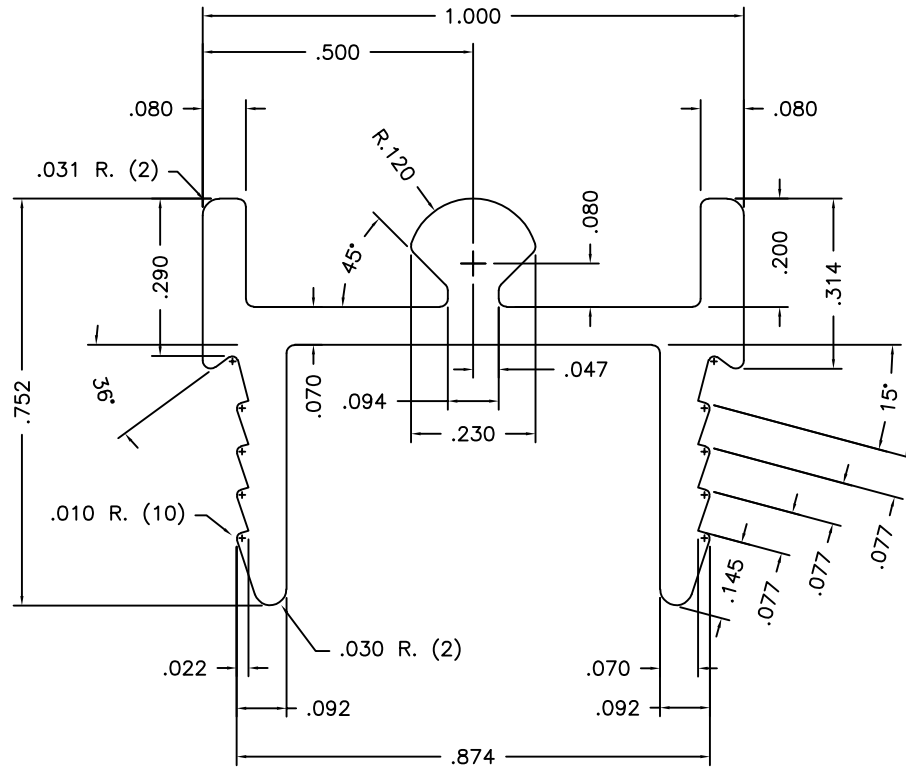
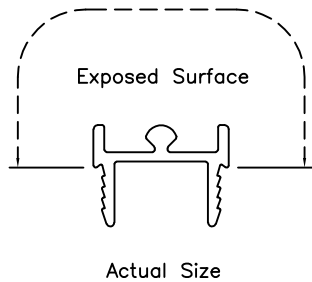
MATERIAL: 6063-T5
FINISH: Painted
AREA: .092
WEIGHT: .110
PERIMETER: 3.643

**MIWD** MI WINDOWS AND DOORS  
 650 WEST MARKET STREET GRATZ, PA 17030-0370

The information, design or data shown on this document or electronic media is the exclusive property of MI Windows and Doors, LLC. It is considered confidential and proprietary and is made available for limited use only. Its use or reproduction without the expressed written consent of MI Windows and Doors, LLC., is prohibited.

DESCRIPTION: IG Glazing Bead Aluminum Extrusion	PRODUCT: 120/130/140 Families	DATE: 06/04/15
SCALE: 4 : 1	PART NUMBER: M-2505	
DFTM: T.C.	DRAWING NUMBER: AE-000034	

LTR	ECN #	REVISIONS	DATE	BY
-	069A-15	Initial Release For Extrusion Tooling	06/29/15	T.C.



**Molimo**<sup>™</sup>  
Architectural Product Testing

Report #: 1601.01-106-11

Date: 7/25/2018

By: M Stremmel

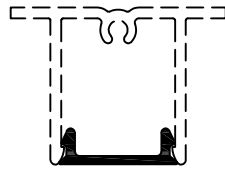
Description	Length	Finish	8-Digit Part #
Roller Track	180"	Mill	M2511000

CLASS: Solid	PAINT PERIMETER: None
THERMAL CAVITY: None	CIRCLE SIZE: 1.250

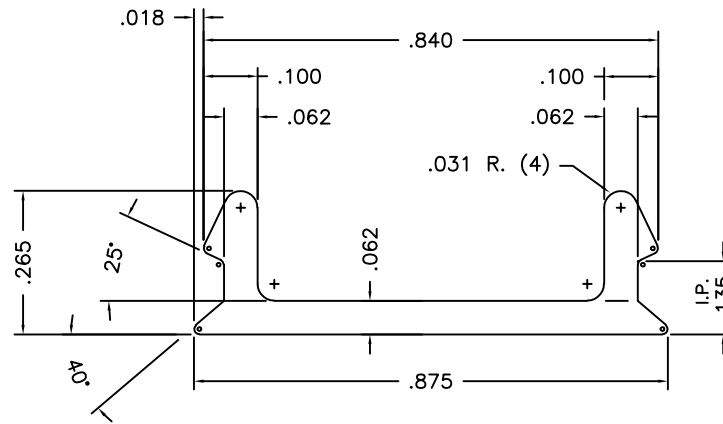
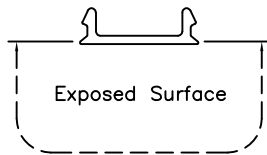
MATERIAL: 6063-T5	<b>MIWD</b> MI WINDOWS AND DOORS <small>650 WEST MARKET STREET GRATZ, PA 17030-0370</small> The information, design or data shown on this document or electronic media is the exclusive property of MI Windows and Doors, LLC. It is considered confidential and proprietary and is made available for limited use only. Its use or reproduction without the expressed written consent of MI Windows and Doors, LLC., is prohibited.
FINISH: Mill	
AREA: .214	
WEIGHT: .256	
PERIMETER: 5.368	

UNSPECIFIED WALL: .070	DESCRIPTION: Frame Sill Snap-In Roller Track Aluminum Extrusion
BREAK ALL CORNERS R.015, UNLESS OTHERWISE SPECIFIED	PRODUCT: 120/130/140 Families
	DATE: 06/04/15
	SCALE: 4 : 1
	PART NUMBER: M-2511
	DFTM: T.C.
	DRAWING NUMBER: AE-000040

-	069B-15	Initial release for extrusion tooling	07/08/15	T.C.	
LTR	ECN #	REVISIONS	DATE	BY	



Actual Size



**Molimo**<sup>TM</sup>  
Architectural Product Testing


Report #: 1601.01-106-11

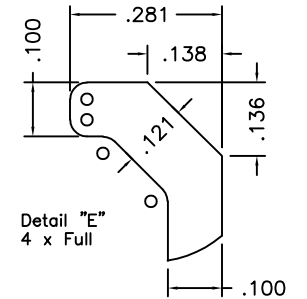
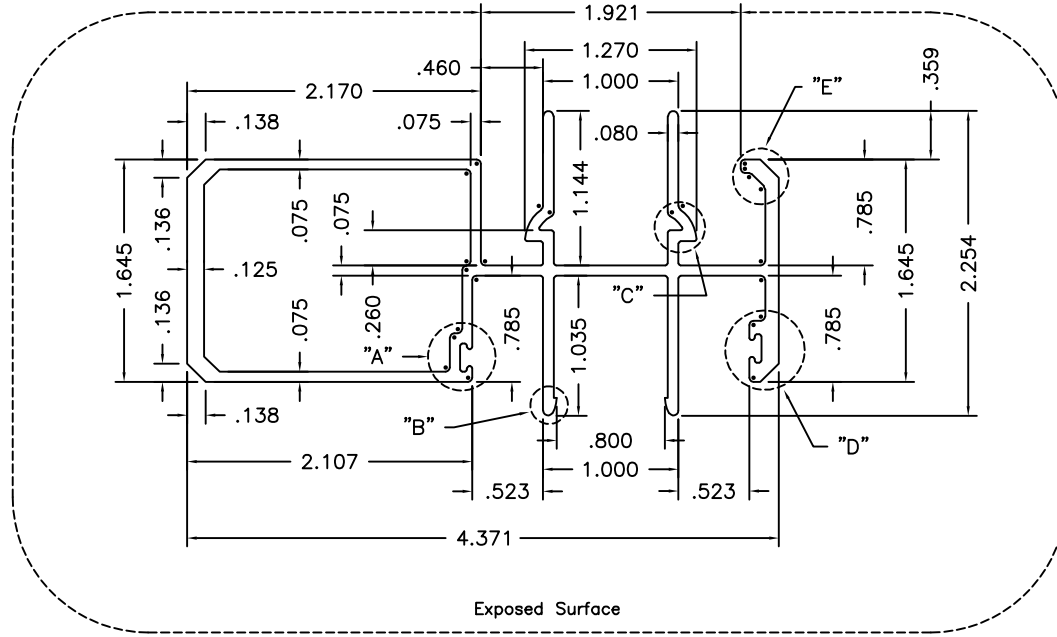
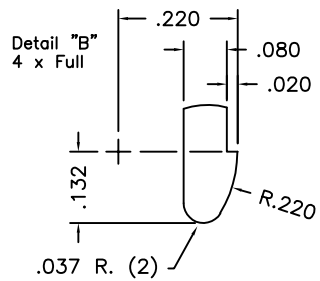
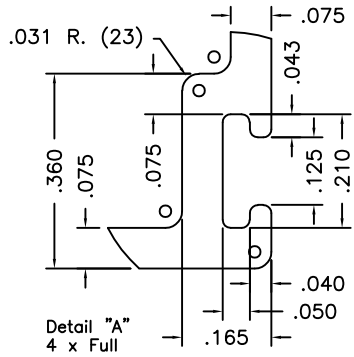
Date: 7/25/2018

By: M Stremmel

Description	Length	Finish	8-Digit Part #
Filler	180"	White	M251200C
Filler	180"	Driftwood	M251200D
Filler	180"	Bronze	M251200B

CLASS: Solid	PAINT PERIMETER: .904
THERMAL CAVITY: None	CIRCLE SIZE: 1.000

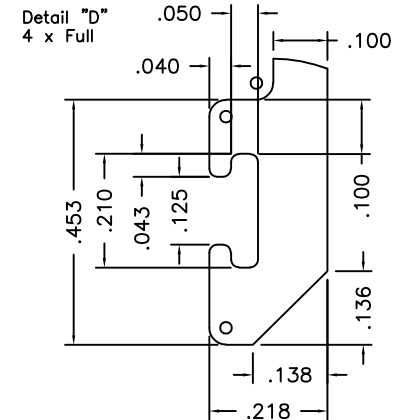
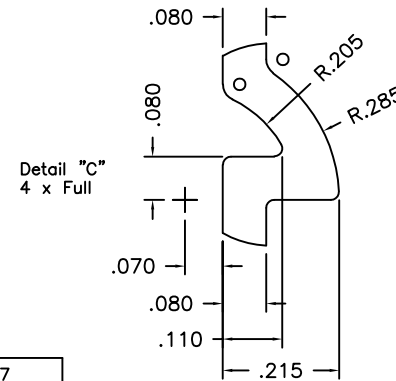
					MATERIAL: 6063-T5	 <p>650 WEST MARKET STREET GRATZ, PA 17030-0370</p> <p>The information, design or data shown on this document or electronic media is the exclusive property of MI Windows and Doors, LLC. It is considered confidential and proprietary and is made available for limited use only. Its use or reproduction without the expressed written consent of MI Windows and Doors, LLC., is prohibited.</p>	DESCRIPTION: Frame Head/Jamb Filler Aluminum Extrusion		
					FINISH: Painted		UNSPECIFIED WALL: .062	PRODUCT: 120/130/140 Families	
					AREA: .081		BREAK ALL CORNERS R.015, UNLESS OTHERWISE SPECIFIED	SCALE: 4 : 1	PART NUMBER: M-2512
					WEIGHT: .097			PERIMETER: 2.597	DFTM: T.C.
-	069B-15	Initial release for extrusion tooling	07/08/15	T.C.			DATE: 06/05/15		
LTR	ECN #	REVISIONS	DATE	BY					



**Molimo**  
Architectural Product Testing

Report #: 1601.01-106-11  
Date: 7/25/2018  
By: M Stremmel

Description	Length	Finish	8-Digit Part #
Panel Adapter	192"	White	M251800C
Panel Adapter	192"	Driftwood	M251800D
Panel Adapter	192"	Bronze	M251800B

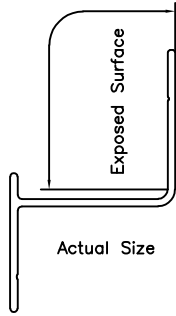


CLASS: Hollow	PAIN PERIMETER: 16.237
THERMAL CAVITY: None	CIRCLE SIZE: 5.000

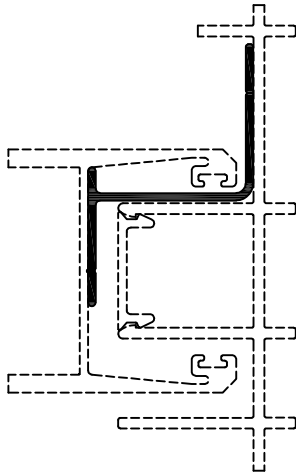
MATERIAL: 6005-T5	<b>MIWD</b> MI WINDOWS AND DOORS 650 WEST MARKET STREET GRATZ, PA 17030-0370 The information, design or data shown on this document or electronic media is the exclusive property of MI Windows and Doors, LLC. It is considered confidential and proprietary and is made available for limited use only. Its use or reproduction without the expressed written consent of MI Windows and Doors, LLC., is prohibited.
FINISH: Painted	
AREA: 1.372	
WEIGHT: 1.647	
PERIMETER: 31.741	UNSPECIFIED WALL: .075 BREAK ALL CORNERS R.015, UNLESS OTHERWISE SPECIFIED

DESCRIPTION: OXXO 4-Panel Adapter Aluminum Extrusion	DATE: 06/05/15
PRODUCT: 120 Family	PART NUMBER: M-2518
SCALE: 1 : 1	DRAWING NUMBER: AE-000047
DFTM: T.C.	

LTR	ECN #	REVISIONS	DATE	BY	T.C.
-	069A-15	Initial Release For Extrusion Tooling	06/29/15	T.C.	



Description	Length	Finish	8-Digit Part #
Panel Retainer	144"	White	M251900C
Panel Retainer	144"	Driftwood	M251900D
Panel Retainer	144"	Bronze	M251900B

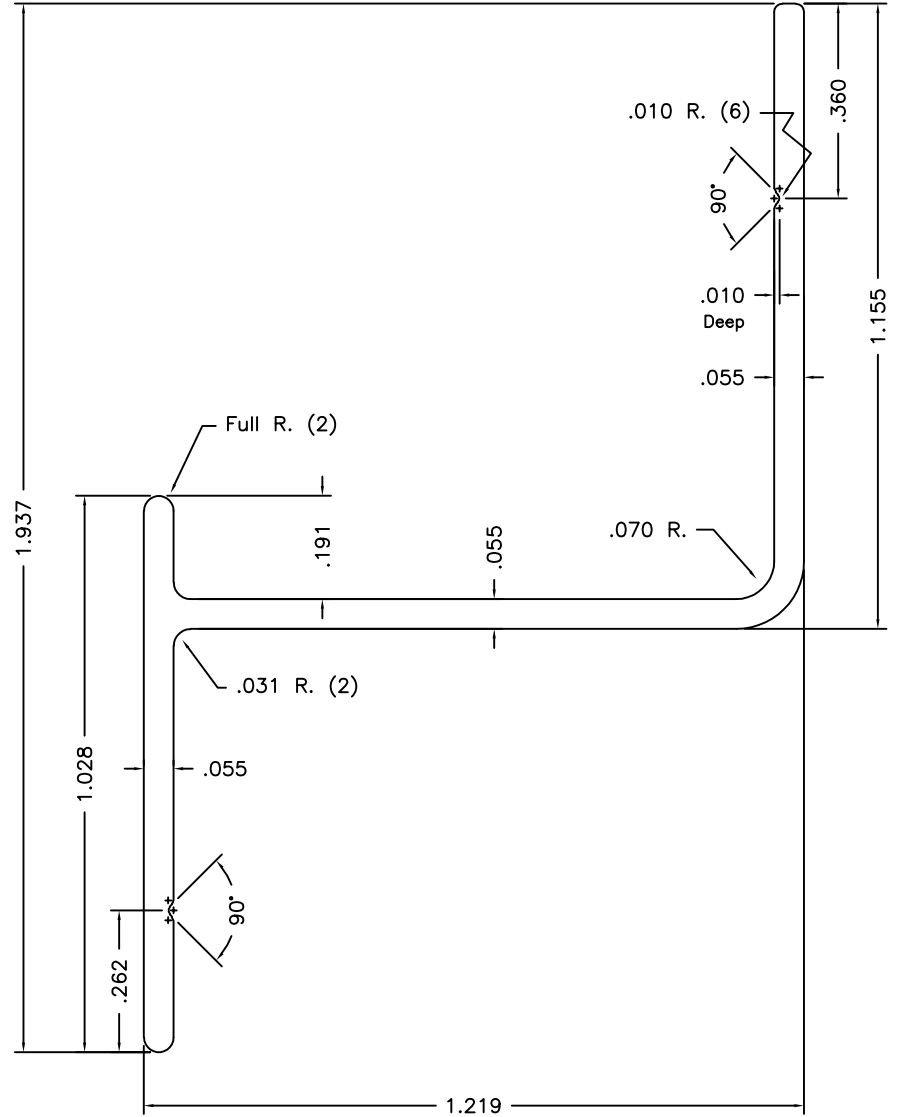


 **Molimo**<sup>™</sup>  
Architectural Product Testing

Report #: 1601.01-106-11

Date: 7/25/2018

By: M Stremmel



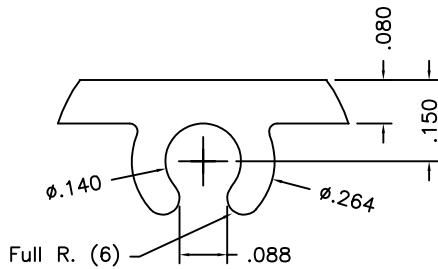
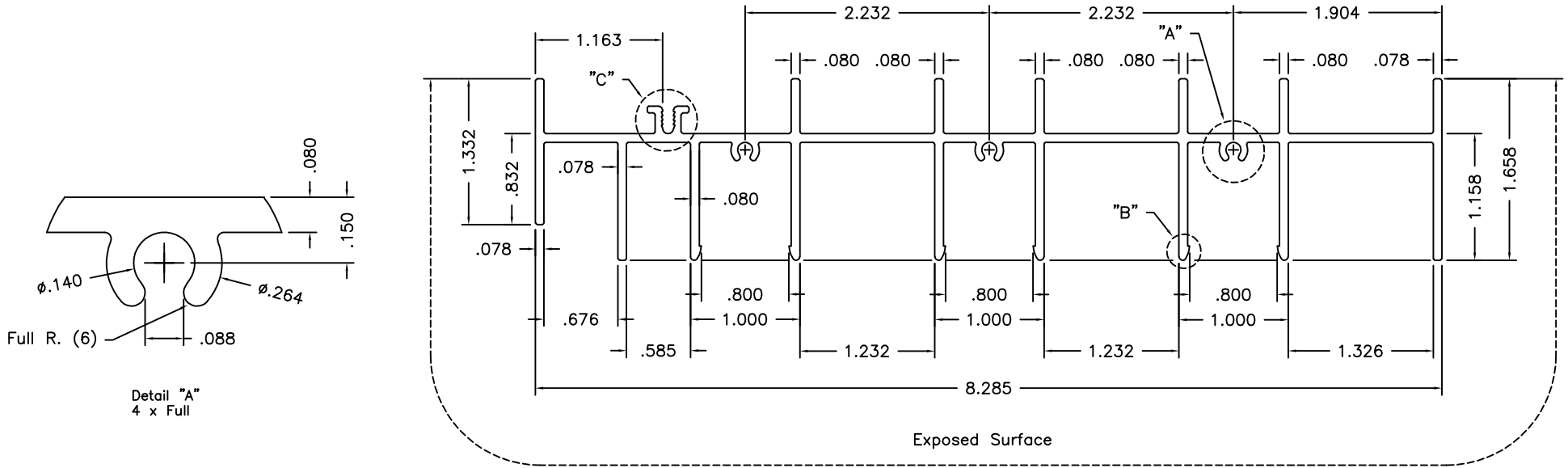
CLASS: Solid	PAIN PERIMETER: 1.094
THERMAL CAVITY: None	CIRCLE SIZE: 2.500

MATERIAL: 6063-T5	<b>MIWD</b> MI WINDOWS AND DOORS 650 WEST MARKET STREET GRATZ, PA 17030-0370 The information, design or data shown on this document or electronic media is the exclusive property of MI Windows and Doors, LLC. It is considered confidential and proprietary and is made available for limited use only. Its use or reproduction without the expressed written consent of MI Windows and Doors, LLC., is prohibited.
FINISH: Painted	
UNSPECIFIED WALL: .055	
AREA: .178	
WEIGHT: .214	BREAK ALL CORNERS R.015, UNLESS OTHERWISE SPECIFIED
PERIMETER: 6.537	

DESCRIPTION: Fixed Panel Stile Retainer Aluminum Extrusion		PRODUCT: XXXX	DATE: 06/05/15
SCALE: 4 : 1	PART NUMBER: M-2519		
DFTM: T.C.	DRAWING NUMBER: AE-000048		

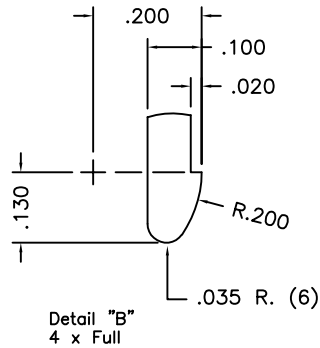
LTR	ECN #	REVISIONS	DATE	BY	T.C.
-	069B-15	Initial Release For Extrusion Tooling	07/09/15	T.C.	



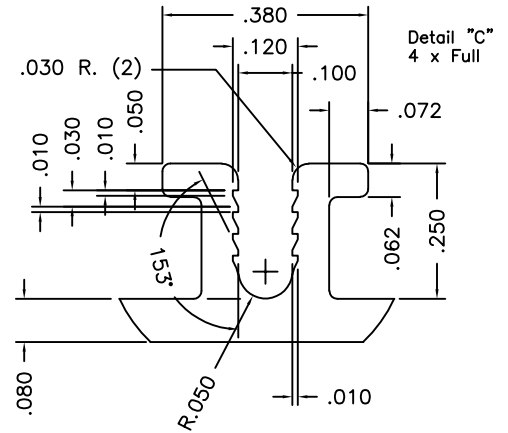


Detail "A"  
4 x Full

Description	Length	Finish	8-Digit Part #
Frame Head	180"	White	M252000C
Frame Head	180"	Driftwood	M252000D
Frame Head	180"	Bronze	M252000B



Detail "B"  
4 x Full



Detail "C"  
4 x Full


**Molimo**<sup>™</sup>  
Architectural Product Testing

Report #: 1601.01-106-11

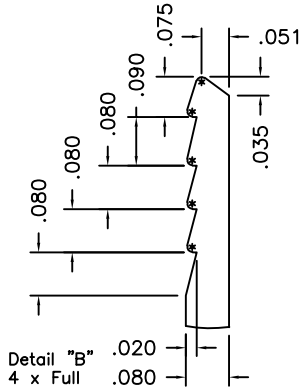
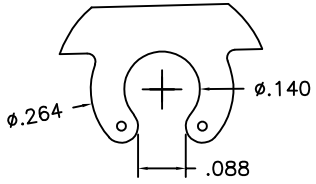
Date: 7/25/2018

By: M Stremmel

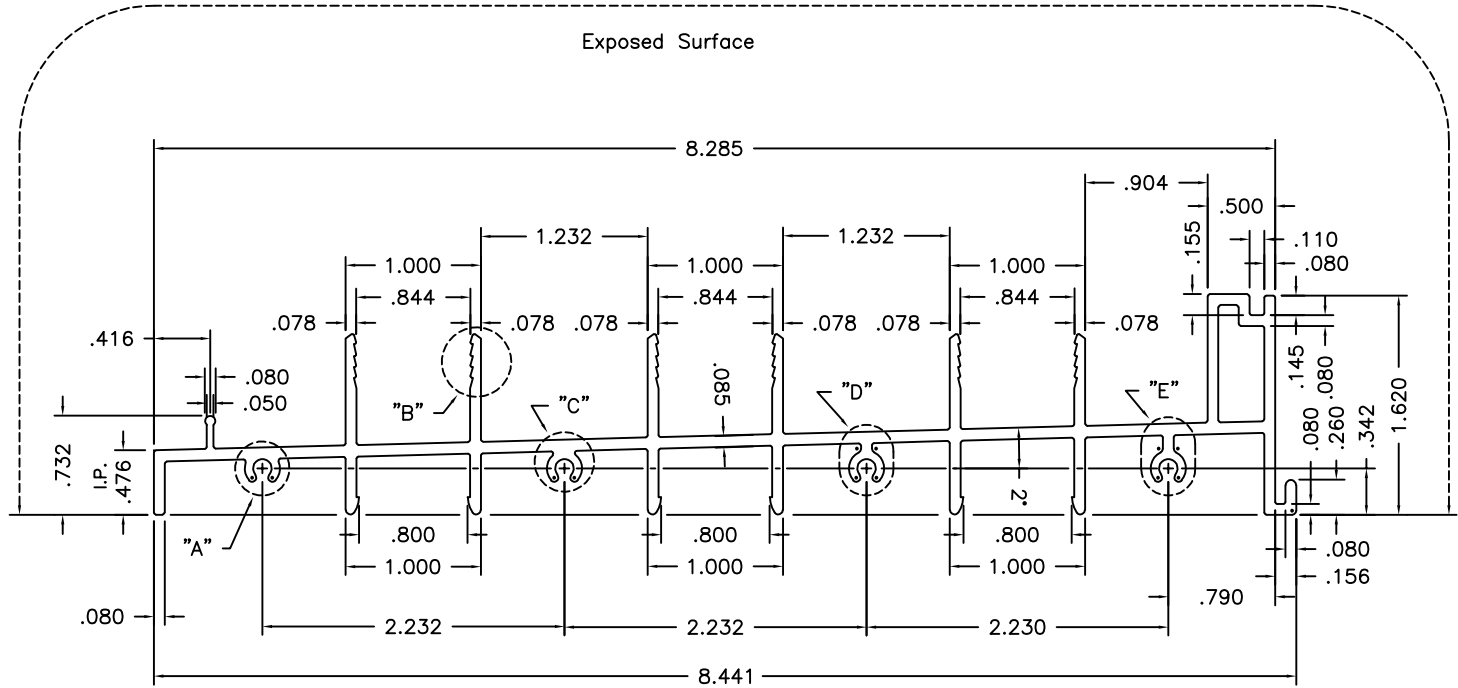
CLASS: Solid	PAINT PERIMETER: 29.812
THERMAL CAVITY: None	CIRCLE SIZE: 8.500

			MATERIAL: 6005-T5		 <b>MI WINDOWS AND DOORS</b> <small>650 WEST MARKET STREET GRATZ, PA 17030-0370</small>		DESCRIPTION: Frame Head, 3-Track, Finless Aluminum Extrusion	
			FINISH: Painted				UNSPECIFIED WALL: .080	
			AREA: 1.798		The information, design or data shown on this document or electronic media is the exclusive property of MI Windows and Doors, LLC. It is considered confidential and proprietary and is made available for limited use only. Its use or reproduction without the expressed written consent of MI Windows and Doors, LLC., is prohibited.		DATE: 06/08/15	
			WEIGHT: 2.158				SCALE: 1 : 1	
			PERIMETER: 45.180		BREAK ALL CORNERS R.015, UNLESS OTHERWISE SPECIFIED		DFTM: T.C.	
- 113A-16 Initial release for extrusion tooling			08/08/16		T.C.		DRAWING NUMBER: AE-000049	
LTR	ECN #	REVISIONS	DATE	BY				

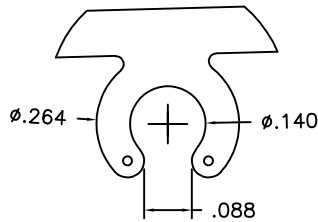
Detail "A"  
4 x Full



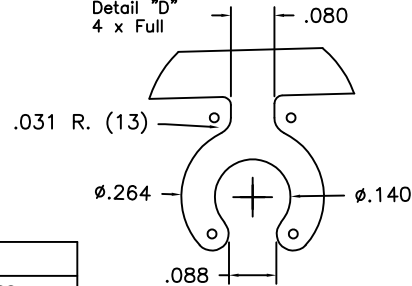
Detail "B"  
4 x Full



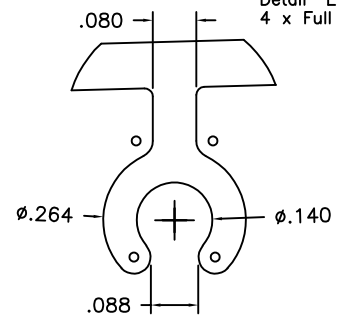
Detail "C"  
4 x Full



Detail "D"  
4 x Full



Detail "E"  
4 x Full



Description	Length	Finish	8-Digit Part #
Frame Sill	180"	Mill	M2522000



Report #: 1601.01-106-11  
Date: 7/25/2018  
By: M Stremmel

CLASS: Hollow	PAINT PERIMETER:
THERMAL CAVITY: None	CIRCLE SIZE: 8.500

MATERIAL: 6005-T5

FINISH: Mill UNSPECIFIED WALL: .080

AREA: 1.721

WEIGHT: 2.065

PERIMETER: 42.875

BREAK ALL CORNERS R.015, UNLESS OTHERWISE SPECIFIED



The information, design or data shown on this document or electronic media is the exclusive property of MI Windows and Doors, LLC. It is considered confidential and proprietary and is made available for limited use only. Its use or reproduction without the expressed written consent of MI Windows and Doors, LLC., is prohibited.

DESCRIPTION: Frame Sill, 3-Track Aluminum Extrusion

PRODUCT: 130/130P Families

SCALE: 1 : 1

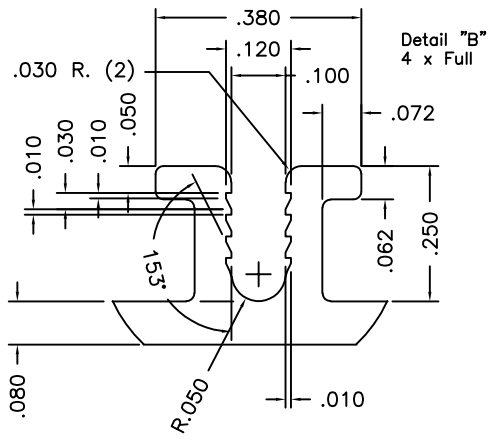
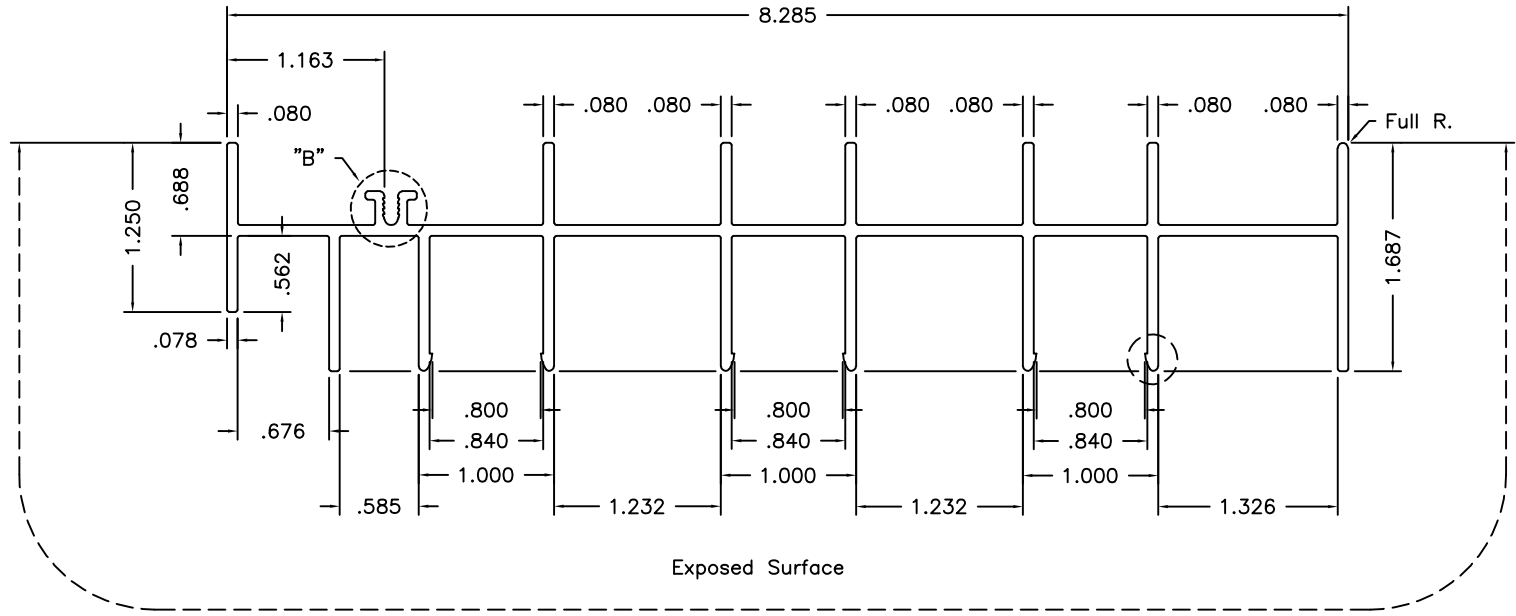
DFTM: T.C.

PART NUMBER: M-2522

DRAWING NUMBER: AE-000051

DATE: 06/08/15

LTR	ECN #	REVISIONS	DATE	BY	T.C.
-	113A-16	Initial release for extrusion tooling	08/08/16		



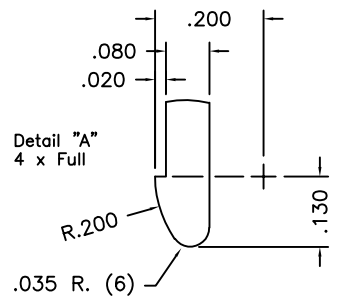
Description	Length	Finish	8-Digit Part #
Frame Jamb	180"	White	M252300C
Frame Jamb	180"	Driftwood	M252300D
Frame Jamb	180"	Bronze	M252300B

**Molimo™**  
Architectural Product Testing

Report #: 1601.01-106-11

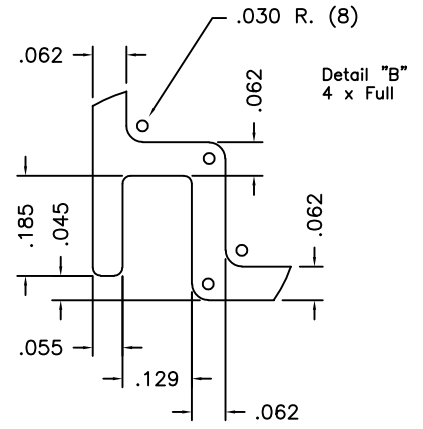
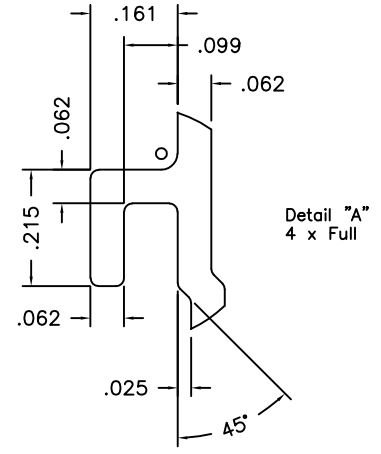
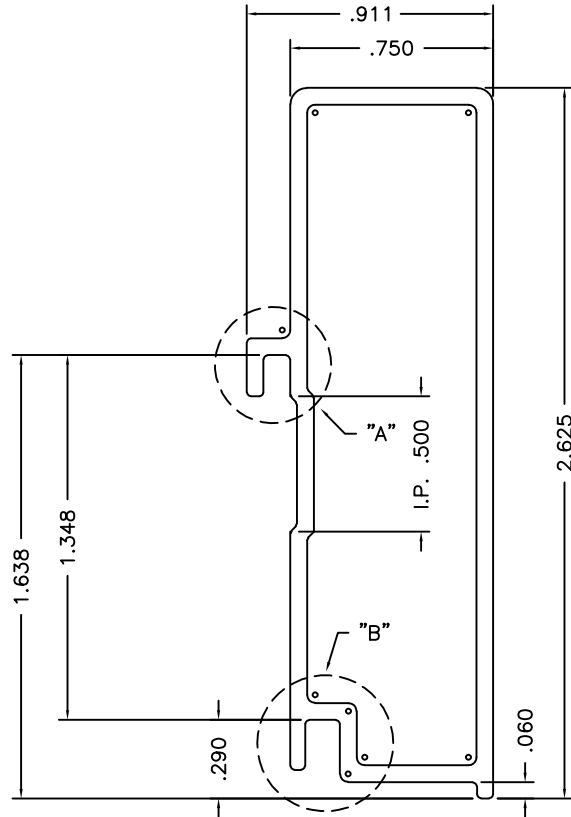
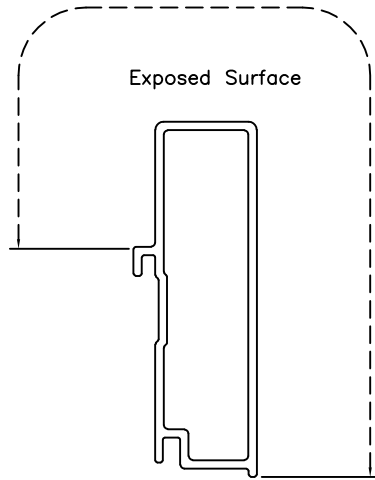
Date: 7/25/2018

By: M Stremmel



CLASS: Solid	PAINT PERIMETER: 26.583
THERMAL CAVITY: None	CIRCLE SIZE: 8.500

				MATERIAL: 6005-T5		<b>MIWD</b> MI WINDOWS AND DOORS 650 WEST MARKET STREET GRATZ, PA 17030-0370		DESCRIPTION: Frame Jamb, 3-Track, Finless Aluminum Extrusion	
				FINISH: Painted		UNSPECIFIED WALL: .080		PRODUCT: 130/130P Families	
				AREA: 1.726		BREAK ALL CORNERS R.015, UNLESS OTHERWISE SPECIFIED		DATE: 06/08/15	
				WEIGHT: 2.072		PERIMETER: 43.205		SCALE: 1 : 1	
				PERIMETER: 43.205				PART NUMBER: M-2523	
								DFTM: T.C.	
								DRAWING NUMBER: AE-000052	
-	113A-16	Initial release for extrusion tooling	08/08/16	T.C.					
LTR	ECN #	REVISIONS	DATE	BY					



Description	Length	Finish	8-Digit Part #
Sill Extender	196"	Mill	M2530000

**Molimo**<sup>TM</sup>  
Architectural Product Testing

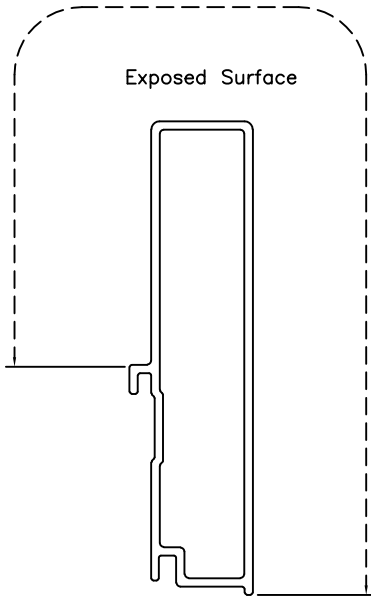
Report #: 1601.01-106-11

Date: 7/25/2018

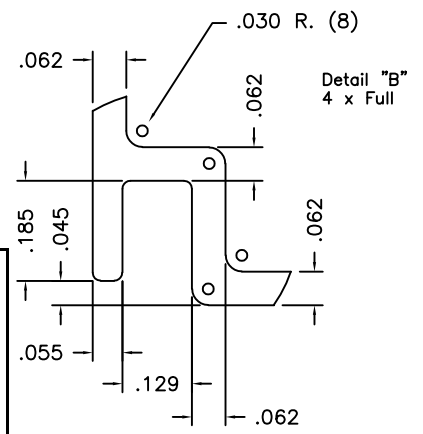
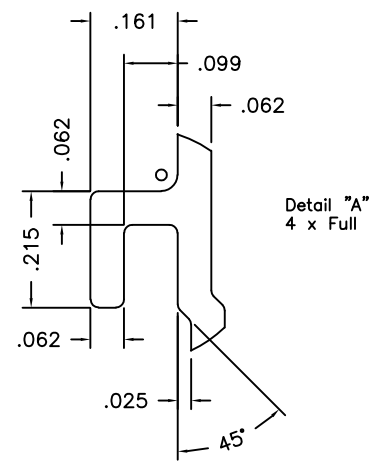
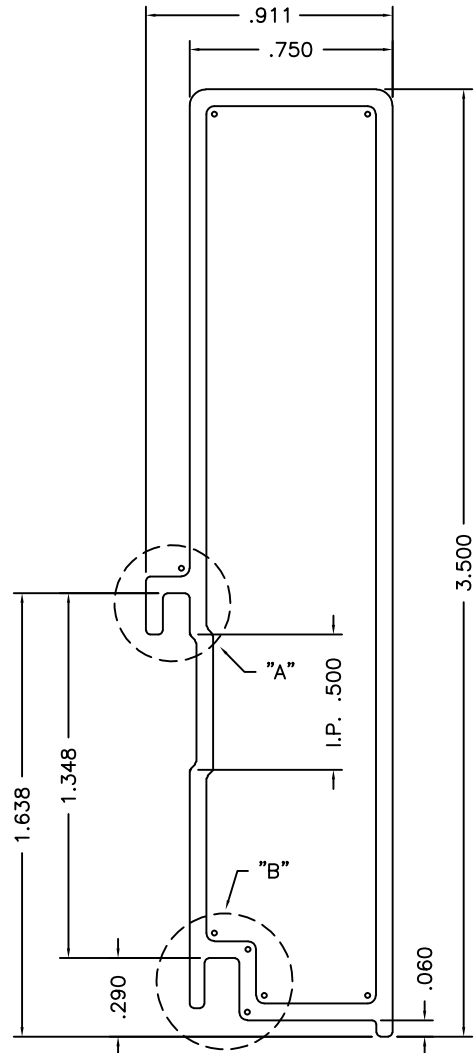
By: M Stremmel

CLASS: Hollow	PAINT PERIMETER: None
THERMAL CAVITY: None	CIRCLE SIZE: 2.750

				MATERIAL: 6063-T5		<b>MIWD</b> MI WINDOWS AND DOORS 650 WEST MARKET STREET GRATZ, PA 17030-0370		DESCRIPTION: Frame Sill Extender, 2.625 Aluminum Extrusion	
				FINISH: Mill	UNSPECIFIED WALL: .062			PRODUCT: 120/130/140 Families	
				AREA: .429	BREAK ALL CORNERS R.015, UNLESS OTHERWISE SPECIFIED		SCALE: 2 : 1		PART NUMBER: M-2530
				WEIGHT: .515			The information, design or data shown on this document or electronic media is the exclusive property of MI Windows and Doors, LLC. It is considered confidential and proprietary and is made available for limited use only. Its use or reproduction without the expressed written consent of MI Windows and Doors, LLC., is prohibited.		DFTM: T.C.
-	069B-15	Initial release for extrusion tooling	07/09/15	T.C.					
LTR	ECN #	REVISIONS	DATE	BY					



Description	Length	Finish	8-Digit Part #
Sill Extender	196"	Mill	M2531000

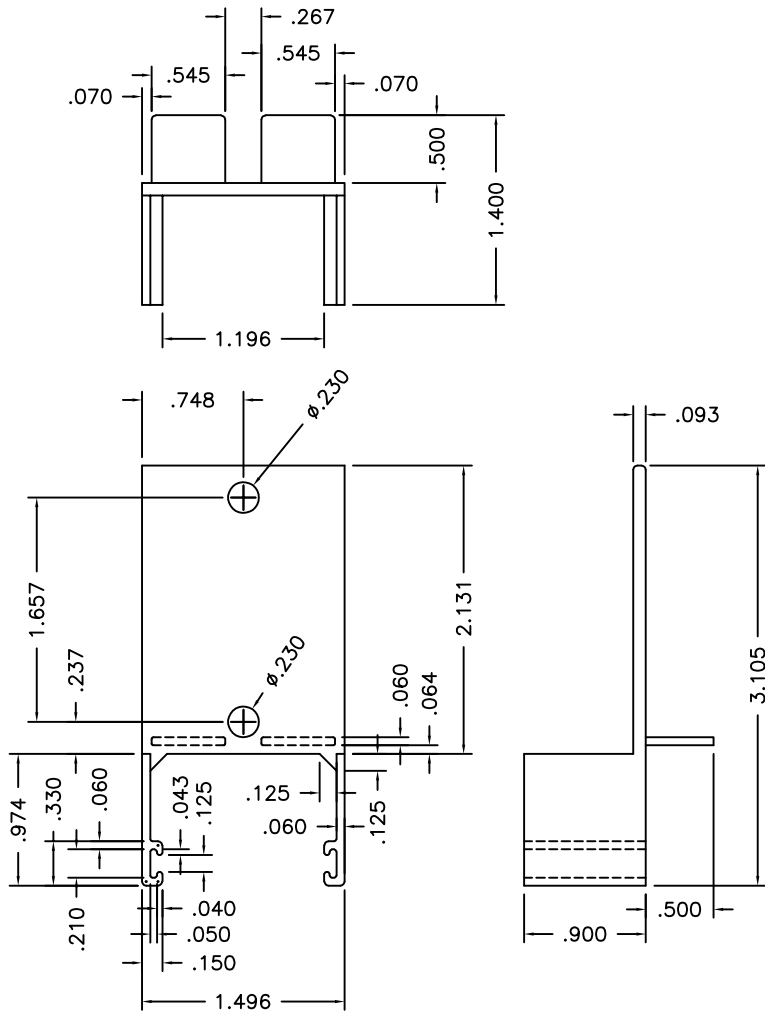


**Molimo**  
Architectural Product Testing

Report #: 1601.01-106-11  
Date: 7/25/2018  
By: M Stremmel

CLASS: Hollow	PAINT PERIMETER: None
THERMAL CAVITY: None	CIRCLE SIZE: 3.625

			MATERIAL: 6063-T5		<b>MIWD</b> MI WINDOWS AND DOORS 650 WEST MARKET STREET GRATZ, PA 17030-0370		DESCRIPTION: Frame Sill Extender, 3.500 Aluminum Extrusion	
			FINISH: Mill	UNSPECIFIED WALL: .062			PRODUCT: 120/130/140 Families	
			AREA: .530	BREAK ALL CORNERS R.015, UNLESS OTHERWISE SPECIFIED	The information, design or data shown on this document or electronic media is the exclusive property of MI Windows and Doors, LLC. It is considered confidential and proprietary and is made available for limited use only. Its use or reproduction without the expressed written consent of MI Windows and Doors, LLC., is prohibited.		SCALE: 2 : 1	
			WEIGHT: .636				PART NUMBER: M-2531	
-	069B-15	Initial release for extrusion tooling	07/09/15	T.C.			DRAWING NUMBER: AE-000060	
LTR	ECN #	REVISIONS	DATE	BY				




Supplier: M&M Plastics

**Molimo**  
Architectural Product Testing

Report #: 1601.01-106-11

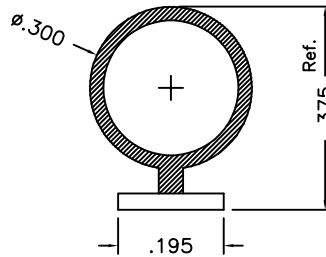
Date: 7/25/2018

By: M Stremmel

					MATERIAL: Nylon	 <b>MIWD</b> MI WINDOWS AND DOORS <small>650 WEST MARKET STREET GRATZ, PA 17030-0370</small>	DESCRIPTION: Injection Moulded Part Weatherstrip Plug		
					FINISH: Black		<p>The information, design or data shown on this document or electronic media is the exclusive property of MI Windows and Doors, LLC. It is considered confidential and proprietary and is made available for limited use only. Its use or reproduction without the expressed written consent of MI Windows and Doors, LLC., is prohibited.</p>	PRODUCT: 120/130/140 Families	DATE: 07/21/15
					UNSPECIFIED WALL:			SCALE: Full	PART NUMBER: IM355000
					AREA:			DFTM: T.C.	DRAWING NUMBER: HW-000056
					WEIGHT:				
LTR	ECN #	REVISIONS	DATE	BY	PERIMETER:				





Actual Size

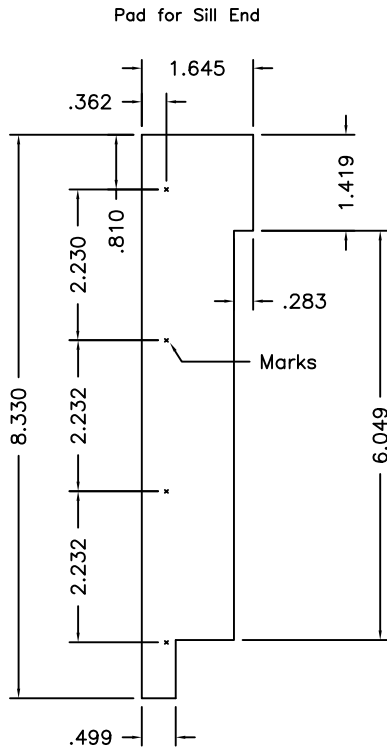


Vendor: Amesbury Truth

Note: All dimensions taken from sample part.

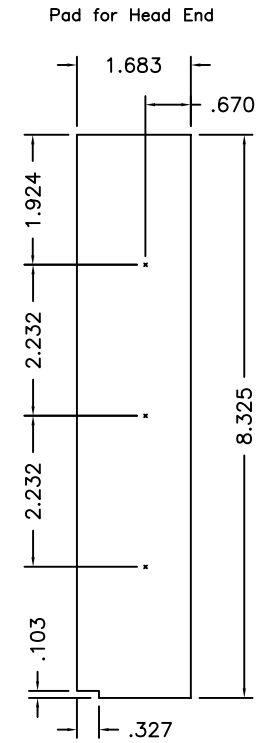
	<b>Molimo</b> <sup>TM</sup> Architectural Product Testing	
	Report #:	1601.01-106-11
	Date:	7/25/2018
	By:	M Stremmel

					MATERIAL:	 <b>MI</b> MI WINDOWS AND DOORS, LLC. 650 WEST MARKET STREET GRATZ, PA 17030-0370	DESCRIPTION: Bulb Seal Panel Interlock			
					FINISH:		The information, design or data shown on this document or electronic media is the exclusive property of MI Windows and Doors, LLC. It is considered confidential and proprietary and is made available for limited use only. Its use or reproduction without the expressed written consent of MI Windows and Doors, LLC., is prohibited.	PRODUCT: 120/120P/130/130P/140/140P    DATE: 08/16/16		
					UNSPECIFIED WALL:			SCALE: 4 : 1	PART NUMBER: MS50021L	
					AREA:			DRAWING NUMBER: HW-000057		
					WEIGHT:					
					PERIMETER:	DFTM: T.C.				
					BREAK ALL CORNERS R.015, UNLESS OTHERWISE SPECIFIED					
LTR	ECN #	REVISIONS	DATE	BY						




Material:  
 $\frac{1}{32}$ " thick foam with  $\frac{1}{16}$ " Butyl

Colors:  
 LH & RH White foam with gray butyl MS50050C  
 LH & RH Black foam with black butyl MS50050L




Material:  
 $\frac{1}{32}$ " thick foam with  $\frac{1}{16}$ " Butyl

Colors:  
 LH & RH White foam with gray butyl MS50051C  
 LH & RH Black foam with black butyl MS50051L



**Molimo**<sup>TM</sup>  
 Architectural Product Testing

Report #: 1601.01-106-11  
 Date: 7/25/2018  
 By: M Stremmel

					MATERIAL: Foam/Nutyl	 <p>650 WEST MARKET STREET GRATZ, PA 17030-0370</p> <p>The information, design or data shown on this document or electronic media is the exclusive property of MI Windows and Doors, LLC. It is considered confidential and proprietary and is made available for limited use only. Its use or reproduction without the expressed written consent of MI Windows and Doors, LLC., is prohibited.</p>	DESCRIPTION: Frame Corner Gaskets Secon		
					FINISH: White/Black UNSPECIFIED WALL:		PRODUCT: 130/130P	DATE: 07/21/15	
					AREA:		SCALE: Half	PART NUMBER: MS50050C,L	
A	None	Part numbers updated to show sets	05/10/17	T.C.	WEIGHT:		DFTM: T.C.	DRAWING NUMBER: HW-000059	
LTR	ECN #	REVISIONS	DATE	BY	PERIMETER:	BREAK ALL CORNERS R.015, UNLESS OTHERWISE SPECIFIED			

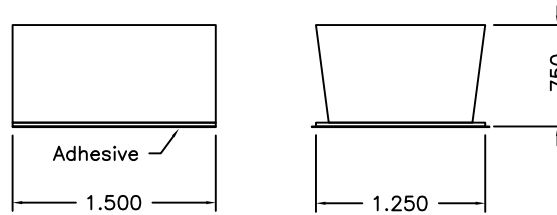







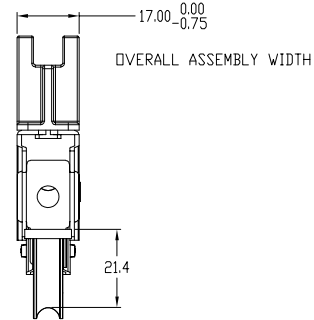
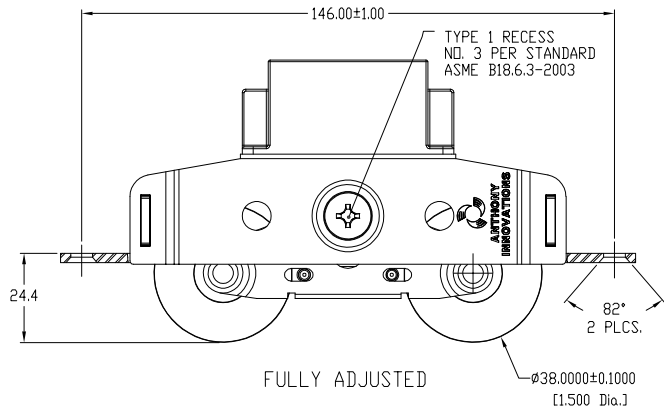
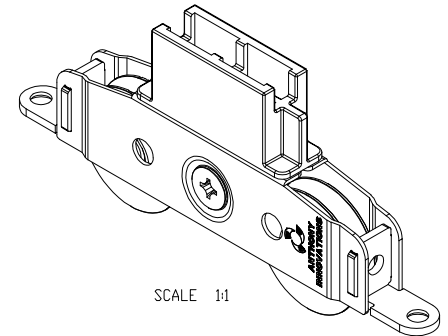
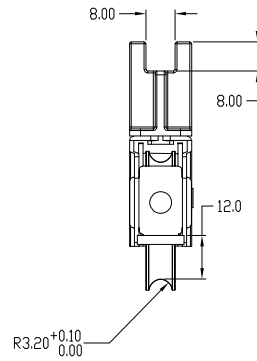
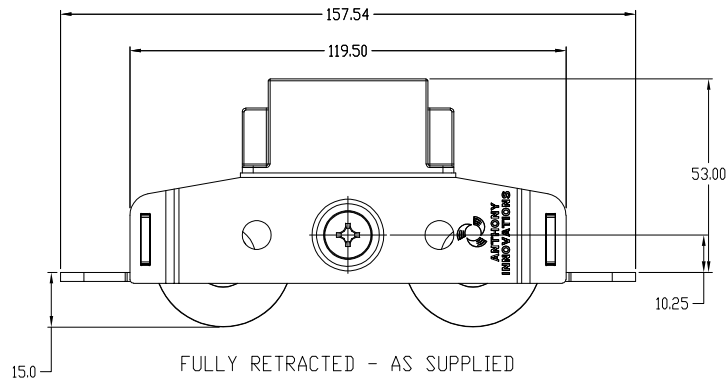
MI 8-Digit Part Number: WS40001G

Supplier: Amesbury  
 Supplier Part Number: 751250GYAD1500



	<b>Molimo</b> <sup>TM</sup> Architectural Product Testing
Report #:	1601.01-106-11
Date:	7/25/2018
By:	M Stremmel

					MATERIAL: Pile W'Strip	 <b>MI</b> MI WINDOWS AND DOORS, LLC. 650 WEST MARKET STREET GRATZ, PA 17030-0370	DESCRIPTION: Weatherstrip Plug, Adhesive Backing Panel Top Bottom Rail Corners			
					FINISH: Grey		UNSPECIFIED WALL:	PRODUCT: 12X, 13X, 14X SGD Families	DATE: 04/10/17	
					AREA:		BREAK ALL CORNERS R.015, UNLESS OTHERWISE SPECIFIED	The information, design or data shown on this document or electronic media is the exclusive property of MI Windows and Doors, LLC. It is considered confidential and proprietary and is made available for limited use only. Its use or reproduction without the expressed written consent of MI Windows and Doors, LLC., is prohibited.		
					WEIGHT:			SCALE: 1 : 1	PART NUMBER: WS40001G	
-	O41A-17	Initial release	04/10/17	T.C.	PERIMETER:			DFTM: T.C.	DRAWING NUMBER: HW-000070	
LTR	ECN #	REVISIONS	DATE	BY						



INNER AND OUTER CARRIAGE 1.2mm  
END TAGS 2.2mm

ADJUSTMENT SCREW, BUSH  
AND AXLES MADE FROM  
303 STAINLESS STEEL.

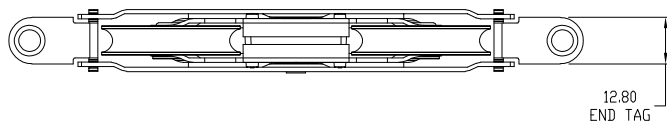
PRECISION BEARINGS

ISO 492:2002  
NORMAL TOLERANCE CLASS

ALL PLASTIC PARTS  
ACETAL

CUSTOMER SIGNATURE REQUIRED FOR PRODUCTION APPROVAL & ACCEPTANCE OF THE ANTHONY GROUP'S TERMS & CONDITIONS OF SALE (DESIGN CHANGES SUBSEQUENT TO THIS SIGNATURE MAY BE AT COST TO THE CUSTOMER)

SIGNED:.....DATE:.....



**Molimo**  
Architectural Product Testing

Report #: 1601.01-106-11

Date: 7/25/2018

By: M Stremmel

PART NUMBER	CARRIAGE MATERIAL	BEARING MATERIAL	TYRE MATERIAL	LOAD RATING
S7143DNA	MILD STEEL	CHROME STEEL	ACETAL	80kg (176lb)
S7143DPA	MILD STEEL	CHROME STEEL	ACETAL	100kg (220lb)
S7143DGA	MILD STEEL	CHROME STEEL	MILD STEEL	100kg (220lb)
SS7143DSNA	STAINLESS STEEL	STAINLESS STEEL	ACETAL	80kg (176lb)
SS7143DSPA	STAINLESS STEEL	STAINLESS STEEL	ACETAL	100kg (220lb)
SS7143DSGA	STAINLESS STEEL	STAINLESS STEEL	STAINLESS STEEL	100kg (220lb)

DRAWN TO AS1100		DO NOT SCALE		UNSPECIFIED TOLERANCES ± 0.25	
30NOV16	-	RK	DJJ	DJJ	RELEASED FOR CUSTOMER APPROVAL
DATE	ECR No.	DRN	CKD	AUTH	REVISION

MI Drawing # HW-000071  
MI 8-Digit Part # HD300300  
Anthony Innovations Part # SS7143DSPA

3RD ANGLE PROJECTION  
DIMENSIONS IN MILLIMETRES

THIS DOCUMENT IS THE PROPERTY OF ANTHONY INNOVATIONS PTY. LTD.  
IT IS STRICTLY CONFIDENTIAL AND SUBJECT TO RETURN UPON REQUEST.  
IT MUST NOT BE TRACED, COPIED OR EXHIBITED WITHOUT WRITTEN PERMISSION.

FINISH	SEE NOTES		COLOR	DESC.	DUAL WHEEL ROLLER	DRAWING No.	1082779	REVISION
MATL	WEIGHT	MODIFIED BY	30-Nov-16 04:00:00 PM	30-Nov-16 04:00:00 PM	ANTHONY INNOVATIONS PTY LTD A MEMBER OF THE ANTHONY GROUP	ASSEM No.	REFER TABLE	CA1
SCALE	1:1	CREATED BY	Renu Kumar	30-Nov-16 02:00:00 PM		DRAWING NAME	1082779 REV: 1.1	
SHEET	1 OF 1	RELEASED BY	Derek Jefferson	30-Nov-16 04:00:00 PM		3D MODEL NAME	1082777 REV: .0	A2

88 KEEN PARADE HOMASTON, 3074 MELBOURNE, AUSTRALIA  
www.anthonynovations.com.au  
TEL +61 (0)3 9469 1166  
FAX 7504522028  
DOC No. 18F  
COPYRIGHT 2016 - ANTHONY INNOVATIONS