

**GENERAL NOTES:**

1. ALL FASTENERS SHALL BE IN ACCORDANCE WITH THESE DRAWINGS. SPECIFIED ANCHOR EMBED TO BASE MATERIAL SHALL BE BEYOND WALL FINISH OR STUCCO.
2. OPENINGS, BUCKING & BUCKING FASTENERS MUST BE PROPERLY DESIGNED & INSTALLED TO TRANSFER WIND LOADS TO THE STRUCTURE.
3. THESE NON-IMPACT RATED PRODUCT INSTALLATIONS ARE IN ACCORDANCE WITH AND MEET THE REQUIREMENTS OF THE 2018 INTERNATIONAL BUILDING CODE (IBC).
4. ALL ANCHORS SECURING PRODUCT FRAME TO PRESSURE TREATED BUCKS OR WOOD FRAMING SHALL BE CAPABLE OF RESISTING CORROSION CAUSED BY THE PRESSURE TREATING CHEMICALS IN THE WOOD.
5. TO THE BEST OF OUR KNOWLEDGE, THE PRODUCT SHOWN HEREIN IS CERTIFIED & QUALITY ASSURED BY A NATIONALLY ACCREDITED CERTIFICATION/QA ENTITY & SHALL BE LABELED IN ACCORDANCE WITH CERTIFICATION/QA ENTITIES SPECIFICATIONS. PRODUCT ASSEMBLY IS NOT PART OF THIS DRAWING AND SHALL BE IN ACCORDANCE WITH THE MANUFACTURER'S QUALITY ASSURANCE SPECIFICATIONS & TESTING REPORTS.
6. CERTIFICATION OF THESE PRODUCT INSTALLATIONS SHALL BE CONSIDERED VOID IF ANY OF THE FOLLOWING APPLY: 1) THEY ARE INSTALLED WITHOUT A BUILDING PERMIT FROM THE APPLICABLE LOCAL BUILDING DEPARTMENT. 2) IF THEY ARE INSTALLED BY ANYONE OTHER THAN A LICENSED CONTRACTOR EXPERIENCED WITH WINDOW/DOOR INSTALLATIONS. 3) IF CHANGES HAVE OCCURRED TO THE PRODUCT'S CERTIFICATION ENTITY'S CERTIFICATE THAT CAUSE THESE INSTALLATIONS TO BE INCORRECT OR INCONSISTENT WITH WHAT HAS BEEN TESTED.
7. THE LEAST DESIGN PRESSURE SPECIFIED EITHER IN THIS DRAWING OR IN THE PRODUCTS CERTIFICATION SHALL CONTROL FOR THE INSTALLED PRODUCT.
8. THESE DRAWINGS CERTIFY THE PRODUCT INSTALLATION ONLY. WATER PROOFING OF THE INSTALLED PRODUCT IS NOT PART OF THIS INSTALLATION CERTIFICATION. THAT RESPONSIBILITY SHALL BE THAT OF THE MANUFACTURER &/OR INSTALLER.

INSTALLATION EVALUATION IS BASED ON APPLICABLE ANCHOR STANDARDS AND/OR INFORMATION & RESULTS FROM APPLICABLE TEST REPORTS. THE BUILDING CODE VERSION CONSIDERED WITH THE EVALUATION WAS THAT IN FORCE AT THE TIME OF THE EVALUATION. IN THE EVENT OF CODE VERSION CHANGES/UPDATES OR IN THE EVENT THAT NEW OR ADDITIONAL TESTING IS COMPLETED ON THE REFERENCED PRODUCT, PRIOR TO STATING CODE COMPLIANCE, THE MANUFACTURER SHALL CONFIRM WITH THE INSTALLATION EVALUATION ENGINEER OF RECORD THAT THE INSTALLATIONS SPECIFIED HERE-IN ARE CURRENT WITH THE THEN CURRENT TESTING, CODE AND APPLICABLE STANDARDS.

**ANCHOR/SUBSTRATE EVALUATION NOTE:**

ALL ANCHORS IN THEIR SPECIFIED SUBSTRATES HAVE BEEN ANALYZED IN ACCORDANCE WITH THEIR APPLICABLE STANDARD(S) AND ARE FOUND TO BE CAPABLE OF SUPPORTING ALL LOADS IMPOSED ON THEM UNDER THE GUIDELINES OF THIS DOCUMENT. ANY SUBSTRATES OR CONDITIONS OUTSIDE OF WHAT IS SHOWN HERE-IN SHALL BE SUBJECT TO JOB SPECIFIC ENGINEER'S REVIEW & CERTIFICATION.

**FRAME ANCHOR REQUIREMENTS TABLE**

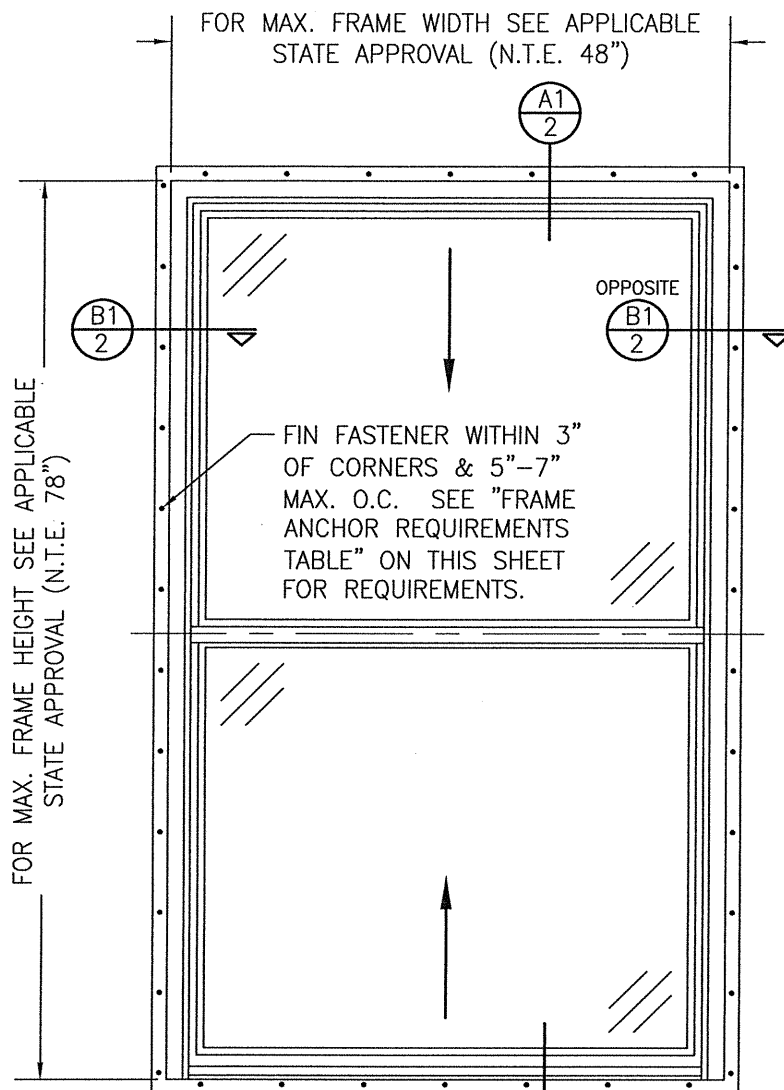
**(3) FRAME SCREWS**

OPENING TYPE (SUBSTRATE)	FRAME TO OPENING FASTENER TYPE	MINIMUM EMBED	MINIMUM EDGE DIST.
MIN. 2X4 WOOD FRAME OR BUCK (MIN. GR. 3 & G=0.55)	NO. 10 SMS OR WOOD SCREW	1 1/4"	3/4"
MIN. 18 GA. 33 KSI METAL STUD	NO. 10 GR. 5 SELF TAP/DRILL SCREW	FULL	1/2"
MIN. 1/8" THK A36 STEEL	NO. 10 GR. 5 SELF TAP/DRILL SCREW	FULL	1/2"
MIN. 1/8" THK 6063-T5 ALUM.	NO. 10 GR. 5 SELF TAP/DRILL SCREW	FULL	1/2"
C-90 CMU/2500 PSI CONCRETE	(1) 1/4" CONCRETE SCREW	1 1/4"	2"

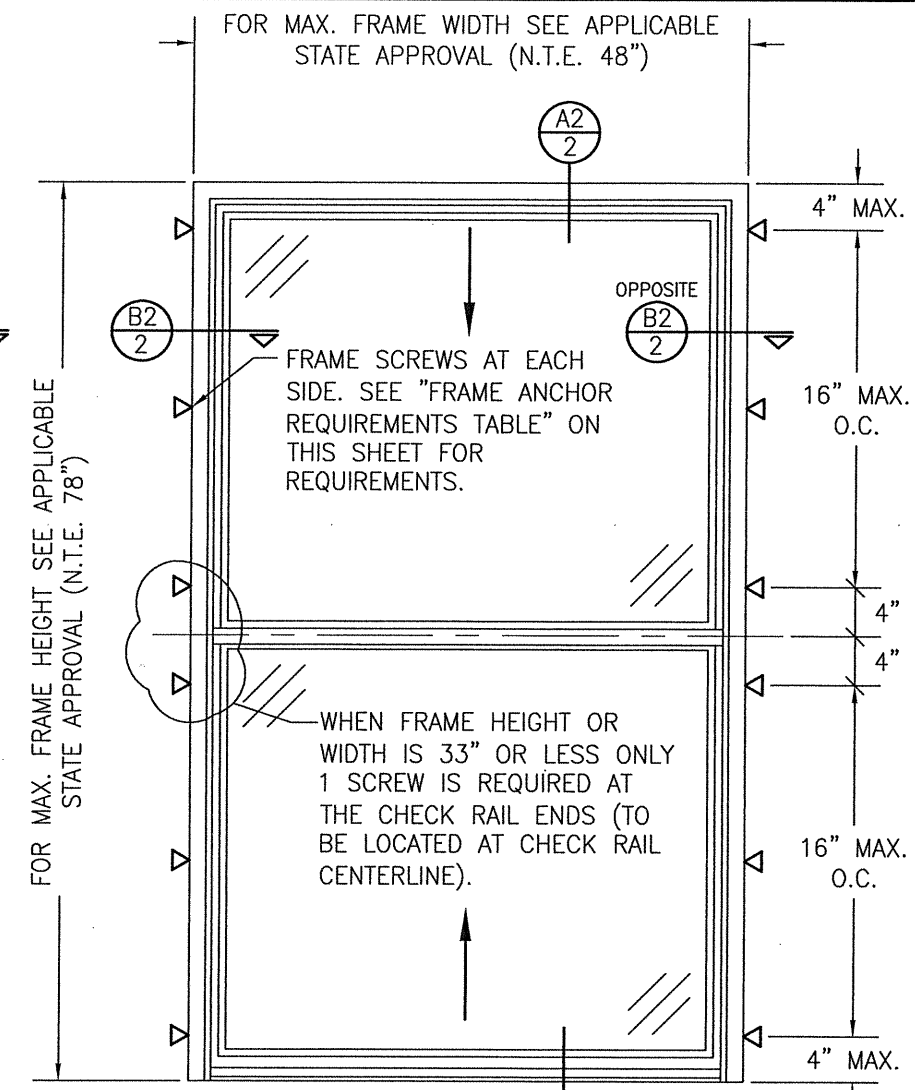
**(2) NAILING FIN FASTENERS**

MIN. 2X4 WOOD FRAME OR BUCK (MIN. GR. 3 & G=0.55)	NO. 8 X 1 1/2" SMS	1 3/8"	1/2"
MIN. 2X4 WOOD FRAME OR BUCK (MIN. GR. 3 & G=0.55)	1 1/2" X 11 GA. ROOFING NAIL	1 3/8"	1/2"
MIN. 1/8" THK A36 STEEL	NO. 8 GR. 5 SELF TAP/DRILL SCREW	FULL	1/2"
MIN. 1/8" THK 6063-T5 ALUM.	NO. 8 GR. 5 SELF TAP/DRILL SCREW	FULL	1/2"

- (1) CONCRETE SCREWS SHALL BE ELCO ULTRACONS (C.S.), ELCO CRETE-FLEX (S.S.), ITW RAMSET/RED HEAD TAPCONS (C.S. OR S.S.) OR HILTI KWIK-CON II (C.S OR S.S.).
- (2) WHEN SCREWS ARE USED WITH THE NAIL FIN, THEY MUST BE A WAFFLE HEAD SCREW OR HAVE A FLAT WASHER AT THE SCREW HEAD.
- (3) FRAME SCREWS MUST BE A PAN OR HEX HEAD SCREW.



**EXTERIOR ELEVATION:  
SINGLE WINDOW**  
SCALE: 3/4" = 1'-0"  
(NAIL FIN MOUNT CONDITION)



**EXTERIOR ELEVATION:  
SINGLE WINDOW**  
SCALE: 3/4" = 1'-0"  
(FRAME SCREW MOUNT CONDITION)

**ALLOWABLE DESIGN PRESSURE**

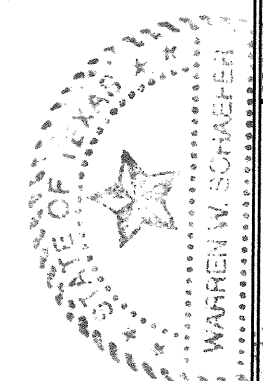
MAX. FRAME WIDTH (IN.)	MAX. FRAME HEIGHT (IN.)	ALLOWABLE PRESSURE (+/- PSF) (1)
48	78	30
48	54	50
42	66	50
37	72	50

CONDITIONS SHOWN ON THIS DRAWING ARE GOVERNED BY INSTALLATION REQUIREMENTS ONLY. THE GOVERNING CONDITIONS ON ANY SPECIFIC WINDOW SHALL BE THE LESSER OF THOSE SPECIFIED IN THE WINDOWS TDI APPROVAL OR THAT SHOWN IN THESE DRAWINGS.

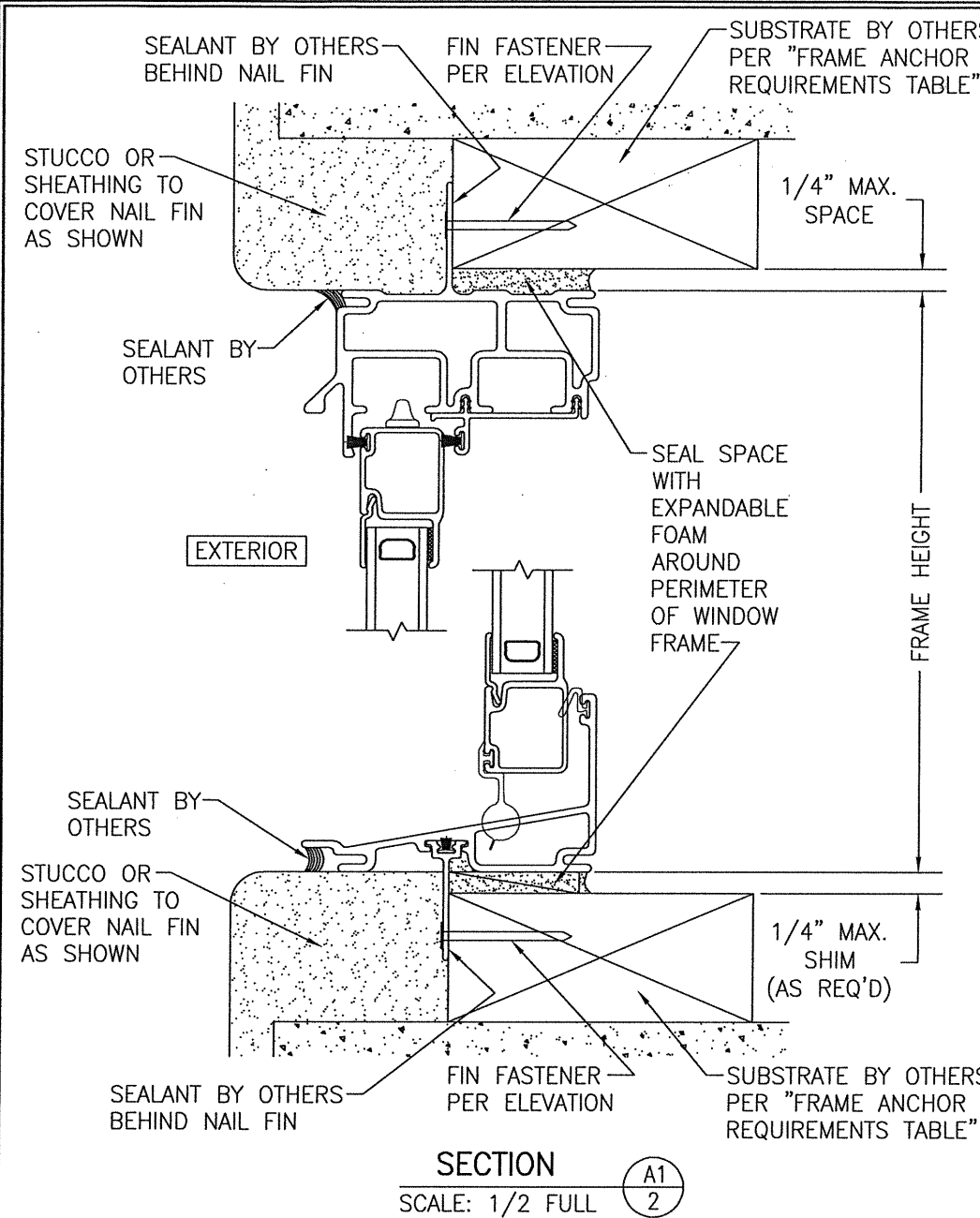
**INSTALLATION NOTE:**

WHEN NECESSARY, INSTALLATION METHODS MAY BE MIXED WITH ANY ONE WINDOW SUCH THAT INDIVIDUAL SIDES OF THE WINDOW MAY USE ONE OR THE OTHER ANCHOR METHOD (EXAMPLE: LEFT SIDE MAY USE FRAME SCREW METHOD WHILE OTHER SIDES USE NAIL FIN)

DRAWN BY: W.W.S.	CHECKED BY: W.W.S.
PLOT: 1=16	DATE: 07/08/14
DATE: 02/07/20	BY: WWS
REVISION DESCRIPTION: UPDATE TO CURRENT STANDARDS	NO.:
JOB INFORMATION: <b>PELLA CORPORATION</b> 102 MAIN STREET PELLA, IA 50219 641-621-1000	
DRAWING TITLE: <b>IMPERVIA NON-IMPACT DOUBLE HUNG WINDOW</b>	
CONSULTANTS: <b>W. W. SCHAEFER ENGINEERING &amp; CONSULTING, P.A. (REG. NO. F-14980)</b> 7480 150TH COURT NORTH PALM BEACH GARDENS, FL 33418 PHONE: 561-744-3424	
DRAWING NO. 1654T REV. A	
SHEET NO. 1 OF 3	

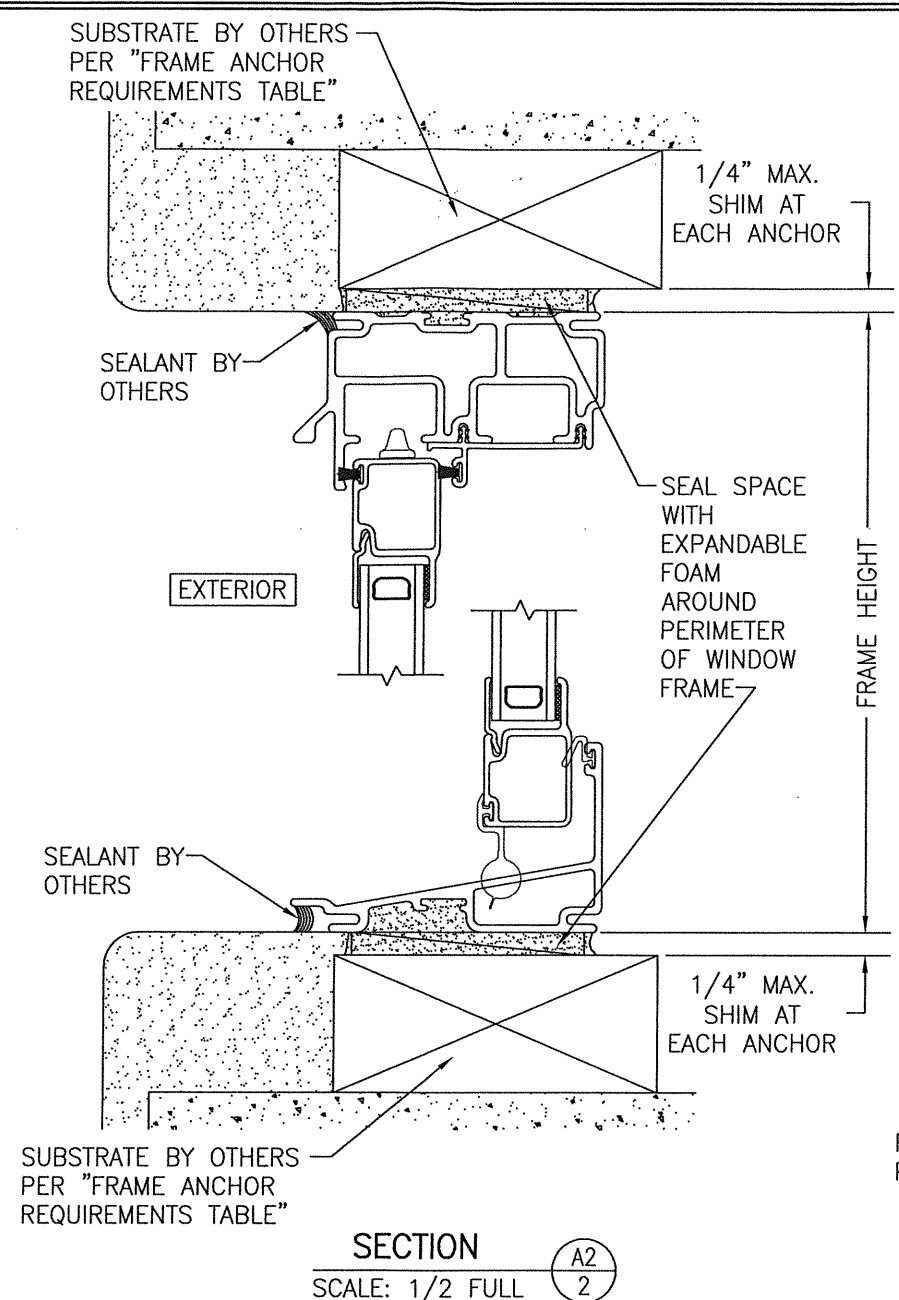


THESE DRAWINGS ARE APPLICABLE ONLY TO THE PRODUCT SPECIFIED. THEY MAY NOT BE USED FOR THE ASSEMBLY AND/OR INSTALLATION OF ANY OTHER PRODUCT NOR MAY THEY BE USED FOR RATIONAL AND/OR LOCAL APPROVAL OF ANY PRODUCT NOT PRODUCED BY THE MANUFACTURER STATED ON THESE DRAWINGS.



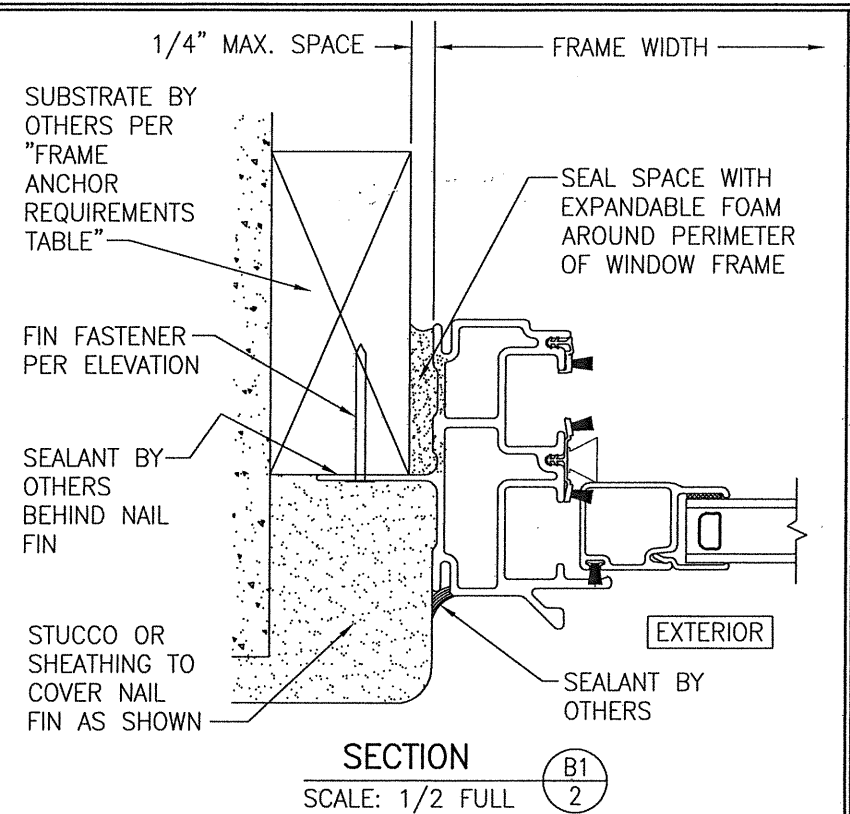
SECTION A1  
SCALE: 1/2 FULL

INTEGRAL NAIL FIN MOUNT CONDITION SHOWN AT HEAD. SEE DETAIL ON SHEET 3 FOR SLIDE-IN NAIL FIN MOUNT CONDITION.



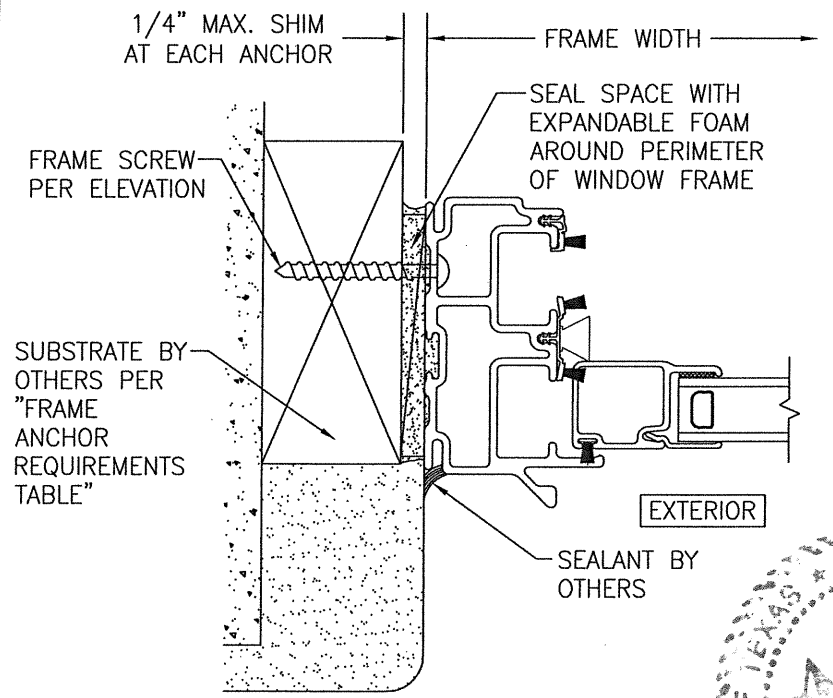
SECTION A2  
SCALE: 1/2 FULL

TYPICAL FRAME CONDITION SHOWN. SEE DETAILS ON SHEET 3 FOR DIRECT MOUNT CONDITION.



SECTION B1  
SCALE: 1/2 FULL

INTEGRAL NAIL FIN MOUNT CONDITION SHOWN AT HEAD. SEE DETAIL ON SHEET 3 FOR SLIDE-IN NAIL FIN MOUNT CONDITION.



SECTION B2  
SCALE: 1/2 FULL

TYPICAL FRAME CONDITION SHOWN. SEE DETAILS ON SHEET 3 FOR DIRECT MOUNT CONDITION.

DRAWN BY: W.W.S.	CHECKED BY: W.W.S.
PLOT: 1=2	DATE: 07/08/14
DATE	
BY	
REVISION DESCRIPTION	
NO.	

DRAWING TITLE: IMPERVIA NON-IMPACT DOUBLE HUNG WINDOW

CONSULTANTS: PELLA CORPORATION  
102 MAIN STREET  
PELLA, IA 50219  
641-621-1000

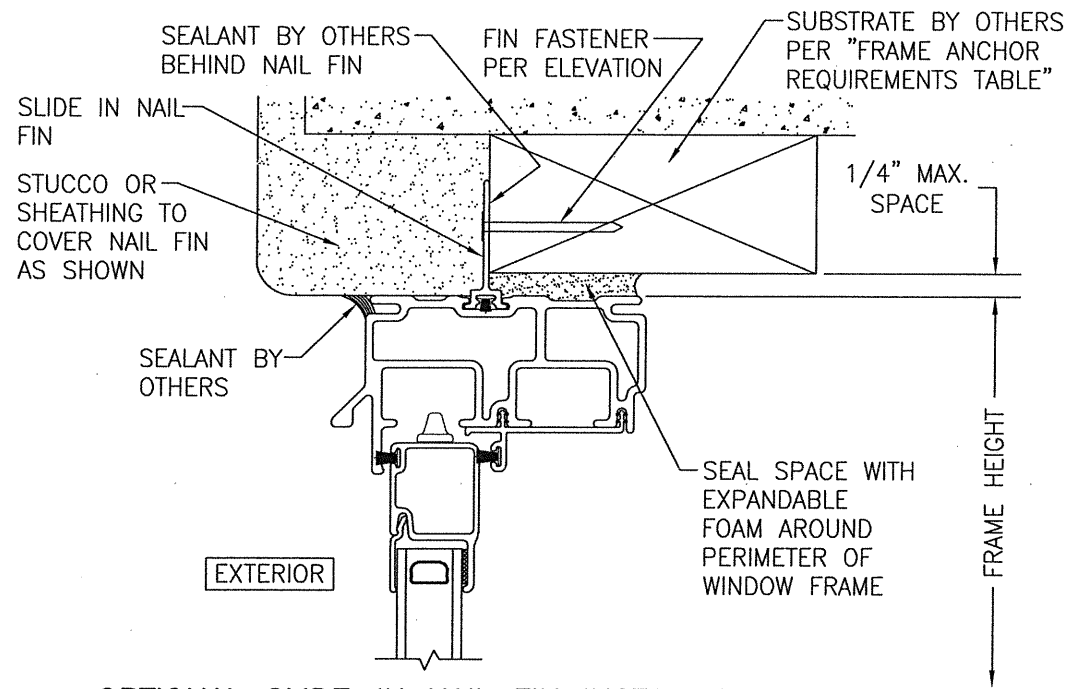
W. W. SCHAEFER ENGINEERING & CONSULTING, P.A. (REG. NO. F-14980)  
7480 150TH COURT NORTH, 33418  
PALM BEACH GARDENS, FL  
PHONE: 561-744-3424

CERTIFICATION: WARREN M. SCHAEFER, P.E.  
P.E. NO. 113487

DATE: JUL 17 2010

DRAWING NO. 1654T  
REV. A

SHEET NO. 2 OF 3

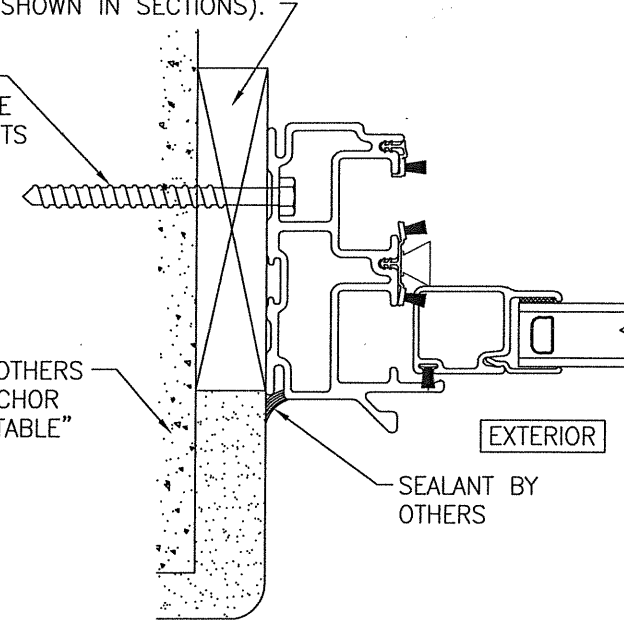


**OPTIONAL SLIDE-IN NAIL FIN INSTALLATION DETAIL**  
 (HEAD SECTION SHOWN, SILL & SIDES ARE INSTALLED THE SAME)

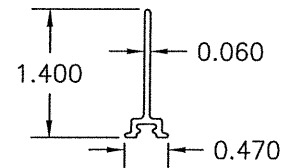
CONTINUOUS WOOD MEMBER LESS IN THICKNESS THAN A 2X BUCK TO BE MIN. 3 1/2" DEEP (NOT REQUIRED WHEN SHIM SPACE IS WITHIN ALLOWABLE DIMENSIONS SHOWN IN SECTIONS).

FRAME SCREW PER ELEVATIONS & "FRAME ANCHOR REQUIREMENTS TABLE"

SUBSTRATE BY OTHERS PER "FRAME ANCHOR REQUIREMENTS TABLE"



**OPTIONAL DIRECT MOUNT DETAIL TO SUBSTRATE WITH SPACER**



**RIGID PVC SLIDE-IN NAIL FIN**

DRAWN BY: W.W.S.	CHECKED BY: W.W.S.
PLOT: 1=2	DATE: 07/08/14
NO.	REVISION DESCRIPTION
BY	DATE
DRAWING TITLE <b>IMPERVIA NON-IMPACT DOUBLE HUNG WINDOW</b>	
JOB INFORMATION: <b>PELLA CORPORATION</b> 102 MAIN STREET PELLA, IA 50219 641-621-1000	
CONSULTANTS <b>W. W. SCHAEFER ENGINEERING &amp; CONSULTING, P.A. (REG. NO. F-14980)</b> 7480 150TH COURT NORTH PALM BEACH GARDENS, FL 33418 PHONE: 561-744-3424	
CERTIFICATION STATE OF TEXAS WARREN W. SCHAEFER LICENSED PROFESSIONAL ENGINEER JUL 17 2020 WARREN W. SCHAEFER, P.E. P.E. NO. 113487	
DRAWING NO. <b>1654T</b>	REV. <b>A</b>
SHEET NO. <b>3 OF 3</b>	