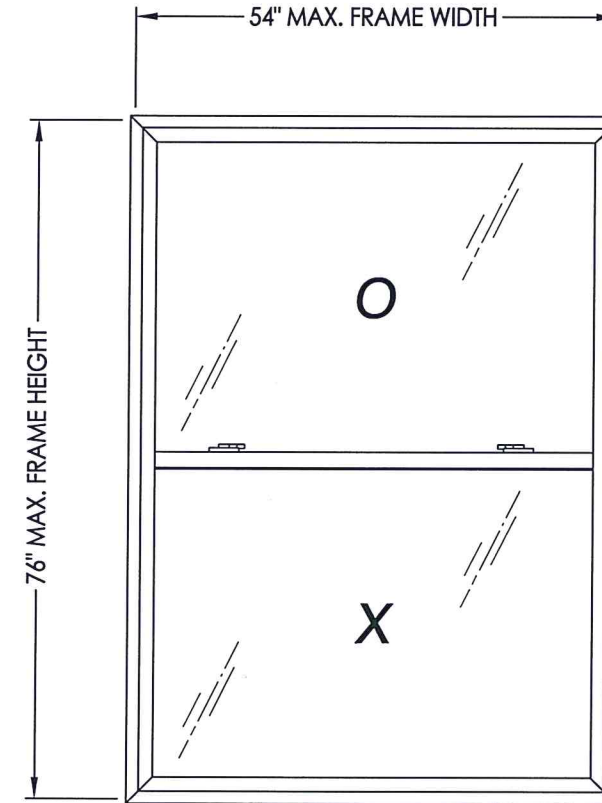


MODEL 3100 SINGLE HUNG WINDOW "IMPACT"



EVALUATED FOR USE IN THE STATE OF TEXAS

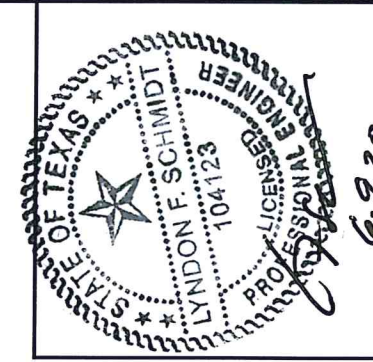
TDI WIN-680

The Single Hung Window described herein complies with the 2018 International Residential Code (IRC), Sections R301 & R609 and the 2018 International Building Code (IBC), Sections 1404.13, 1609, 1709.5, 2403 and 2404 subject to the following conditions:

1. Anchors shall be as listed and spaced as shown in the details. Anchor embedment to base material shall be beyond roof covering.
2. When used in areas requiring wind-borne debris protection, this product complies with Section R301.2.1.2 of the IRC and Section 1609.2 of the IBC and does not require impact protection. This product meets missile level "D" and includes Wind Zone 3 as defined in ASTM E 1996.
3. Allowable design pressure requirements must be equal to or less than the design pressure rating shown in the design pressure chart, sheet 1 of this drawing.
4. Conditions not covered by this drawing are subject to further engineering analysis.

TABLE OF CONTENTS	
SHEET#	DESCRIPTION
1	Typical elevations, design pressures & general notes
2	Vertical & horizontal cross sections & frame anchoring
3	Bill of materials, glazing details and components

OVERALL FRAME DIMENSION	OVERALL (O) D.L.O. DIMENSION	OVERALL (X) D.L.O. DIMENSION	GLASS TYPE	DESIGN PRESSURE (PSF)	
				POSITIVE	NEGATIVE
54.0" x 76.0"	48.87" x 33.87"	48.12" x 33.87"	G1	+50.0	-50.0

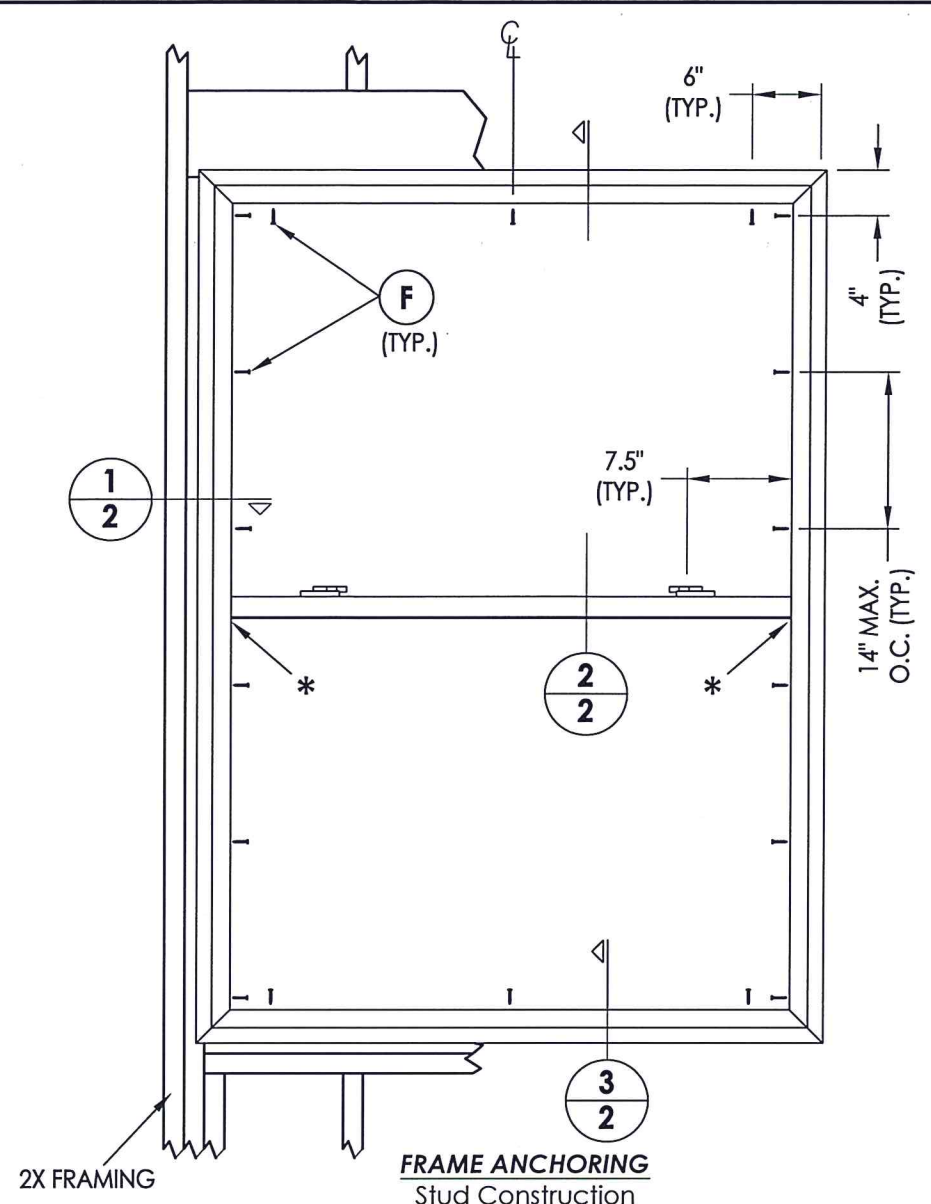


Documents Prepared By: Lyndon F. Schmidt, P.E.
TEXAS P.E. #104123
6.9.20

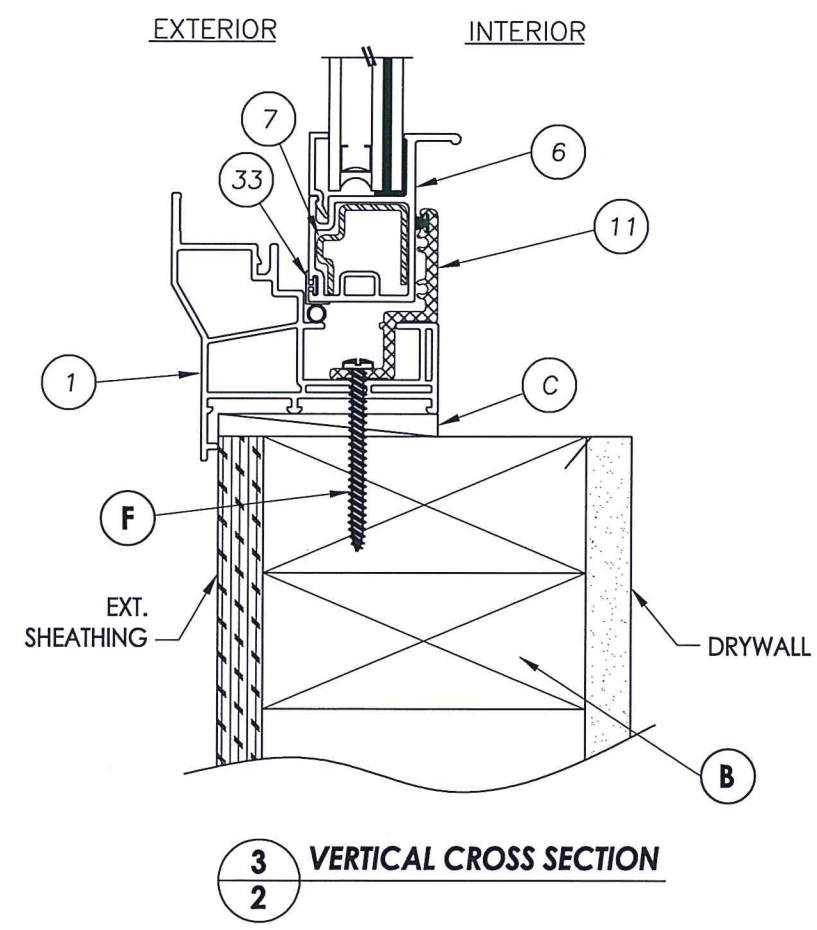
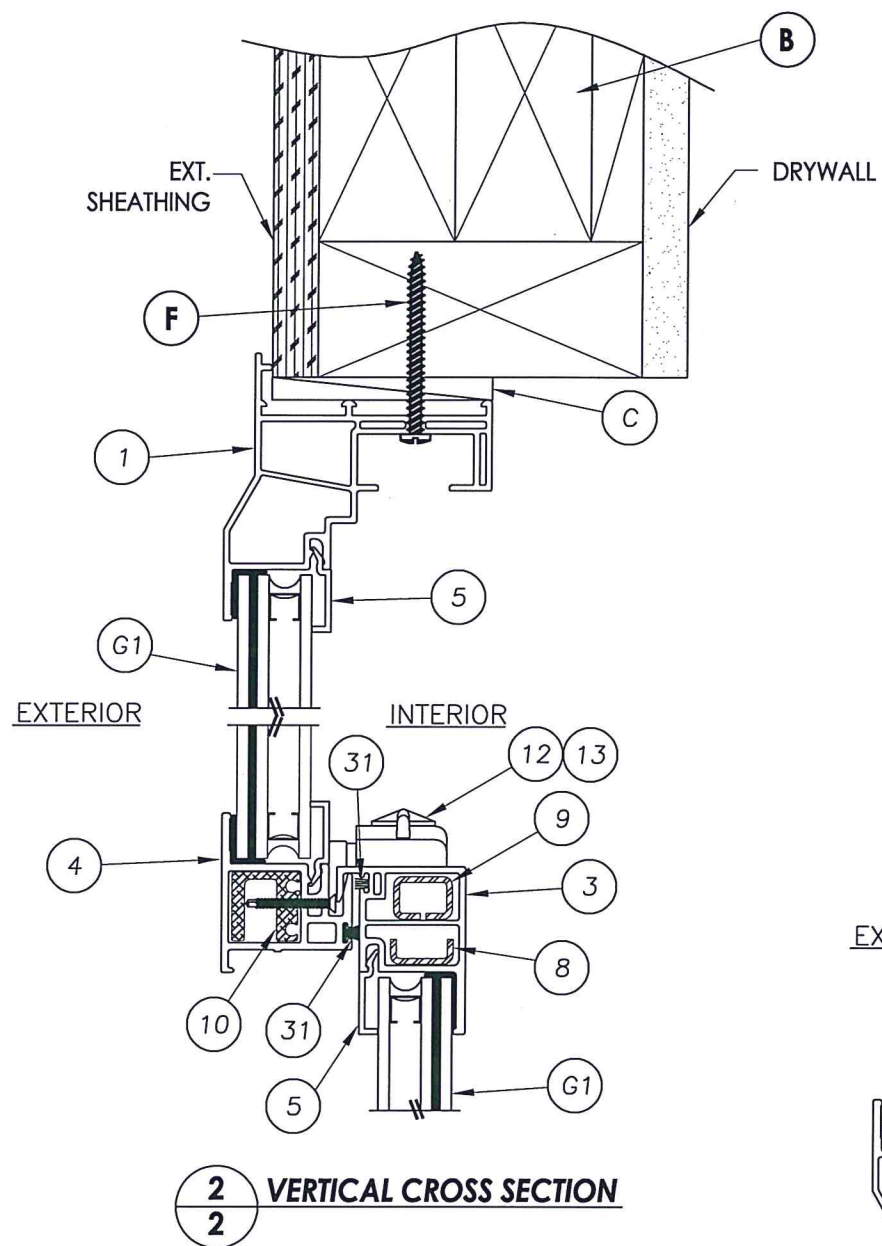
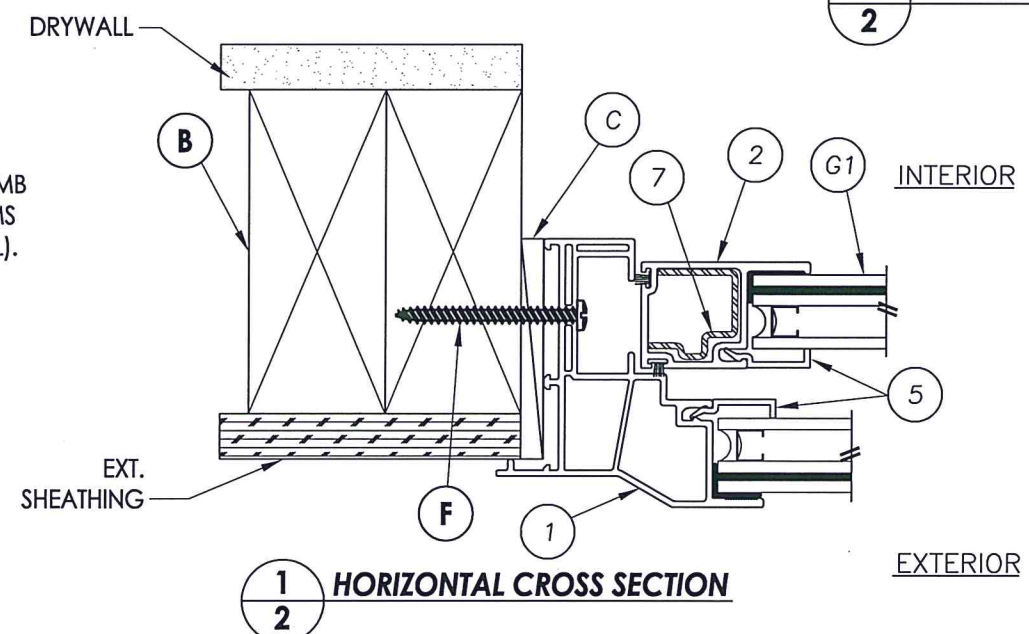
RW BUILDING CONSULTANTS, INC.
P.O. Box 230 Vairico FL 33595
Phone No.: 813.659.9197

TEXAS BOARD OF PROFESSIONAL ENGINEERS
CERTIFICATE OF REGISTRATION # F-11852

PRODUCT:	SINGLE HUNG WINDOW
PART OR ASSEMBLY:	TYPICAL ELEVATION, DESIGN PRESSURES & GENERAL NOTES
DATE:	6/09/20
SCALE:	N.T.S.
DWG. BY:	RW
CHK. BY:	LFS
DRAWING NO.:	TX-5059
SHEET	1 OF 3



* NOTE: TILT LATCH INTERLOCKING METAL JAMB CLIP INSTALLED w/ (2) #10 X 2" PH SMS THRU CLIP INTO EACH BUCK (4 TOTAL).

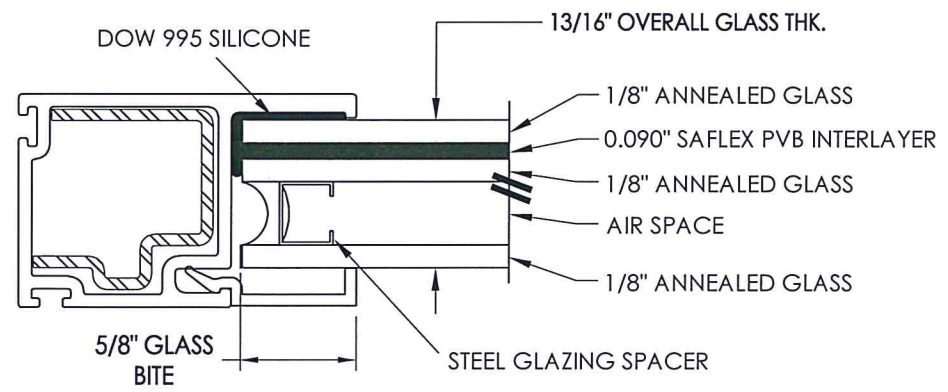
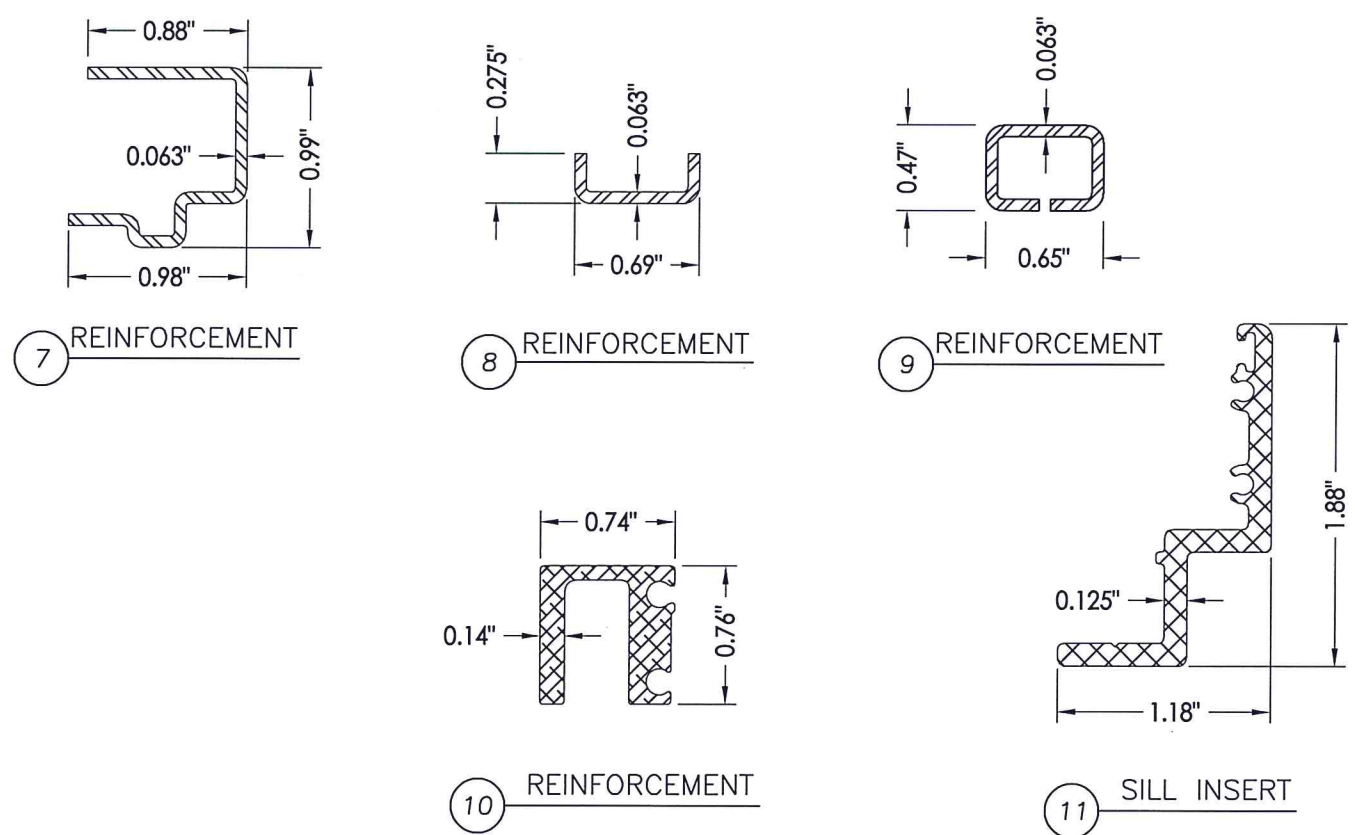
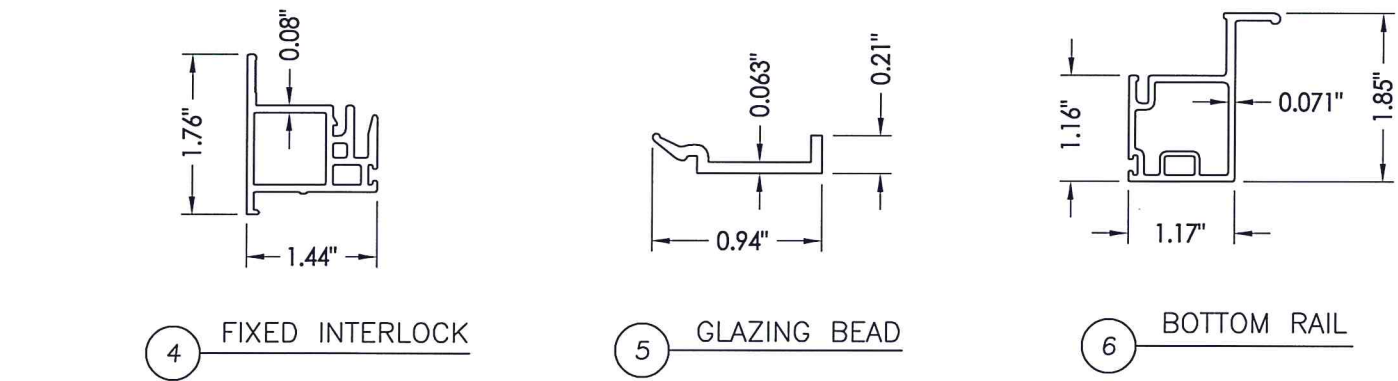
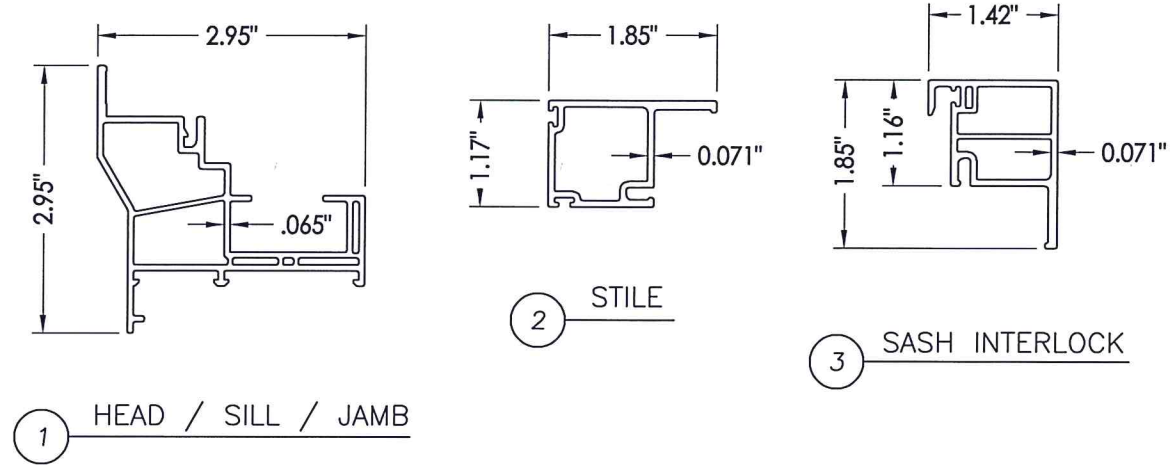


6.9.20
 Documents Prepared By: Lyndon F. Schmidt, P.E.
 TEXAS P.E. #104123
RW BUILDING CONSULTANTS, INC.
 P.O. Box 230 Valrico FL, 33595
 Phone No.: 813.659.9197
 TEXAS BOARD OF PROFESSIONAL ENGINEERS
 CERTIFICATE OF REGISTRATION # F-11852

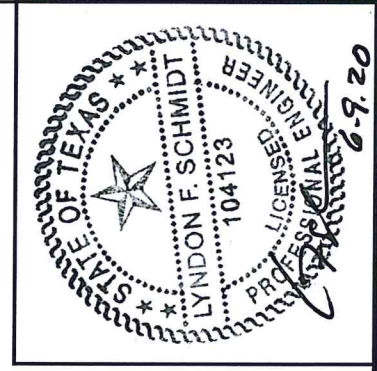
PRODUCT:	SINGLE HUNG WINDOW	
PART OR ASSEMBLY:	VERTICAL & HORIZONTAL CROSS SECTIONS & FRAME ANCHORING	
NO.	DATE	BY
		REVISIONS
DATE:	6/09/20	
SCALE:	N.T.S.	
DWG. BY:	RW	
CHK. BY:	LFS	
DRAWING NO.:	TX-5059	
SHEET	2	OF 3

BILL OF MATERIALS		
ITEM #	DESCRIPTION	MATERIAL
B	2X FRAMING (SG => 0.42)	WOOD
C	1/4" MAX. SHIM SPACE	-
F	#10 X 2" PH SMS (1-1/4" MIN. EMBEDMENT)	STEEL
1	EXTRUDED VINYL FRAME *	RIGID PVC
2	EXTRUDED VINYL SASH *	RIGID PVC
3	EXTRUDED VINYL SASH INTERLOCK *	RIGID PVC
4	EXTRUDED VINYL FIXED INTERLOCK *	RIGID PVC
5	EXTRUDED VINYL GLAZING BEAD *	RIGID PVC
6	EXTRUDED VINYL SASH BOTTOM RAIL *	RIGID PVC
7	JAMB STILE/BOTTOM RAIL (SEO445) REINFORCEMENT	STEEL
8	SASH INTERLOCK (SH45) REINFORCEMENT	STEEL
9	SASH INTERLOCK (SH46) REINFORCEMENT	STEEL
10	KEEPER RAIL (SH34) REINFORCEMENT	ALUM
11	SILL INSERT REINFORCEMENT	ALUM
12	SWEEP LATCH (TRUTH)	METAL
13	LATCH KEEPER (TRUTH)	METAL
31	WEATHER PILE .187" x .270"	-
33	FOAM BULB SEAL	-

*THE APPROVED WHITE RIGID PVC EXTERIOR EXTRUSIONS FOR WINDOWS ARE TO BE PRODUCED BY EXTRUDERS LICENSEES IN "AAMA CERTIFICATION PROGRAMS FOR RIGID PVC EXTRUSIONS."



G1 GLAZING DETAIL



Documents Prepared By: Lyndon F. Schmidt, P.E.
TEXAS P.E. #104123

RW BUILDING CONSULTANTS, INC.
P.O. Box 230 Valrico FL 33595
Phone No.: 813.659.9197

TEXAS BOARD OF PROFESSIONAL ENGINEERS
CERTIFICATE OF REGISTRATION # F-11852

PRODUCT:	SINGLE HUNG WINDOW	
PART OR ASSEMBLY:	BILL OF MATERIALS, COMPONENTS AND GLAZING DETAIL	
NO.	DATE	BY
REVISIONS		
DATE:	6/09/20	
SCALE:	N.T.S.	
DWG. BY:	RW	
CHK. BY:	LFS	
DRAWING NO.:	TX-5059	
SHEET	3	of 3