



3773 STATE ROAD, CUYAHOGA FALLS, OH 44223

MODEL 0501 EXTRUDED VINYL DOUBLE HUNG WINDOW "NON-IMPACT"

ALSO DISTRIBUTED UNDER THE FOLLOWING TRADE NAMES:

ASSOCIATED MATERIALS, INC.
GENTEK BUILDING PRODUCTS
REVERE BUILDING PRODUCTS

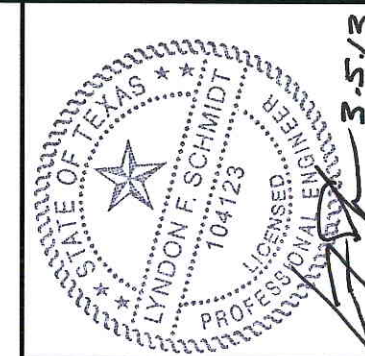
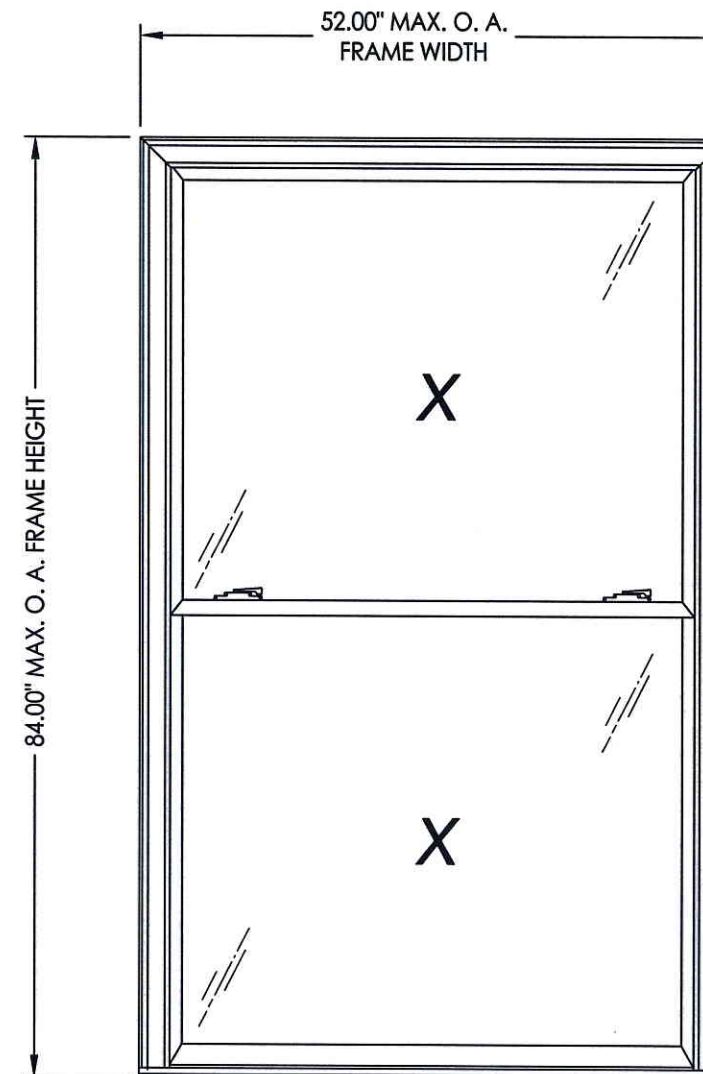
EVALUATED FOR USE IN THE STATE OF TEXAS

The Alside Double Hung Window described herein complies with the 2006 International Residential Code (IRC), Sections R301 & R613 and the 2006 International Building Code (IBC), Sections 1405.12, 1609, 1714.5, 2403 and 2404 (including Texas revisions) subject to the following conditions:

1. Anchors shall be as listed and spaced as shown in the details. Anchor embedment to base material shall be beyond wall dressing or stucco.
2. When used in areas requiring wind-borne debris protection this product is required to be protected with an impact resistant covering that complies with Section R301.2.1.2 of the IRC and Section 1609.1.2 of the IBC.
3. Allowable design pressure requirements must be equal to or less than the design pressure rating shown in the design pressure chart, sheet 1 of this drawing.
4. Conditions not covered by this drawing are subject to further engineering analysis.

TABLE OF CONTENTS

SHEET#	DESCRIPTION
1	Typical elevations, design pressures & general notes
2	Vertical & horizontal cross sections & frame anchoring
3	Bill of materials, glazing detail and components



Documents Prepared By: Lyndon F. Schmidt, P.E.
TEXAS P.E. #104123

RW BUILDING CONSULTANTS, INC.
P.O. Box 230 Vairico FL, 33595
Phone No.: 813.659.9197

TEXAS BOARD OF PROFESSIONAL ENGINEERS
CERTIFICATE OF REGISTRATION # F-11852

PRODUCT: DOUBLE HUNG WINDOW

PART OR ASSEMBLY: TYPICAL ELEVATION, DESIGN PRESSURES & GENERAL NOTES

OVERALL FRAME DIMENSION	TOP D.L.O. DIMENSION	BOTTOM D.L.O. DIMENSION	GLASS TYPE	DESIGN PRESSURE (PSF)	
				POSITIVE	NEGATIVE
52.00" x 84.00"	44.91" x 36.94"	45.91" x 36.92"	G1	+25.0	-25.0
44.00" x 77.00"	36.91" x 33.44"	37.91" x 33.42"		+40.0	-40.0
52.00" x 61.00"	44.91" x 25.44"	45.91" x 25.42"		+35.0	-35.0
36.00" x 72.00"	28.91" x 30.94"	29.91" x 30.92"		+50.0	-50.0
* 44.00" x 60.00"	36.91" x 24.94"	37.91" x 24.92"		+35.0	-35.0
* 36.00" x 60.00"	28.91" x 24.94"	29.91" x 24.92"		+50.0	-50.0

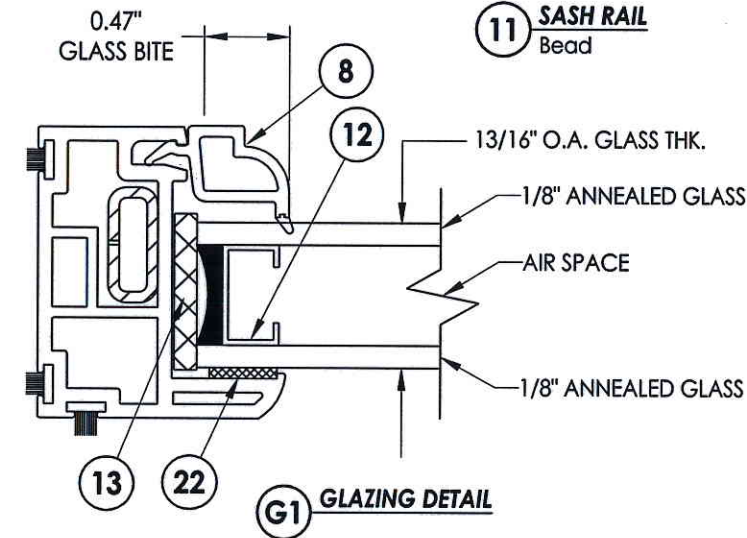
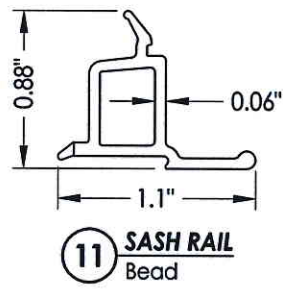
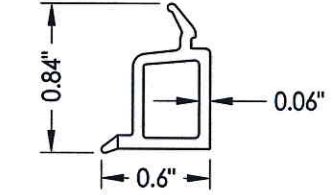
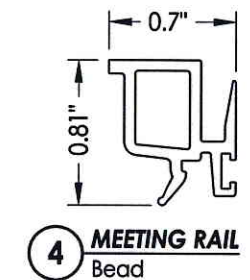
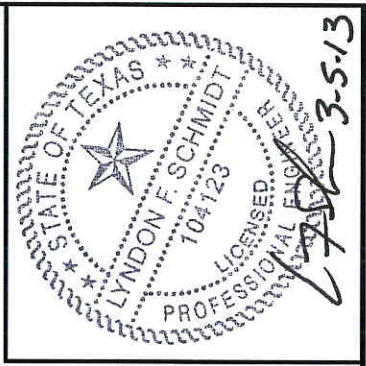
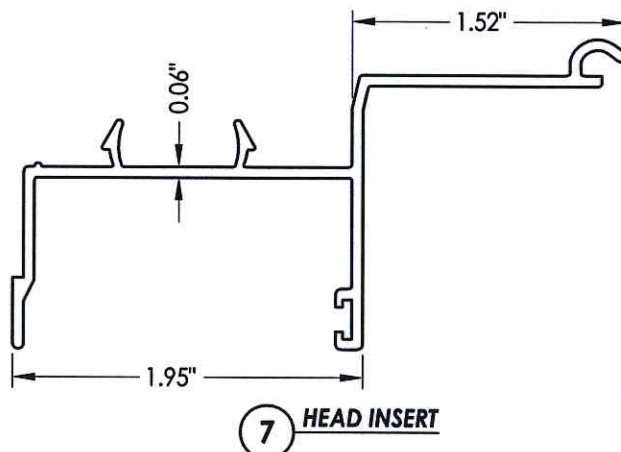
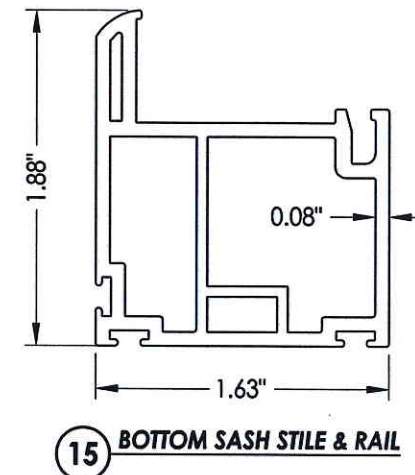
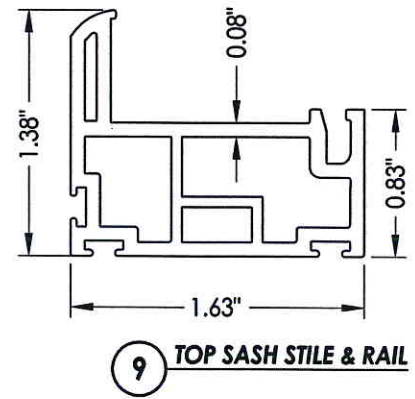
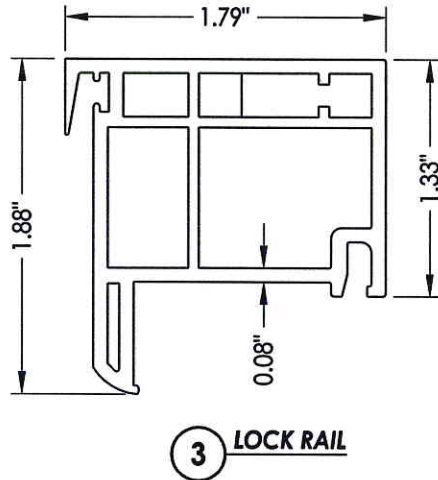
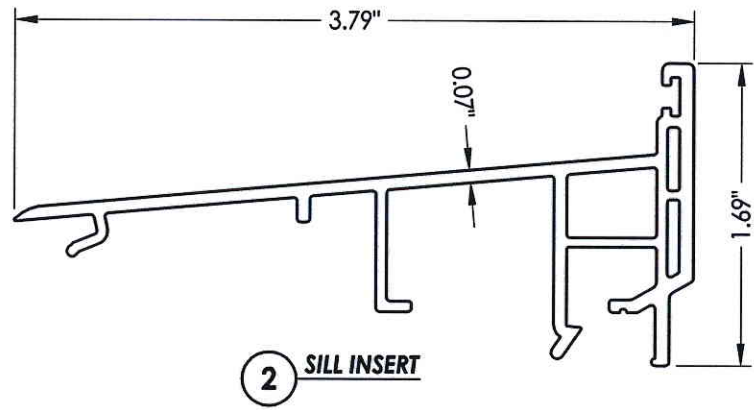
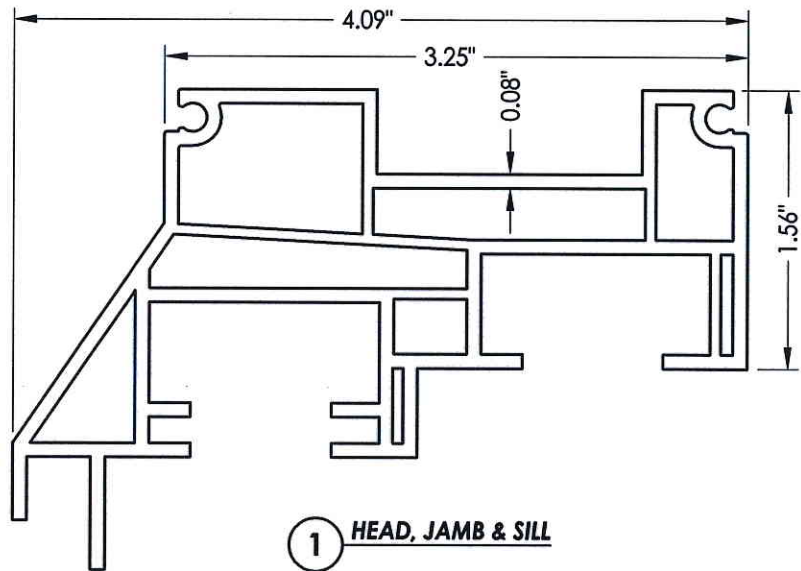
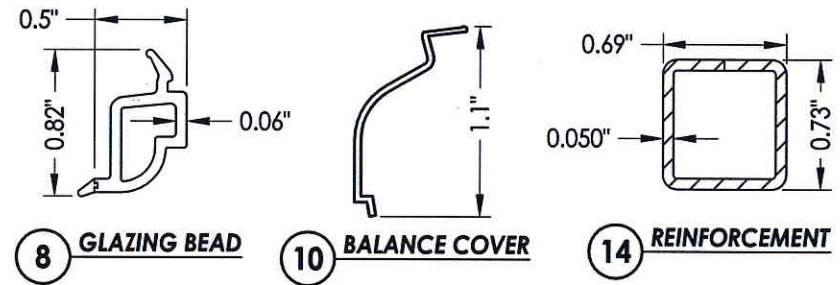
* NOTE: Sash stile reinforcement not required (see Notes, Sheet 2)

NO.	DATE	BY	REVISIONS

DATE: 3/05/13
SCALE: N.T.S.
DWG. BY: JK
CHK. BY: LFS
DRAWING NO.: TX-4138
SHEET 1 OF 3

BILL OF MATERIALS		
ITEM #	DESCRIPTION	MATERIAL
A	#8 X 2-1/2" PFH WOOD SCREW	STEEL
B	2X FRAMING (G >= 0.42)	WOOD
C	1/4" MAX. SHIM SPACE	-
1	EXTRUDED VINYL HEAD, JAMB AND SILL *	RIGID PVC
2	EXTRUDED VINYL SILL INSERT *	RIGID PVC
3	EXTRUDED VINYL LOCK RAIL *	RIGID PVC
4	EXTRUDED VINYL MEETING RAIL BEAD *	RIGID PVC
7	EXTRUDED VINYL HEAD INSERT *	RIGID PVC
8	EXTRUDED VINYL GLAZING BEAD *	RIGID PVC
9	EXTRUDED VINYL TOP SASH STILE & RAIL *	RIGID PVC
10	BALANCE COVER	-
11	EXTRUDED VINYL SASH RAIL BEAD *	RIGID PVC
12	STEEL INTERCEPT SPACER	STEEL
13	GLAZING SHIM 1/8" THICK	BUTYL
14	REINFORCEMENT	STEEL
15	EXTRUDED VINYL BOTTOM SASH STILE & RAIL *	RIGID PVC
17	REINFORCEMENT	STEEL
20	EXTRUDED VINYL SASH RAIL BEAD *	RIGID PVC
22	GLAZING TAPE	-

* THE APPROVED WHITE RIGID PVC EXTERIOR EXTRUSIONS FOR WINDOWS ARE TO BE PRODUCED BY EXTRUDERS LICENSEES IN "AAMA CERTIFICATION PROGRAMS FOR RIGID PVC EXTRUSIONS".



Documents Prepared By: Lyndon F. Schmidt, P.E.
TEXAS P.E. #104123

RW BUILDING CONSULTANTS, INC.
P.O. Box 230 Valrico FL 33595
Phone No.: 813.659.9197

TEXAS BOARD OF PROFESSIONAL ENGINEERS
CERTIFICATE OF REGISTRATION # F-11852

PRODUCT: DOUBLE HUNG WINDOW	
PART OR ASSEMBLY: BILL OF MATERIALS, GLAZING DETAIL & COMPONENTS	
NO.	DATE
REVISIONS	
BY	
DATE: 3/05/13	
SCALE: N.T.S.	
DWG. BY: JK	
CHK. BY: LFS	
DRAWING NO.: TX-4138	
SHEET 3 OF 3	