

REVISIONS			
REV	DESCRIPTION	DATE	APPROVED

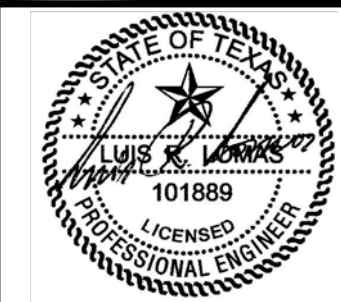
NOTES:

1. THE PRODUCT SHOWN HEREIN IS DESIGNED AND MANUFACTURED TO COMPLY WITH REQUIREMENTS OF THE 2006 IBC AND THE 2006 IRC WITH STATE OF TEXAS MODIFICATIONS AND WITH THE 2009 IBC, 2009 IRC, 2012 IBC, 2012 IRC, 2015 IBC AND 2015 IRC.
2. WOOD FRAMING AND MASONRY OPENING TO BE DESIGNED AND ANCHORED TO PROPERLY TRANSFER ALL LOADS TO STRUCTURE. FRAMING AND MASONRY OPENING IS THE RESPONSIBILITY OF THE ARCHITECT OR ENGINEER OF RECORD.
3. 1X BUCK OVER MASONRY/CONCRETE IS OPTIONAL.
4. WHERE SHIM OR BUCK THICKNESS IS LESS THAN 1-1/2" UNITS MUST BE ANCHORED THROUGH THE FRAME IN ACCORDANCE WITH MANUFACTURER'S PUBLISHED INSTALLATION INSTRUCTIONS. ANCHORS SHALL BE SECURELY FASTENED DIRECTLY INTO MASONRY, CONCRETE OR OTHER STRUCTURAL SUBSTRATE MATERIAL.
5. WHERE WOOD BUCK THICKNESS IS 1-1/2" OR GREATER, BUCK SHALL BE SECURELY FASTENED TO MASONRY, CONCRETE OR OTHER STRUCTURAL SUBSTRATE. UNITS MAY BE ANCHORED THROUGH FRAME TO SECURED WOOD BUCK IN ACCORDANCE WITH MANUFACTURER'S PUBLISHED INSTALLATION INSTRUCTIONS.
6. WHERE 1X BUCK IS NOT USED DISSIMILAR MATERIALS MUST BE SEPARATED WITH APPROVED COATING OR MEMBRANE. SELECTION OF COATING OR MEMBRANE IS THE RESPONSIBILITY OF THE ARCHITECT OR ENGINEER OF RECORD.
7. BUCKS SHALL EXTEND BEYOND UNIT FRAME INTERIOR FACE SO THAT FULL FRAME SUPPORT IS PROVIDED.
8. FOR FIN INSTALLATION SHIM AS NEEDED. FOR FRAME INSTALLATION SHIM AS REQUIRED AT EACH ANCHOR LOCATION WITH LOAD BEARING SHIM. SHIM WHERE SPACE OF 1/16" OR GREATER OCCURS. MAXIMUM ALLOWABLE SHIM STACK TO BE 1/4".
9. SHIMS SHALL BE LOCATED, APPLIED AND MADE FROM MATERIALS AND THICKNESS CAPABLE OF SUSTAINING APPLICABLE LOADS.
10. WIND LOAD DURATION FACTOR Cd=1.6 WAS USED FOR WOOD ANCHOR CALCULATIONS.
11. FRAME MATERIAL: EXTRUDED RIGID PVC.
12. UNITS MUST BE GLAZED PER ASTM E1300-04/09.
13. APPROVED IMPACT PROTECTIVE SYSTEM IS REQUIRED FOR THIS PRODUCT IN WIND BORNE DEBRIS REGIONS.
14. FOR ANCHORING THROUGH FIN INTO WOOD FRAMING OR 2X BUCK USE #8 WOOD SCREWS WITH SUFFICIENT LENGTH TO ACHIEVE A 1 1/4" MINIMUM EMBEDMENT INTO SUBSTRATE. LOCATE ANCHORS AS SHOWN IN ELEVATIONS AND INSTALLATION DETAILS.
15. FOR ANCHORING THROUGH FRAME INTO WOOD FRAMING OR 2X BUCK USE #8 WOOD SCREWS WITH SUFFICIENT LENGTH TO ACHIEVE A 1 1/4" MINIMUM EMBEDMENT INTO SUBSTRATE. LOCATE ANCHORS AS SHOWN IN ELEVATIONS AND INSTALLATION DETAILS.
16. FOR ANCHORING THROUGH FRAME INTO MASONRY/CONCRETE USE 3/16" TAPCONS WITH SUFFICIENT LENGTH TO ACHIEVE A 1 1/4" MINIMUM EMBEDMENT INTO SUBSTRATE WITH 2" MINIMUM EDGE DISTANCE. LOCATE ANCHORS AS SHOWN IN ELEVATIONS AND INSTALLATION DETAILS.
17. FOR ANCHORING THROUGH FRAME INTO METAL STRUCTURE USE #8 SMS OR SELF DRILLING SCREWS WITH SUFFICIENT LENGTH TO ACHIEVE 3 THREADS MINIMUM BEYOND STRUCTURE INTERIOR WALL. LOCATE ANCHORS AS SHOWN IN ELEVATIONS AND INSTALLATION DETAILS.
18. ALL FASTENERS TO BE CORROSION RESISTANT.
19. INSTALLATION ANCHORS SHALL BE INSTALLED IN ACCORDANCE WITH ANCHOR MANUFACTURER'S INSTALLATION INSTRUCTIONS AND ANCHORS SHALL NOT BE USED IN SUBSTRATES WITH STRENGTHS LESS THAN THE MINIMUM STRENGTH SPECIFIED BELOW:
 - A. WOOD: MINIMUM SPECIFIC GRAVITY OF G=0.42
 - B. CONCRETE: MINIMUM COMPRESSIVE STRENGTH OF 2,000 PSI.
 - C. MASONRY: HOLLOW/FILLED BLOCK PER ASTM C90 WITH Fm=2,000PSI MINIMUM.
 - D. METAL STRUCTURE: STEEL 18GA (.048") FY=33KSI/FU=52KSI OR ALUMINUM 6063-T5 FU=30KSI .048" THICK MINIMUM

TABLE OF CONTENTS	
SHEET NO.	DESCRIPTION
1	NOTES
2	ANCHORING AND ELEVATIONS
3 - 5	INSTALLATION DETAILS
6	COMPONENTS

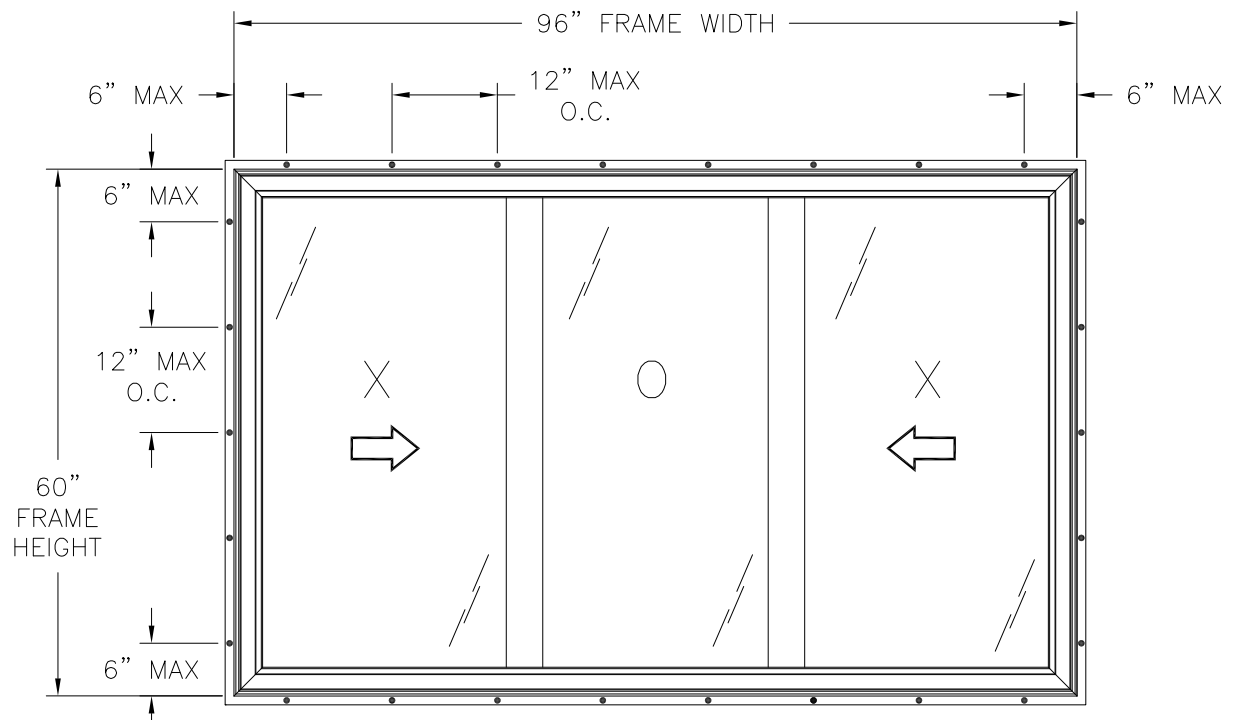
WINDOW MART 5760 ALBERT PIKE ROYAL, AR 71968		
SERIES 7300 VINYL HORIZONTAL SLIDER WINDOW 96" x 60" NON-IMPACT NOTES		
DRAWN: A.R.	DWG NO. 08-03461	REV -
SCALE NTS	DATE 07/02/19	SHEET 1 OF 6
L. ROBERTO LOMAS P.E. 1432 WOODFORD RD LEWISVILLE, NC 27023 434-688-0609 rllomas@rlomaspe.com		

SIGNED: 10/09/2019

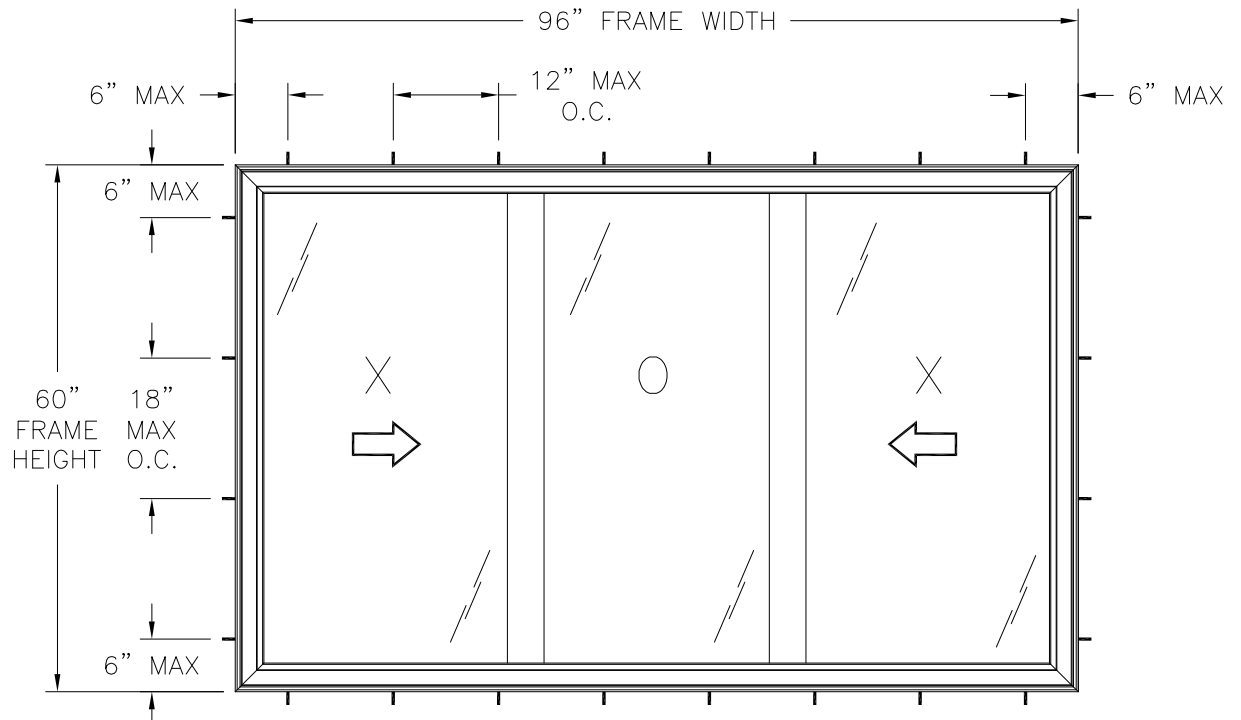


Luis R. Lomas P.E.
TX No.: 101889

REVISIONS			
REV	DESCRIPTION	DATE	APPROVED



7300 NC HORIZONTAL SLIDER XOx
EXTERIOR VIEW
FIN INSTALLATION



7300 NC HORIZONTAL SLIDER XOx
EXTERIOR VIEW
FRAME INSTALLATION

DESIGN PRESSURE RATING	IMPACT RATING
±35.0PSF	NONE

96" X 60" UNIT SHOWN. OTHER SIZES APPROVED AS LONG AS FRAME AREA DOES NOT EXCEED 40.0 FT²

- NOTES:
- SASH SIZE: 31 15/16" X 57 1/16"
 - SASH D.L.O.: 29 7/16" X 54 1/2"
 - FIXED LITE D.L.O.: 29" X 55"

HARDWARE SCHEDULE	
A.	(4) METAL CAM LOCK WITH KEEPER (611/9331) AT LOCK STILE, 9 1/2" FROM EACH END
B.	(4) ROLLER ASSEMBLY AT BOTTOM RAIL, ONE AT EACH END
C.	ALUMINUM REINFORCEMENT (A6189) AT FIXED MEETING RAIL
D.	ALUMINUM REINFORCEMENT (A6202) AT LOCK STILE

WINDOW MART
5760 ALBERT PIKE
ROYAL, AR 71968

SERIES 7300 VINYL HORIZONTAL SLIDER WINDOW
96" x 60" NON-IMPACT
ELEVATIONS

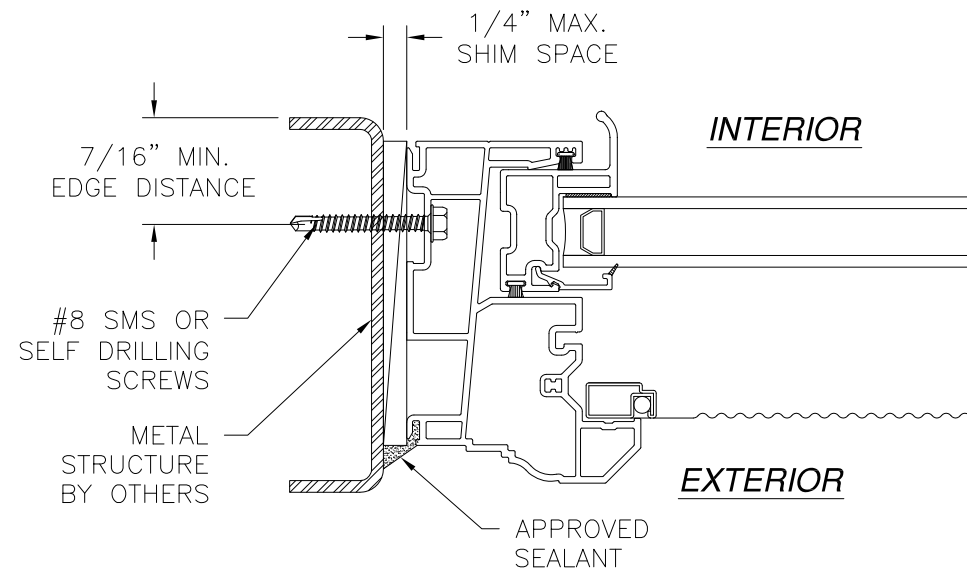
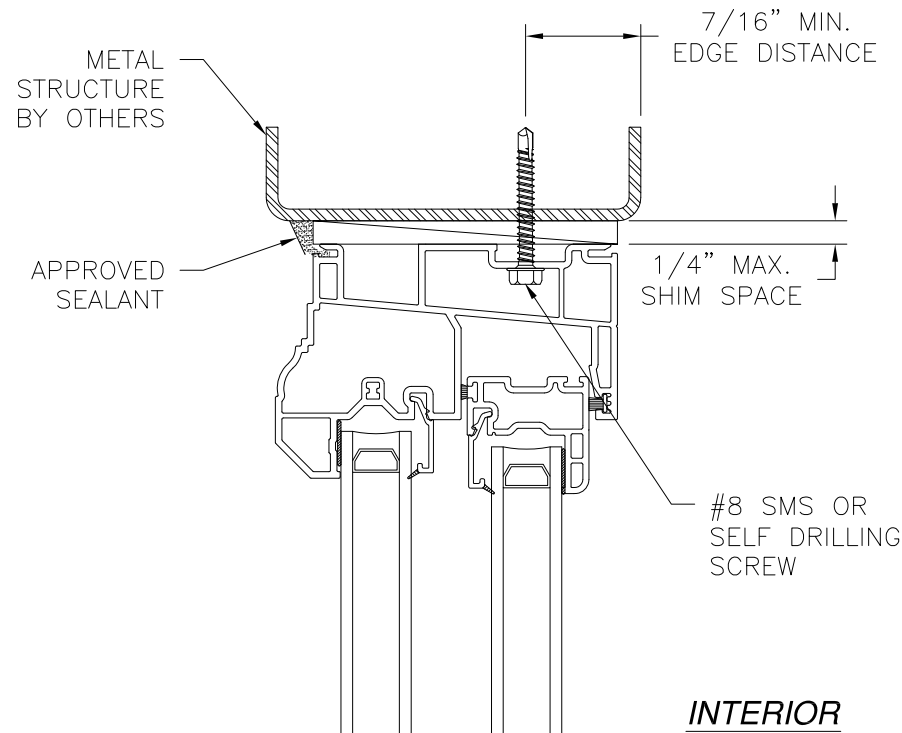
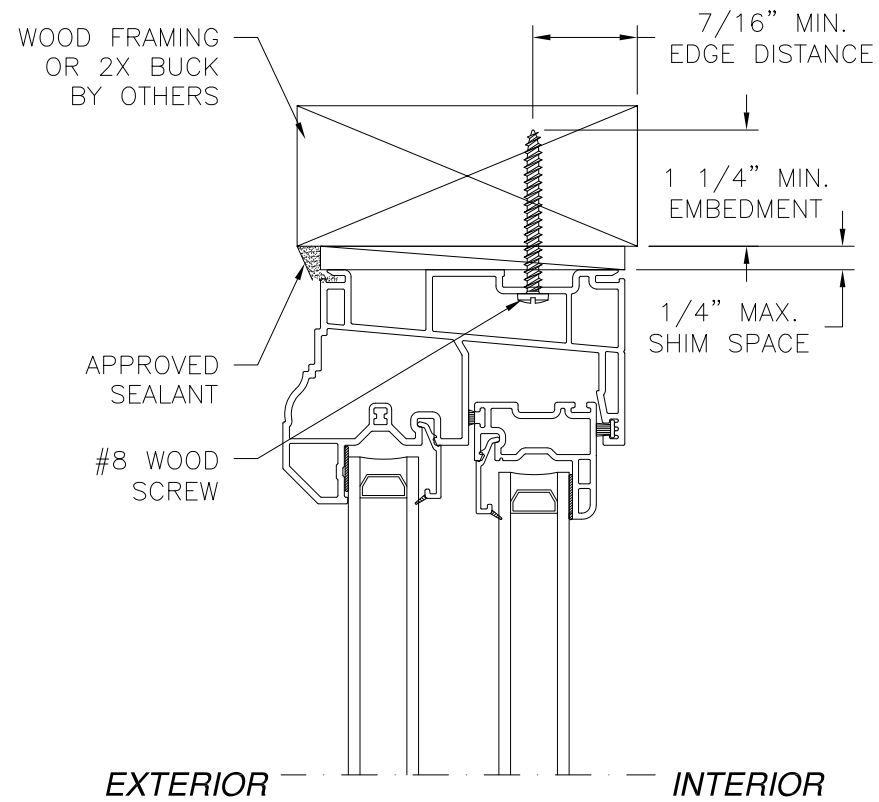
DRAWN: A.R.	DWG NO. 08-03461	REV -
SCALE NTS	DATE 07/02/19	SHEET 2 OF 6

L. ROBERTO LOMAS P.E.
1432 WOODFORD RD LEWISVILLE, NC 27023
434-688-0609 rllomas@rlomaspe.com

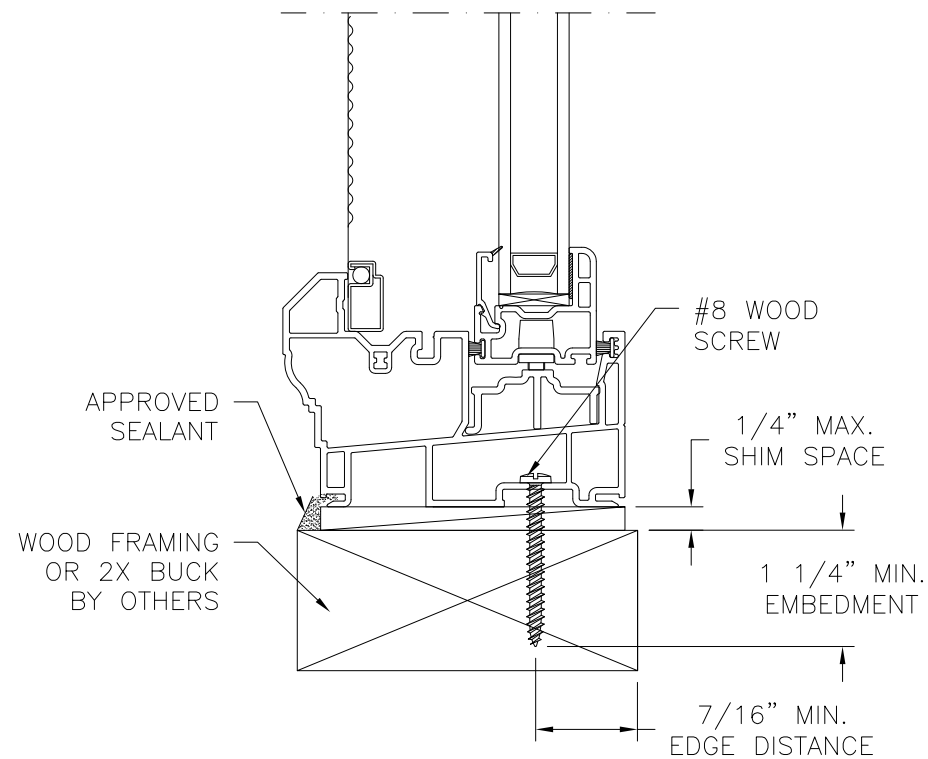
SIGNED: 10/09/2019



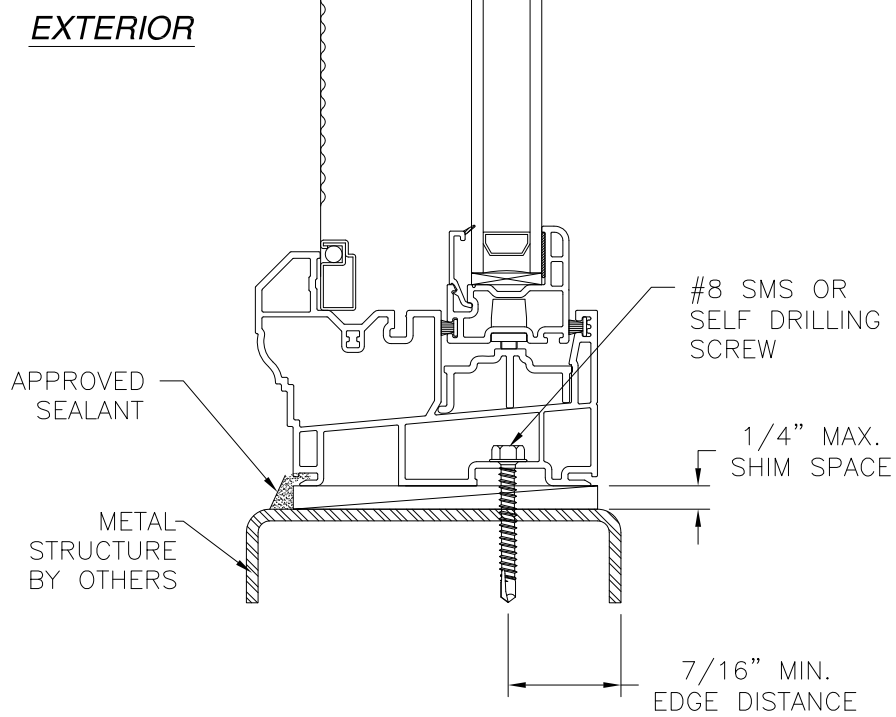
Luis R. Lomas P.E.
TX No.: 101889



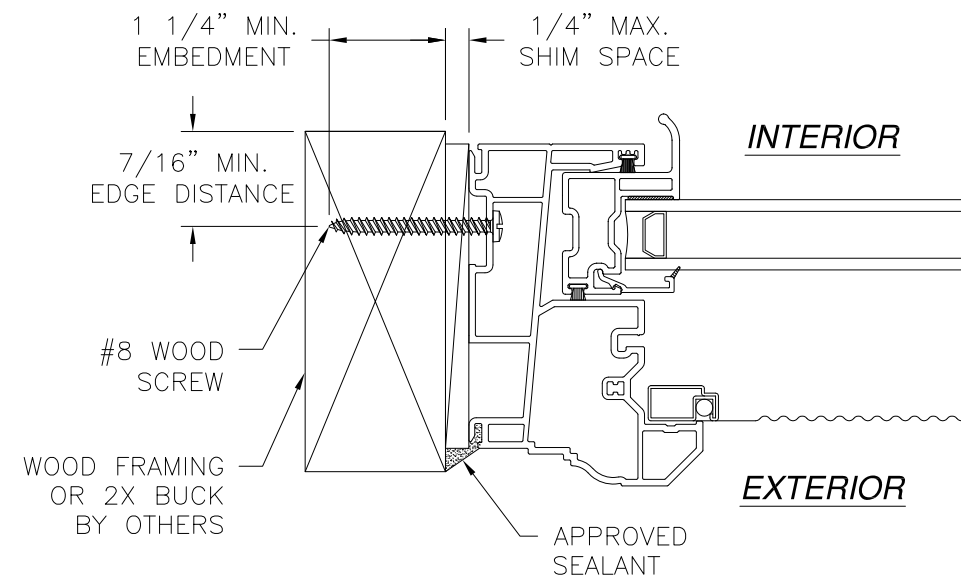
JAMB INSTALLATION DETAIL
METAL STRUCTURE INSTALLATION



VERTICAL CROSS SECTION
WOOD FRAMING OR 2X BUCK INSTALLATION



VERTICAL CROSS SECTION
METAL STRUCTURE INSTALLATION



JAMB INSTALLATION DETAIL
WOOD FRAMING OR 2X BUCK INSTALLATION

SIGNED: 10/09/2019

NOTES:
1. INTERIOR AND EXTERIOR FINISHES, BY OTHERS, NOT SHOWN FOR CLARITY.
2. PERIMETER AND JOINT SEALANT BY OTHERS TO BE DESIGNED IN ACCORDANCE WITH ASTM E2112

REVISIONS			
REV	DESCRIPTION	DATE	APPROVED

WINDOW MART
5760 ALBERT PIKE
ROYAL, AR 71968

SERIES 7300 VINYL HORIZONTAL SLIDER WINDOW
96" x 60" NON-IMPACT
INSTALLATION DETAILS

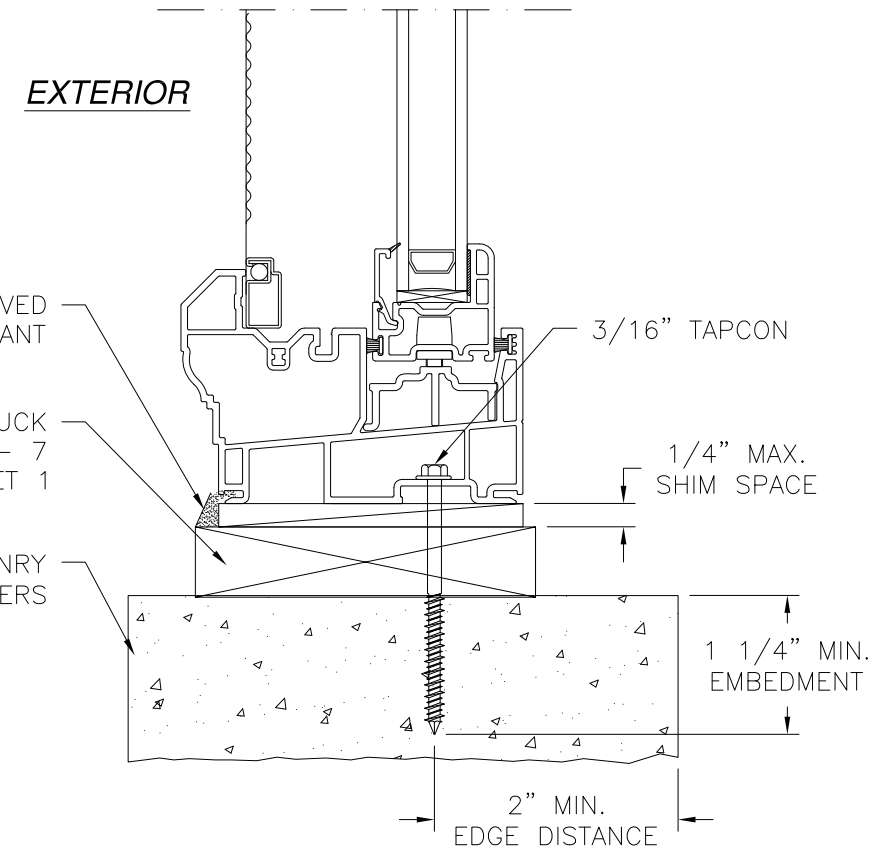
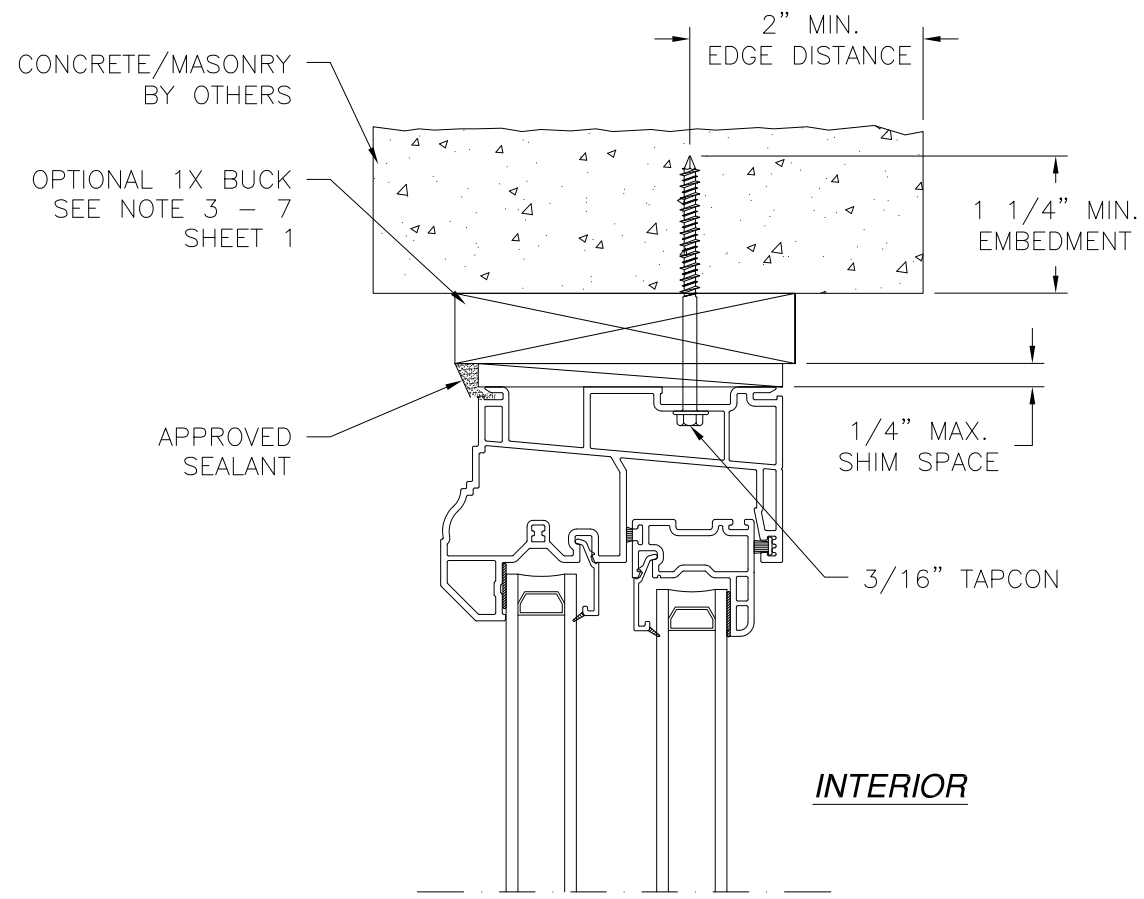
DRAWN: A.R.	DWG NO. 08-03461	REV -
SCALE NTS	DATE 07/02/19	SHEET 3 OF 6

L. ROBERTO LOMAS P.E.
1432 WOODFORD RD LEWISVILLE, NC 27023
434-688-0609 rllomas@rlomaspe.com

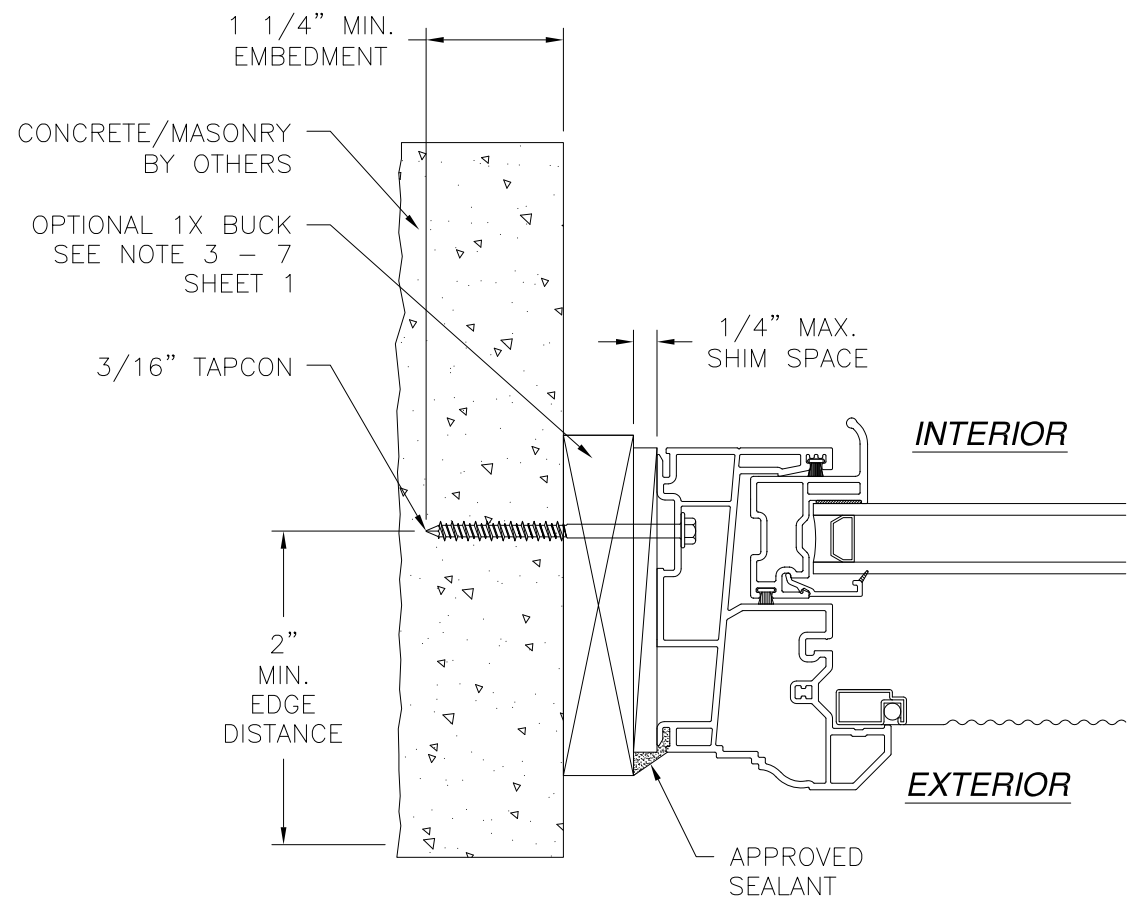


Luis R. Lomas P.E.
TX No.: 101889

REVISIONS			
REV	DESCRIPTION	DATE	APPROVED



VERTICAL CROSS SECTION
CONCRETE/MASONRY INSTALLATION



JAMB INSTALLATION DETAIL
CONCRETE/MASONRY INSTALLATION

- NOTES:**
1. INTERIOR AND EXTERIOR FINISHES, BY OTHERS, NOT SHOWN FOR CLARITY.
 2. PERIMETER AND JOINT SEALANT BY OTHERS TO BE DESIGNED IN ACCORDANCE WITH ASTM E2112

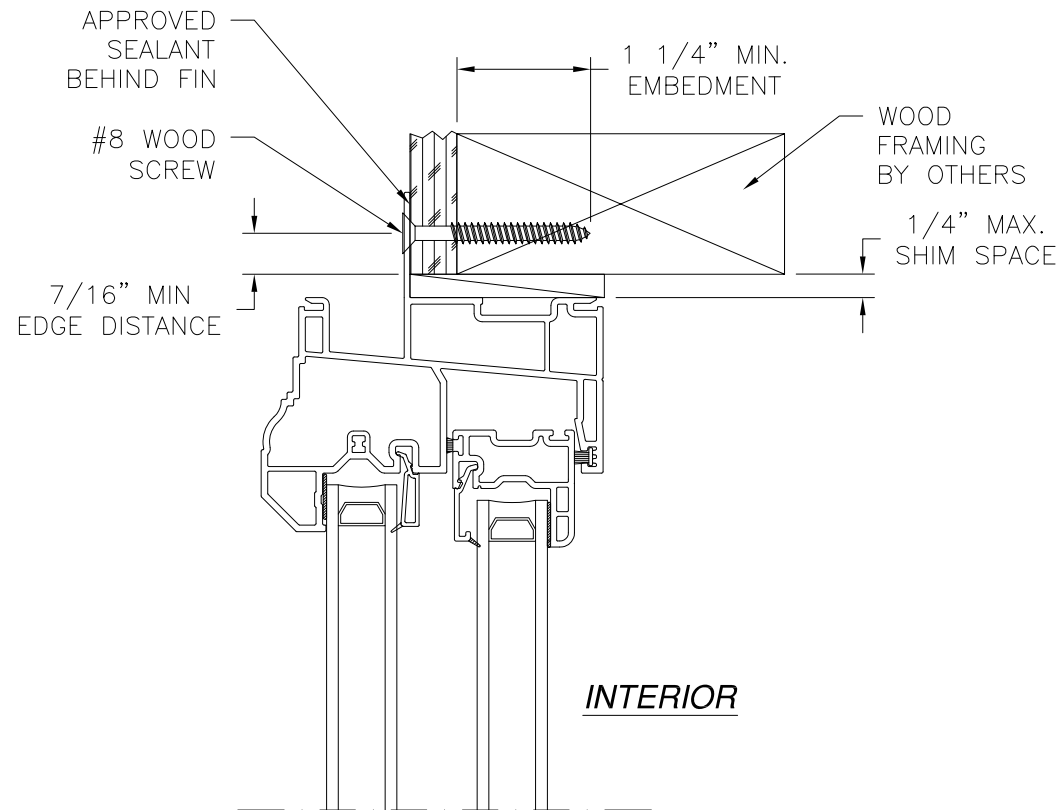
SIGNED: 10/09/2019

WINDOW MART 5760 ALBERT PIKE ROYAL, AR 71968		
SERIES 7300 VINYL HORIZONTAL SLIDER WINDOW 96" x 60" NON-IMPACT INSTALLATION DETAILS		
DRAWN: A.R.	DWG NO. 08-03461	REV -
SCALE NTS	DATE 07/02/19	SHEET 4 OF 6
L. ROBERTO LOMAS P.E. 1432 WOODFORD RD LEWISVILLE, NC 27023 434-688-0609 rllomas@rlomaspe.com		

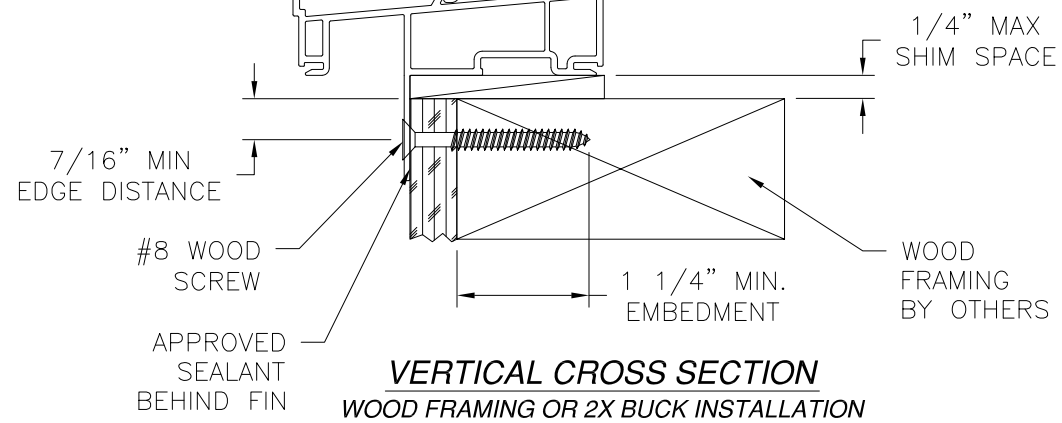


Luis R. Lomas P.E.
TX No.: 101889

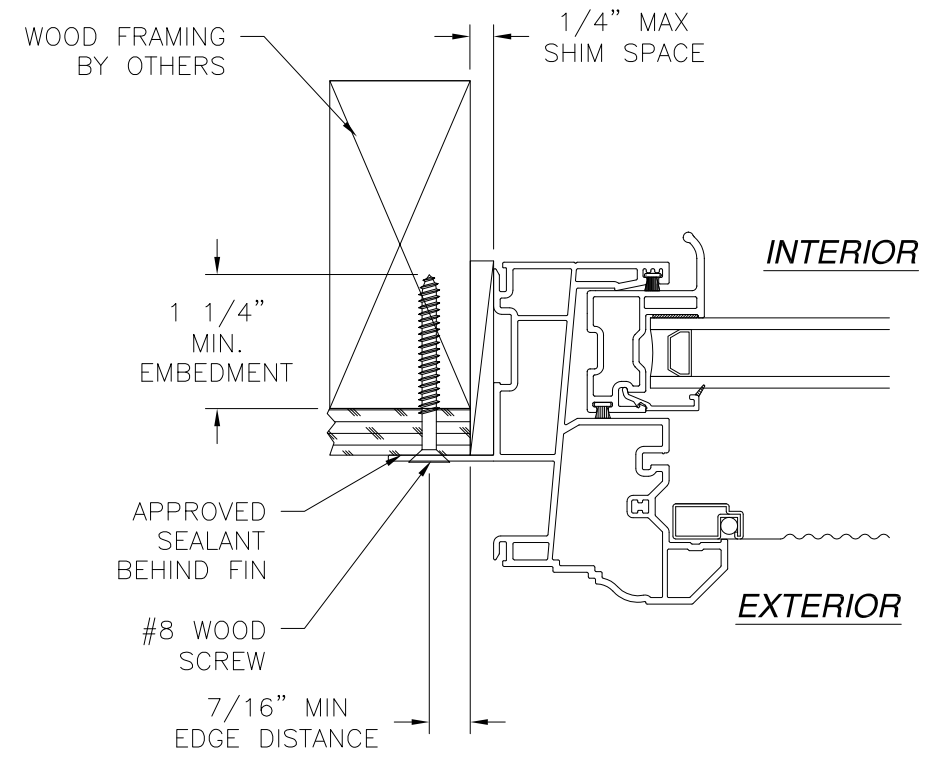
REVISIONS			
REV	DESCRIPTION	DATE	APPROVED



EXTERIOR



VERTICAL CROSS SECTION
WOOD FRAMING OR 2X BUCK INSTALLATION



JAMB INSTALLATION DETAIL
WOOD FRAMING OR 2X BUCK INSTALLATION

- NOTES:**
1. INTERIOR AND EXTERIOR FINISHES, BY OTHERS, NOT SHOWN FOR CLARITY.
 2. PERIMETER AND JOINT SEALANT BY OTHERS TO BE DESIGNED IN ACCORDANCE WITH ASTM E2112

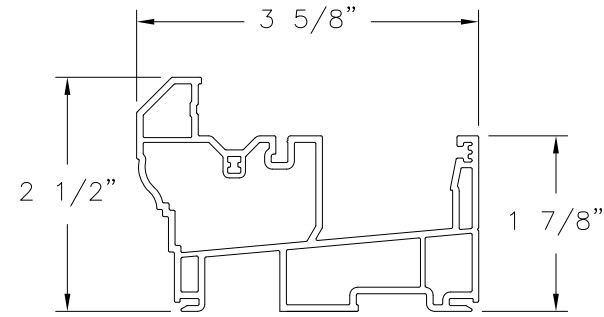
SIGNED: 10/09/2019

WINDOW MART 5760 ALBERT PIKE ROYAL, AR 71968		
SERIES 7300 VINYL HORIZONTAL SLIDER WINDOW 96" x 60" NON-IMPACT FIN INSTALLATION DETAILS		
DRAWN: A.R.	DWG NO. 08-03461	REV -
SCALE NTS	DATE 07/02/19	SHEET 5 OF 6
L. ROBERTO LOMAS P.E. 1432 WOODFORD RD LEWISVILLE, NC 27023 434-688-0609 rllomas@rlomaspe.com		

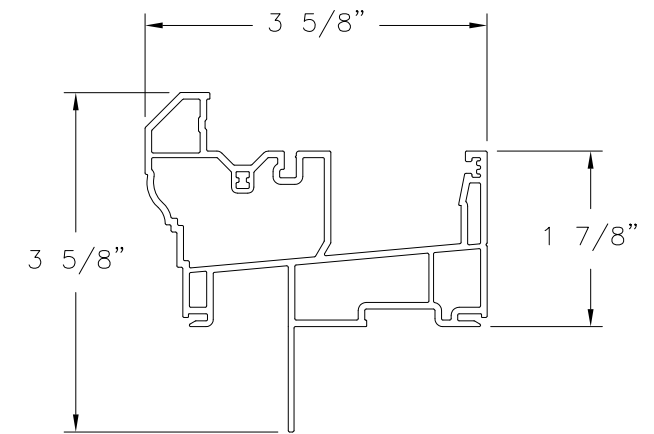


Luis R. Lomas P.E.
TX No.: 101889

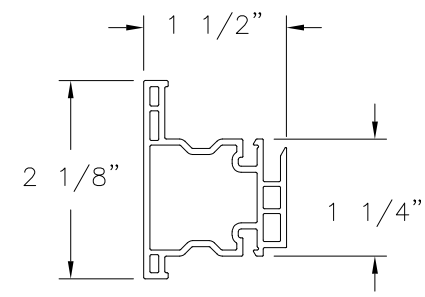
REVISIONS			
REV	DESCRIPTION	DATE	APPROVED



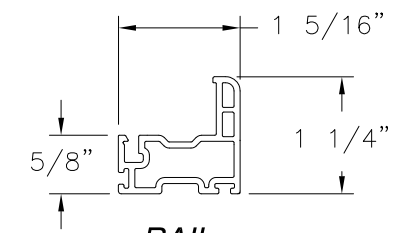
HEAD FRAME
EXTRUDED PVC (10008661)



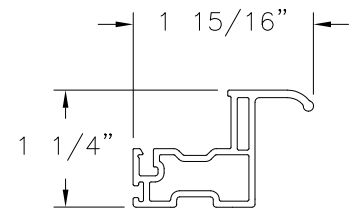
**HEAD FRAME
FIN INSTALLATION**
EXTRUDED PVC (10008661)



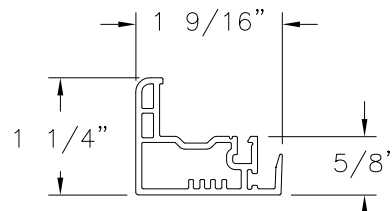
MEETING RAIL
EXTRUDED PVC (10008511)



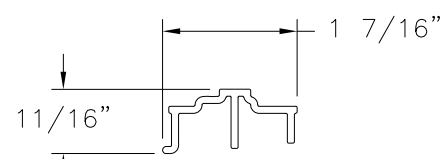
RAIL
EXTRUDED PVC (10008842)



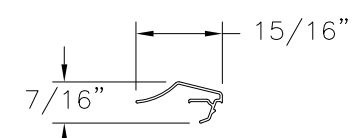
PULL STILE
EXTRUDED PVC (10008882)



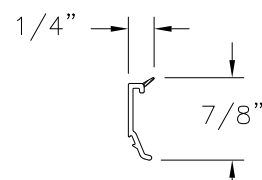
LOCK STILE
EXTRUDED PVC (10008845)



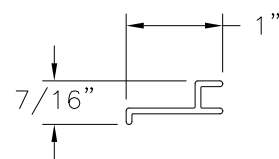
SLIDER TRACK INSERT
EXTRUDED PVC (10008466)



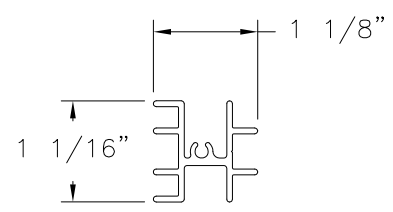
SCREEN RETAINER
EXTRUDED PVC (10005258)



GLAZING BEAD
EXTRUDED PVC (10008127)



SASH REINFORCEMENT
EXTRUDED ALUMINUM (A6202)



**MEETING RAIL
REINFORCEMENT**
EXTRUDED ALUMINUM (A6189)

WINDOW MART 5760 ALBERT PIKE ROYAL, AR 71968		
SERIES 7300 VINYL HORIZONTAL SLIDER WINDOW 96" x 60" NON-IMPACT COMPONENTS		
DRAWN: A.R.	DWG NO. 08-03461	REV -
SCALE NTS	DATE 07/02/19	SHEET 6 OF 6
L. ROBERTO LOMAS P.E. 1432 WOODFORD RD LEWISVILLE, NC 27023 434-688-0609 rllomas@rlomaspe.com		

SIGNED: 10/09/2019



Luis R. Lomas P.E.
TX No.: 101889