



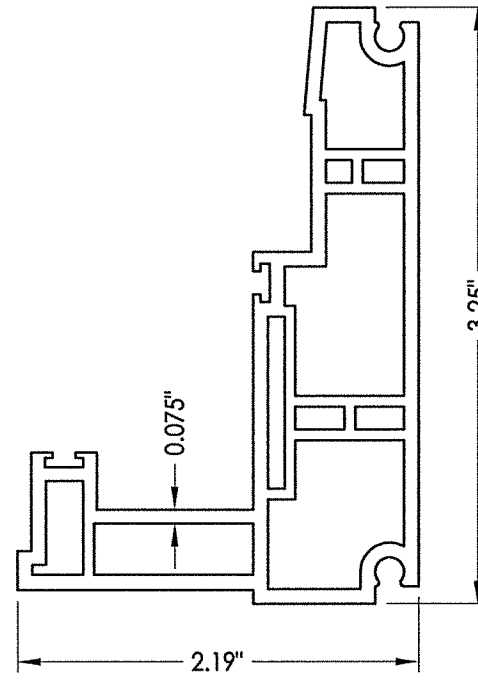


Z:\Clients\Associated PERMANENT\B - Texas Dept of Ins\Awning\WIN-XXX Series 1951 HP Awning\C - Drawings\TX-5129.dwg

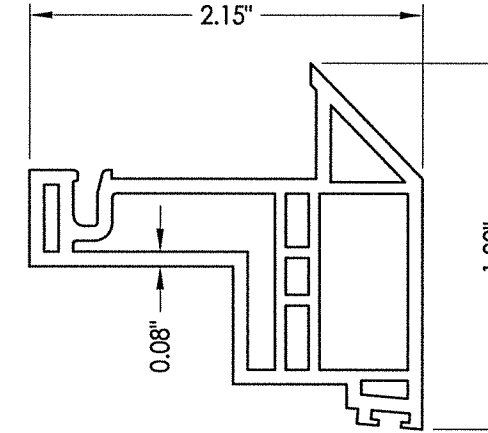
**BILL OF MATERIALS**

ITEM #	DESCRIPTION	MATERIAL
B	2X FRAMING (SG >= 0.42)	WOOD
C	1/4" MAX. SHIM SPACE	-
F	#8 X 2-1/2" PPH SMS (1-5/16" MIN. EMBEDMENT)	STEEL
1	MAIN FRAME*	RIGID PVC
2	SASH FRAME*	RIGID PVC
3	SASH REINFORCEMENT	STEEL
4	GLAZING BEAD*	RIGID PVC
5	WEATHERSTRIP	-
6	SCREEN	-
8	MAXIM AWNING OPERATOR BY TRUTH	-
9	LOCK HANDLE BY TRUTH	-

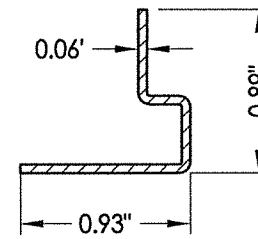
\*THE APPROVED WHITE RIGID PVC EXTRUSIONS FOR WINDOWS ARE TO BE PRODUCED BY EXTRUDERS LICENSEES IN "AAMA CERTIFICATION PROGRAMS FOR RIGID PVC EXTRUSIONS."



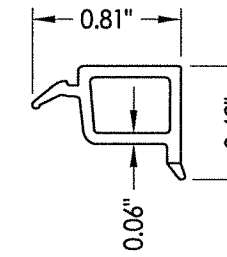
1 MAIN FRAME



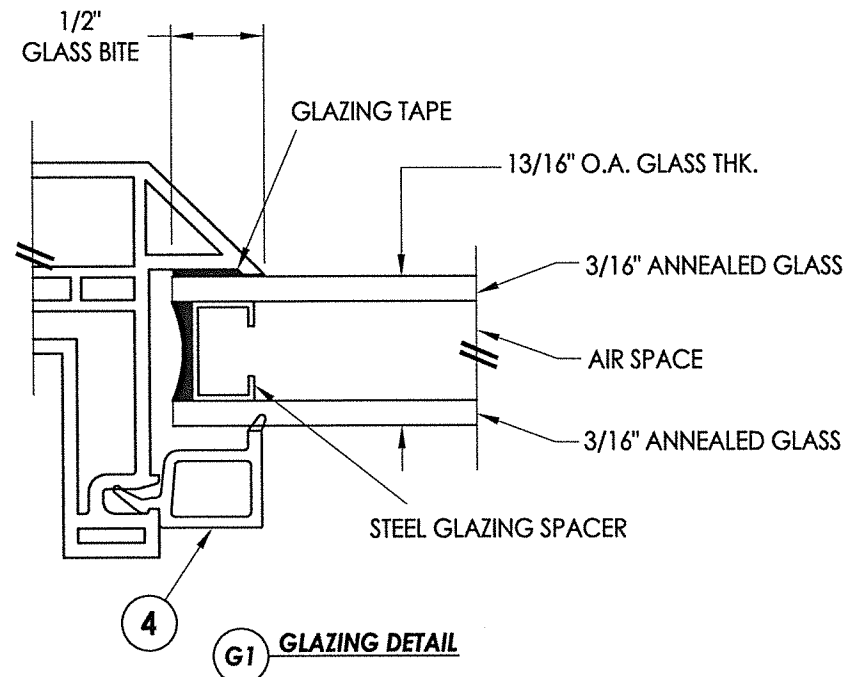
2 SASH FRAME



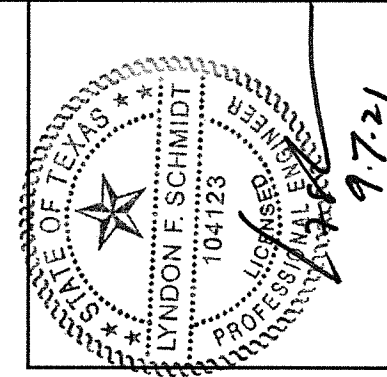
3 SASH REINFORCEMENT



4 GLAZING BEAD



G1 GLAZING DETAIL



Documents Prepared By: Lyndon F. Schmidt, P.E.  
TEXAS P.E. #104123

**RW** BUILDING CONSULTANTS, INC.  
P.O. Box 230 Valrico FL 33595  
Phone No.: 813.659.9197  
TEXAS BOARD OF PROFESSIONAL ENGINEERS  
CERTIFICATE OF REGISTRATION # F-11852

PRODUCT: AWNING WINDOW  
PART OR ASSEMBLY: BILL OF MATERIALS, GLAZING DETAIL & COMPONENTS

NO.	DATE	BY	REVISIONS

DATE: 9/07/21  
SCALE: N.T.S.  
DWG. BY: RW  
CHK. BY: LFS  
DRAWING NO.: TX-5129  
SHEET 3 OF 3