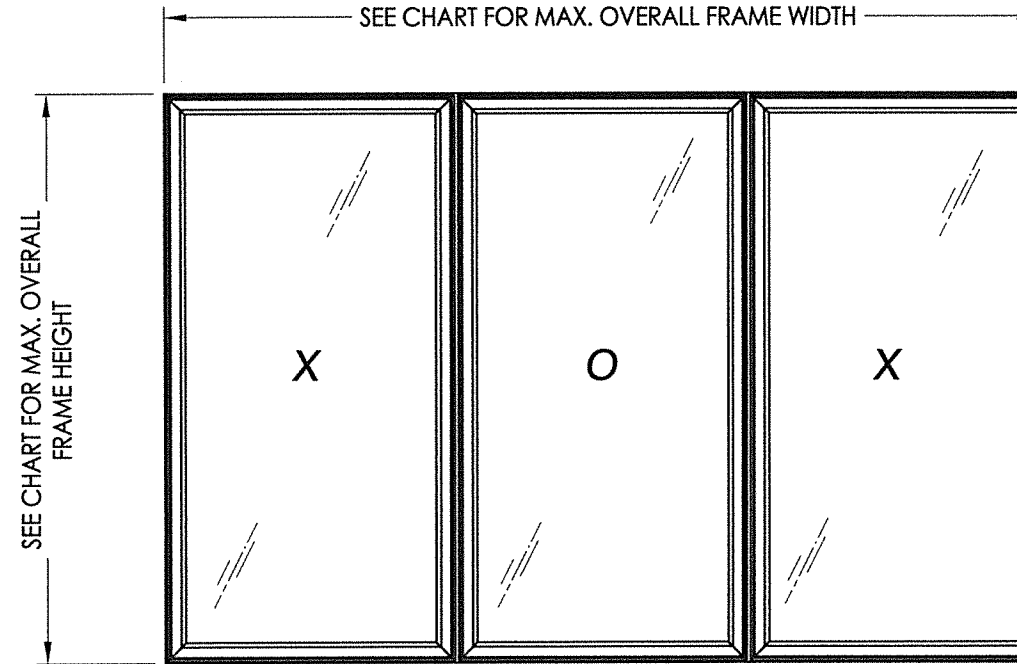


SERIES 0979 TRIPLE CASEMENT WINDOW "NON-IMPACT"



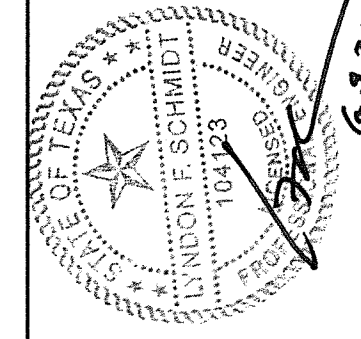
EVALUATED FOR USE IN THE STATE OF TEXAS

The Casement Window described herein complies with the 2018 International Residential Code (IRC), Sections R301 & R609 and the 2018 International Building Code (IBC), Sections 1404.13, 1609, 1709.5, 2403 and 2404 subject to the following conditions:

1. Anchors shall be as listed and spaced as shown in the details. Anchor embedment to base material shall be beyond wall dressing or stucco.
2. When used in areas requiring wind-borne debris protection this product is required to be protected with an impact resistant covering that complies with Section R301.2.1.2 of the IRC and Section 1609.2 of the IBC.
3. Allowable design pressure requirements must be equal to or less than the design pressure rating shown in the design pressure chart, sheet 1 of this drawing.
4. Conditions not covered by this drawing are subject to further engineering analysis.

TABLE OF CONTENTS	
SHEET#	DESCRIPTION
1	Typical elevations, design pressures & general notes
2	Vertical & horizontal cross sections & frame anchoring
3	Bill of materials, glazing details and components

OVERALL FRAME DIMENSION	OVERALL VENT DAY LIGHT DIMENSION	OVERALL FIXED DAY LIGHT DIMENSION	GLASS TYPE	DESIGN PRESSURE (PSF)	
				POS.	NEG.
108.0" X 78.0"	30.75" X 72.38"	30.75" X 72.38"	G1	+25.0	-25.0
96.0" X 60.0"	26.75" X 54.38"	26.75" X 54.38"	G1	+35.0	-35.0
96.0" X 48.0"	26.75" X 42.38"	26.75" X 42.38"	G1	+50.0	-50.0



Documents Prepared By: Lyndon F. Schmidt, P.E.
TEXAS P.E. #104123

RW BUILDING CONSULTANTS, INC.
P.O. Box 230 Valrico FL 33595
Phone No.: 813.659.9197

TEXAS BOARD OF PROFESSIONAL ENGINEERS
CERTIFICATE OF REGISTRATION # F-11852

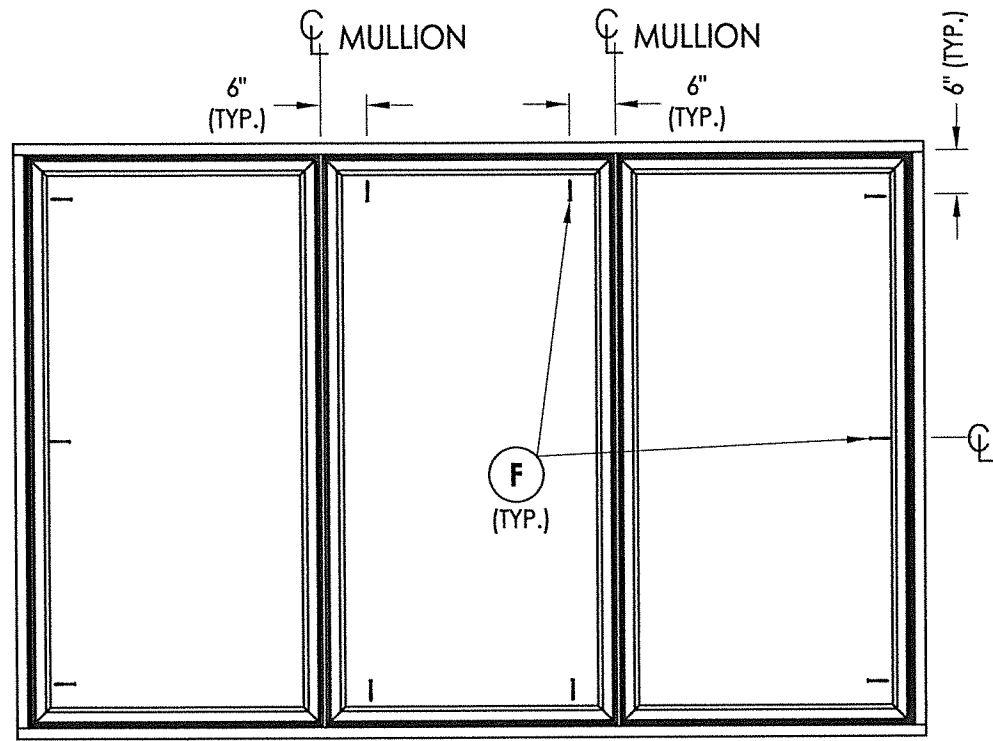
PRODUCT: CASEMENT WINDOW

PART OR ASSEMBLY: TYPICAL ELEVATION, DESIGN PRESSURES & GENERAL NOTES

NO.	DATE	BY	REVISIONS

DATE: 6/08/21
SCALE: N.T.S.
DWG. BY: RW
CHK. BY: LFS
DRAWING NO.: TX-5097
SHEET 1 OF 3

Z:\Clients\Associated PERMANENT B - Texas Dept of Ins\Casement\WIN-XXX Series 097X Casement\C - Drawings\TX-5094.95.96.dwg

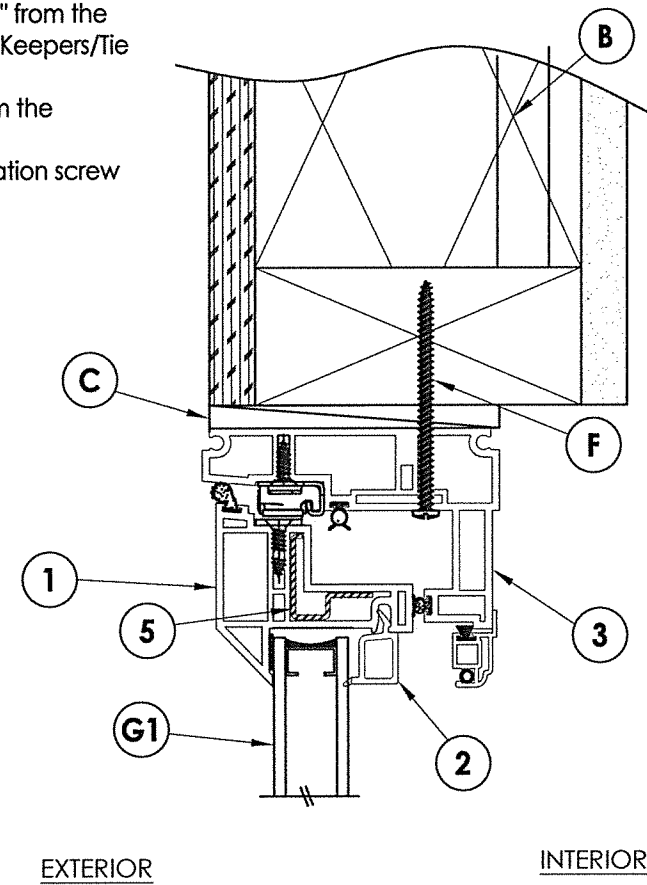


FRAME ANCHORING

2X FRAMING
(BY OTHERS)

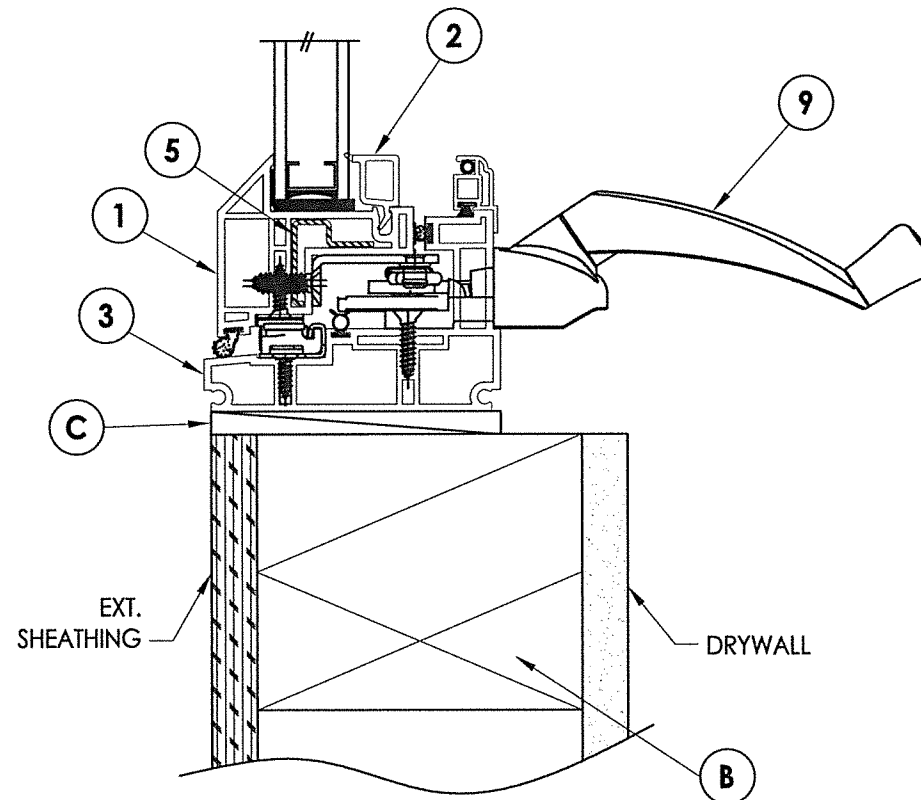
HARDWARE NOTES (EACH SASH):

1. Lock Keepers/Tie Bar Guides (4) are located 3", 25", 47" & 69" from the bottom of the frame. For 60" (or less) frame heights, only (3) Keepers/Tie Bar Guides are required.
2. Snubbers (3) are located at 1/4 points and at mid-span from the bottom of the frame.
3. Substitute one #8 X 2-1/2" PH wood screw for the top installation screw in each snubber (4) and tie bar guide (4).

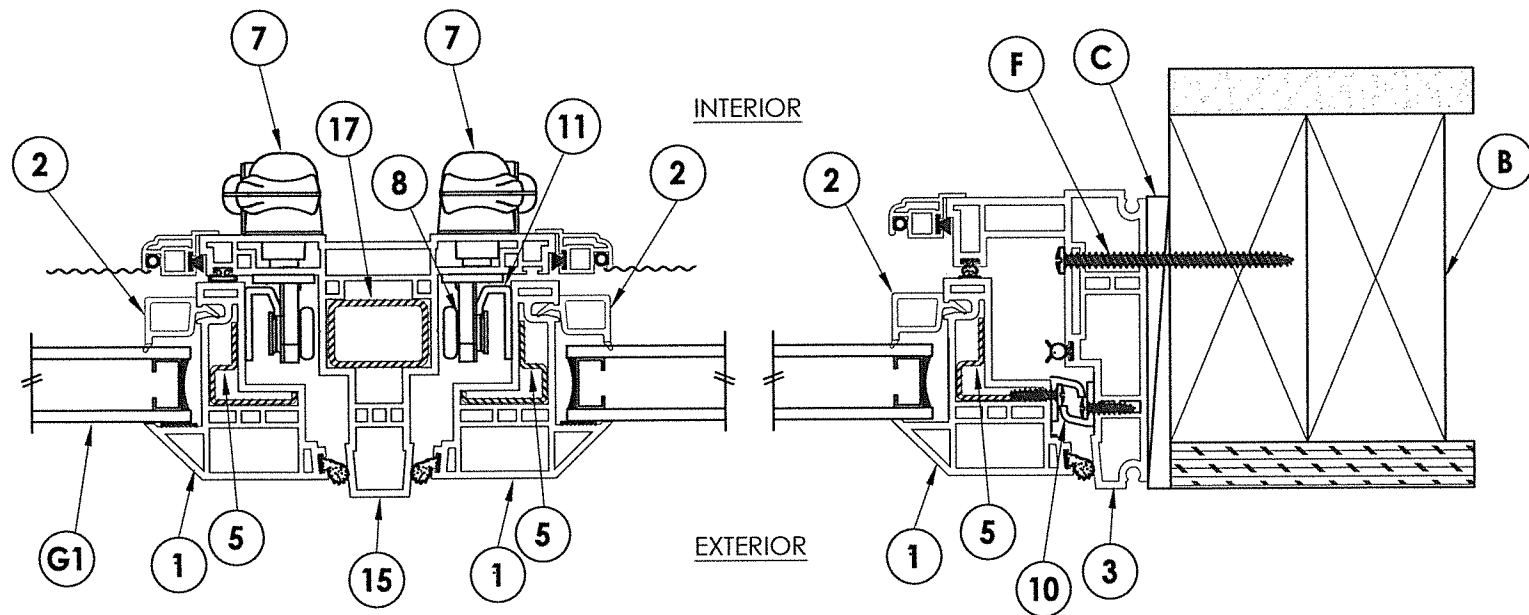


EXTERIOR

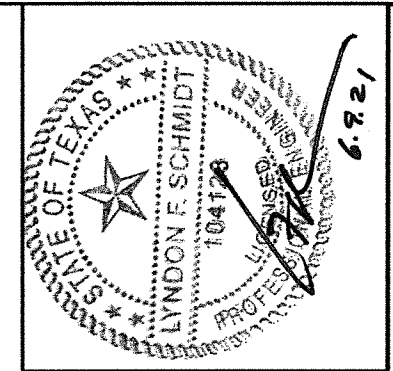
INTERIOR



2 VERTICAL CROSS SECTION



1 HORIZONTAL CROSS SECTION



Documents Prepared By: Lyndon F. Schmidt, P.E.
TEXAS P.E. #104123

RW BUILDING CONSULTANTS, INC.
P.O. Box 230 Valrico FL 33595
Phone No.: 813.659.9197

TEXAS BOARD OF PROFESSIONAL ENGINEERS
CERTIFICATE OF REGISTRATION # F-11852

PRODUCT: CASEMENT WINDOW

PART OR ASSEMBLY: VERTICAL & HORIZONTAL CROSS SECTIONS & FRAME ANCHORING

NO.	DATE	BY	REVISIONS

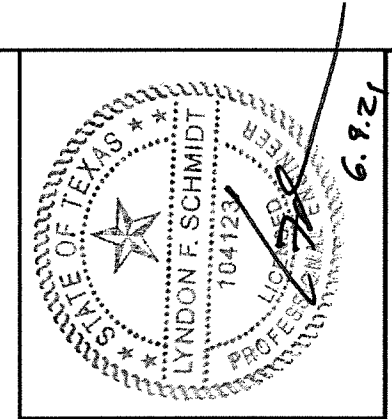
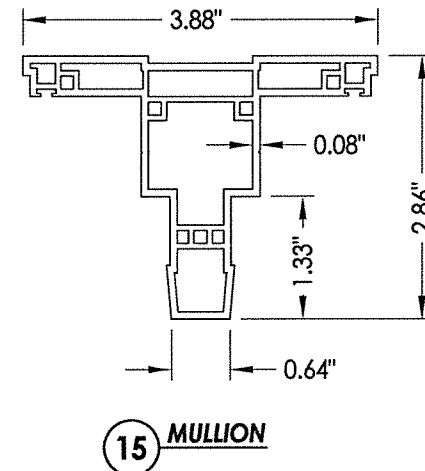
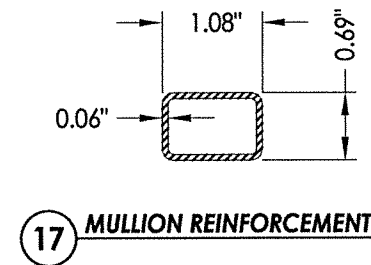
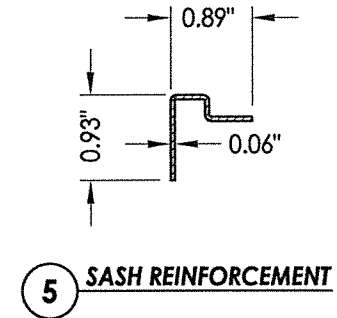
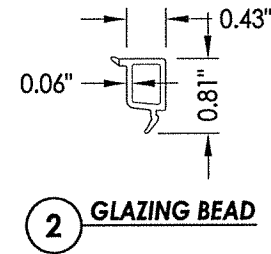
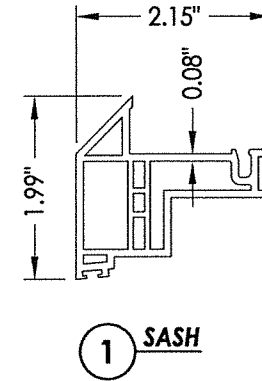
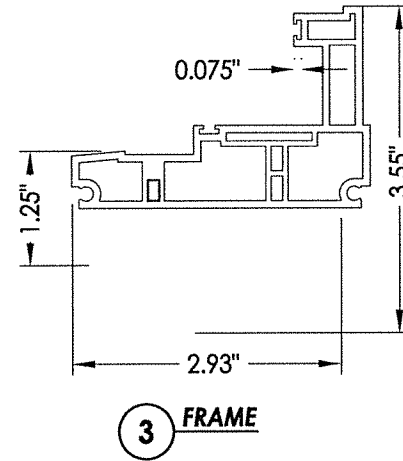
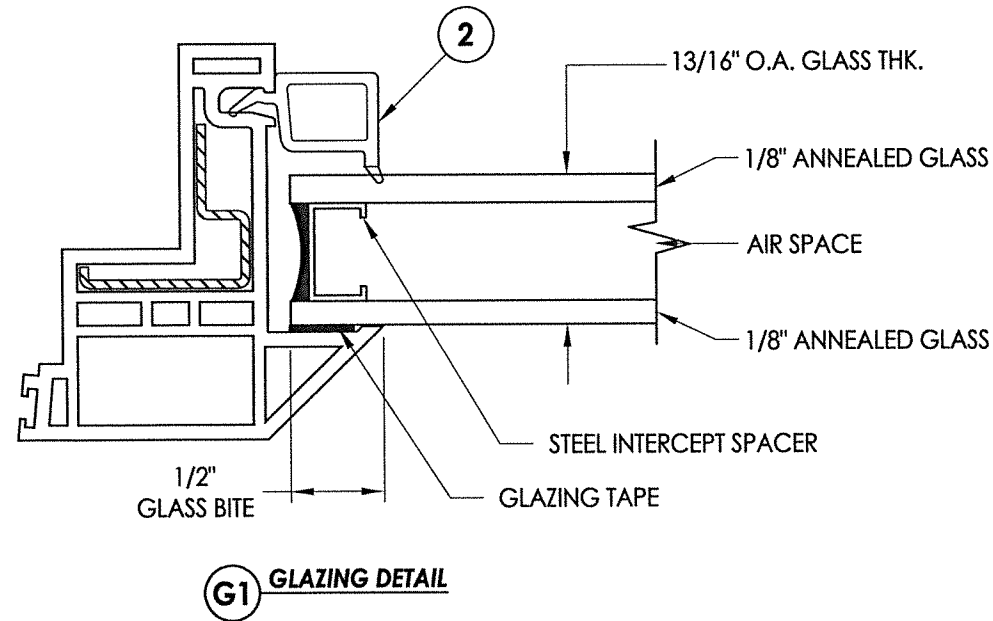
DATE: 6/08/21
SCALE: N.T.S.
DWG. BY: RW
CHK. BY: LFS
DRAWING NO.: TX-5097
SHEET 2 OF 3

Z:\Clients\Associated PERMANENT\B - Texas Dept of Ins\Casement\WIN-XXX Sereis 097X Casement\C - Drawings\TX-5094.95.96.dwg

BILL OF MATERIALS

ITEM #	DESCRIPTION	MATERIAL
B	2X FRAMING (SG >= 0.42)	WOOD
C	1/4" MAX. SHIM SPACE	-
F	#8 X 2-1/2" PH SMS (1-1/4" MIN. EMBEDMENT)	STEEL
1	EXTRUDED VINYL SASH*	RIGID PVC
2	EXTRUDED VINYL GLAZING BEAD*	RIGID PVC
3	EXTRUDED VINYL FRAME*	RIGID PVC
5	SASH REINFORCEMENT (3205)	STEEL
7	LOCK HANDLE w/ GASKET (ASHLAND)	-
8	TIE BAR & GUIDE (ASHLAND) w/ #8 X 1" PPH SMS	-
9	OPERATOR HANDLE (ASHLAND)	-
10	SNUBBER (ASHLAND) w/ #8 X 1/2" PPH SMS	STEEL
11	KEEPER (ASHLAND)	-
15	MULLION*	RIGID PVC
17	MULLION REINFORCEMENT	STEEL

*THE APPROVED WHITE RIGID PVC EXTERIOR EXTRUSIONS FOR WINDOWS ARE TO BE PRODUCED BY EXTRUDERS LICENSEES IN "AAMA CERTIFICATION PROGRAMS FOR RIGID PVC EXTRUSIONS."



Documents Prepared By: Lyndon F. Schmidt, P.E.
TEXAS P.E. #104123

RW BUILDING CONSULTANTS, INC.
P.O. Box 230 Valrico FL 33595
Phone No.: 813.659.9197
TEXAS BOARD OF PROFESSIONAL ENGINEERS
CERTIFICATE OF REGISTRATION # F-11852

PRODUCT: CASEMENT WINDOW
PART OR ASSEMBLY: BILL OF MATERIALS, GLAZING DETAILS & COMPONENTS

NO.	DATE	BY

DATE: 6/08/21
SCALE: N.T.S.
DWG. BY: RW
CHK. BY: LFS
DRAWING NO.: TX-5097
SHEET 3 OF 3