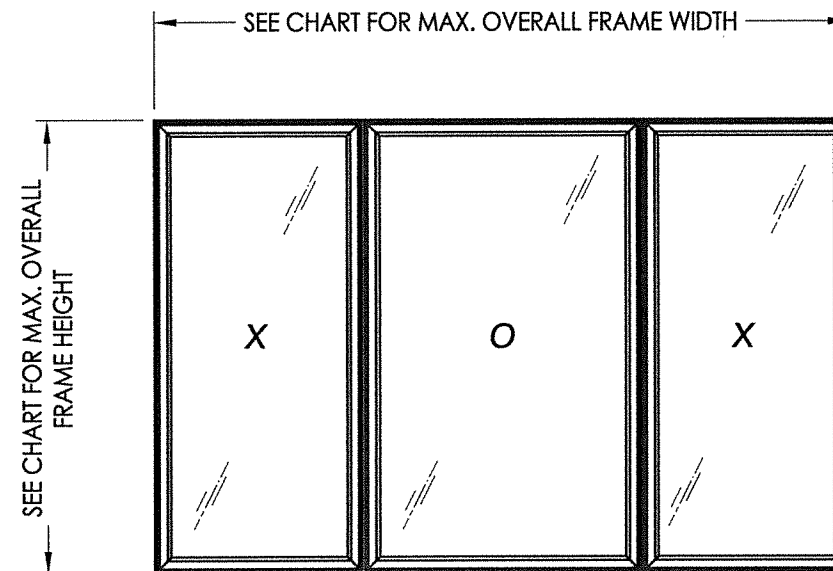


# SERIES 0973 TRIPLE CASEMENT WINDOW "NON-IMPACT"



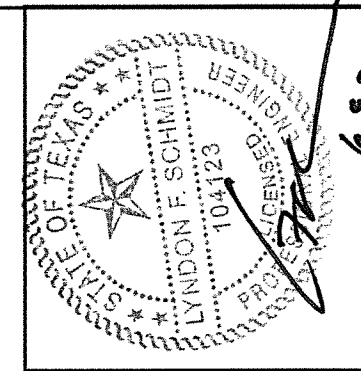
**EVALUATED FOR USE IN THE STATE OF TEXAS**

The Casement Window described herein complies with the 2018 International Residential Code (IRC), Sections R301 & R609 and the 2018 International Building Code (IBC), Sections 1404.13, 1609, 1709.5, 2403 and 2404 subject to the following conditions:

1. Anchors shall be as listed and spaced as shown in the details. Anchor embedment to base material shall be beyond wall dressing or stucco.
2. When used in areas requiring wind-borne debris protection this product is required to be protected with an impact resistant covering that complies with Section R301.2.1.2 of the IRC and Section 1609.2 of the IBC.
3. Allowable design pressure requirements must be equal to or less than the design pressure rating shown in the design pressure chart, sheet 1 of this drawing.
4. Conditions not covered by this drawing are subject to further engineering analysis.

TABLE OF CONTENTS	
SHEET#	DESCRIPTION
1	Typical elevations, design pressures & general notes
2	Vertical & horizontal cross sections & frame anchoring
3	Bill of materials, glazing details and components

OVERALL FRAME DIMENSION	OVERALL VENT DAY LIGHT DIMENSION	OVERALL FIXED DAY LIGHT DIMENSION	GLASS TYPE	DESIGN PRESSURE (PSF)	
				POS.	NEG.
96.0" X 60.0"	18.63" X 54.38"	42.75" X 54.38"	G1	+30.0	-30.0
96.0" X 48.0"	18.63" X 42.38"	42.75" X 42.38"	G1	+45.0	-45.0



Documents Prepared By: Lyndon F. Schmidt, P.E.  
TEXAS P.E. #104123

*RW* BUILDING CONSULTANTS, INC.  
P.O. Box 230 Valrico FL 33595  
Phone No.: 813.659.9197

TEXAS BOARD OF PROFESSIONAL ENGINEERS  
CERTIFICATE OF REGISTRATION # F-11852

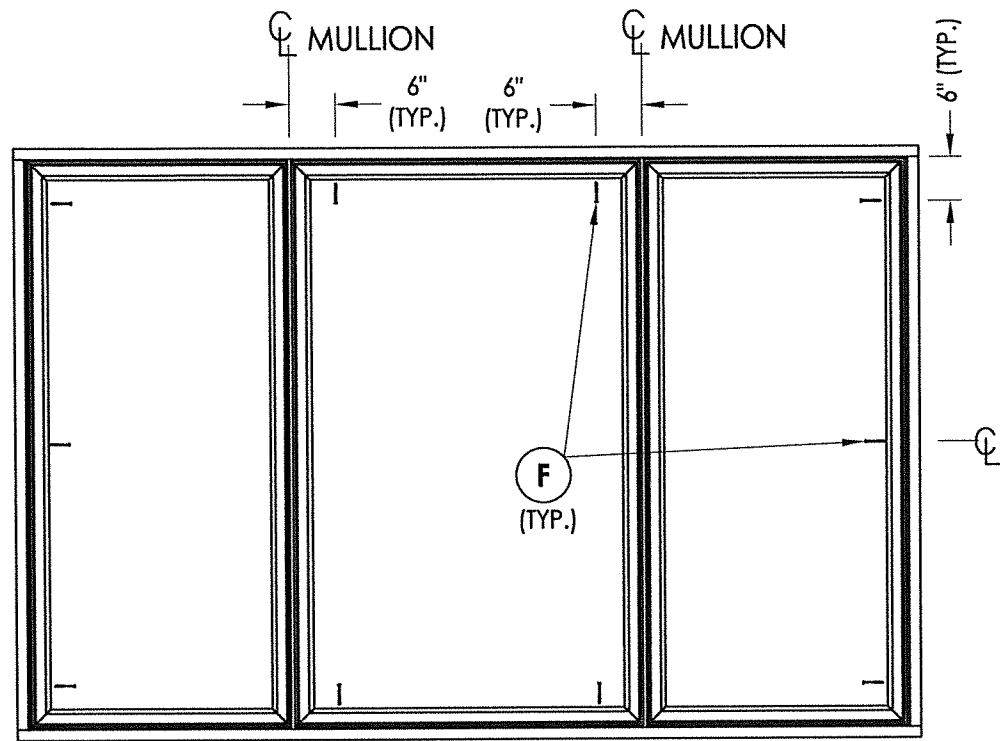
PRODUCT: CASEMENT WINDOW

PART OR ASSEMBLY: TYPICAL ELEVATION, DESIGN PRESSURES & GENERAL NOTES

NO.	DATE	BY	REVISIONS

DATE: 6/08/21  
SCALE: N.T.S.  
DWG. BY: RW  
CHK. BY: LFS  
DRAWING NO.: TX-5096  
SHEET 1 OF 3

Z:\Clients\Associated PERMANENT\B - Texas Dept of Ins\Casement\WIN-XXX Sereis 097X Casement\C - Drawings\TX-5094.95.96.dwg

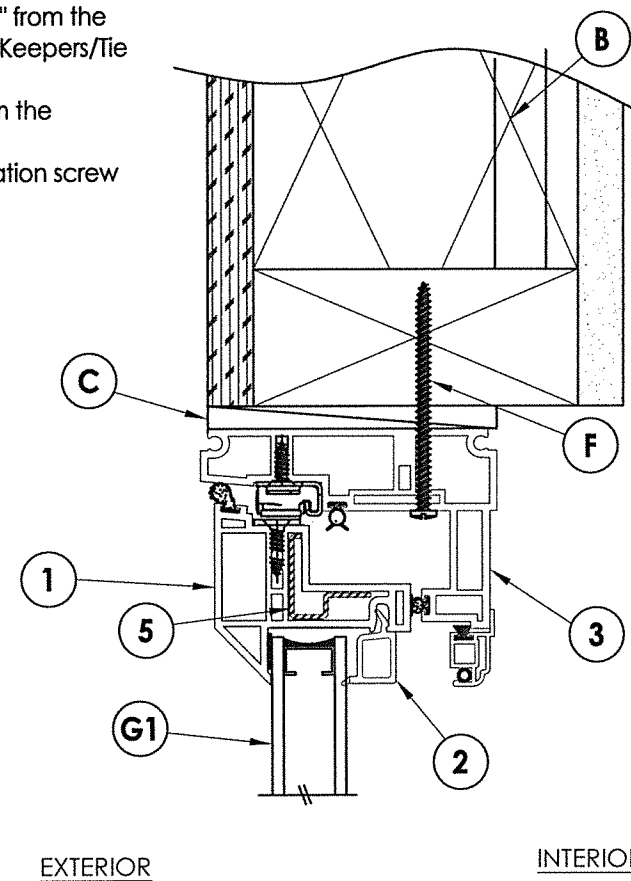


**FRAME ANCHORING**

2X FRAMING  
(BY OTHERS)

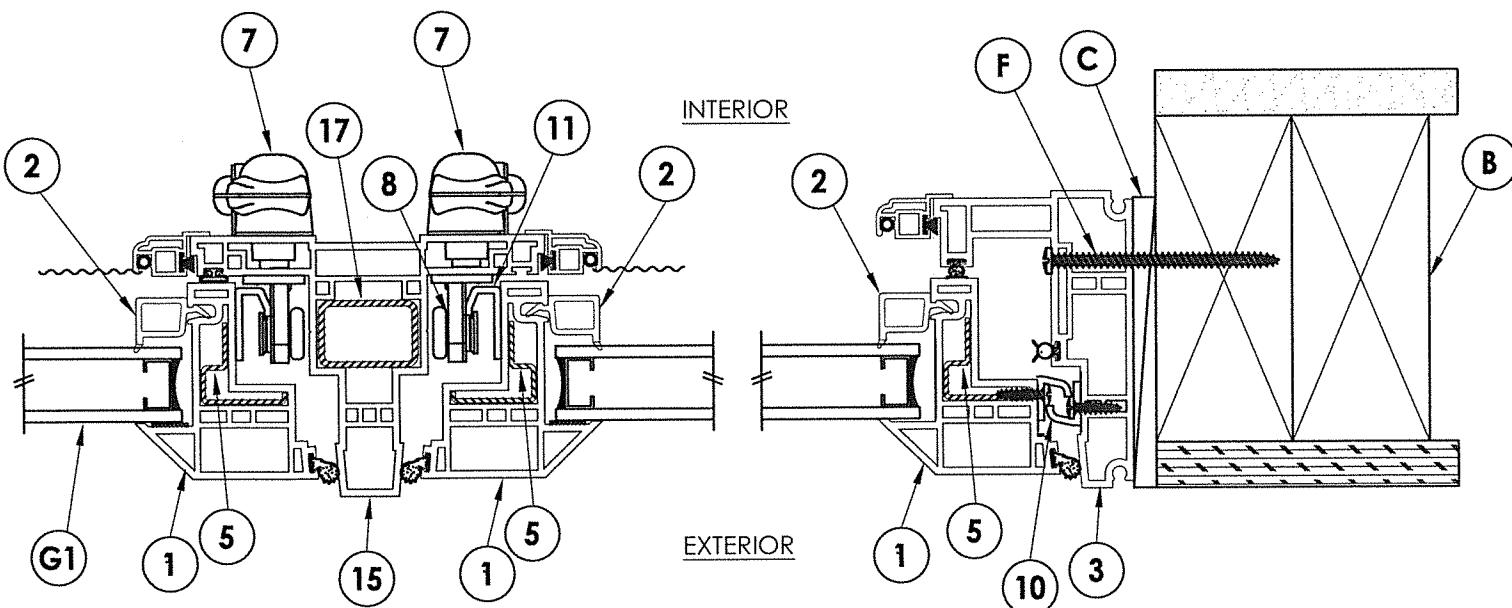
**HARDWARE NOTES (EACH SASH):**

1. Lock Keepers/Tie Bar Guides (4) are located 3", 25", 47" & 69" from the bottom of the frame. For 60" (or less) frame heights, only (3) Keepers/Tie Bar Guides are required.
2. Snubbers (3) are located at 1/4 points and at mid-span from the bottom of the frame.
3. Substitute one #8 X 2-1/2" PH wood screw for the top installation screw in each snubber (4) and tie bar guide (4).

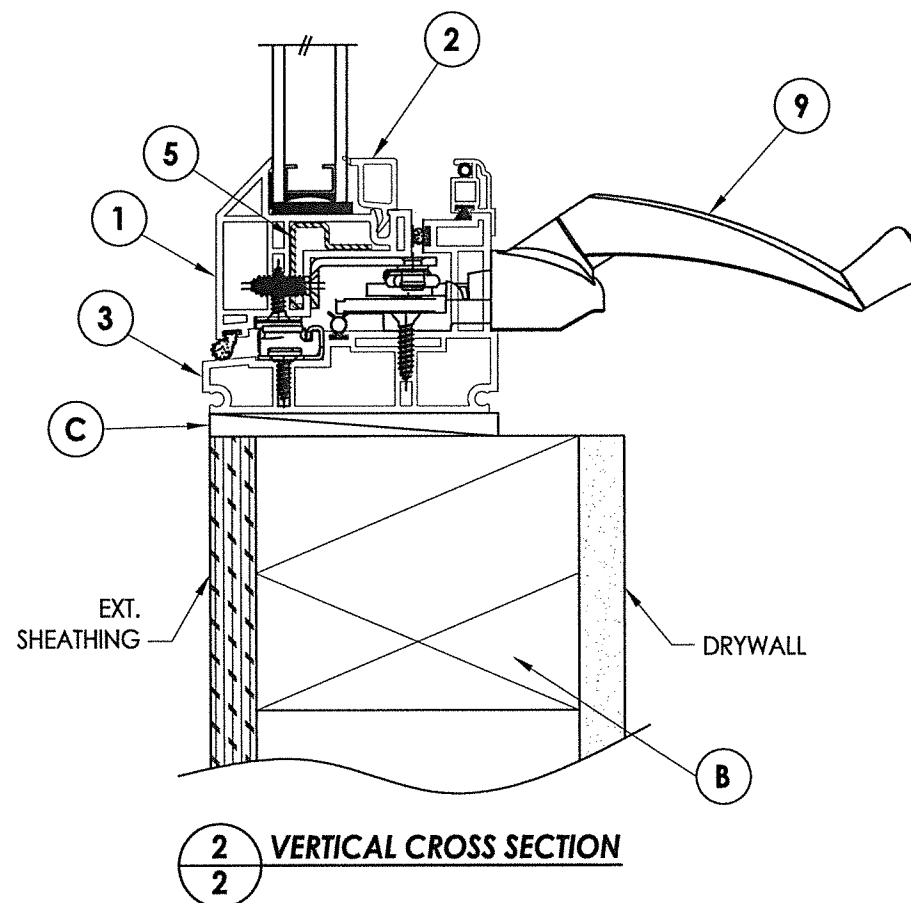


EXTERIOR

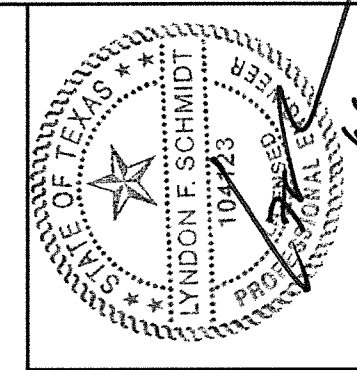
INTERIOR



**1 HORIZONTAL CROSS SECTION**  
**2 VERTICAL CROSS SECTION**



**2 VERTICAL CROSS SECTION**



Documents Prepared By: Lyndon F. Schmidt, P.E.  
TEXAS P.E. #104123

**RW** BUILDING CONSULTANTS, INC.  
P.O. Box 230 Valrico FL 33595  
Phone No.: 813.659.9197

TEXAS BOARD OF PROFESSIONAL ENGINEERS  
CERTIFICATE OF REGISTRATION # F-11852

PRODUCT: CASEMENT WINDOW  
PART OR ASSEMBLY: VERTICAL & HORIZONTAL CROSS SECTIONS & FRAME ANCHORING

NO.	DATE	REVISIONS	BY

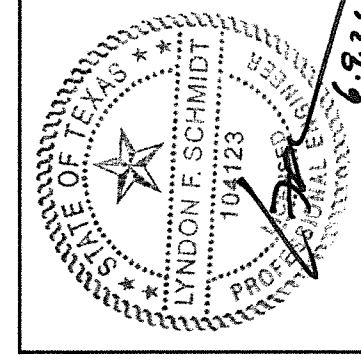
DATE: 6/08/21  
SCALE: N.T.S.  
DWG. BY: RW  
CHK. BY: LFS  
DRAWING NO.: TX-5096  
SHEET 2 OF 3

Z:\Clients\Associated PERMANENT\B - Texas Dept of Ins\Casement\WIN-XXX Sereis 097X Casement\C - Drawings\TX-5094.95.96.dwg

**BILL OF MATERIALS**

ITEM #	DESCRIPTION	MATERIAL
B	2X FRAMING (SG >= 0.42)	WOOD
C	1/4" MAX. SHIM SPACE	-
F	#8 X 2-1/2" PH SMS (1-1/4" MIN. EMBEDMENT)	STEEL
1	EXTRUDED VINYL SASH*	RIGID PVC
2	EXTRUDED VINYL GLAZING BEAD*	RIGID PVC
3	EXTRUDED VINYL FRAME*	RIGID PVC
5	SASH REINFORCEMENT (3205)	STEEL
7	LOCK HANDLE w/ GASKET (ASHLAND)	-
8	TIE BAR & GUIDE (ASHLAND) w/ #8 X 1" PPH SMS	-
9	OPERATOR HANDLE (ASHLAND)	-
10	SNUBBER (ASHLAND) w/ #8 X 1/2" PPH SMS	STEEL
11	KEEPER (ASHLAND)	-
15	MULLION*	RIGID PVC
17	MULLION REINFORCEMENT	STEEL

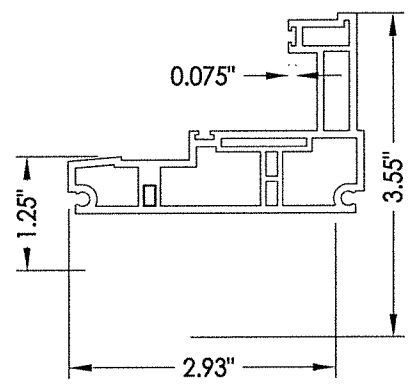
\*THE APPROVED WHITE RIGID PVC EXTERIOR EXTRUSIONS FOR WINDOWS ARE TO BE PRODUCED BY EXTRUDERS LICENSEES IN "AAMA CERTIFICATION PROGRAMS FOR RIGID PVC EXTRUSIONS."



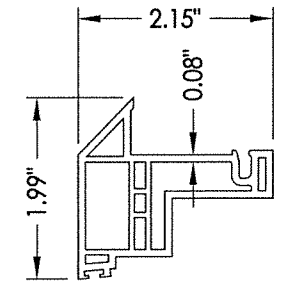
Documents Prepared By: Lyndon F. Schmidt, P.E.  
TEXAS P.E. #104123

**RW** BUILDING CONSULTANTS, INC.  
P.O. Box 230 Valrico FL 33595  
Phone No.: 813.659.9197

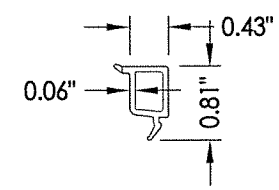
TEXAS BOARD OF PROFESSIONAL ENGINEERS  
CERTIFICATE OF REGISTRATION # F-11852



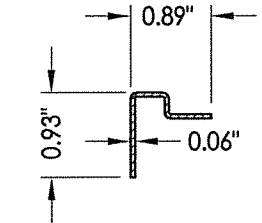
**3 FRAME**



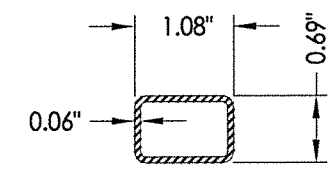
**1 SASH**



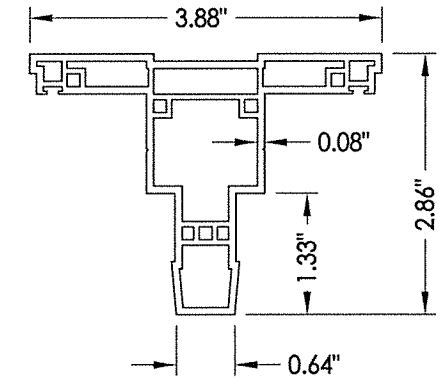
**2 GLAZING BEAD**



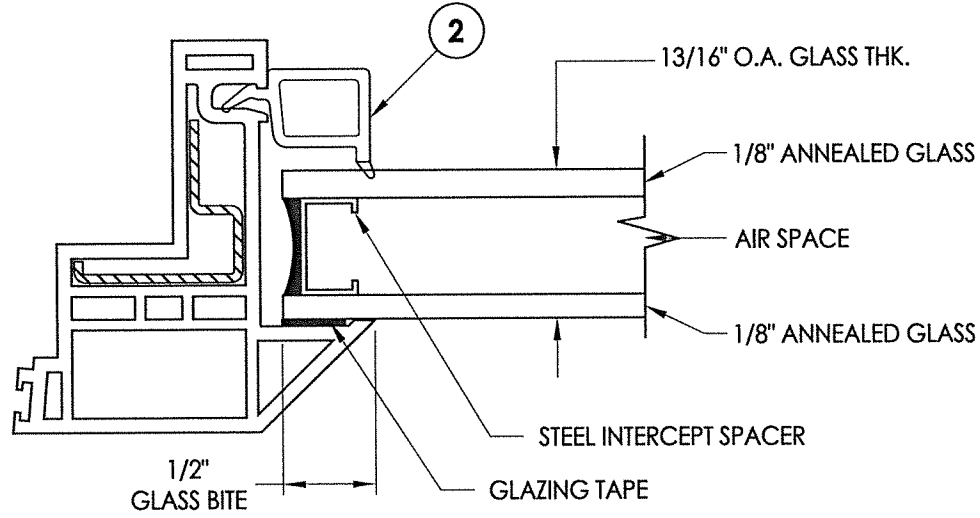
**5 SASH REINFORCEMENT**



**17 MULLION REINFORCEMENT**



**15 MULLION**



**G1 GLAZING DETAIL**

PRODUCT: CASEMENT WINDOW	
PART OR ASSEMBLY: BILL OF MATERIALS, GLAZING DETAILS & COMPONENTS	
NO.	DATE
BY	REVISIONS
DATE: 6/08/21	
SCALE: N.T.S.	
DWG. BY: RW	
CHK. BY: LFS	
DRAWING NO.: TX-5096	
SHEET 3 OF 3	

© 2021 R.W. BUILDING CONSULTANTS INC.