

**MODEL 1702**  
**HORIZONTAL SLIDER**  
**w/ NAILING FIN**  
**"NON-IMPACT"**

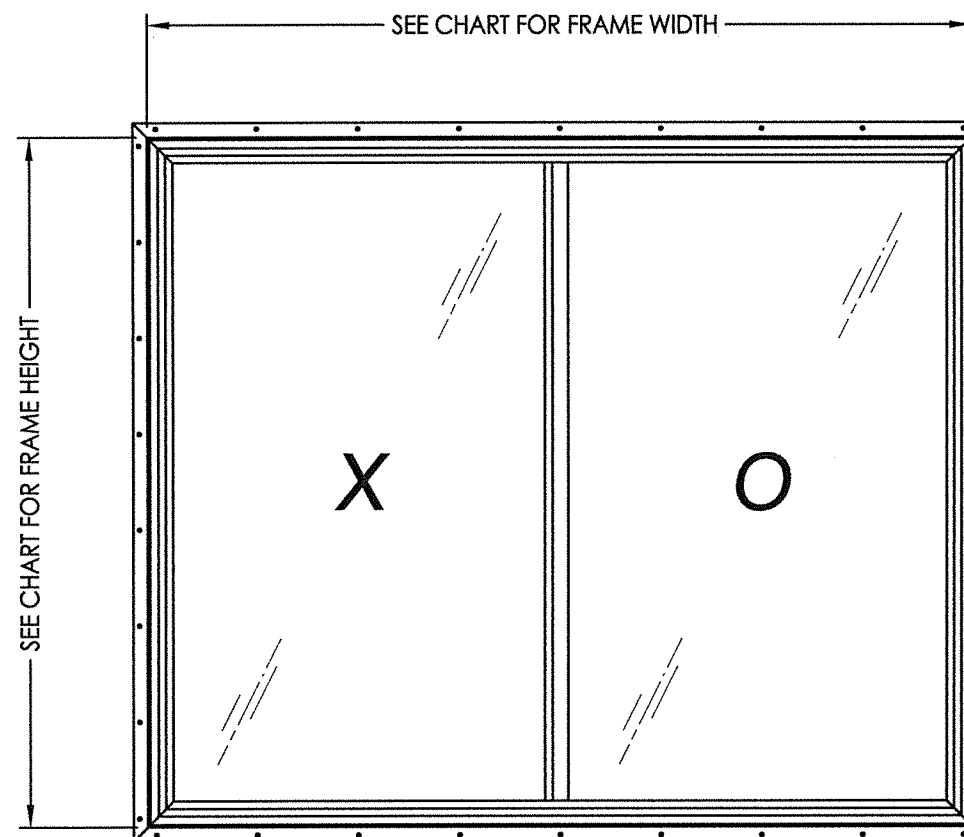
**EVALUATED FOR USE IN THE STATE OF TEXAS**

The Horizontal Slider Window described herein complies with the 2018 International Residential Code (IRC), Sections R301 & R609 and the 2018 International Building Code (IBC), Sections 1404.13, 1609, 1709.5, 2403 and 2404 subject to the following conditions:

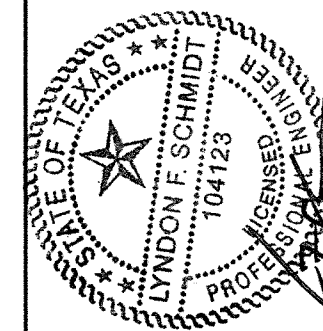
1. Anchors shall be as listed and spaced as shown in the details. Anchor embedment to base material shall be beyond wall dressing or stucco.
2. When used in areas requiring wind-borne debris protection this product is required to be protected with an impact resistant covering that complies with Section R301.2.1.2 of the IRC and Section 1609.2 of the IBC.
3. Allowable design pressure requirements must be equal to or less than the design pressure rating shown in the design pressure chart, sheet 1 of this drawing.
4. Conditions not covered by this drawing are subject to further engineering analysis.

**TABLE OF CONTENTS**

SHEET#	DESCRIPTION
1	Typical elevations, design pressures & general notes
2	Vertical & horizontal cross sections & frame anchoring
3	Bill of materials, glazing detail and components



OVERALL FRAME DIMENSION	OVERALL OPERABLE D.L.O. DIMENSION	OVERALL FIXED D.L.O. DIMENSION	GLASS TYPE	DESIGN PRESSURE (PSF)	
				POSITIVE	NEGATIVE
71.0" x 56.0"	32.5" x 51.5"	32.25" x 51.5"	G1	+25.0	-25.0
48.0" x 60.0"	21.0" x 55.5"	20.75" x 55.5"		+30.0	-30.0



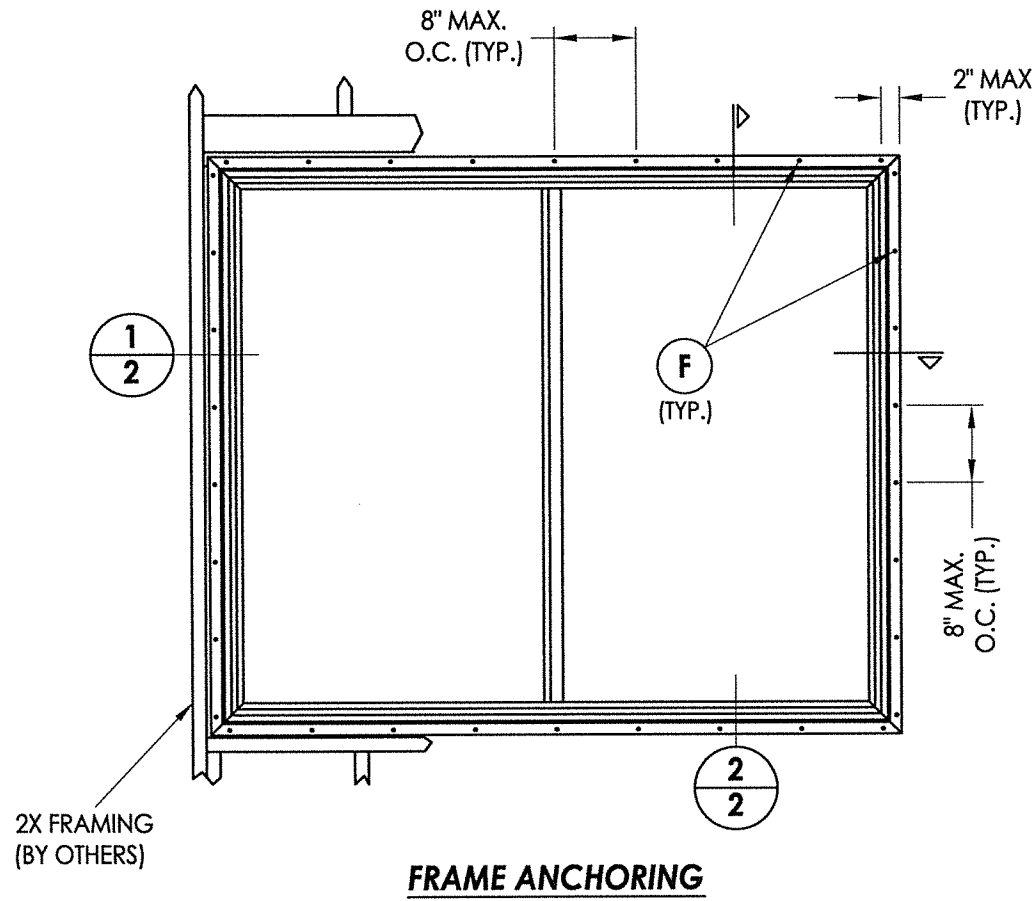
Documents Prepared By: Lyndon F. Schmidt, P.E.  
TEXAS P.E. #104123  
*RW* BUILDING CONSULTANTS, INC.  
P.O. Box 230 Valrico FL 33595  
Phone No.: 813.659.9197  
TEXAS BOARD OF PROFESSIONAL ENGINEERS  
CERTIFICATE OF REGISTRATION # F-11852

PRODUCT: HORIZONTAL SLIDER  
PART OR ASSEMBLY: TYPICAL ELEVATION, DESIGN PRESSURES & GENERAL NOTES

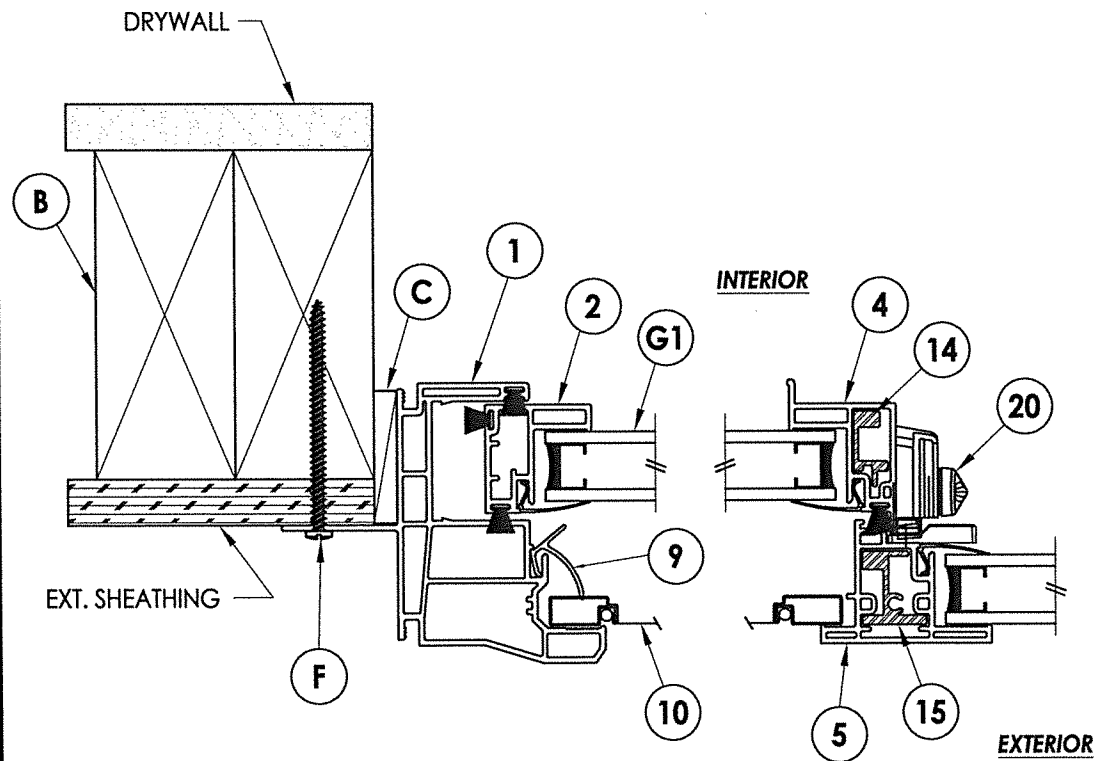
NO.	DATE	BY	REVISIONS

DATE: 4/28/21  
SCALE: N.T.S.  
DWG. BY: RW  
CHK. BY: LFS  
DRAWING NO.: TX-5185  
SHEET 1 OF 3

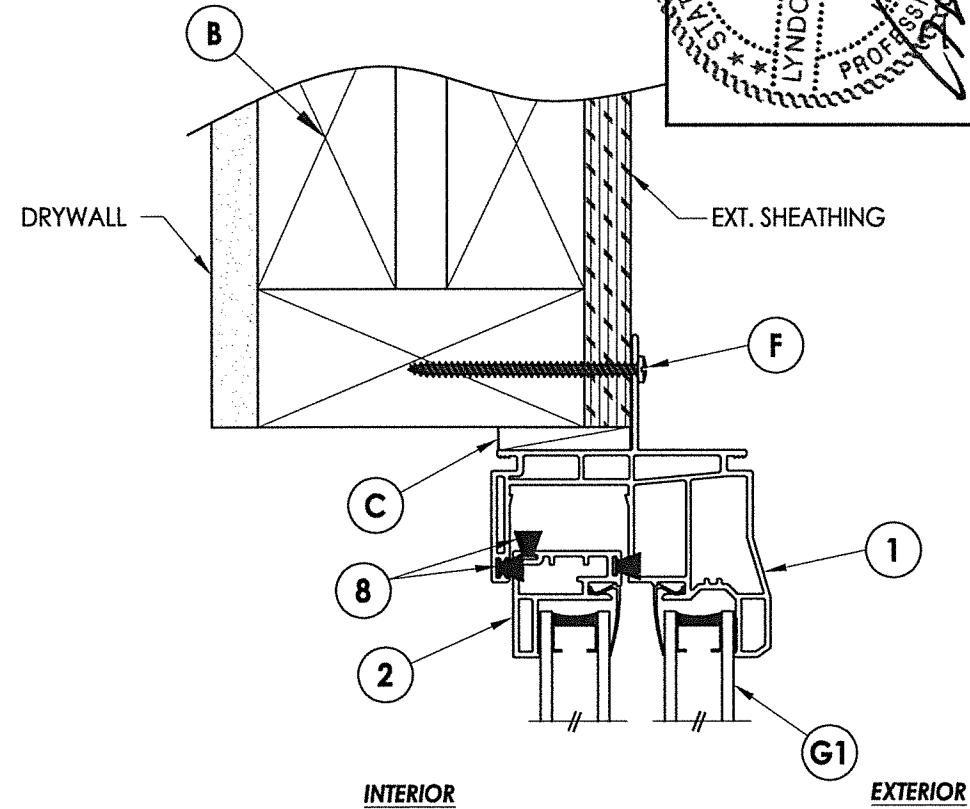
Z:\Clients\Associated PERMANENT\B - Texas Dept of Ins\Horizontal Slider\WIN XXX Series 1700 Horizontal Slider\C - Drawings\TX-5185.86.dwg



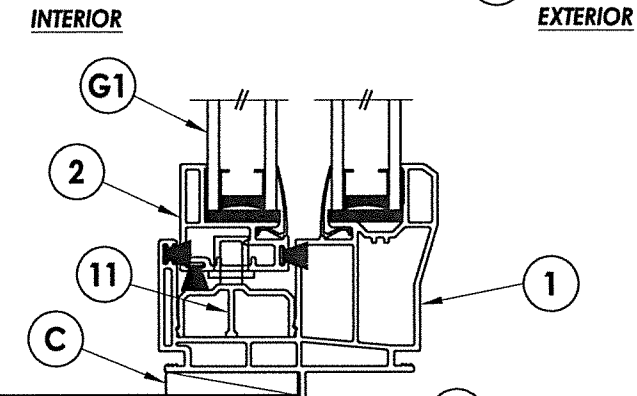
**FRAME ANCHORING**



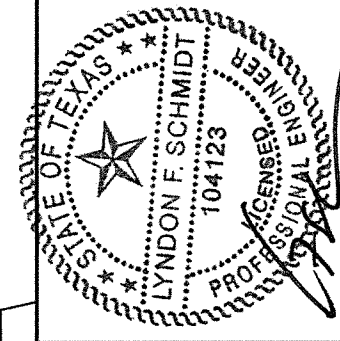
**1 HORIZONTAL CROSS SECTION**



**2 VERTICAL CROSS SECTION**



**11 HORIZONTAL CROSS SECTION**



Documents Prepared By: Lyndon F. Schmidt, P.E.  
TEXAS P.E. #104123

**RW** BUILDING CONSULTANTS, INC.  
P.O. Box 230 Volrico FL 33595  
Phone No.: 813.659.9197  
TEXAS BOARD OF PROFESSIONAL ENGINEERS  
CERTIFICATE OF REGISTRATION # F-11852

PRODUCT:	HORIZONTAL SLIDER
PART OR ASSEMBLY:	VERTICAL & HORIZONTAL CROSS SECTIONS & FRAME ANCHORING

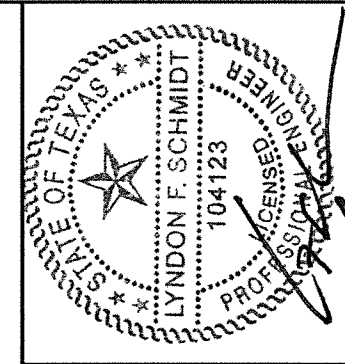
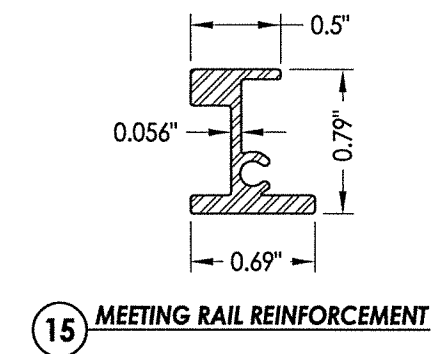
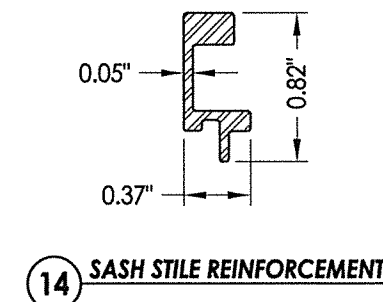
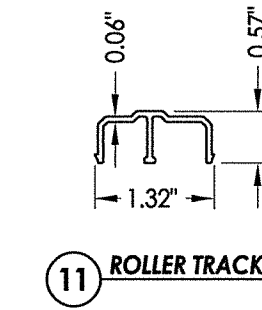
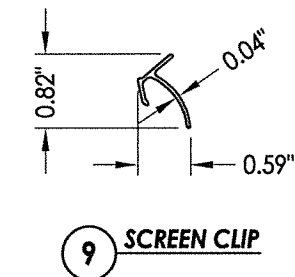
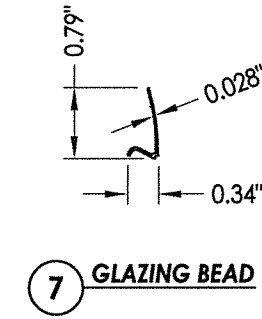
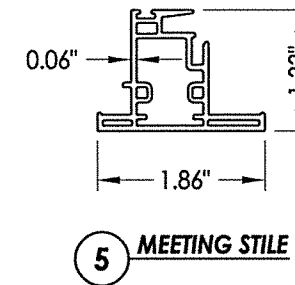
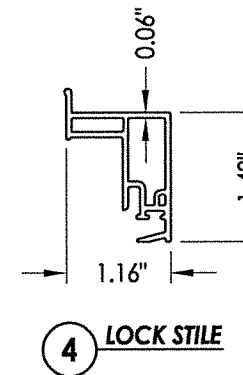
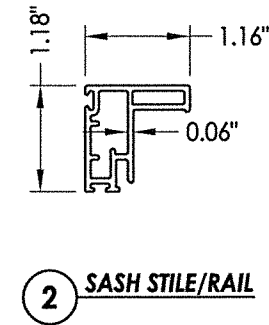
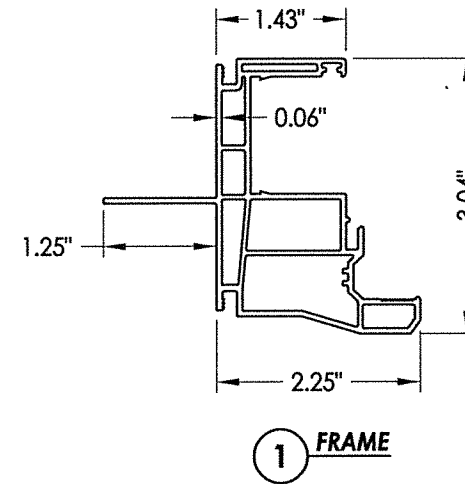
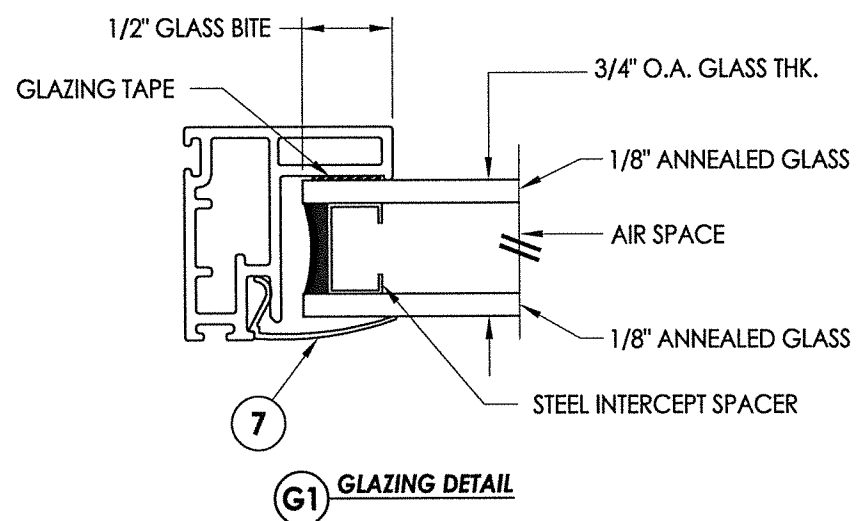
NO.	DATE	BY	REVISIONS

DATE:	4/28/21
SCALE:	N.T.S.
DWG. BY:	RW
CHK. BY:	LFS
DRAWING NO.:	TX-5185
SHEET	2 OF 3

© 2021 R.W. BUILDING CONSULTANTS INC.

BILL OF MATERIALS		
ITEM #	DESCRIPTION	MATERIAL
B	2X FRAMING (SG >= 0.42)	WOOD
C	1/8" MAX. SHIM SPACE	-
F	#8 X 2-1/2" PPH SMS (1-3/4" MIN. EMBEDMENT)	STEEL
1	EXTRUDED VINYL FRAME *	RIGID PVC
2	EXTRUDED VINYL SASH STILE/RAIL *	RIGID PVC
4	EXTRUDED VINYL LOCK STILE *	RIGID PVC
5	EXTRUDED VINYL MEETING STILE *	RIGID PVC
7	EXTRUDED VINYL GLAZING BEAD *	RIGID PVC
8	WEATHERSTRIP (FIN PILE)	-
9	SCREEN CLIP	RIGID PVC
10	SCREEN	-
11	ROLLER TRACK	RIGID PVC
14	SASH STILE REINFORCEMENT (S-047)(6063-T5)	ALUM
15	MEETING STILE REINFORCEMENT (S-065)(6063-T5)	ALUM
20	CAM LOCK	-

\*THE APPROVED WHITE RIGID PVC EXTERIOR EXTRUSIONS FOR WINDOWS ARE TO BE PRODUCED BY EXTRUDERS LICENSEES IN "AAMA CERTIFICATION PROGRAMS FOR RIGID PVC EXTRUSIONS."



Documents Prepared By: Lyndon F. Schmidt, P.E.  
TEXAS P.E. #104123

**RW** BUILDING CONSULTANTS, INC.  
P.O. Box 230 Valrico FL, 33595  
Phone No.: 813.859.9197

TEXAS BOARD OF PROFESSIONAL ENGINEERS  
CERTIFICATE OF REGISTRATION # F-11852

PRODUCT:	HORIZONTAL SLIDER
PART OR ASSEMBLY:	BILL OF MATERIALS, GLAZING DETAILS & COMPONENTS
NO.	DATE
BY	REVISIONS
DATE:	4/28/21
SCALE:	N.T.S.
DWG. BY:	RW
CHK. BY:	LFS
DRAWING NO.:	TX-5185
SHEET	3 OF 3