

GENERAL NOTES:

1. ALL FASTENERS SHALL BE IN ACCORDANCE WITH THESE DRAWINGS. SPECIFIED ANCHOR EMBED TO BASE MATERIAL SHALL BE BEYOND WALL FINISH OR STUCCO.
2. OPENINGS, BLOCKING & BUCKING FASTENERS MUST BE PROPERLY DESIGNED & INSTALLED TO TRANSFER WIND LOADS TO THE STRUCTURE.
3. THESE NON-WINDOW BUILDING CODE (NBC).
4. ALL ANCHORS SECURING PRODUCT FRAME TO PRESSURE TREATED BUCKS OR WOOD FRAMING SHALL BE CAPABLE OF RESISTING CORROSION CAUSED BY THE PRESSURE TREATING CHEMICALS IN THE WOOD.
5. TO THE BEST OF OUR KNOWLEDGE, THE PRODUCT SHOWN HEREIN IS CERTIFIED & QUALITY ASSURED BY A NATIONALLY ACCREDITED CERTIFICATION/OA ENTITY & SHALL BE LABELED IN ACCORDANCE WITH CERTIFICATION/OA ENTITIES SPECIFICATIONS. PRODUCT ASSEMBLY IS NOT PART OF THIS DRAWING AND SHALL BE IN ACCORDANCE WITH THE MANUFACTURER'S QUALITY ASSURANCE SPECIFICATIONS & TESTING REPORTS.
6. CERTIFICATION OF THESE PRODUCT INSTALLATIONS SHALL BE CONSIDERED VOID IF ANY OF THE FOLLOWING APPLY:
 - 1) THEY ARE INSTALLED WITHOUT A BUILDING PERMIT FROM THE APPLICABLE LOCAL BUILDING DEPARTMENT.
 - 2) IF THEY ARE INSTALLED BY ANYONE OTHER THAN A LICENSED CONTRACTOR EXPERIENCED WITH WINDOW/DOOR INSTALLATIONS.
 - 3) IF CHANGES HAVE OCCURRED TO THE PRODUCT'S CERTIFICATION ENTITY'S APPLICABLE TEST CASE THESE INSTALLATIONS TO BE INCORPORATED INTO THE PRODUCT'S CERTIFICATION ENTITY'S TESTED CASE.
 - 4) THE LEAST DESIGNATED PRODUCT.
 - 5) THESE DRAWINGS CERTIFY THE PRODUCT INSTALLATION ONLY. WATER PROOFING OF THE INSTALLED PRODUCT IS NOT PART OF THIS INSTALLATION CERTIFICATION. THAT RESPONSIBILITY SHALL BE THAT OF THE MANUFACTURER &/OR INSTALLER.

INSTALLATION EVALUATION IS BASED ON APPLICABLE ANCHOR STANDARDS AND/OR INFORMATION & RESULTS FROM APPLICABLE TEST REPORTS. THE BUILDING CODE VERSION CONSIDERED WITH THE EVALUATION WAS THAT IN FORCE AT THE TIME OF THE EVALUATION. IN THE EVENT OF CODE VERSION CHANGES/UPDATES OR IN THE EVENT THAT NEW OR ADDITIONAL TESTING IS COMPLETED ON THE REFERENCED PRODUCT, PRIOR TO STATING CODE COMPLIANCE, THE MANUFACTURER'S CONFORM WITH THE INSTALLATION EVALUATION STANDARDS, RECORD THAT THE INSTALLATIONS WERE FIELD INSPECTED AND CONFORM WITH THE THEN CURRENT TESTING, CODE AND APPLICABLE STANDARDS.

FRAME ANCHOR REQUIREMENTS TABLE

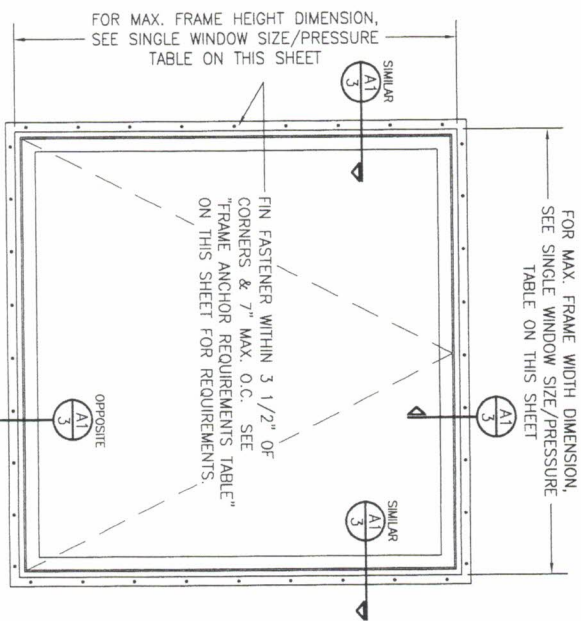
OPENING TYPE (SUBSTRATE)	FRAME/CLIP/NAIL FIN TO OPENING FASTENER TYPE	MINIMUM EMBED	MINIMUM EDGE DIST.
FRAME SCREWS			
MIN. 2X4 WOOD FRAME OR BUCK (MIN. GR. 3 & G=0.55)	NO. 10 SMS OR WOOD SCREW	1 1/4"	3/4"
MIN. 18 GA. 33 KSI METAL STUD	NO. 10 GR. 5 SELF TAP/DRILL SCREW	FULL	1/2"
MIN. 1/8" THK A36 STEEL	NO. 10 GR. 5 SELF TAP/DRILL SCREW	FULL	1/2"
MIN. 1/8" THK 6063-15 ALUM.	NO. 10 GR. 5 SELF TAP/DRILL SCREW	FULL	1/2"
MIN. C-90 CMU OR 2500 PSI CONCRETE	(1) 1/4" CONCRETE SCREW	1 1/4"	2"
INSTALLATION CLIP SCREWS			
(3) MIN. 2X6 WOOD FRAME OR BUCK (MIN. GR. 3 & G=0.55)	NO. 8 SMS SCREW	1 1/8"	3/4"
MIN. 18 GA. 33 KSI METAL STUD	NO. 8 GR. 5 SELF TAP/DRILL SCREW	FULL	1/2"
MIN. 1/8" THK A36 STEEL	NO. 8 GR. 5 SELF TAP/DRILL SCREW	FULL	1/2"
MIN. 1/8" THK 6063-15 ALUM.	NO. 8 GR. 5 SELF TAP/DRILL SCREW	FULL	1/2"
(2) NAILING FIN FASTENERS			
MIN. 2X4 WOOD FRAME OR BUCK (MIN. GR. 3 & G=0.55)	NO. 8 SMS SCREW	1 3/8"	1/2"
MIN. 2X4 WOOD FRAME OR BUCK (MIN. GR. 3 & G=0.55)	11 GA. ROOFING NAIL	1 5/8"	1/2"
MIN. 1/8" THK A36 STEEL	NO. 8 GR. 5 SELF TAP/DRILL SCREW	FULL	1/2"
MIN. 1/8" THK 6063-15 ALUM.	NO. 8 GR. 5 SELF TAP/DRILL SCREW	FULL	1/2"

ALLOWABLE SINGLE WINDOW SIZE/PRESSURE TABLE

MAXIMUM FRAME WIDTH DIMENSION (IN.)	MAXIMUM FRAME HEIGHT DIMENSION (IN.)	ALLOWABLE PRESSURE (+/- PSF)
41 1/2	59 1/2	+50/-60
53 1/2	59 1/2	+/-50
59 1/2	59 1/2	+/-30

CONDITIONS SHOWN IN THIS DRAWING & THIS TABLE ARE GOVERNED BY INSTALLATION REQUIREMENTS ONLY. THE GOVERNING CONDITIONS ON ANY SPECIFIC WINDOW UNIT SHALL BE THE LESSER OF THOSE SPECIFIED IN THE WINDOWS TO APPROVAL OR THAT SHOWN IN THESE DRAWINGS.

LOCK & HINGE HARDWARE VARIES WITHIN EACH WINDOW LISTED IN THE WINDOWS APPROVAL AND SHOULD BE VERIFIED FOR EACH WINDOW AS TO WHAT IS APPLICABLE FOR EACH WINDOW'S SIZE AND REQUIRED DESIGN PRESSURE.



FOR MAX. FRAME HEIGHT DIMENSION, SEE SINGLE WINDOW SIZE/PRESSURE TABLE ON THIS SHEET

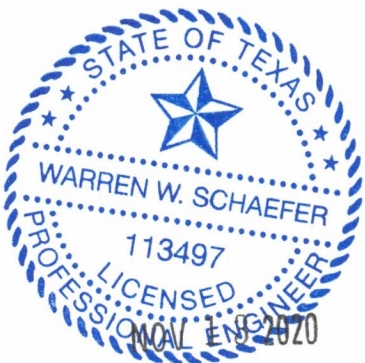
FOR MAX. FRAME WIDTH DIMENSION, SEE SINGLE WINDOW SIZE/PRESSURE TABLE ON THIS SHEET

FIN FASTENER WITHIN 3 1/2" OF CORNERS & 7" MAX. O.C. SEE "FRAME ANCHOR REQUIREMENTS TABLE" ON THIS SHEET FOR REQUIREMENTS.

EXTERIOR ELEVATION: SINGLE WINDOW
SCALE: 3/4" = 1'-0"
(NAIL FIN MOUNT CONDITION)

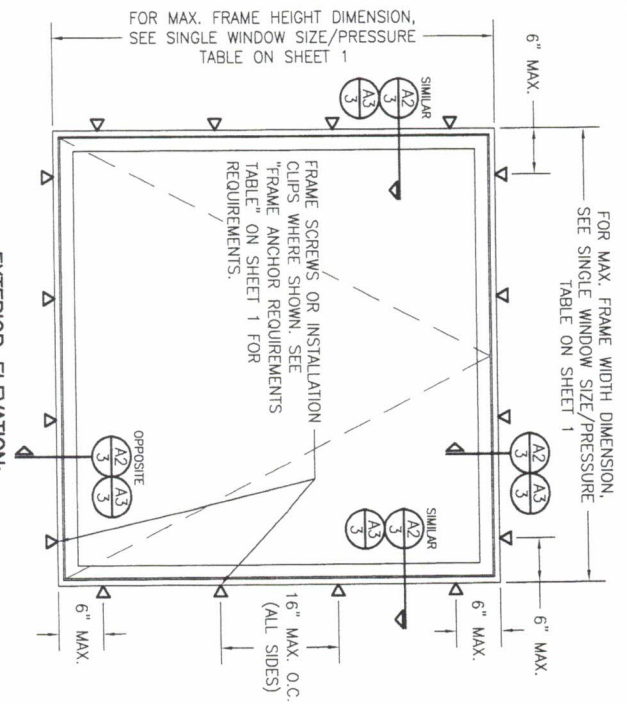
ANCHOR/SUBSTRATE EVALUATION NOTE:
ALL ANCHORS IN THEIR SPECIFIED SUBSTRATES HAVE BEEN ANALYZED IN ACCORDANCE WITH THEIR APPLICABLE STANDARD(S) AND ARE FOUND TO BE CAPABLE OF SUPPORTING ALL LOADS IMPOSED ON THEM UNDER THE GUIDELINES OF THIS DOCUMENT. ANY SUBSTRATES OR CONDITIONS OUTSIDE OF WHAT IS SHOWN HERE-IN SHALL BE SUBJECT TO JOB SPECIFIC ENGINEER'S REVIEW & CERTIFICATION.

INSTALLATION NOTE:
WHEN NECESSARY, INSTALLATION METHODS MAY BE MIXED WITH ANY ONE WINDOW SUCH THAT INDIVIDUAL SIDES OF THE WINDOW MAY USE ONE OR THE OTHER ANCHOR METHOD (EXAMPLE: SILL MAY USE FRAME SCREWS METHOD WHILE OTHER SIDES USE FIN)

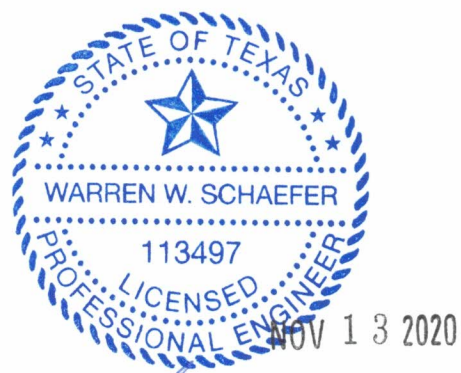


THESE DRAWINGS ARE APPLICABLE ONLY TO THE PRODUCT SPECIFIED. THEY MAY NOT BE USED FOR THE ASSEMBLY AND/OR INSTALLATION OF ANY OTHER PRODUCT WITHOUT THE WRITTEN APPROVAL OF THE MANUFACTURER OF ANY PRODUCT NOT PRODUCED BY THE MANUFACTURER STATED ON THESE DRAWINGS.

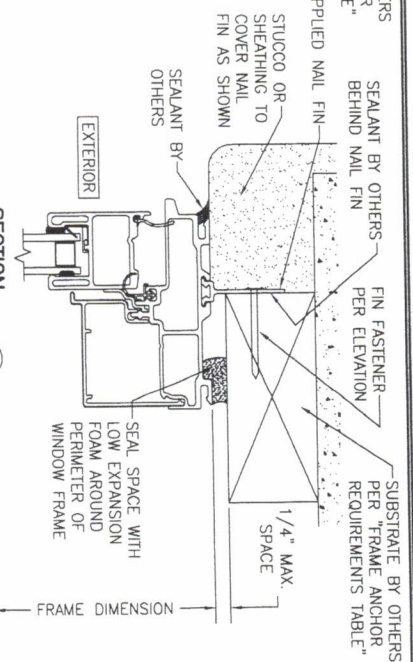
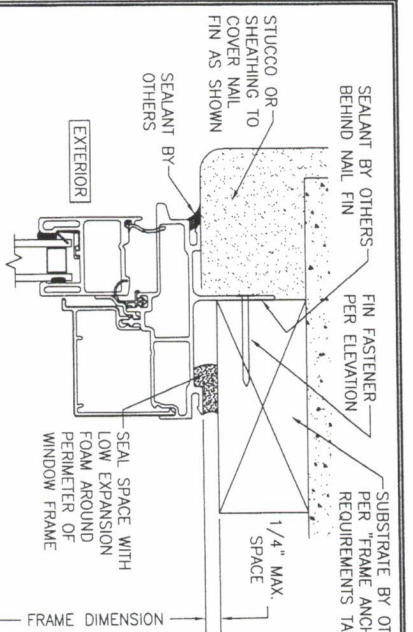
DRAWING NO. 19861 SHEET NO. 1 OF 3	CERTIFICATION WARREN W. SCHAEFER, P.E. P.E. NO. 113497	DRAWING TITLE IMPERVIA MODEL 2 NON-IMPACT AWNING WINDOWS	JOB INFORMATION: PELLA CORPORATION 102 MAIN STREET PELLA, IA 50219 641-621-1000	NO.	REVISION DESCRIPTION	BY	DATE
		CONSULTANTS W. W. SCHAEFER ENGINEERING & CONSULTING, P.A. (REG. NO. F-14980) 7480 150TH COURT NORTH PALM BEACH GARDENS, FL 33418 PHONE: 561-744-3424		PROJ. NO. 118	CHECKED BY: M.W.S.	DATE: 11/1/20	



**EXTERIOR ELEVATION:
SINGLE WINDOW**
SCALE: 3/4" = 1'-0"
(FRAME SCREW & CLIP MOUNT CONDITION)

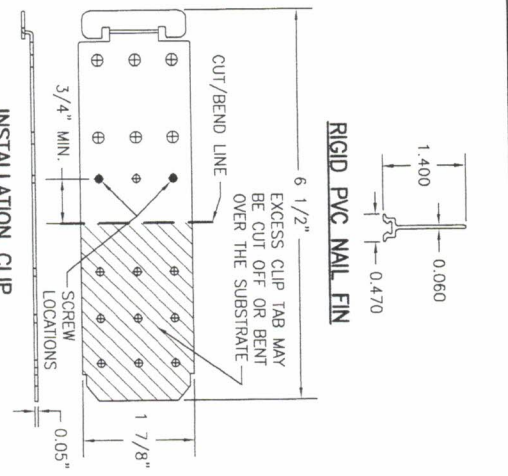


DRAWING NO. 1986T	SHEET NO. 2 OF 3	CERTIFICATION	DRAWING TITLE	JOB INFORMATION:				PROJECT M.S.	CHECKED BY M.S.
		WARREN W. SCHAEFER, P.E. P.E. NO. 113497	IMPERVIA MODEL 2 NON-IMPACT AWNING WINDOWS	CONSULTANTS	PELLA CORPORATION 102 MAIN STREET PELLA, IA 50219 641-621-1000				



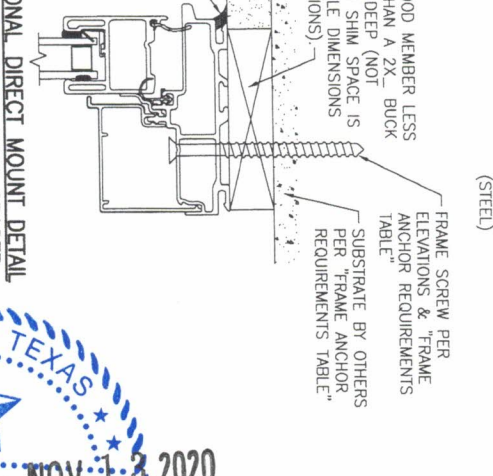
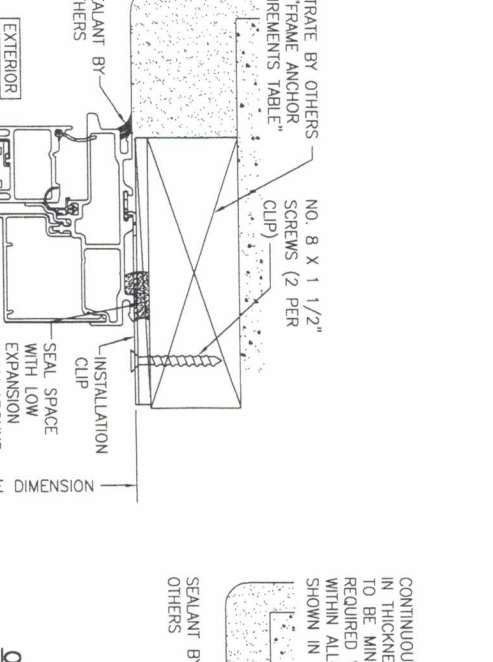
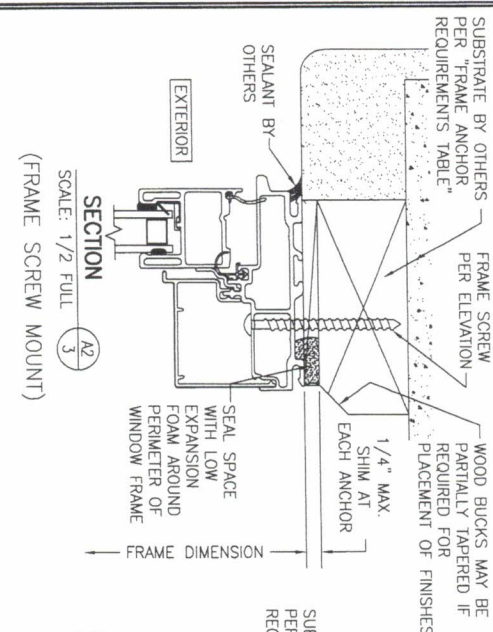
SECTION A1
SCALE: 1/2 FULL
(INTEGRAL NAIL FIN MOUNT)

SECTION A1
SCALE: 1/2 FULL
(APPLIED NAIL FIN MOUNT)



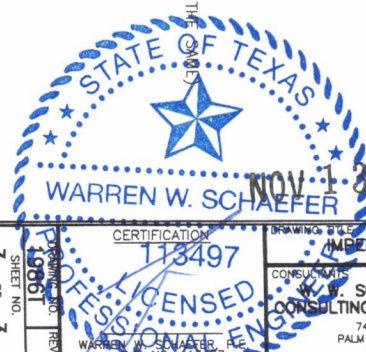
INSTALLATION CLIP (STEEL)

NO.	REVISION	DESCRIPTION	BY	DATE
1-2				



SECTION A2
SCALE: 1/2 FULL
(FRAME SCREW MOUNT)

SECTION A3
SCALE: 1/2 FULL
(INSTALLATION CLIP MOUNT)



DRAWING NO. 1986T SHEET NO. 3 OF 3	CERTIFICATION 178497	DRAWINGS BY WARREN W. SCHAEFER	PROJECT NO. 1986T
	CONSULTANT WARREN W. SCHAEFER ENGINEERING & CONSULTING, P.A. (REG. NO. F-14980) 7480 150TH COURT NORTH PALM BEACH GARDENS, FL 33418 PHONE: 561-744-3424	JOB INFORMATION: PELLA CORPORATION 102 MAIN STREET PELLA, IA 50219 641-621-1000	PROJECT BY PELLA