

GENERAL NOTES:

1. ALL FASTENERS SHALL BE IN ACCORDANCE WITH THESE DRAWINGS. SPECIFIED ANCHOR EMBED TO BASE MATERIAL SHALL BE BEYOND WALL FINISH OR STUCCO.
2. OPENINGS, BUCKING & BUCKING FASTENERS MUST BE PROPERLY DESIGNED & INSTALLED TO TRANSFER WIND LOADS TO THE STRUCTURE.
3. THESE DRAWINGS AND PRODUCT INSTALLATIONS ARE IN ACCORDANCE WITH AND MEET THE REQUIREMENTS OF THE 2015 INTERNATIONAL BUILDING CODE (IBC).
4. ALL ANCHORS SECURING PRODUCT FRAME TO PRESSURE TREATED BUCKS OR WOOD FRAMING SHALL BE CAPABLE OF RESISTING CORROSION CAUSED BY THE PRESSURE TREATING CHEMICALS IN THE WOOD.
5. TO THE BEST OF OUR KNOWLEDGE, THE PRODUCT SHOWN HEREIN IS CERTIFIED & QUALITY ASSURED BY A NATIONALLY ACCREDITED CERTIFICATION/OA ENTITY & SHALL BE LABELED IN ACCORDANCE WITH CERTIFICATION/OA ENTITY'S SPECIFICATIONS. PRODUCT ASSEMBLY IS NOT PART OF THIS DRAWING AND SHALL BE IN ACCORDANCE WITH THE MANUFACTURER'S QUALITY ASSURANCE SPECIFICATIONS & TESTING REPORTS.
6. CERTIFICATION OF THESE PRODUCT INSTALLATIONS SHALL BE CONSIDERED VOID IF ANY OF THE FOLLOWING APPLY:
 - 1) THEY ARE INSTALLED WITHOUT A LICENSED CONTRACTOR EXPERIENCED WITH WINDOW/DOOR INSTALLATIONS.
 - 2) IF THEY ARE INSTALLED BY ANYONE OTHER THAN A LICENSED CONTRACTOR EXPERIENCED WITH WINDOW/DOOR INSTALLATIONS.
 - 3) IF CHANGES HAVE OCCURRED OR INCONSISTENT WITH WHAT HAS BEEN TESTED INSTALLED PRODUCT INSTALLATIONS.
 - 4) IF THE PRODUCT IS NOT IDENTIFIED EITHER IN THIS DRAWING OR IN THE PRODUCT'S CERTIFICATION SHALL BE THE BASIS FOR THE INSTALLED PRODUCT.
 5. THESE DRAWINGS CERTIFY THE PRODUCT INSTALLATION ONLY. WATER PROOFING OF THE INSTALLED PRODUCT IS NOT PART OF THIS INSTALLATION CERTIFICATION. THAT RESPONSIBILITY SHALL BE THAT OF THE MANUFACTURER &/OR INSTALLER.

INSTALLATION EVALUATION IS BASED ON APPLICABLE ANCHOR STANDARDS AND/OR INFORMATION & RESULTS FROM APPLICABLE TEST REPORTS. THE BUILDING CODE VERSION CONSIDERED WITH THE EVALUATION WAS THAT IN FORCE AT THE TIME OF THE EVALUATION. IN THE EVENT OF CODE VERSION CHANGES/UPDATES OR IN THE EVENT THAT NEW OR ADDITIONAL TESTING IS COMPLETED ON THE REFERENCED PRODUCT, PRIOR TO STATING CODE COMPLIANCE, THE MANUFACTURER SHALL CONFIRM WITH THE INSTALLATION ENGINEER OF RECORD THAT THE INSTALLATIONS SPECIFIED HERE-IN ARE CURRENT WITH THE THEN CURRENT TESTING, CODE AND APPLICABLE STANDARDS.

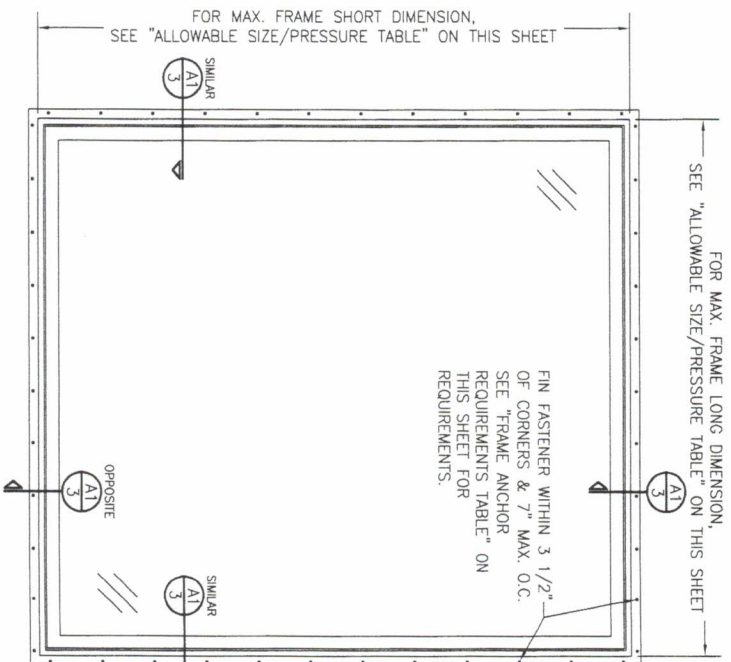
FRAME ANCHOR REQUIREMENTS TABLE

OPENING TYPE (SUBSTRATE)	FRAME/CLIP/NAIL FIN TO OPENING FASTENER TYPE	MINIMUM EMBED	MINIMUM EDGE DIST.
FRAME SCREWS			
MIN. 2X4 WOOD FRAME OR BUCK (MIN. GR. 3 & G=0.55)	NO. 10 SMS OR WOOD SCREW	1 1/4"	3/4"
MIN. 18 GA. 33 KSI METAL STUD	NO. 10 GR. 5 SELF TAP/DRILL SCREW	FULL	1/2"
MIN. 1/8" THK A36 STEEL	NO. 10 GR. 5 SELF TAP/DRILL SCREW	FULL	1/2"
MIN. 1/8" THK 6063-T5 ALUM.	NO. 10 GR. 5 SELF TAP/DRILL SCREW	FULL	1/2"
MIN. C-90 CMU OR 2500 PSI CONCRETE	(1) 1/4" CONCRETE SCREW	1 1/4"	2"
INSTALLATION CLIP SCREWS			
(3) MIN. 2X6 WOOD FRAME OR BUCK (MIN. GR. 3 & G=0.55)	NO. 8 SMS SCREW	1 1/8"	3/4"
MIN. 18 GA. 33 KSI METAL STUD	NO. 8 GR. 5 SELF TAP/DRILL SCREW	FULL	1/2"
MIN. 1/8" THK A36 STEEL	NO. 8 GR. 5 SELF TAP/DRILL SCREW	FULL	1/2"
MIN. 1/8" THK 6063-T5 ALUM.	NO. 8 GR. 5 SELF TAP/DRILL SCREW	FULL	1/2"
(2) NAILING FIN FASTENERS			
MIN. 2X4 WOOD FRAME OR BUCK (MIN. GR. 3 & G=0.55)	NO. 8 SMS SCREW	1 3/8"	1/2"
MIN. 2X4 WOOD FRAME OR BUCK (MIN. GR. 3 & G=0.55)	11 GA. ROOFING NAIL	1 5/8"	1/2"
MIN. 1/8" THK A36 STEEL	NO. 8 GR. 5 SELF TAP/DRILL SCREW	FULL	1/2"
MIN. 1/8" THK 6063-T5 ALUM.	NO. 8 GR. 5 SELF TAP/DRILL SCREW	FULL	1/2"

ALLOWABLE SINGLE WINDOW SIZE/PRESSURE TABLE

MAXIMUM FRAME SHORT DIMENSION (IN.)	MAXIMUM FRAME LONG DIMENSION (IN.)	ALLOWABLE PRESSURE (+/- PSF)
71 1/2	79 1/2	+/-45
59 1/2	79 1/2	+/-50
59 1/2	59 1/2	+50/-60

CONDITIONS SHOWN IN THIS DRAWING & THIS TABLE ARE GOVERNED BY INSTALLATION REQUIREMENTS ONLY. THE GOVERNING CONDITIONS ON ANY SPECIFIC WINDOW UNIT SHALL BE THE LESSER OF THOSE SPECIFIED IN THE WINDOWS TDI APPROVAL OR THAT SHOWN IN THESE DRAWINGS.



EXTERIOR ELEVATION: SINGLE WINDOW
SCALE: 3/4" = 1'-0"
(NAIL FIN MOUNT CONDITION)

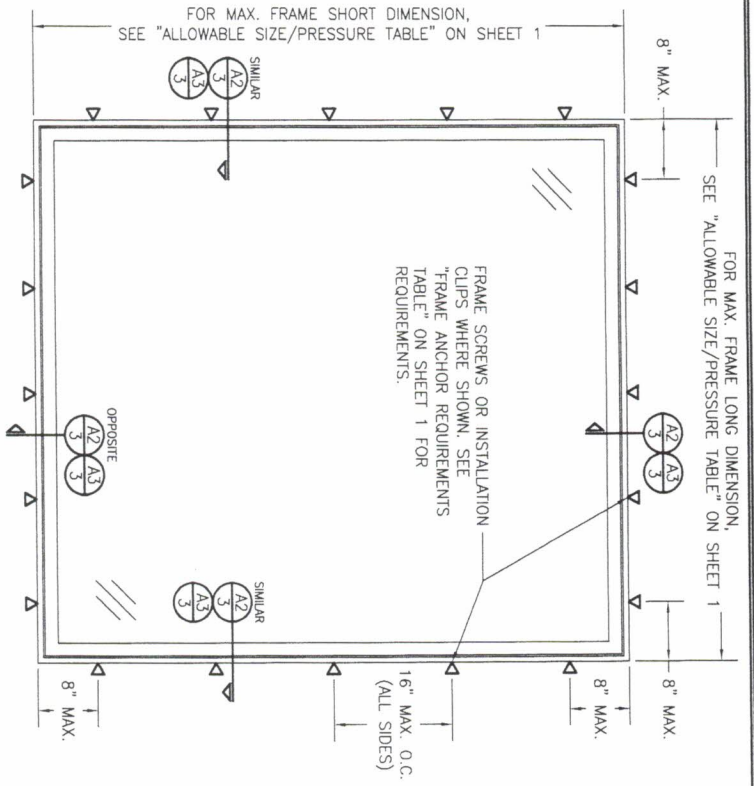
ANCHOR/SUBSTRATE EVALUATION NOTE:
ALL ANCHORS IN THEIR SPECIFIED SUBSTRATES HAVE BEEN ANALYZED IN ACCORDANCE WITH THEIR APPLICABLE STANDARD(S) AND ARE FOUND TO BE CAPABLE OF SUPPORTING ALL LOADS IMPOSED ON THEM UNDER THE GUIDELINES OF THIS DOCUMENT. ANY SUBSTRATES OR CONDITIONS OUTSIDE OF WHAT IS SHOWN HERE-IN SHALL BE SUBJECT TO JOB SPECIFIC ENGINEER'S REVIEW & CERTIFICATION.

INSTALLATION NOTE:
WHEN NECESSARY, INSTALLATION METHODS MAY BE MIXED WITH ANY ONE WINDOW SUCH THAT INDIVIDUAL SIDES OF THE WINDOW MAY USE ONE OR THE OTHER ANCHOR METHOD (EXAMPLE: SILL MAY USE FRAME SCREWS METHOD WHILE OTHER SIDES USE FIN)

THESE DRAWINGS ARE APPLICABLE ONLY TO THE PRODUCT SPECIFIED. THEY MAY NOT BE USED FOR THE ASSEMBLY AND/OR INSTALLATION OF ANY OTHER PRODUCT NOR MAY THEY BE PRODUCED, REPRODUCED, COPIED, OR OTHERWISE USED IN THESE DRAWINGS.

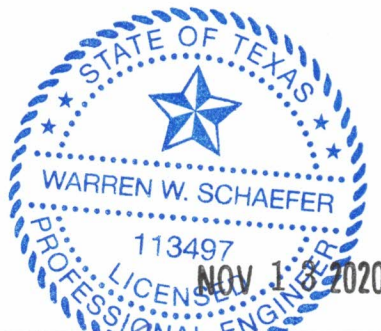


DRAWING NO. 19881 SHEET NO. 1 OF 3	IMPERVA MODEL 2 NON-IMPACT FIXED CASEMENT WINDOWS WARREN W. SCHAEFER ENGINEERING & CONSULTING, P.A. (REG. NO. F-14980) 7480 150TH COURT NORTH PALM BEACH GARDENS, FL 33418 PHONE: 561-744-3424	JOB INFORMATION: PELLA CORPORATION 102 MAIN STREET PELLA, IA 50219 641-621-1000	REVISIONS TABLE: NO. REVISION DESCRIPTION BY DATE	DRAWN BY: M.W.S. CHECKED BY: M.W.S. DATE: 11/17/20
---------------------------------------	--	---	--	--

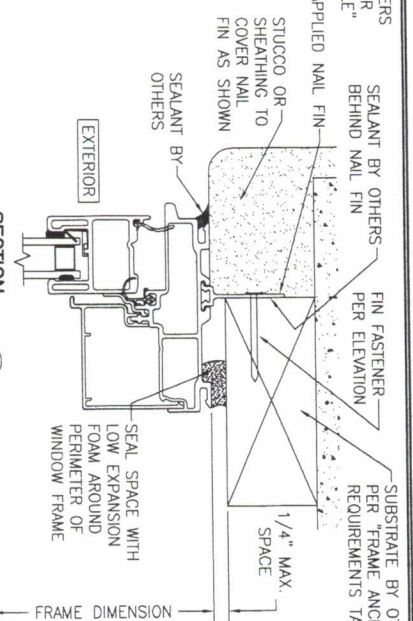
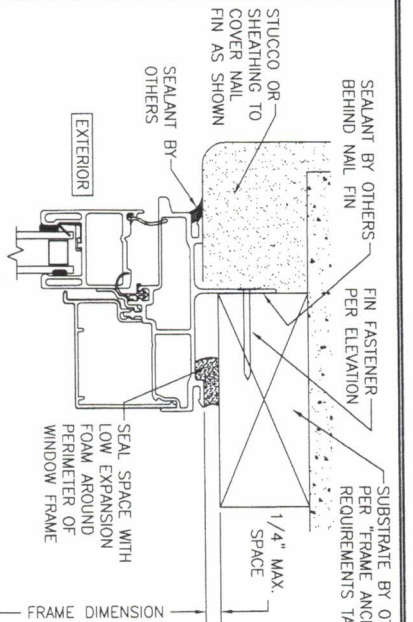


ALLOWABLE SINGLE WINDOW SIZE/PRESSURE TABLE
SEE TABLE ON SHEET 1

EXTERIOR ELEVATION: SINGLE WINDOW
SCALE: 3/4" = 1'-0"
(FRAME SCREW & CLIP MOUNT CONDITION)

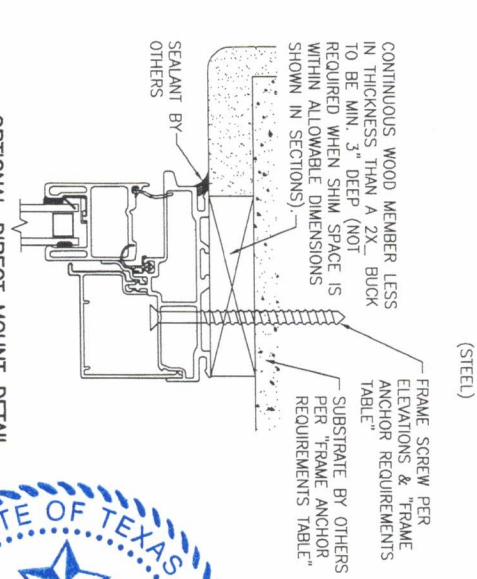
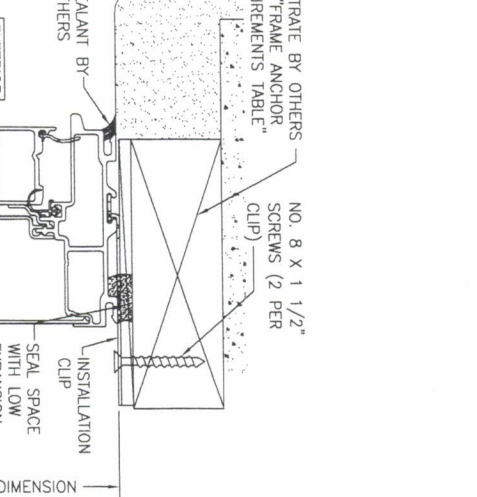
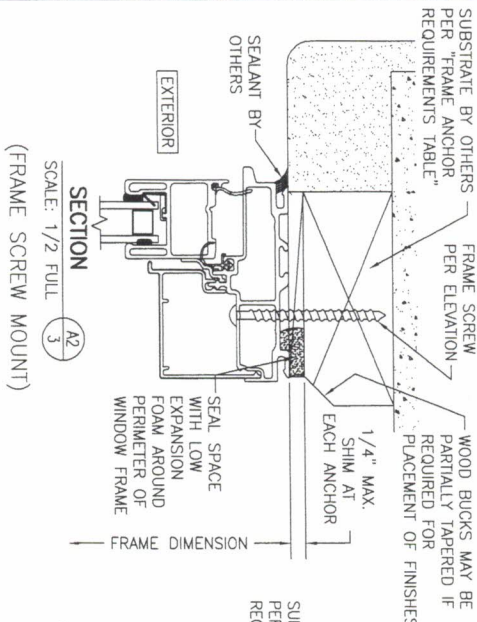
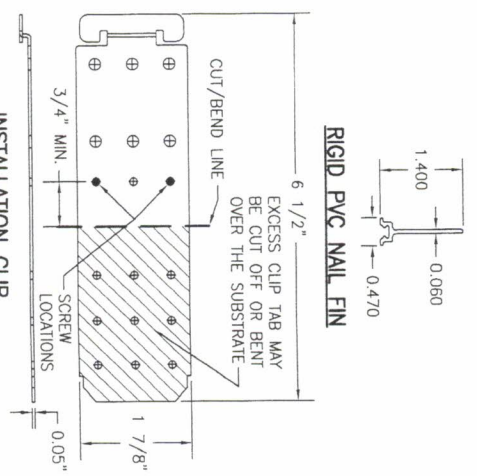


DRAWING NO. 19881	SHEET NO. 2 OF 3	CERTIFICATION	DRAWING TITLE	NO. REVISION DESCRIPTION BY DATE				PROJECT NO.	CHECKED BY
		WARREN W. SCHAEFER, P.E. P.E. NO. 113497	IMPERVIA MODEL 2 NON-IMPACT FIXED CASEMENT WINDOWS	DATE	BY	DESCRIPTION	REVISION NO.	11/11/20	
		CONSULTANTS	JOB INFORMATION:	PELLA CORPORATION					
		W. W. SCHAEFER ENGINEERING & CONSULTING, P.A. (REG. NO. F-14980)		102 MAIN STREET					
		7480 150TH COURT NORTH PALM BEACH GARDENS, FL 33418 PHONE: 561-744-3424		PELLA, IA 50219					
				641-621-1000					



SECTION A1
SCALE: 1/2 FULL
(INTEGRAL NAIL FIN MOUNT)

SECTION A1
SCALE: 1/2 FULL
(APPLIED NAIL FIN MOUNT)



SECTION A2
SCALE: 1/2 FULL
(FRAME SCREW MOUNT)

SECTION A3
SCALE: 1/2 FULL
(INSTALLATION CLIP MOUNT)

OPTIONAL DIRECT MOUNT DETAIL TO SUBSTRATE WITH SPACER
(HEAD SECTION SHOWN, SILL & SIDES ARE INSTALLED THE SAME)

WARREN W. SCHAEFER
STATE OF TEXAS
PROFESSIONAL ENGINEER
NOV 13 2020

NO.	REVISION	DESCRIPTION	BY	DATE

DRAWING NO. 19881	DRAWING TITLE IMPERVIA MODEL 2 NON-IMPACT FIXED CASEMENT WINDOWS	JOB INFORMATION: PELLA CORPORATION 102 MAIN STREET PELLA, IA 50219 641-621-1000
SHEET NO. 3 OF 3	WARREN W. SCHAEFER P.E. NO. 113487	W. W. SCHAEFER ENGINEERING & CONSULTING, P.A. (REG. NO. F-14980) 745 SOUTH COURT NORTH DALLAS BEACON GARDENS, FL 33418 PHONE: 561-744-3424