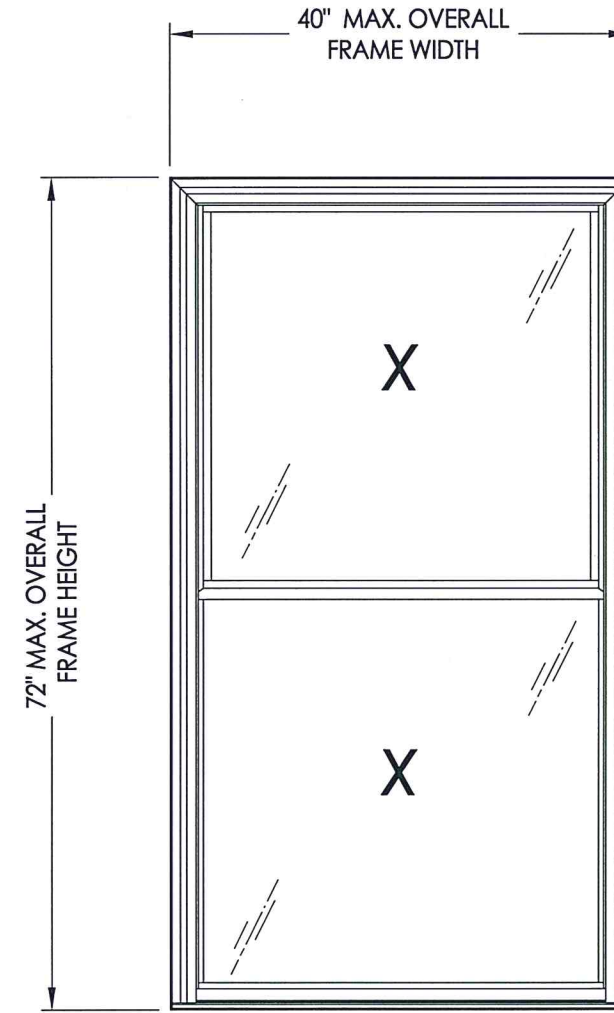




8450 Double Hung Window

"IMPACT"



EVALUATED FOR USE IN THE STATE OF TEXAS

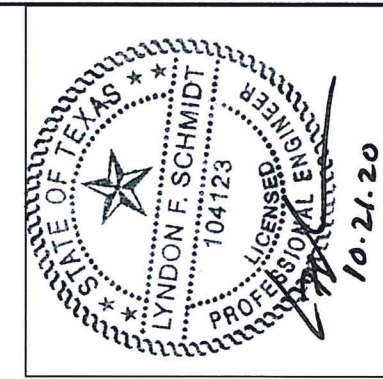
The Double Hung Window described herein complies with the 2018 International Residential Code (IRC), Sections R301 & R609 and the 2018 International Building Code (IBC), Sections 1404.13, 1609, 1709.5, 2403 and 2404 subject to the following conditions:

1. Anchors shall be as listed and spaced as shown in the details. Anchor embedment to base material shall be beyond roof covering.
2. When used in areas requiring wind-borne debris protection, this product complies with Section R301.2.1.2 of the IRC and Section 1609.2 of the IBC and does not require impact protection. This product meets missile level "D" and includes Wind Zone 3 as defined in ASTM E 1996.
3. Allowable design pressure requirements must be equal to or less than the design pressure rating shown in the design pressure chart, sheet 1 of this drawing.
4. Conditions not covered by this drawing are subject to further engineering analysis.

TABLE OF CONTENTS

SHEET#	DESCRIPTION
1	Typical elevations, design pressures & general notes
2	Vertical & horizontal cross sections & frame anchoring
3	Components
4	Bill of materials and glazing details

MAX FRAME DIMENSION	MAX D.L.O. DIMENSION	GLASS TYPE	DESIGN PRESSURE (PSF)	
			POS.	NEG.
40.0" X 72.0"	34.12" X 32.5"	G1	+60.0	-65.0



Documents Prepared By: Lyndon F. Schmidt, P.E.
TEXAS P.E. #104123

RW BUILDING CONSULTANTS, INC.
P.O. Box 230 Valrico FL, 33595
Phone No.: 813.659.9197

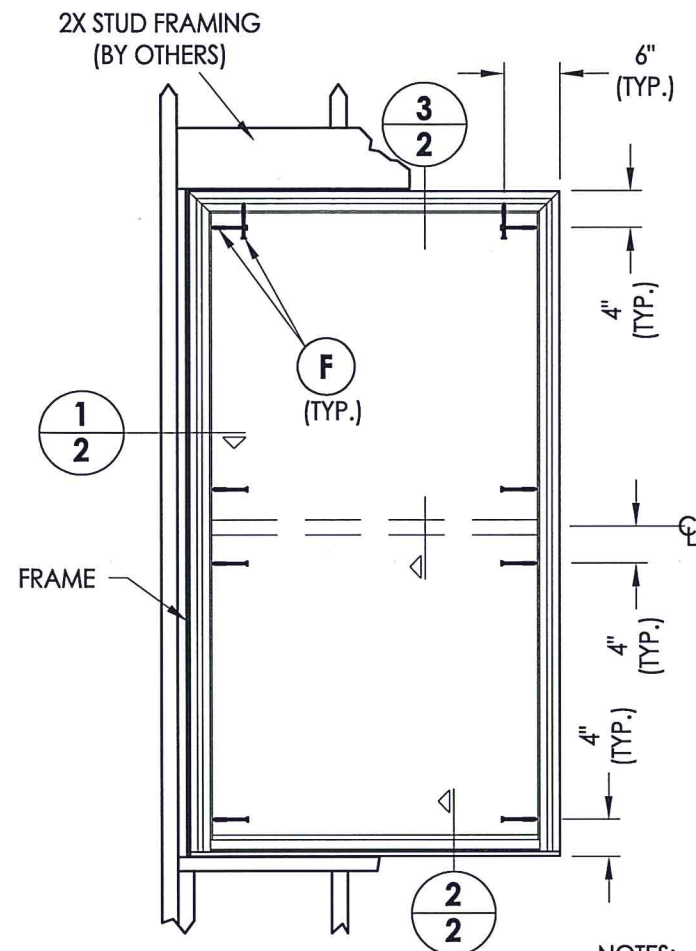
TEXAS BOARD OF PROFESSIONAL ENGINEERS
CERTIFICATE OF REGISTRATION # F-11852

PRODUCT: DOUBLE HUNG WINDOW
PART OR ASSEMBLY: TYPICAL ELEVATION, DESIGN PRESSURES & GENERAL NOTES

NO.	DATE	BY	REVISIONS

DATE: 4/30/20
SCALE: N.T.S.
DWG. BY: RW
CHK. BY: LFS
DRAWING NO.: TX-5035
SHEET 1 OF 4

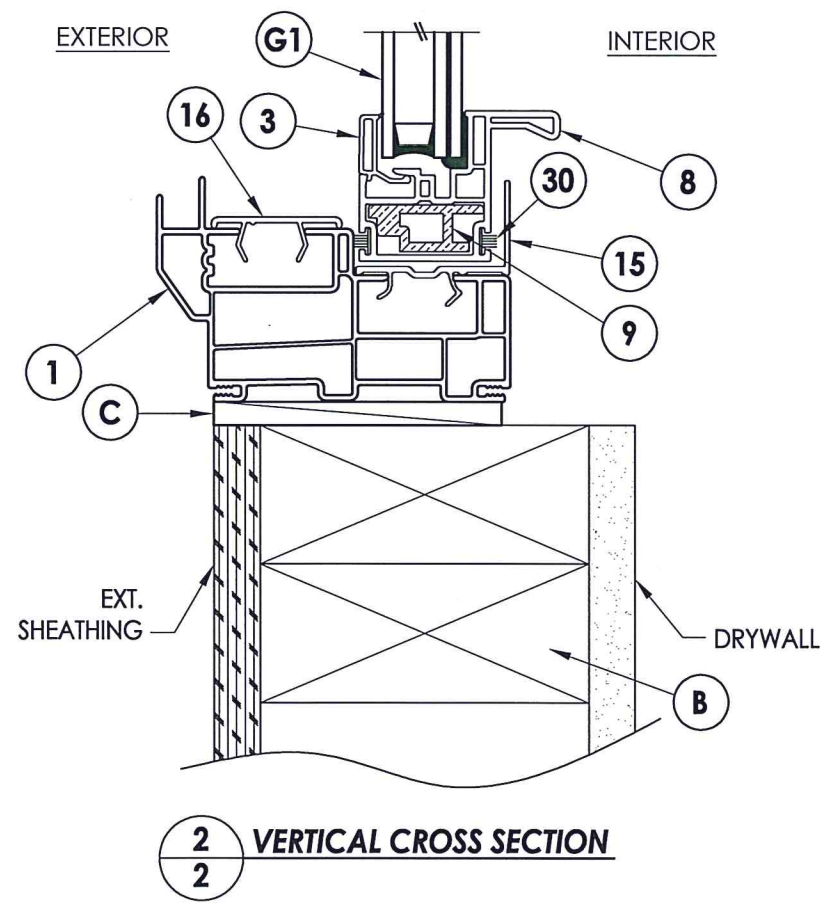
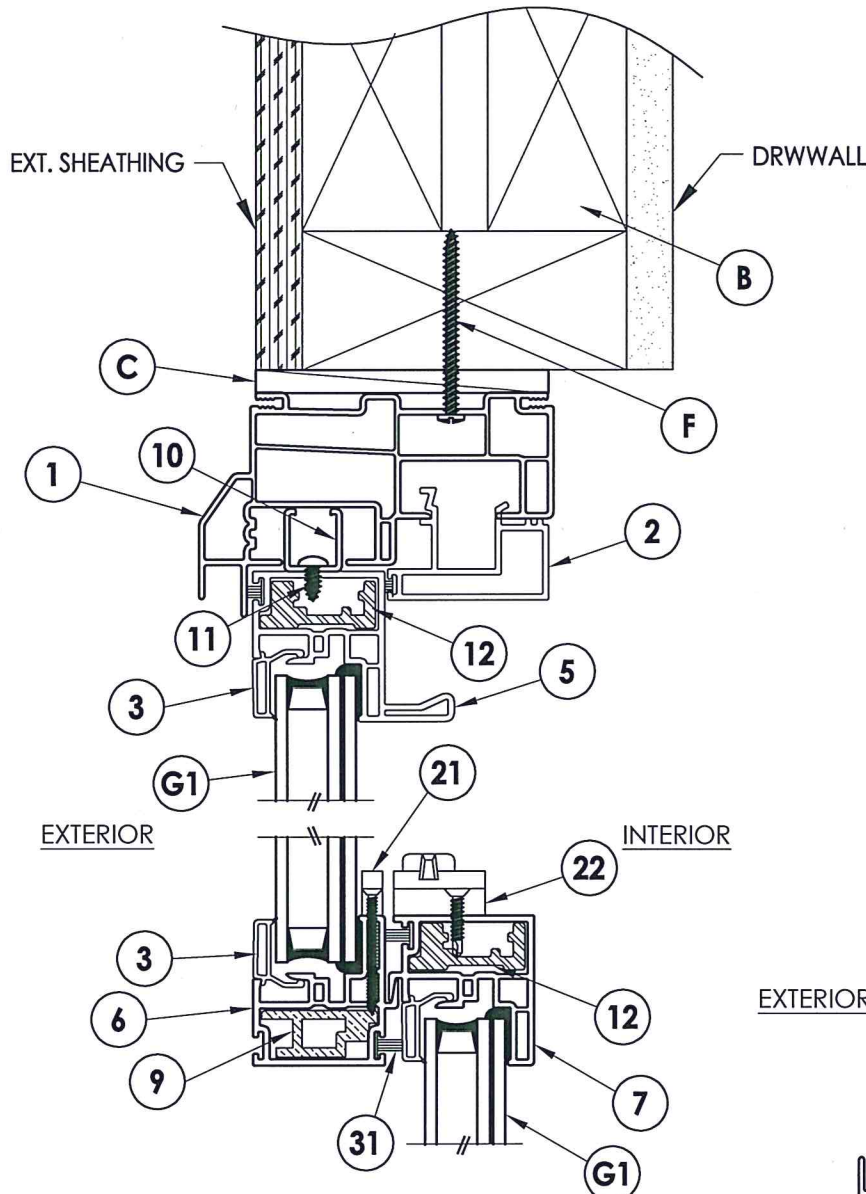
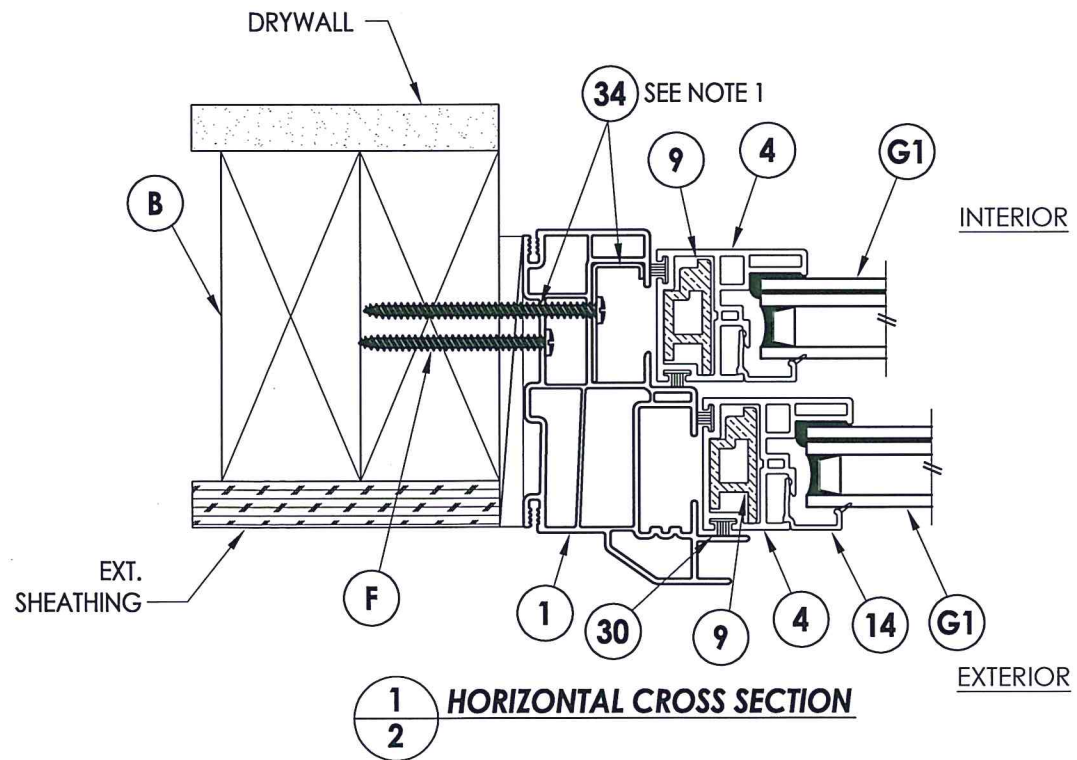
R:\Clients\New South Windows PERMANENT\B - Texas Dept of Ins\TDI - XXX 8450 DH\Drawings\TX-5035.dwg, 2



FRAME ANCHORING

NOTES:

1. JAMB REINFORCEMENT CLIP, ITEM #34, LOCATED AT THE BOTTOM SASH TILT LATCH ON EACH JAMB AND SECURED WITH ONE #8 X 2-1/2" PH SMS.
2. LOCK AND KEEPER LOCATED 7" FROM EACH END OF LOCK/MEETING RAIL.

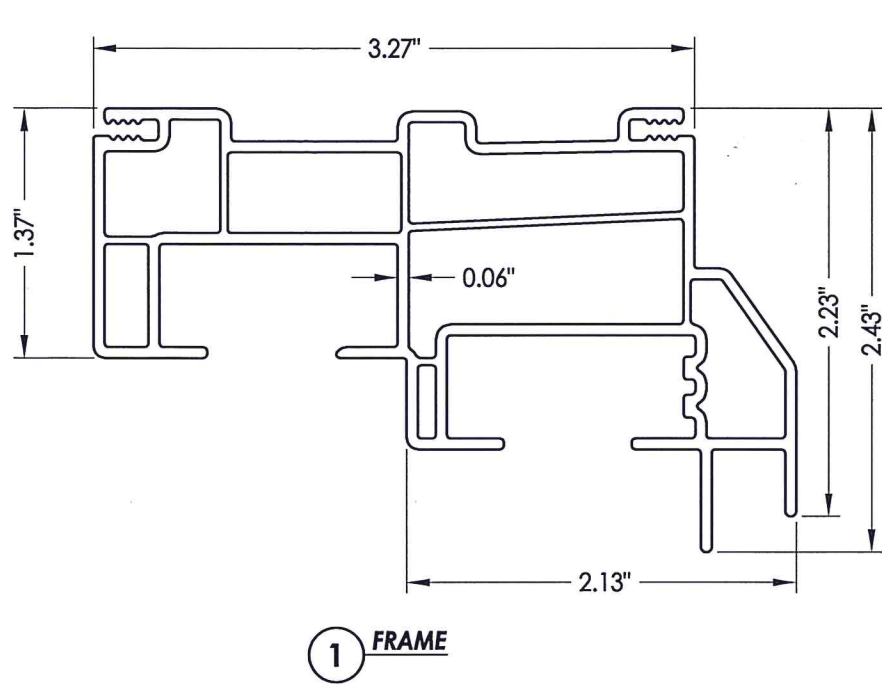


Documents Prepared By: Lyndon F. Schmidt, P.E.
TEXAS P.E. #104123

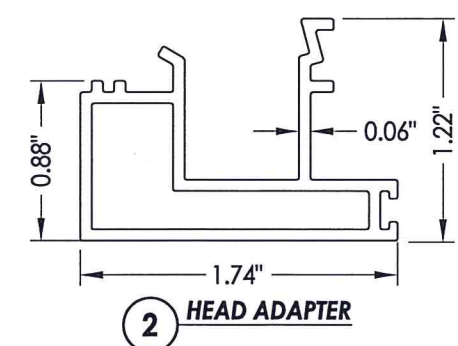
RW BUILDING CONSULTANTS, INC.
P.O. Box 230 Valrico FL 33595
Phone No.: 813.659.9197

TEXAS BOARD OF PROFESSIONAL ENGINEERS
CERTIFICATE OF REGISTRATION # F-11852

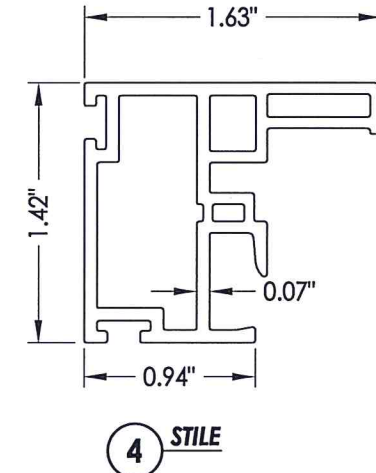
PRODUCT: DOUBLE HUNG WINDOW	
PART OR ASSEMBLY: VERTICAL & HORIZONTAL CROSS SECTIONS & FRAME ANCHORING	
NO.	DATE
BY	REVISIONS
DATE: 4/30/20	
SCALE: N.T.S.	
DWG. BY: RW	
CHK. BY: LFS	
DRAWING NO.: TX-5035	
SHEET 2 OF 4	



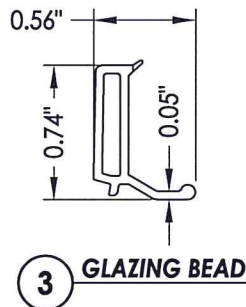
1 FRAME



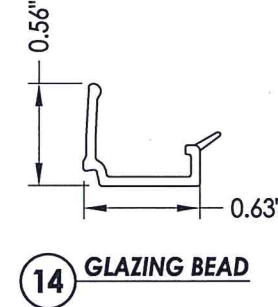
2 HEAD ADAPTER



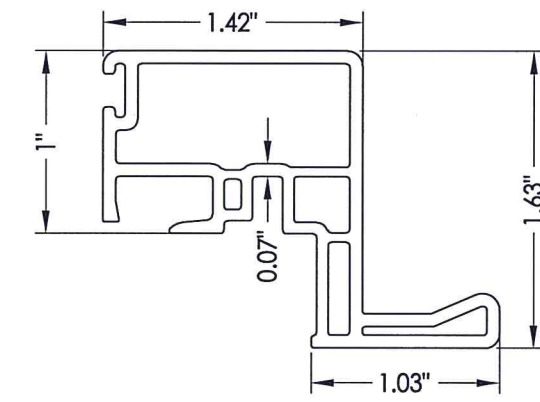
4 STILE



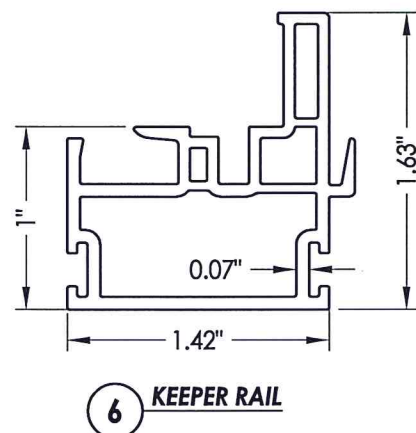
3 GLAZING BEAD



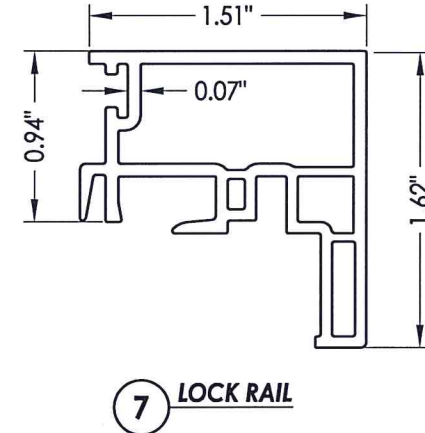
14 GLAZING BEAD



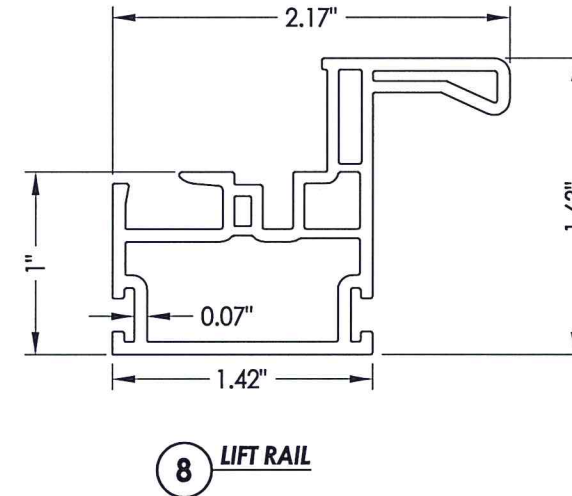
5 PULL RAIL



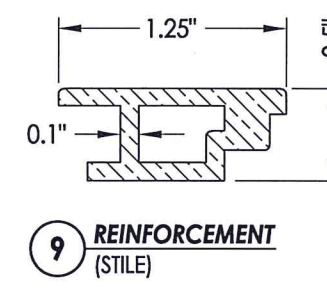
6 KEEPER RAIL



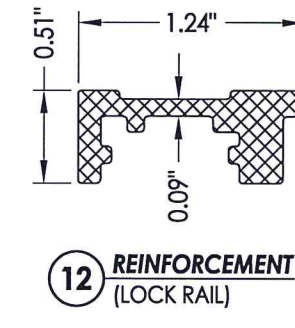
7 LOCK RAIL



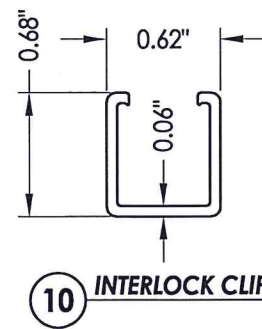
8 LIFT RAIL



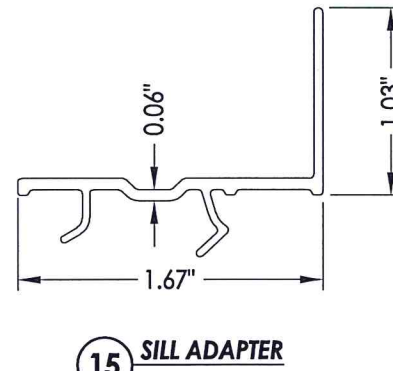
9 REINFORCEMENT (STILE)



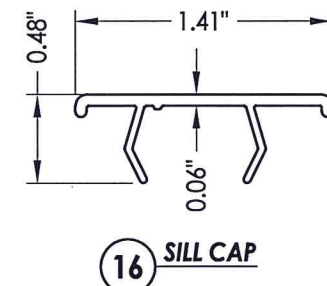
12 REINFORCEMENT (LOCK RAIL)



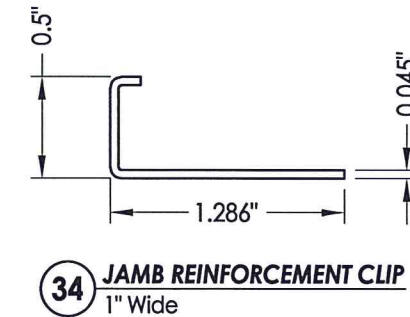
10 INTERLOCK CLIP



15 SILL ADAPTER



16 SILL CAP



34 JAMB REINFORCEMENT CLIP 1\"/>



Documents Prepared By: Lyndon F. Schmidt, P.E.
TEXAS P.E. #104123

RW BUILDING CONSULTANTS, INC.
P.O. Box 230 Vairico FL 33595
Phone No.: 813.659.9197

TEXAS BOARD OF PROFESSIONAL ENGINEERS
CERTIFICATE OF REGISTRATION # F-11852

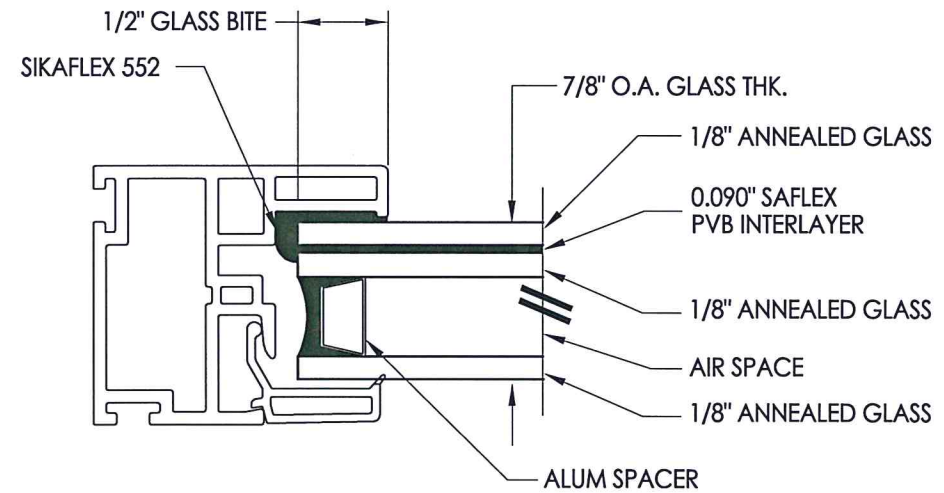
PRODUCT:	DOUBLE HUNG WINDOW
PART OR ASSEMBLY:	COMPONENTS

NO.	DATE	BY

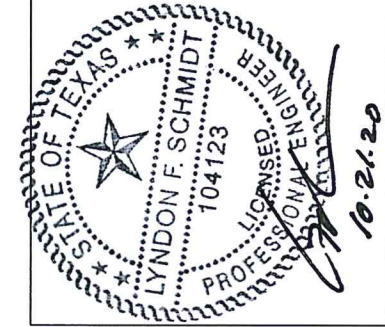
DATE:	4/30/20
SCALE:	N.T.S.
DWG. BY:	RW
CHK. BY:	LFS
DRAWING NO.:	TX-5035
SHEET	3 OF 4

BILL OF MATERIALS		
ITEM #	DESCRIPTION	MATERIAL
B	2X FRAMING (SG >= 0.42)	WOOD
C	1/4" MAX. SHIM SPACE	STEEL
F	#8 X 2" PFH WS (1-1/2" MIN. EMBEDMENT)	STEEL
1	FRAME*	PVC
2	HEAD ADAPTER*	PVC
3	GLAZING BEAD*	PVC
4	STILE *	PVC
5	PULL RAIL (TOP SASH)*	PVC
6	KEEPER RAIL (TOP SASH)*	PVC
7	LOCK RAIL (BOTTOM SASH)*	PVC
8	LIFT RAIL (BOTTOM SASH)*	PVC
9	REINFORCEMENT (6065-T5 ALUM)	ALUM
10	INTERLOCK CLIP	STEEL
11	#6 X 1/2" PPH SMS	STEEL
12	REINFORCEMENT (6065-T5 ALUM)	ALUM
14	GLAZING BEAD*	PVC
15	SILL ADAPTER*	PVC
16	SILL CAP*	PVC
21	KEEPER - TRUTH #C41275	-
22	LOCK ASSEMBLY - TRUTH #A30700401	-
30	CENTER FIN PILE (0.187" X 0.190")	-
31	CENTER FIN PILE (0.270" X 0.220")	-
34	JAMB REINFORCEMENT CLIP #970	STEEL

* THE APPROVED WHITE RIGID PVC EXTERIOR EXTRUSIONS FOR WINDOWS ARE TO BE PRODUCED BY EXTRUDERS LICENSEES IN "CERTIFICATION PROGRAMS FOR RIGID PVC EXTRUSIONS".



G1 GLAZING DETAIL



Documents Prepared By: Lyndon F. Schmidt, P.E.
TEXAS P.E. #104123

RW BUILDING CONSULTANTS, INC.
P.O. Box 230 Valrico FL 33595
Phone No.: 813.659.9197
TEXAS BOARD OF PROFESSIONAL ENGINEERS
CERTIFICATE OF REGISTRATION # F-11852

PRODUCT: DOUBLE HUNG WINDOW
PART OR ASSEMBLY: BILL OF MATERIALS AND GLAZING DETAILS

NO.	DATE	BY	REVISIONS

DATE: 4/30/20
SCALE: N.T.S.
DWG. BY: RW
CHK. BY: LFS
DRAWING NO.: TX-5035
SHEET 4 OF 4