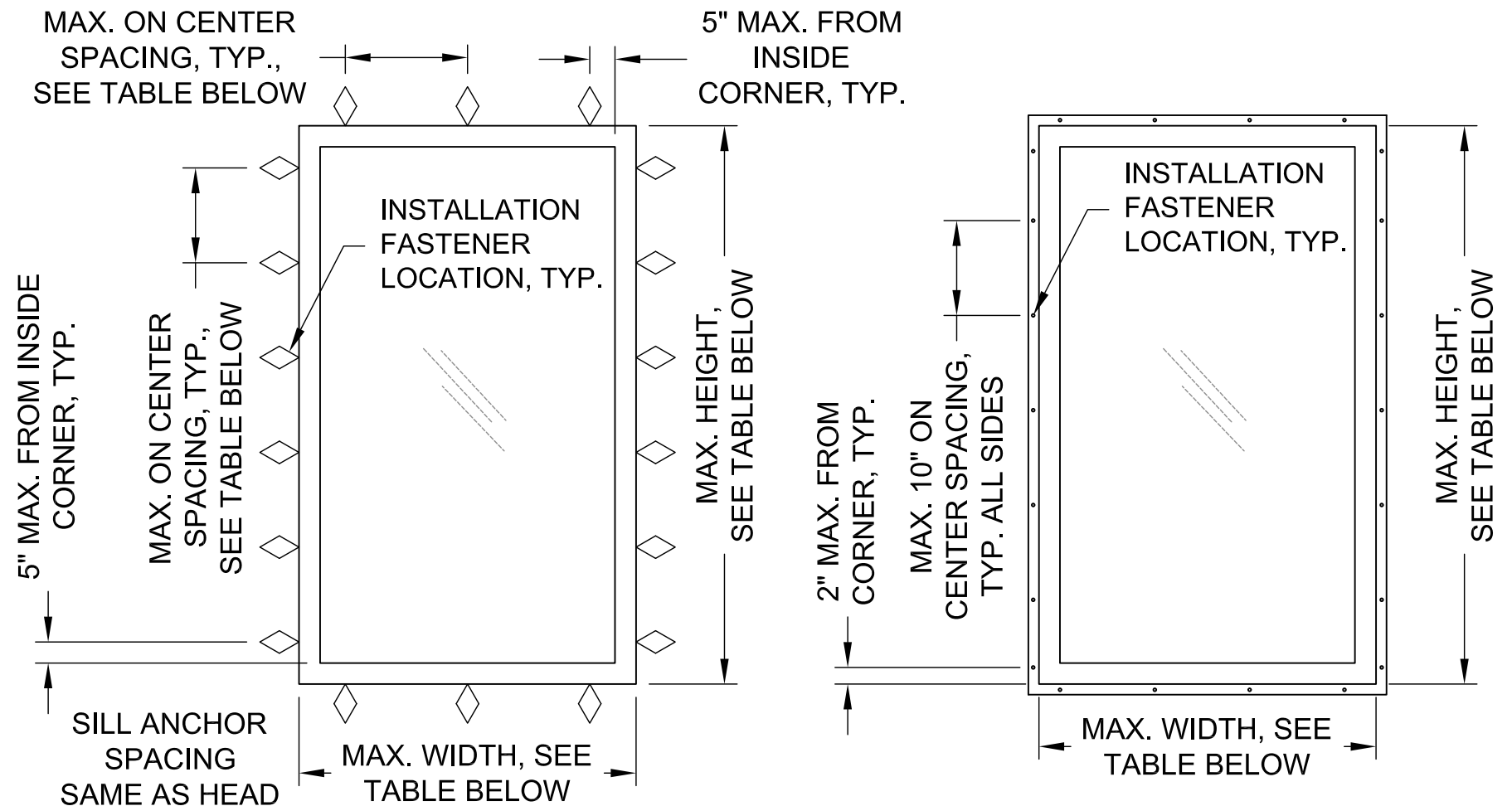


GENERAL NOTES

1. THE PRODUCT SHOWN HEREIN IS DESIGNED AND MANUFACTURED TO COMPLY WITH THE REQUIREMENTS OF THE 2018 INTERNATIONAL BUILDING CODE AND 2018 INTERNATIONAL RESIDENTIAL CODE.
2. THIS PRODUCT IS NON-IMPACT RESISTANT AND REQUIRES THE USE OF IMPACT PROTECTIVE DEVICES (SHUTTERS) IN WINDBORNE DEBRIS REGIONS.
3. THE DESIGN PRESSURES INDICATED IN THIS DRAWING ARE AS LIMITED BY ASTM E-1300 GLASS TABLES, AND TESTED WATER AND STRUCTURAL PRESSURES.
4. THIS DOCUMENT ADDRESSES PRODUCT ANCHORAGE TO ACHIEVE THE INDICATED DESIGN PRESSURES AT THE INDICATED SIZES, IN THE CONFIGURATION SHOWN IN THE ELEVATIONS. INSTALL PRODUCTS WITH MAXIMUM SHIM GAP, MINIMUM EDGE DISTANCE AND EMBEDMENT, AND WITH FASTENER TYPE AS SHOWN IN THE DETAILS AND AS INDICATED IN TABLE 1. FOR FULL PRODUCT CONSTRUCTION DETAILS SEE INTERTEK TEST REPORT I9139.02-501-44.
5. INSTALLED GLAZING SHALL MEET ASTM E-1300 FOR THE APPLICABLE DESIGN PRESSURES AND WINDOW SIZE.
6. THE 4/3 ALLOWABLE STRESS INCREASE FACTOR (SHORT-TERM INCREASE FACTOR) HAS NOT BEEN USED IN THE ANCHOR ANALYSIS FOR THIS SYSTEM. THE 1.6 Cd FACTOR WAS USED IN THE ANALYSIS OF ANCHORAGE INTO WOOD SUBSTRATE.
7. THE OPENING SUBSTRATE MATERIALS (FRAMING, MASONRY, BUCKS) AND ATTACHMENT OF BUCKS TO THE SUBSTRATE ARE BY OTHERS AND SHALL BE VERIFIED BY THE ARCHITECT OR ENGINEER OF RECORD OR AS APPROVED BY THE AUTHORITY HAVING JURISDICTION (AHJ). BUCKING, OPENINGS, & BUCKING FASTENERS MUST BE PROPERLY DESIGNED & INSTALLED BY OTHERS IN ACCORDANCE WITH THE FBC TO TRANSFER SUPERIMPOSED LOADS TO THE STRUCTURE. WITH MASONRY OPENINGS, WOOD BUCKS ARE OPTIONAL.
8. DISSIMILAR MATERIALS THAT COME INTO CONTACT SHALL BE COATED OR OTHERWISE PROTECTED TO PREVENT GALVANIC REACTIONS. WOOD BUCKS, IF USED, SHALL BE PRESSURE TREATED, WITH EITHER A TREATMENT OR COATING COMPATIBLE WITH THIS PRODUCT.
9. ALL ANCHORS USED SHALL BE OF A MATERIAL OR HAVE A COATING COMPATIBLE WITH THE PRESSURE TREATED WOOD BUCKS AND ALL OTHER WINDOW MATERIALS.
10. ALL HARDWARE & FASTENERS SHALL BE IN ACCORDANCE WITH THESE DRAWINGS, OR AS APPROVED, SIGNED, AND SEALED BY A TEXAS REGISTERED PROFESSIONAL ENGINEER ON A SITE-SPECIFIC BASIS.
11. SEALING AND FLASHING STRATEGIES FOR OVERALL WATER INFILTRATION RESISTANCE OF THE INSTALLED PRODUCT SHALL BE THE RESPONSIBILITY OF OTHERS AND ARE NOT ADDRESSED BY THIS DOCUMENT.
12. FOR ADDITIONAL REQUIREMENTS SEE GENERAL ANCHOR NOTES, SHEET 3.
13. WIDTH AND HEIGHT AS SHOWN IN THE ELEVATIONS MAY BE TRANSPOSED; IF SO THEN 21" MAX. ON CENTER ANCHOR SPACING APPLIES TO THE JAMB AND THE SMALLER ANCHOR SPACING APPLIES TO THE HEAD/SILL.

INSPIRA CASEMENT PICTURE WINDOW, NON-IMPACT



**REPLACEMENT ELEVATION
SEE DETAILS SHEET 2**

**NEW CONSTRUCTION ELEVATION
SEE DETAILS SHEET 3**

FRAME TYPE	MAX. SIZE *	DESIGN PRESSURE RATING	REPLACEMENT MAX. O.C. SPACING
NEW CONSTR.	72" X 72"	+30/-30 PSF	-
REPLACEMENT	72" X 72"	+60/-60 PSF	7"
REPLACEMENT	42" X 72"	+60/-60 PSF	12"
NEW CONSTR.	60" X 60"	+40/-40 PSF	-
REPLACEMENT	60" X 60"	+55/-55 PSF	9-1/4"
REPLACEMENT	46" X 60"	+55/-55 PSF	12"

* NOTE: WIDTH AND HEIGHT MAY BE SWAPPED

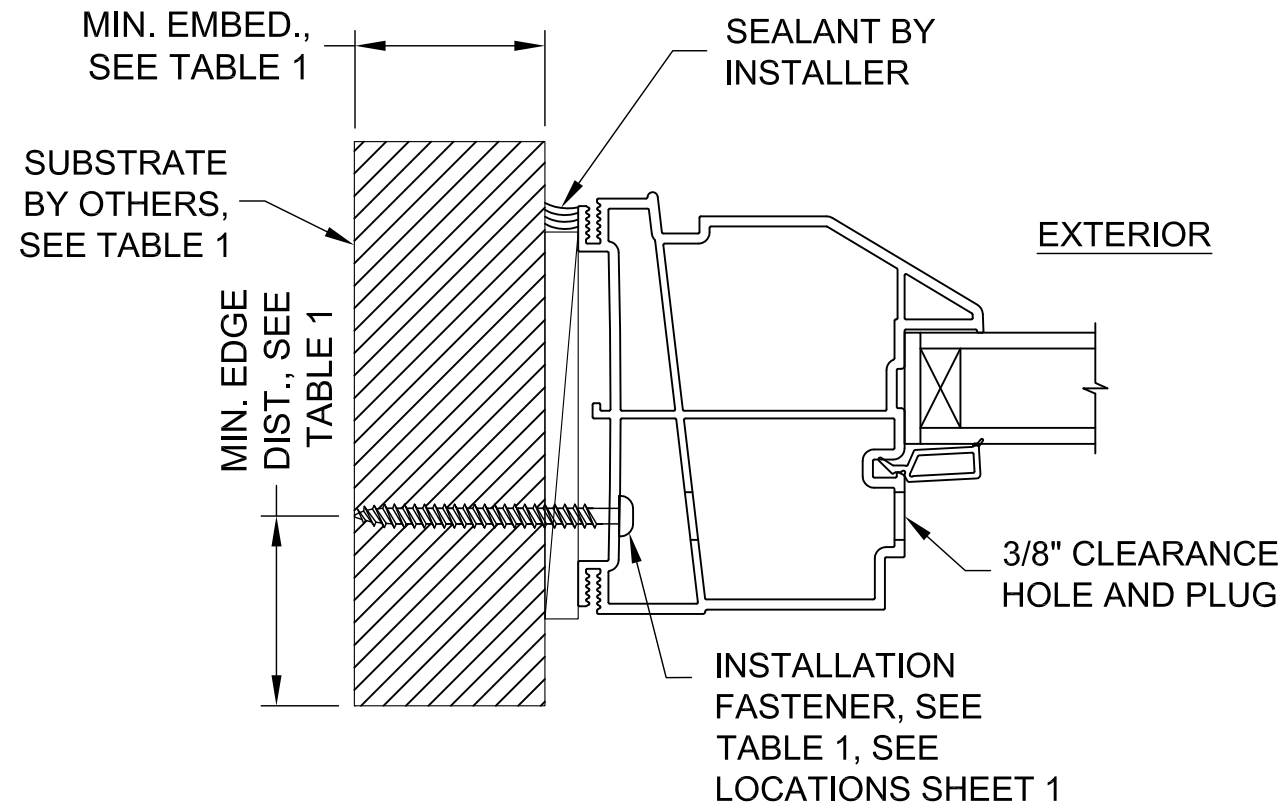
NORTHEAST BUILDING PRODUCTS
 4280 Aramingo Ave., Philadelphia, PA 19124
 Ph. (215) 535-7110 www.camelotwindows.com

SHEET DESCRIPTION: NOTES, ELEVATIONS	DATE DRAWN: 2/20/2020
SCALE: NTS	REV: 0
DRAWING: TDI-INSPIRA-CAPW-NI	SHEET: 1 OF 3

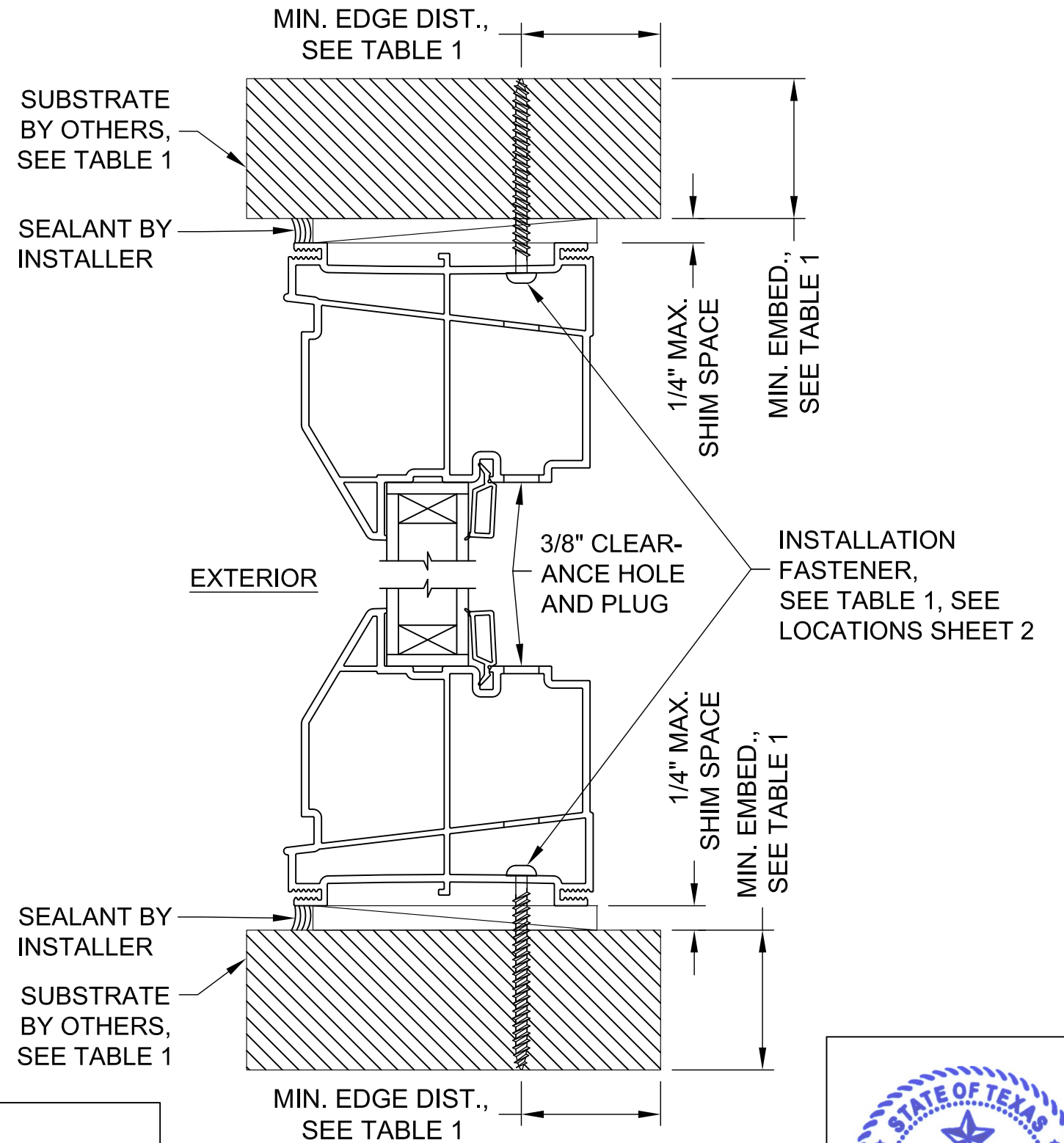


3/18/2020
 Lucas A. Turner, P.E.
 TX PE #115094
 2428 Old Natchez Trc Trl
 Camden, TN 38320
 Ph. 941-380-1574

INSPIRA CASEMENT PICTURE WINDOW, NON-IMPACT, REPLACEMENT



TYPICAL JAMB HORIZONTAL SECTION



**TYPICAL FRAME
VERTICAL SECTION**

TABLE 1: REPLACEMENT FRAME INSTALLATION ANCHOR REQUIREMENTS TABLE

SUBSTRATE TYPE	ANCHOR TYPE	MIN. EMBED.	MIN. EDGE DIST.
CONCRETE (2.0 KSI MIN)	3/16" ITW TAPCON	1"	1 1/8"
HOLLOW OR GROUT-FILLED CMU (117 PCF MIN.)	3/16" ITW TAPCON	1"	2"
CONCRETE (2.85 KSI MIN.)	3/16" ELCO ULTRACON	1"	1"
HOLLOW OR GROUT-FILLED CMU (ASTM C90)	3/16" ELCO ULTRACON	1-1/4"	2 1/2"
2X MIN. SPRUCE-PINE-FIR WOOD (G=0.42)	#8 WOOD SCREW	1-3/8"	1"
16 GAUGE (0.060") MIN. STEEL STUD, 33KSI YIELD MIN., OR 1/8" ALUM. 6063-T5 MIN.	#10-16 HILTI KWIK-FLEX OR ITW TEKS SELF-DRILLING SCREW	FULL	1/2"

NORTHEAST BUILDING PRODUCTS

4280 Aramingo Ave., Philadelphia, PA 19124
Ph. (215) 535-7110 www.camelotwindows.com

SHEET DESCRIPTION:
REPLACEMENT INSTALLATION

DATE DRAWN:
2/20/2020

SCALE: NTS

REV: 0

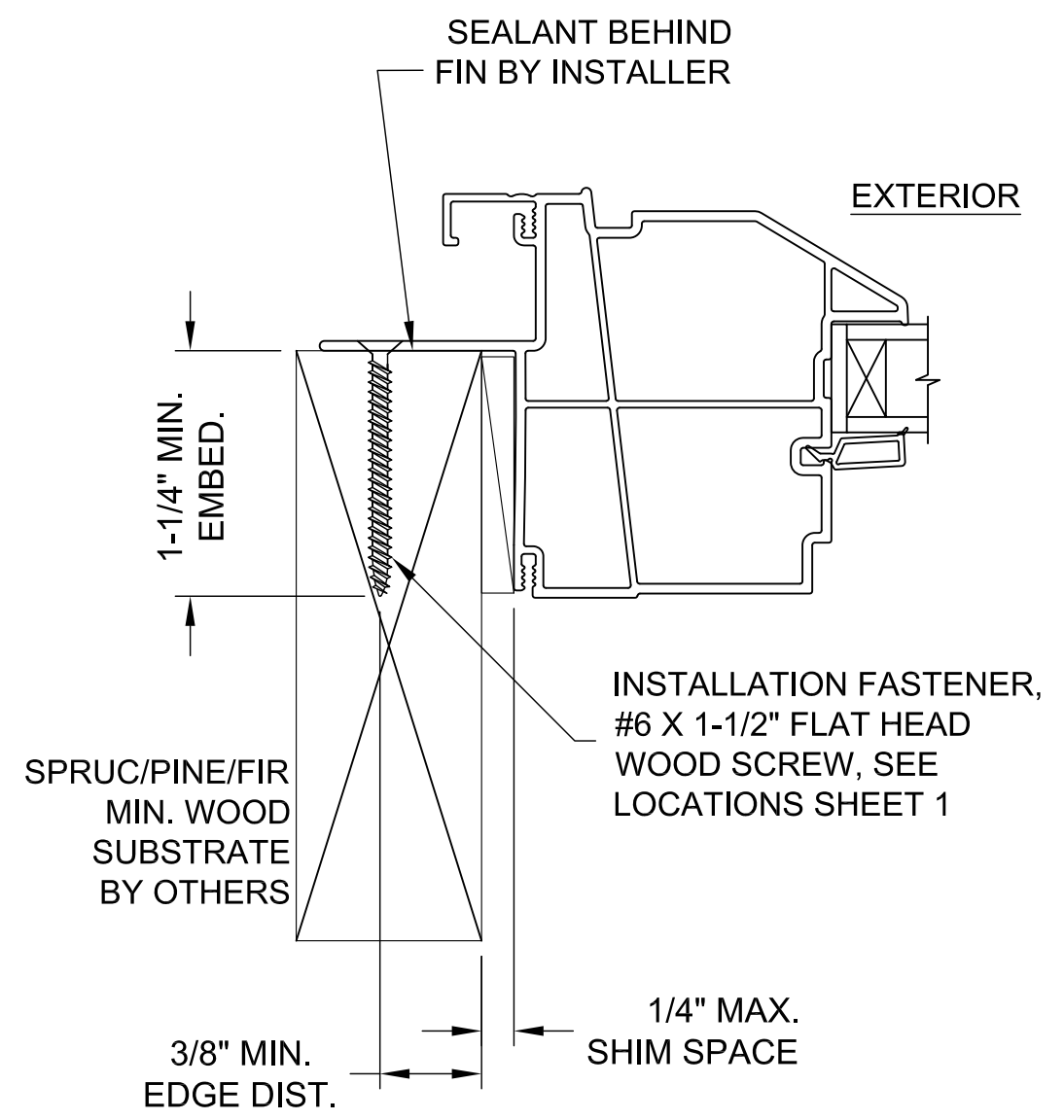
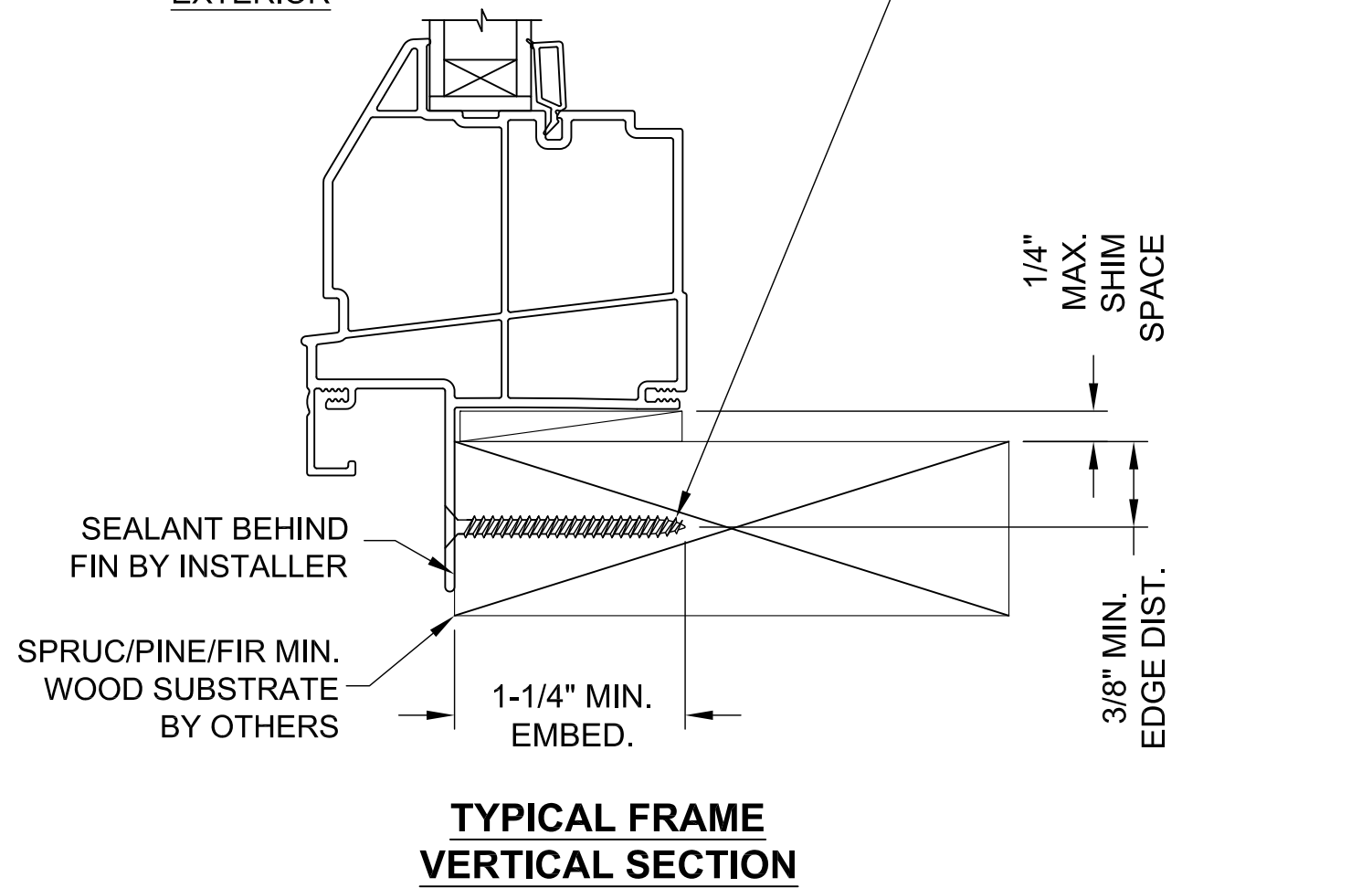
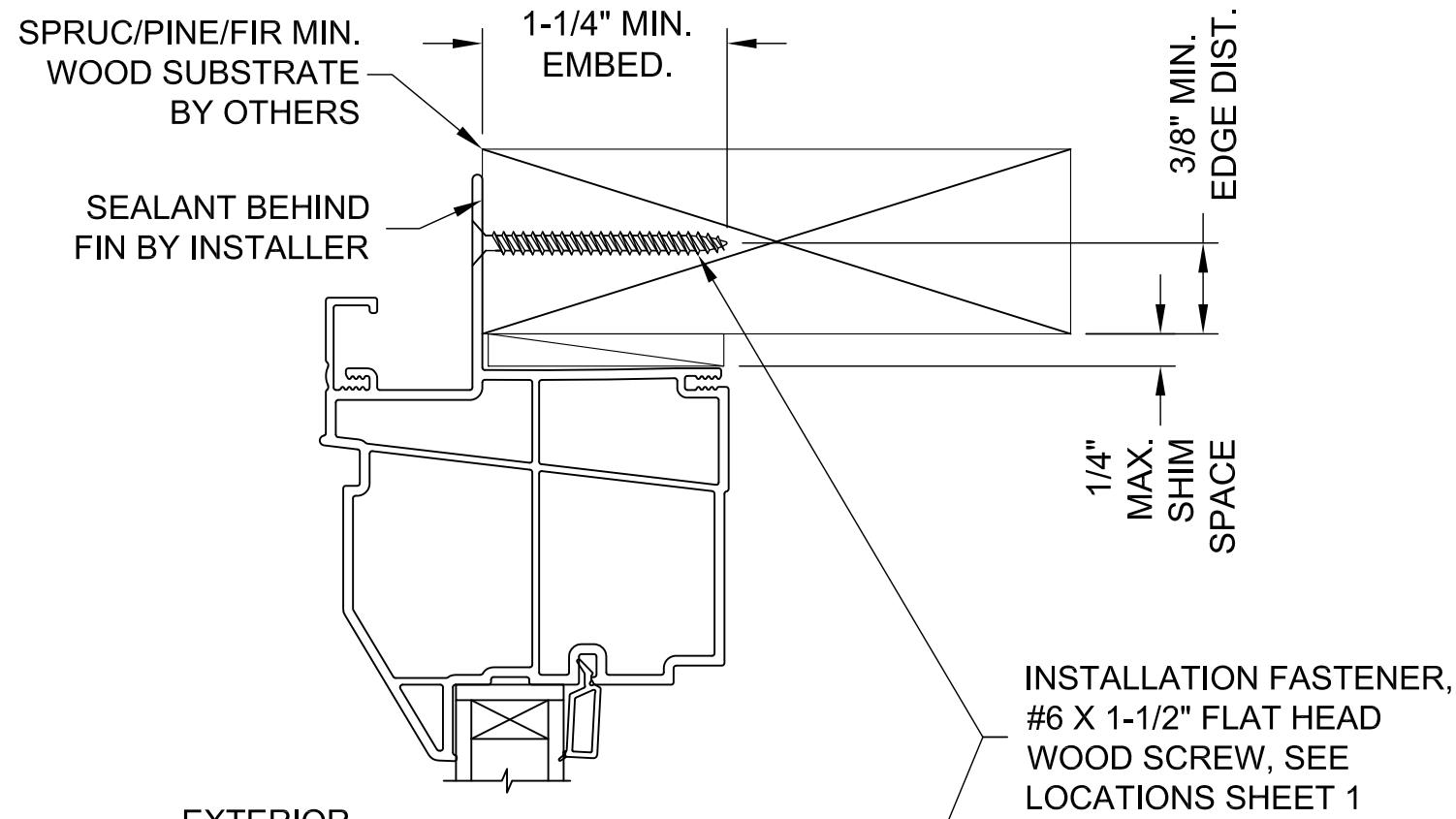
DRAWING: TDI-INSPIRA-CAPW-NI

SHEET: 2 OF 3



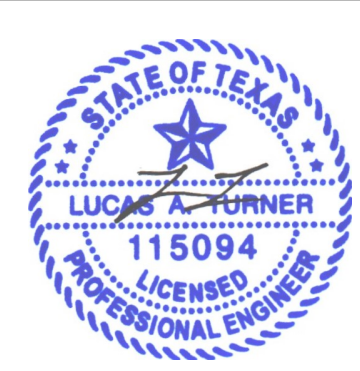
3/18/2020
Lucas A. Turner, P.E.
TX PE #115094
2428 Old Natchez Trc Trl
Camden, TN 38320
Ph. 941-380-1574

INSPIRA CASEMENT PICTURE WINDOW, NON-IMPACT, NEW CONSTRUCTION



TYPICAL JAMB HORIZONTAL SECTION

NORTHEAST BUILDING PRODUCTS	
4280 Aramingo Ave., Philadelphia, PA 19124 Ph. (215) 535-7110 www.camelotwindows.com	
SHEET DESCRIPTION: NEW CONSTR. INSTALLATION	DATE DRAWN: 2/20/2020
SCALE: NTS	REV: 0
DRAWING: TDI-INSPIRA-CAPW-NI	SHEET: 3 OF 3



3/18/2020
Lucas A. Turner, P.E.
TX PE #115094
2428 Old Natchez Trc Trl
Camden, TN 38320
Ph. 941-380-1574