

# Verde®

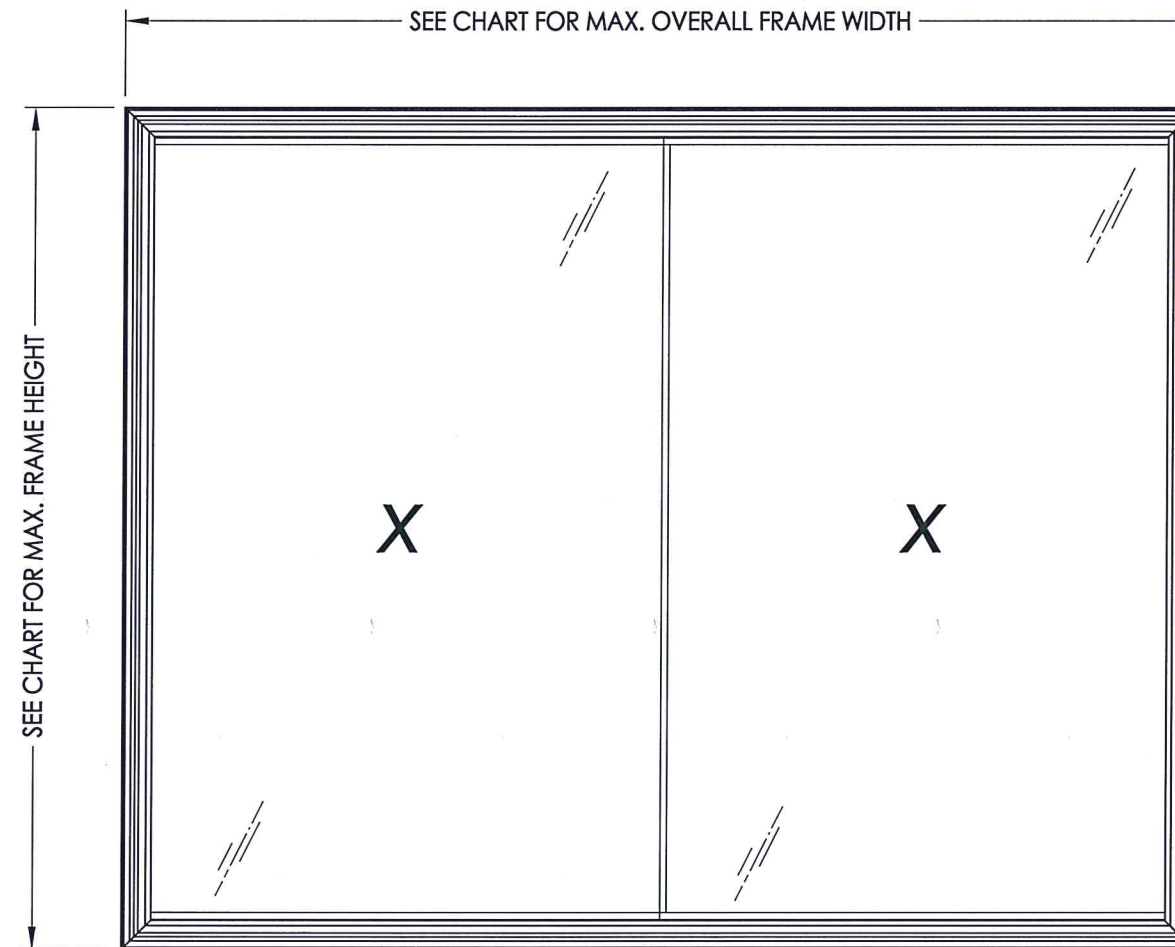
## "Verde" Series Horizontal Sliding Window "NON-IMPACT"

### EVALUATED FOR USE IN THE STATE OF TEXAS

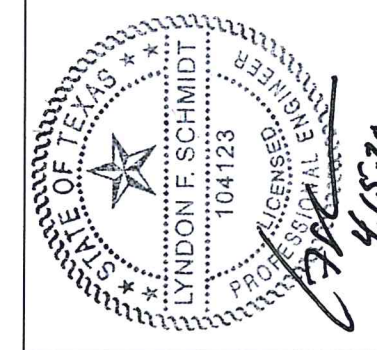
The Horizontal Sliding Window described herein complies with the 2018 International Residential Code (IRC), Sections R301 & R609 and the 2018 International Building Code (IBC), Sections 1404.13, 1609, 1709.5, 2403 and 2404 subject to the following conditions:

1. Anchors shall be as listed and spaced as shown in the details. Anchor embedment to base material shall be beyond roof covering.
2. When used in areas requiring wind-borne debris protection this product is required to be protected with an impact resistant covering that complies with Section R301.2.1.2 of the IRC and Section 1609.2 of the IBC.
3. Allowable design pressure requirements must be equal to or less than the design pressure rating shown in the design pressure chart, sheet 1 of this drawing.
4. Conditions not covered by this drawing are subject to further engineering analysis.

TABLE OF CONTENTS	
SHEET #	DESCRIPTION
1	Typical Elevations, Design Pressures & General Notes
2	Frame Anchoring & Cross Sections
3	Components
4	Bill of Materials & Glazing Details



MAX. OVERALL FRAME DIMENSION	MAX. DAY LITE DIMENSION	GLASS TYPE	DESIGN PRESSURE (PSF)	
			POS.	NEG.
72.0" X 56.0"	32.63" X 49.63"	G1	+30.0	-35.0
63.0" X 44.0"	28.13" X 37.63"	G2	+40.0	-45.0



Documents Prepared By: Lyndon F. Schmidt, P.E.  
TEXAS P.E. #104123

**RW** BUILDING CONSULTANTS, INC.  
P.O. Box 230 Valrico FL, 33595  
Phone No.: 813.659.9197

TEXAS BOARD OF PROFESSIONAL ENGINEERS  
CERTIFICATE OF REGISTRATION # F-11852

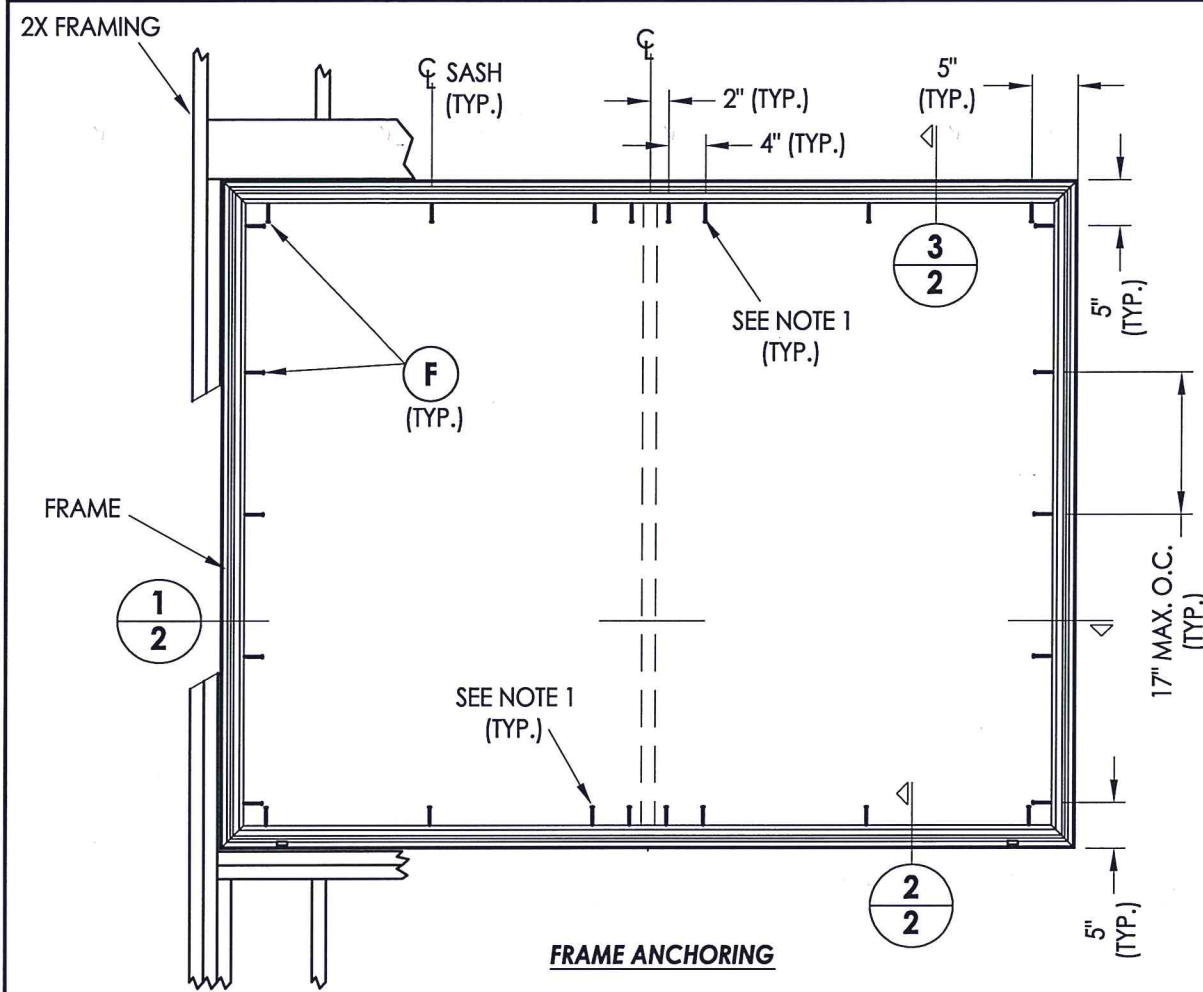
PRODUCT: HORIZONTAL SLIDING WINDOW

PART OR ASSEMBLY: TYPICAL ELEVATION, DESIGN PRESSURES & GENERAL NOTES

NO.	DATE	BY	REVISIONS

DATE: 4/13/20  
SCALE: N.T.S.  
DWG. BY: TRJ  
CHK. BY: LFS  
DRAWING NO.: TX-5022  
SHEET 1 OF 4

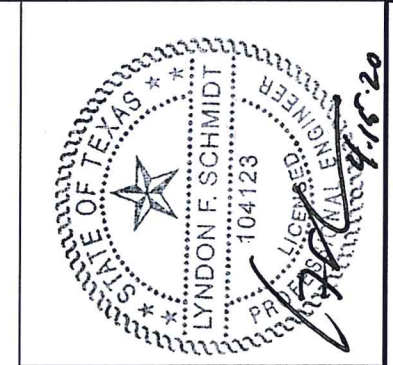
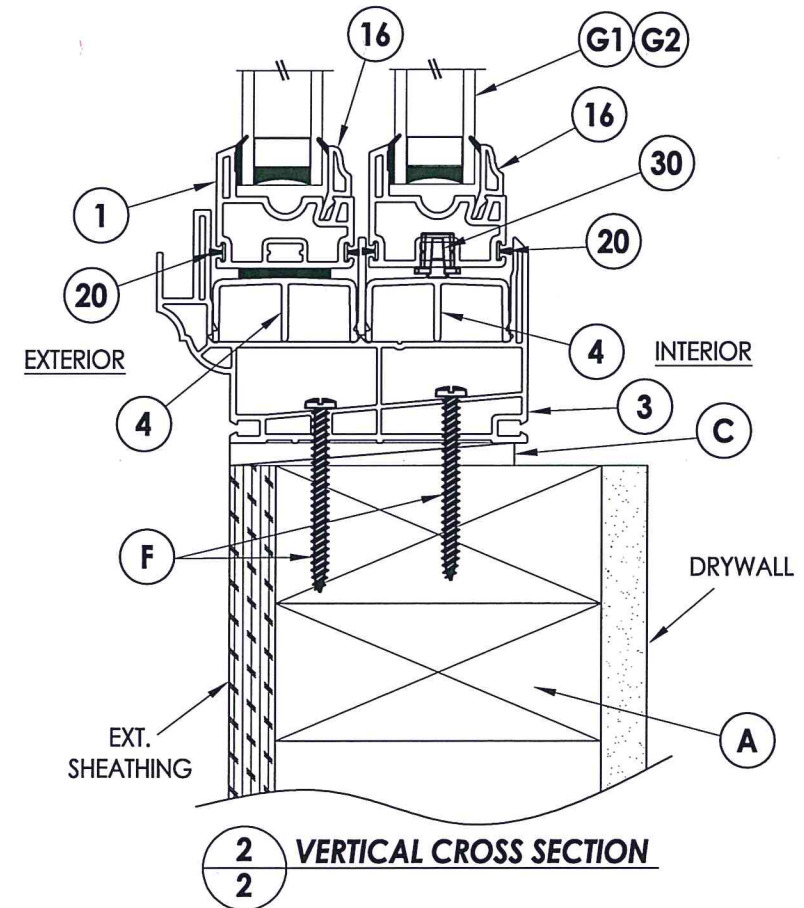
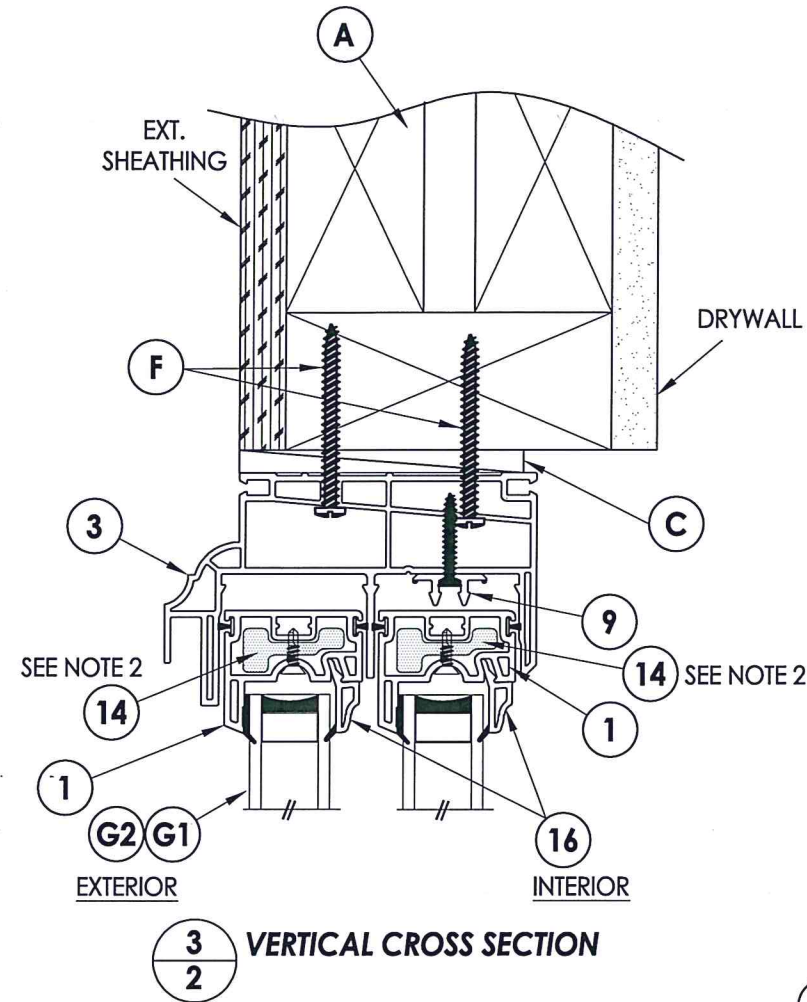
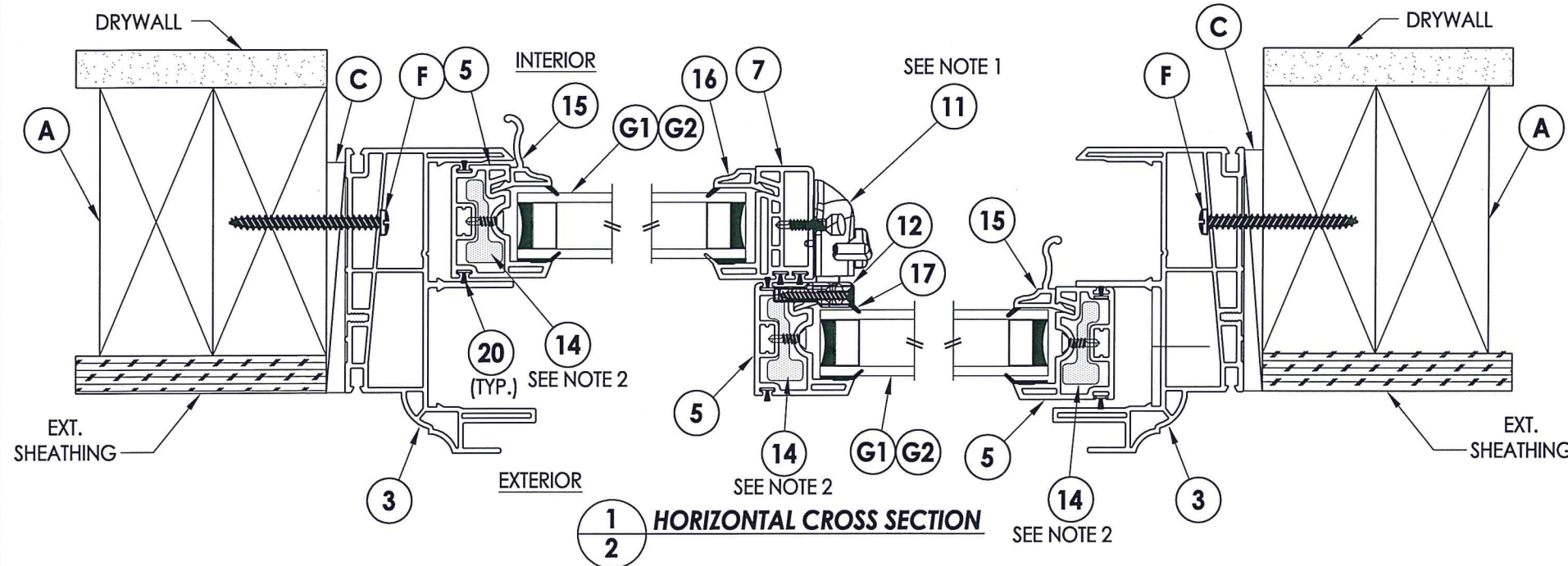




**NOTES:**

- 1. Lock and keeper located 11" from each end of lock/meeting stile.
- 2. Reinforcement required as follows:

72" X 56" Max. Frame Size: All stile & rail reinforcement shown  
 63" X 44" Max. Frame Size: All stile reinforcement shown  
 63" X 40" Max. Frame Size: No reinforcement is required

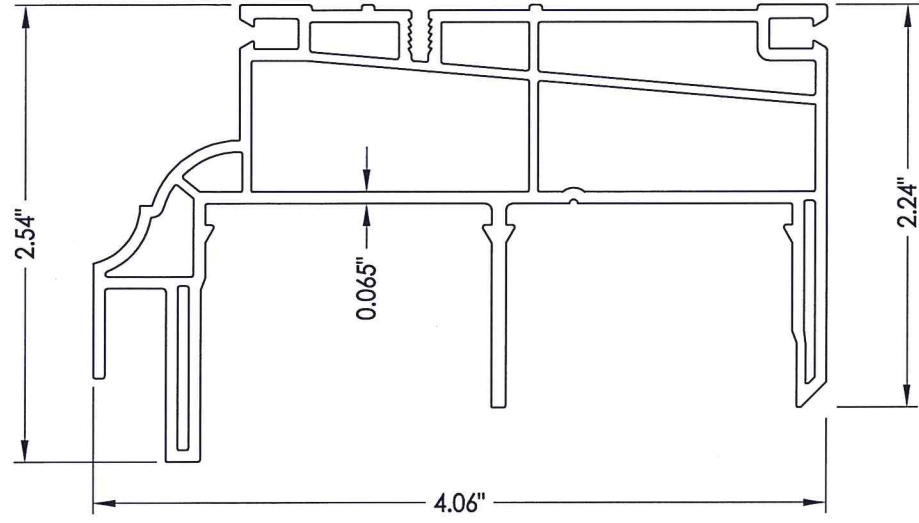


Documents Prepared By: Lyndon F. Schmidt, P.E.  
 TEXAS P.E. #104123

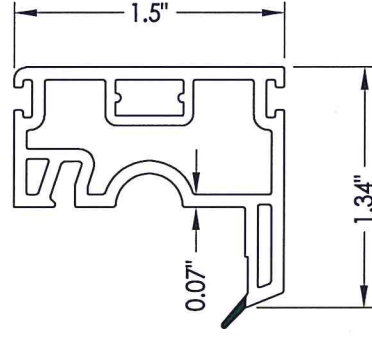
**RW BUILDING CONSULTANTS, INC.**  
 P.O. Box 230 Valrico FL, 33595  
 Phone No.: 813.659.9197

TEXAS BOARD OF PROFESSIONAL ENGINEERS  
 CERTIFICATE OF REGISTRATION # F-11852

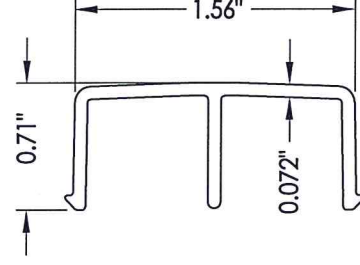
PRODUCT:	HORIZONTAL SLIDING WINDOW	
PART OR ASSEMBLY:	FRAME ANCHORING & CROSS SECTIONS	
NO.	DATE	BY
		REVISIONS
DATE:	4/13/20	
SCALE:	N.T.S.	
DWG. BY:	TRJ	
CHK. BY:	LFS	
DRAWING NO.:	TX-5022	
SHEET	2 OF 4	



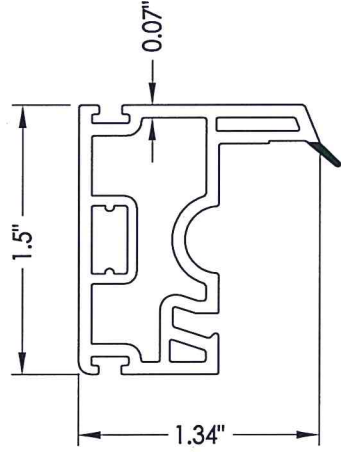
3 FRAME



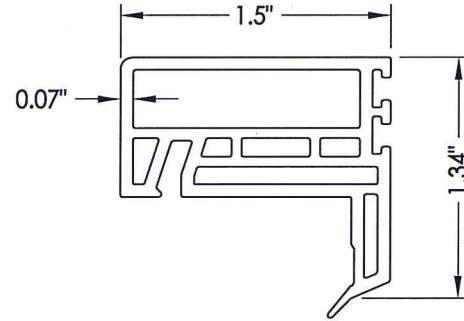
1 TOP/ BOTTOM RAIL



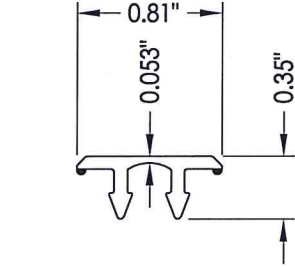
4 SILL TRACK



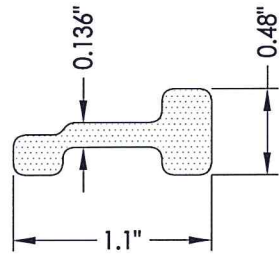
5 STILE



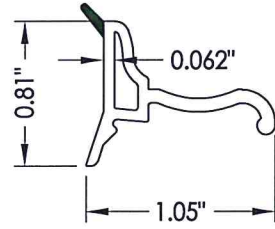
7 LOCK STILE



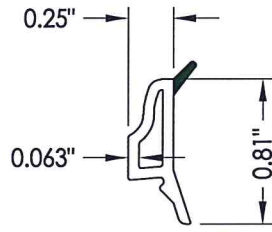
9 SASH LIFT LOCK



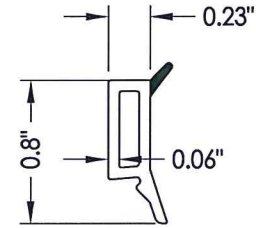
14 STILE/RAIL REINFORCEMENT



15 PULL STILE GLAZING BEAD



16 CONTOURED GLAZING BEAD



17 MTG. STILE GLAZING BEAD



Documents Prepared By: Lyndon F. Schmidt, P.E.  
TEXAS P.E. #104123

R.W. BUILDING CONSULTANTS, INC.  
P.O. Box 230 Vairico FL. 33595  
Phone No.: 813.659.9197  
TEXAS BOARD OF PROFESSIONAL ENGINEERS  
CERTIFICATE OF REGISTRATION # F-11852

PRODUCT: HORIZONTAL SLIDING WINDOW  
PART OR ASSEMBLY: COMPONENTS

REVISIONS		NO.	DATE	BY

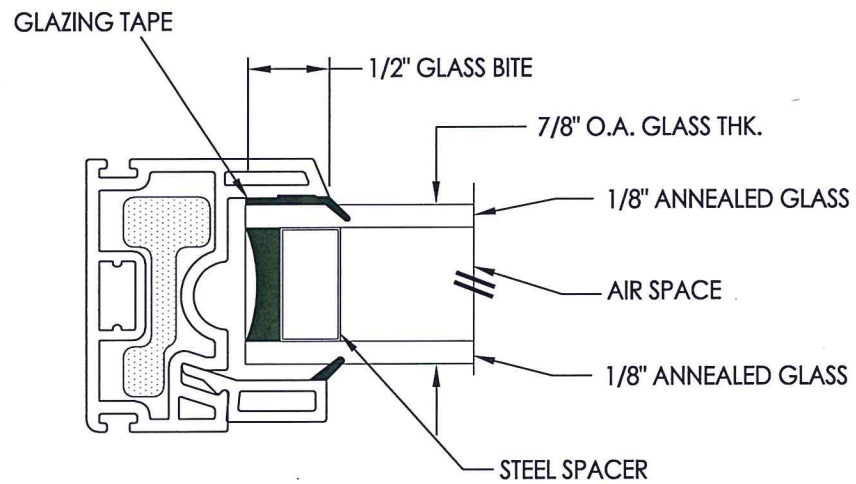
DATE: 4/13/20  
SCALE: N.T.S.  
DWG. BY: TRJ  
CHK. BY: LFS  
DRAWING NO.: TX-5022  
SHEET 3 of 4



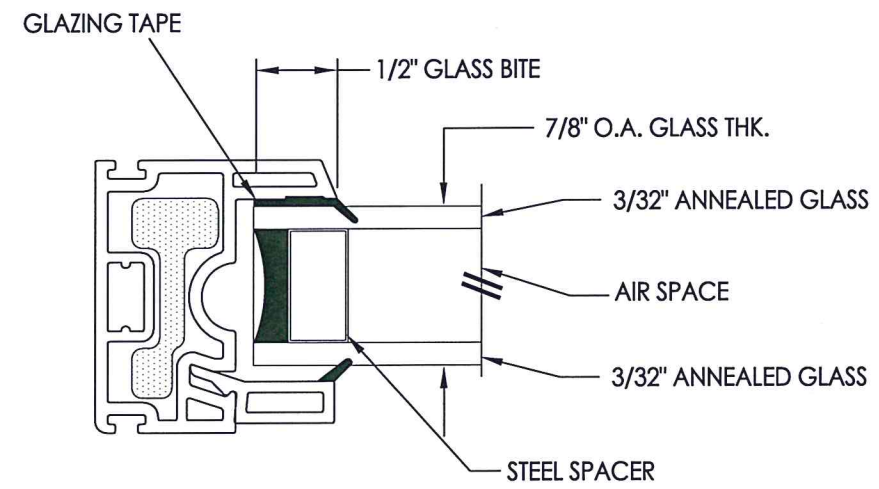
**BILL OF MATERIALS**

ITEM #	DESCRIPTION	MATERIAL
A	2X FRAMING (SG >= 0.42)	WOOD
C	1/4" MAX. SHIM SPACE	-
F	#10 X 2" PPH SMS (1-1/4" MIN. EMBEDMENT)	STEEL
1	TOP RAIL/BOTTOM RAIL*	RIGID PVC
3	FRAME*	RIGID PVC
4	SILL TRACK*	RIGID PVC
5	STILE*	RIGID PVC
7	LOCK STILE*	RIGID PVC
9	SASH LIFT LOCK*	RIGID PVC
11	SASH LOCK	-
12	KEEPER	-
14	STILE/RAIL REINFORCEMENT	COMP
15	PULL STILE GLAZING BEAD*	RIGID PVC
16	CONTOURED GLAZING BEAD*	RIGID PVC
17	MEETING STILE GLAZING BEAD*	RIGID PVC
20	WEATHERSTRIP	-
30	ROLLER ASSY.	-

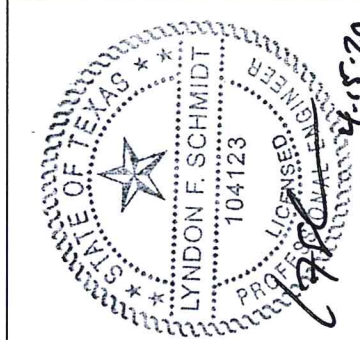
\* THE APPROVED WHITE RIGID PVC EXTERIOR EXTRUSIONS FOR WINDOWS ARE TO BE PRODUCED BY EXTRUDERS LICENSEES IN "CERTIFICATION PROGRAMS FOR RIGID PVC EXTRUSIONS".



**G1** GLAZING DETAIL



**G2** GLAZING DETAIL



Documents Prepared By: Lyndon F. Schmidt, P.E.  
TEXAS P.E. #104123

**RW** BUILDING CONSULTANTS, INC.  
P.O. Box 230 Valrico FL 33595  
Phone No.: 813.659.9197

TEXAS BOARD OF PROFESSIONAL ENGINEERS  
CERTIFICATE OF REGISTRATION # F-11852

PRODUCT: HORIZONTAL SLIDING WINDOW

PART OR ASSEMBLY: BILL OF MATERIALS, & GLAZING DETAILS

NO.	DATE	BY	REVISIONS

DATE: 4/13/20  
SCALE: N.T.S.  
DWG. BY: TRJ  
CHK. BY: LFS  
DRAWING NO.: TX-5022  
SHEET 4 OF 4