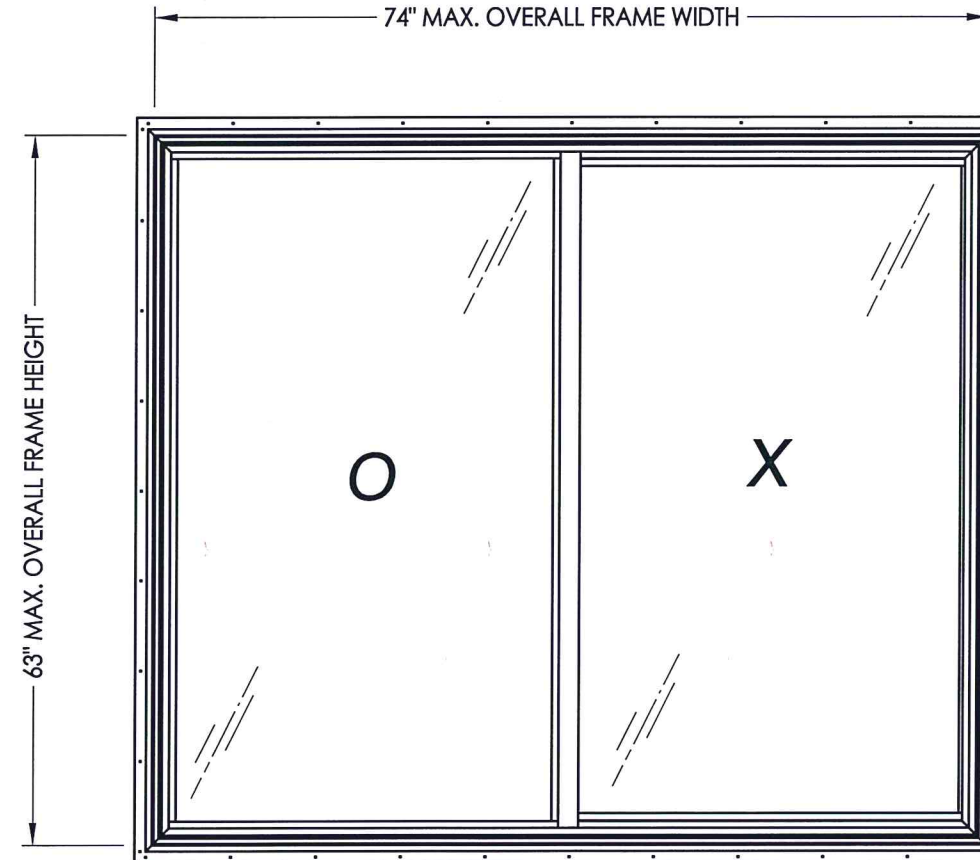




9550 Horizontal Sliding Window w/ Nailing Fin IMPACT RATED



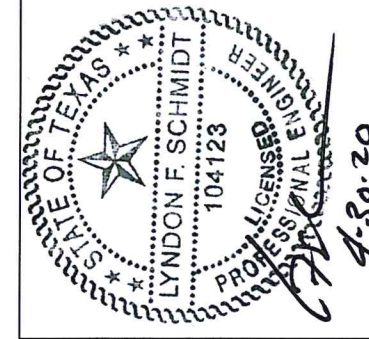
EVALUATED FOR USE IN THE STATE OF TEXAS

The Horizontal Sliding Window described herein complies with the 2018 International Residential Code (IRC), Sections R301 & R609 and the 2018 International Building Code (IBC), Sections 1404.13, 1609, 1709.5, 2403 and 2404 subject to the following conditions:

1. Anchors shall be as listed and spaced as shown in the details. Anchor embedment to base material shall be beyond roof covering.
2. When used in areas requiring wind-borne debris protection, this product complies with Section R301.2.1.2 of the IRC and Section 1609.2 of the IBC and does not require impact protection. This product meets missile level "D" and includes Wind Zone 3 as defined in ASTM E 1996.
3. Allowable design pressure requirements must be equal to or less than the design pressure rating shown in the design pressure chart, sheet 1 of this drawing.
4. Conditions not covered by this drawing are subject to further engineering analysis.

TABLE OF CONTENTS	
SHEET #	DESCRIPTION
1	Typical elevations, design pressures & general notes
2	Vertical & horizontal cross sections & frame anchoring
3	Components
4	Bill of materials and glazing details

MAX. OVERALL FRAME DIMENSION	MAX DAY LITE DIMENSION (OPERABLE)	MAX DAY LITE DIMENSION (FIXED)	GLASS TYPE	DESIGN PRESSURE (PSF)	
				POS.	NEG.
74.0" X 63.0"	33.5" X 57.31"	33.25" X 58.56"	G1	+50.0	-60.0



Documents Prepared By: Lyndon F. Schmidt, P.E.
TEXAS P.E. #104123

RW BUILDING CONSULTANTS, INC.
P.O. Box 230 Valrico FL, 33595
Phone No.: 813.659.9197

TEXAS BOARD OF PROFESSIONAL ENGINEERS
CERTIFICATE OF REGISTRATION # F-11852

PRODUCT: NewSouth

PART OR ASSEMBLY: TYPICAL ELEVATION, DESIGN PRESSURES & GENERAL NOTES

NO.	DATE	BY	REVISIONS

DATE: 3/16/20

SCALE: N.T.S.

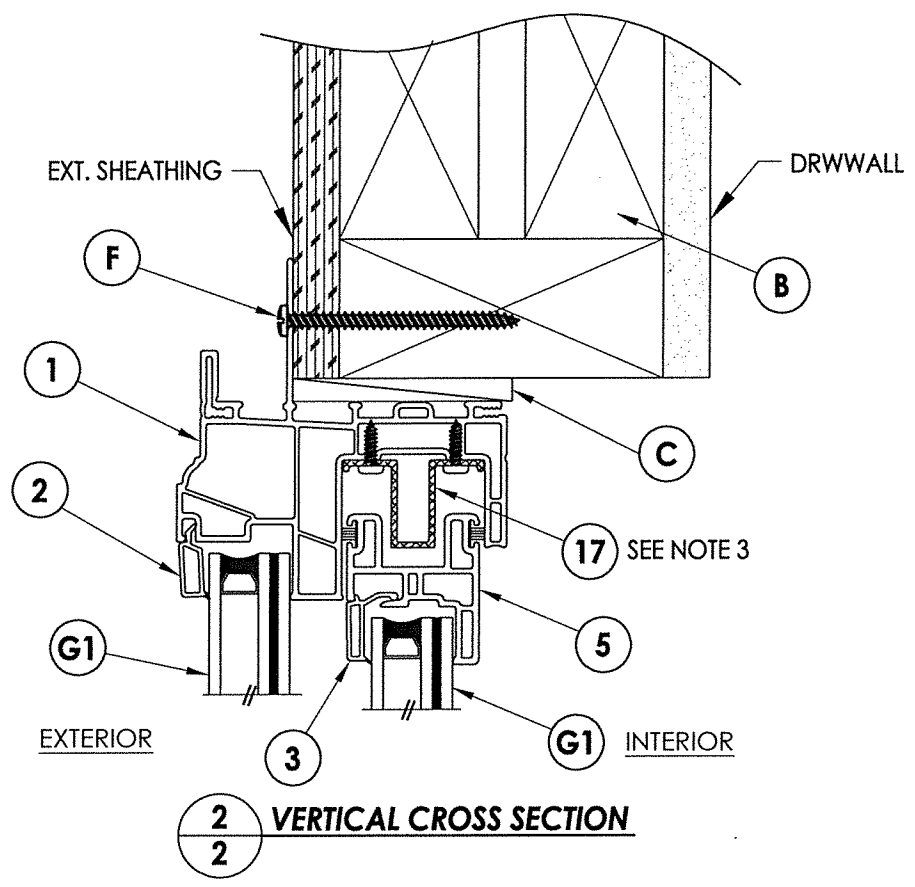
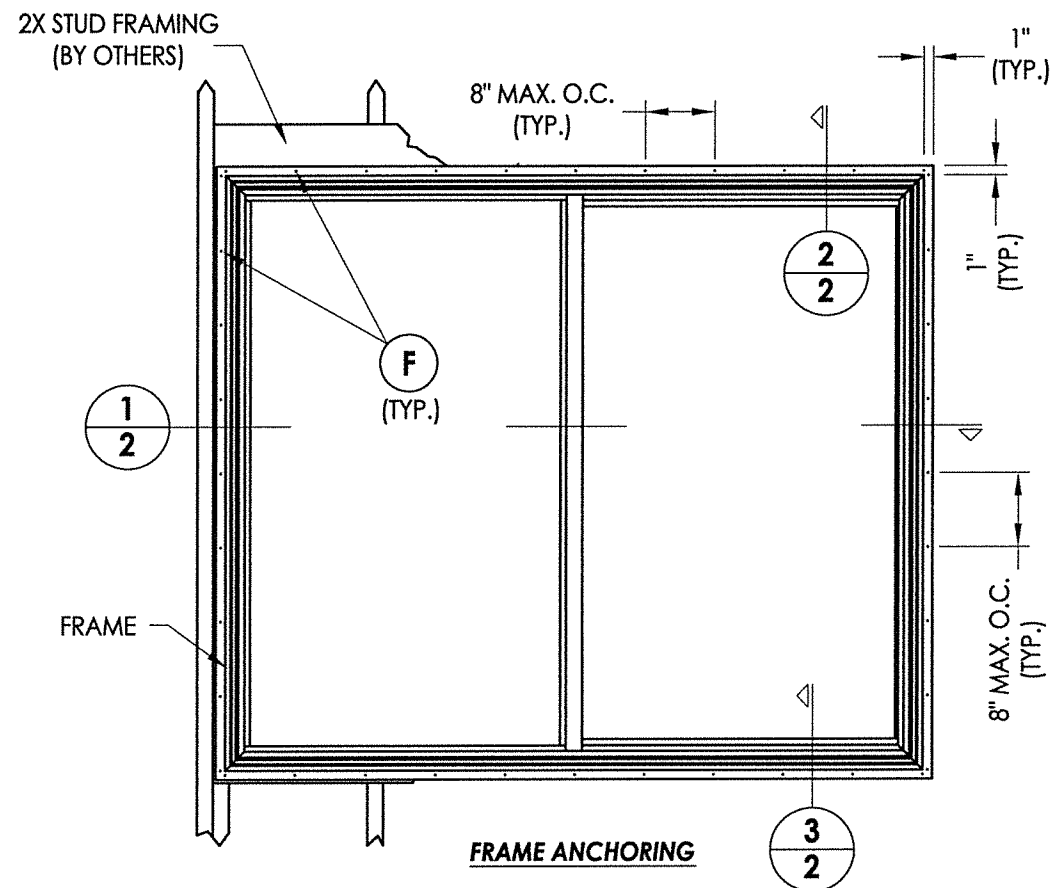
DWG. BY: RW

CHK. BY: LFS

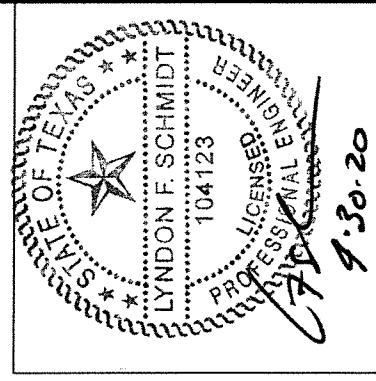
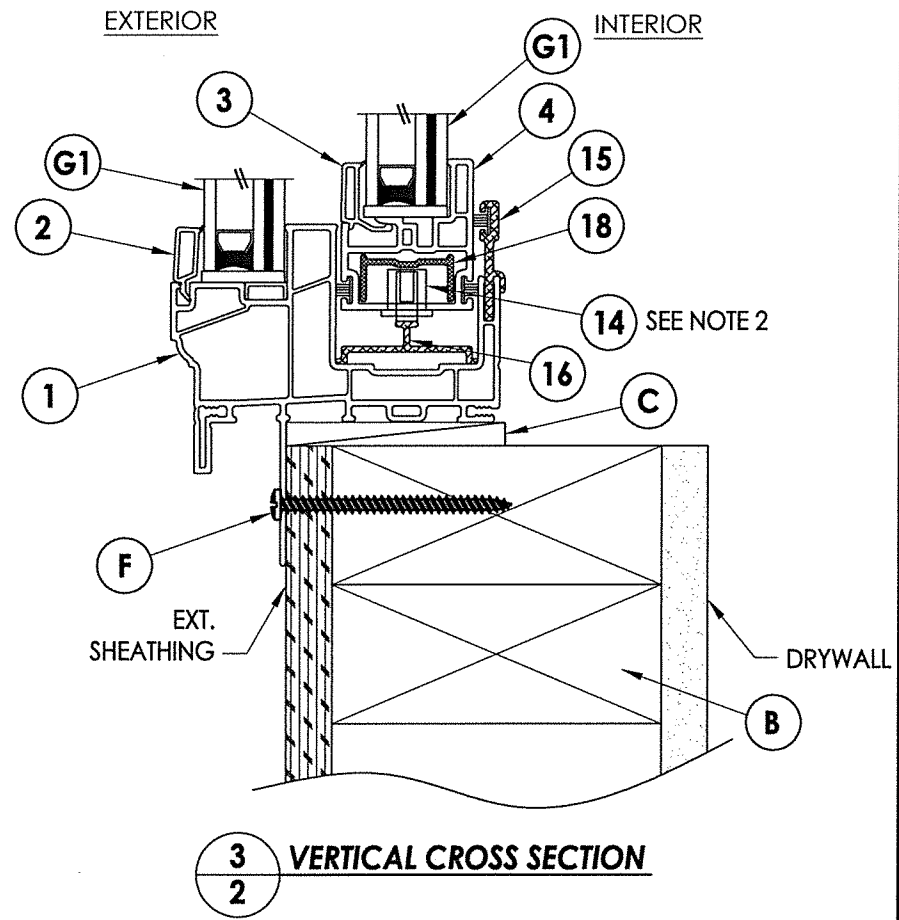
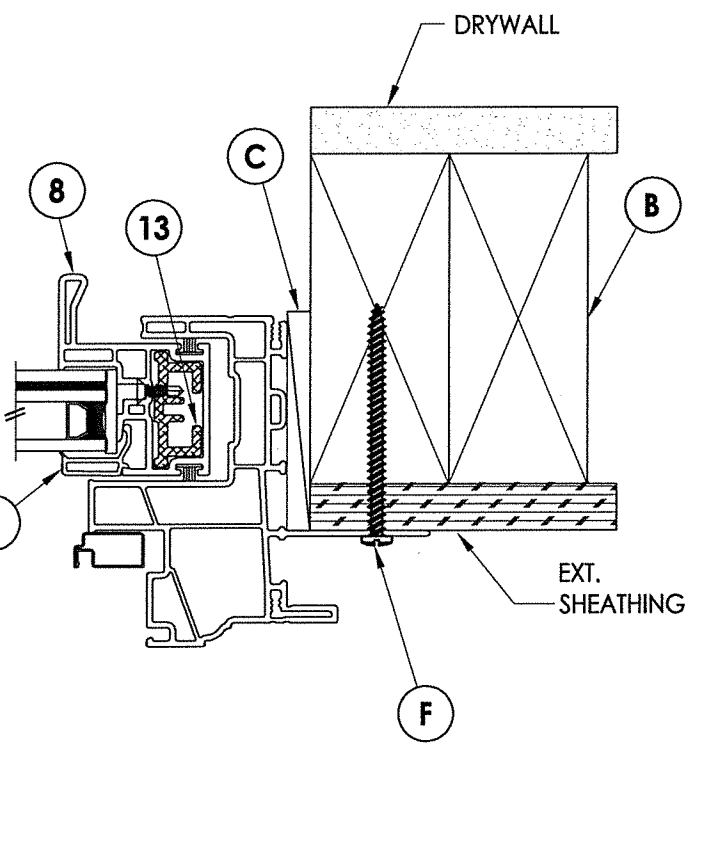
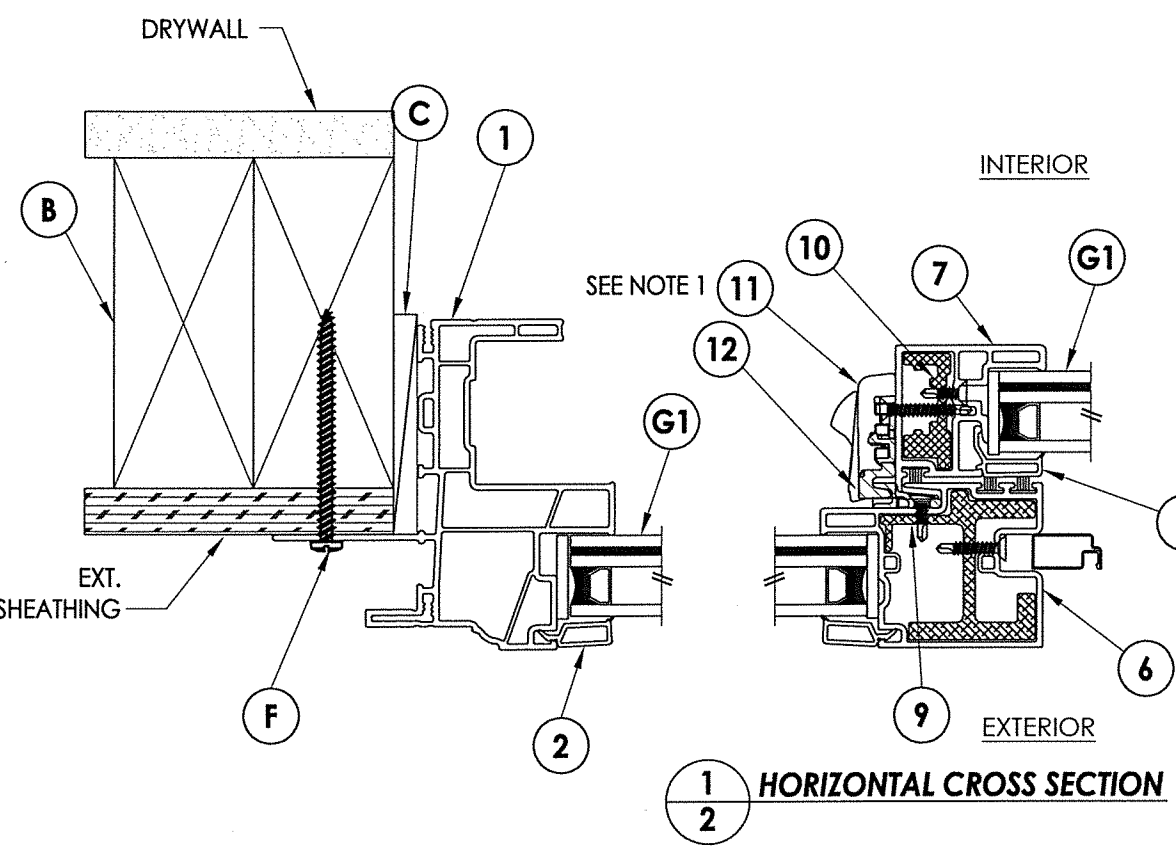
DRAWING NO.: TX-5007

SHEET 1 OF 4

R:\Clients\New South Windows PERMANENT B - Texas Dept of Ins\TDI - XXX 9550 HS\Drawings\TX-5007.dwg, 2.3



- NOTES:**
1. Lock and keeper located 7" from each end of lock/meeting stile.
 2. Metal roller assembly located 2" from each end of the bottom rail.
 3. Anti-lift secured to head with (6) #6 x 1/2" PPH SMS.



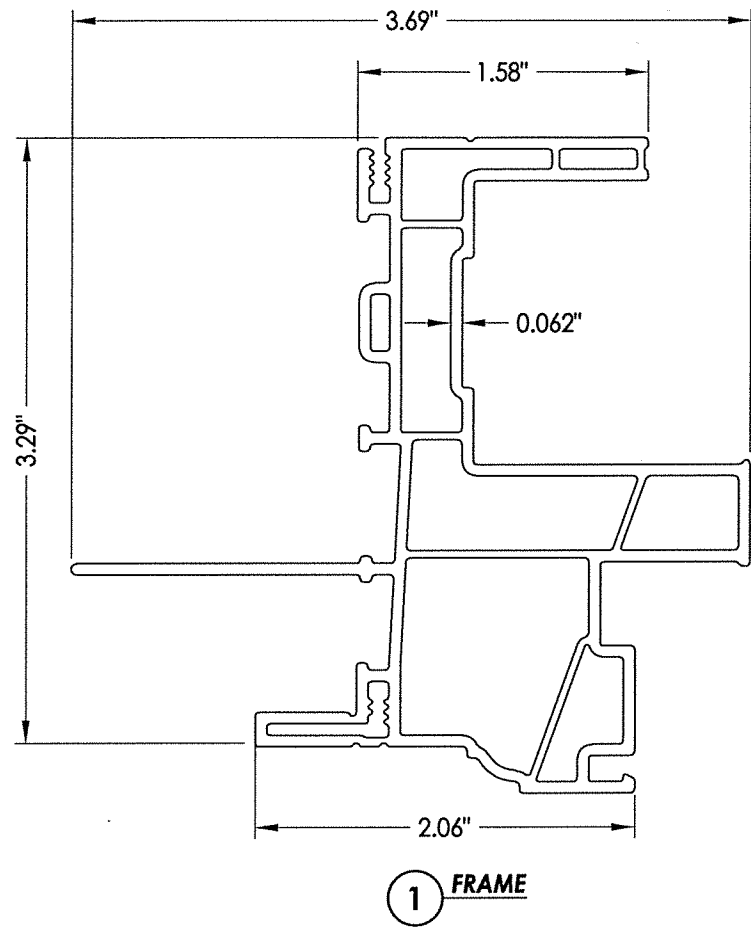
Documents Prepared By: Lyndon F. Schmidt, P.E.
TEXAS P.E. #104123

RW BUILDING CONSULTANTS, INC.
P.O. Box 230 Valrico FL 33595
Phone No.: 813.659.9197

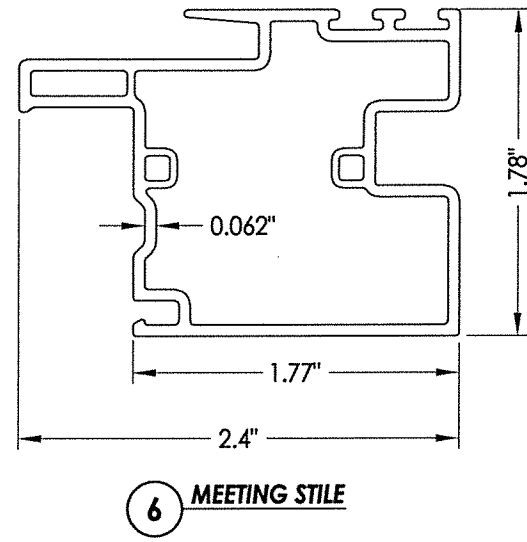
TEXAS BOARD OF PROFESSIONAL ENGINEERS
CERTIFICATE OF REGISTRATION # F-11852

PRODUCT:	NewSouth	
PART OR ASSEMBLY:	VERTICAL & HORIZONTAL CROSS SECTIONS & FRAME ANCHORING	
NO.	DATE	BY
REVISIONS		
DATE:	3/16/20	
SCALE:	N.T.S.	
DWG. BY:	RW	
CHK. BY:	LFS	
DRAWING NO.:	TX-5007	
SHEET	2	OF 4

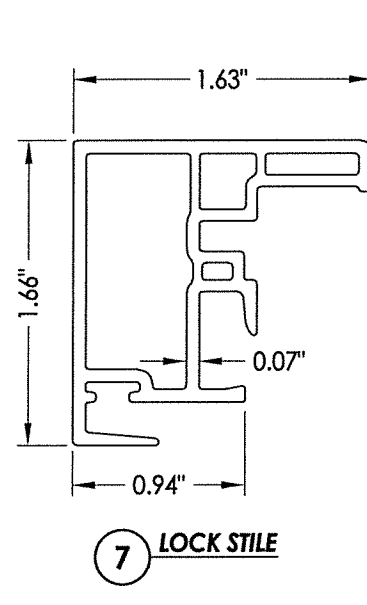
© 2020 R.W. BUILDING CONSULTANTS INC.



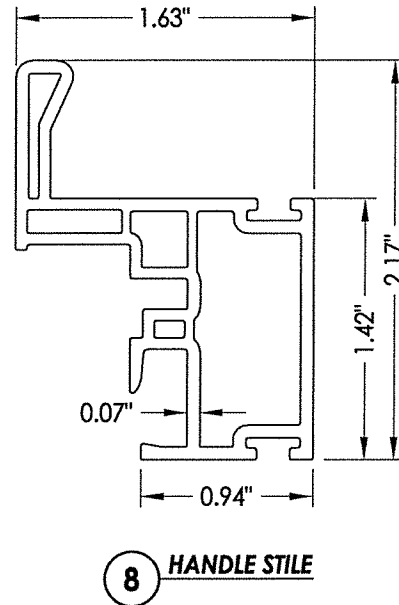
1 FRAME



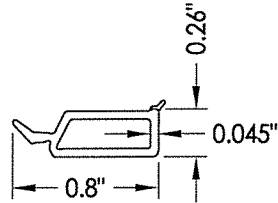
6 MEETING STILE



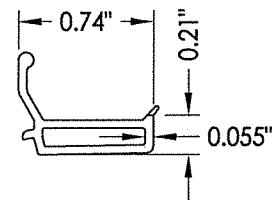
7 LOCK STILE



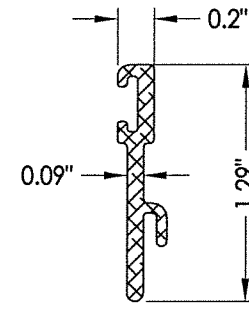
8 HANDLE STILE



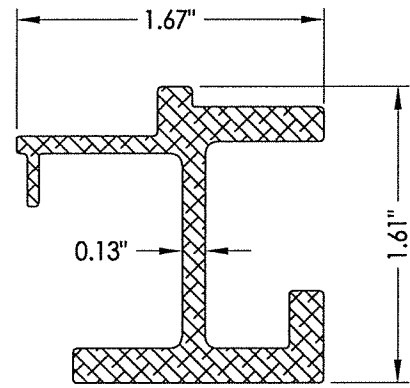
2 GLAZING BEAD



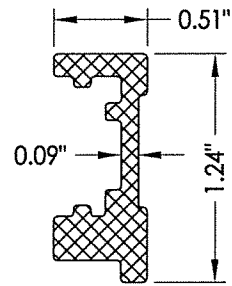
3 GLAZING BEAD



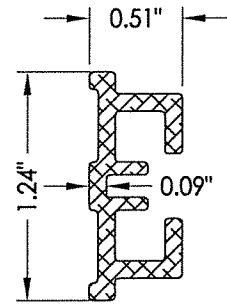
15 SILL RISER



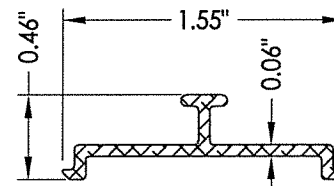
9 MEETING STILE REINFORCEMENT



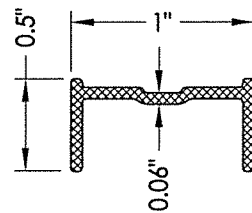
10 LOCK STILE REINFORCEMENT



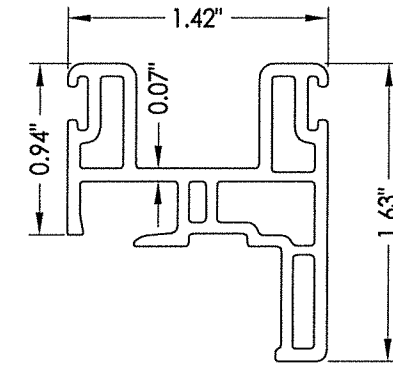
13 HANDLE STILE REINFORCEMENT



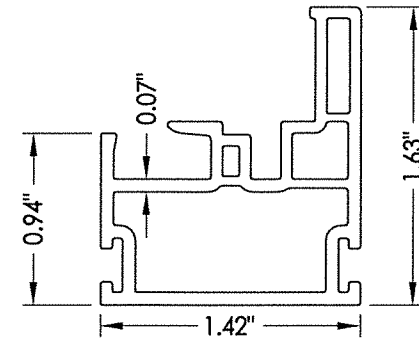
16 ROLLER TRACK



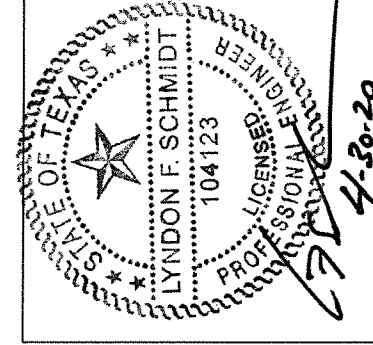
18 BOTTOM RAIL REINFORCEMENT



5 TOP RAIL



4 BOTTOM RAIL



Documents Prepared By: Lyndon F. Schmidt, P.E.
TEXAS P.E. #104123

RW BUILDING CONSULTANTS, INC.
P.O. Box 230 Vairico FL 33595
Phone No.: 813.659.9197
TEXAS BOARD OF PROFESSIONAL ENGINEERS
CERTIFICATE OF REGISTRATION # F-11852

PRODUCT:	NewSouth
PART OR ASSEMBLY:	COMPONENTS

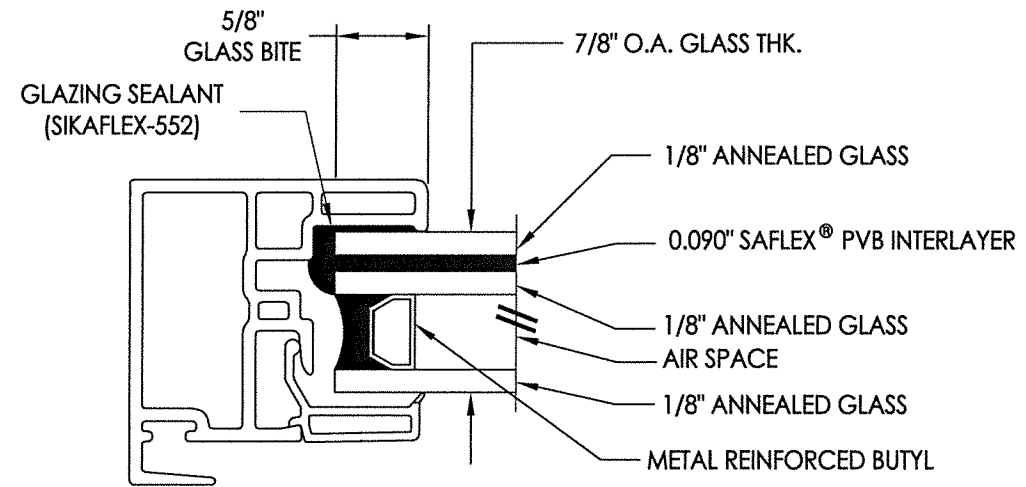
NO.	DATE	BY	REVISIONS

DATE:	3/16/20
SCALE:	N.T.S.
DWG. BY:	RW
CHK. BY:	LFS
DRAWING NO.:	TX-5007
SHEET	3 OF 4

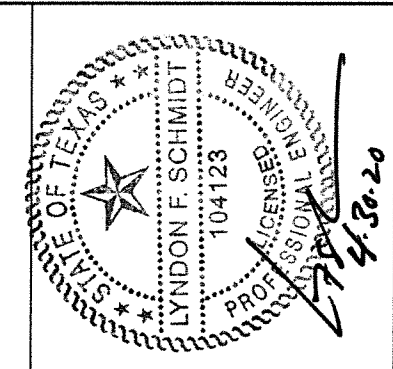
BILL OF MATERIALS

ITEM #	DESCRIPTION	MATERIAL
B	2X FRAMING (SG >= 0.42)	WOOD
C	1/4" MAX. SHIM SPACE	-
F	#10 X 2-1/2" PPH SMS (1-3/4" MIN. EMBEDMENT)	STEEL
1	EXTRUDED VINYL FRAME (437)*	RIGID PVC
2	EXTRUDED VINYL GLAZING BEAD (736A)*	RIGID PVC
3	EXTRUDED VINYL GLAZING BEAD (425A) *	RIGID PVC
4	BOTTOM RAIL (424B)*	RIGID PVC
5	TOP RAIL (478)*	RIGID PVC
6	MEETING STILE (477)*	RIGID PVC
7	LOCK STILE (476)*	RIGID PVC
8	HANDLE STILE (475B)*	RIGID PVC
9	MEETING STILE REINFORCEMENT	6063 - T5 ALUM
10	LOCK STILE REINFORCEMENT	6063 - T5 ALUM
11	SASH LOCK	-
12	KEEPER	-
13	HANDLE STILE REINFORCEMENT	6063 - T5 ALUM
14	ROLLER (TRUTH #2433-1000)	-
15	SILL RISER	6063 - T5 ALUM
16	ROLLER TRACK	6063 - T5 ALUM
17	ANTI-LIFT ALUMINUM	6063 - T5 ALUM
18	BOTTOM RAIL REINFORCEMENT	6063 - T5 ALUM
20	WEATHERSTRIP (.187" X .290")	-

* THE APPROVED WHITE RIGID PVC EXTERIOR EXTRUSIONS FOR WINDOWS ARE TO BE PRODUCED BY EXTRUDERS LICENSEES IN "CERTIFICATION PROGRAMS FOR RIGID PVC EXTRUSIONS".



G1 GLAZING DETAIL



Documents Prepared By: Lyndon F. Schmidt, P.E.
TEXAS P.E. #104123

RW BUILDING CONSULTANTS, INC.
P.O. Box 230 Valrico FL 33595
Phone No.: 813.659.9197

TEXAS BOARD OF PROFESSIONAL ENGINEERS
CERTIFICATE OF REGISTRATION # F-11852

PRODUCT: NewSouth
PART OR ASSEMBLY: BILL OF MATERIALS AND GLAZING DETAILS

NO.	DATE	BY	REVISIONS

DATE: 3/16/20
SCALE: N.T.S.
DWG. BY: RW
CHK. BY: LFS
DRAWING NO.: TX-5007
SHEET 4 OF 4