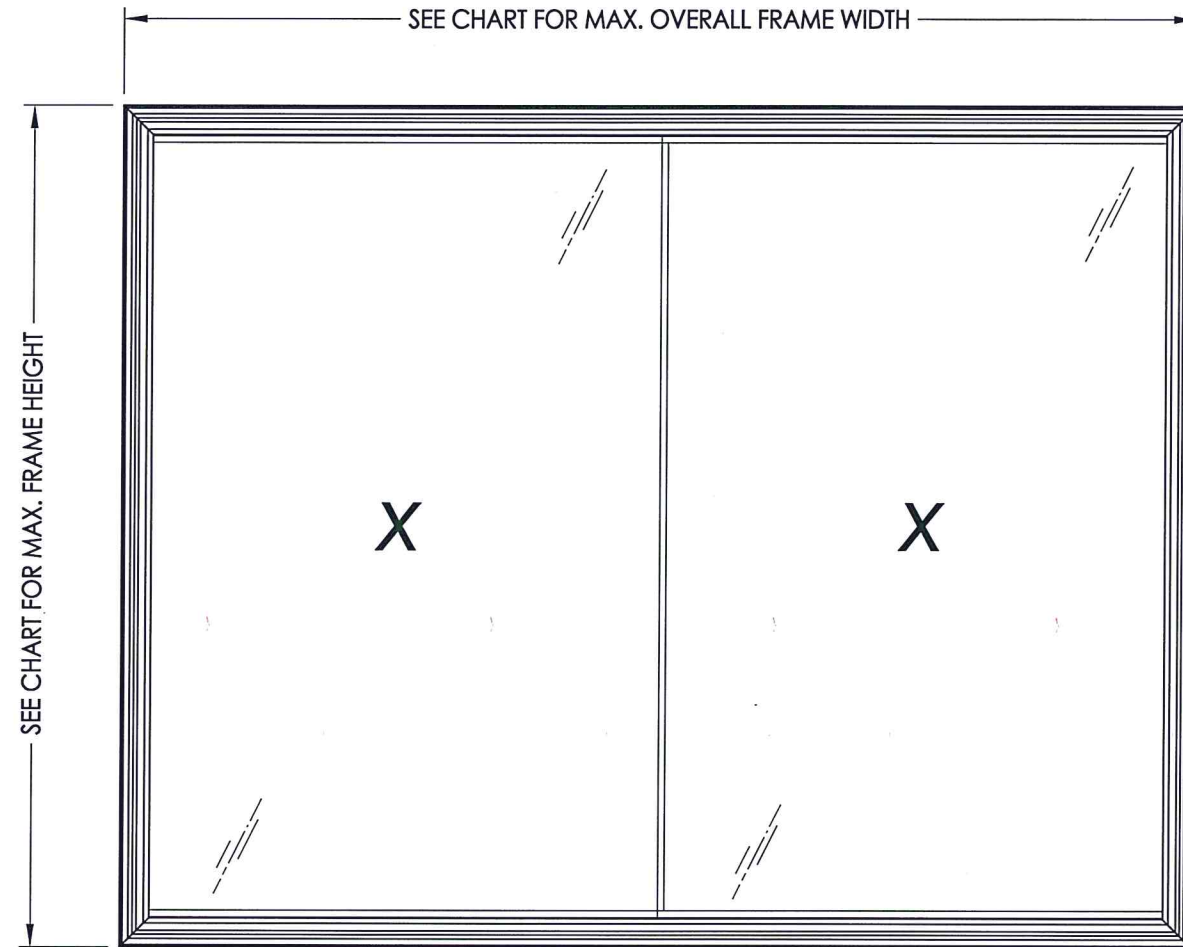




"Restorations" Series Horizontal Sliding Window "NON-IMPACT"



EVALUATED FOR USE IN THE STATE OF TEXAS

The Horizontal Sliding Window described herein complies with the 2018 International Residential Code (IRC), Sections R301 & R609 and the 2018 International Building Code (IBC), Sections 1404.13, 1609, 1709.5, 2403 and 2404 subject to the following conditions:

1. Anchors shall be as listed and spaced as shown in the details. Anchor embedment to base material shall be beyond roof covering.
2. When used in areas requiring wind-borne debris protection this product is required to be protected with an impact resistant covering that complies with Section R301.2.1.2 of the IRC and Section 1609.2 of the IBC.
3. Allowable design pressure requirements must be equal to or less than the design pressure rating shown in the design pressure chart, sheet 1 of this drawing.
4. Conditions not covered by this drawing are subject to further engineering analysis.

TABLE OF CONTENTS	
SHEET #	DESCRIPTION
1	Typical Elevations, Design Pressures & General Notes
2	Frame Anchoring & Cross Sections
3	Components
4	Bill of Materials & Glazing Details

MAX. OVERALL FRAME DIMENSION	MAX. DAY LITE DIMENSION	GLASS TYPE	DESIGN PRESSURE (PSF)	
			POS.	NEG.
72.0" X 56.0"	32.63" X 49.63"	G1	+30.0	-35.0
63.0" X 44.0"	28.13" X 37.63"	G2	+40.0	-45.0

PRODUCT: HORIZONTAL SLIDING WINDOW
PART OR ASSEMBLY: TYPICAL ELEVATION, DESIGN PRESSURES & GENERAL NOTES

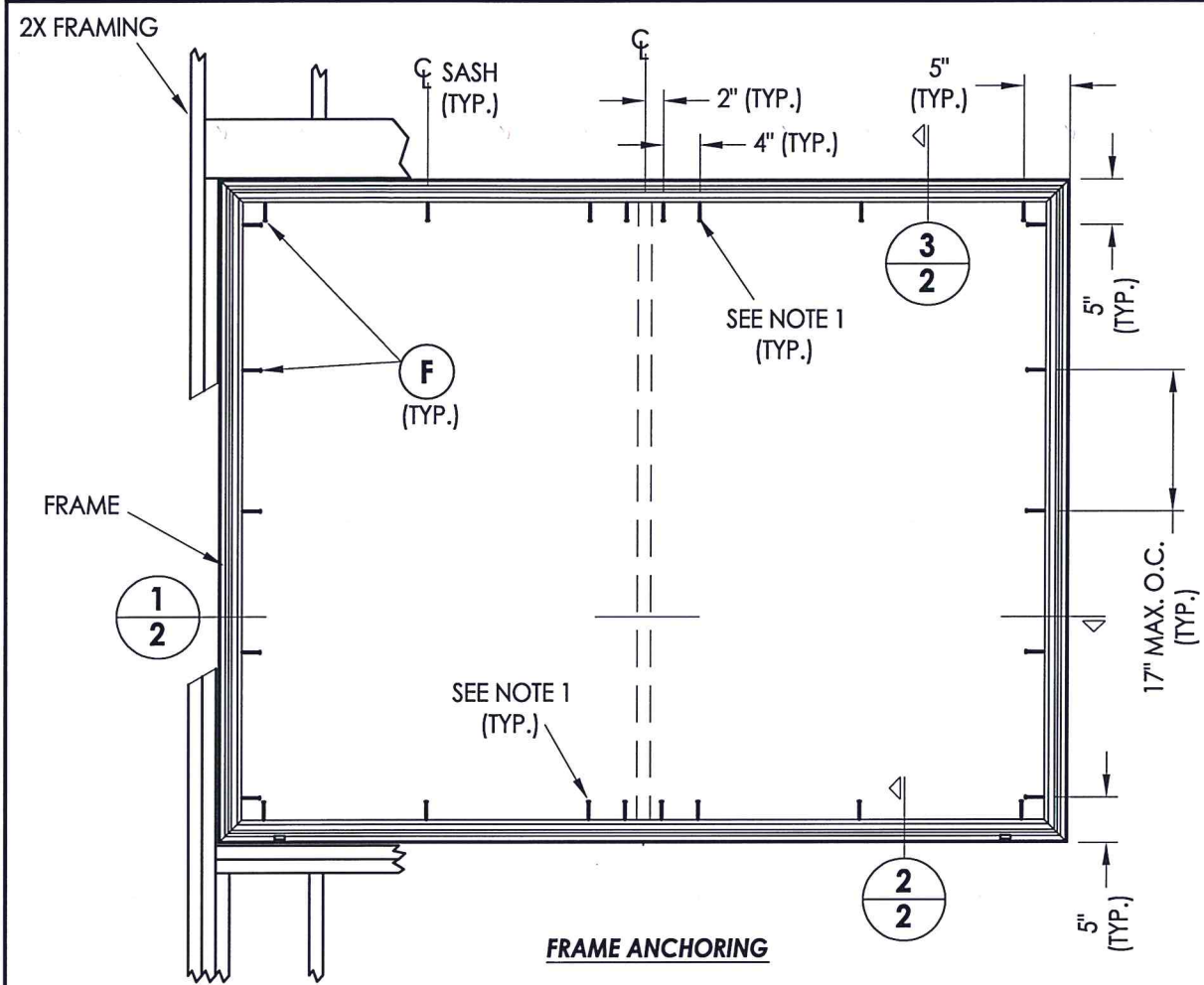
NO.	DATE	BY	REVISIONS

DATE: 4/13/20
SCALE: N.T.S.
DWG. BY: TRJ
CHK. BY: LFS
DRAWING NO.: TX-5024
SHEET 1 OF 4

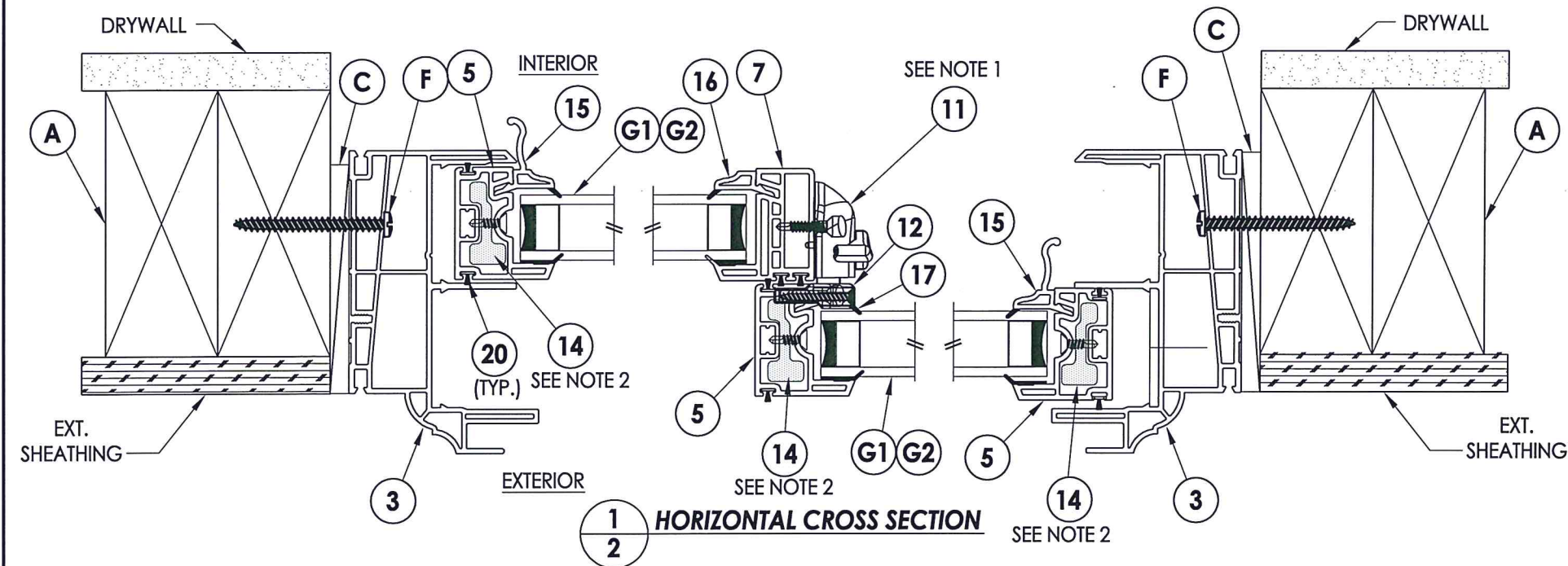
Documents Prepared By: Lyndon F. Schmidt, P.E.
TEXAS P.E. #104123

RW BUILDING CONSULTANTS, INC.
P.O. Box 230 Vairico FL. 33595
Phone No.: 813.659.9197
TEXAS BOARD OF PROFESSIONAL ENGINEERS
CERTIFICATE OF REGISTRATION # F-11852

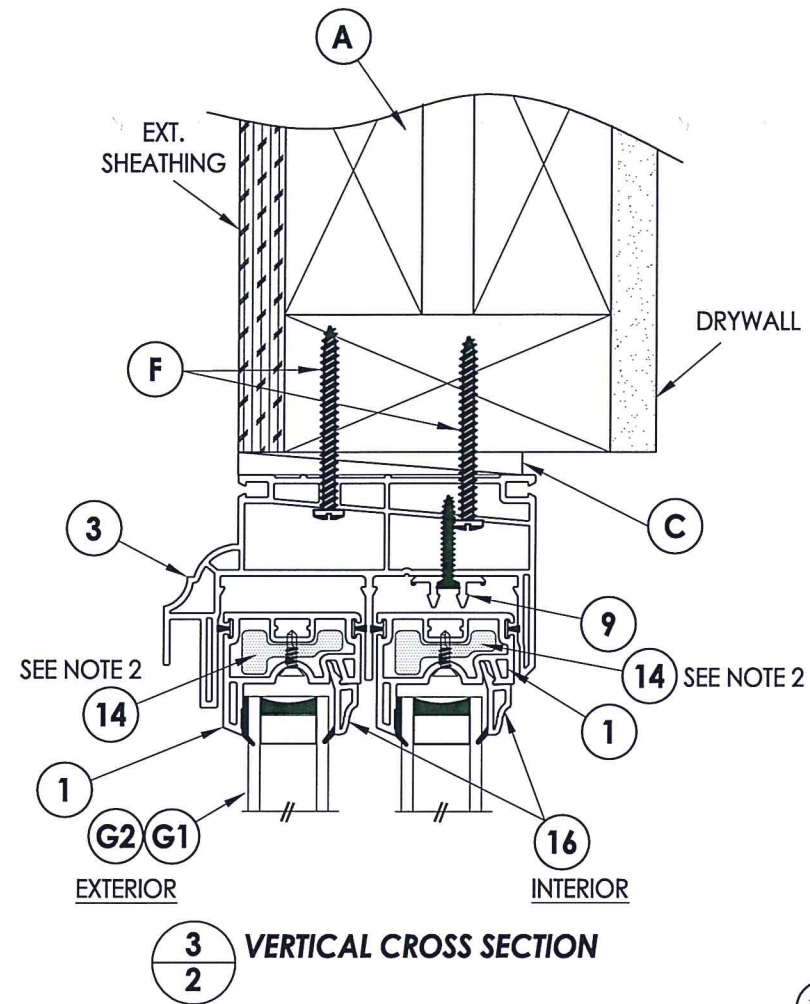
R:\Clients\Sunrise Windows\B - Texas Dept of Ins\TDI - XXX Restorations Series Horizontal Slider Window\C - Drawings\TX-5024.dwg, 2



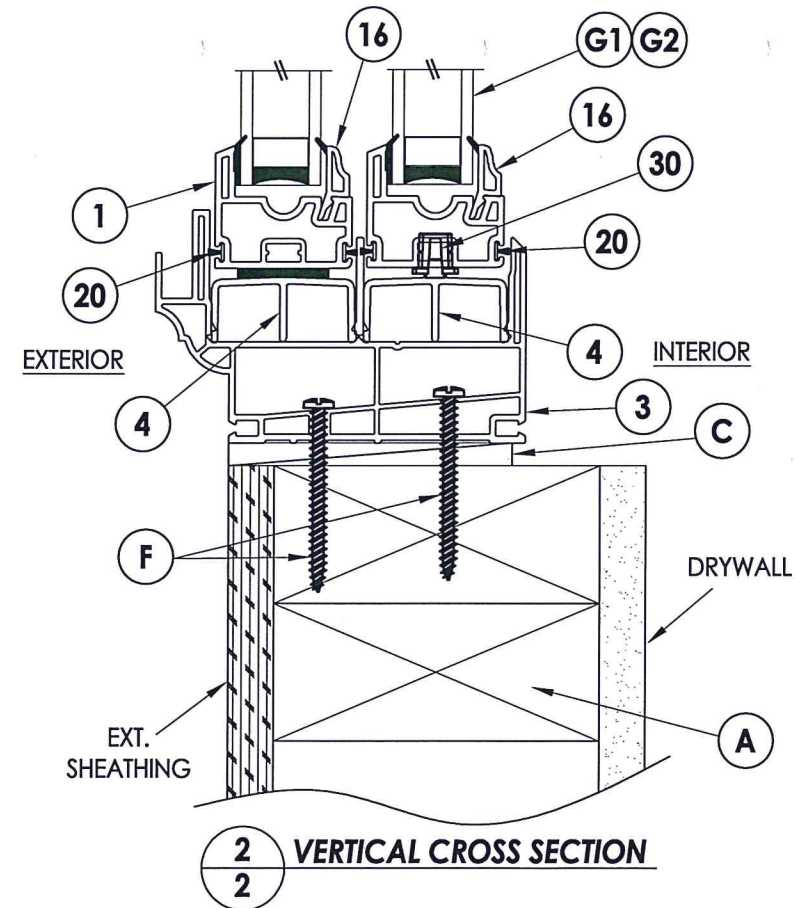
- NOTES:**
- Lock and keeper located 11" from each end of lock/meeting stile.
 - Reinforcement required as follows:
 72" X 56" Frame Size: All stile & rail reinforcement shown
 63" X 44" Frame Size: All stile reinforcement shown



1
2 HORIZONTAL CROSS SECTION



3
2 VERTICAL CROSS SECTION



2
2 VERTICAL CROSS SECTION



Documents Prepared By: Lyndon F. Schmidt, P.E.
TEXAS P.E. #104123

RW BUILDING CONSULTANTS, INC.
P.O. Box 230 Valrico FL 33595
Phone No.: 813.659.9197

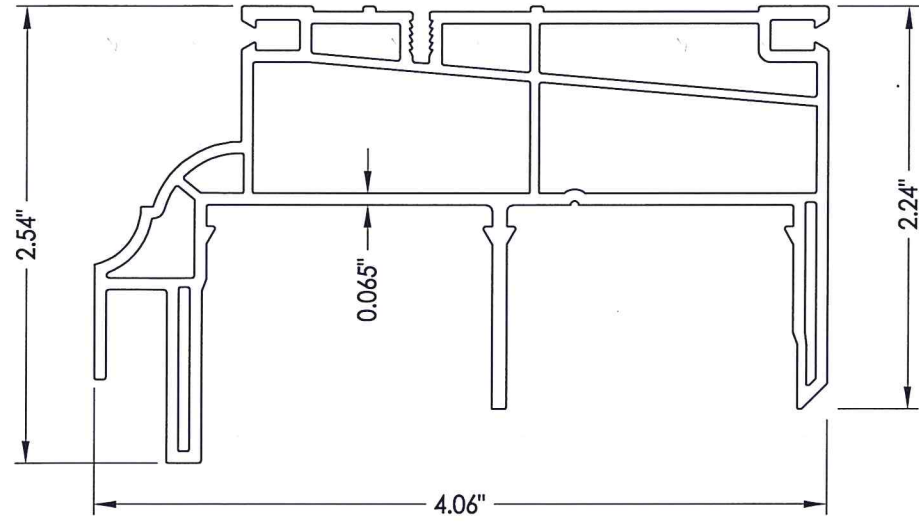
TEXAS BOARD OF PROFESSIONAL ENGINEERS
CERTIFICATE OF REGISTRATION # F-11852

PRODUCT: HORIZONTAL SLIDING WINDOW
 PART OR ASSEMBLY: FRAME ANCHORING & CROSS SECTIONS

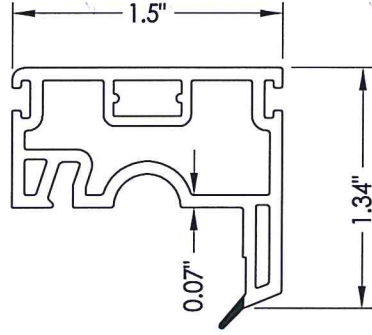
NO.	DATE	BY

DATE: 4/13/20
 SCALE: N.T.S.
 DWG. BY: TRJ
 CHK. BY: LFS
 DRAWING NO.: TX-5024
 SHEET 2 OF 4

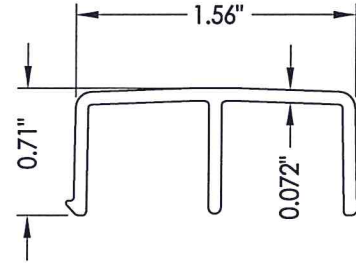
© 2020 R.W. BUILDING CONSULTANTS INC.



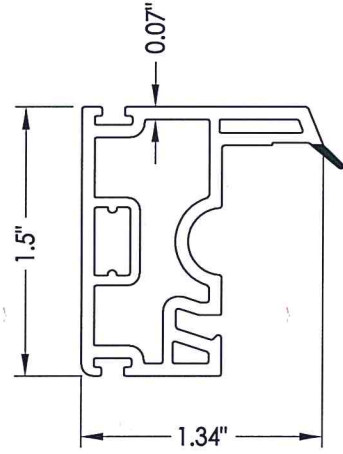
3 FRAME



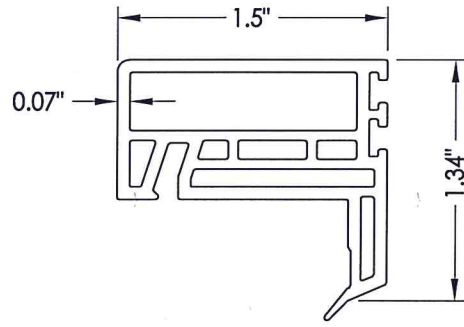
1 TOP/ BOTTOM RAIL



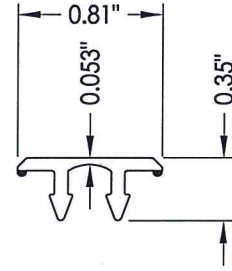
4 SILL TRACK



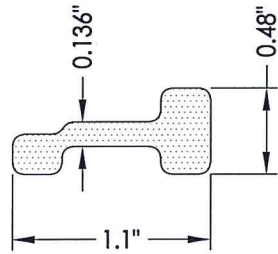
5 STILE



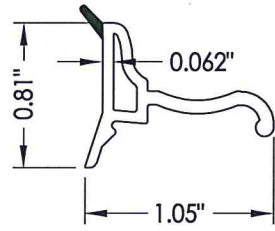
7 LOCK STILE



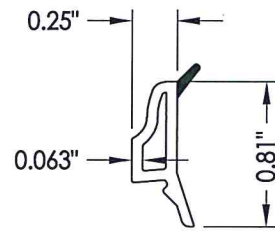
9 SASH LIFT LOCK



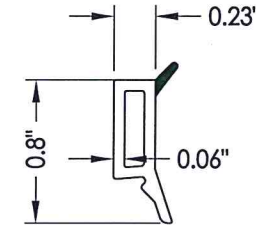
14 STILE/RAIL REINFORCEMENT



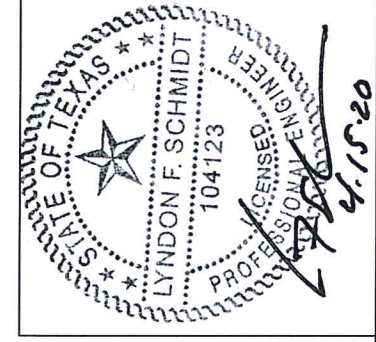
15 PULL STILE GLAZING BEAD



16 CONTOURED GLAZING BEAD



17 MTG. STILE GLAZING BEAD



Documents Prepared By: Lyndon F. Schmidt, P.E.
TEXAS P.E. #104123

RW BUILDING CONSULTANTS, INC.
P.O. Box 230 Valrico FL, 33595
Phone No.: 813.659.9197

TEXAS BOARD OF PROFESSIONAL ENGINEERS
CERTIFICATE OF REGISTRATION # F-11852

PRODUCT: HORIZONTAL SLIDING WINDOW
PART OR ASSEMBLY: COMPONENTS

REVISIONS		NO.	DATE	BY

DATE: 4/13/20
SCALE: N.T.S.
DWG. BY: TRJ
CHK. BY: LFS
DRAWING NO.: TX-5024
SHEET 3 OF 4

