



A DIVISION OF SUNRISE WINDOWS, LTD.

Horizontal Sliding Window "NON-IMPACT"

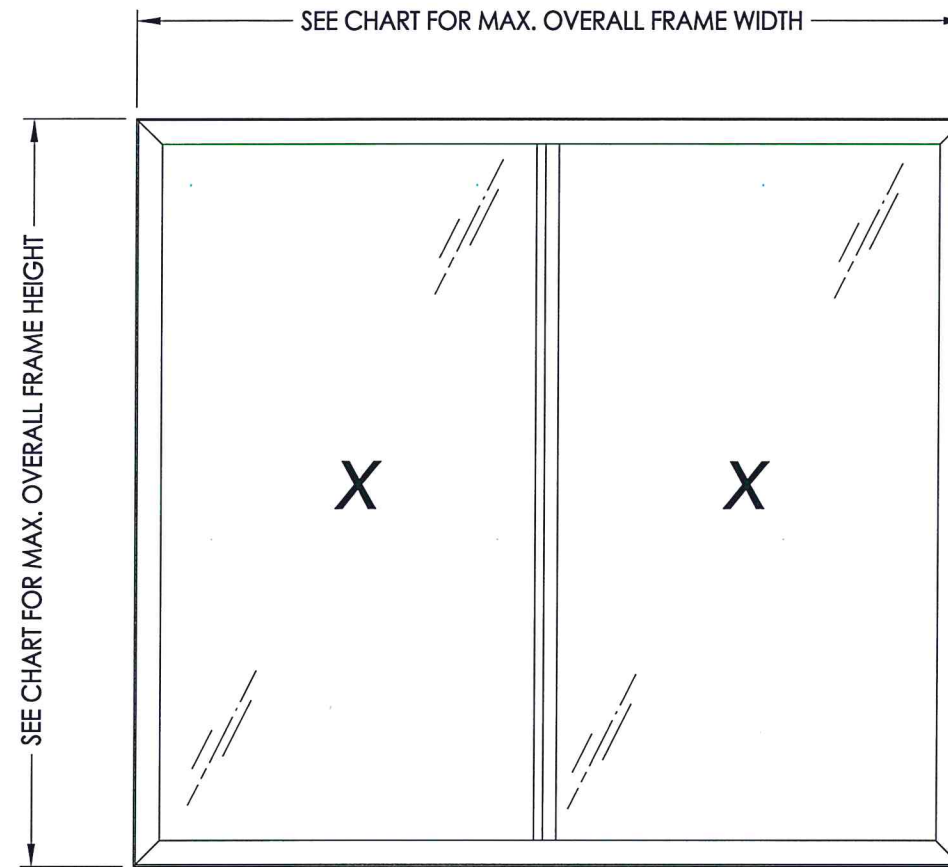
EVALUATED FOR USE IN THE STATE OF TEXAS

The Horizontal Sliding Window described herein complies with the 2006 International Residential Code (IRC), Sections R301 & R613 and the 2006 International Building Code (IBC), Sections 1405.12, 1609, 1714.5, 2403 and 2404 (including Texas revisions) subject to the following conditions:

1. Anchors shall be as listed and spaced as shown in the details. Anchor embedment to base material shall be beyond wall dressing or stucco.
2. When used in areas requiring wind-borne debris protection this product is required to be protected with an impact resistant covering that complies with Section R301.2.1.2 of the IRC and Section 1609.1.2 of the IBC.
3. Allowable design pressure requirements must be equal to or less than the design pressure rating shown in the design pressure chart, sheet 1 of this drawing.
4. Conditions not covered by this drawing are subject to further engineering analysis.

TABLE OF CONTENTS

SHEET #	DESCRIPTION
1	Typical Elevations, Design Pressures & General Notes
2	Frame Anchoring & Cross Section
3	Components
4	Bill of Materials & Glazing Details



MAX. OVERALL FRAME DIMENSION	MAX. DAY LITE DIMENSION	REINFORCEMENT MATERIAL	GLASS TYPE	DESIGN PRESSURE (PSF)	
				POS.	NEG.
72.0" X 60.0"	32.625" X 53.5"	ALUMINUM	G1	+40.0	-40.0
72.0" X 60.0"	32.625" X 53.5"	COMPOSITE	G2	+30.0	-30.0
63.0" X 44.0"	28.125" X 37.125"	ALUMINUM	G1	+45.0	-45.0
63.0" X 44.0"	28.125" X 37.125"	COMPOSITE	G1	+40.0	-40.0



Documents Prepared By: Lyndon F. Schmidt, P.E.
TEXAS P.E. #104123

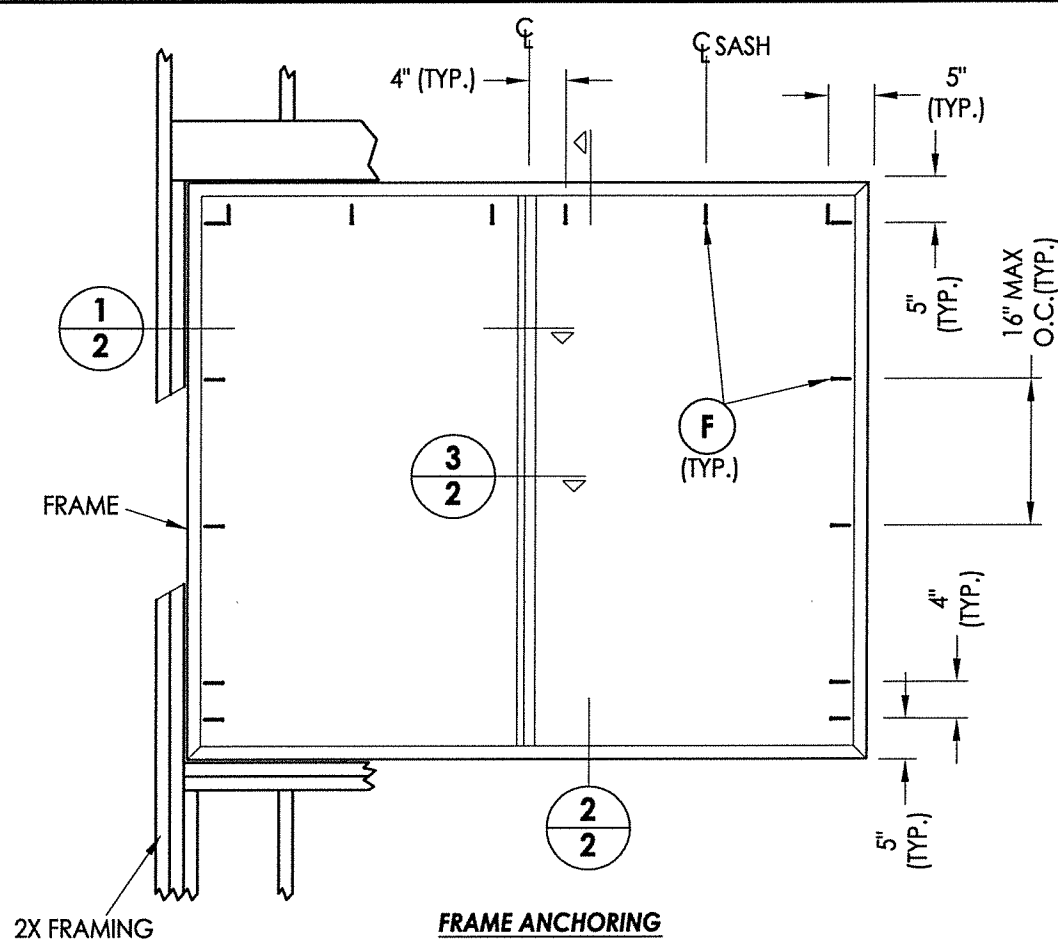
RW BUILDING CONSULTANTS, INC.
P.O. Box 230 Valrico FL 33595
Phone No.: 813.659.9197
TEXAS BOARD OF PROFESSIONAL ENGINEERS
CERTIFICATE OF REGISTRATION # F-11852

PRODUCT: HORIZONTAL SLIDING WINDOW
PART OR ASSEMBLY: TYPICAL ELEVATION, DESIGN PRESSURES & GENERAL NOTES

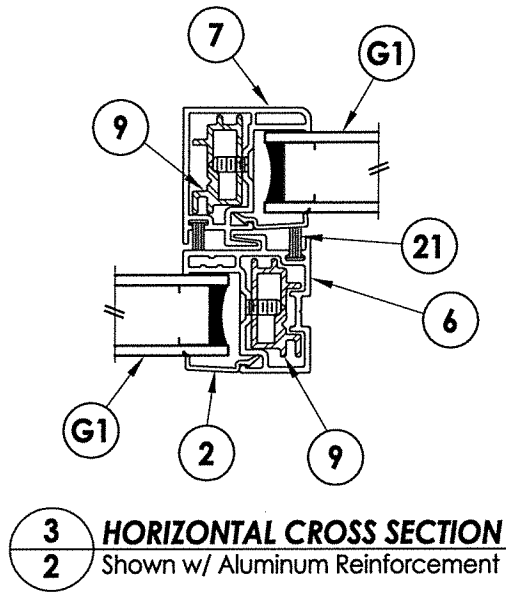
NO.	DATE	BY	REVISIONS

DATE: 5/13/19
SCALE: N.T.S.
DWG. BY: TRJ
CHK. BY: LFS
DRAWING NO.: TX-4870
SHEET 1 OF 4

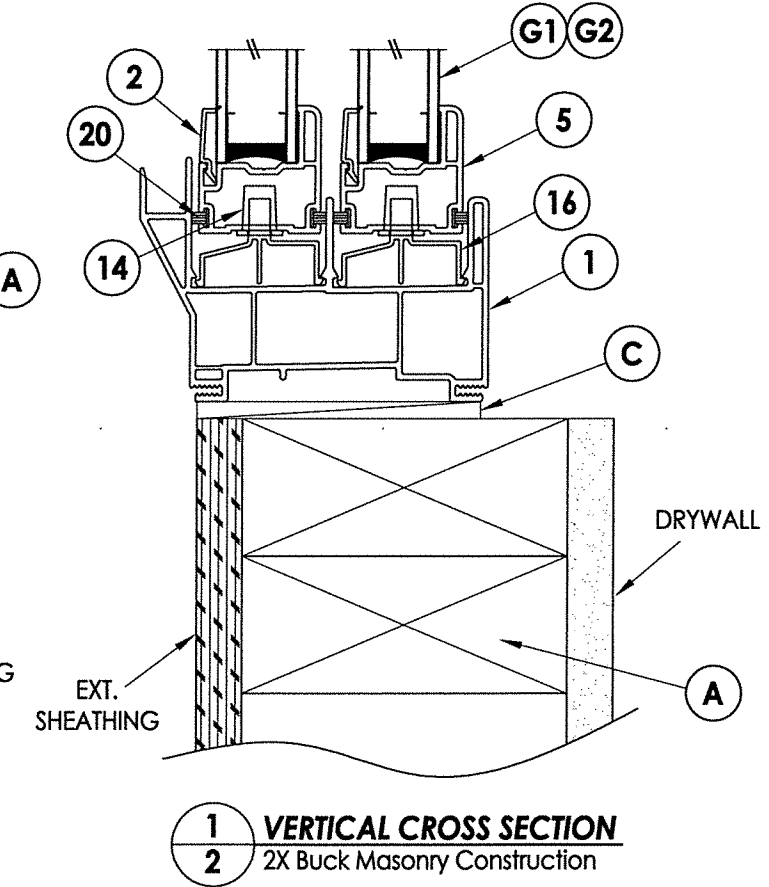
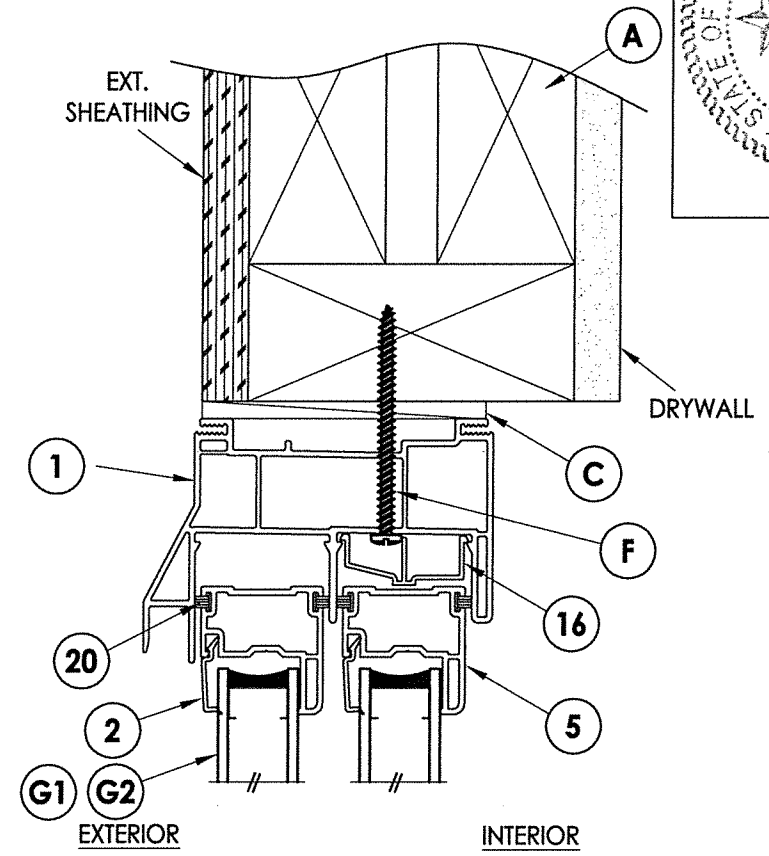
R:\Clients\Sunrise Windows\B - Texas Dept of Ins\TDI - ID XXXX - 7030 C2 Horz Slider Window\C - Drawings\TX-4870-71.dwg, 2-5



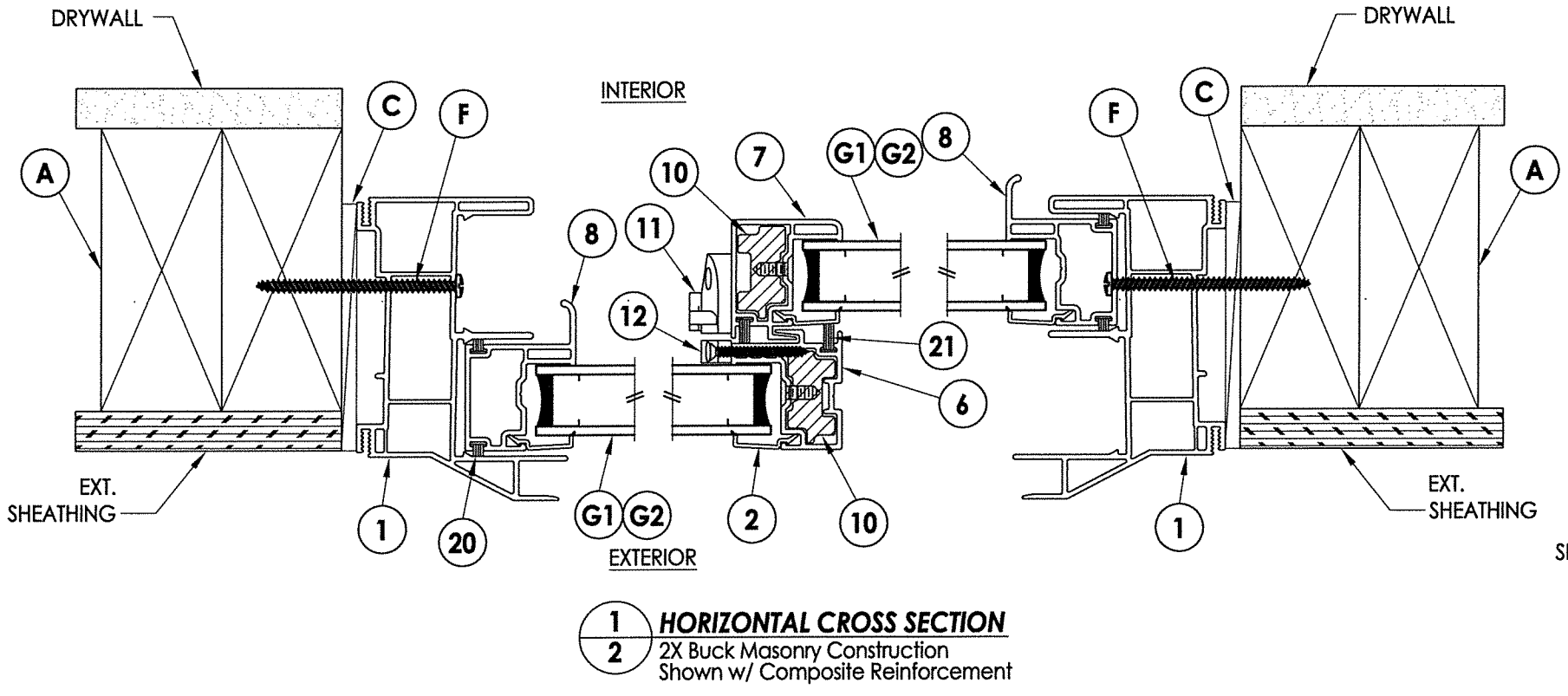
FRAME ANCHORING



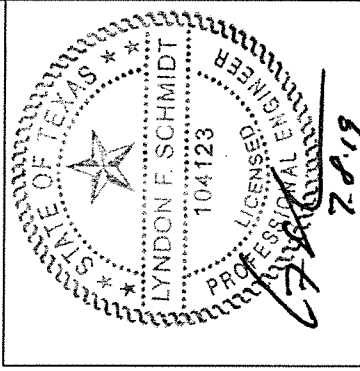
3 HORIZONTAL CROSS SECTION
2 Shown w/ Aluminum Reinforcement



1 VERTICAL CROSS SECTION
2 2X Buck Masonry Construction



1 HORIZONTAL CROSS SECTION
2 2X Buck Masonry Construction
Shown w/ Composite Reinforcement



Documents Prepared By: Lyndon F. Schmidt, P.E.
TEXAS P.E. #104123

RW BUILDING CONSULTANTS, INC.
P.O. Box 230 Valrico FL 33595
Phone No.: 813.659.9197

TEXAS BOARD OF PROFESSIONAL ENGINEERS
CERTIFICATE OF REGISTRATION # F-11852

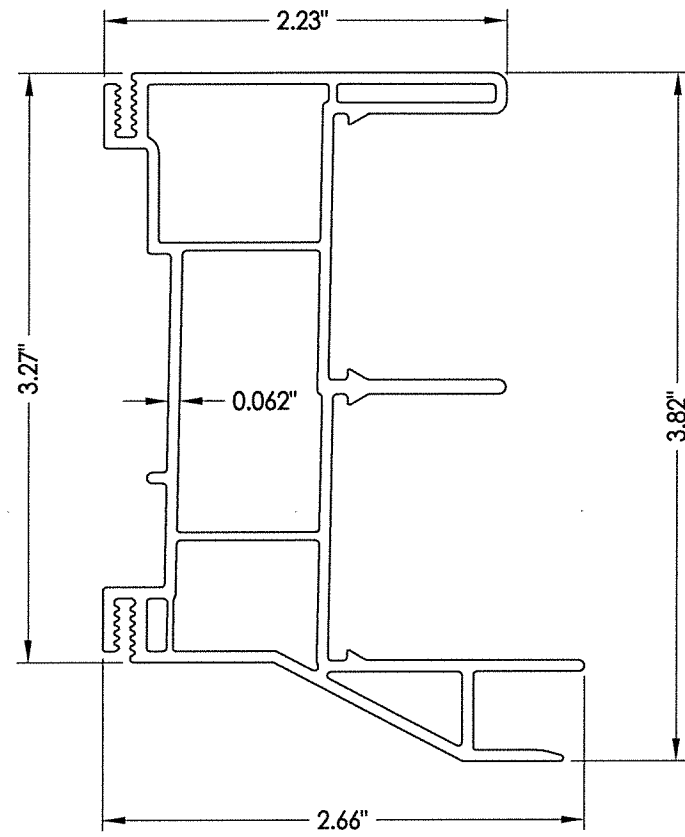
PRODUCT: HORIZONTAL SLIDING WINDOW

PART OR ASSEMBLY: FRAME ANCHORING & CROSS SECTION

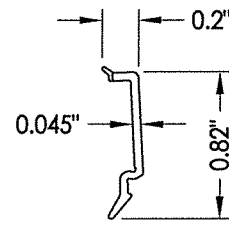
NO.	DATE	BY

DATE: 5/13/19
SCALE: N.T.S.
DWG. BY: TRJ
CHK. BY: LFS
DRAWING NO.: TX-4870
SHEET 2 OF 4

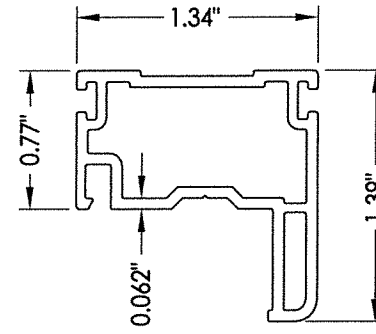
© 2019 R.W. BUILDING CONSULTANTS INC.



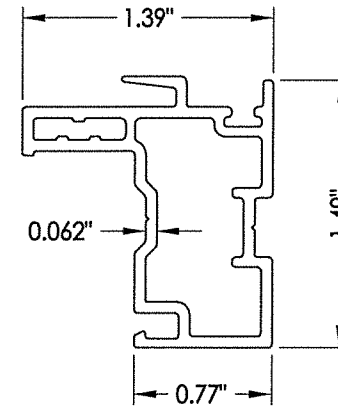
1 FRAME



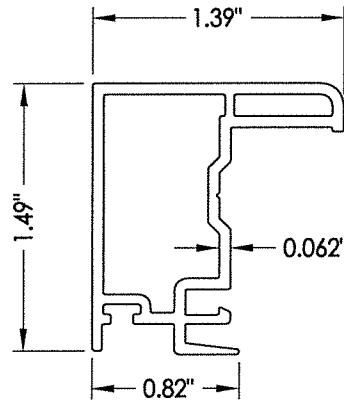
2 GLAZING BEAD



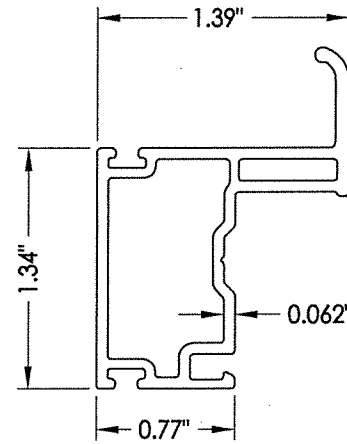
5 TOP & BOTTOM RAIL



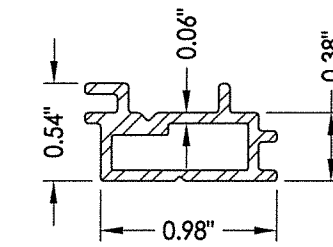
6 MEETING STILE



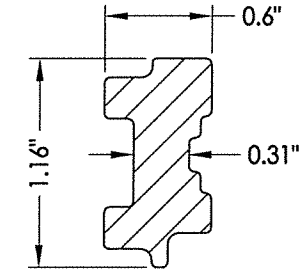
7 LOCK STILE



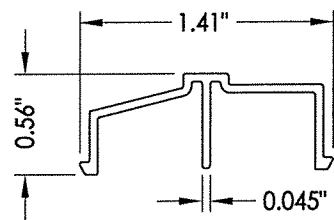
8 PULL STILE



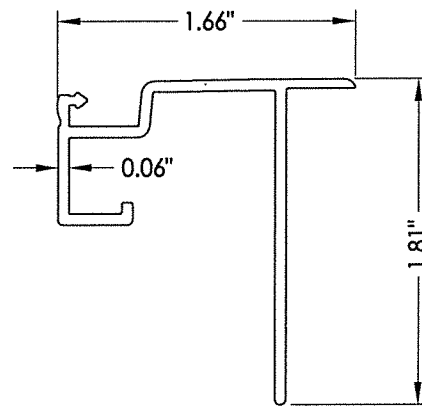
9 ALUMINUM REINFORCEMENT



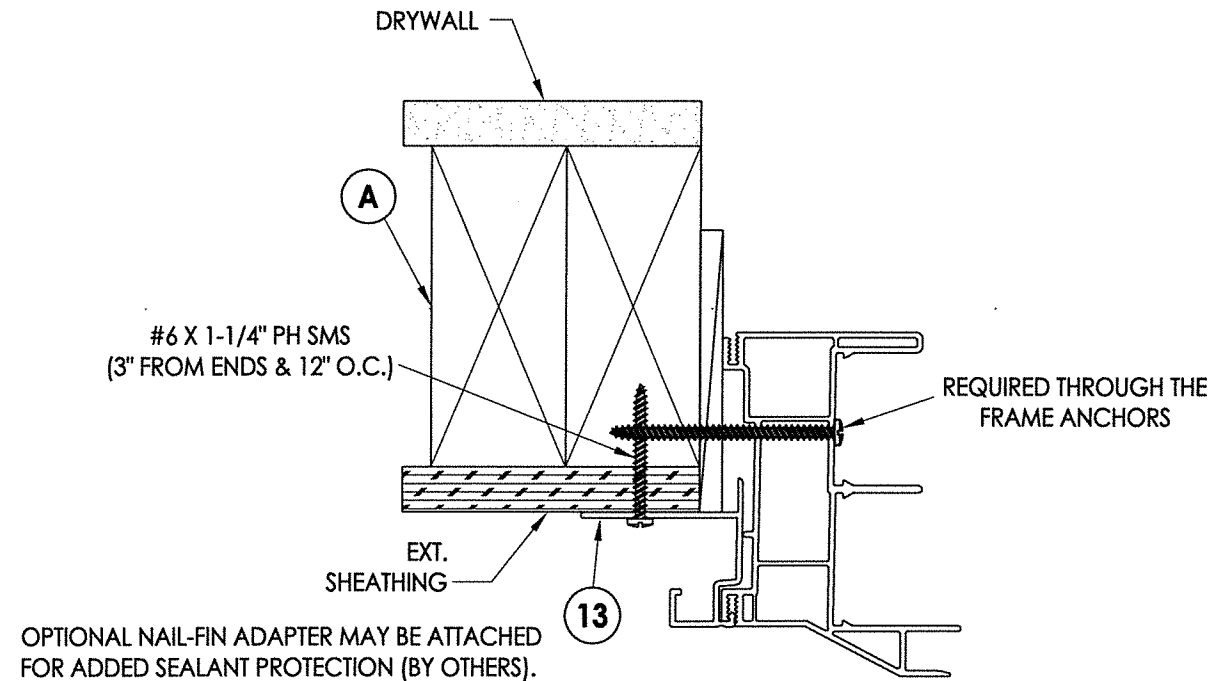
10 COMPOSITE REINFORCEMENT



16 SILL TRACK/ANTI-LIFT BLOCK

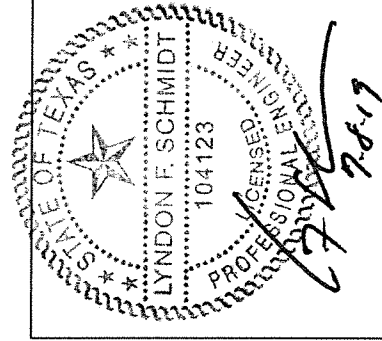


13 NAIL-FIN ADAPTER



OPTIONAL NAIL-FIN ADAPTER MAY BE ATTACHED FOR ADDED SEALANT PROTECTION (BY OTHERS). ALL THROUGH THE FRAME ANCHORS SHOWN ARE STILL REQUIRED.

OPTIONAL NAIL-FIN ADAPTER
(NON-STRUCTURAL - FOR SEALANT ONLY)



Documents Prepared By: Lyndon F. Schmidt, P.E.
TEXAS P.E. #104123

RW BUILDING CONSULTANTS, INC.
P.O. Box 230 Vairico FL 33595
Phone No.: 813.659.9197
TEXAS BOARD OF PROFESSIONAL ENGINEERS
CERTIFICATE OF REGISTRATION # F-11852

PRODUCT:	HORIZONTAL SLIDING WINDOW
PART OR ASSEMBLY:	COMPONENTS

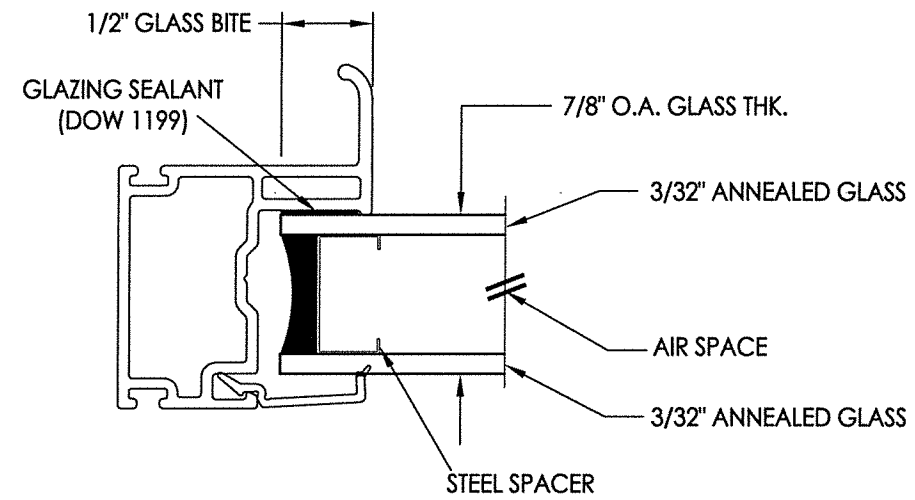
NO.	DATE	BY	REVISIONS

DATE:	5/13/19
SCALE:	N.T.S.
DWG. BY:	TRJ
CHK. BY:	LFS
DRAWING NO.:	TX-4870
SHEET	3 of 4

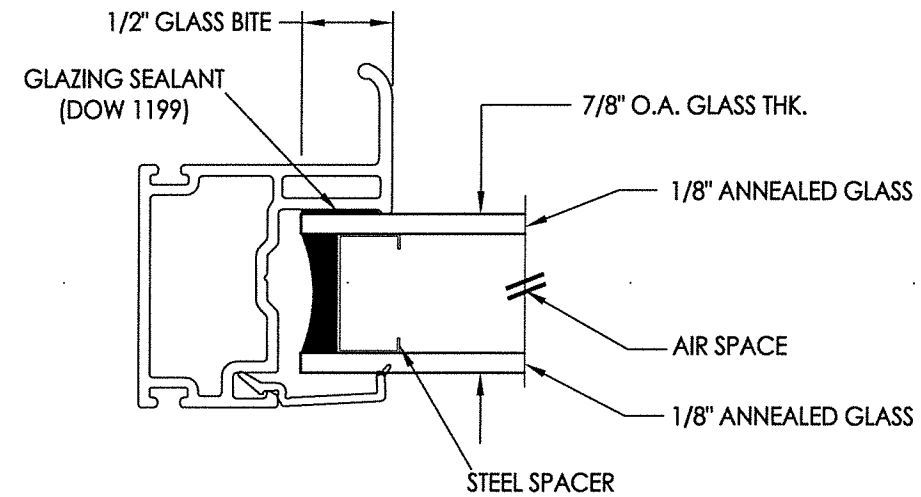
BILL OF MATERIALS

ITEM #	DESCRIPTION	MATERIAL
A	2X FRAMING (SG >= 0.42)	WOOD
C	3/16" MAX. SHIM SPACE	-
F	#8 X 2-1/2" PPH SMS (1-1/16" MIN. EMBEDMENT)	STEEL
1	EXTRUDED VINYL FRAME (704)*	RIGID PVC
2	EXTRUDED VINYL GLAZING BEAD (716A)*	RIGID PVC
5	TOP & BOTTOM RAIL (709)*	RIGID PVC
6	MEETING STILE (707A)*	RIGID PVC
7	LOCK STILE (706)*	RIGID PVC
8	PULL STILE (715)*	RIGID PVC
9	ALUMINUM REINFORCEMENT (746)	6063-T5 ALUM
10	COMPOSITE REINFORCEMENT (948)	COMP
11	SASH LOCK	-
12	KEEPER	-
13	EXTRUDED VINYL NAIL-FIN ADAPTER (929)*	RIGID PVC
14	ROLLER TRACK*	RIGID PVC
16	SILL TRACK/ANTI-LIFT BLOCK (747)	6063 - T5 ALUM
20	WEATHERSTRIP (.187" X .220")	-
21	WEATHERSTRIP (.187" X .350")	-

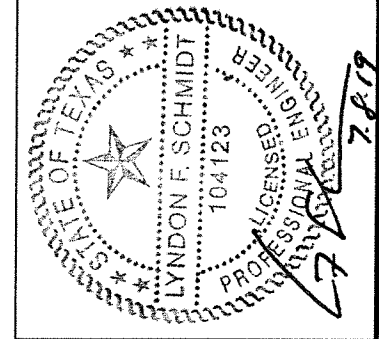
* THE APPROVED WHITE RIGID PVC EXTERIOR EXTRUSIONS FOR WINDOWS ARE TO BE PRODUCED BY EXTRUDERS LICENSEES IN "AAMA CERTIFICATION PROGRAMS FOR RIGID PVC EXTRUSIONS".



G1 GLAZING DETAIL



G2 GLAZING DETAIL



Documents Prepared By: Lyndon F. Schmidt, P.E.
TEXAS P.E. #104123

R.W. BUILDING CONSULTANTS, INC.
P.O. Box 230 Valrico FL 33595
Phone No.: 813.659.9197

TEXAS BOARD OF PROFESSIONAL ENGINEERS
CERTIFICATE OF REGISTRATION # F-11852

PRODUCT: HORIZONTAL SLIDING WINDOW

PART OR ASSEMBLY: BILL OF MATERIALS & GLAZING DETAILS

NO.	DATE	BY	REVISIONS

DATE: 5/13/19

SCALE: N.T.S.

DWG. BY: TRJ

CHK. BY: LFS

DRAWING NO.:

TX-4870

SHEET 4 OF 4