



# Single Hung Window

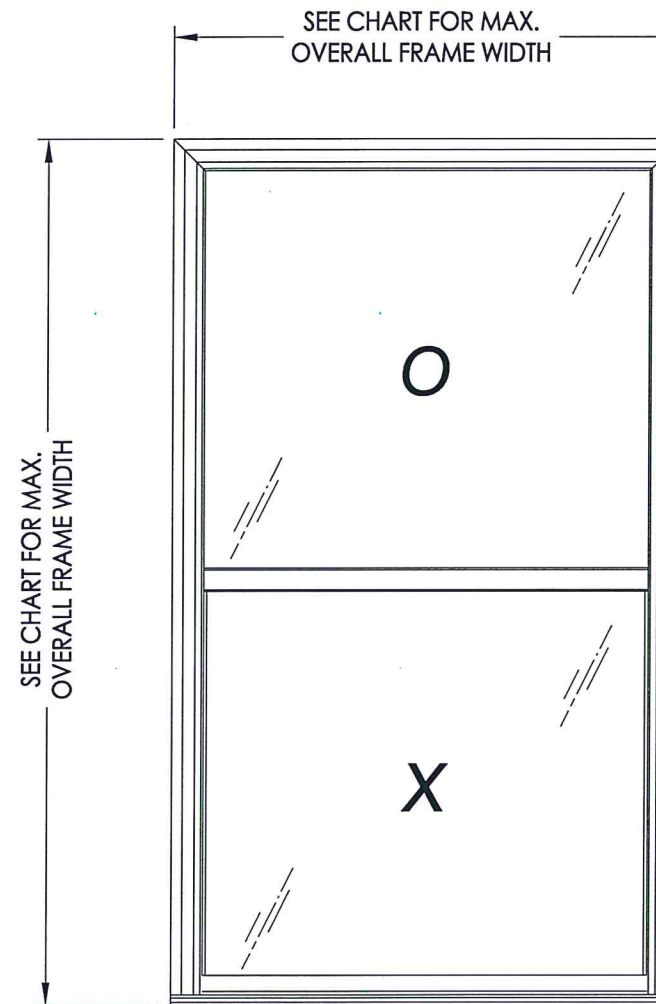
## "NON-IMPACT"

### EVALUATED FOR USE IN THE STATE OF TEXAS

The Single Hung Window described herein complies with the 2006 International Residential Code (IRC), Sections R301 & R613 and the 2006 International Building Code (IBC), Sections 1405.12, 1609, 1714.5, 2403 and 2404 (including Texas revisions) subject to the following conditions:

1. Anchors shall be as listed and spaced as shown in the details. Anchor embedment to base material shall be beyond wall dressing or stucco.
2. When used in areas requiring wind-borne debris protection this product is required to be protected with an impact resistant covering that complies with Section R301.2.1.2 of the IRC and Section 1609.1.2 of the IBC.
3. Allowable design pressure requirements must be equal to or less than the design pressure rating shown in the design pressure chart, sheet 1 of this drawing.
4. Conditions not covered by this drawing are subject to further engineering analysis.

TABLE OF CONTENTS	
SHEET #	DESCRIPTION
1	Typical Elevations, Design Pressures & General Notes
2	Frame Anchoring & Cross Section
3	Components
4	Bill of Materials & Glazing Details



MAX. OVERALL FRAME DIMENSION	MAX DAY LITE DIMENSION (OPERABLE)	MAX DAY LITE DIMENSION (FIXED)	GLASS TYPE	DESIGN PRESSURE (PSF)	
				POS.	NEG.
44.0" X 75.0"	37.88" x 33.88"	38.63" x 33.88"	G1	+50.0	-50.0



Documents Prepared By: Lyndon F. Schmidt, P.E.  
TEXAS P.E. #104123

RW BUILDING CONSULTANTS, INC.  
P.O. Box 230 Valrico FL, 33595  
Phone No.: 813.659.9197

TEXAS BOARD OF PROFESSIONAL ENGINEERS  
CERTIFICATE OF REGISTRATION # F-11852

PRODUCT: SINGLE HUNG WINDOW  
PART OR ASSEMBLY: TYPICAL ELEVATION, DESIGN PRESSURES & GENERAL NOTES

NO.	DATE	BY	REVISIONS

DATE: 6/20/19  
SCALE: N.T.S.  
DWG. BY: TRJ  
CHK. BY: LFS  
DRAWING NO.: TX-4941  
SHEET 1 OF 4

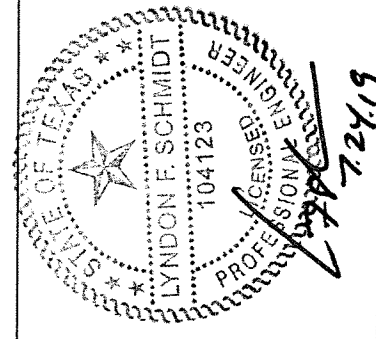
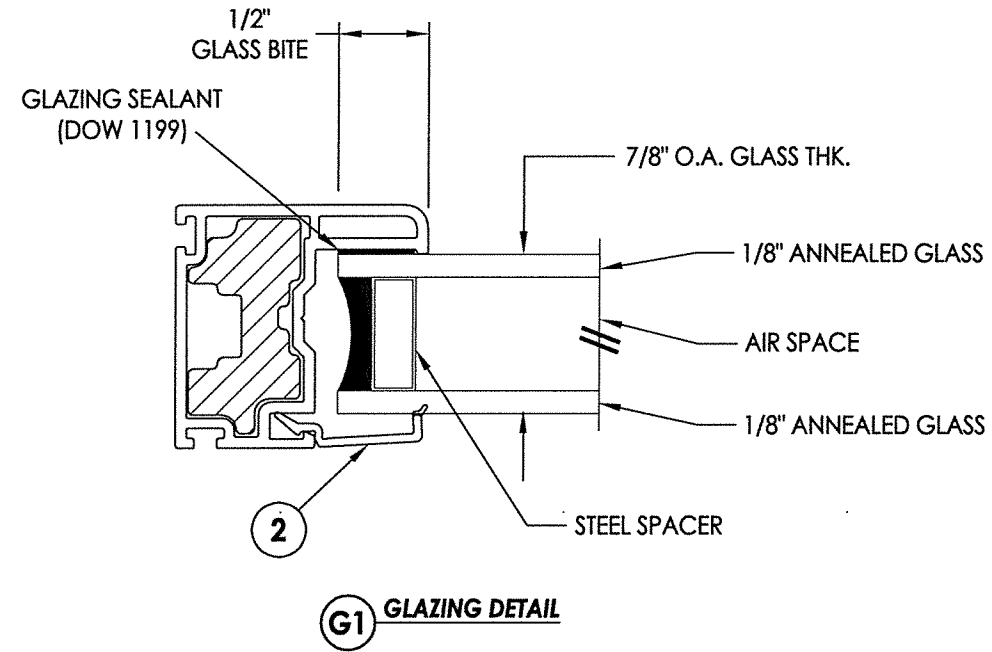




**BILL OF MATERIALS**

ITEM #	DESCRIPTION	MATERIAL
A	2X FRAMING (SG >= 0.42)	WOOD
C	3/16" MAX. SHIM SPACE	-
F	#8 X 2-1/2" PPH SMS (1-3/16" MIN. EMBEDMENT)	STEEL
1	HEAD (781F)*	RIGID PVC
2	GLAZING BEAD (716A)*	RIGID PVC
3	JAMB (783F)*	RIGID PVC
4	SILL (782F)*	RIGID PVC
5	STILE (708)*	RIGID PVC
6	FIXED MEETING RAIL (777)*	RIGID PVC
7	LOCK RAIL (706)*	RIGID PVC
8	BOTTOM LIFT RAIL (705)*	RIGID PVC
11	SASH LOCK	-
12	KEEPER	-
14	LOCK RAIL REINFORCEMENT (948)	COMPOSITE
15	STILE/RAIL REINFORCEMENT (952)	COMPOSITE
16	FIXED MEETING RAIL REINFORCEMENT (739)	ALUM
19	SILL RISER (719)*	RIGID PVC
24	BULB GASKET (AMESBURY)	FOAM

\* THE APPROVED WHITE RIGID PVC EXTERIOR EXTRUSIONS FOR WINDOWS ARE TO BE PRODUCED BY EXTRUDERS LICENSEES IN "AAMA CERTIFICATION PROGRAMS FOR RIGID PVC EXTRUSIONS".



Documents Prepared By: Lyndon F. Schmidt, P.E.  
TEXAS P.E. #104123

**R.W.** BUILDING CONSULTANTS, INC.  
P.O. Box 230 Valrico FL 33595  
Phone No.: 813.659.9197  
TEXAS BOARD OF PROFESSIONAL ENGINEERS  
CERTIFICATE OF REGISTRATION # F-11852

PRODUCT: SINGLE HUNG WINDOW  
PART OR ASSEMBLY: BILL OF MATERIALS & GLAZING DETAILS

NO.	DATE	BY	REVISIONS

DATE: 6/20/19  
SCALE: N.T.S.  
DWG. BY: TRJ  
CHK. BY: LFS  
DRAWING NO.: TX-4941  
SHEET 4 OF 4