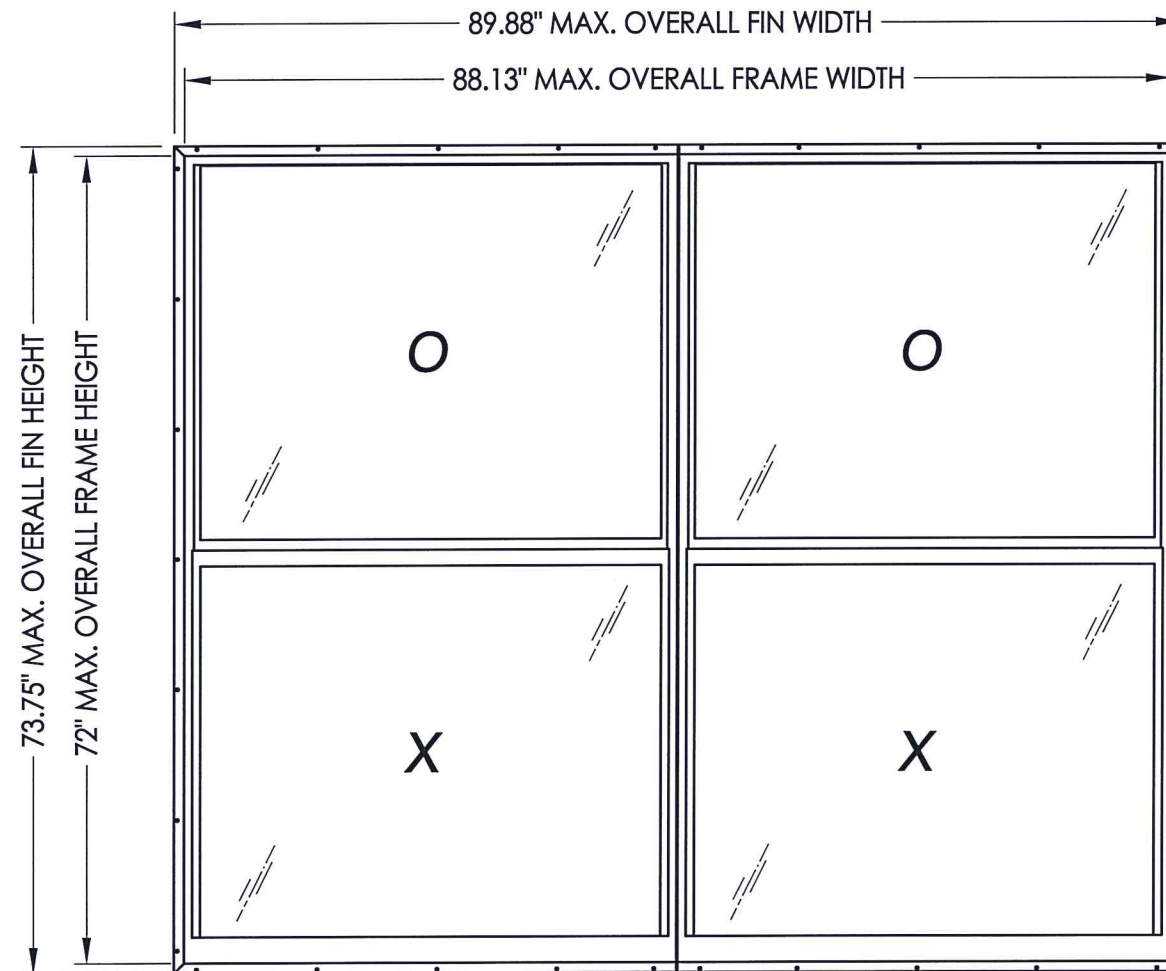


Documents Prepared By: Lyndon F. Schmidt, P.E.
 TEXAS P.E. #104123

RW BUILDING CONSULTANTS, INC.
 P.O. Box 230 Valrico FL 33595
 Phone No.: 813.659.9197

TEXAS BOARD OF PROFESSIONAL ENGINEERS
 CERTIFICATE OF REGISTRATION # F-11852

SERIES 300/85 HP TWIN MULLED ALUMINUM SINGLE HUNG WINDOW w/ NAILING FIN "NON-IMPACT"



EVALUATED FOR USE IN THE STATE OF TEXAS

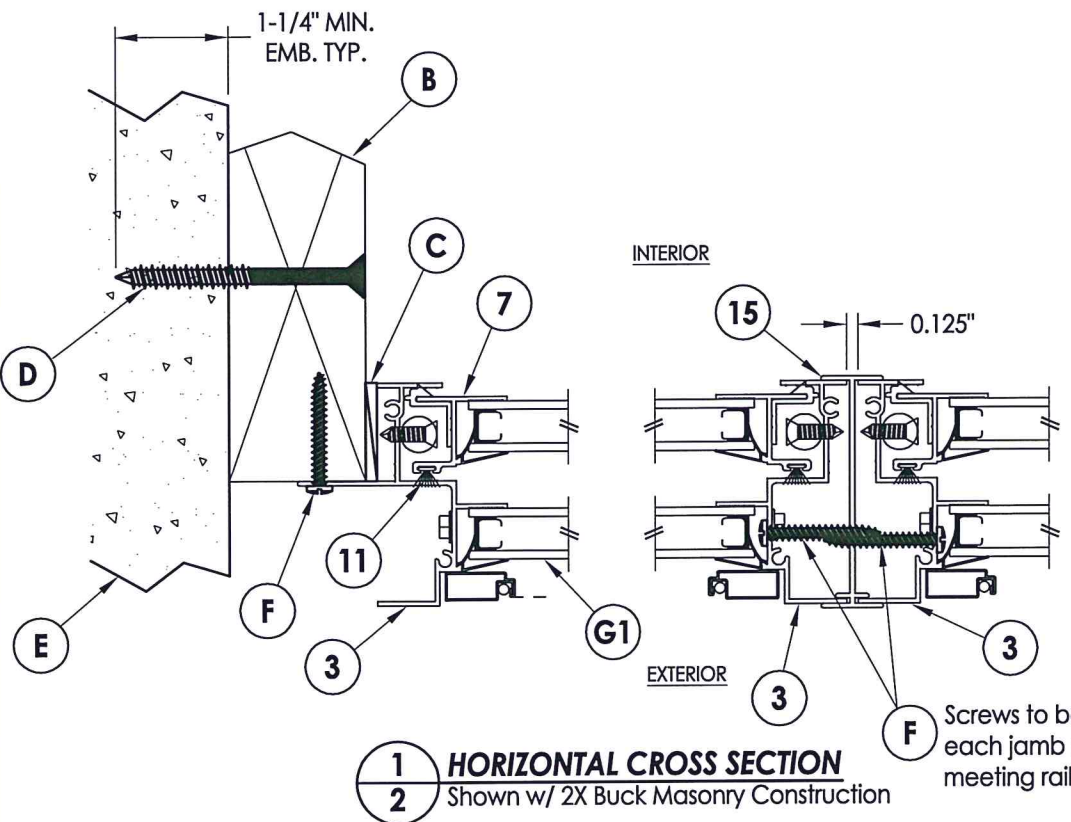
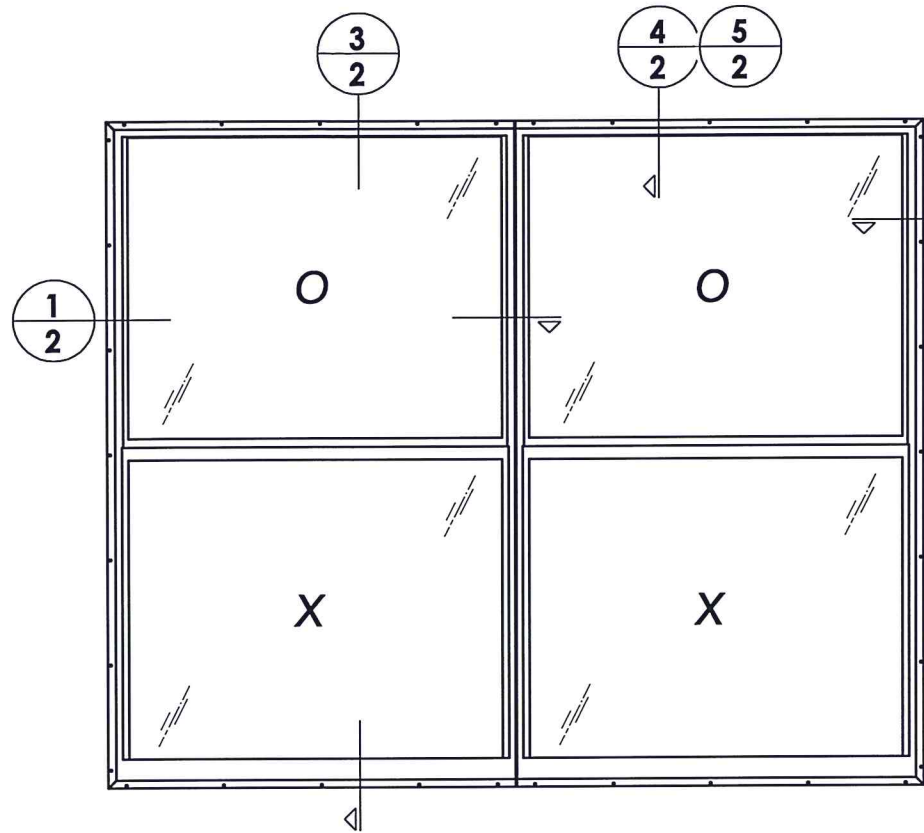
The Single Hung Window described herein complies with the 2006 International Residential Code (IRC), Sections R301 & R613 and the 2006 International Building Code (IBC), Sections 1405.12, 1609, 1714.5, 2403 and 2404 (including Texas revisions) subject to the following conditions:

1. Anchors shall be as listed and spaced as shown in the details. Anchor embedment to base material shall be beyond wall dressing or stucco.
2. When used in areas requiring wind-borne debris protection this product is required to be protected with an impact resistant covering that complies with Section R301.2.1.2 of the IRC and Section 1609.1.2 of the IBC.
3. Allowable design pressure requirements must be equal to or less than the design pressure rating shown in the design pressure chart, sheet 1 of this drawing.
4. Conditions not covered by this drawing are subject to further engineering analysis.

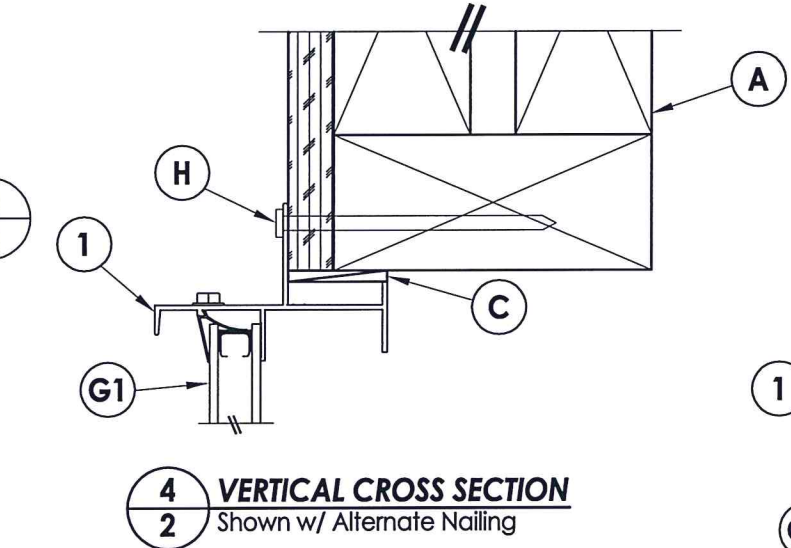
TABLE OF CONTENTS	
SHEET#	DESCRIPTION
1	Typical elevations, design pressures and general notes
2	Cross sections
3	Buck & frame anchoring
4	Bill of materials, glazing details & components

MAX. O.A. FRAME DIMENSION	MAX. D.L.O. DIMENSION	GLAZING	DESIGN PRESSURE (PSF)	
			POSITIVE	NEGATIVE
88.13" X 72.0"	41.0" X 33.31"	G1	+50.0	-50.0

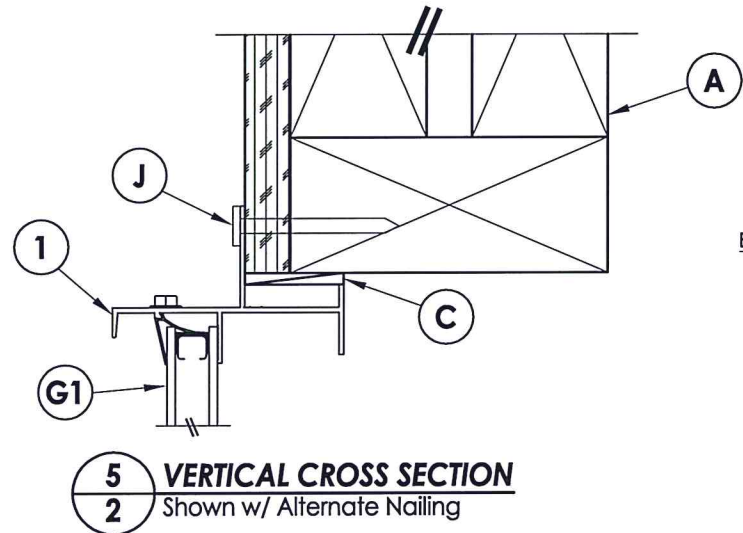
PRODUCT:	ATRIUM HUNG WINDOW	
PART OR ASSEMBLY:	SINGLE HUNG WINDOW	
TYPICAL ELEVATION, DESIGN PRESSURES & GENERAL NOTES		
NO.	DATE	BY
REVISIONS		
DATE: 11/03/15		
SCALE: N.T.S.		
DWG. BY: JK		
CHK. BY: LFS		
DRAWING NO.: TX-4575		
SHEET 1 OF 4		



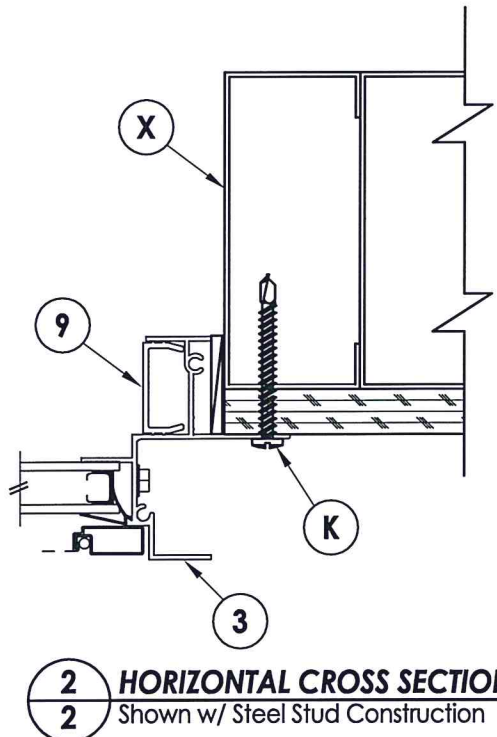
1 HORIZONTAL CROSS SECTION
2 Shown w/ 2X Buck Masonry Construction



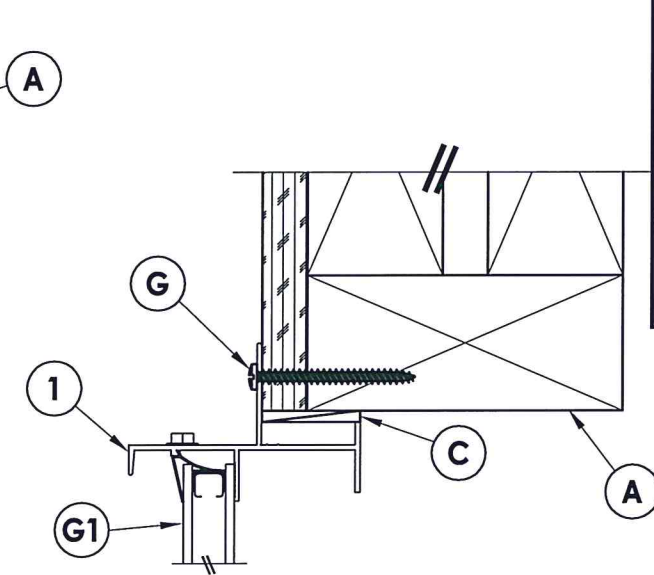
4 VERTICAL CROSS SECTION
2 Shown w/ Alternate Nailing



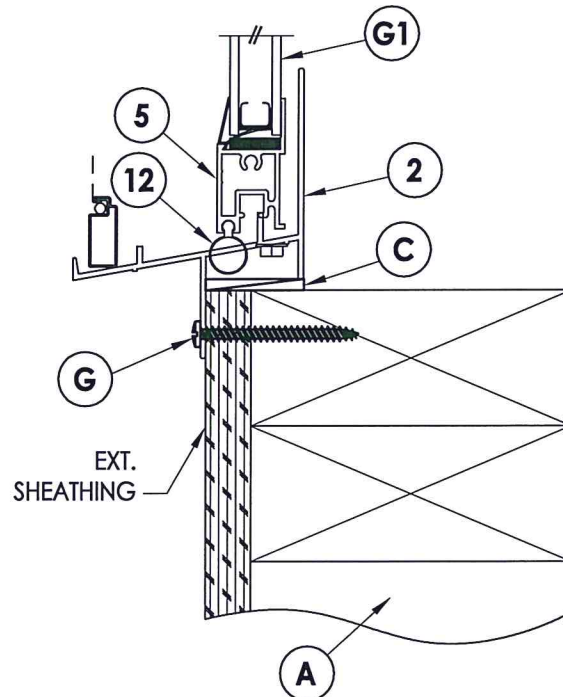
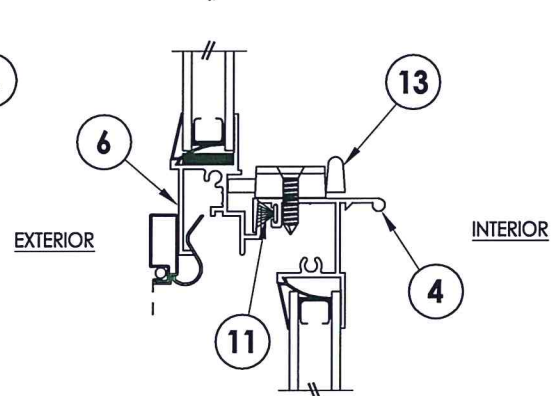
5 VERTICAL CROSS SECTION
2 Shown w/ Alternate Nailing



2 HORIZONTAL CROSS SECTION
2 Shown w/ Steel Stud Construction



3 VERTICAL CROSS SECTION
2 Shown w/ Stud Construction

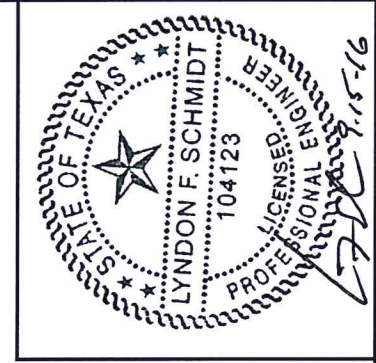
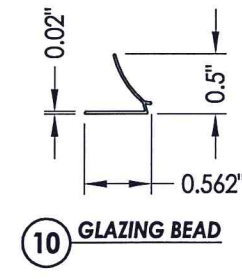
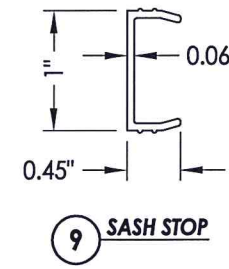
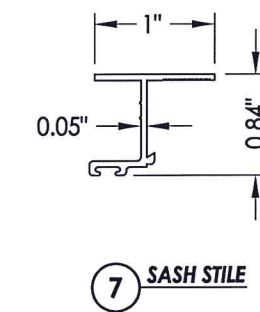
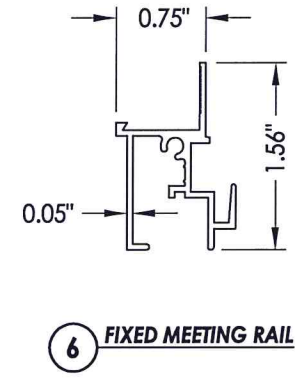
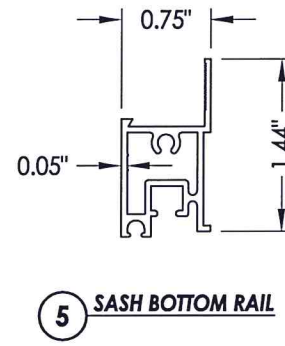
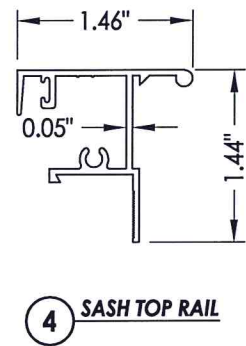
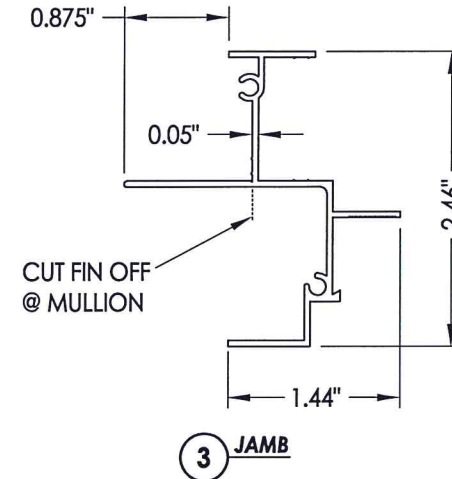
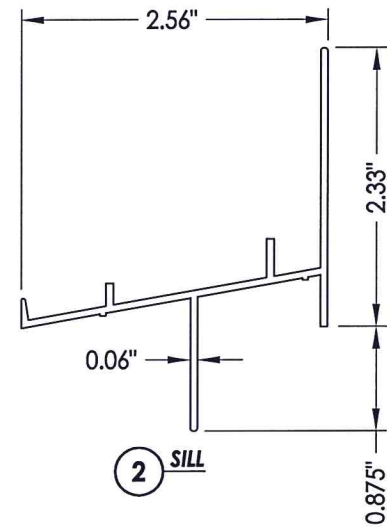
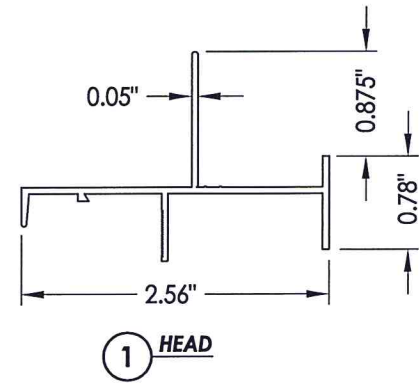
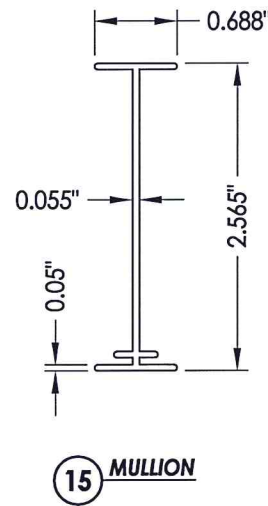
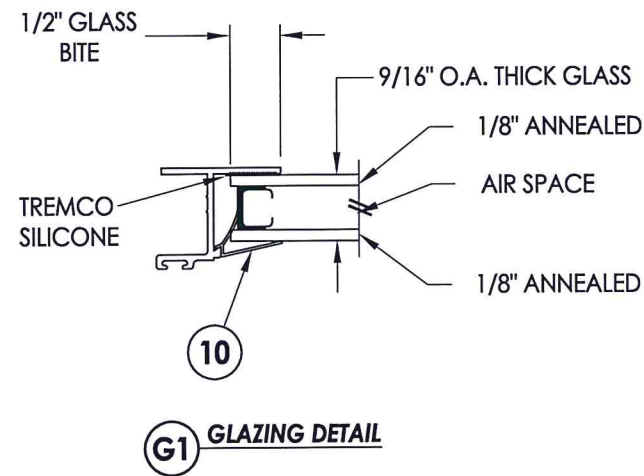


Documents Prepared By: Lyndon F. Schmidt, P.E.
 TEXAS P.E. #104123
RW BUILDING CONSULTANTS, INC.
 P.O. Box 230 Valrico FL 33595
 Phone No.: 813.659.9197
 TEXAS BOARD OF PROFESSIONAL ENGINEERS
 CERTIFICATE OF REGISTRATION # F-11852

PRODUCT:	ATRIUM HUNG WINDOW	
PART OR ASSEMBLY:	CROSS SECTIONS	
NO.	DATE	BY
		REVISIONS
DATE:	11/03/15	
SCALE:	N.T.S.	
DWG. BY:	JK	
CHK. BY:	LFS	
DRAWING NO.:	TX-4575	
SHEET	2	OF 4

BILL OF MATERIALS

ITEM #	DESCRIPTION	MATERIAL
A	2X FRAMING (SG >= 0.42)	WOOD
B	2X BUCK (SG >= 0.42)	WOOD
C	1/8" MAX. SHIM SPACE	-
D	1/4" PFH ELCO OR ITW CONCRETE SCREW (1-1/4" MIN. EMBEDMENT)	STEEL
E	MASONRY - 3,000 PSI MIN. CONCRETE CONFORMING TO ACI 301 OR HOLLOW BLOCK CONFORMING TO ASTM C90	CONCRETE
F	#8 X 1" PH SMS (7/8" MIN. EMBEDMENT)	STEEL
G	#8 X 1-1/2" PH SMS (7/8" MIN. EMBEDMENT)	STEEL
H	10d COMMON NAIL (0.148" Ø Shank, 0.312" Ø Head)	STEEL
J	10 GAUGE ROOFING NAIL (1-3/4" LENGTH w/ 7/16" Ø Head)	STEEL
K	#10 SELF-DRILLING SMS	STEEL
X	METAL STUD Min. Thk 0.033" (ASTM A653 Grade 33, Fy=33 ksi min., Fu=45 ksi min.)	-
1	HEAD	6063-T5 ALUM
2	SILL	6063-T5 ALUM
3	JAMB	6063-T5 ALUM
4	SASH TOP RAIL	6063-T5 ALUM
5	SASH BOTTOM RAIL	6063-T5 ALUM
6	FIXED MEETING RAIL	6063-T5 ALUM
7	SASH STILE	6063-T5 ALUM
9	SASH STOP	PVC
10	GLAZING BEAD	PVC
11	PILE WEATHERSTRIP w/ FIN	-
12	3/8" Ø BULB SEAL	VINYL
13	SASH LOCKS (2)	-
15	MULLION	6063-T5 ALUM



Documents Prepared By: Lyndon F. Schmidt, P.E.
TEXAS P.E. #104123

RW BUILDING CONSULTANTS, INC.
P.O. Box 230 Valrico FL 33595
Phone No.: 813.659.9197

TEXAS BOARD OF PROFESSIONAL ENGINEERS
CERTIFICATE OF REGISTRATION # F-11852

PRODUCT: ATRIUM HUNG WINDOW
SINGLE HUNG WINDOW
PART OR ASSEMBLY: BILL OF MATERIALS, GLAZING DETAIL & COMPONENTS

NO.	DATE	BY

DATE: 11/03/15
SCALE: N.T.S.
DWG. BY: JK
CHK. BY: LFS
DRAWING NO.: TX-4575
SHEET 4 OF 4