

WINCORE™

WINDOWS & DOORS

250 Staunton Turnpike, Parkersburg, WV 26104

5400/5400S/7700/9900 Series Vinyl Fixed Window (Transom) "NON-IMPACT"

EVALUATED FOR USE IN THE STATE OF TEXAS

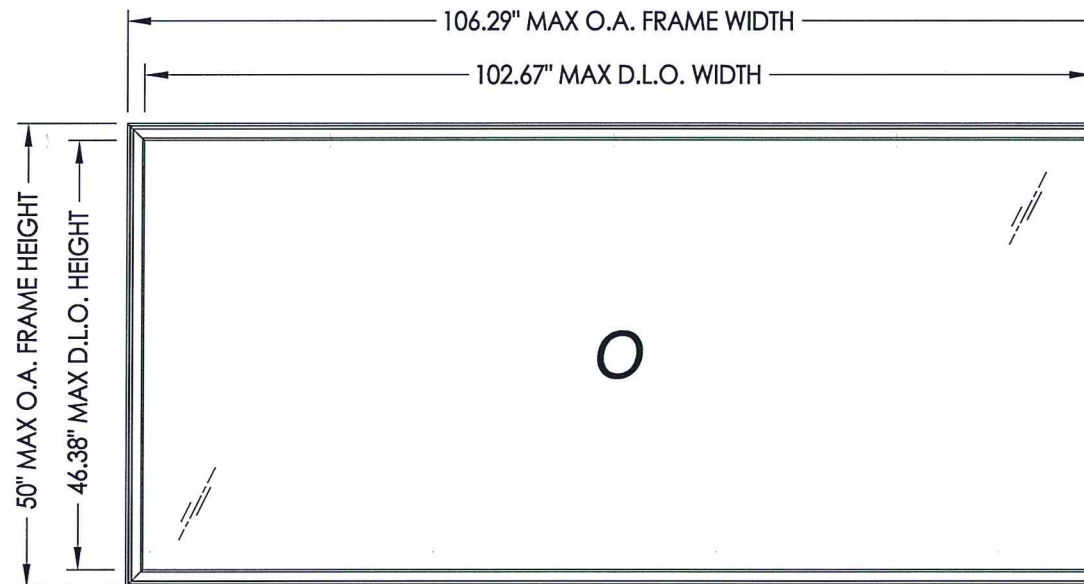
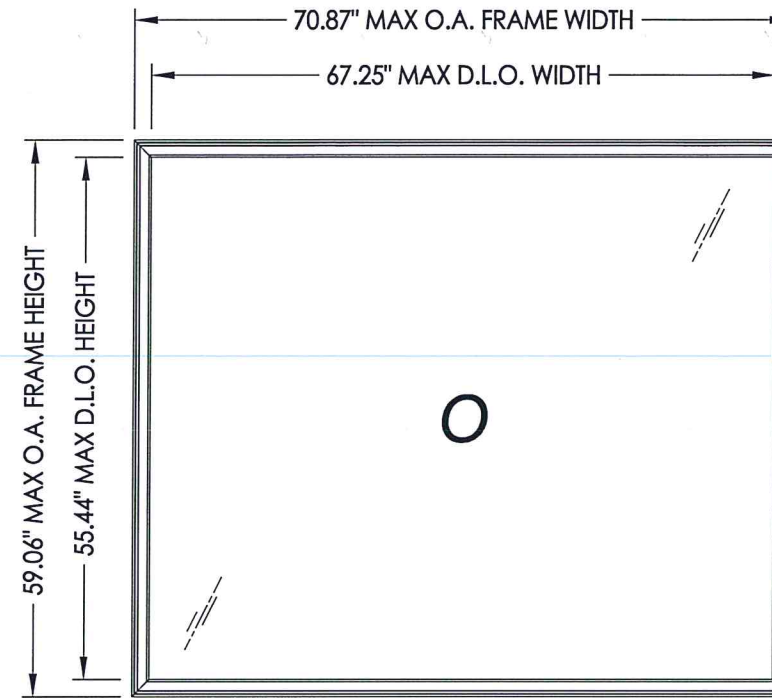
TDI WIN-2127

The Wincore Fixed Window described herein complies with the 2018 International Residential Code (IRC), Sections R301 & R609 and the 2018 International Building Code (IBC), Sections 1404.13, 1609, 1709.5, 2403 and 2404 subject to the following conditions:

1. Anchors shall be as listed and spaced as shown in the details. Anchor embedment to base material shall be beyond wall dressing or stucco.
2. When used in areas requiring wind-borne debris protection this product is required to be protected with an impact resistant covering that complies with Section R301.2.1.2 of the IRC and Section 1609.1.2 of the IBC.
3. Allowable design pressure requirements must be equal to or less than the design pressure rating shown in the design pressure chart, sheet 1 of this drawing.
4. Conditions not covered by this drawing are subject to further engineering analysis.

TABLE OF CONTENTS

SHEET#	DESCRIPTION
1	Typical elevations, design pressures and general notes
2	Cross section & frame anchoring
3	Bill of materials, components and glazing details



NOTE: HORIZONTAL ORIENTATION SHOWN, VERTICAL ORIENTATION ALSO APPROVED

MAX. FRAME DIMENSION	MAX. D.L.O. DIMENSION	GLASS TYPE	DESIGN PRESSURE (PSF)	
			POSITIVE	NEGATIVE
106.29" X 50.0"	102.67" X 46.38"	G1, G3	+75.0	-75.0
70.87" X 59.06"	67.25" X 55.44"	G2, G4	+50.0	-50.0



Documents Prepared By: Lyndon F. Schmidt, P.E.
TEXAS P.E. #104123

RW BUILDING CONSULTANTS, INC.
P.O. Box 230 Valrico FL 33595
Phone No.: 813.659.9197

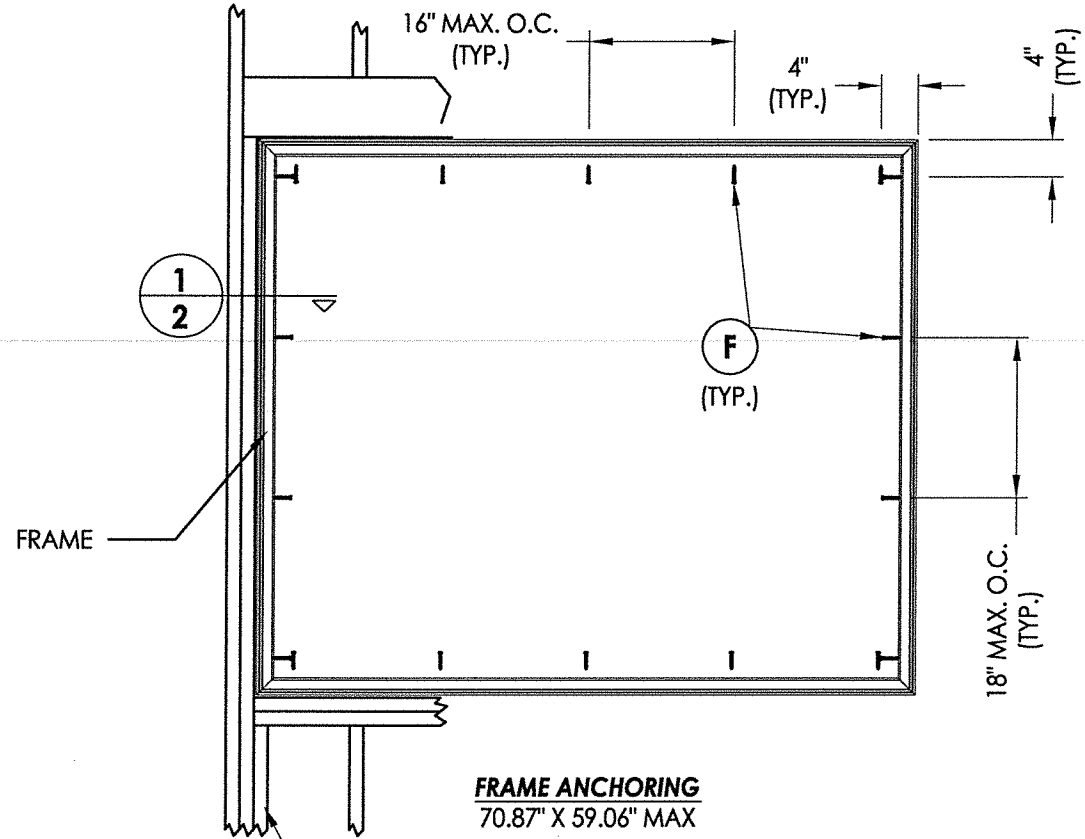
TEXAS BOARD OF PROFESSIONAL ENGINEERS
CERTIFICATE OF REGISTRATION # F-11852

PRODUCT: 5400/5400S/7000/9900 SERIES FIXED WINDOW

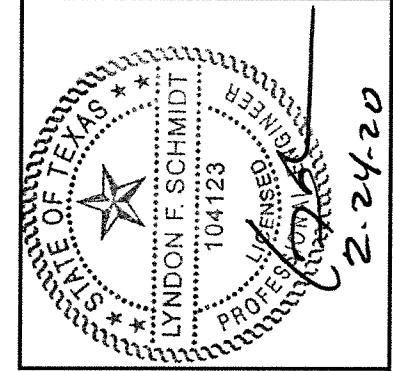
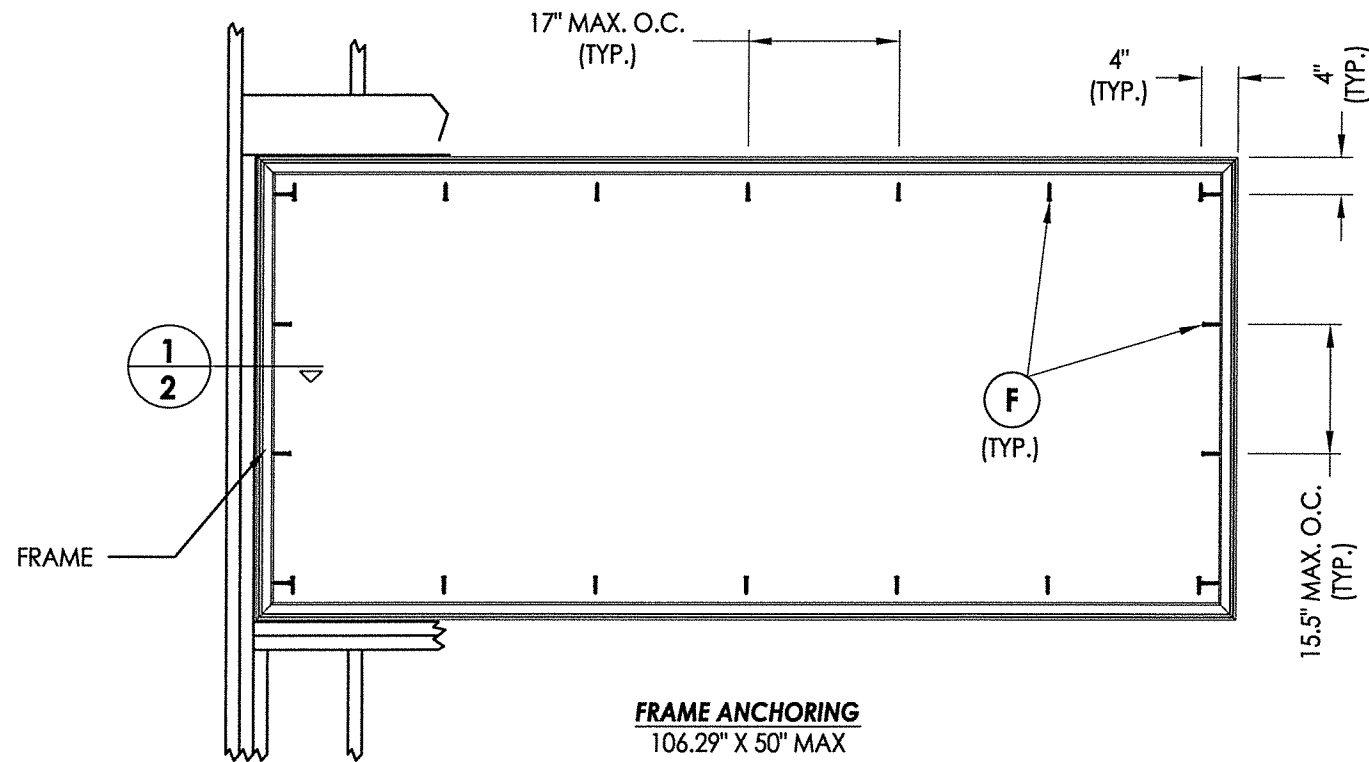
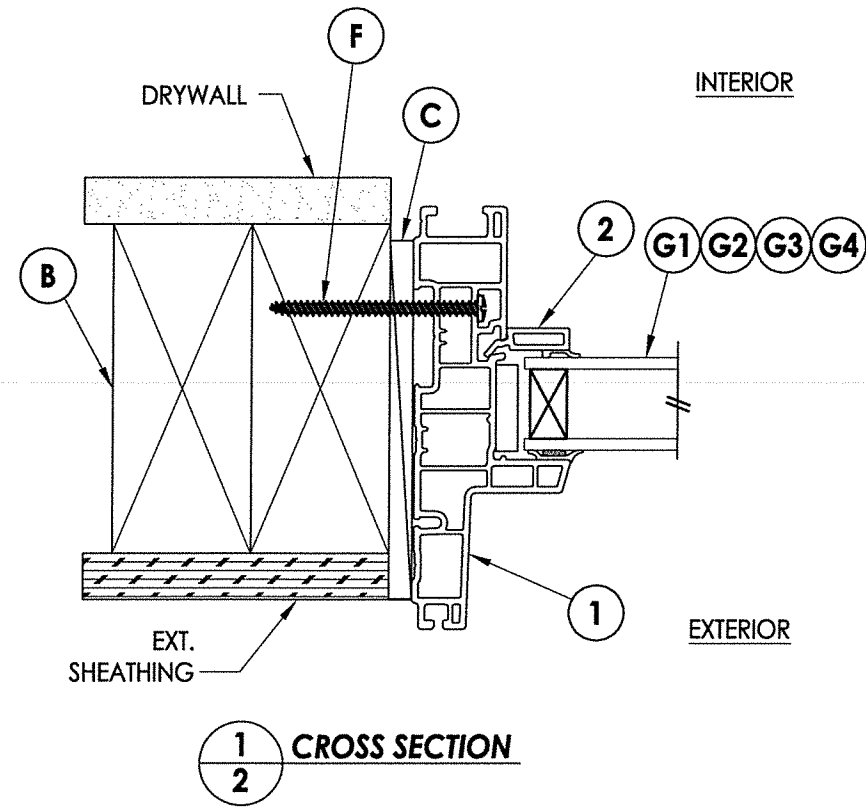
PART OR ASSEMBLY: TYPICAL ELEVATION, DESIGN PRESSURES & GENERAL NOTES

NO.	DATE	REVISIONS
1	1/21/20	UPDATE TO 2018 IBC/IRC

DATE: 9/3/14
SCALE: N.T.S.
DWG. BY: JK
CHK. BY: LFS
DRAWING NO.: TX-4460
SHEET 1 OF 3



2x framing to be designed by the engineer or architect of record based on wind loads and the cladding being used (typ.).



Documents Prepared By: Lyndon F. Schmidt, P.E.
TEXAS P.E. #104123

RW BUILDING CONSULTANTS, INC.
P.O. Box 230 Valrico FL, 33595
Phone No.: 813.659.9197

TEXAS BOARD OF PROFESSIONAL ENGINEERS
CERTIFICATE OF REGISTRATION # F-11852

PRODUCT: 5400/5400S/7000/9900 SERIES
FIXED WINDOW

PART OR ASSEMBLY: CROSS SECTION

NO.	DATE	DESCRIPTION	BY
1	1/21/20	UPDATE TO 2018 IBC/IRC	LFS

DATE: 9/3/14

SCALE: N.T.S.

DWG. BY: JK

CHK. BY: LFS

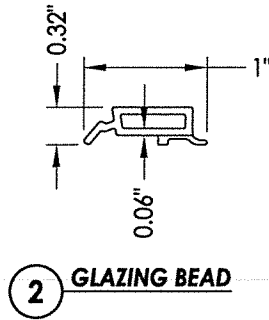
DRAWING NO.: TX-4460

SHEET 2 OF 3

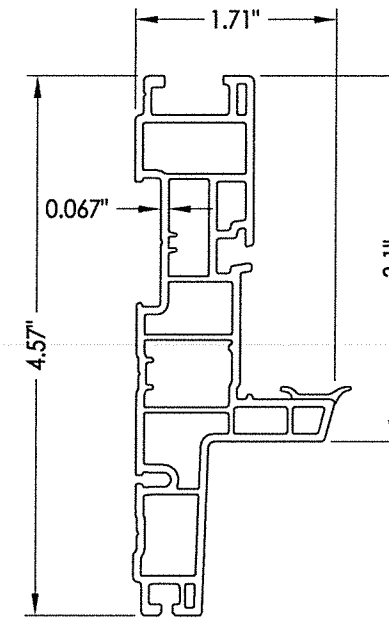
R:\Clients\Wincore PERMANENT\B - (2018) Texas Dept of Ins\WIN 2127 - Fixed Transom 5400 - 5400S - 7700 - 9900\C - Drawings\2018 IBC UPDATE\TX-4460.dwg, 3.1

BILL OF MATERIALS		
ITEM #	DESCRIPTION	MATERIAL
B	2X FRAMING (SG >= 0.42)	WOOD
C	1/4" MAX. SHIM SPACE	-
F	#8 X 2-3/4" PH SMS (1-1/4" MIN. EMBEDMENT)	STEEL
1	FRAME (4201)*	PVC
2	GLAZING BEAD (5800)*	PVC

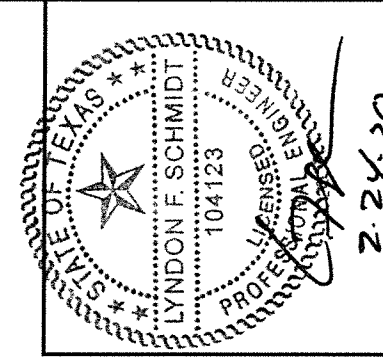
* THE APPROVED WHITE RIGID PVC EXTRUSIONS FOR WINDOWS ARE TO BE PRODUCED BY EXTRUDERS LICENSEES IN "AAMA CERTIFICATION PROGRAMS FOR RIGID PVC EXTRUSIONS".



2 GLAZING BEAD



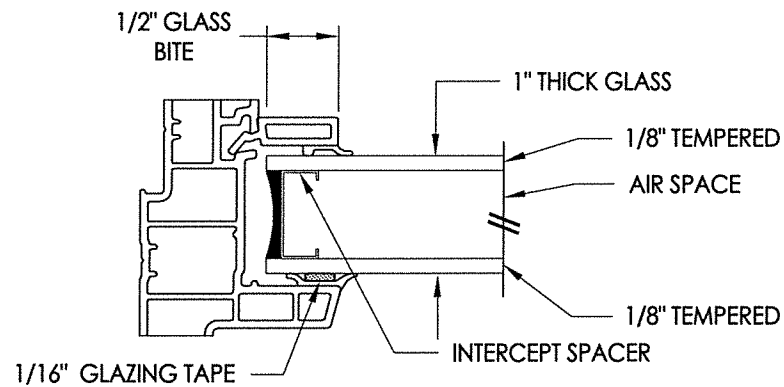
1 FRAME



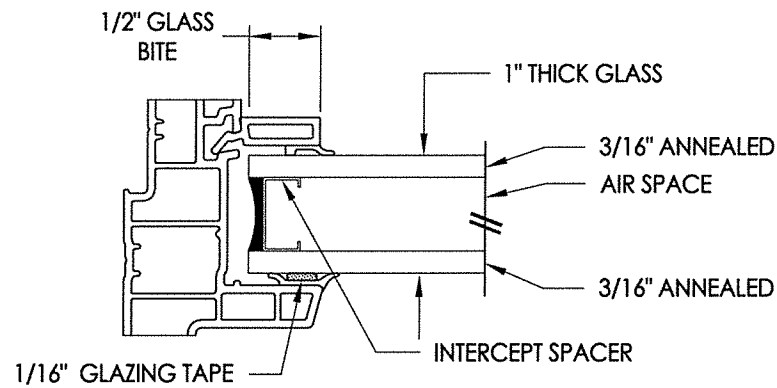
Documents Prepared By: Lyndon F. Schmidt, P.E.
TEXAS P.E. #104123

RW BUILDING CONSULTANTS, INC.
P.O. Box 230 Valrico FL 33595
Phone No.: 813.659.9197

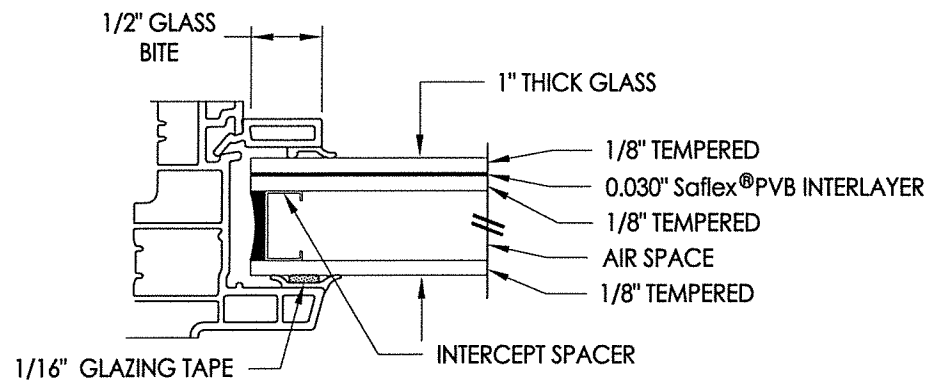
TEXAS BOARD OF PROFESSIONAL ENGINEERS
CERTIFICATE OF REGISTRATION # F-11852



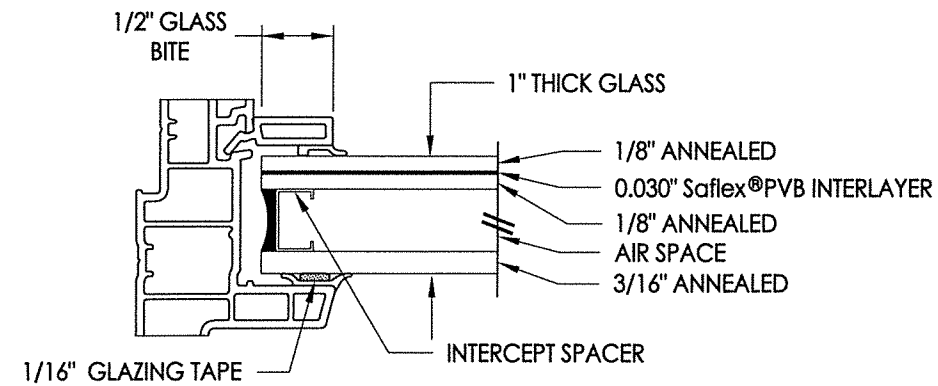
G1 GLAZING DETAIL



G2 GLAZING DETAIL



G3 GLAZING DETAIL
(See General Note 2, Sheet 1)



G4 GLAZING DETAIL
(See General Note 2, Sheet 1)

PRODUCT:	5400/5400S/7000/9900 SERIES FIXED WINDOW
PART OR ASSEMBLY:	BILL OF MATERIALS, COMPONENTS AND GLAZING DETAILS
DATE:	9/3/14
SCALE:	N.T.S.
DWG. BY:	JK
CHK. BY:	LFS
DRAWING NO.:	TX-4460
SHEET	3 OF 3

NO.	DATE	REVISIONS
1	1/21/20	UPDATE TO 2018 IBC/IRC
LFS		
BY		

© 2014 R.W. BUILDING CONSULTANTS INC.