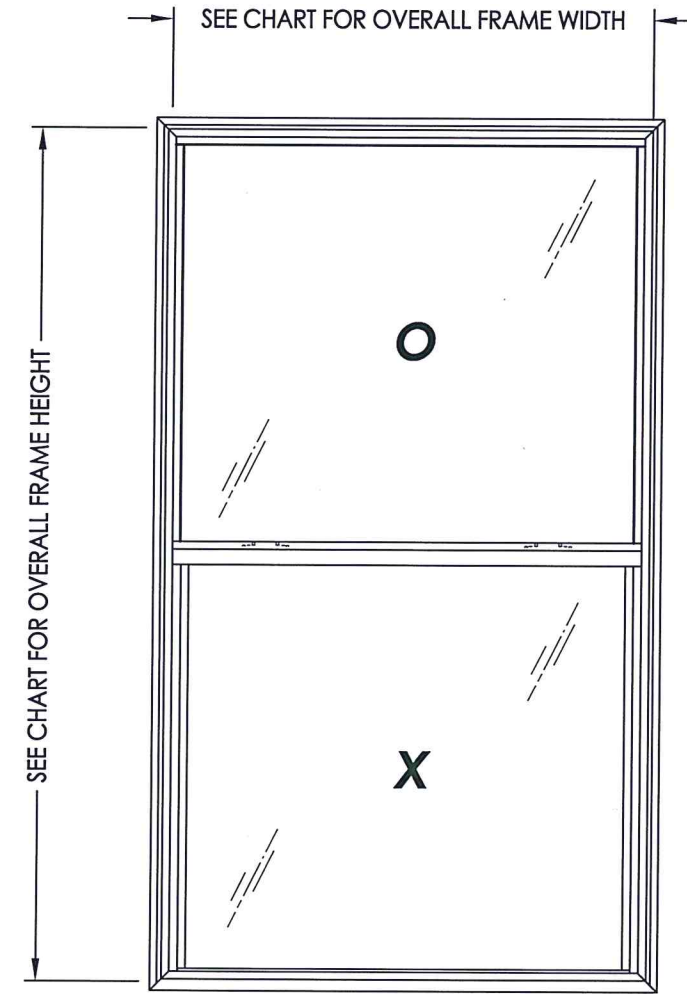


**MODEL 0700  
SINGLE HUNG WINDOW  
"NON-IMPACT"**



Documents Prepared By: Lyndon F. Schmidt, P.E.  
TEXAS P.E. #104123  
**RW** BUILDING CONSULTANTS, INC.  
P.O. Box 250 Valrico FL 33595  
Phone No.: 813.659.9197  
TEXAS BOARD OF PROFESSIONAL ENGINEERS  
CERTIFICATE OF REGISTRATION # F-11852

EVALUATED FOR USE IN THE STATE OF TEXAS

**TDI WIN-2085**

The Single Hung Window described herein complies with the 2018 International Residential Code (IRC), Sections R301 & R609 and the 2018 International Building Code (IBC), Sections 1404.13, 1609, 1709.5, 2403 and 2404 subject to the following conditions:

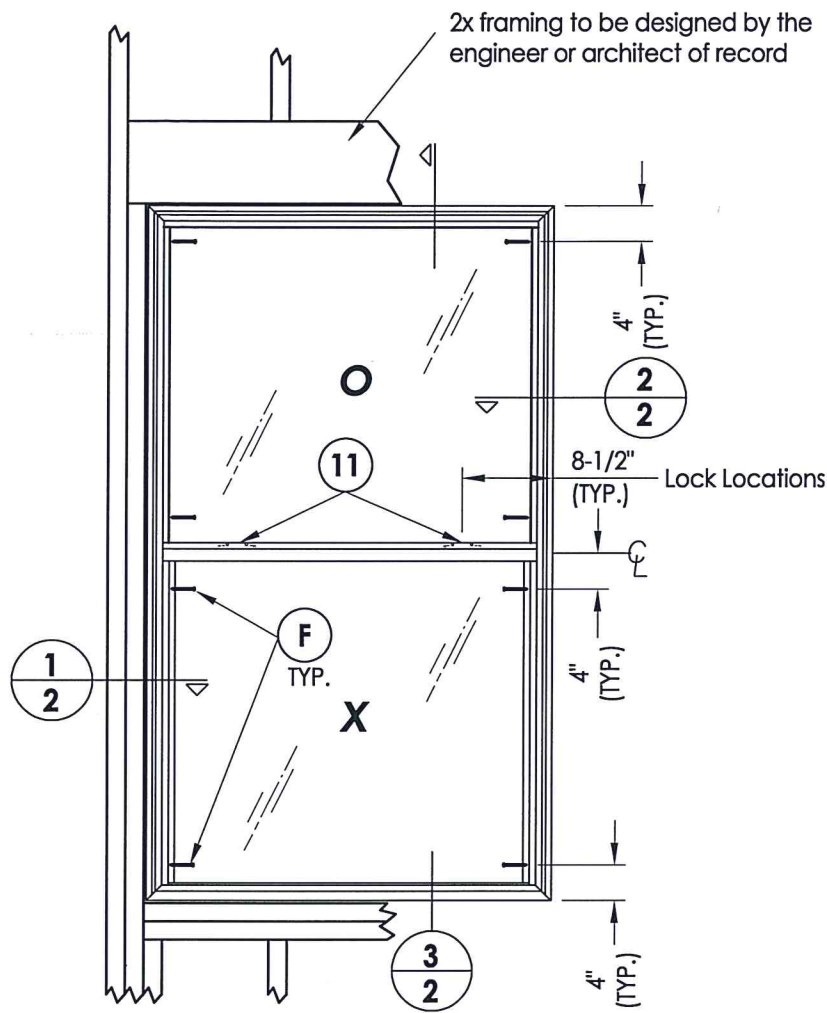
1. Anchors shall be as listed and spaced as shown in the details. Anchor embedment to base material shall be beyond wall dressing or stucco.
2. When used in areas requiring wind-borne debris protection this product is required to be protected with an impact resistant covering that complies with Section R301.2.1.2 of the IRC and Section 1609.1.2 of the IBC.
3. Allowable design pressure requirements must be equal to or less than the design pressure rating shown in the design pressure chart, sheet 1 of this drawing.
4. Conditions not covered by this drawing are subject to further engineering analysis.

**TABLE OF CONTENTS**

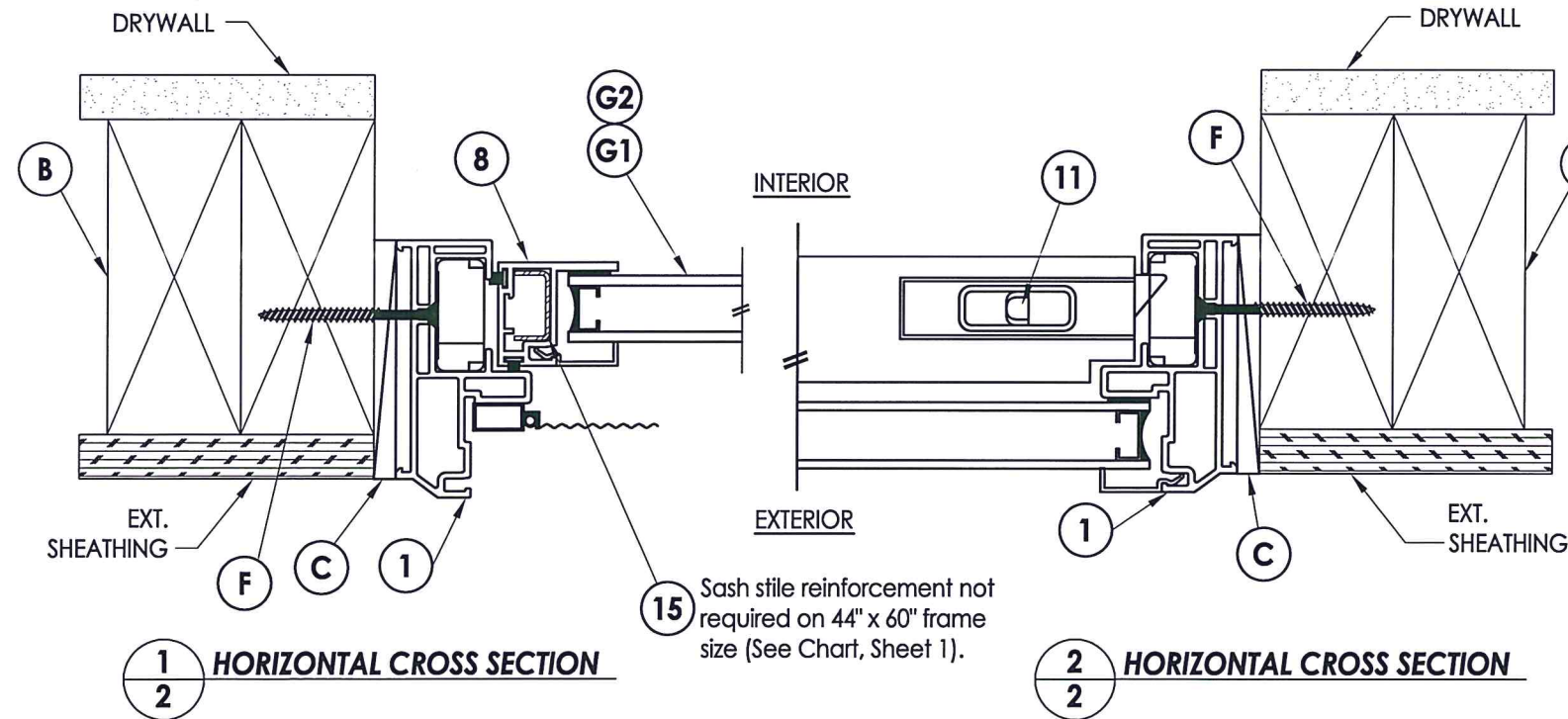
SHEET#	DESCRIPTION
1	Typical elevations, design pressures & general notes
2	Vertical & horizontal cross sections & frame anchoring
3	Bill of materials, glazing detail and components

OVERALL FRAME DIMENSION	OVERALL (O) D.L.O. DIMENSION	OVERALL (X) D.L.O. DIMENSION	GLASS TYPE	Reinforcements		DESIGN PRESSURE (PSF)	
				Lock Rail	Sash Stiles	POSITIVE	NEGATIVE
36.0" x 72.0"	33.0" x 33.0"	31.0" x 33.37"	G1	Yes	Yes	+25.0	-40.0
44.0" x 60.0"	41.0" x 27.0"	39.0" x 27.37"	G1	Yes	No	+25.0	-40.0
45.0" x 75.0"	42.0" x 34.5"	40.0" x 34.87"	G1	Yes	Yes	+25.0	-30.0
48.0" x 84.0"	45.0" x 39.0"	43.0" x 39.37"	G2	Yes	Yes	+25.0	-25.0
52.0" x 77.0"	49.0" x 35.5"	47.0" x 35.87"	G2	Yes	Yes	+25.0	-25.0

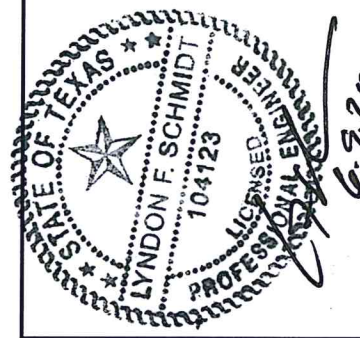
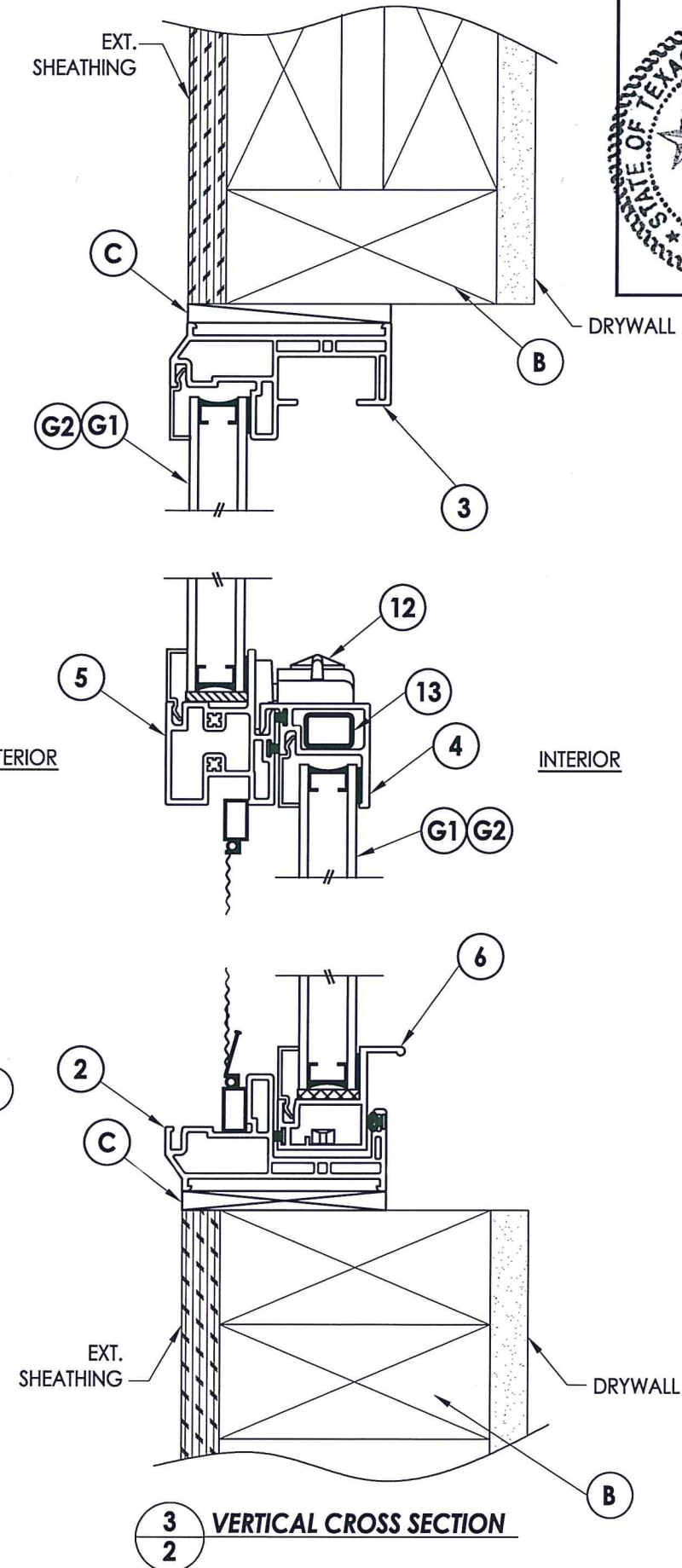
PRODUCT:	SINGLE HUNG WINDOW
PART OR ASSEMBLY:	TYPICAL ELEVATION, DESIGN PRESSURES & GENERAL NOTES
DATE:	5/13/15
SCALE:	N.T.S.
DWG. BY:	JK
CHK. BY:	LFS
DRAWING NO.:	TX-4532
SHEET	1 OF 3



**FRAME ANCHORING**  
2X Stud Construction



15 Sash stile reinforcement not required on 44" x 60" frame size (See Chart, Sheet 1).



Documents Prepared By: Lyndon F. Schmidt, P.E.  
TEXAS P.E. #104123

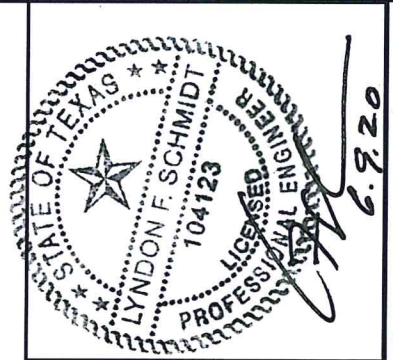
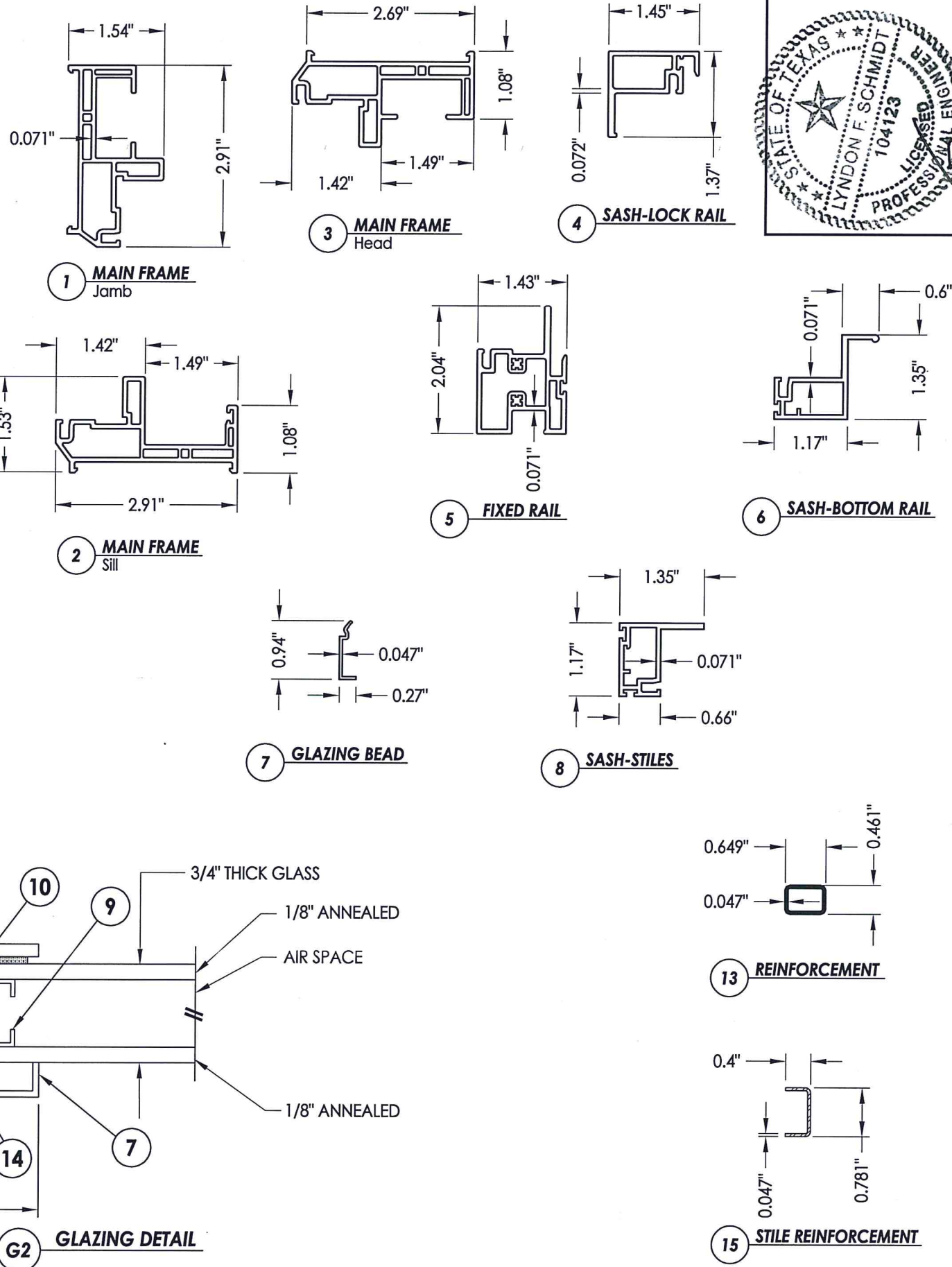
**RW** BUILDING CONSULTANTS, INC.  
P.O. Box 230 Valrico FL, 33595  
Phone No.: 813.659.9197

TEXAS BOARD OF PROFESSIONAL ENGINEERS  
CERTIFICATE OF REGISTRATION # F-11852

PRODUCT:		SINGLE HUNG WINDOW	
PART OR ASSEMBLY:		VERTICAL & HORIZONTAL CROSS SECTIONS & FRAME ANCHORING	
NO.	DATE	BY	REVISIONS
1	6/03/20	LFS	UPDATE TO 2018 IBC/IRC AND FOR NEW TESTING
DATE: 5/13/15			
SCALE: N.T.S.			
DWG. BY: JK			
CHK. BY: LFS			
DRAWING NO.: TX-4532			
SHEET 2 OF 3			

BILL OF MATERIALS		
ITEM #	DESCRIPTION	MATERIAL
B	2X FRAMING (G >= 0.42)	WOOD
C	1/4" MAX. SHIM SPACE	-
F	#8 X 2" PFH WOOD SCREW (1-1/4" MIN. EMBEDMENT)	STEEL
1	MAIN FRAME - JAMB*	RIGID PVC
2	MAIN FRAME - SILL*	RIGID PVC
3	MAIN FRAME - HEAD*	RIGID PVC
4	SASH - LOCK RAIL*	RIGID PVC
5	FIXED RAIL*	RIGID PVC
6	SASH - BOTTOM RAIL*	RIGID PVC
7	GLAZING BEAD*	RIGID PVC
8	SASH - STILES*	RIGID PVC
9	GLAZING SPACER	STEEL
10	GLAZING TAPE - DOUBLE SIDE ADHESIVE	-
11	TILT LATCH	POLYMER
12	METAL CAM LOCK AND KEEPER	STEEL
13	REINFORCEMENT - #UY00B2	STEEL
14	GLAZING BLOCK	-
15	STILE REINFORCEMENT	STEEL

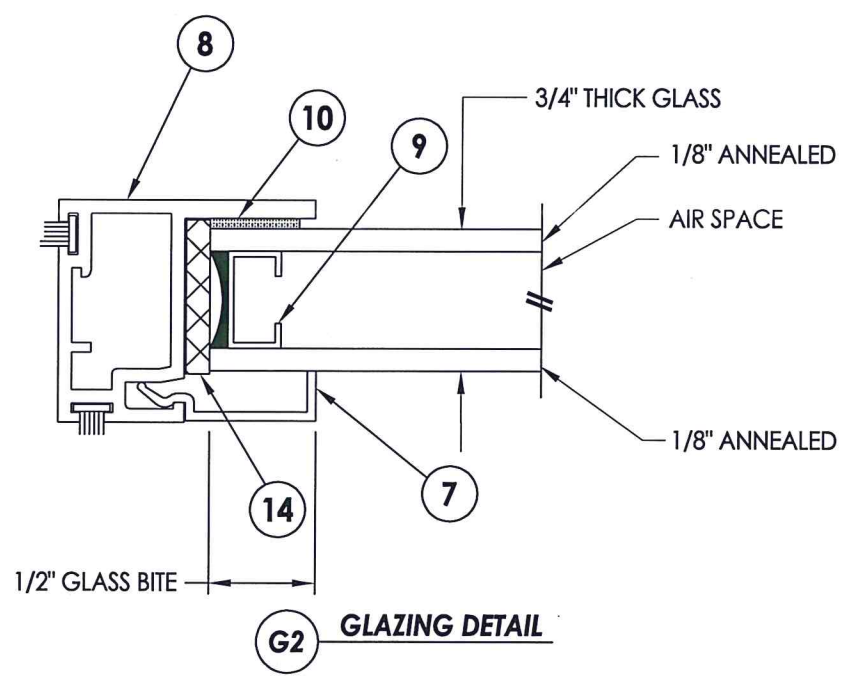
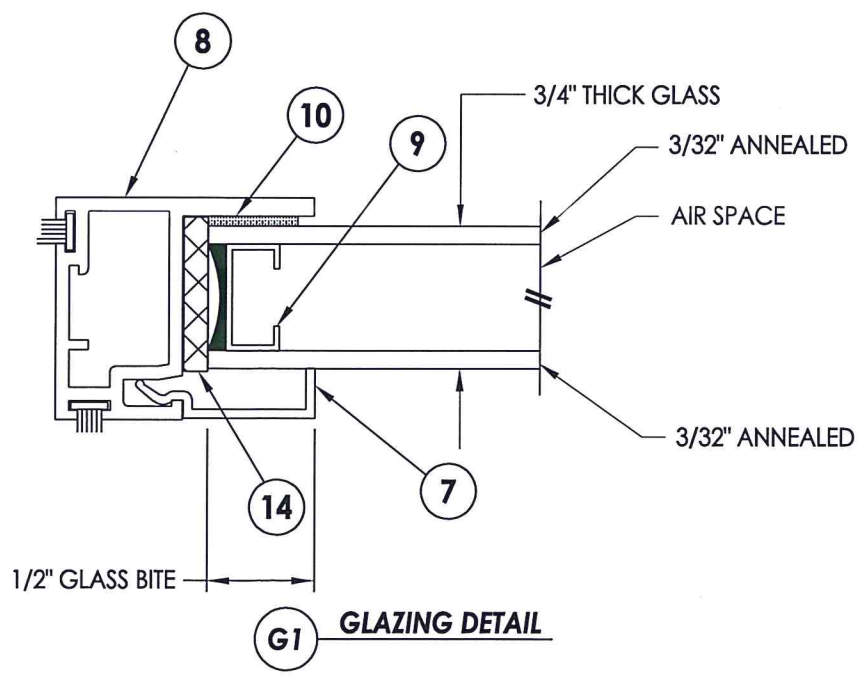
\* THE APPROVED WHITE RIGID PVC EXTERIOR EXTRUSIONS FOR WINDOWS ARE TO BE PRODUCED BY EXTRUDERS LICENSEES IN "AAMA CERTIFICATION PROGRAMS FOR RIGID PVC EXTRUSIONS".



Documents Prepared By: Lyndon F. Schmidt, P.E.  
 TEXAS P.E. #104123

**RW** BUILDING CONSULTANTS, INC.  
 P.O. Box 230 Valrico FL 33595  
 Phone No.: 813.659.9197

TEXAS BOARD OF PROFESSIONAL ENGINEERS  
 CERTIFICATE OF REGISTRATION # F-11852



PRODUCT:	SINGLE HUNG WINDOW	
PART OR ASSEMBLY:	BILL OF MATERIALS, GLAZING DETAIL & COMPONENTS	
NO.	DATE	BY
1	6/03/20	LFS
UPDATE TO 2018 IBC/IRC AND FOR NEW TESTING		
REVISIONS		
DATE:	5/13/15	
SCALE:	N.T.S.	
DWG. BY:	JK	
CHK. BY:	LFS	
DRAWING NO.:	TX-4532	
SHEET	3	OF 3