

REVISIONS			
REV	DESCRIPTION	DATE	APPROVED
A	REVISED PER NEW STANDARDS	09/17/2020	R.L.

NOTES:

1. THE PRODUCT SHOWN HEREIN IS DESIGNED AND MANUFACTURED TO COMPLY WITH REQUIREMENTS OF THE 2018 IBC AND 2018 IRC.
2. WOOD FRAMING AND MASONRY OPENING TO BE DESIGNED AND ANCHORED TO PROPERLY TRANSFER ALL LOADS TO STRUCTURE. FRAMING AND MASONRY OPENING IS THE RESPONSIBILITY OF THE ARCHITECT OR ENGINEER OF RECORD.
3. 1X BUCK OVER MASONRY/CONCRETE IS OPTIONAL.
4. WHERE SHIM OR BUCK THICKNESS IS LESS THAN 1-1/2" UNITS MUST BE ANCHORED THROUGH THE FRAME IN ACCORDANCE WITH MANUFACTURER'S PUBLISHED INSTALLATION INSTRUCTIONS. ANCHORS SHALL BE SECURELY FASTENED DIRECTLY INTO MASONRY, CONCRETE OR OTHER STRUCTURAL SUBSTRATE MATERIAL.
5. WHERE WOOD BUCK THICKNESS IS 1-1/2" OR GREATER, BUCK SHALL BE SECURELY FASTENED TO MASONRY, CONCRETE OR OTHER STRUCTURAL SUBSTRATE. UNITS MAY BE ANCHORED THROUGH FRAME TO SECURED WOOD BUCK IN ACCORDANCE WITH MANUFACTURER'S PUBLISHED INSTALLATION INSTRUCTIONS.
6. WHERE 1X BUCK IS NOT USED DISSIMILAR MATERIALS MUST BE SEPARATED WITH APPROVED COATING OR MEMBRANE. SELECTION OF COATING OR MEMBRANE IS THE RESPONSIBILITY OF THE ARCHITECT OR ENGINEER OF RECORD.
7. BUCKS SHALL EXTEND BEYOND UNIT FRAME INTERIOR FACE SO THAT FULL FRAME SUPPORT IS PROVIDED.
8. SHIM AS REQUIRED AT EACH ANCHOR LOCATION WITH LOAD BEARING SHIM. SHIM WHERE SPACE OF 1/16" OR GREATER OCCURS. MAXIMUM ALLOWABLE SHIM STACK TO BE 1/4".
9. SHIMS SHALL BE LOCATED, APPLIED AND MADE FROM MATERIALS AND THICKNESS CAPABLE OF SUSTAINING APPLICABLE LOADS.
10. WIND LOAD DURATION FACTOR Cd=1.6 WAS USED FOR WOOD ANCHOR CALCULATIONS.
11. FRAME MATERIAL: EXTRUDED RIGID PVC.
12. UNITS MUST BE GLAZED PER ASTM E1300.
13. APPROVED IMPACT PROTECTIVE SYSTEM IS REQUIRED FOR THIS PRODUCT IN WIND BORNE DEBRIS REGIONS.
14. FOR ANCHORING THROUGH FRAME INTO WOOD FRAMING OR 2X BUCK USE #8 WOOD SCREWS WITH SUFFICIENT LENGTH TO ACHIEVE A 1 1/4" MINIMUM EMBEDMENT INTO SUBSTRATE. LOCATE ANCHORS AS SHOWN IN ELEVATIONS AND INSTALLATION DETAILS.

15. FOR ANCHORING THROUGH FRAME INTO MASONRY/CONCRETE USE 3/16" TAPCONS WITH SUFFICIENT LENGTH TO ACHIEVE A 1 1/4" MINIMUM EMBEDMENT INTO SUBSTRATE WITH 2" MINIMUM EDGE DISTANCE. LOCATE ANCHORS AS SHOWN IN ELEVATIONS AND INSTALLATION DETAILS.
16. FOR ANCHORING THROUGH FRAME INTO METAL STRUCTURE USE #8 SMS OR SELF DRILLING SCREWS WITH SUFFICIENT LENGTH TO ACHIEVE 3 THREADS MINIMUM BEYOND STRUCTURE INTERIOR WALL. LOCATE ANCHORS AS SHOWN IN ELEVATIONS AND INSTALLATION DETAILS.
17. ALL FASTENERS TO BE CORROSION RESISTANT.
18. INSTALLATION ANCHORS SHALL BE INSTALLED IN ACCORDANCE WITH ANCHOR MANUFACTURER'S INSTALLATION INSTRUCTIONS AND ANCHORS SHALL NOT BE USED IN SUBSTRATES WITH STRENGTHS LESS THAN THE MINIMUM STRENGTH SPECIFIED BELOW:
 - A. WOOD: MINIMUM SPECIFIC GRAVITY OF G=0.42
 - B. CONCRETE: MINIMUM COMPRESSIVE STRENGTH OF 2,000 PSI.
 - C. MASONRY: HOLLOW/FILLED BLOCK PER ASTM C90 WITH Fm=2,000PSI MINIMUM.
 - D. METAL STRUCTURE: STEEL 18GA (.048") FY=33KSI/FU=52KSI OR ALUMINUM 6063-T5 FU=30KSI .125" THICK MINIMUM

SIGNED: 09/17/2020

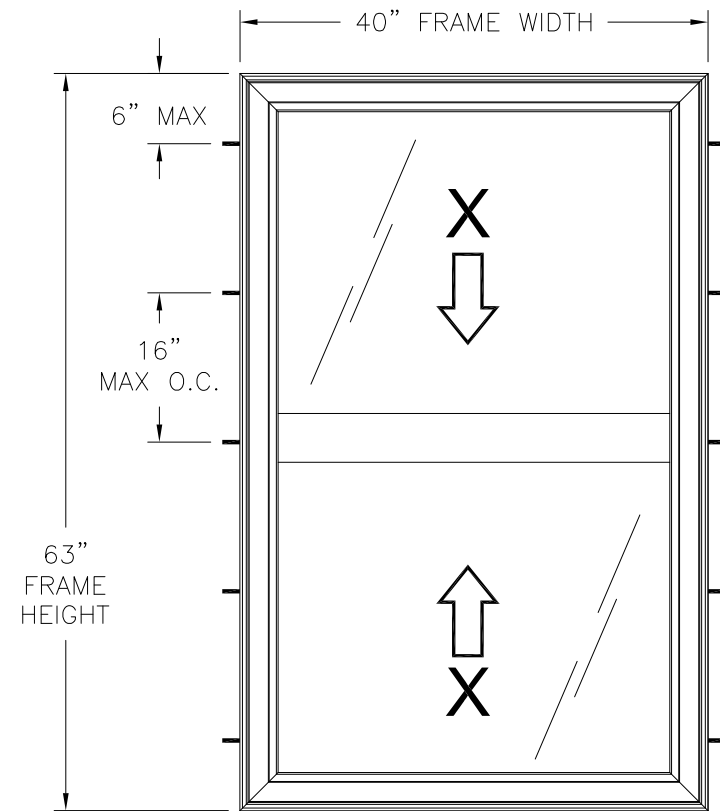
TABLE OF CONTENTS	
SHEET NO.	DESCRIPTION
1	NOTES
2	ELEVATION
3 - 4	INSTALLATION DETAILS
5	COMPONENTS

WINDOW MART 5760 ALBERT PIKE ROYAL, AR 71968		
SERIES 2745 VINYL DOUBLE HUNG WINDOW 40" X 63" NON-IMPACT NOTES		
DRAWN: A.R.	DWG NO. 08-03479	REV A
SCALE NTS	DATE 07/30/19	SHEET 1 OF 5
L. ROBERTO LOMAS P.E. 1432 WOODFORD RD LEWISVILLE, NC 27023 434-688-0609 rllomas@lrlomaspe.com		



Luis R. Lomas P.E.
TX No.: 101889

REVISIONS			
REV	DESCRIPTION	DATE	APPROVED
A	REVISED PER NEW STANDARDS	09/17/2020	R.L.



2745 DOUBLE HUNG WINDOW
EXTERIOR VIEW
FRAME INSTALLATION

NOTES:

1. TOP SASH SIZE: 35 3/8" X 29 3/4"
2. BOTTOM SASH SIZE: 36 3/8" X 30 3/4"
3. TOP SASH D.L.O.: 32 3/4" X 27 1/8"
4. BOTTOM SASH D.L.O.: 33 3/4" X 28 1/8"

DESIGN PRESSURE RATING	IMPACT RATING
±40.0PSF	NONE

40" X 63" UNIT SHOWN. OTHER SIZES APPROVED AS LONG AS FRAME AREA DOES NOT EXCEED 17.5 FT²

HARDWARE SCHEDULE

A.	(2) METAL CAM LOCK WITH KEEPER AT LOCK RAIL WITH MATING KEEPER ON EXTERIOR MEETING RAIL, 10" FROM EACH END
B.	(4) PLASTIC FLUSH MOUNT TILT LATCH AT LOCK RAIL AND TOP RAIL, ONE AT EACH END
C.	(4) METAL PIVOT BAR AT BOTTOM RAIL AND EXTERIOR MEETING RAIL, ONE AT EACH END.
D.	(4) CONSTANT FORCE BALANCE WITH LOCKING TILT SHOE, TWO PER JAMB
E.	FIBERGLASS REINFORCEMENT (10000660) AT EXTERIOR MEETING RAIL
F.	FIBERGLASS REINFORCEMENT (10000662) AT LOCK RAIL

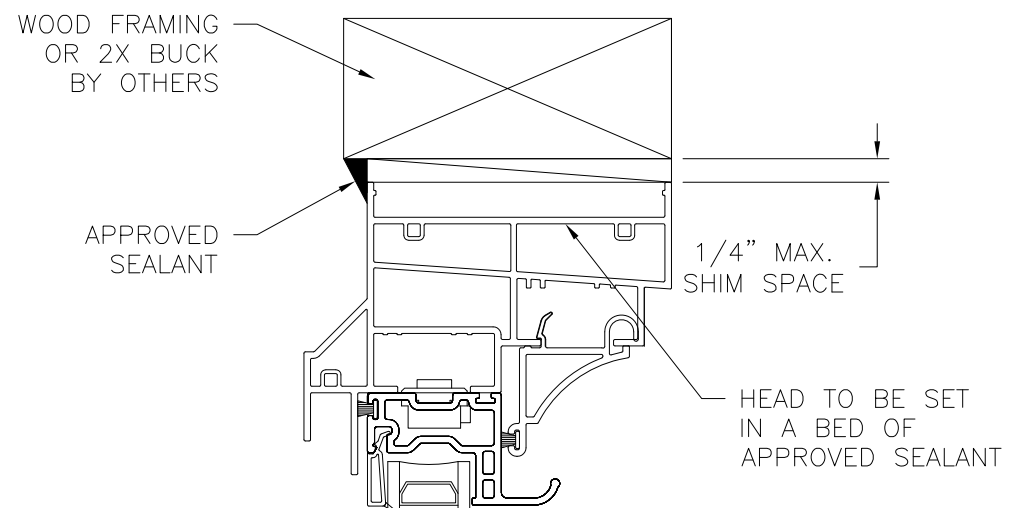
SIGNED: 09/17/2020

WINDOW MART 5760 ALBERT PIKE ROYAL, AR 71968		
SERIES 2745 VINYL DOUBLE HUNG WINDOW 40" X 63" NON-IMPACT ELEVATION		
DRAWN: A.R.	DWG NO. 08-03479	REV A
SCALE NTS	DATE 07/30/19	SHEET 2 OF 5
L. ROBERTO LOMAS P.E. 1432 WOODFORD RD LEWISVILLE, NC 27023 434-688-0609 rllomas@lrlomaspe.com		

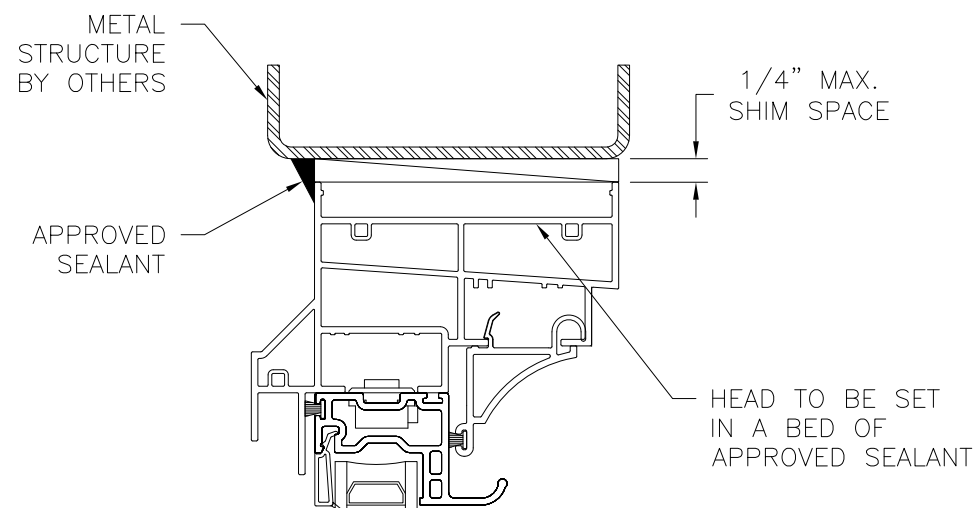


Luis R. Lomas P.E.
TX No.: 101889

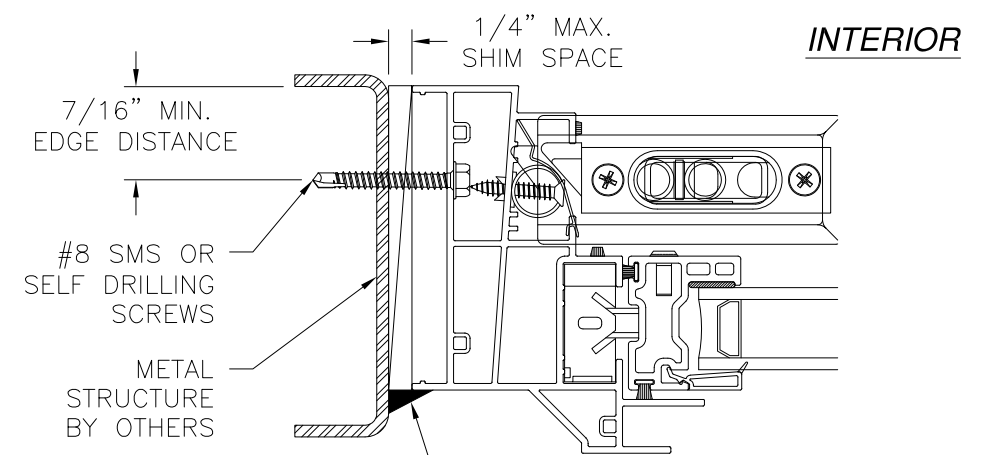
REVISIONS			
REV	DESCRIPTION	DATE	APPROVED
A	REVISED PER NEW STANDARDS	09/17/2020	R.L.



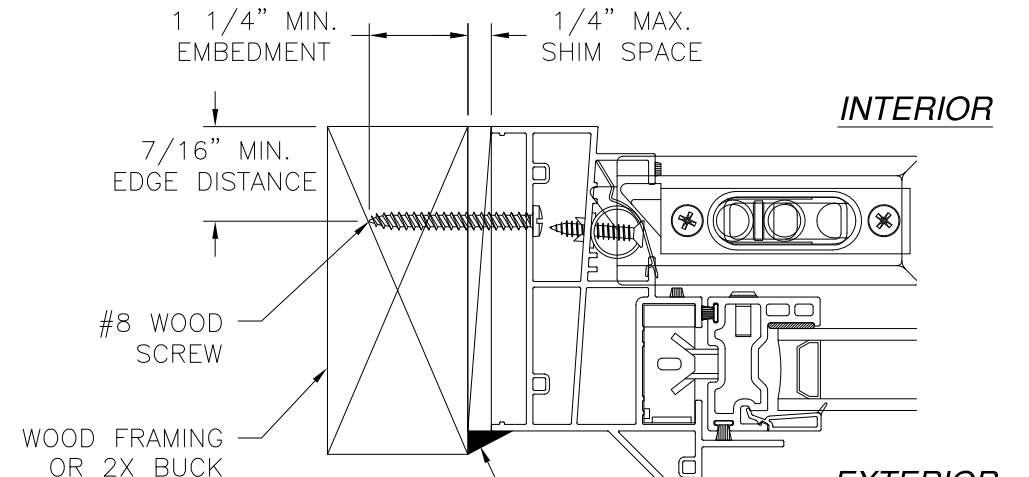
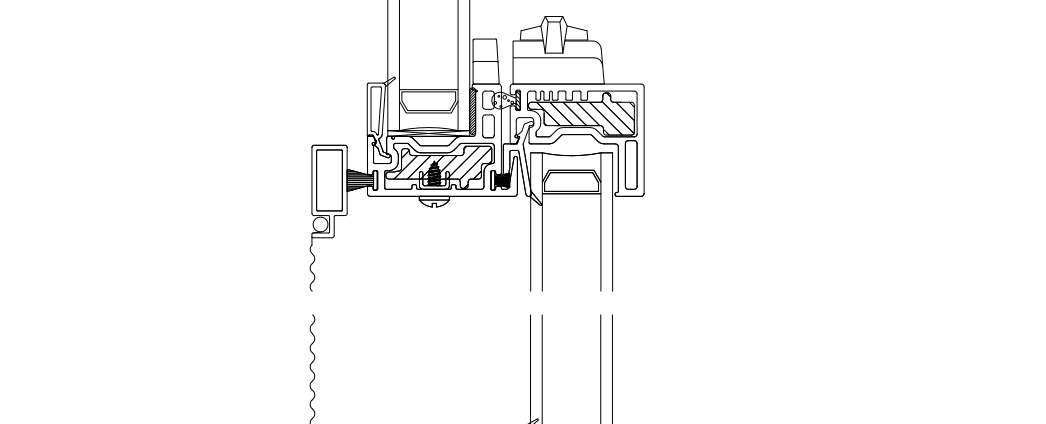
VERTICAL CROSS SECTION
WOOD FRAMING OR 2X BUCK INSTALLATION



VERTICAL CROSS SECTION
METAL STRUCTURE INSTALLATION

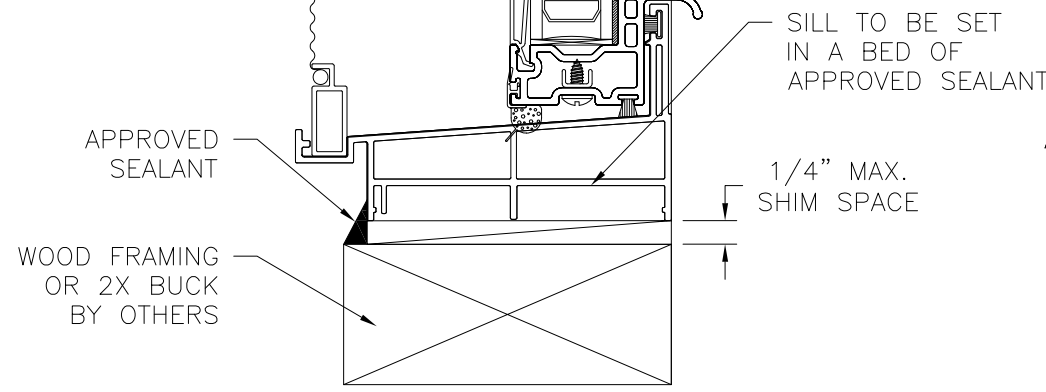


JAMB INSTALLATION DETAIL
METAL STRUCTURE INSTALLATION

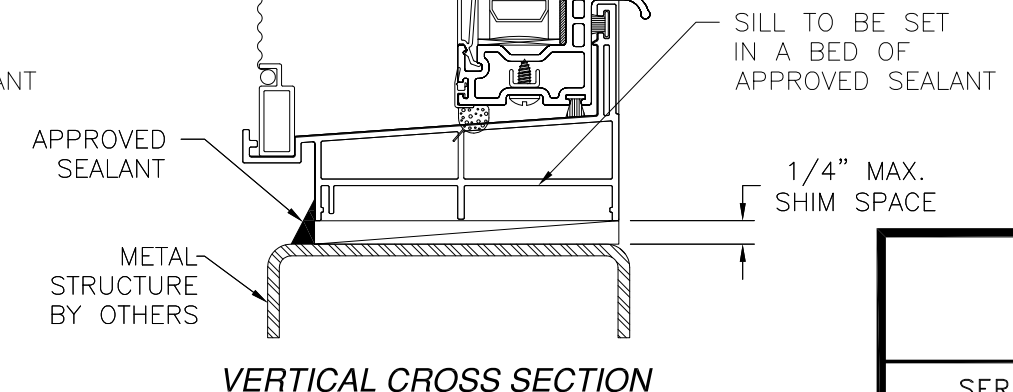


JAMB INSTALLATION DETAIL
WOOD FRAMING OR 2X BUCK INSTALLATION

SIGNED: 09/17/2020



VERTICAL CROSS SECTION
WOOD FRAMING OR 2X BUCK INSTALLATION



VERTICAL CROSS SECTION
METAL STRUCTURE INSTALLATION

NOTES:
1. INTERIOR AND EXTERIOR FINISHES, BY OTHERS, NOT SHOWN FOR CLARITY.
2. PERIMETER AND JOINT SEALANT BY OTHERS TO BE DESIGNED IN ACCORDANCE WITH ASTM E2112

WINDOW MART
5760 ALBERT PIKE
ROYAL, AR 71968

SERIES 2745 VINYL DOUBLE HUNG WINDOW
40" X 63" NON-IMPACT
INSTALLATION DETAILS

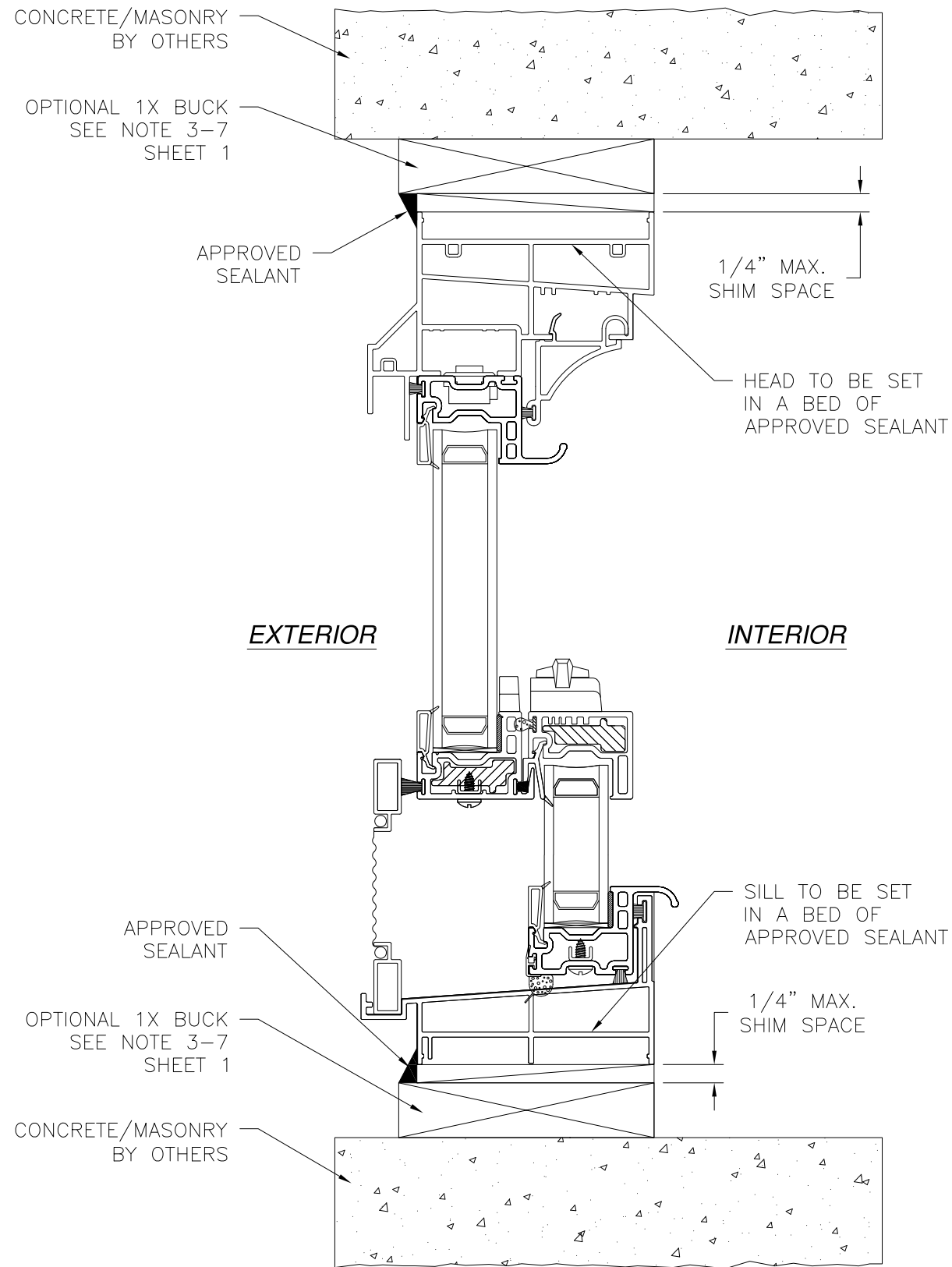
DRAWN: A.R.	DWG NO. 08-03479	REV A
SCALE NTS	DATE 07/30/19	SHEET 3 OF 5

L. ROBERTO LOMAS P.E.
1432 WOODFORD RD LEWISVILLE, NC 27023
434-688-0609 rllomas@rlomaspe.com

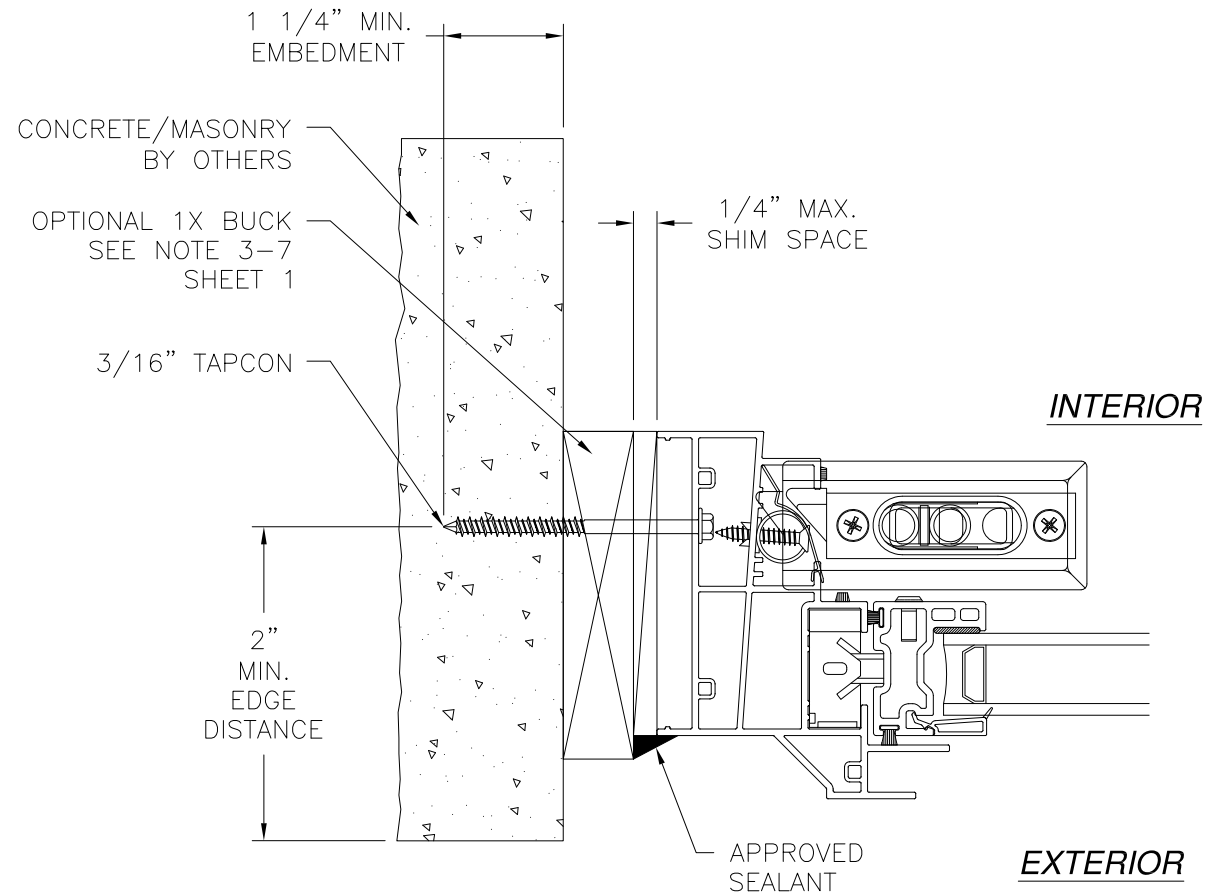


Luis R. Lomas P.E.
TX No.: 101889

REVISIONS			
REV	DESCRIPTION	DATE	APPROVED
A	REVISED PER NEW STANDARDS	09/17/2020	R.L.



VERTICAL CROSS SECTION
CONCRETE/MASONRY INSTALLATION



JAMB INSTALLATION DETAIL
CONCRETE/MASONRY INSTALLATION

- NOTES:**
1. INTERIOR AND EXTERIOR FINISHES, BY OTHERS, NOT SHOWN FOR CLARITY.
 2. PERIMETER AND JOINT SEALANT BY OTHERS TO BE DESIGNED IN ACCORDANCE WITH ASTM E2112

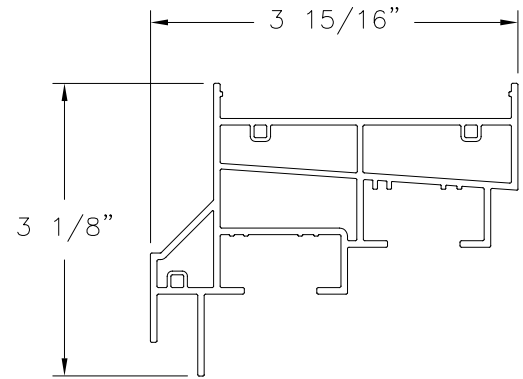
SIGNED: 09/17/2020

WINDOW MART 5760 ALBERT PIKE ROYAL, AR 71968		
SERIES 2745 VINYL DOUBLE HUNG WINDOW 40" X 63" NON-IMPACT INSTALLATION DETAILS		
DRAWN: A.R.	DWG NO. 08-03479	REV A
SCALE NTS	DATE 07/30/19	SHEET 4 OF 5
L. ROBERTO LOMAS P.E. 1432 WOODFORD RD LEWISVILLE, NC 27023 434-688-0609 rllomas@rlomaspe.com		

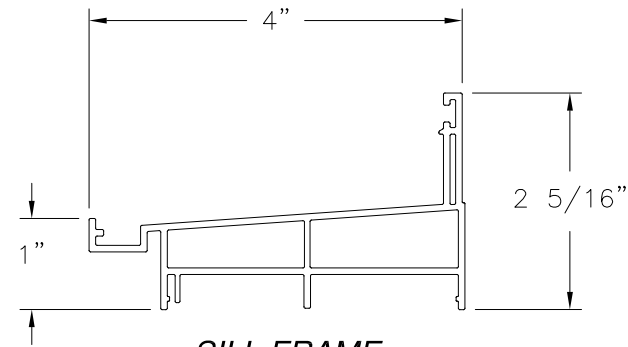


Luis R. Lomas P.E.
TX No.: 101889

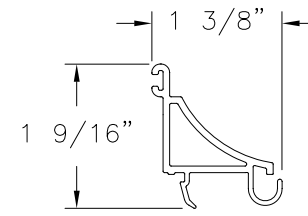
REVISIONS			
REV	DESCRIPTION	DATE	APPROVED
A	REVISED PER NEW STANDARDS	09/17/2020	R.L.



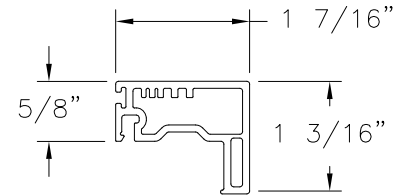
HEAD & JAMB FRAME
RIGID PVC (10005023)



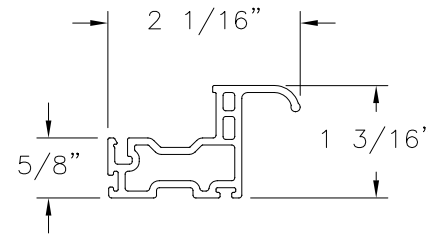
SILL FRAME
RIGID PVC (10005043)



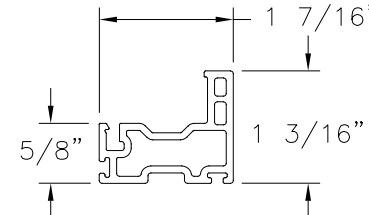
FRAME ADAPTER
RIGID PVC (10005119)



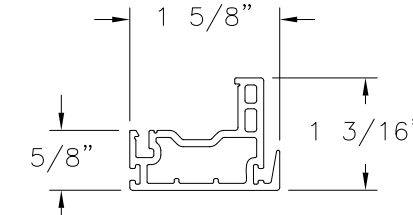
LOCK RAIL
RIGID PVC (10005514)



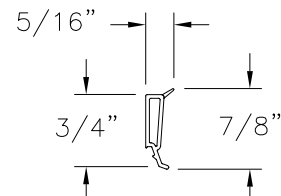
TOP/BOTTOM RAIL
RIGID PVC (10005480)



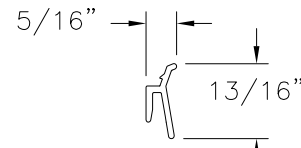
STILE
RIGID PVC (10005510)



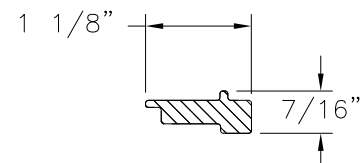
KEEPER RAIL
RIGID PVC (10005515)



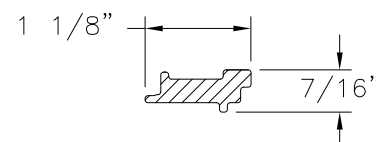
GLAZING BEAD
RIGID PVC (10005470)



INTERLOCK GLAZING BEAD
RIGID PVC (10005551)



LOCK RAIL REINFORCEMENT
FIBERGLASS (10000662)



KEEPER RAIL REINFORCEMENT
FIBERGLASS (10000660)

SIGNED: 09/17/2020

WINDOW MART 5760 ALBERT PIKE ROYAL, AR 71968		
SERIES 2745 VINYL DOUBLE HUNG WINDOW 40" X 63" NON-IMPACT COMPONENTS		
DRAWN: A.R.	DWG NO. 08-03479	REV A
SCALE NTS	DATE 07/30/19	SHEET 5 OF 5
L. ROBERTO LOMAS P.E. 1432 WOODFORD RD LEWISVILLE, NC 27023 434-688-0609 rllomas@rlomaspe.com		



Luis R. Lomas P.E.
TX No.: 101889