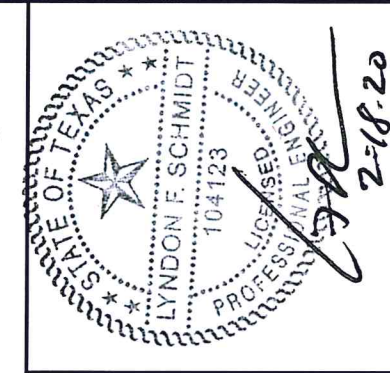
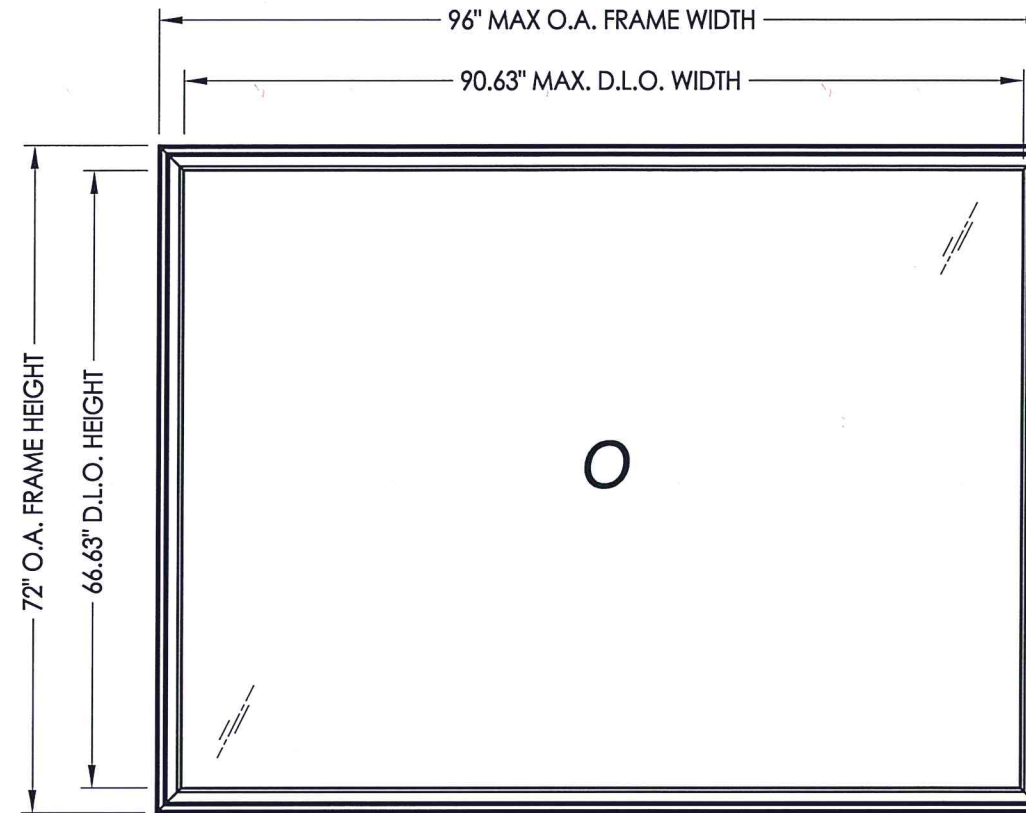


# WINCORE™

## WINDOWS & DOORS

250 Staunton Turnpike, Parkersburg, WV 26104

### 7700/9900 Series Vinyl Fixed Window "NON-IMPACT"



Documents Prepared By: Lyndon F. Schmidt, P.E.  
TEXAS P.E. #104123

**RW** BUILDING CONSULTANTS, INC.  
P.O. Box 230 Valrico FL 33595  
Phone No.: 813.659.9197  
TEXAS BOARD OF PROFESSIONAL ENGINEERS  
CERTIFICATE OF REGISTRATION # F-11852

EVALUATED FOR USE IN THE STATE OF TEXAS

### TDI WIN-1891

The Wincore Fixed Window described herein complies with the 2018 International Residential Code (IRC), Sections R301 & R609 and the 2018 International Building Code (IBC), Sections 1404.13, 1609, 1709.5, 2403 and 2404 subject to the following conditions:

1. Anchors shall be as listed and spaced as shown in the details. Anchor embedment to base material shall be beyond wall dressing or stucco.
2. When used in areas requiring wind-borne debris protection this product is required to be protected with an impact resistant covering that complies with Section R301.2.1.2 of the IRC and Section 1609.1.2 of the IBC.
3. Allowable design pressure requirements must be equal to or less than the design pressure rating shown in the design pressure chart, sheet 1 of this drawing.
4. Conditions not covered by this drawing are subject to further engineering analysis.

TABLE OF CONTENTS

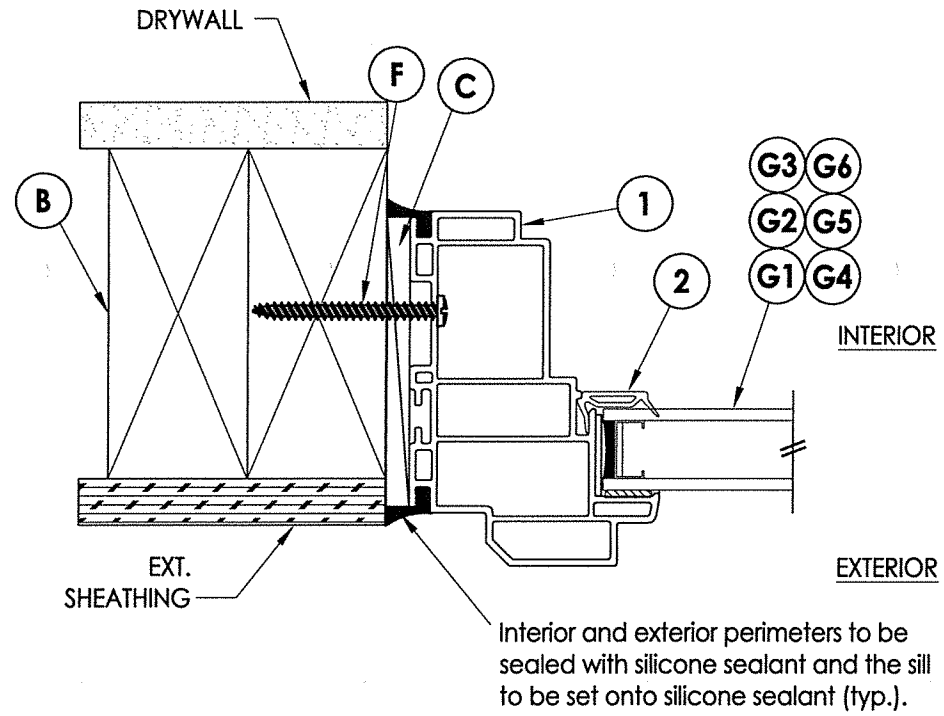
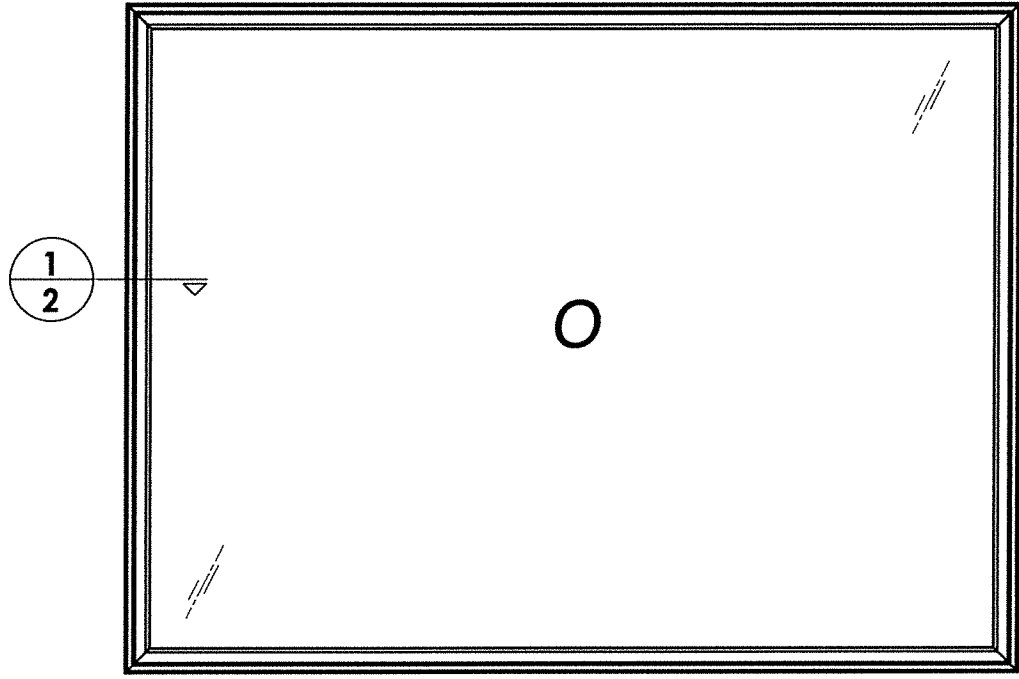
SHEET#	DESCRIPTION
1	Typical elevations, design pressures and general notes
2	Cross section
3	Frame anchoring
4	Bill of materials, components and glazing details

MAX. FRAME DIMENSION	MAX. D.L.O. DIMENSION	GLASS TYPE	DESIGN PRESSURE (PSF)	
			POSITIVE	NEGATIVE
84.0" X 40.0"	78.63" X 34.63"	G1, G4	+35.0	-35.0
60.0" X 60.0"	54.63" X 54.63"	G1, G4	+35.0	-35.0
72.0" X 50.0"	66.63" X 44.63"	G1, G4	+40.0	-40.0
78.0" X 72.0"	72.63" X 66.63"	G2, G5	+45.0	-45.0
84.0" X 66.0"	78.63" X 60.63"	G2, G5	+45.0	-45.0
96.0" X 72.0"	90.63" X 66.63"	G3, G6	+50.0	-50.0
60.0" X 48.0"	54.63" X 42.63"	G1, G4	+50.0	-50.0
53.0" X 53.0"	47.63" X 47.63"	G1, G4	+50.0	-50.0
84.0" X 64.0"	78.63" X 58.63"	G2, G5	+50.0	-50.0
76.0" X 72.0"	70.63" X 66.63"	G2, G5	+50.0	-50.0

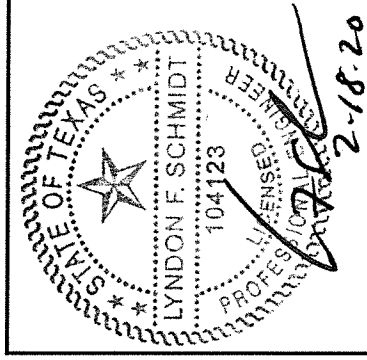
PRODUCT: 7700/9900 SERIES VINYL FIXED WINDOW  
PART OR ASSEMBLY: TYPICAL ELEVATION, DESIGN PRESSURES & GENERAL NOTES

NO.	DATE	REVISIONS
2	1/21/20	UPDATE TO 2018 IRC/IRC ADDED SIZES / GLAZING DETAILS
1	5/19/14	

DATE: 8/05/13  
SCALE: N.T.S.  
DWG. BY: JK  
CHK. BY: LFS  
DRAWING NO.: TX-4352  
SHEET 1 OF 4



**1** CROSS SECTION  
**2**



Documents Prepared By: Lyndon F. Schmidt, P.E.  
TEXAS P.E. #104123

**RW** BUILDING CONSULTANTS, INC.  
P.O. Box 230 Vafrico FL 33595  
Phone No.: 813.659.9197

TEXAS BOARD OF PROFESSIONAL ENGINEERS  
CERTIFICATE OF REGISTRATION # F-11852

PRODUCT: 7700/9900 SERIES VINYL FIXED WINDOW

PART OR ASSEMBLY:

CROSS SECTION

NO.	DATE	REVISIONS
2	1/21/20	UPDATE TO 2018 IBC/IRC
1	5/19/14	ADDED SIZES / GLAZING DETAILS
		LFS
		LFS
		BY

DATE: 8/05/13

SCALE: N.T.S.

DWG. BY: JK

CHK. BY: LFS

DRAWING NO.: TX-4352

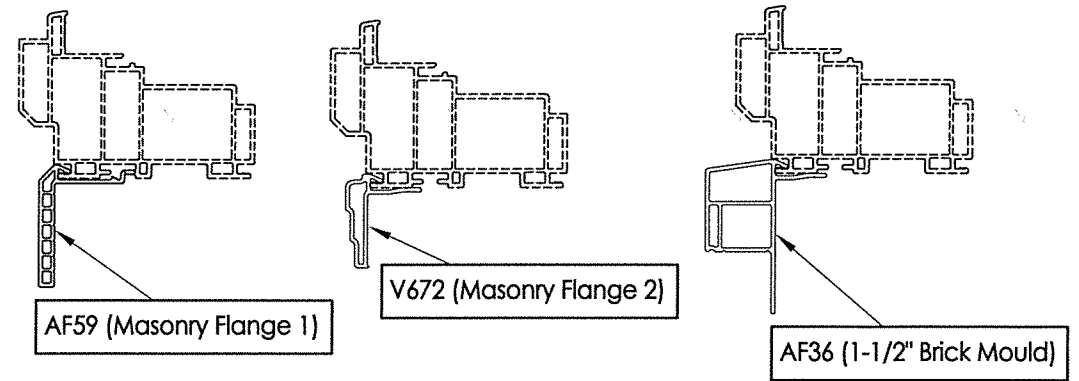
SHEET 2 OF 4



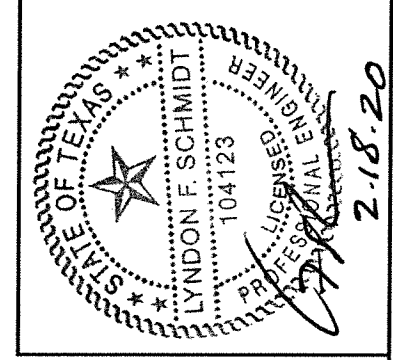
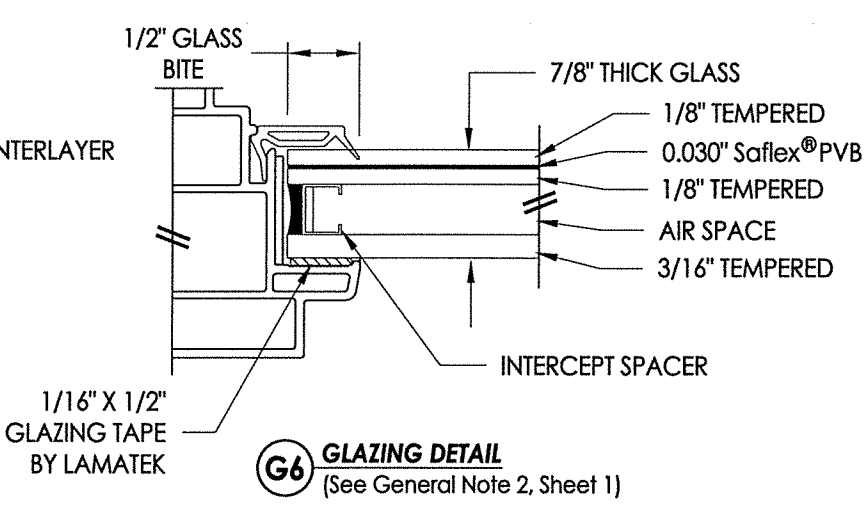
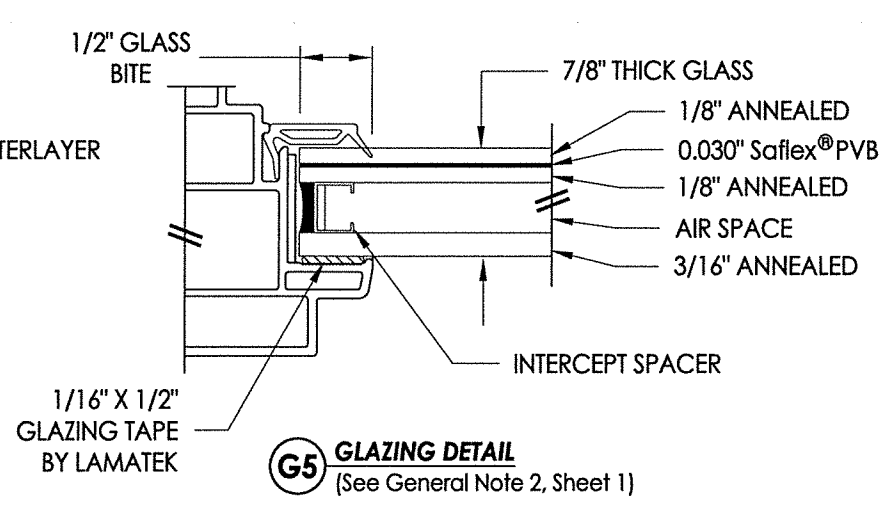
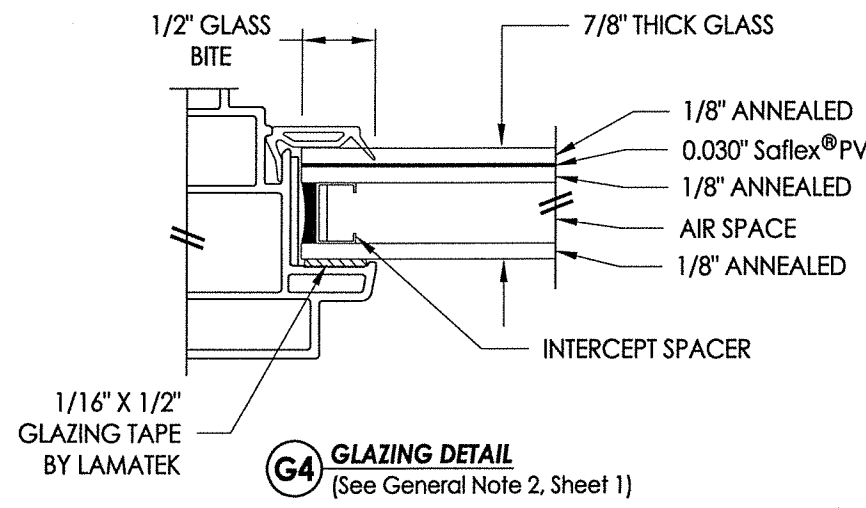
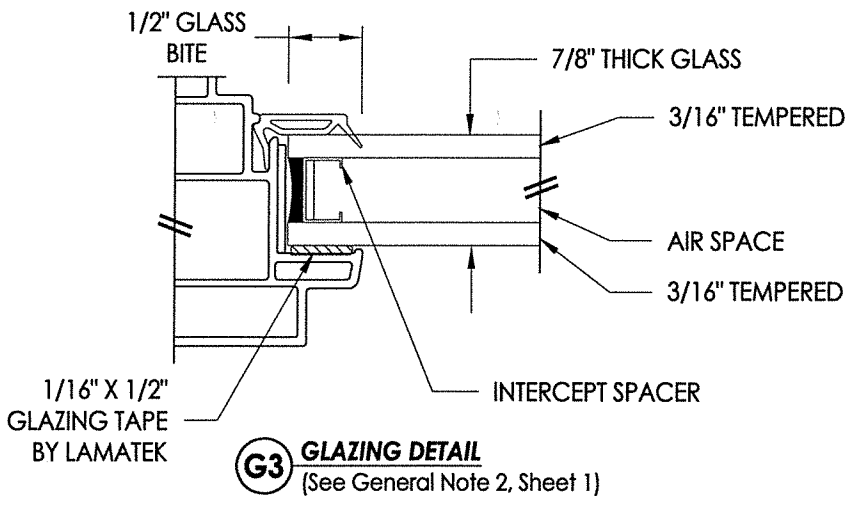
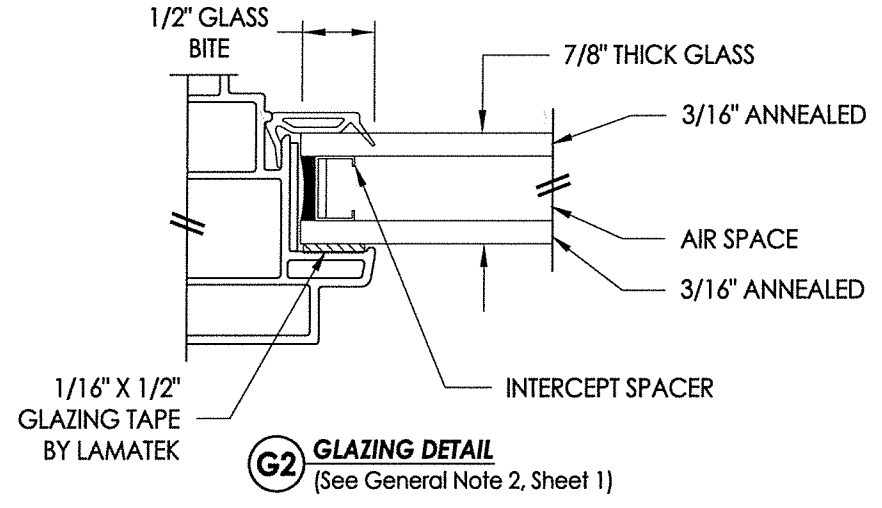
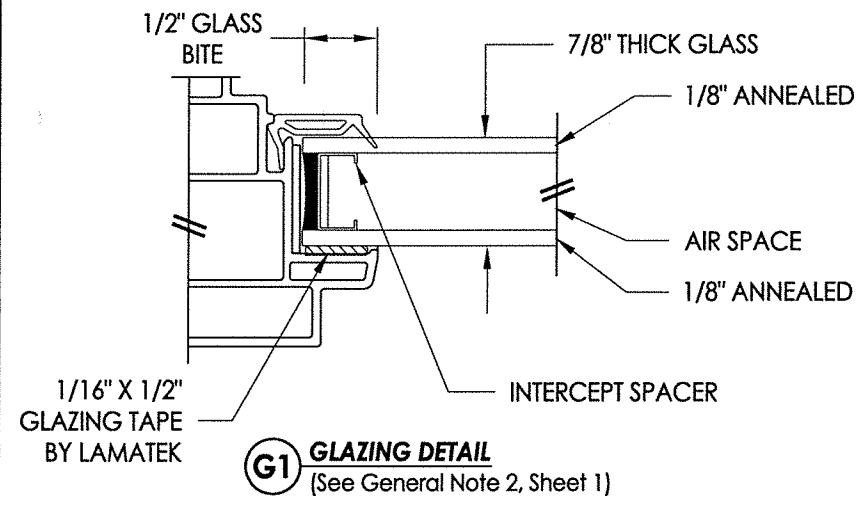
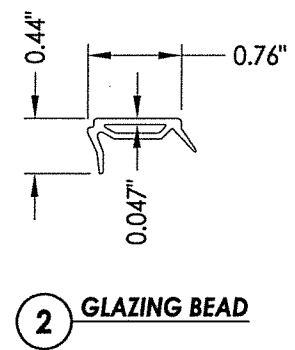
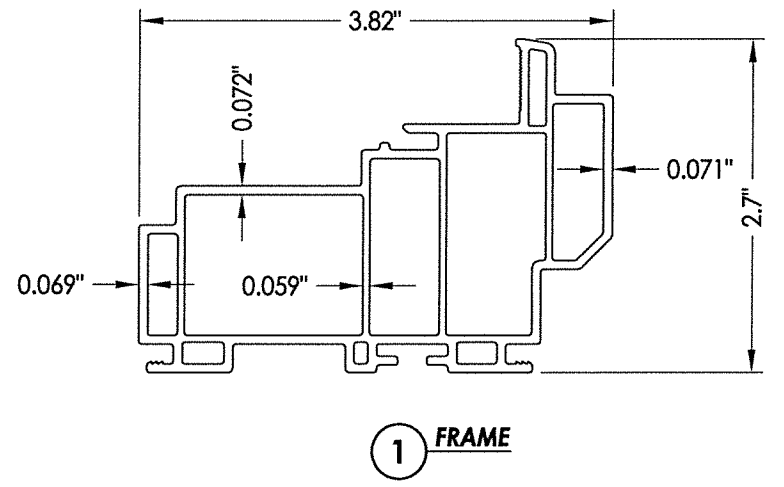
R:\Clients\Wincore PERMANENT\B - Texas Dept of Ins\Fixed Windows\WIN 1891 7700.9900 Series Fixed Windows\C - Drawings\2018 IBC UPDATE\TX-4352.dwg, 4.1

BILL OF MATERIALS		
ITEM #	DESCRIPTION	MATERIAL
B	2X FRAMING (SG >= 0.42)	WOOD
C	1/4" MAX. SHIM SPACE	-
F	#10 X 2" PPH WOOD SCREW	STEEL
1	FRAME (PI7701WH)*	PVC
2	1" GLAZING BEAD (BV79WH)*	PVC

\* THE APPROVED WHITE RIGID PVC EXTERIOR EXTRUSIONS FOR WINDOWS ARE TO BE PRODUCED BY EXTRUDERS LICENSEES IN "AAMA CERTIFICATION PROGRAMS FOR RIGID PVC EXTRUSIONS".



**OPTIONAL COSMETIC FLANGES**



Documents Prepared By: Lyndon F. Schmidt, P.E.  
TEXAS P.E. #104123

**RW** BUILDING CONSULTANTS, INC.  
P.O. Box 230 Valrico FL 33595  
Phone No.: 813.659.9197

TEXAS BOARD OF PROFESSIONAL ENGINEERS  
CERTIFICATE OF REGISTRATION # F-11852

PRODUCT: 7700/9900 SERIES VINYL FIXED WINDOW

PART OR ASSEMBLY: BILL OF MATERIALS, COMPONENTS AND GLAZING DETAILS

NO.	DATE	REVISIONS
2	1/21/20	UPDATE TO 2018 IBC/IRC
1	5/19/14	ADDED SIZES / GLAZING DETAILS

DATE: 8/05/13

SCALE: N.T.S.

DWG. BY: JK

CHK. BY: LFS

DRAWING NO.: TX-4352

SHEET 4 OF 4