


REVISIONS			
REV	DESCRIPTION	DATE	APPROVED
B	REV. TO 2018 IBC/IRC	02/20/20	JR


NOTES:

1. THE PRODUCT SHOWN HEREIN IS DESIGNED AND MANUFACTURED TO COMPLY WITH REQUIREMENTS OF 2018 IBC AND IRC WITH STATE OF TEXAS MODIFICATIONS.
2. WOOD FRAMING AND MASONRY OPENING TO BE DESIGNED AND ANCHORED TO PROPERLY TRANSFER ALL LOADS TO STRUCTURE. FRAMING AND MASONRY OPENING IS THE RESPONSIBILITY OF THE ARCHITECT OR ENGINEER OF RECORD.
3. 1X BUCK OVER MASONRY/CONCRETE IS OPTIONAL. WHERE 1X BUCK IS NOT USED DISSIMILAR MATERIALS MUST BE SEPARATED WITH APPROVED COATING OR MEMBRANE. SELECTION OF COATING OR MEMBRANE IS THE RESPONSIBILITY OF THE ARCHITECT OR ENGINEER OF RECORD.
4. ALLOWABLE STRESS INCREASE OF 1/3 WAS NOT USED IN THE DESIGN OF THE PRODUCT SHOWN HEREIN. WIND LOAD DURATION FACTOR  $C_d=1.6$  WAS USED FOR WOOD ANCHOR CALCULATIONS.
5. FRAME MATERIAL: ALUMINUM 6063-T6.
6. UNITS MUST BE GLAZED PER ASTM E1300-04, SEE SHEET 3 FOR GLASS OPTIONS.
7. APPROVED IMPACT PROTECTIVE SYSTEM IS REQUIRED FOR THIS PRODUCT IN WIND BORNE DEBRIS REGIONS.
8. SHIM AS REQUIRED AT EACH INSTALLATION ANCHOR WITH LOAD BEARING SHIM. SHIM WHERE SPACE OF 1/16" OR GREATER OCCURS. MAXIMUM ALLOWABLE SHIM STACK TO BE 1/4".
9. FOR ANCHORING INTO WOOD FRAMING OR 2X BUCK USE #14 WOOD SCREWS WITH SUFFICIENT LENGTH TO ACHIEVE A 1 7/16" MINIMUM EMBEDMENT INTO SUBSTRATE. LOCATE ANCHORS AS SHOWN IN ELEVATIONS AND INSTALLATION DETAILS.
10. FOR ANCHORING INTO MASONRY/CONCRETE USE 1/4" TAPCONS WITH SUFFICIENT LENGTH TO ACHIEVE A 1 1/4" MINIMUM EMBEDMENT INTO SUBSTRATE WITH 2 1/2" MINIMUM EDGE DISTANCE. LOCATE ANCHORS AS SHOWN IN ELEVATIONS AND INSTALLATION DETAILS.
11. FOR ANCHORING INTO METAL STRUCTURE USE #14 SMS OR SELF DRILLING SCREWS WITH SUFFICIENT LENGTH TO ACHIEVE 3 THREADS MINIMUM BEYOND STRUCTURE INTERIOR WALL. LOCATE ANCHORS AS SHOWN IN ELEVATIONS AND INSTALLATION DETAILS.
12. ALL FASTENERS TO BE CORROSION RESISTANT.
13. INSTALLATION ANCHORS SHALL BE INSTALLED IN ACCORDANCE WITH ANCHOR MANUFACTURER'S INSTALLATION INSTRUCTIONS AND ANCHORS SHALL NOT BE USED IN SUBSTRATES WITH STRENGTHS LESS THAN THE MINIMUM STRENGTH SPECIFIED BELOW:
  - A. WOOD - MINIMUM SPECIFIC GRAVITY OF  $G=0.42$
  - B. CONCRETE - MINIMUM COMPRESSIVE STRENGTH OF 3,192 PSI.
  - C. MASONRY - STRENGTH CONFORMANCE TO ASTM C-90, GRADE N, TYPE 1 (OR GREATER).
  - D. METAL STRUCTURE: STEEL 18GA, 33KSI OR ALUMINUM 6063-T5 1/8" THICK MINIMUM
14. SEALANT DETAILS TO BE DESIGNED IN ACCORDANCE WITH ASTM E 2112. SEALANT DETAILS DESIGN ARE THE RESPONSIBILITY OF THE GENERAL CONTRACTOR, OR THE ARCHITECT OR ENGINEER OF RECORD.

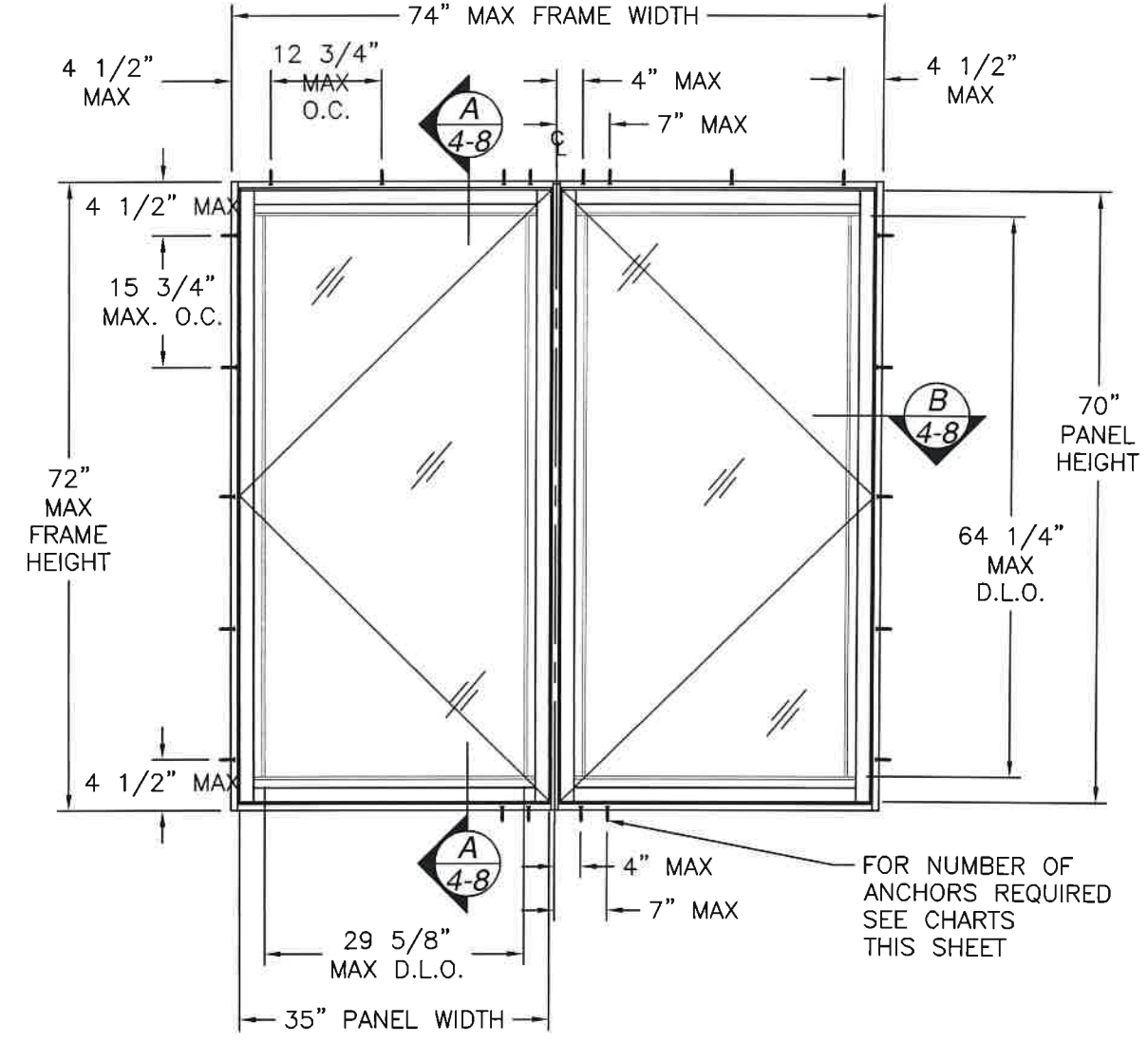
SIGNED: 02/20/20

TABLE OF CONTENTS	
SHEET NO.	DESCRIPTION
1	NOTES
2	ELEVATIONS
3	B.O.M. AND GLAZING DETAILS
4	CROSS SECTIONS
5 - 8	INSTALLATION DETAILS
9	COMPONENTS

		7500 AMSTERDAM DRIVE ORLANDO, FL 32832 Phone: 407-481-8400 Fax: 407-481-0505 <a href="http://www.windoorinc.com">www.windoorinc.com</a>	
<b>9060 CASEMENT TWIN WINDOW NON-IMPACT NOTES</b>			
DRAWN: V.L.	DWG NO. 08-01955	REV B	
SCALE NTS	DATE 01/28/13	SHEET 1 OF 9	


ANTHONY LYNN MILLER 106954 LICENSED PROFESSIONAL ENGINEER
A. LYNN MILLER, P.E. P.E. # 106954

REVISIONS			
REV	DESCRIPTION	DATE	APPROVED
B	REV. TO 2018 IBC/IRC	02/20/20	JR



Number of anchor locations required for twin units																				
Frame Height (in)	Frame width (in)																			
	24.00				36.00				48.00				60.00				74.00			
	Head	Jamb	Mull head cluster	Mull sill cluster	Head	Jamb	Mull head cluster	Mull sill cluster	Head	Jamb	Mull head cluster	Mull sill cluster	Head	Jamb	Mull head cluster	Mull sill cluster	Head	Jamb	Mull head cluster	Mull sill cluster
24.00	2	2	1	1	2	2	1	1	3	2	1	2	3	2	1	2	4	2	1	2
30.00	2	3	1	1	2	3	1	2	3	3	1	2	3	3	1	2	4	3	1	3
36.00	2	3	1	1	2	3	1	2	3	3	2	2	3	3	2	3	4	3	2	3
42.00	2	4	1	2	2	4	2	2	3	4	2	3	3	4	2	3	4	4	2	4
48.00	2	4	2	2	2	4	2	2	3	4	2	3	3	4	3	3	4	4	3	4
54.00	2	4	2	2	2	4	2	2	3	4	3	3	3	4	3	4	4	4	3	5
60.00	2	5	2	2	2	5	2	3	3	5	3	3	3	5	3	4	4	5	4	5
66.00	2	5	2	2	2	5	3	3	3	5	3	4	3	5	4	5	4	5	4	5
72.00	2	5	2	2	2	5	3	3	3	5	3	4	3	5	4	5	4	5	5	6

**9060 CASEMENT TWIN WINDOW**  
EXTERIOR VIEW

DESIGN PRESSURE RATING	IMPACT RATING
±100.0PSF	NONE

FOR NUMBER OF ANCHORS REQUIRED SEE CHARTS THIS SHEET

- CORNER CONSTRUCTION:
- FRAME CORNERS ARE ASSEMBLED USING TWO CORNER KEYS: EXTERIOR KEY (ITEM 25) AND INTERIOR KEY (ITEM 26)
  - SASH CORNERS ARE ASSEMBLED USING TWO CORNER KEYS: EXTERIOR KEY (ITEM 25) AND INTERIOR KEY (ITEM 24)

**WinDoor**  
INCORPORATED

7500 AMSTERDAM DRIVE  
ORLANDO, FL 32832  
Phone: 407.481.8400  
Fax: 407.481.0505  
www.windoorinc.com

**9060 CASEMENT TWIN WINDOW**  
NON-IMPACT  
ELEVATIONS

DRAWN: V.L.	DWG NO. 08-01955	REV B
SCALE NTS	DATE 01/28/13	SHEET 2 OF 9

SIGNED: 02/20/20

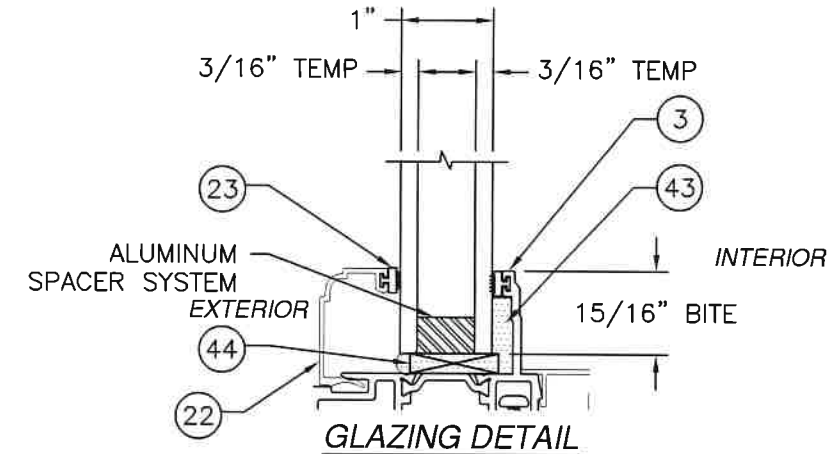


A. LYNN MILLER, P.E.  
P.E. # 106954

PARTS LIST				
NO.	PART NUMBER	DESCRIPTION	MANUFACTURER	MATERIAL
1	9060A02	FLUSH FRAME ASSEMBLY	KEYMARK	ALUMINUM 6063-T6
2	9060A04	FLANGE FRAME ASSEMBLY	KEYMARK	ALUMINUM 6063-T6
3	9060A01	SASH ASSEMBLY	KEYMARK	ALUMINUM 6063-T6
4	9060A03	COMMON POST	KEYMARK	ALUMINUM 6063-T6
5	S51989	HORIZONTAL SCREEN ADAPTER	KEYMARK	ALUMINUM 6063-T6
6	S51990	VERTICAL SCREEN ADAPTER	KEYMARK	ALUMINUM 6063-T6
7	H50/0-55-0521	ENCORE DUAL ARM OPERATOR	TRUTH	
8	H50/0-55-0522P	ENCORE DUAL ARM OPERATOR	TRUTH	
9	12510.00.0520	STUD BRACKET LEFT HAND HINGE	TRUTH	
10	12511.00.0520	STUD BRACKET RIGHT HAND HINGE	TRUTH	
11	64.59.00.201	14.10 WASHABILITY HINGE	TRUTH	
12	24.30.XX.004	LOCK ASSEMBLY	TRUTH	
13	23050.00.0500	LOCK SUPPORT PLATE	TRUTH	
14	9000LH-HD	KEEPER LEFT HAND - HD	SELJAN	
15	9000RH-HD	KEEPER RIGHT HAND - HD	SELJAN	
16	11914	TIE BAR 6 POINT	TRUTH	
17	11914	TIE BAR 5 POINT	TRUTH	
18	12075P001	TIE BAR GUIDE	TRUTH	
19	900130	FRAME & SASH SNUBBER	ROTO	
20	H1579-SS-0520P	OPERATOR TRACK & SLIDER ASSY	TRUTH	
21	S46329	GLASS STOP 7/16" - 9/16"	KEYMARK	ALUMINUM 6063-T6
22	S46084	GLASS STOP 1"	KEYMARK	ALUMINUM 6063-T6
23	TP1051	#6 GLAZING VINYL	TEAM PLASTICS	
24	FS07438	INTERIOR SASH CORNER KEY	KEYMARK	ALUMINUM 6063-T6
25	FS07440	SASH & FRAME CORNER KEY	KEYMARK	ALUMINUM 6063-T6
26	FH07439	EXTERIOR FRAME CORNER KEY	KEYMARK	ALUMINUM 6063-T6
27	FH07574	SCREEN FRAME	KEYMARK	ALUMINUM 6063-T6
28	FH05838	SCREEN FLANGE FRAME	KEYMARK	ALUMINUM 6063-T6
29	S10010-BL-2200R	SCREEN SPLINE		
30	SBV-XX-0600Z	SCREEN CLOTH	ULTRAFAB	
31	QEZ 376	Q-LON FOAM FLAP SEAL	SCHLEGEL	
32	54076	WEATHERSTRIP	LAUREN MFG.	EPDM SPONGE
33	54578	WEATHERSTRIP	LAUREN MFG.	EPDM RUBBER
34	121998	.187"X.200" FIN SEAL	ULTRA FAB	
35		#8 X 3/8" PPH		
36		#8 X 1/2" PPH		
37		#8 X 1/2" PPH		
38		#8 X 1 1/4" PPH		
39		#10 X 1/2" PPH		
40		LOCK HANDLE		

REVISIONS			
REV	DESCRIPTION	DATE	APPROVED
B	REV. TO 2018 IBC/IRC	02/20/20	JR

PARTS LIST				
NO.	PART NUMBER	DESCRIPTION	MANUFACTURER	MATERIAL
41		#10 X 3/4" & #10 X 1 1/4" PFH		
42		#10 X 3" PPH SELF-DRILLING		
43	SIKAFLEX 552	POLYURETHANE	SIKA	SEALANT
44	01-100-7755-002	NEOPRENE GLASS SHIMS	FRANK LOWE	DUROMETER 80



**WinDoor**  
INCORPORATED

7500 AMSTERDAM DRIVE  
ORLANDO, FL 32832  
Phone: 407.481.8400  
Fax: 407.481.0505  
www.windoorinc.com

**9060 CASEMENT TWIN WINDOW  
NON-IMPACT  
B.O.M. & GLAZING DETAILS**

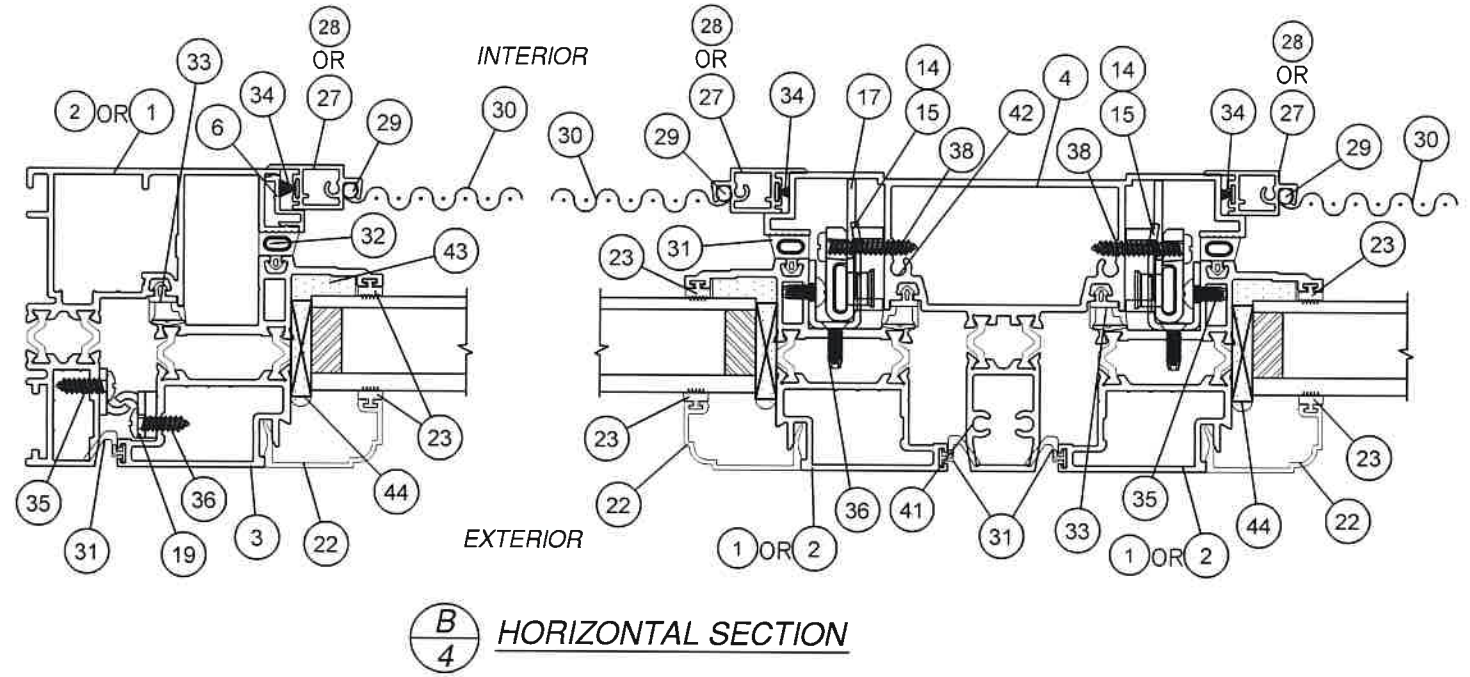
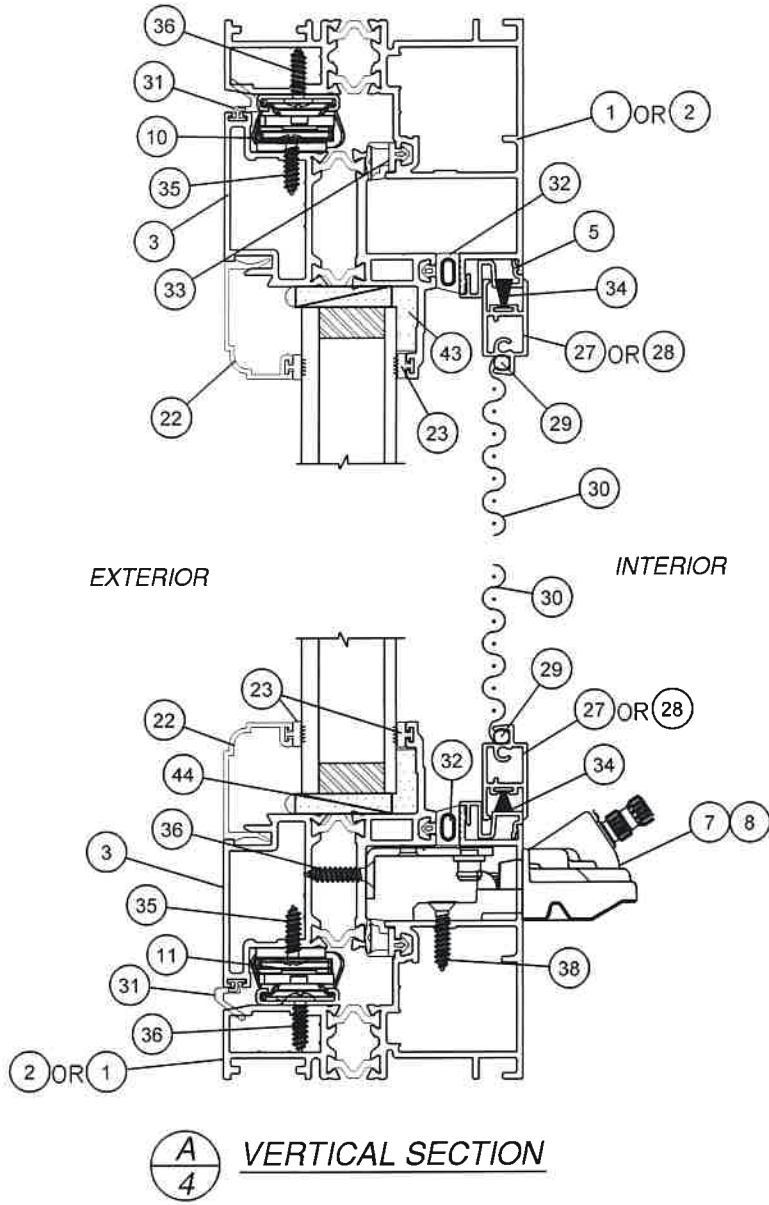
DRAWN: V.L.	DWG NO. 08-01955	REV B
SCALE NTS	DATE 01/28/13	SHEET 3 OF 9

SIGNED: 02/20/20

STATE OF TEXAS  
ANTHONY LYNN MILLER  
106954  
LICENSED PROFESSIONAL ENGINEER

A. LYNN MILLER, P.E.  
P.E. # 106954

REVISIONS			
REV	DESCRIPTION	DATE	APPROVED
B	REV. TO 2018 IBC/IRC	02/20/20	JR



**WinDoor**  
INCORPORATED

7500 AMSTERDAM DRIVE  
ORLANDO, FL 32832  
Phone: 407.481.8400  
Fax: 407.481.0505  
www.windoorinc.com

9060 CASEMENT TWIN WINDOW  
NON-IMPACT  
CROSS SECTIONS

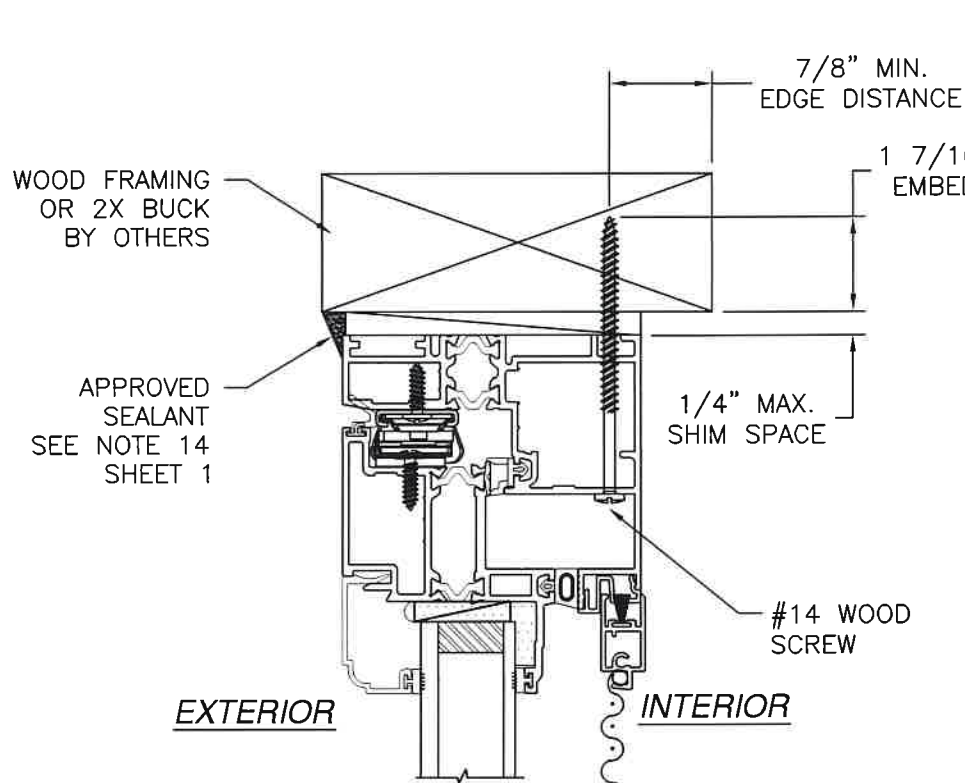
DRAWN: V.L.	DWG NO. 08-01955	REV B
SCALE NTS	DATE 01/28/13	SHEET 4 OF 9

SIGNED: 02/20/20

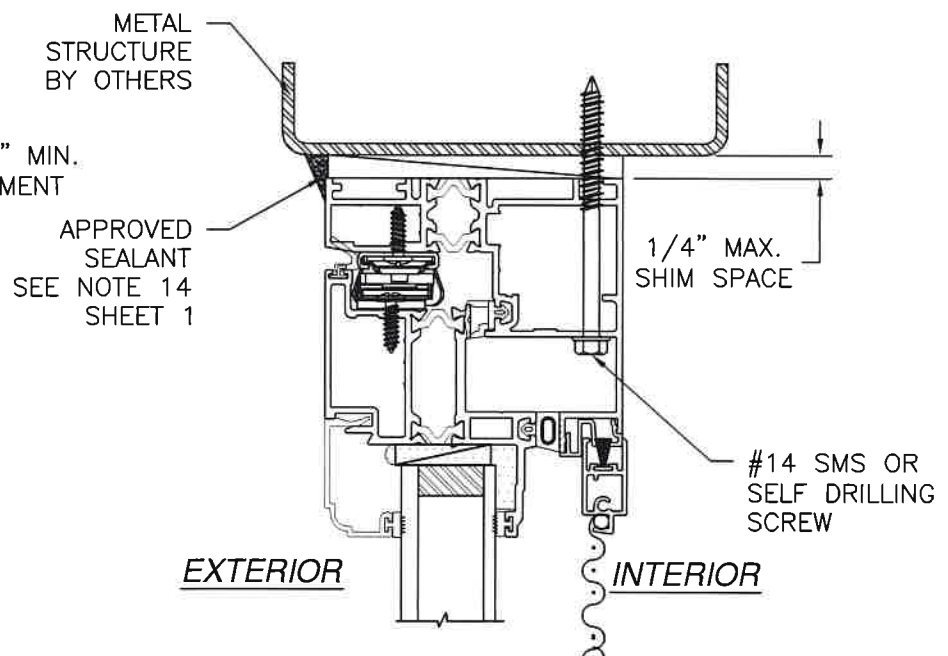


A. LYNN MILLER, P.E.  
P.E. # 106954

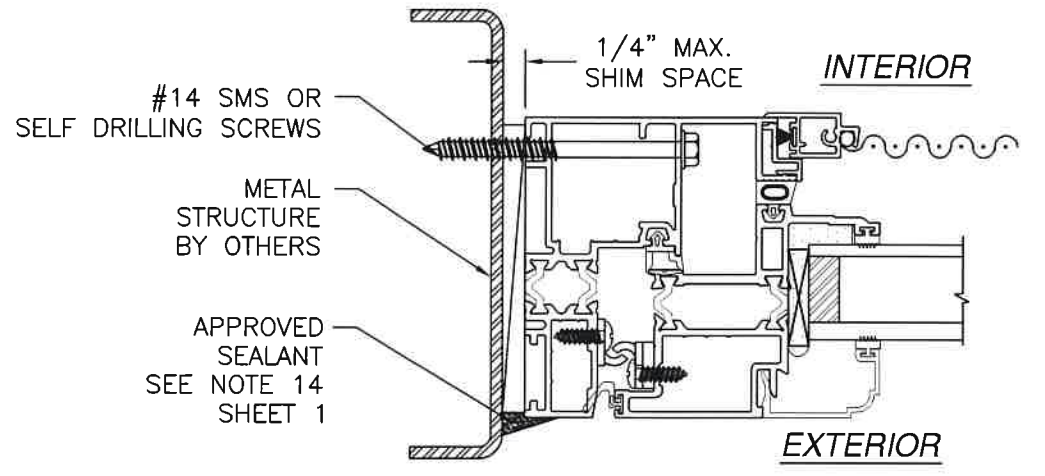
REVISIONS			
REV	DESCRIPTION	DATE	APPROVED
B	REV. TO 2018 IBC/IRC	02/20/20	JR



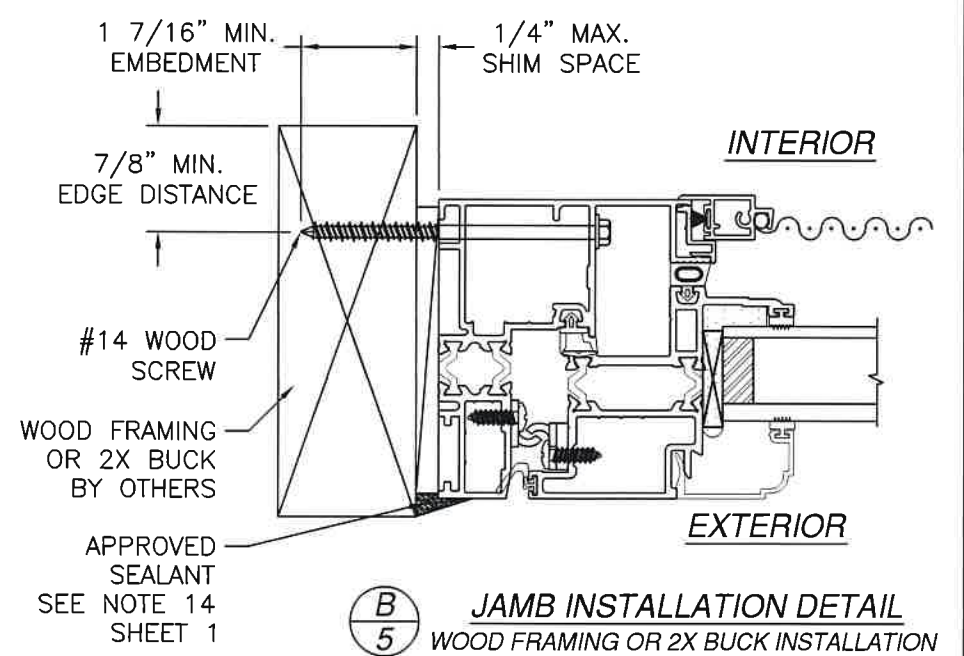
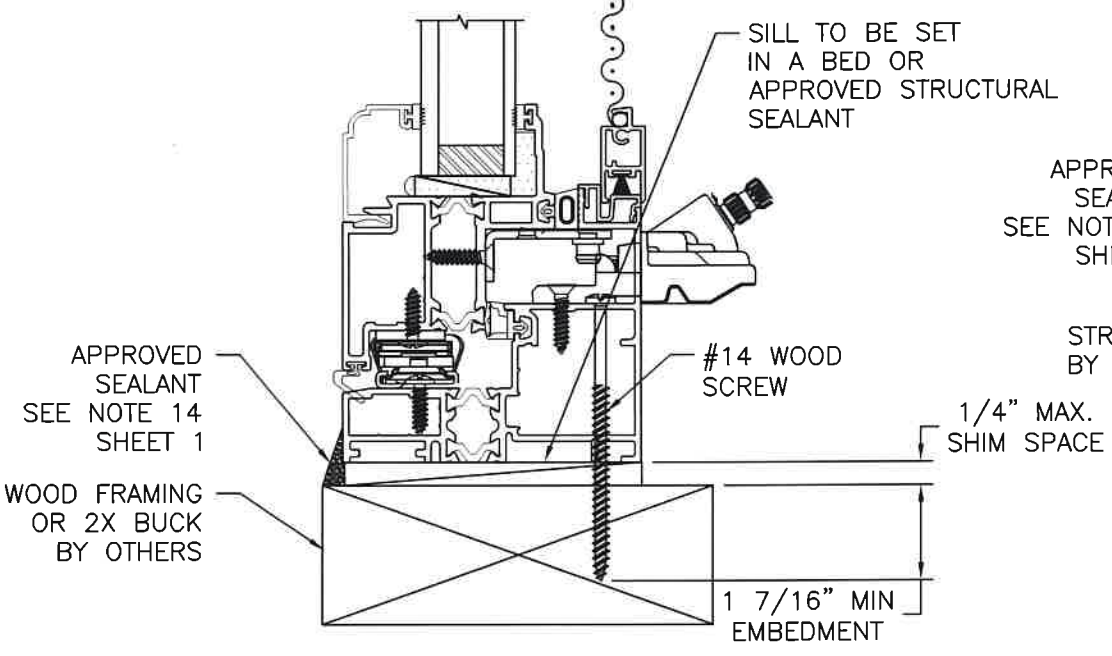
**A**  
**5** VERTICAL CROSS SECTION  
WOOD FRAMING OR 2X BUCK INSTALLATION



**A**  
**5** VERTICAL CROSS SECTION  
METAL STRUCTURE INSTALLATION



**B**  
**5** JAMB INSTALLATION DETAIL  
METAL STRUCTURE INSTALLATION



**B**  
**5** JAMB INSTALLATION DETAIL  
WOOD FRAMING OR 2X BUCK INSTALLATION

NOTE:  
INTERIOR AND EXTERIOR FINISHES, BY OTHERS, NOT  
SHOWN FOR CLARITY.

**WinDoor**  
INCORPORATED

7500 AMSTERDAM DRIVE  
ORLANDO, FL 32832  
Phone: 407.481.8400  
Fax: 407.481.0505  
www.windoorinc.com

9060 CASEMENT TWIN WINDOW  
NON-IMPACT  
FLUSH INSTALLATION DETAILS

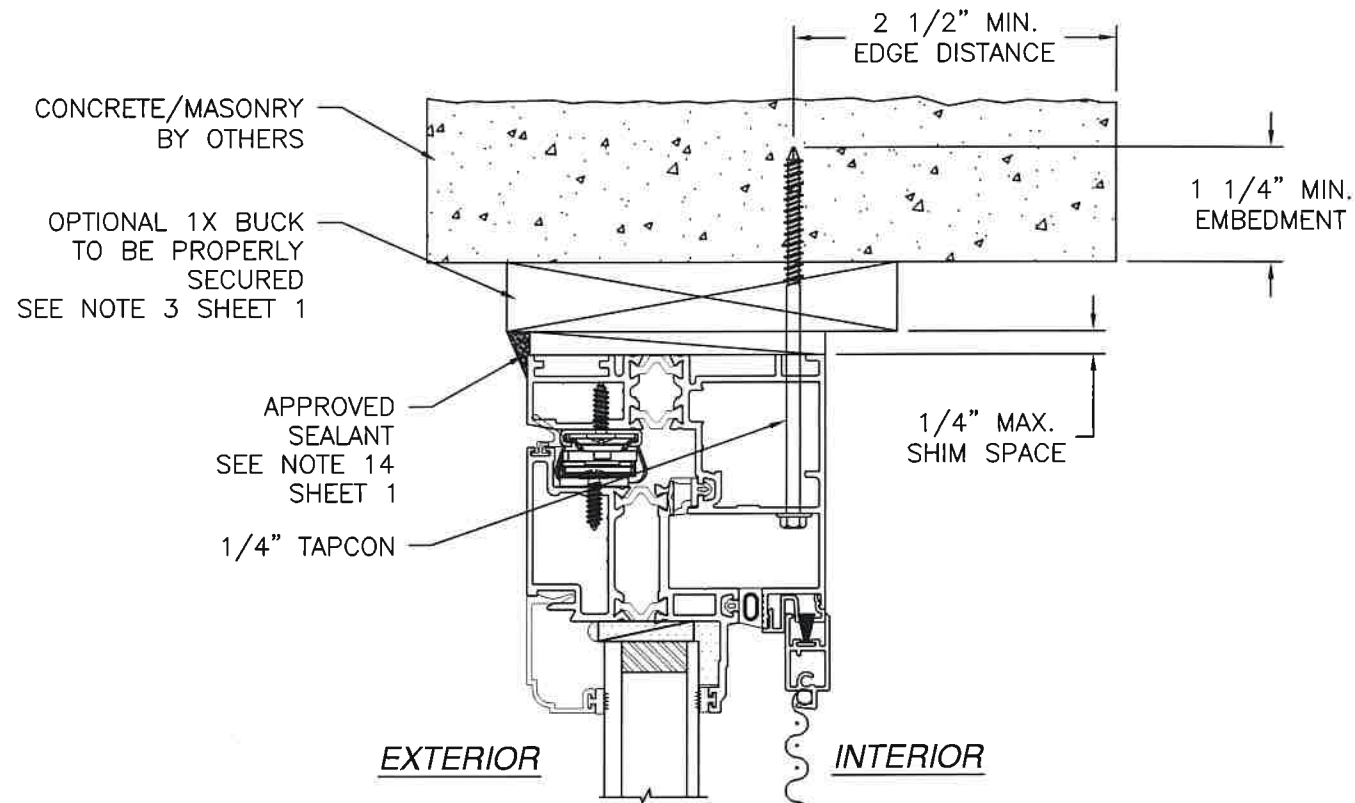
DRAWN: V.L.	DWG NO. 08-01955	REV B
SCALE NTS	DATE 01/28/13	SHEET 5 OF 9

SIGNED: 02/20/20

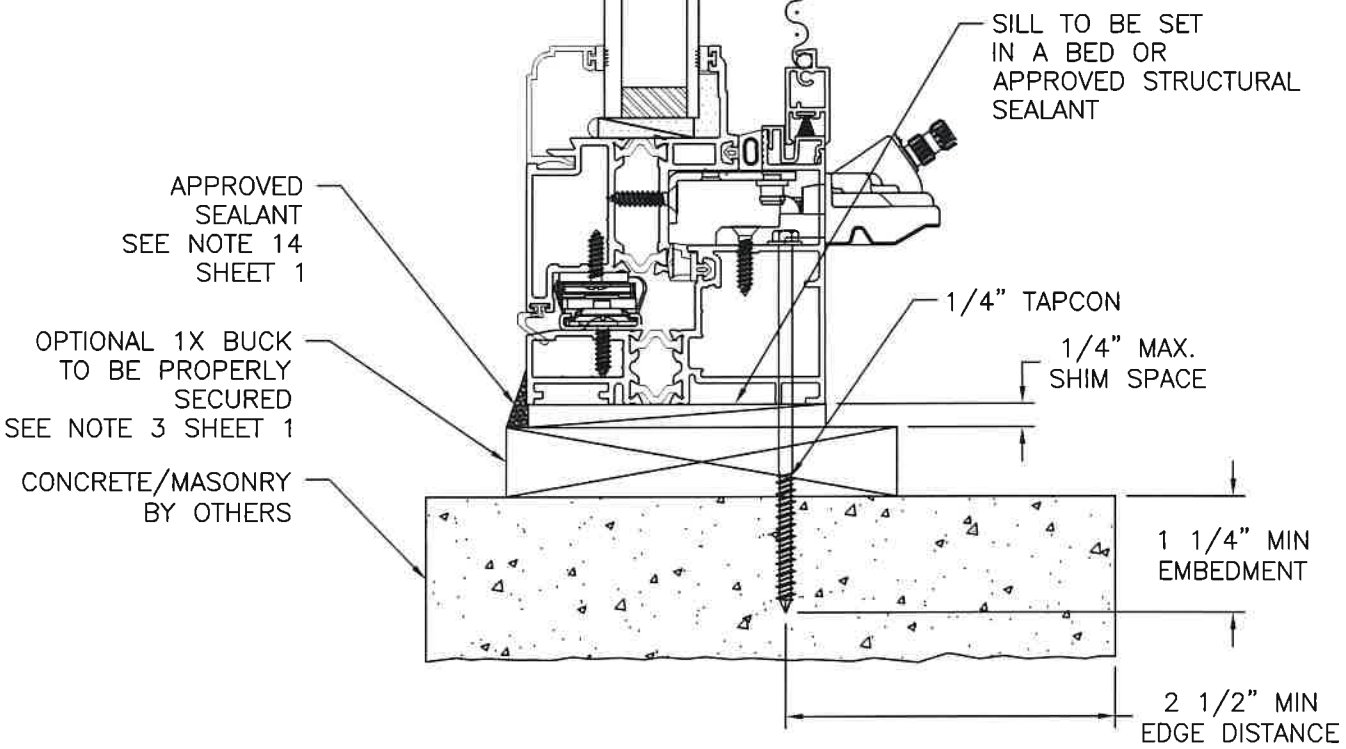


A. LYNN MILLER, P.E.  
P.E. # 106954

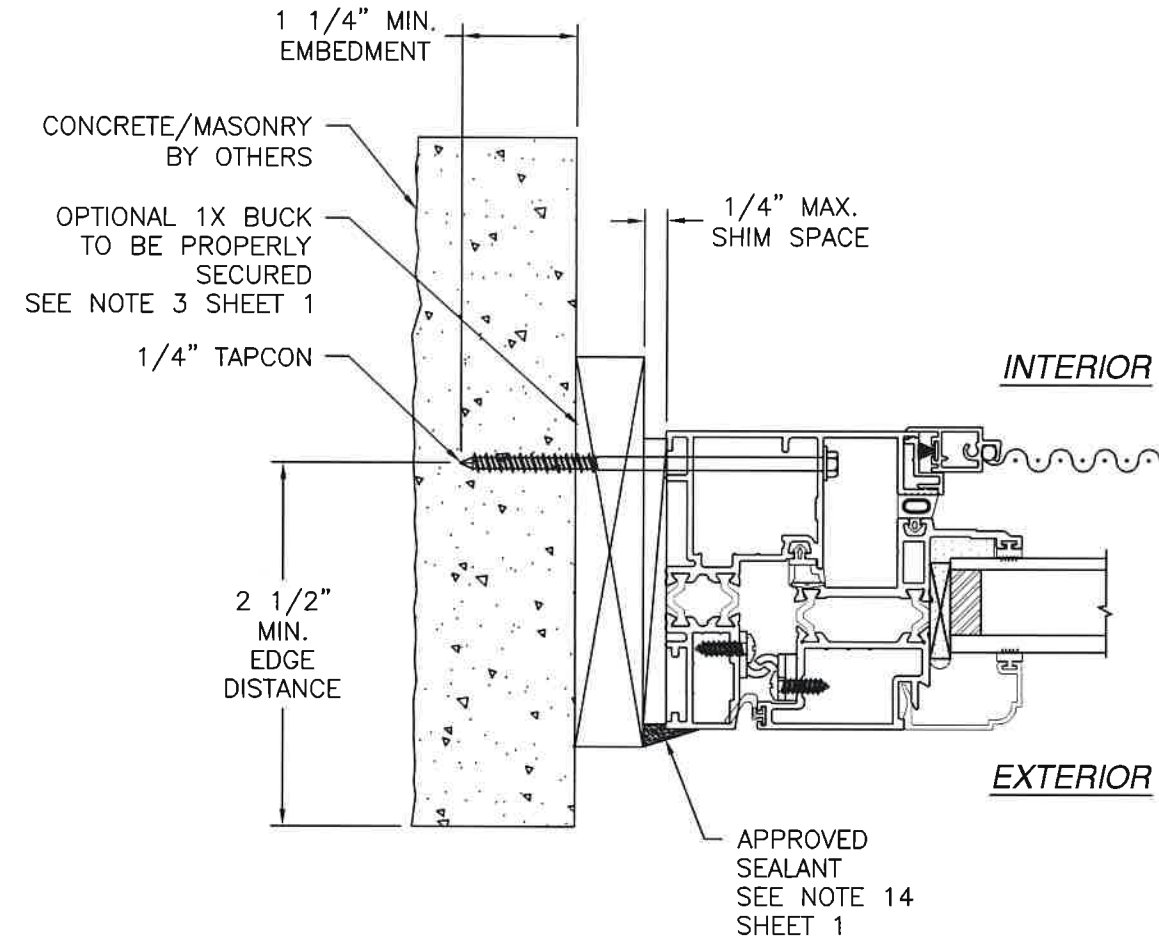
REVISIONS			
REV	DESCRIPTION	DATE	APPROVED
B	REV. TO 2018 IBC/IRC	02/20/20	JR



EXTERIOR INTERIOR



**A**  
6 **VERTICAL CROSS SECTION**  
CONCRETE/MASONRY INSTALLATION



**B**  
6 **JAMB INSTALLATION DETAIL**  
CONCRETE/MASONRY INSTALLATION

NOTE:  
INTERIOR AND EXTERIOR FINISHES, BY OTHERS, NOT SHOWN FOR CLARITY.

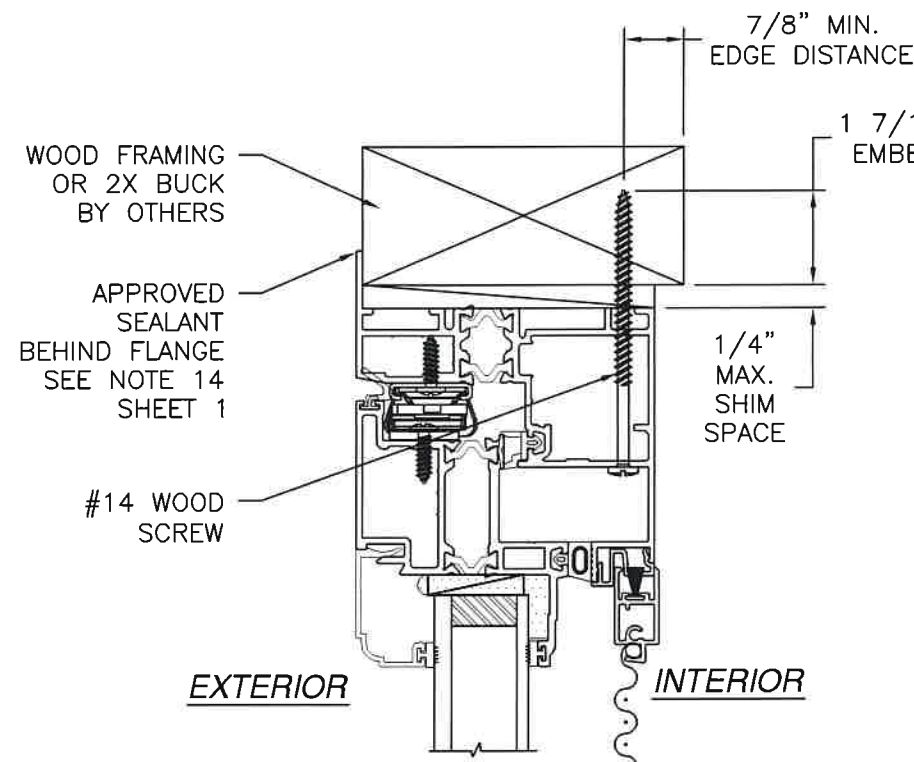
SIGNED: 02/20/20

<b>WinDoor</b> INCORPORATED		7500 AMSTERDAM DRIVE ORLANDO, FL 32832 Phone: 407-481-8400 Fax: 407-481-0505 www.windoorinc.com
9060 CASEMENT TWIN WINDOW NON-IMPACT FLUSH INSTALLATION DETAILS		
DRAWN: V.L.	DWG. NO. 08-01955	REV B
SCALE NTS	DATE 01/28/13	SHEET 6 OF 9

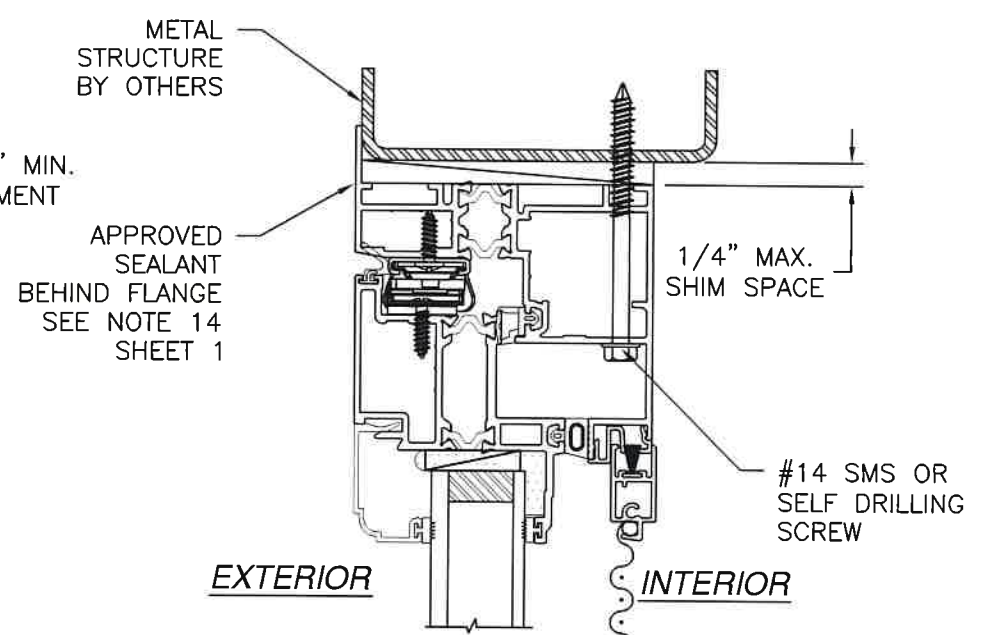


A. LYNN MILLER, P.E.  
P.E. # 106954

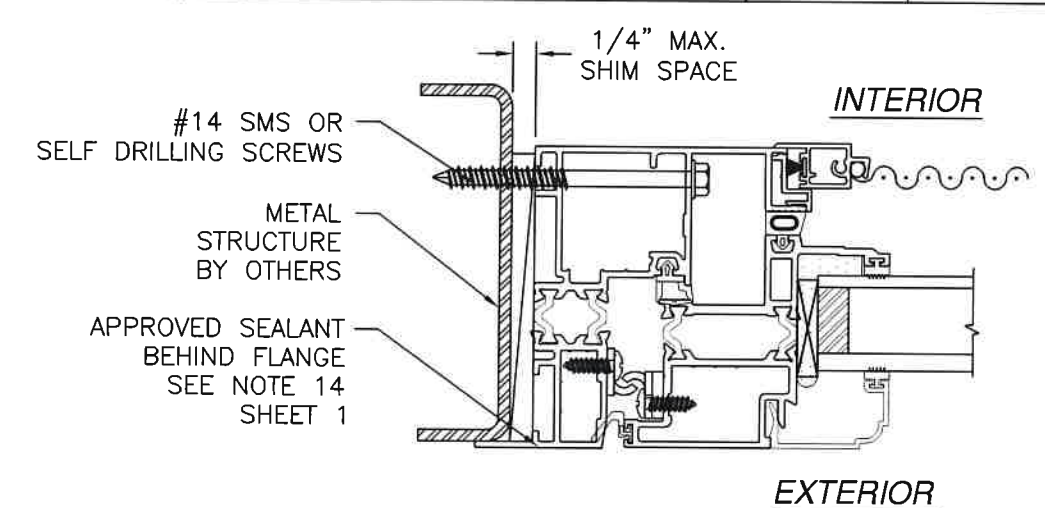
REVISIONS			
REV	DESCRIPTION	DATE	APPROVED
B	REV. TO 2018 IBC/IRC	02/20/20	JR



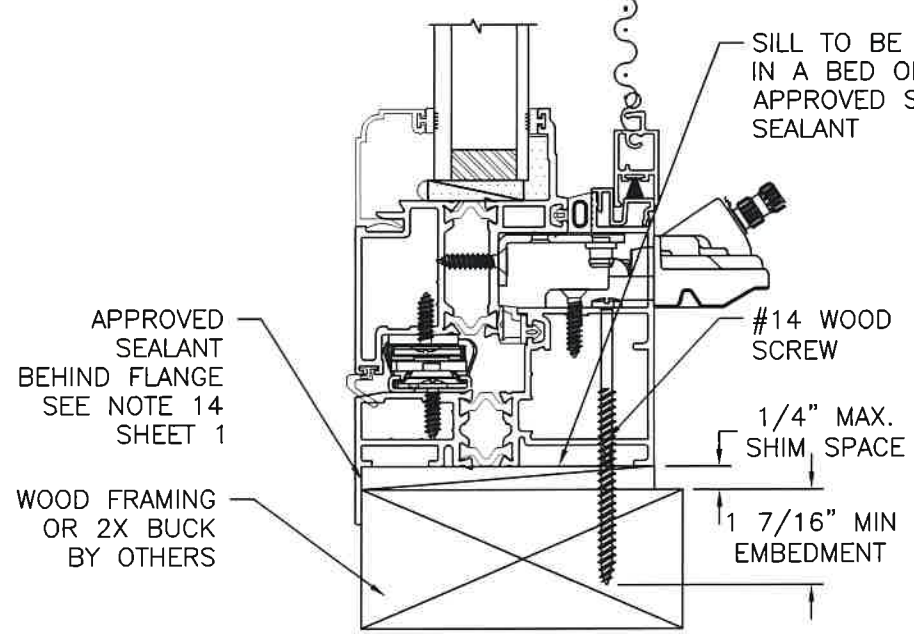
**A**  
**7** VERTICAL CROSS SECTION  
WOOD FRAMING OR 2X BUCK INSTALLATION



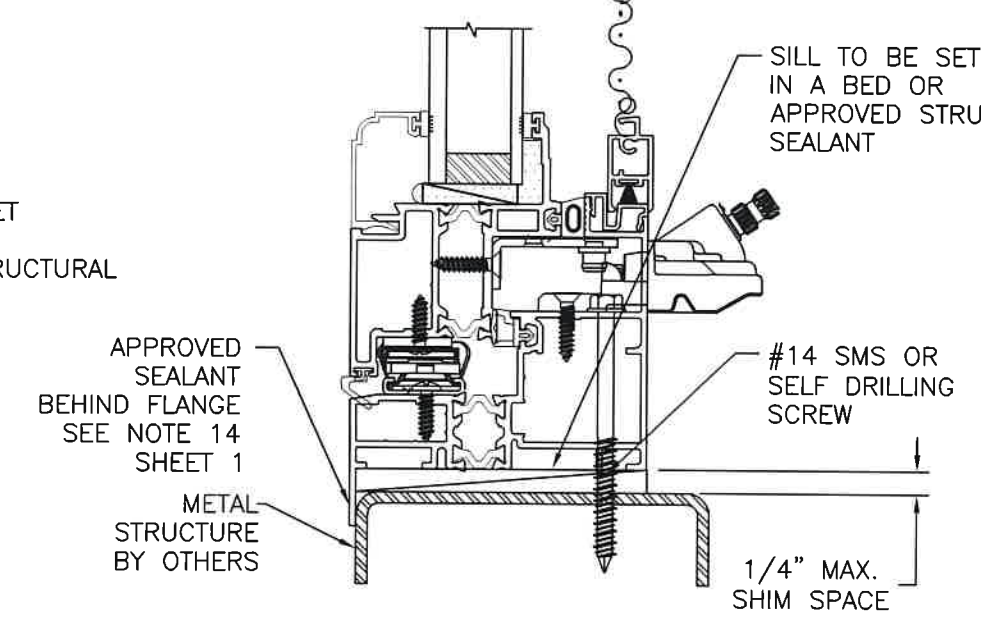
**A**  
**7** VERTICAL CROSS SECTION  
METAL STRUCTURE INSTALLATION



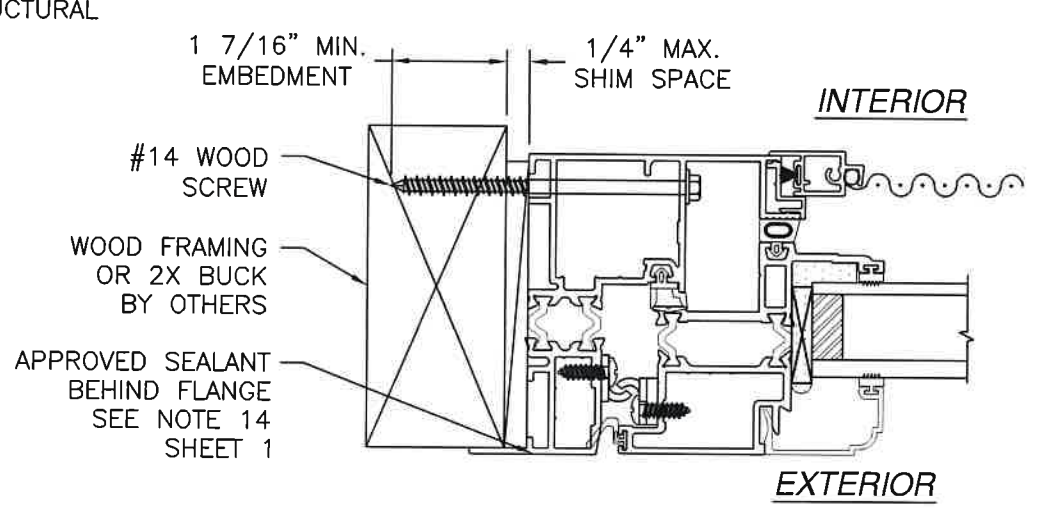
**B**  
**7** JAMB INSTALLATION DETAIL  
METAL STRUCTURE INSTALLATION



**A**  
**7** VERTICAL CROSS SECTION  
WOOD FRAMING OR 2X BUCK INSTALLATION



**A**  
**7** VERTICAL CROSS SECTION  
METAL STRUCTURE INSTALLATION



**B**  
**7** JAMB INSTALLATION DETAIL  
WOOD FRAMING OR 2X BUCK INSTALLATION

NOTE:  
INTERIOR AND EXTERIOR FINISHES, BY OTHERS, NOT SHOWN FOR CLARITY.

**WinDoor**  
INCORPORATED

7500 AMSTERDAM DRIVE  
ORLANDO, FL 32832  
Phone: 407.481.8400  
Fax: 407.481.0505  
www.windoorinc.com

9060 CASEMENT TWIN WINDOW  
NON-IMPACT  
FLANGE INSTALLATION DETAILS

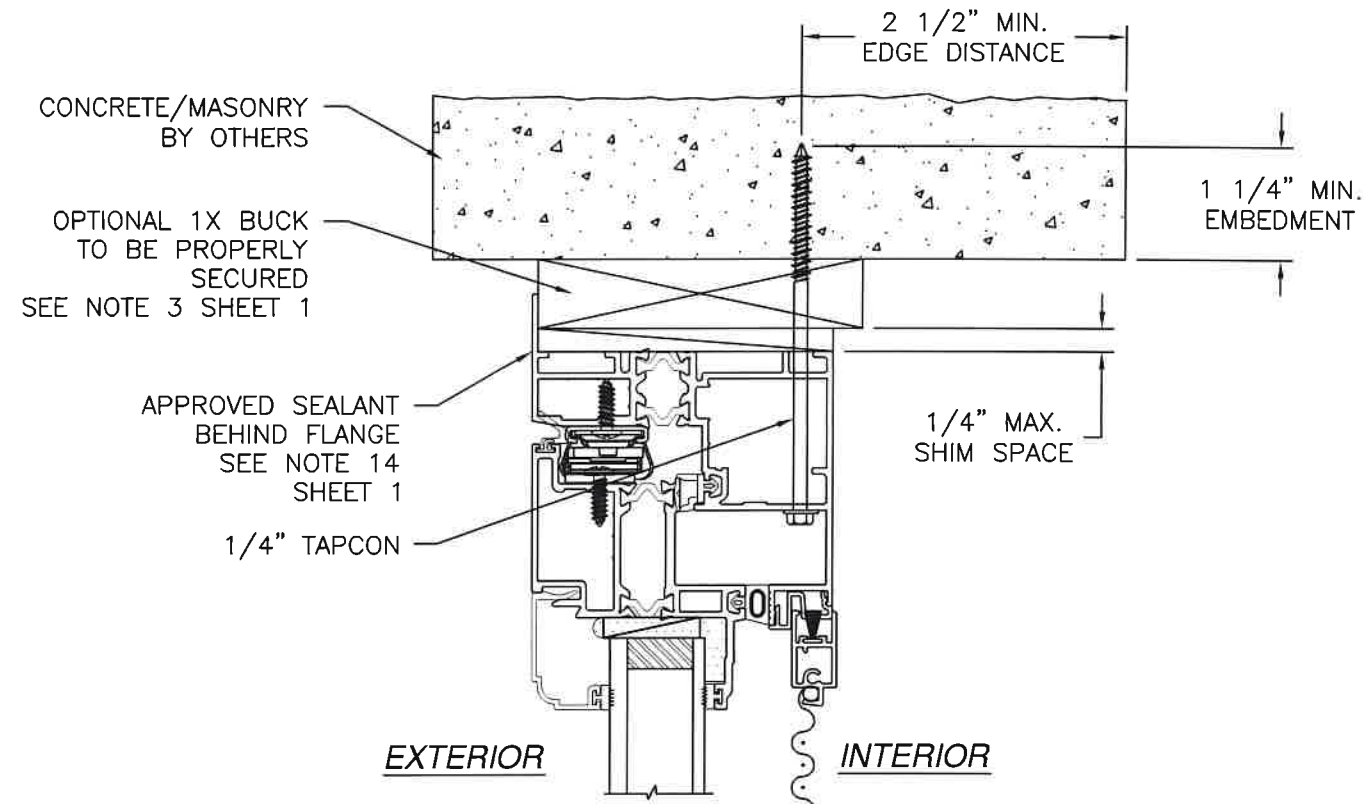
DRAWN: V.L.	DWG NO. 08-01955	REV B
SCALE NTS	DATE 01/28/13	SHEET 7 OF 9

SIGNED: 02/20/20

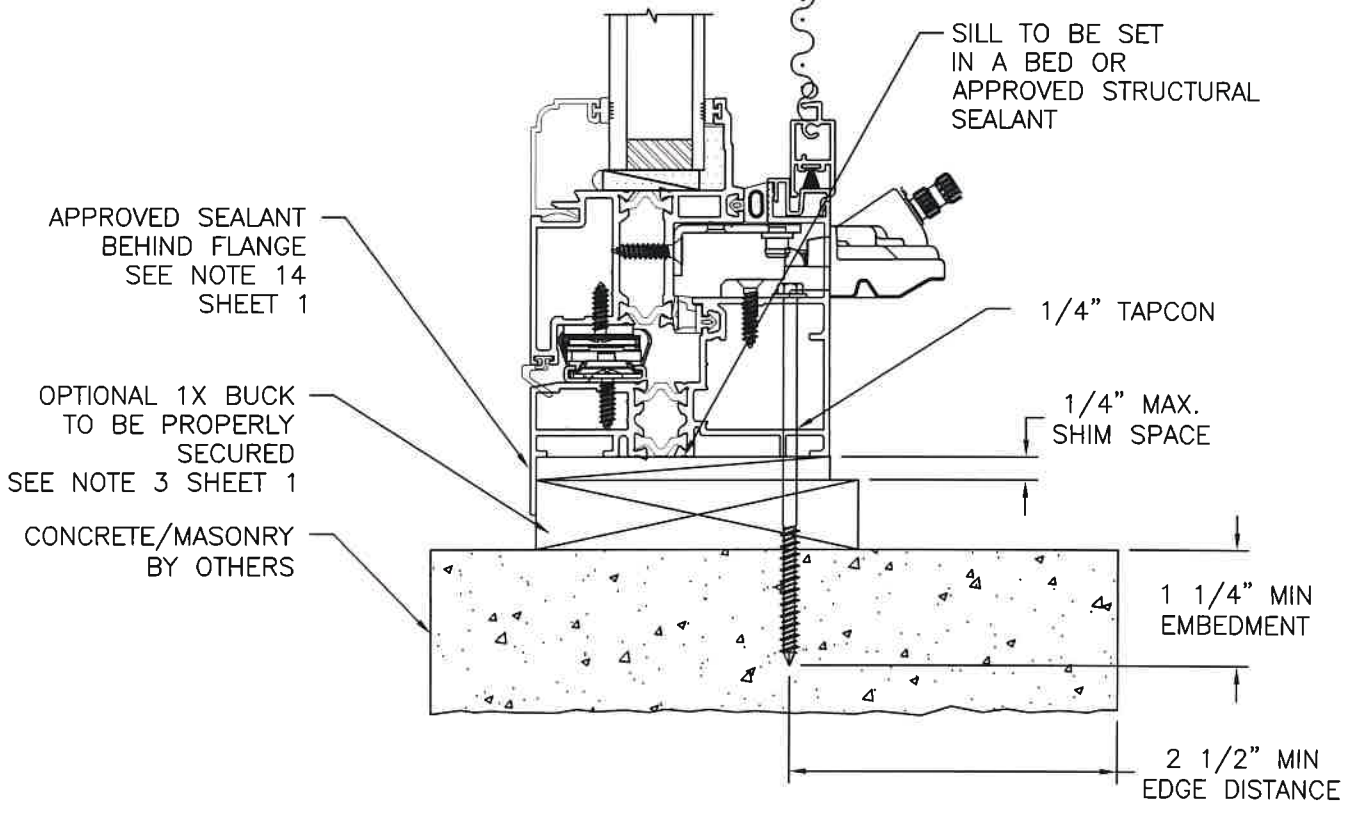
STATE OF TEXAS  
ANTHONY LYNN MILLER  
106954  
LICENSED PROFESSIONAL ENGINEER

A. LYNN MILLER, P.E.  
P.E. # 106954

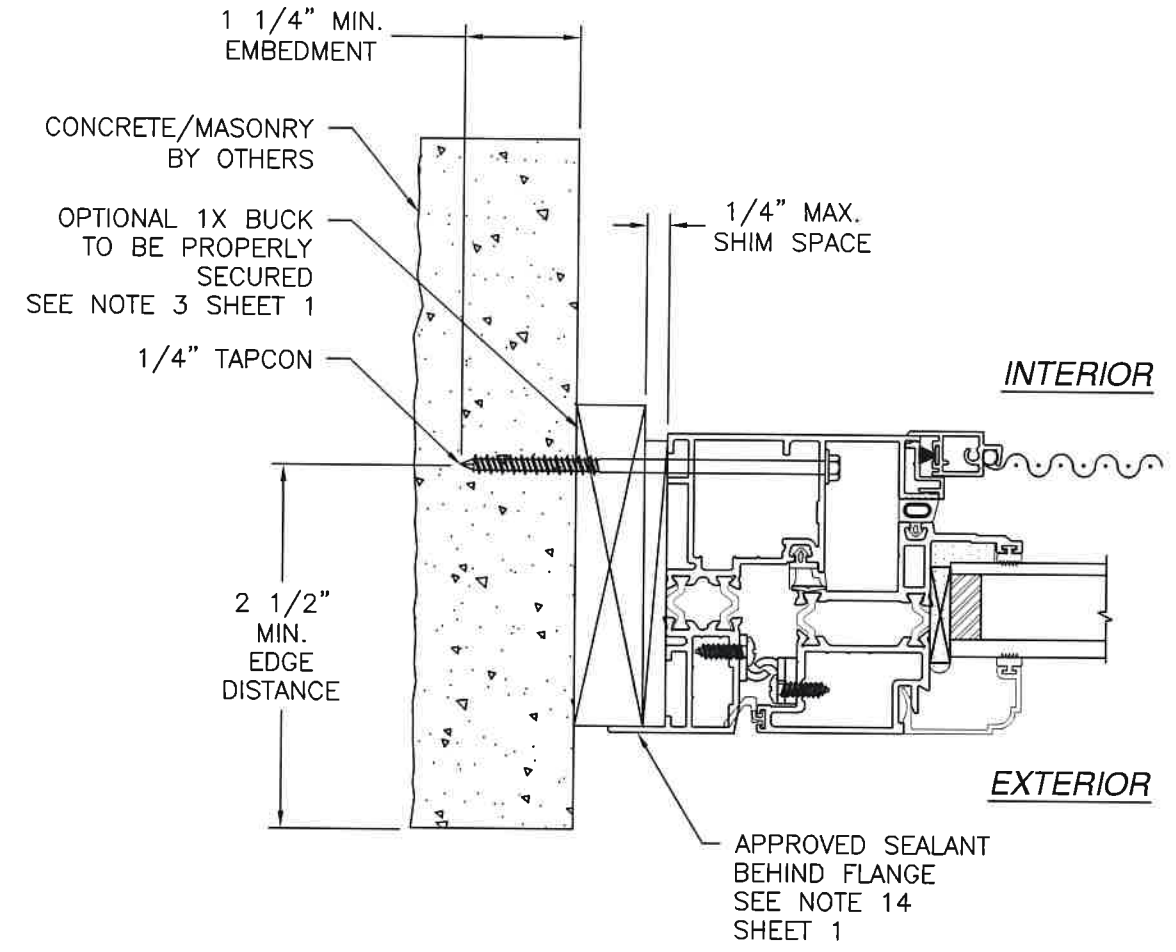
REVISIONS			
REV	DESCRIPTION	DATE	APPROVED
B	REV. TO 2018 IBC/IRC	02/20/20	JR



EXTERIOR INTERIOR



**A**  
8 **VERTICAL CROSS SECTION**  
CONCRETE/MASONRY INSTALLATION



INTERIOR

EXTERIOR

**B**  
8 **JAMB INSTALLATION DETAIL**  
CONCRETE/MASONRY INSTALLATION

NOTE:  
INTERIOR AND EXTERIOR FINISHES, BY OTHERS, NOT SHOWN FOR CLARITY.

SIGNED: 02/20/20

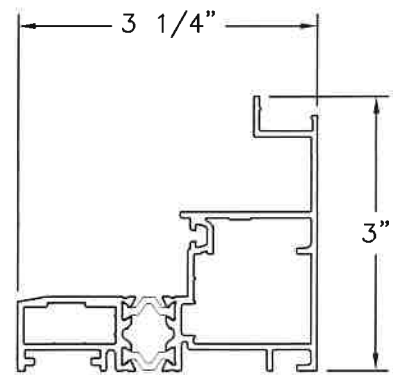
<b>WinDoor</b> INCORPORATED		7500 AMSTERDAM DRIVE ORLANDO, FL 32832 Phone: 407.481.8400 Fax: 407.481.0505 www.windoorinc.com	
<b>9060 CASEMENT TWIN WINDOW NON-IMPACT FLANGE INSTALLATION DETAILS</b>			
DRAWN: V.L.	DWG NO. 08-01955	REV B	
SCALE NTS	DATE 01/28/13	SHEET 8 OF 9	



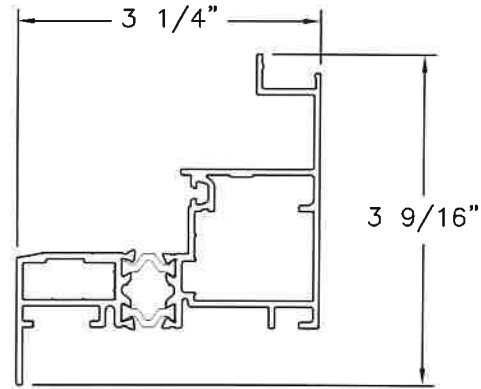
A. LYNN MILLER, P.E.  
P.E. # 106954



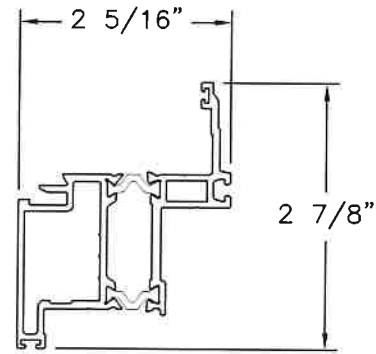
REVISIONS			
REV	DESCRIPTION	DATE	APPROVED
B	REV. TO 2018 IBC/IRC	02/20/20	JR



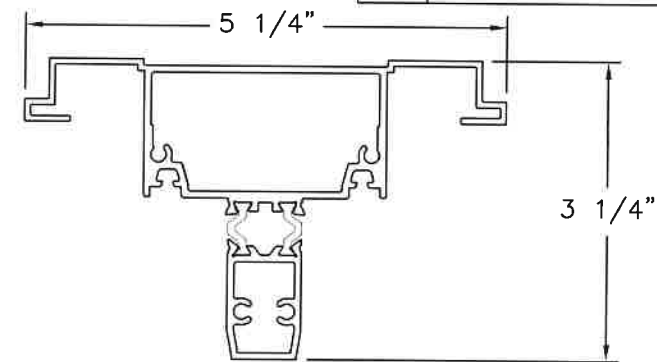
① **FRAME**  
ALUMINUM 6063-T6 .065" THICK



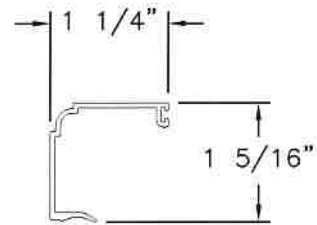
② **FLANGE FRAME**  
ALUMINUM 6063-T6 .065" THICK



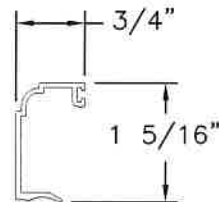
③ **SASH ASSEMBLY**  
ALUMINUM 6063-T6 .065" THICK



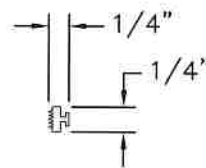
④ **COMMON POST**  
ALUMINUM 6063-T6 .065" THICK



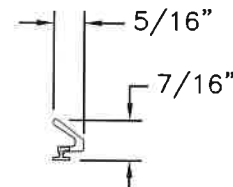
⑲ **GLASS STOP**  
ALUMINUM 6063-T6 .065" THICK



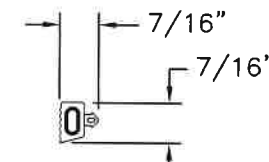
⑳ **GLASS STOP**  
ALUMINUM 6063-T6 .065" THICK



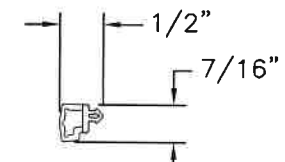
㉓ **GLAZING VINYL**  
PVC 80 DUROMETER



㉑ **FLAP SEAL**  
FOAM



㉒ **WEATHERSTRIP**  
EPDM 70 DUROMETER



㉔ **WEATHERSTRIP**  
EPDM 75 DUROMETER

SIGNED: 02/20/20

**WinDoor**  
INCORPORATED  
7500 AMSTERDAM DRIVE  
ORLANDO, FL 32832  
Phone: 407.481.8400  
Fax: 407.481.0505  
www.windoorinc.com

9060 CASEMENT TWIN WINDOW  
NON-IMPACT  
COMPONENTS

DRAWN: V.L.	DWG NO. 08-01955	REV B
SCALE NTS	DATE 01/28/13	SHEET 9 OF 9

ANTHONY LYNN MILLER  
106954  
LICENSED PROFESSIONAL ENGINEER  
A. LYNN MILLER, P.E.  
P.E. # 106954