

PLY GEM WINDOWS SERIES 1500 SINGLE HUNG WINDOW (IMPACT)



433 N. MAIN ST., PO BOX 559,
ROCKY MOUNT, VA 24151

PH: 540-484-6348
FX: 540-484-6683

NOTES:

1. THE PRODUCT SHOWN HEREIN IS DESIGNED AND MANUFACTURED TO COMPLY WITH THE REQUIREMENTS OF THE 2018 INTERNATIONAL BUILDING CODE AND 2018 INTERNATIONAL RESIDENTIAL CODE.
2. THIS PRODUCT IS MISSILE LEVEL D, WIND ZONE 3 IMPACT RESISTANT. WHEN USED IN WIND ZONE 3 OR BELOW AREAS, THIS PRODUCT DOES NOT REQUIRE THE USE OF APPROVED IMPACT PROTECTIVE DEVICES (SHUTTERS).
3. ANCHOR TYPE, SIZE, SPACING, EMBEDMENT, AND EDGE DISTANCE SHALL BE AS SPECIFIED IN THESE DRAWINGS. USE APPROPRIATE ANCHORAGE FROM TABLE I ACCORDING TO SUBSTRATE TYPE. A MINIMUM CENTER-TO-CENTER SPACING OF 3" SHALL BE MAINTAINED BETWEEN ALL INSTALLATION FASTENERS IN ANY DIRECTION.
4. ANCHOR EMBEDMENT TO SUBSTRATE SHALL BE BEYOND WALL DRESSING OR STUCCO. FOR MASONRY OPENINGS WITH WOOD BUCKS LESS THAN 1-1/2" THICK, EMBEDMENT SHALL BE BEYOND WOOD BUCKS, IF USED, AND INTO MASONRY SUBSTRATE. WOOD BUCKS WITH MASONRY ARE OPTIONAL.
5. WOOD, METAL, OR MASONRY OPENINGS, BUCKS, AND BUCK FASTENERS, BY OTHERS, SHALL BE PROPERLY DESIGNED AND INSTALLED BY OTHERS TO TRANSFER SUPERIMPOSED LOADS TO THE STRUCTURE. ADEQUACY OF THE STRUCTURE TO RECEIVED THESE LOADS SHALL BE VERIFIED BY THE CONTRACTOR OR AUTHORITY HAVING JURISDICTION (AHJ).
6. IT IS THE RESPONSIBILITY OF THE ARCHITECT OR ENGINEER OF RECORD OR AS APPROVED BY THE AHJ TO SELECT PLY GEM PRODUCTS TO MEET ALL APPLICABLE LOCAL LAWS, BUILDING CODES, ORDINANCES, OR OTHER SAFETY REQUIREMENTS FOR EACH INSTALLATION.
7. SHIMS ARE REQUIRED WHERE GAPS OF GREATER THAN 1/16" EXIST BETWEEN OPENING AND FRAME. MAX. SHIM STACK IS 1/4". SHIMS SHALL BE LOAD-BEARING AND CAPABLE OF TRANSFERRING LOADS TO THE SUBSTRATE.
8. SEALING AND FLASHING STRATEGIES FOR OVERALL WATER INFILTRATION RESISTANCE OF THE INSTALLED PRODUCT SHALL BE THE RESPONSIBILITY OF OTHERS USING ASTM E 2112 AND IS NOT ADDRESSED BY THIS DOCUMENT.
9. INSTALLED GLAZING SHALL COMPLY WITH ASTM E 1300.
10. ALL FASTENERS PENETRATING INTO PRESSURE TREATED WOOD SHALL BE CAPABLE OF PREVENTING CORROSION DUE TO REACTION WITH PRESSURE TREATMENT CHEMICALS. ANY DISSIMILAR MATERIALS THAT COME INTO CONTACT SHALL BE PROTECTED TO PREVENT REACTIONS IN ACCORDANCE WITH CODE REQUIREMENTS.
11. A WIND LOAD DURATION FACTOR $C_d = 1.6$ WAS USED FOR THE ANALYSIS OF WOOD SCREWS ONLY.
12. PRODUCTS SHALL BE CONSTRUCTED AS SPECIFIED IN TEST REPORTS NATIONAL CERTIFIED TESTING LABORATORIES I10-I5597-1, I10-I6245-1, I10-I5653-1 & -2, I10-I6054-1 AND I10-I6416-3.
13. DESIGNATION "X" IS FOR OPERABLE PANEL AND "O" IS FOR FIXED PANEL.
14. USE 100% PURE SILICONE CAULK COMPLIANT WITH AAMA 800 SECTION I - SEALANT SPECIFICATIONS FOR USE WITH ARCHITECTURAL FENESTRATION PRODUCTS.
15. USE A BACKER ROD ON ALL JOINTS $>3/4$ " DEEP AND/OR WIDER THAN 1/4". FINISHED CAULK JOINT SHOULD BE A MINIMUM OF 3/8" DEEP.

SIZE CHART				
OVERALL SIZE		PRODUCT RATING	MAX. DESIGN PRESSURE	MISSILE IMPACT RATING
WIDTH	HEIGHT			
38-1/16"	77-1/16"	LC-PG50	+50/-60 PSF	LARGE & SMALL MISSILE IMPACT RATED
52-1/8"	62"	LC-PG50	+50/-60 PSF	LARGE & SMALL MISSILE IMPACT RATED
52-1/8"	71"	LC-PG50	+50/-50 PSF	LARGE & SMALL MISSILE IMPACT RATED

TABLE OF CONTENTS	
SHEET	SHEET DESCRIPTION
1	INSTALLATION & GENERAL NOTES
2	ELEVATIONS & ANCHOR SCHEDULE
3	GLAZING DETAILS
4	VERTICAL SECTIONS
5	HORIZONTAL SECTIONS

TABLE I: INSTALLATION FASTENERS TABLE

ID	SUBSTRATE TYPE	ANCHOR TYPE	MIN. EMBED.	MIN. EDGE DISTANCE
FIN INSTALLATION				
A	2X MIN. SPRUCE-PINE-FIR WOOD (G=0.42)	#8 WOOD SCREW	1-1/2"	7/16"
B	16 GAUGE (0.060") STEEL 36 KSI MIN. OR 1/8" ALUM. 6063-T5 MIN.	#10-16 SELF-DRILLING SCREW (TEKS/DRIL-FLEX/KWIK-FLEX)	FULL, PLUS 3 THREADS MIN.	7/16"
FRAME OR CLIP INSTALLATION				
C	CONCRETE (2 KSI MIN.)	3/16" ITW TAPCON	1-1/2"	1-1/8"
D	HOLLOW OR GROUT-FILLED CMU (I17 PCF MIN.)	3/16" ITW TAPCON	1"	2"
E	2X MIN. SOUTHERN PINE WOOD (G=0.55)	3/16" ITW TAPCON	1-3/8"	7/8"
F	CONCRETE (2.85 KSI MIN.)	3/16" ELCO ULTRACON	1-3/4"	1-1/8"
G	HOLLOW OR GROUT-FILLED CMU (ASTM C-90)	3/16" ELCO ULTRACON	1-1/4"	2-1/2"
H	2X MIN. SOUTHERN PINE WOOD (G=0.55)	#10 WOOD SCREW	1-3/8"	7/8"
I	16 GAUGE (0.060") STEEL 36 KSI MIN. OR 1/8" ALUM. 6063-T5 MIN.	#10-16 SELF-DRILLING SCREW (TEKS/DRIL-FLEX/KWIK-FLEX)	FULL, PLUS 3 THREADS MIN.	1/2"

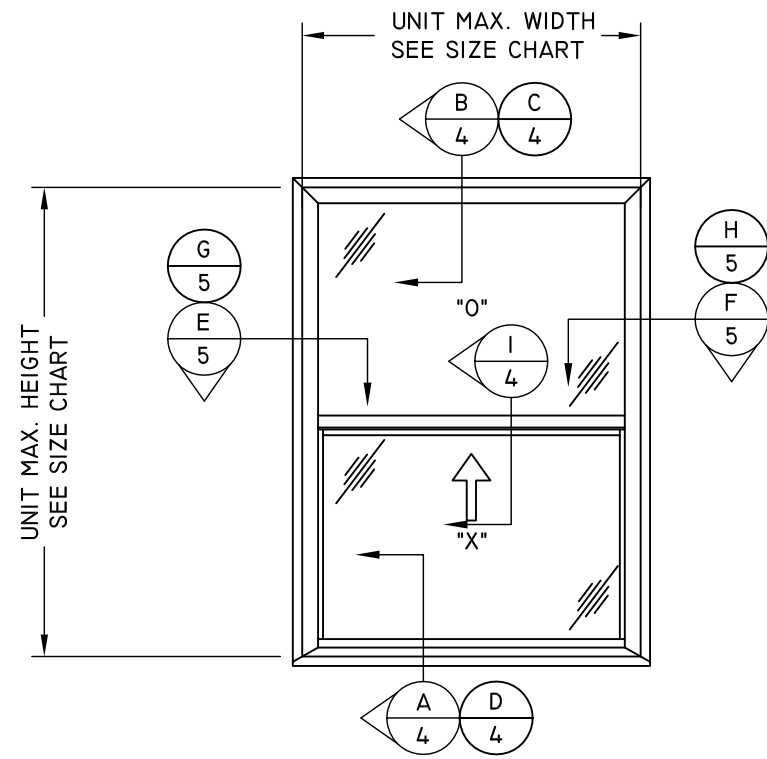
NOTE: ALL SCREWS AND TAPCONS SHALL HAVE MOD. TRUSS, PAN, OR HEX WASHER HEAD, 0.42" MIN. HEAD OR WASHER DIAMETER FOR FIN ANCHORS, 0.355" MIN. HEAD OR WASHER DIAMETER FOR FRAME ANCHORS.

TITLE: SERIES 1500 SINGLE HUNG IMPACT WINDOW INSTALLATION AND GENERAL NOTES	NO.	REVISION DESCRIPTION	BY	DATE
	B	ADDED NOTES & TABLE I	LMH	12.08.17
	C	UPDATED PER EC 07-008 & N18-001, W-1867	LMH	07.05.18
	D	UPDATED FRAME ANCHOR LAYOUT.	LMH	10.17.18
	E	UPDATED NOTE 12.EC 19-020	LMH	12.04.19
DATE: 12.12.12	DWN BY: JLA	CHK BY:	SCALE: NTS	

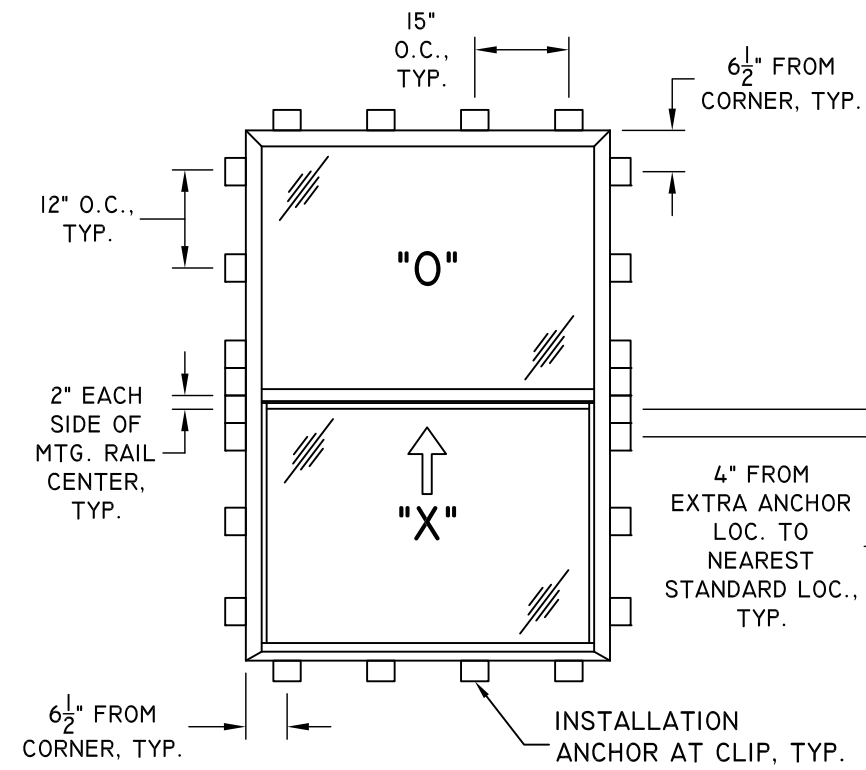


5/29/2020
LUCAS A. TURNER, P.E.
TX PE # 115094
TURNER ENGINEERING & CONSULTING, INC.
(TBPE REG. # F-18075)
2428 OLD NATCHEZ TRACE
TRAIL, CAMDEN, TN 38320
PH. 941-380-1574

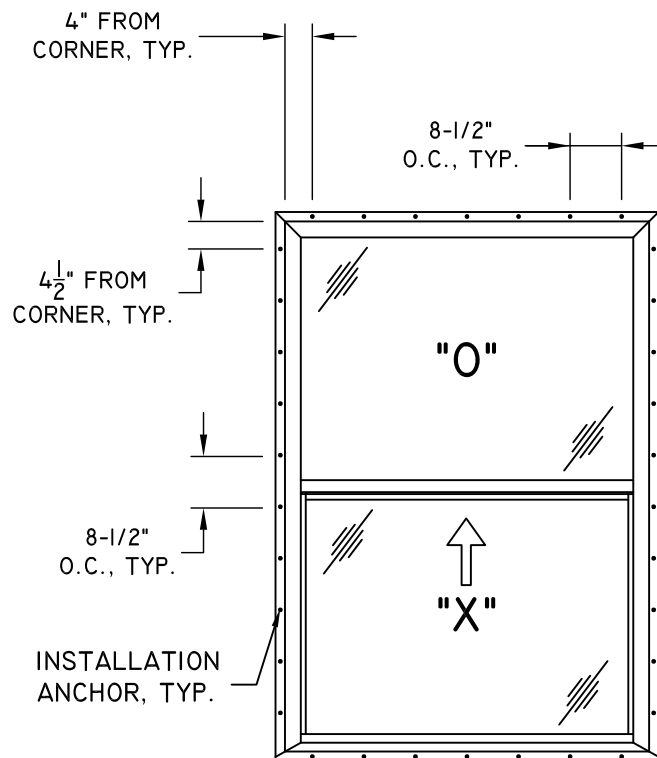
DWG #: **PGWI83TX**
SHEET: **1-TX OF 5**



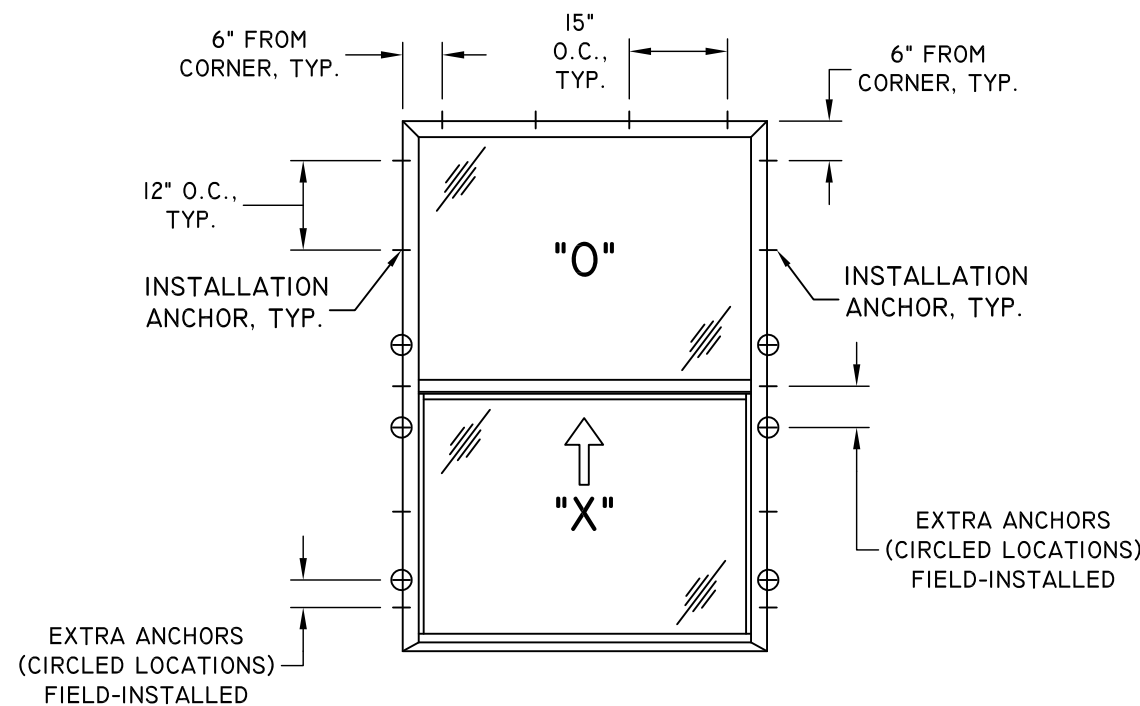
ELEVATION



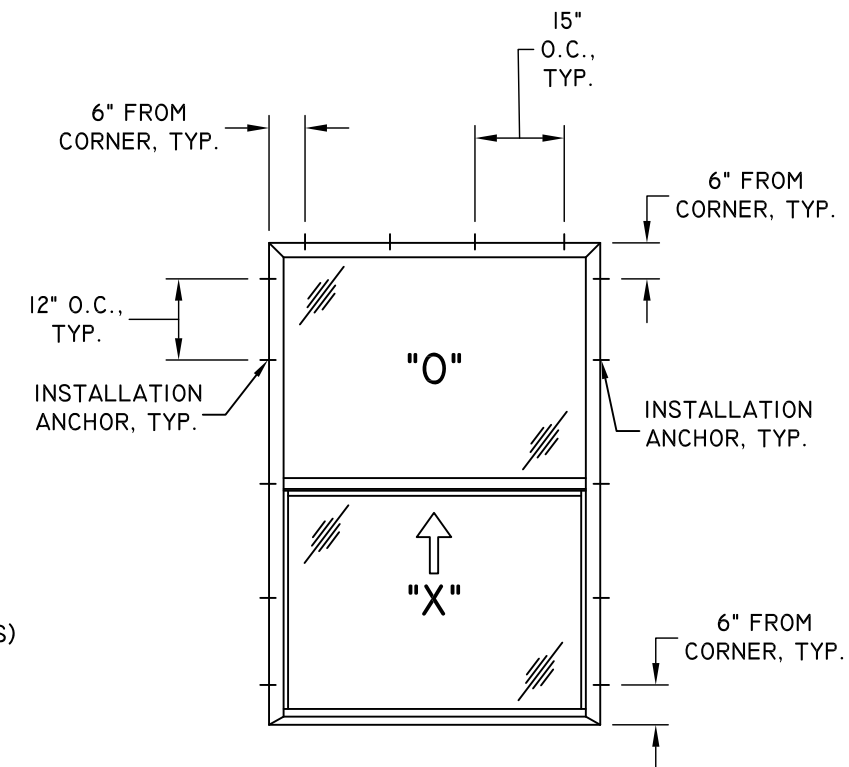
ANCHOR LAYOUT
CLIP INSTALLATION



ANCHOR LAYOUT
FIN INSTALLATION
TABLE I, SHEET I
FASTENER ID "A" & "B" ONLY



ANCHOR LAYOUT
FRAME INSTALLATION
TABLE I, SHEET I
FASTENER ID "C"- "D"- "E"- "H"- "I" EXCEPT "F" & "G"



ANCHOR LAYOUT
FRAME INSTALLATION
TABLE I, SHEET I
FASTENER ID "F" & "G" ONLY

TITLE: SERIES 1500 SINGLE HUNG IMPACT WINDOW ELEVATIONS & ANCHOR SCHEDULE		NO.	REVISION DESCRIPTION	BY	DATE
		B	ADDED NOTES & TABLE I	LMH	12.08.17
		C	UPDATED PER EC 07-008 & N18-001, W-1867	LMH	07.05.18
		D	UPDATED FRAME ANCHOR LAYOUT.	LMH	10.17.18
		E	UPDATED NOTE 12.EC 19-020	LMH	12.04.19

DATE:	12.12.12	DWN BY:	JLA	CHK BY:		SCALE:	NTS
-------	----------	---------	-----	---------	--	--------	-----

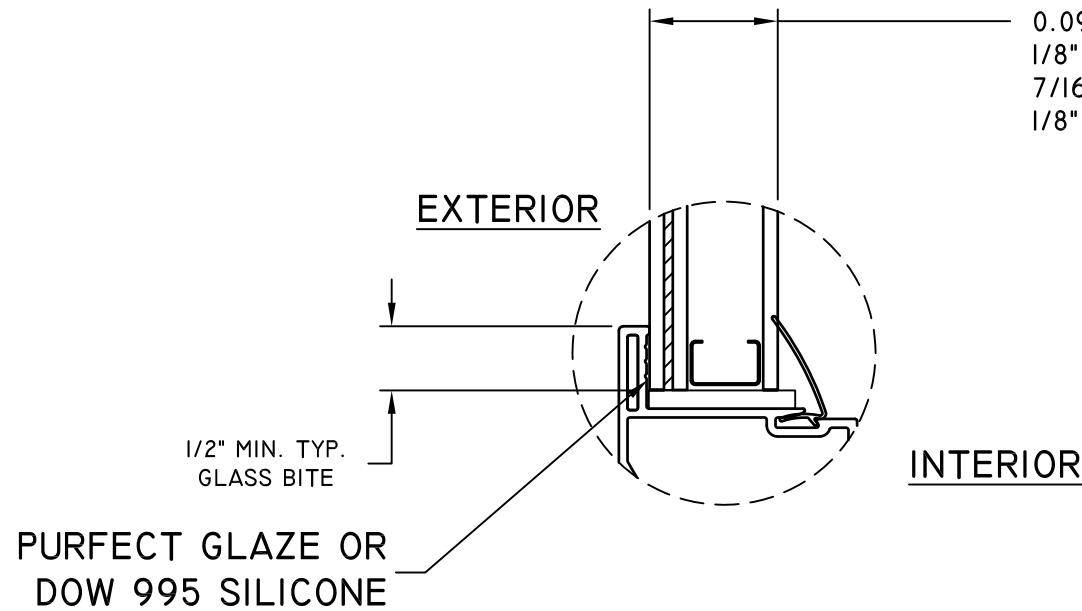


5/29/2020
LUCAS A. TURNER, P.E.
TX PE # 115094
TURNER ENGINEERING &
CONSULTING, INC.
(TBPE REG. # F-18075)
2428 OLD NATCHEZ TRACE
TRAIL, CAMDEN, TN 38320
PH. 941-380-1574

DWG #:
PGWI83TX
SHEET: 2 OF 5

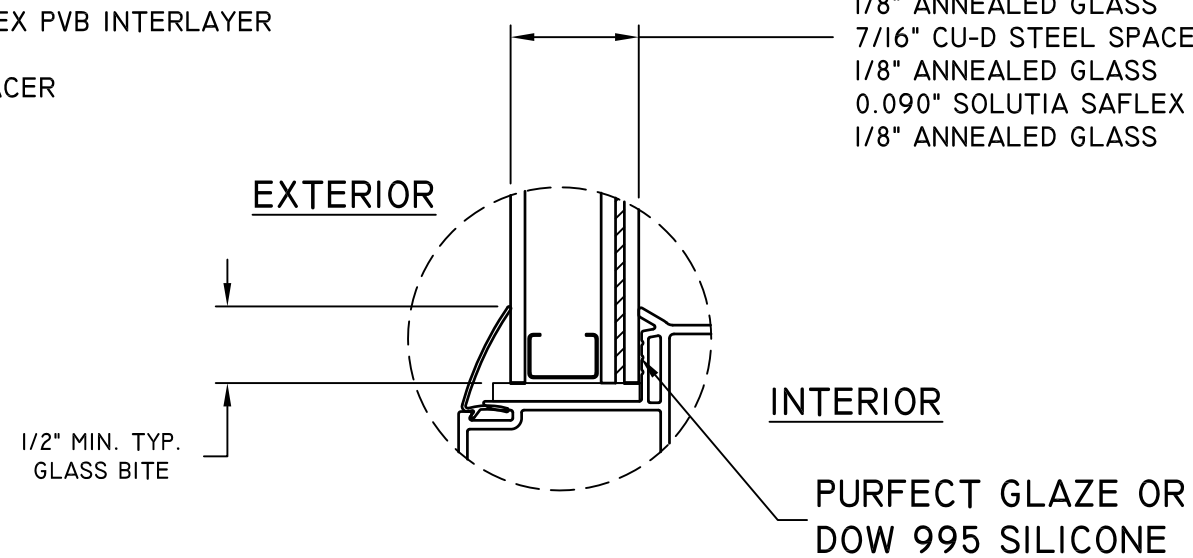
7/8" O.A. INSULATED GLASS UNIT
CONSISTING OF:
1/8" ANNEALED GLASS
0.090" SOLUTIA SAFLEX PVB INTERLAYER
1/8" ANNEALED GLASS
7/16" CU-D STEEL SPACER
1/8" ANNEALED GLASS

7/8" O.A. INSULATED GLASS UNIT
CONSISTING OF:
1/8" ANNEALED GLASS
7/16" CU-D STEEL SPACER
1/8" ANNEALED GLASS
0.090" SOLUTIA SAFLEX PVB INTERLAYER
1/8" ANNEALED GLASS



GLAZING DETAIL 1

FIXED LITE



GLAZING DETAIL 2

SASH LITE

FOR INSTALLATION ABOVE 30 FT. ABOVE GRADE IN AREAS
REQUIRING IMPACT RESISTANCE, ALL UNITS MUST BE
SAFETY GLAZED OR COVERED BY AN IMPACT PROTECTIVE
SYSTEM PER FBC SECTION 2411.3.3.7.

TITLE: SERIES 1500 SINGLE HUNG IMPACT WINDOW GLAZING DETAILS		BY	DATE
NO.	REVISION DESCRIPTION	LMH	12.08.17
B	ADDED NOTES & TABLE 1	LMH	07.05.18
C	UPDATED PER EC 07-008 & N18-001, W-1867	LMH	10.17.18
D	UPDATED FRAME ANCHOR LAYOUT.	LMH	12.04.19
E	UPDATED NOTE 12.EC 19-020		

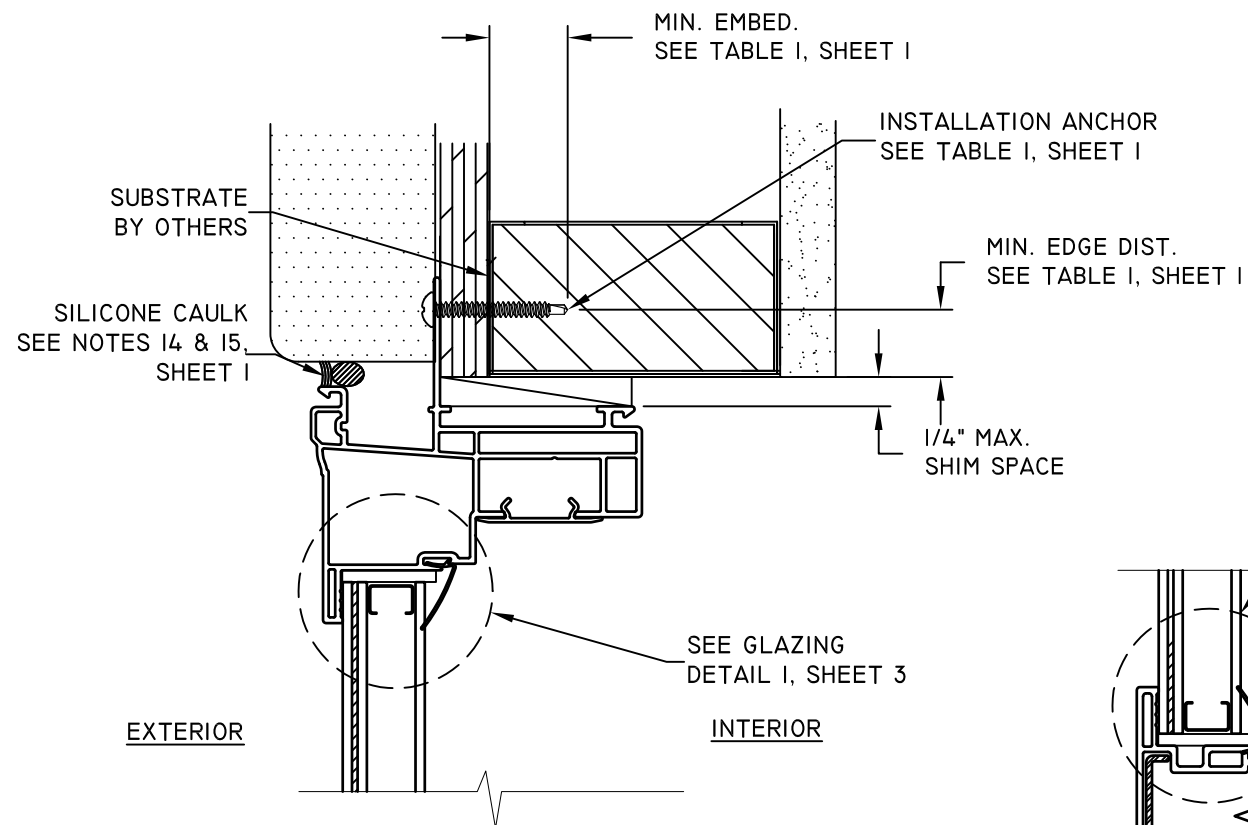
DATE:	DWN BY:	CHK BY:	SCALE:
12.12.12	JLA		NTS



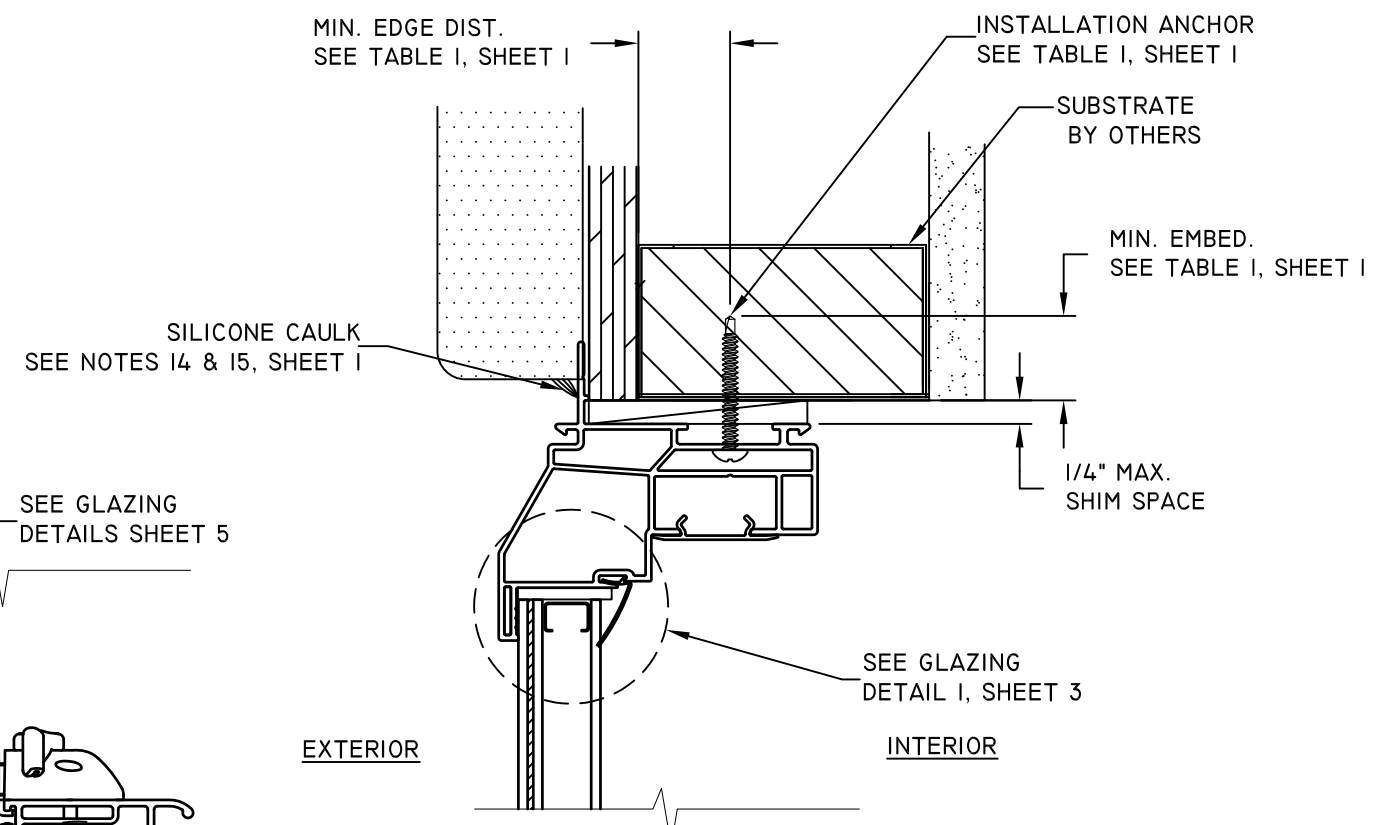
5/29/2020
LUCAS A. TURNER, P.E.
TX PE # 115094
TURNER ENGINEERING &
CONSULTING, INC.
(TBPE REG. # F-18075)
2428 OLD NATCHEZ TRACE
TRAIL, CAMDEN, TN 38320
PH. 941-380-1574

DWG #:
PGWI83TX

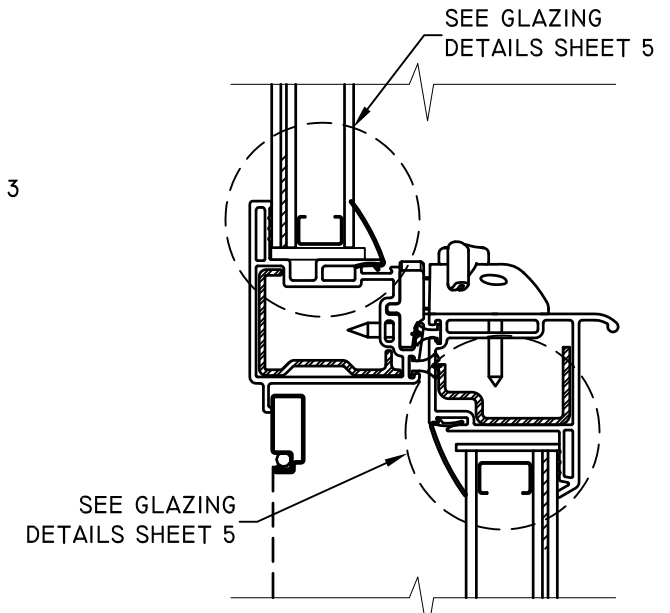
SHEET: **3** OF **5**



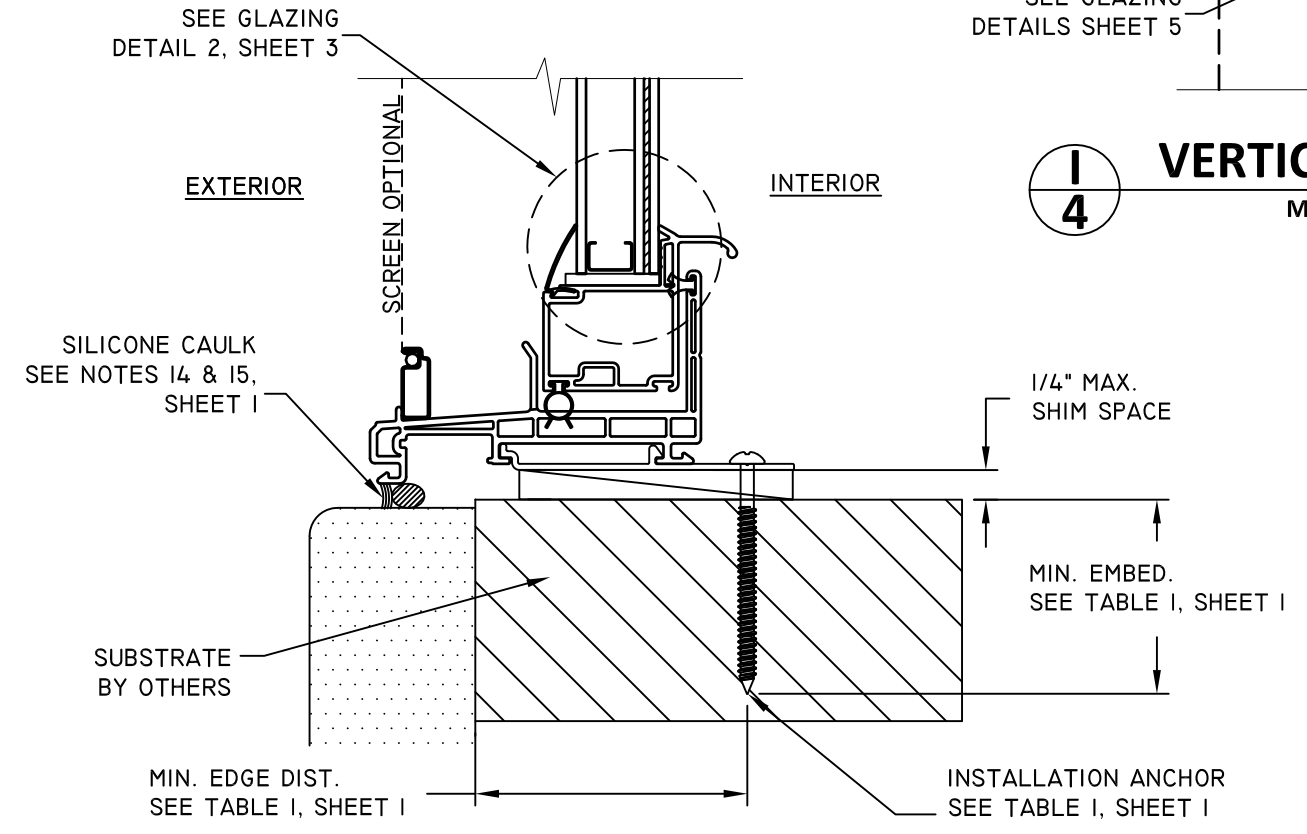
B
4
VERTICAL SECTION
HEAD
BRICKMOULD FRAME - FIN INSTALLATION



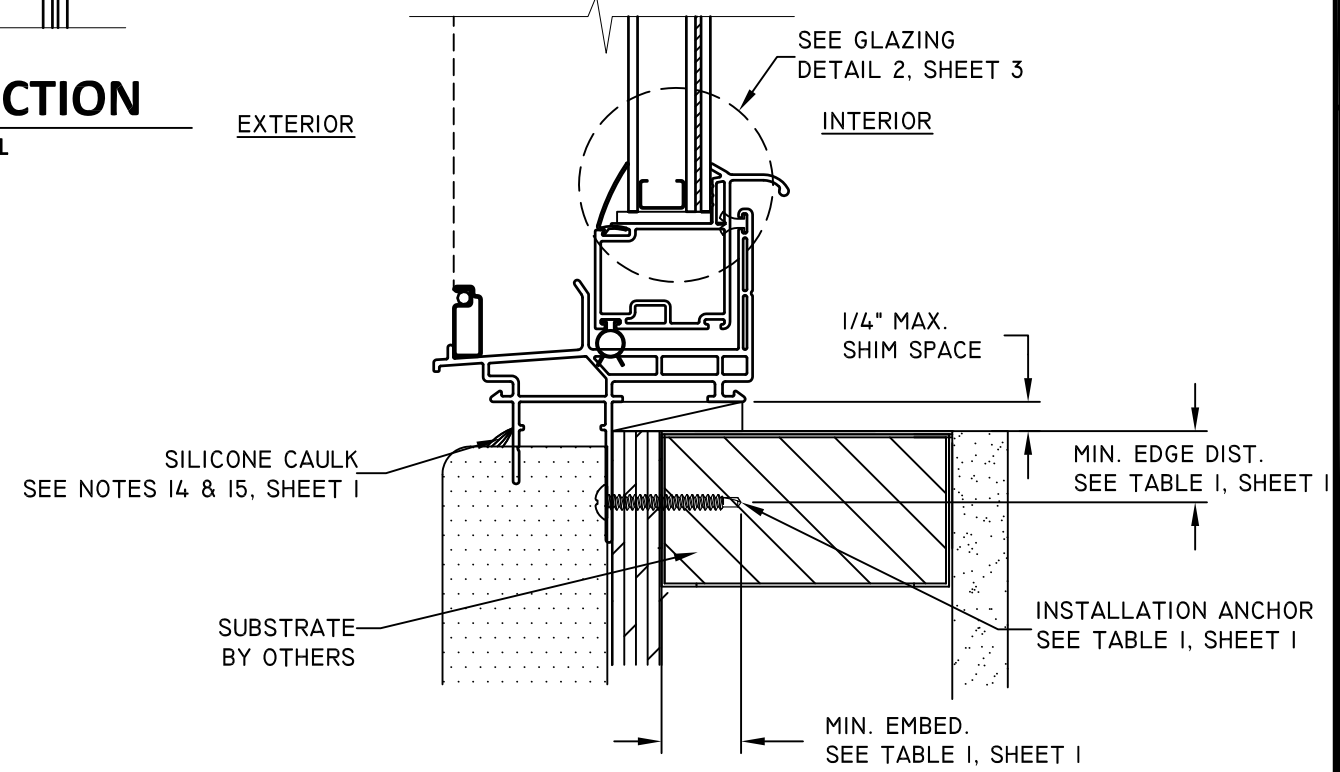
C
4
VERTICAL SECTION
HEAD
BEVELED FRAME - FRAME INSTALLATION



I
4
VERTICAL SECTION
MEETING RAIL
TYPICAL



A
4
VERTICAL SECTION
SILL
BRICKMOULD FRAME - CLIP INSTALLATION

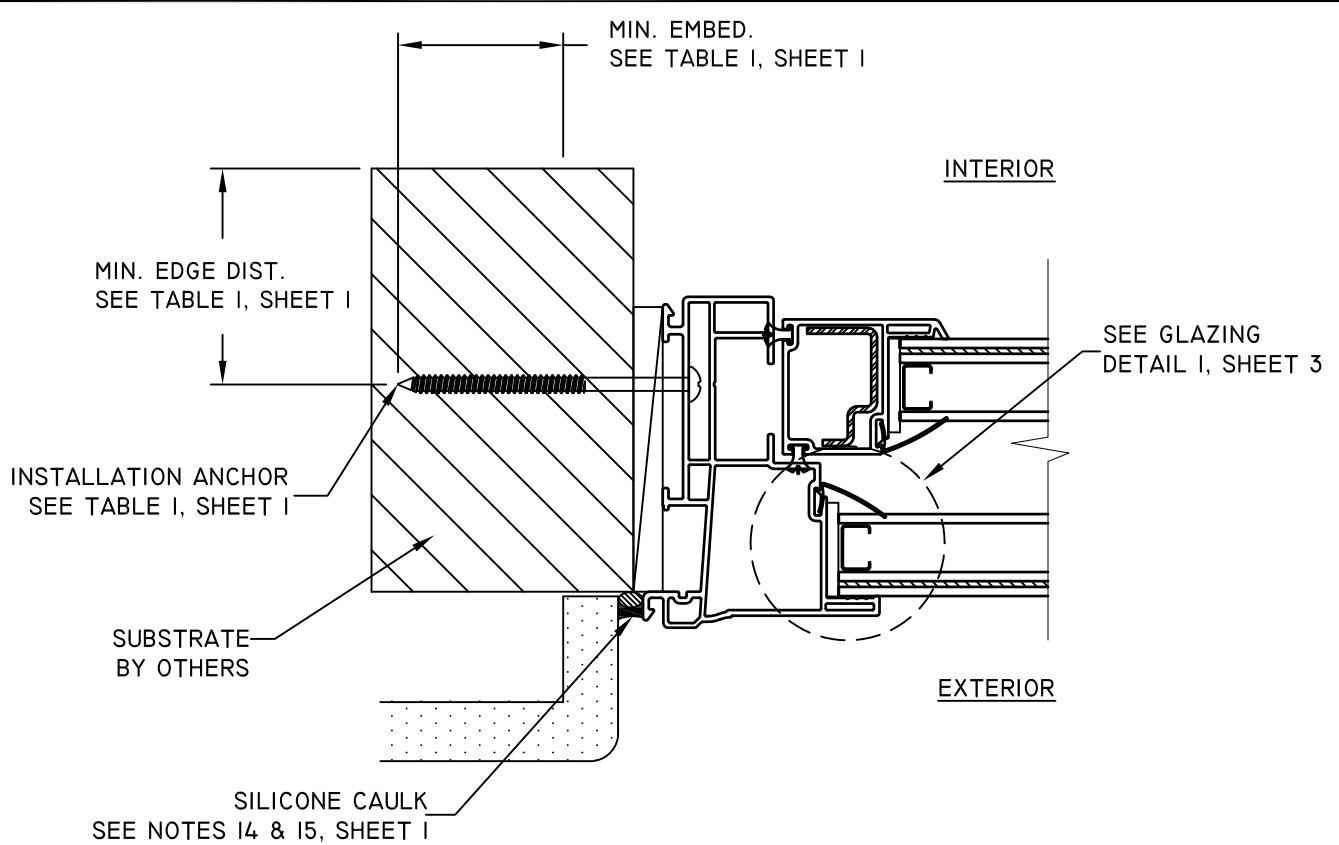


D
4
VERTICAL SECTION
SILL
BEVELED FRAME - FIN INSTALLATION

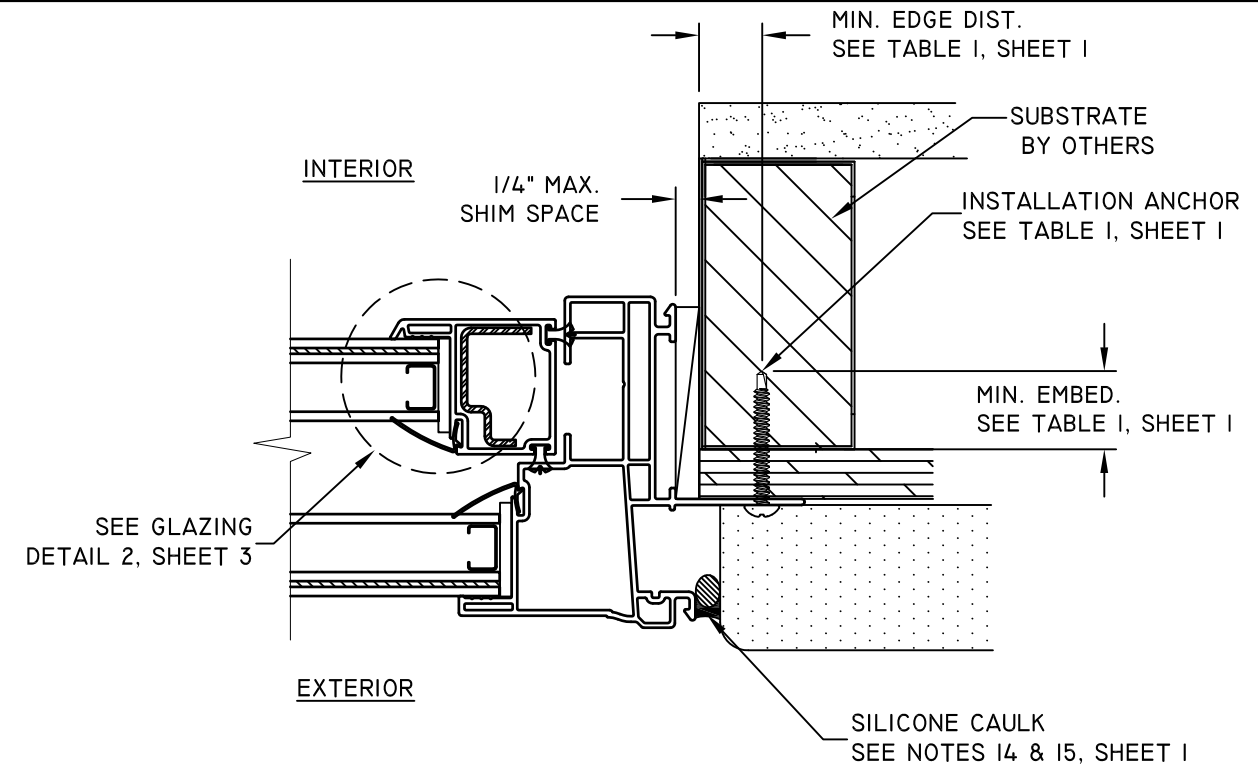
TITLE: SERIES 1500 SINGLE HUNG IMPACT WINDOW VERTICAL SECTIONS	NO.	DATE	BY
	B	12.08.17	LMH
	C	07.05.18	LMH
	D	10.17.18	LMH
	E	12.04.19	LMH
NO.	REVISION DESCRIPTION		
B	ADDED NOTES & TABLE I		
C	UPDATED PER EC 07-008 & N18-001, W-1867		
D	UPDATED FRAME ANCHOR LAYOUT.		
E	UPDATED NOTE 12.EC 19-020		
DATE: 12.12.12	DWN BY: JLA	CHK BY:	SCALE: NTS



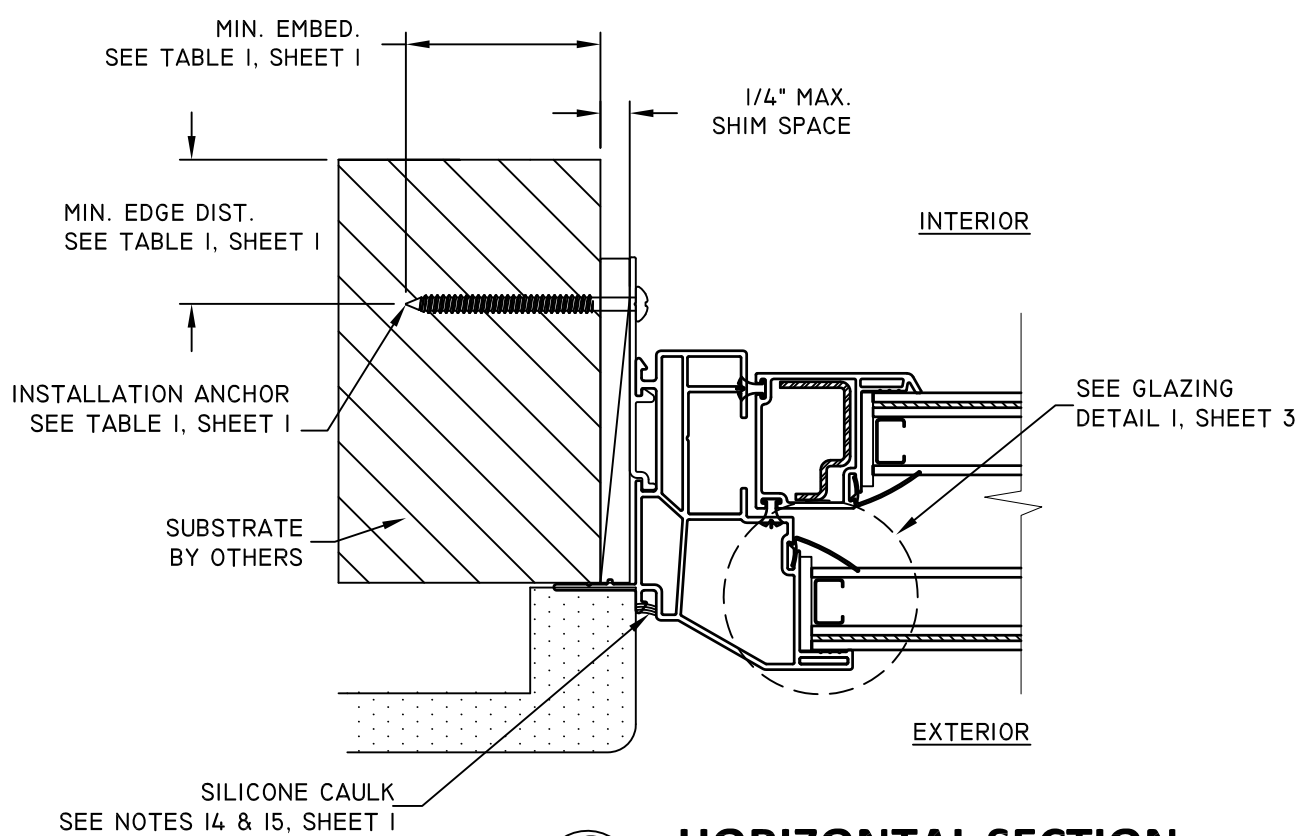
5/29/2020
LUCAS A. TURNER, P.E.
TX PE # 115094
TURNER ENGINEERING &
CONSULTING, INC.
(TBPE REG. # F-18075)
2428 OLD NATCHEZ TRACE
TRAIL, CAMDEN, TN 38320
PH. 941-380-1574



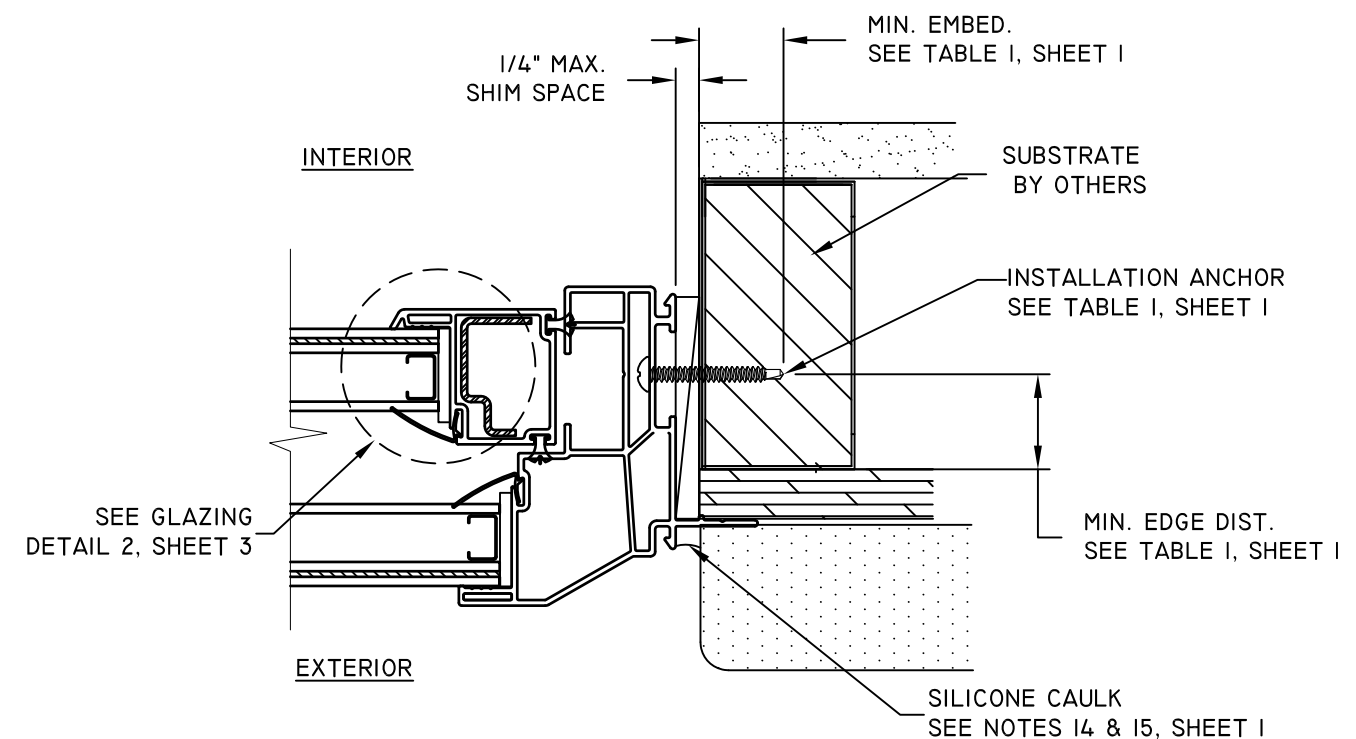
E
5
HORIZONTAL SECTION
JAMB
BRICKMOULD FRAME - FRAME INSTALLATION



F
5
HORIZONTAL SECTION
JAMB
BRICKMOULD FRAME - FIN INSTALLATION



G
5
HORIZONTAL SECTION
JAMB
BEVELED FRAME - CLIP INSTALLATION



H
5
HORIZONTAL SECTION
JAMB
BEVELED FRAME - FRAME INSTALLATION

TITLE: SERIES 1500 SINGLE HUNG IMPACT WINDOW HORIZONTAL SECTIONS		NO.	REVISION DESCRIPTION	BY	DATE
B	ADDED NOTES & TABLE I	LMH	12.08.17	LMH	12.08.17
C	UPDATED PER EC 07-008 & N18-001, W-1867	LMH	07.05.18	LMH	07.05.18
D	UPDATED FRAME ANCHOR LAYOUT.	LMH	10.17.18	LMH	10.17.18
E	UPDATED NOTE 12.EC 19-020	LMH	12.04.19	LMH	12.04.19

DATE:	12.12.12
DWN BY:	JLA
CHK BY:	
SCALE:	NTS



5/29/2020
LUCAS A. TURNER, P.E.
TX PE # 115094
TURNER ENGINEERING &
CONSULTING, INC.
(TBPE REG. # F-18075)
2428 OLD NATCHEZ TRACE
TRAIL, CAMDEN, TN 38320
PH. 941-380-1574

DWG #:
PGW183TX
SHEET: **5** OF **5**