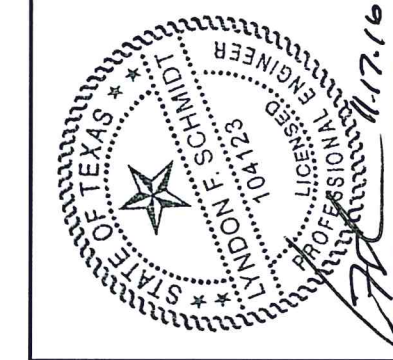
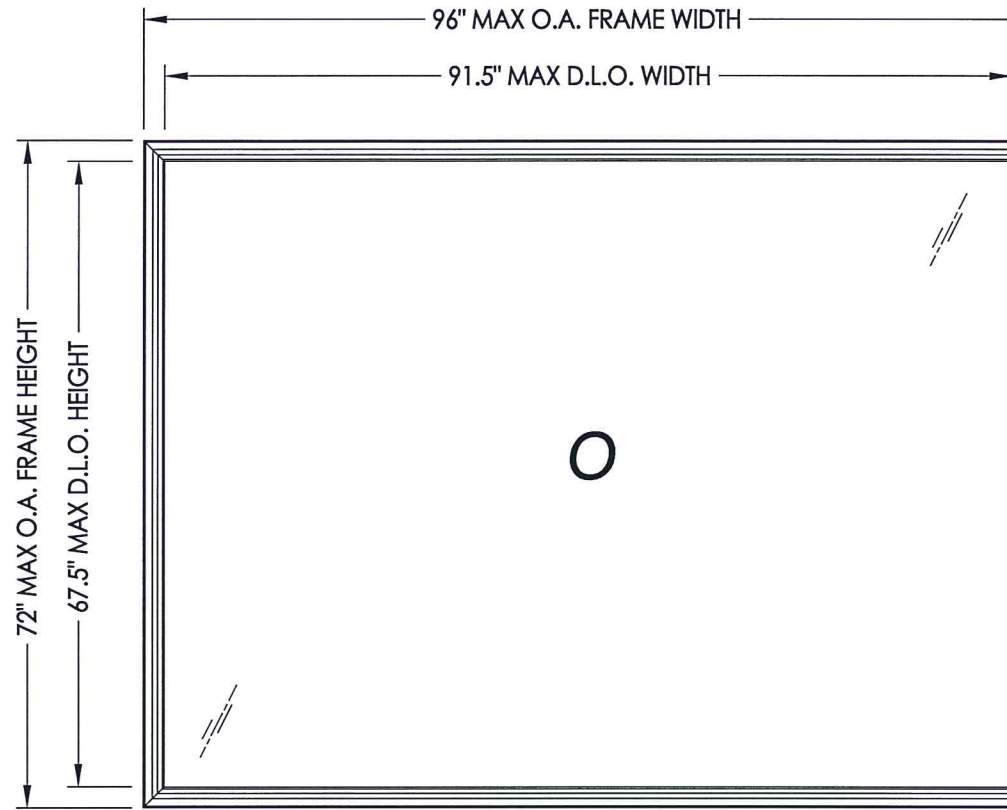


WINCORE™

WINDOWS & DOORS

250 Staunton Turnpike, Parkersburg, WV 26104

5400/5400S Series Vinyl Fixed Window "NON-IMPACT"



Documents Prepared By: Lyndon F. Schmidt, P.E.
TEXAS P.E. #104123

RW BUILDING CONSULTANTS, INC.
P.O. Box 230 Valrico FL, 33595
Phone No.: 813.659.9197

TEXAS BOARD OF PROFESSIONAL ENGINEERS
CERTIFICATE OF REGISTRATION # F-11852

EVALUATED FOR USE IN THE STATE OF TEXAS

The Wincore Fixed Window described herein complies with the 2006 International Residential Code (IRC), Sections R301 & R613 and the 2006 International Building Code (IBC), Sections 1405.12, 1609, 1714.5, 2403 and 2404 (including Texas revisions) subject to the following conditions:

1. Anchors shall be as listed and spaced as shown in the details. Anchor embedment to base material shall be beyond wall dressing or stucco.
2. When used in areas requiring wind-borne debris protection this product is required to be protected with an impact resistant covering that complies with Section R301.2.1.2 of the IRC and Section 1609.1.2 of the IBC.
3. Allowable design pressure requirements must be equal to or less than the design pressure rating shown in the design pressure chart, sheet 1 of this drawing.
4. Conditions not covered by this drawing are subject to further engineering analysis.

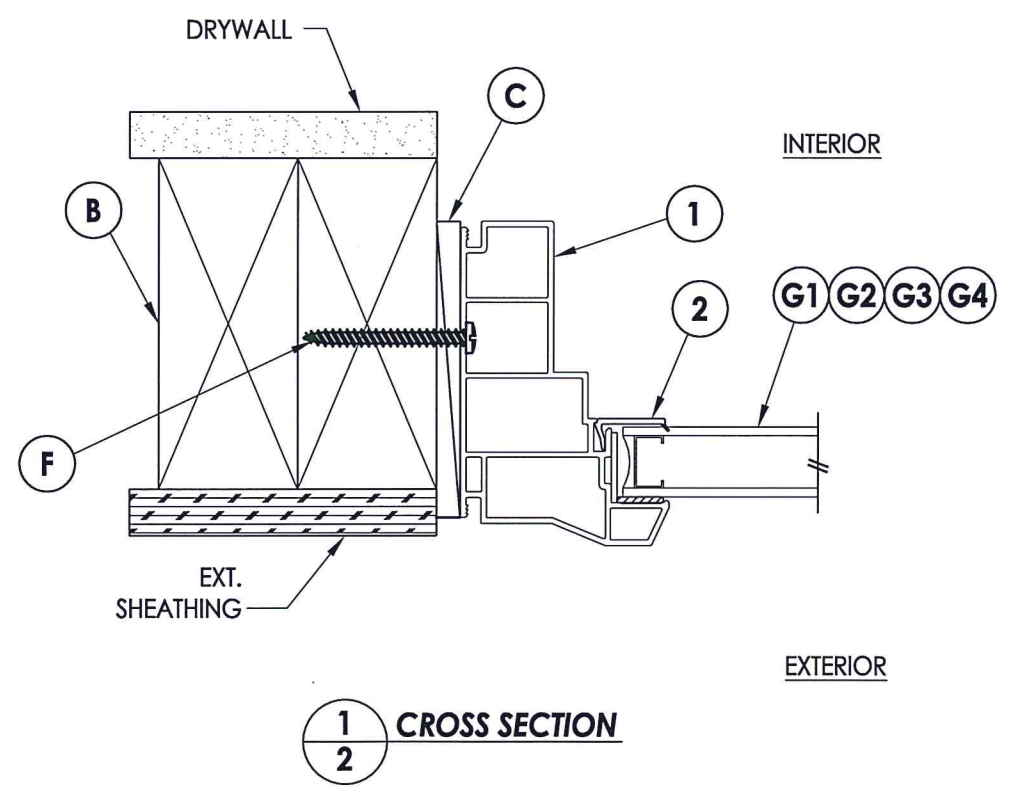
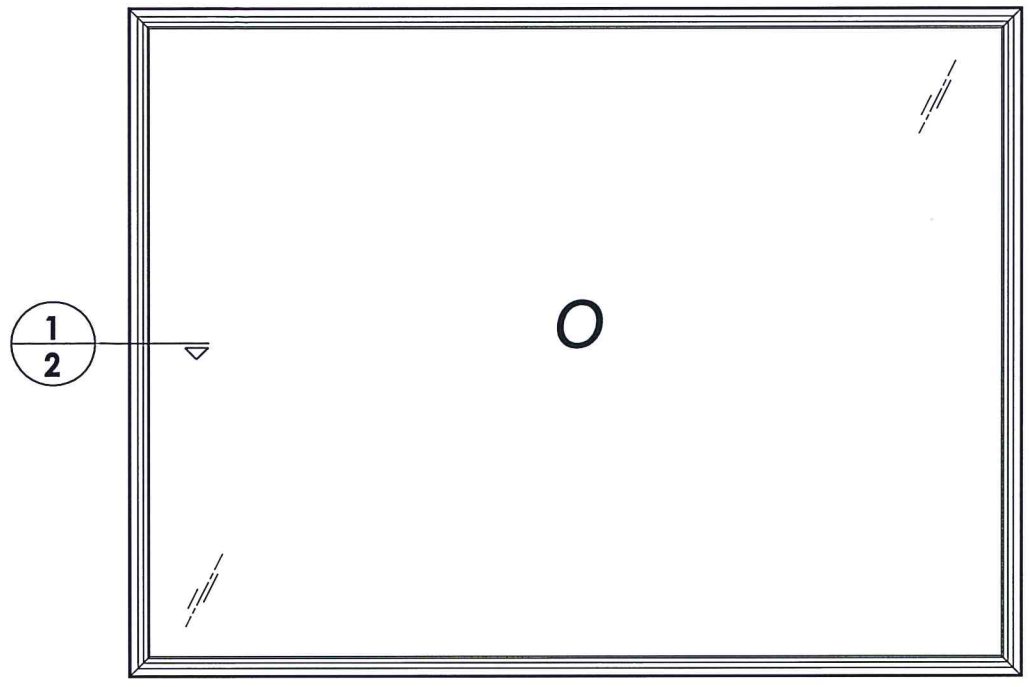
NOTE: Fixed windows may be orientated horizontally or vertically.

TABLE OF CONTENTS	
SHEET#	DESCRIPTION
1	Typical elevations, design pressures and general notes
2	Cross section
3	Frame anchoring
4	Bill of materials, components and glazing details

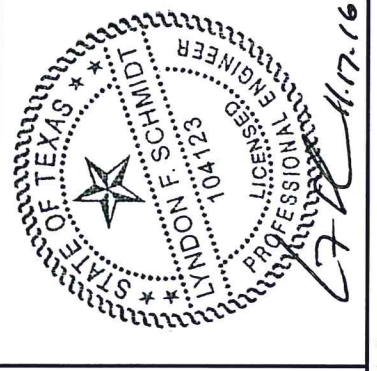
MAX. FRAME DIMENSION	MAX. D.L.O. DIMENSION	GLASS TYPE	DESIGN PRESSURE (PSF)	
			POSITIVE	NEGATIVE
48.0" X 36.0"	43.5" X 31.5"	G4	+50.0	-50.0
45.0" X 45.0"	40.5" X 40.5"	G4	+40.0	-40.0
60.0" X 34.0"	55.5" X 29.5"	G4	+40.0	-40.0
72.0" X 28.0"	67.5" X 23.5"	G4	+35.0	-35.0
84.0" X 24.0"	79.5" X 19.5"	G4	+30.0	-30.0
52.0" X 52.0"	47.5" X 47.5"	G3	+50.0	-50.0
63.0" X 44.0"	58.5" X 39.5"	G3	+50.0	-50.0
72.0" X 49.0"	67.5" X 44.5"	G3	+40.0	-40.0
60.0" X 59.0"	55.5" X 54.5"	G3	+35.0	-35.0

MAX. FRAME DIMENSION	MAX. D.L.O. DIMENSION	GLASS TYPE	DESIGN PRESSURE (PSF)	
			POSITIVE	NEGATIVE
84.0" X 42.0"	79.5" X 37.5"	G3	+35.0	-35.0
77.0" X 69.0"	72.5" X 64.5"	G2	+50.0	-50.0
74.0" X 72.0"	69.5" X 67.5"	G2	+50.0	-50.0
96.0" X 38.0"	91.5" X 33.5"	G2	+50.0	-50.0
84.0" X 58.0"	79.5" X 53.5"	G2	+50.0	-50.0
84.0" X 66.0"	79.5" X 61.5"	G2	+45.0	-45.0
96.0" X 58.0"	91.5" X 53.5"	G2	+45.0	-45.0
77.0" X 72.0"	72.5" X 67.5"	G2	+45.0	-45.0
96.0" X 72.0"	91.5" X 67.5"	G1	+50.0	-50.0

PRODUCT:	5400/5400S SERIES
PART OR ASSEMBLY:	TYPICAL ELEVATION, DESIGN PRESSURES & GENERAL NOTES
NO.	1
DATE	11/17/16
ADDED WINDOW SIZE (84x66)	LFS
BY	BY
REVISIONS	
DATE:	9/2/14
SCALE:	N.T.S.
DWG. BY:	JK
CHK. BY:	LFS
DRAWING NO.:	TX-4456
SHEET	1 OF 4



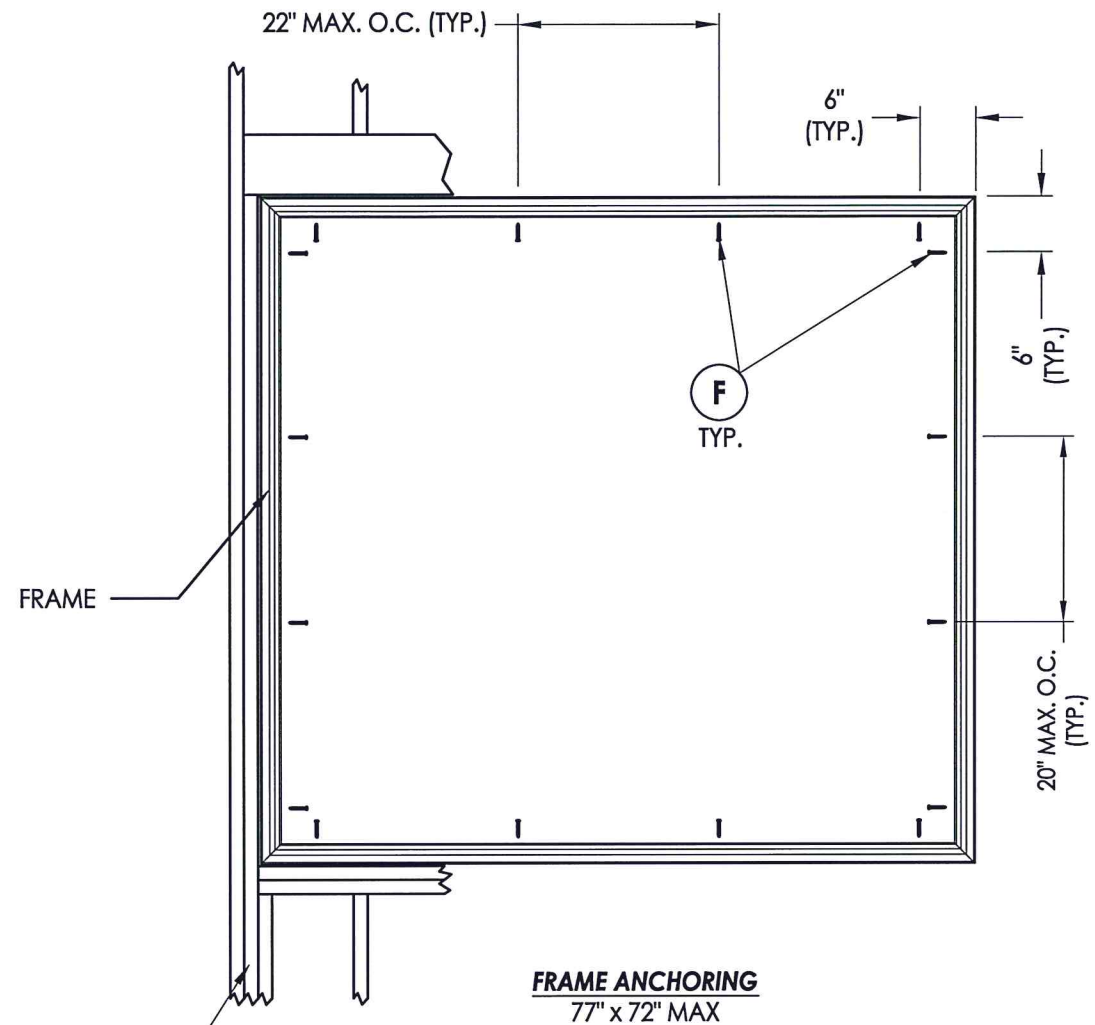
1
2 CROSS SECTION



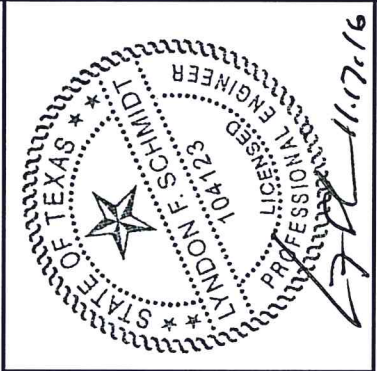
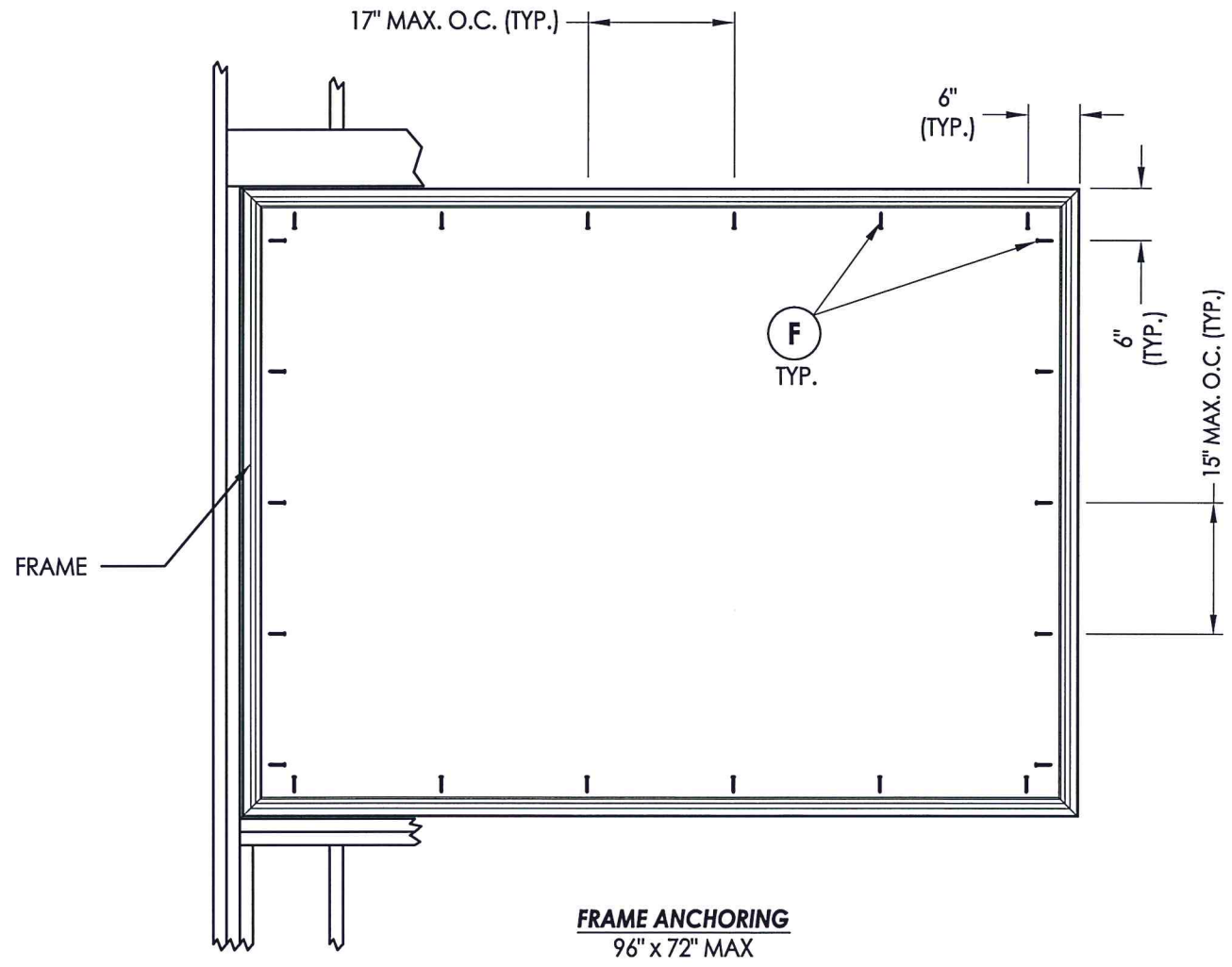
Documents Prepared By: Lyndon F. Schmidt, P.E.
TEXAS P.E. #104123

RW BUILDING CONSULTANTS, INC.
P.O. Box 230 Valrico FL 33595
Phone No.: 813.659.9197
TEXAS BOARD OF PROFESSIONAL ENGINEERS
CERTIFICATE OF REGISTRATION # F-11852

PRODUCT:	5400/5400S SERIES						
PART OR ASSEMBLY:	CROSS SECTION						
NO.	1	DATE	11/17/16	ADDED WINDOW SIZE (84x66)	LFS	BY	BY
REVISIONS							
DATE:	9/2/14						
SCALE:	N.T.S.						
DWG. BY:	JK						
CHK. BY:	LFS						
DRAWING NO.:	TX-4456						
SHEET	2	OF	4				



2x framing to be designed by the engineer or architect of record based on wind loads and the cladding being used (typ.).



Documents Prepared By: Lyndon F. Schmidt, P.E.
TEXAS P.E. #104123

RW BUILDING CONSULTANTS, INC.
P.O. Box 230 Vairico FL 33595
Phone No.: 813.659.9197

TEXAS BOARD OF PROFESSIONAL ENGINEERS
CERTIFICATE OF REGISTRATION # F-11852

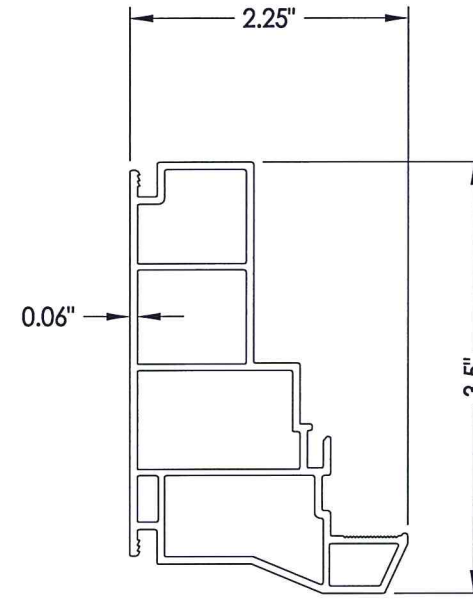
PRODUCT:	5400/5400S SERIES			
PART OR ASSEMBLY:	FRAME ANCHORING			
NO.	DATE	ADDED WINDOW SIZE (84x66)	LFS	BY
1	11/17/16			
REVISIONS				
DATE:	9/2/14			
SCALE:	N.T.S.			
DWG. BY:	JK			
CHK. BY:	LFS			
DRAWING NO.:	TX-4456			
SHEET	3	OF	4	

R:\Clients\Wincore PERMANENT\B - Texas Dept of Ins\Fixed Windows\WIN 1139 5400-5400S Fixed Windows\C - Drawings\Current\TX-4456.dwg, 4

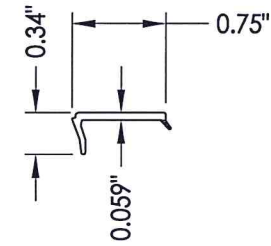
BILL OF MATERIALS

ITEM #	DESCRIPTION	MATERIAL
B	2X FRAMING (SG >= 0.42)	WOOD
C	1/4" MAX. SHIM SPACE	-
F	#10 X 2" PPH WOOD SCREW	STEEL
1	FRAME (PI5401A)*	PVC
2	GLAZING BEAD (22841)*	PVC

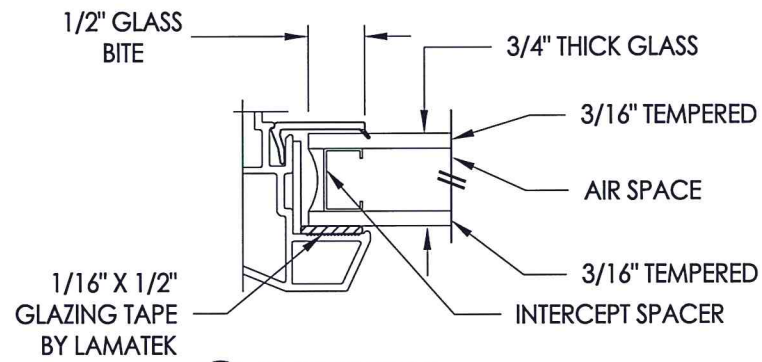
* THE APPROVED WHITE RIGID PVC EXTERIOR EXTRUSIONS FOR WINDOWS ARE TO BE PRODUCED BY EXTRUDERS LICENSEES IN "AAMA CERTIFICATION PROGRAMS FOR RIGID PVC EXTRUSIONS".



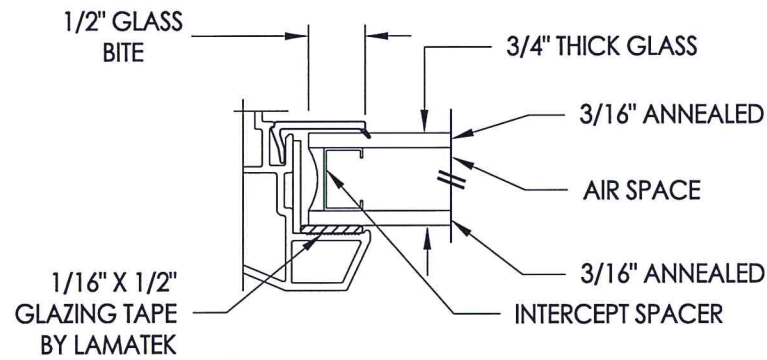
1 FRAME



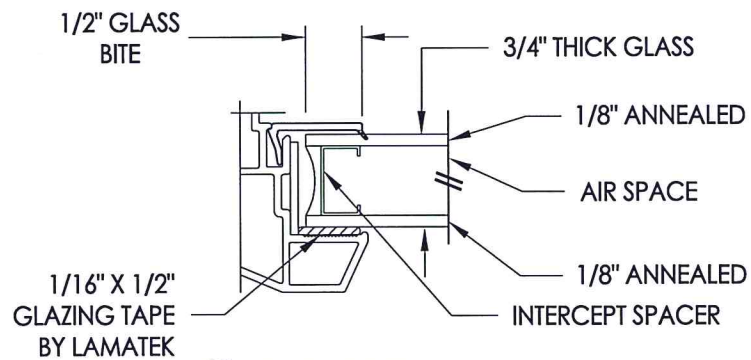
2 GLAZING BEAD



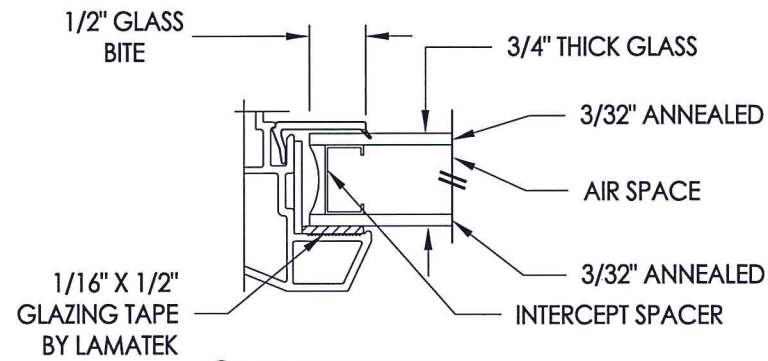
G1 GLAZING DETAIL



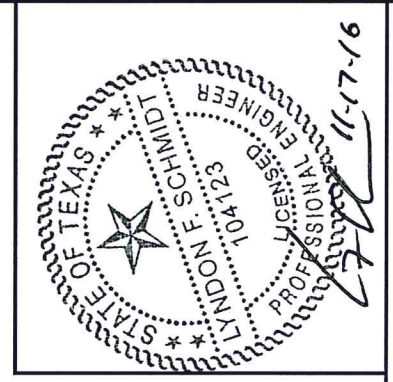
G2 GLAZING DETAIL



G3 GLAZING DETAIL



G4 GLAZING DETAIL



Documents Prepared By: Lyndon F. Schmidt, P.E.
TEXAS P.E. #104123

RW BUILDING CONSULTANTS, INC.
P.O. Box 230 Valrico FL, 33595
Phone No.: 813.659.9197

TEXAS BOARD OF PROFESSIONAL ENGINEERS
CERTIFICATE OF REGISTRATION # F-11852

PRODUCT:	5400/5400S SERIES
PART OR ASSEMBLY:	BILL OF MATERIALS, COMPONENTS AND GLAZING DETAILS

NO.	DATE	BY	REVISIONS
1	11/17/16	LFS	ADDED WINDOW SIZE (84x66)

DATE:	9/2/14
SCALE:	N.T.S.
DWG. BY:	JK
CHK. BY:	LFS
DRAWING NO.:	TX-4456
SHEET	4 OF 4