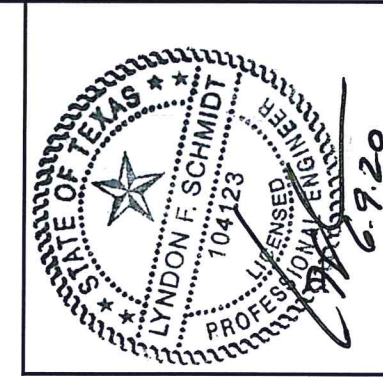
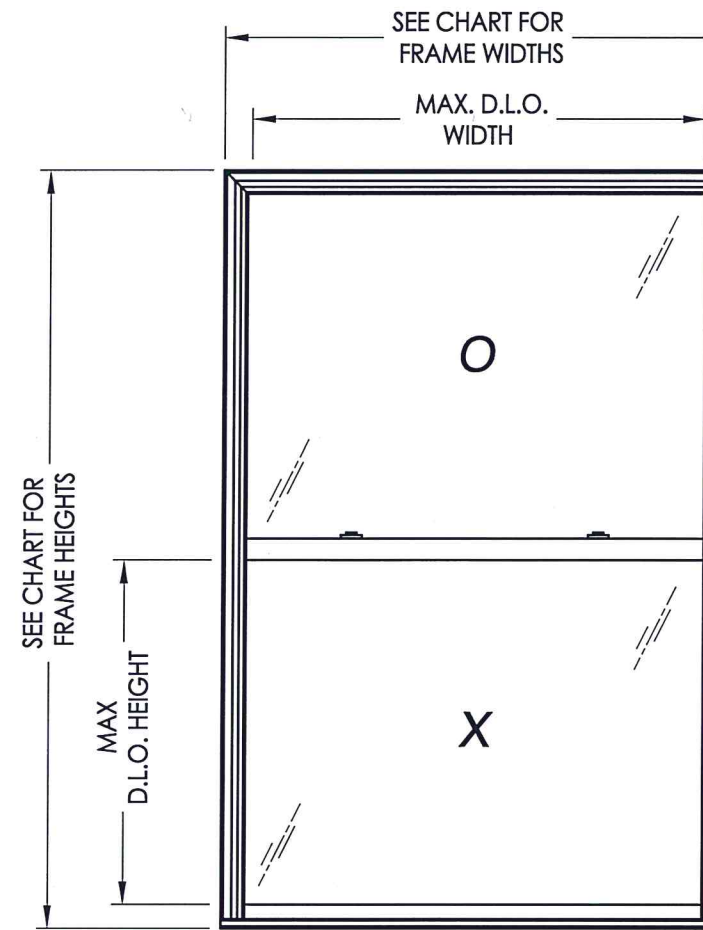


WINCORETM

WINDOWS & DOORS

250 Staunton Turnpike, Parkersburg, WV 26104

5400/5400S Series Vinyl Single Hung Window "NON-IMPACT"



Documents Prepared By: Lyndon F. Schmidt, P.E.
TEXAS P.E. #104123

RW BUILDING CONSULTANTS, INC.
P.O. Box 230 Valrico FL 33595
Phone No.: 813.659.9197

TEXAS BOARD OF PROFESSIONAL ENGINEERS
CERTIFICATE OF REGISTRATION # F-11852

PRODUCT: 5400/5400S SERIES
Vinyl Single Hung Window

PART OR ASSEMBLY:
TYPICAL ELEVATION, DESIGN
PRESSURES & GENERAL NOTES

EVALUATED FOR USE IN THE STATE OF TEXAS

TDI WIN-1402

The Wincore Single Hung Window described herein complies with the 2018 International Residential Code (IRC), Sections R301 & R609 and the 2018 International Building Code (IBC), Sections 1404.13, 1609, 1709.5, 2403 and 2404 subject to the following conditions:

1. Anchors shall be as listed and spaced as shown in the details. Anchor embedment to base material shall be beyond wall dressing or stucco.
2. When used in areas requiring wind-borne debris protection this product is required to be protected with an impact resistant covering that complies with Section R301.2.1.2 of the IRC and Section 1609.1.2 of the IBC.
3. Allowable design pressure requirements must be equal to or less than the design pressure rating shown in the design pressure chart, sheet 1 of this drawing.
4. Conditions not covered by this drawing are subject to further engineering analysis.

TABLE OF CONTENTS

SHEET#	DESCRIPTION
1	Typical elevations, design pressures and general notes
2	Cross sections & frame anchoring
3	Bill of materials, components & glazing details

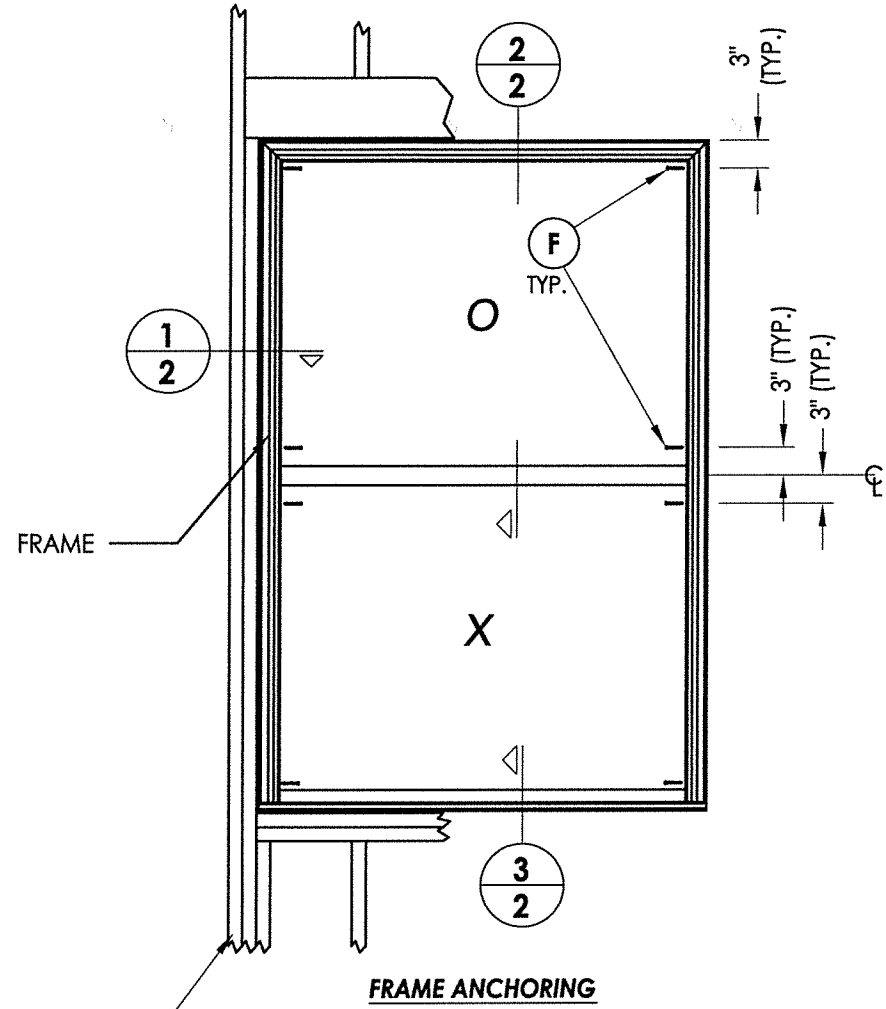
MAX. FRAME DIMENSION	MAX. D.L.O. DIMENSION	GLASS TYPE	DESIGN PRESSURE (PSF)	
			POSITIVE	NEGATIVE
40.0" X 42.0"	35.5" X 17.75"	G1	+50.0	-60.0
36.0" X 48.0"	31.5" X 20.75"	G1	+50.0	-60.0
32.0" X 54.0"	27.5" X 23.75"	G1	+50.0	-60.0
48.0" X 40.0"	43.5" X 16.75"	G1	+45.0	-55.0
44.0" X 42.0"	39.5" X 17.75"	G1	+45.0	-55.0
40.0" X 48.0"	35.5" X 20.75"	G1	+45.0	-55.0
36.0" X 52.0"	31.5" X 22.75"	G1	+45.0	-55.0
32.0" X 60.0"	27.5" X 26.75"	G1	+45.0	-55.0
48.0" X 44.0"	43.5" X 18.75"	G1	+40.0	-50.0
44.0" X 48.0"	39.5" X 20.75"	G1	+40.0	-50.0
40.0" X 54.0"	35.5" X 23.75"	G1	+40.0	-50.0

MAX. FRAME DIMENSION	MAX. D.L.O. DIMENSION	GLASS TYPE	DESIGN PRESSURE (PSF)	
			POSITIVE	NEGATIVE
36.0" X 60.0"	31.5" X 26.75"	G1	+40.0	-50.0
32.0" X 66.0"	27.5" X 29.75"	G1	+40.0	-50.0
48.0" X 50.0"	43.5" X 21.75"	G1	+35.0	-45.0
44.0" X 56.0"	39.5" X 24.75"	G1	+35.0	-45.0
40.0" X 60.0"	35.5" X 26.75"	G1	+35.0	-45.0
36.0" X 68.0"	31.5" X 30.75"	G1	+35.0	-45.0
32.0" X 72.0"	27.5" X 32.75"	G1	+35.0	-45.0
48.0" X 60.0"	43.5" X 26.75"	G1	+30.0	-40.0
44.0" X 64.0"	39.5" X 28.75"	G1	+30.0	-40.0
40.0" X 72.0"	35.5" X 32.75"	G1	+30.0	-40.0
48.0" X 72.0"	43.5" X 32.75"	G1	+25.0	-35.0

NO.	DATE	REVISIONS
1	1/21/20	UPDATE TO 2018 IBC/IRC
		LFS
		BY

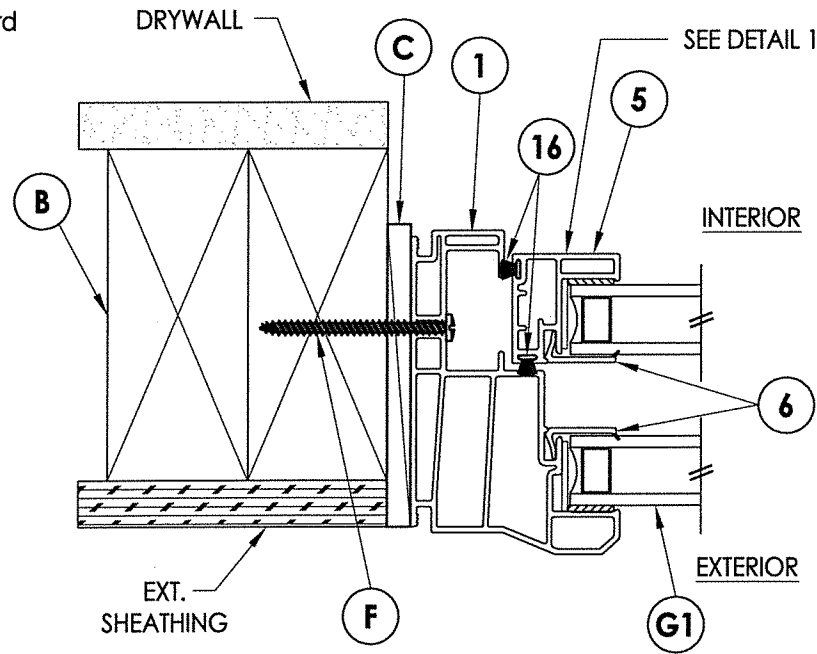
DATE: 4/27/16
SCALE: N.T.S.
DWG. BY: JK
CHK. BY: LFS
DRAWING NO.: TX-4470
SHEET 1 OF 3

R:\Clients\Wincore PERMANENT\B - Texas Dept of Ins\Single Hung\WIN-1402 - 5400 5400S Series\C - Drawings\2018 IBC UPDATE\TX-4470.4471.dwg, 2.1

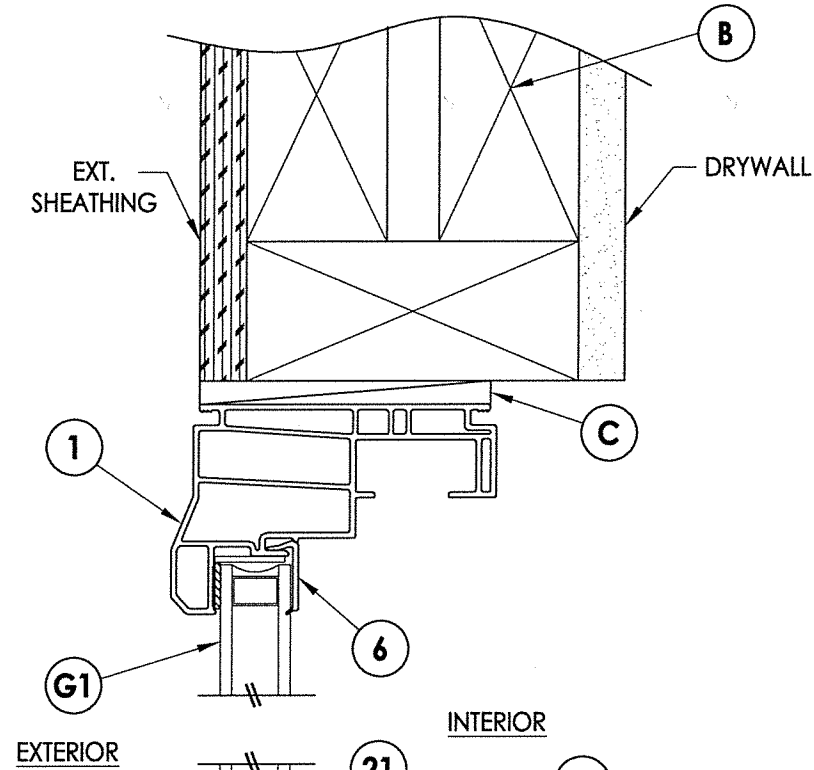


FRAME ANCHORING

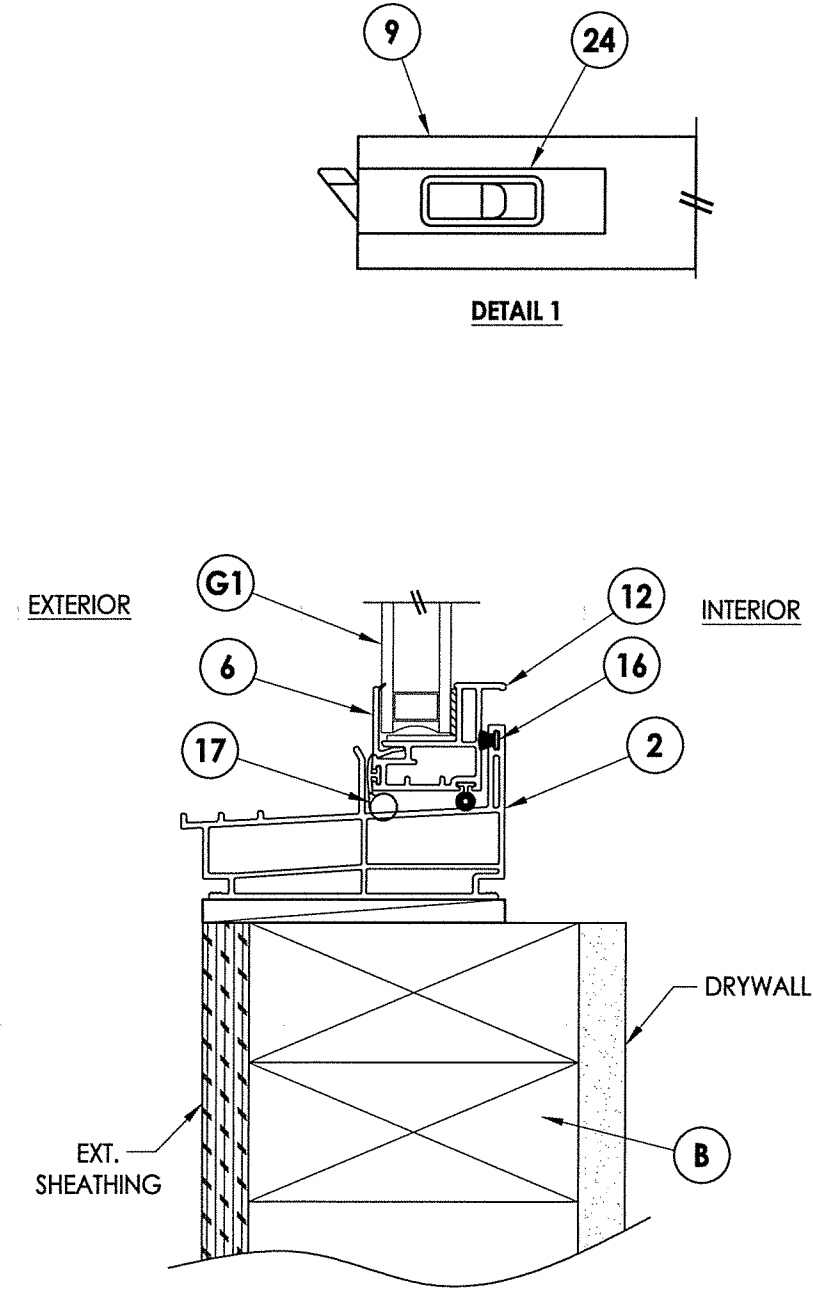
2x framing to be designed by the engineer or architect of record based on wind loads and the cladding being used (typ.).



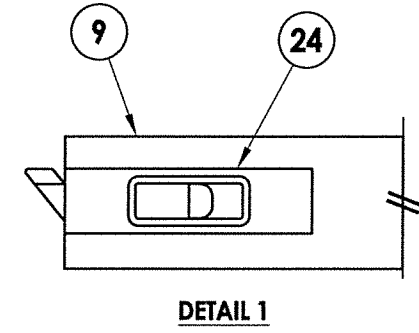
1 HORIZONTAL CROSS SECTION



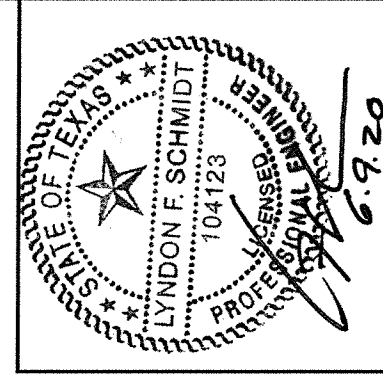
2 VERTICAL CROSS SECTION



3 VERTICAL CROSS SECTION



DETAIL 1



Documents Prepared By: Lyndon F. Schmidt, P.E.
TEXAS P.E. #104123

RW BUILDING CONSULTANTS, INC.
P.O. Box 230 Vairico FL 33595
Phone No.: 813.659.9197
TEXAS BOARD OF PROFESSIONAL ENGINEERS
CERTIFICATE OF REGISTRATION # F-11852

PRODUCT: 5400/5400S SERIES
Vinyl Single Hung Window

PART OR ASSEMBLY:
CROSS SECTIONS
& FRAME ANCHORING

NO.	DATE	REVISIONS	BY
1	1/21/20	UPDATE TO 2018 IBC/IRC	LFS

DATE: 4/27/16

SCALE: N.T.S.

DWG. BY: JK

CHK. BY: LFS

DRAWING NO.:

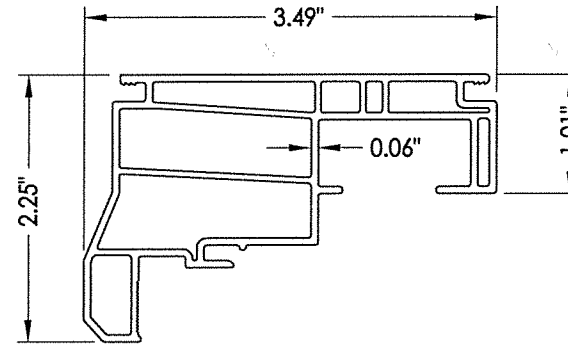
TX-4470

SHEET 2 OF 3

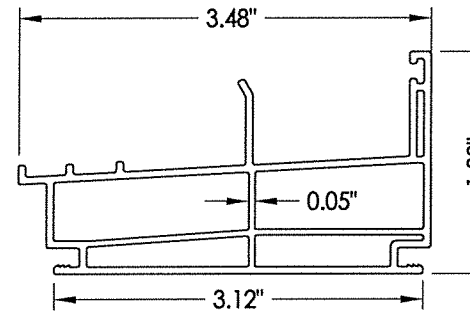
BILL OF MATERIALS

ITEM #	DESCRIPTION	MATERIAL
B	2X FRAMING (SG >= 0.42)	WOOD
C	1/4" MAX. SHIM SPACE	-
F	#8 X 2" PH WOOD SCREW (1-3/8" MIN. EMBEDMENT)	STEEL
1	FRAME HEAD AND JAMB*	PVC
2	SILL*	PVC
5	SASH STILE*	PVC
6	GLAZING BEAD*	PVC
9	LOCK RAIL LOWER SASH*	PVC
10	STAYBAR*	PVC
12	BOTTOM RAIL LOWER SASH*	PVC
16	WEATHERSTRIP ULTRA FAB .270 PILE - 270 -1875B	-
17	WEATHERSTRIP SILLBULB (AMESBURY 32690)	-
20	LOCK 8513 / 8845 LAWRENCE	PVC
21	KEEPER 2700 - 214 LAWRENCE	PVC
23	#6 X 3/4" PFH (VINYL LOCK SCREWS)	STEEL
24	SASH TILT LATCH - ASHLAND	PVC
26	#6 X 1/2" PFH (VINYL LOCK SCREWS)	STEEL
30	REINFORCEMENT (FIXED MEETING RAIL) ALUM. 6063-T6	ALUM

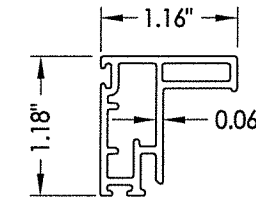
* THE APPROVED WHITE RIGID PVC EXTERIOR EXTRUSIONS FOR WINDOWS ARE TO BE PRODUCED BY EXTRUDERS LICENSEES IN "AAMA CERTIFICATION PROGRAMS FOR RIGID PVC EXTRUSIONS".



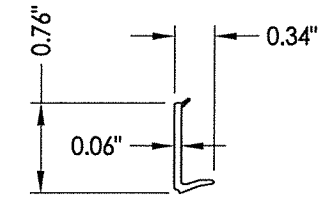
1 FRAME HEAD & JAMB



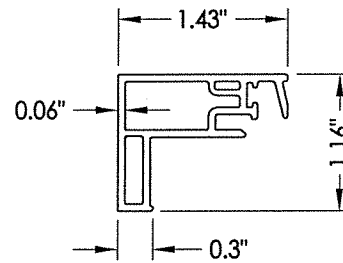
2 SILL



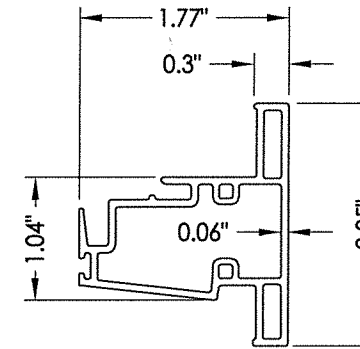
5 SASH STILE



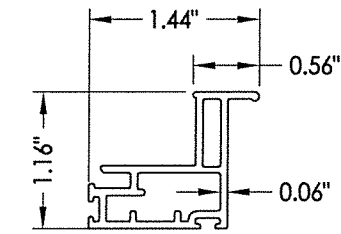
6 GLAZING BEAD



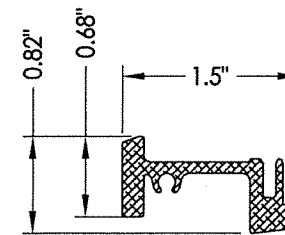
9 LOCK RAIL Lower Sash



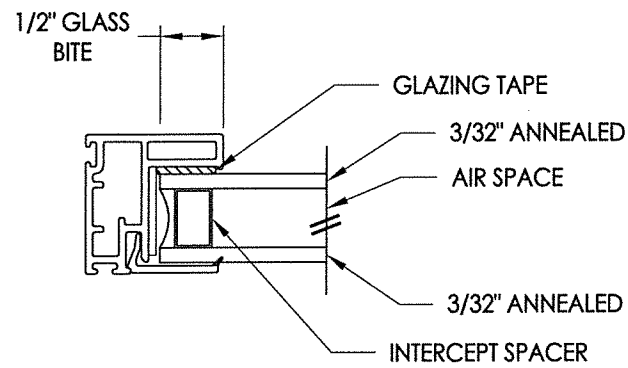
10 STAYBAR



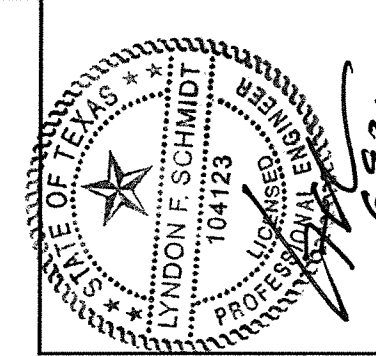
12 BOTTOM RAIL Lower Sash



30 REINFORCEMENT FIXED MEETING RAIL



G1 GLAZING DETAIL



Documents Prepared By: Lyndon F. Schmidt, P.E.
TEXAS P.E. #104123

R.W. BUILDING CONSULTANTS, INC.
P.O. Box 230 Valrico FL 33595
Phone No.: 813.659.9197

TEXAS BOARD OF PROFESSIONAL ENGINEERS
CERTIFICATE OF REGISTRATION # F-11852

PRODUCT: 5400/5400S SERIES
Vinyl Single Hung Window
PART OR ASSEMBLY:
BILL OF MATERIALS
COMPONENTS & GLAZING DETAILS

NO.	DATE	BY	REVISIONS
1	1/21/20	LFS	UPDATE TO 2018 IBC/IRC

DATE: 4/27/16
SCALE: N.T.S.
DWG. BY: JK
CHK. BY: LFS
DRAWING NO.: TX-4470
SHEET 3 OF 3