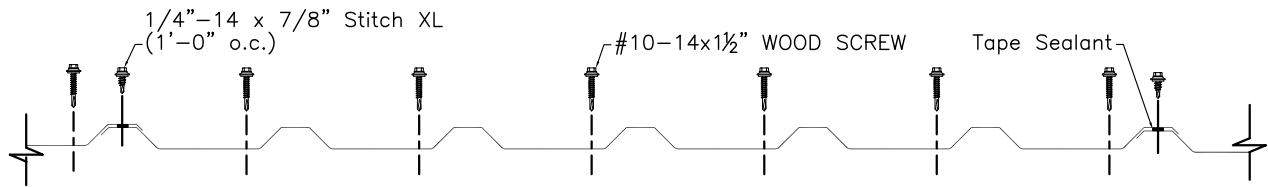
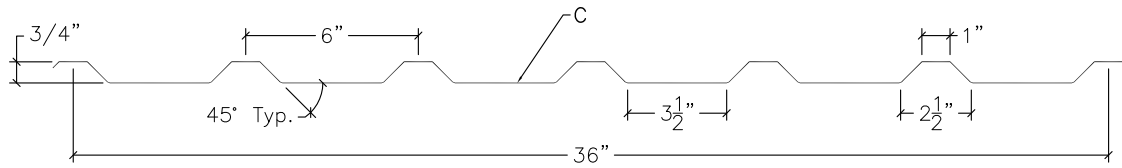
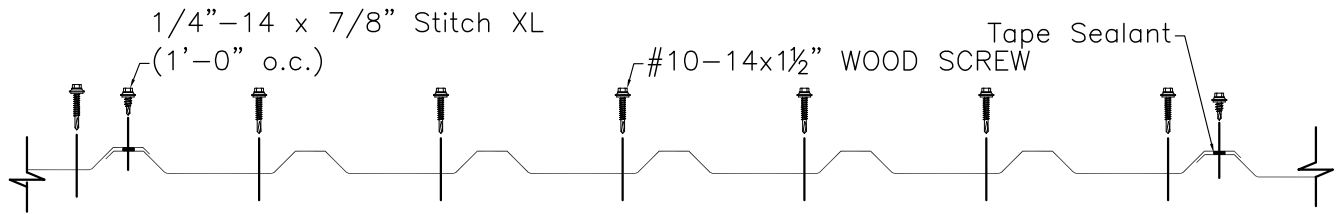
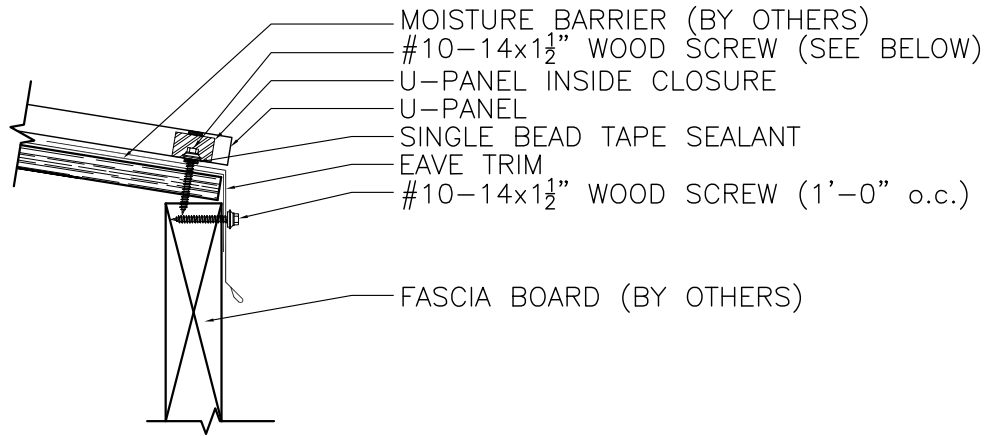


**Metal Sales**  
**U-Panel**  
**Metal Roof Panel**  
**Details**

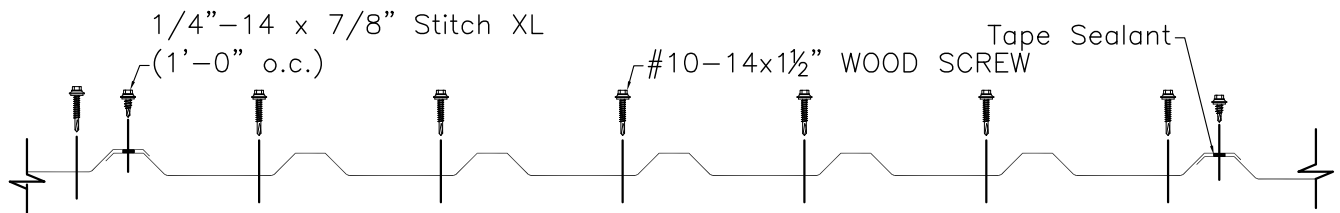
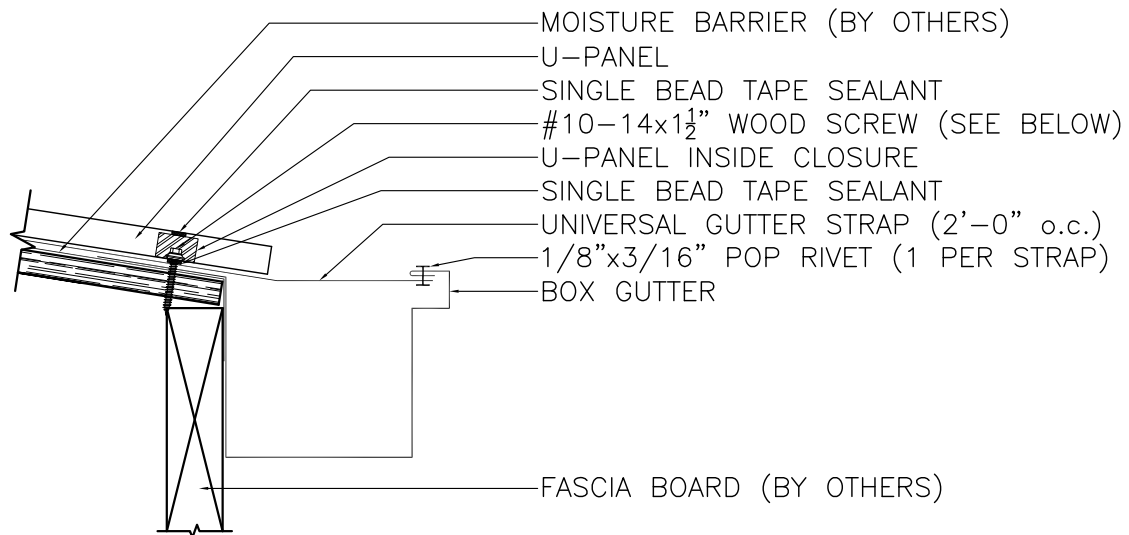
9/6/2013



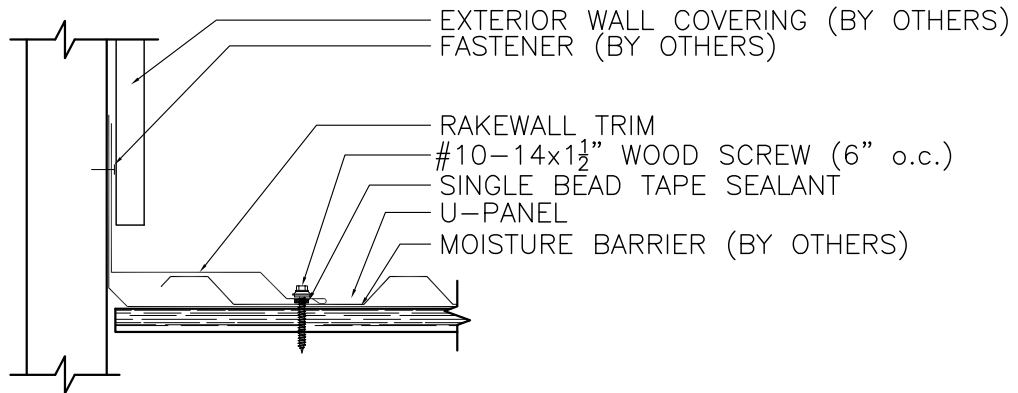
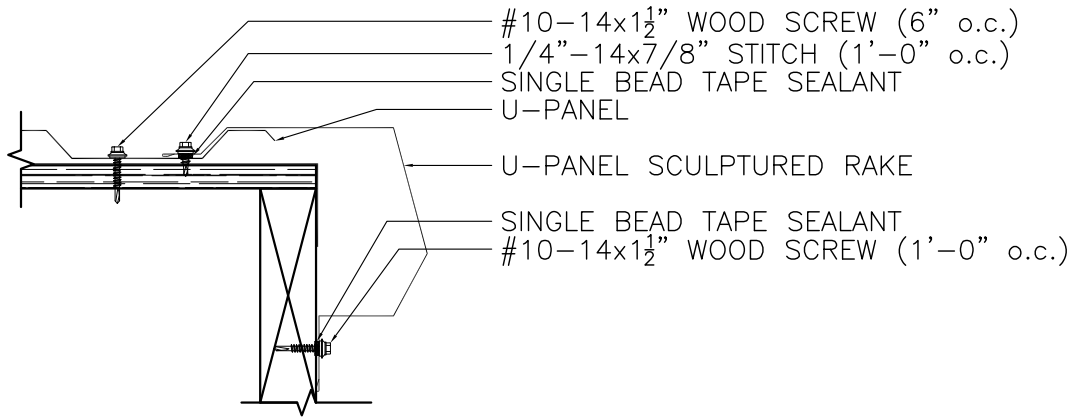
Fastening Pattern in Field and at Panel Ends, Screw Pattern #1

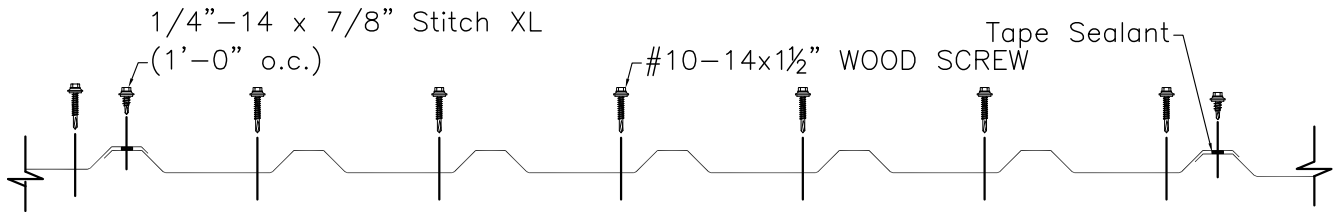
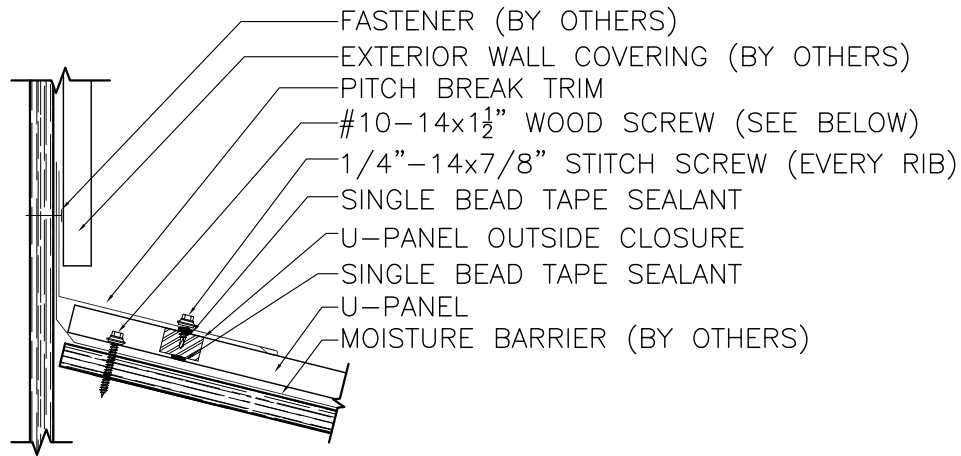


Fastening Pattern in Field and at Panel Ends, Screw Pattern #1

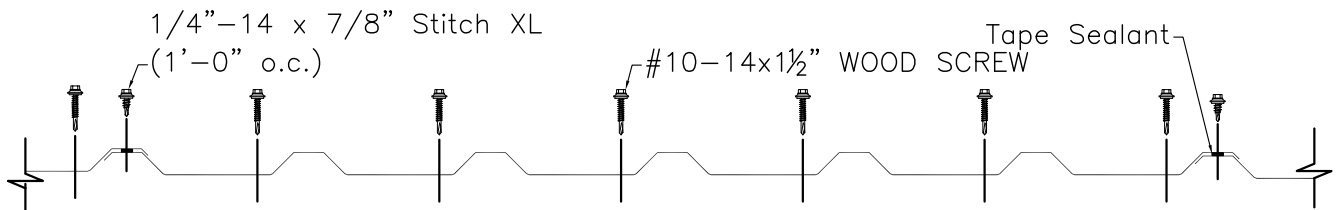
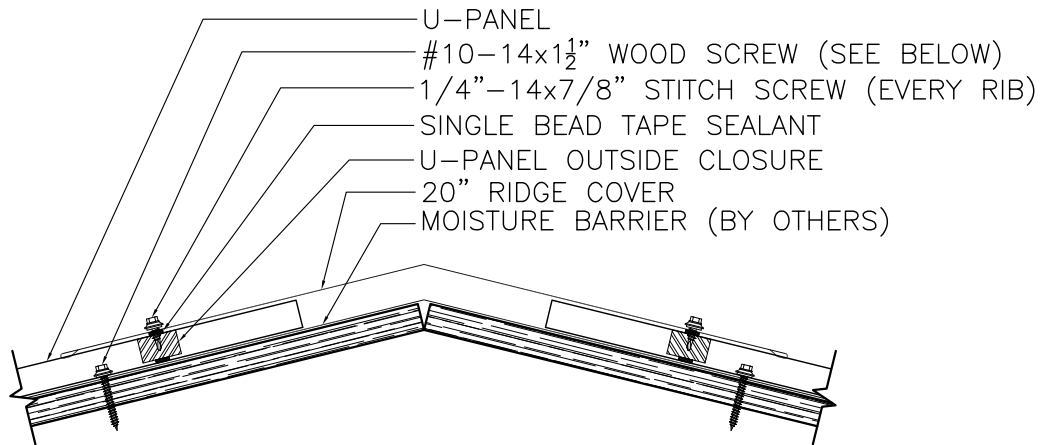


Fastening Pattern in Field and at Panel Ends, Screw Pattern #1

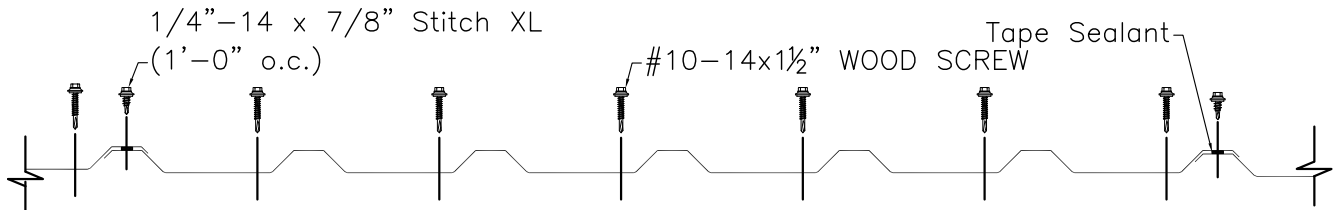
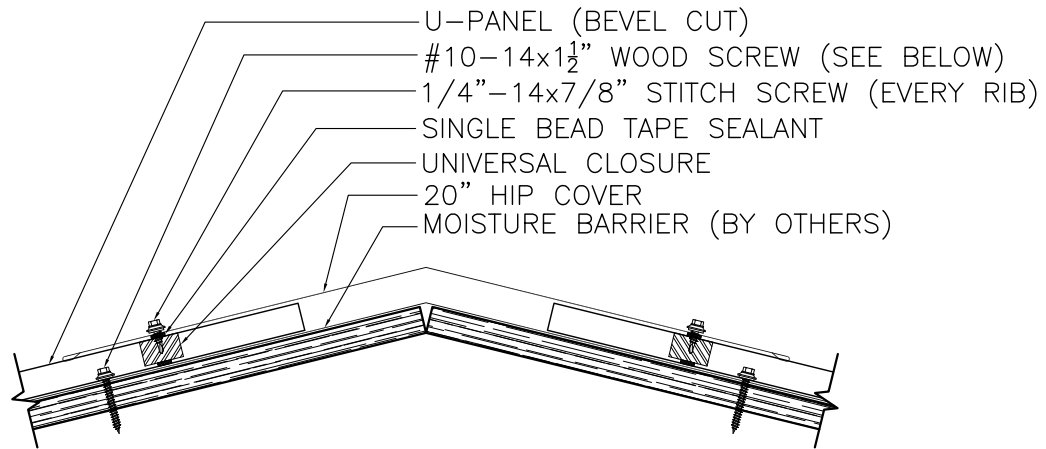




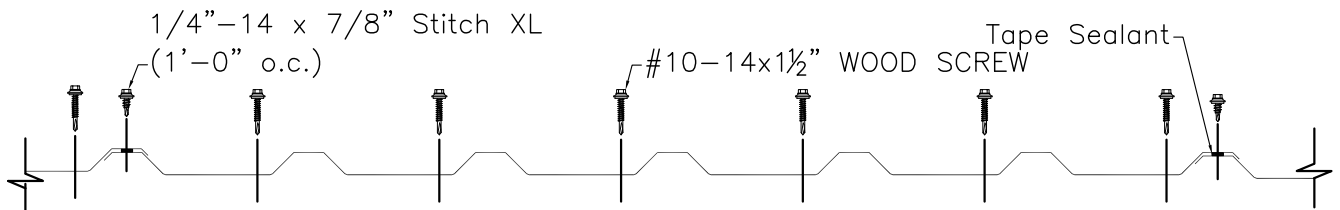
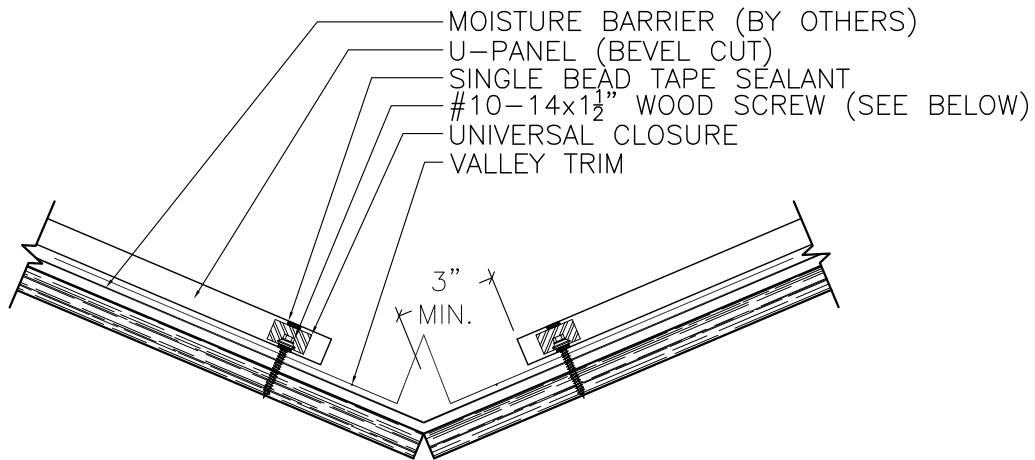
Fastening Pattern in Field and at Panel Ends, Screw Pattern #1



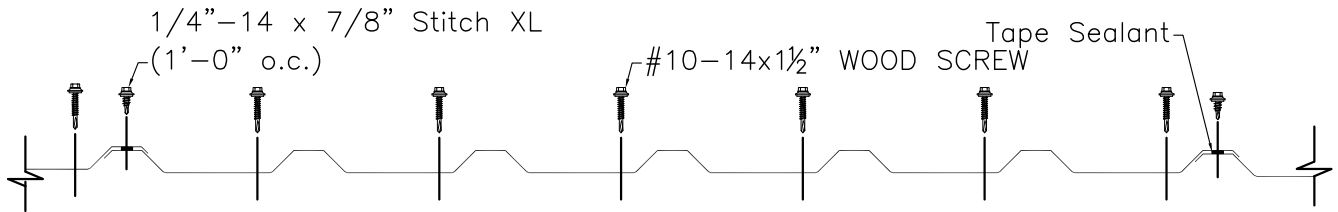
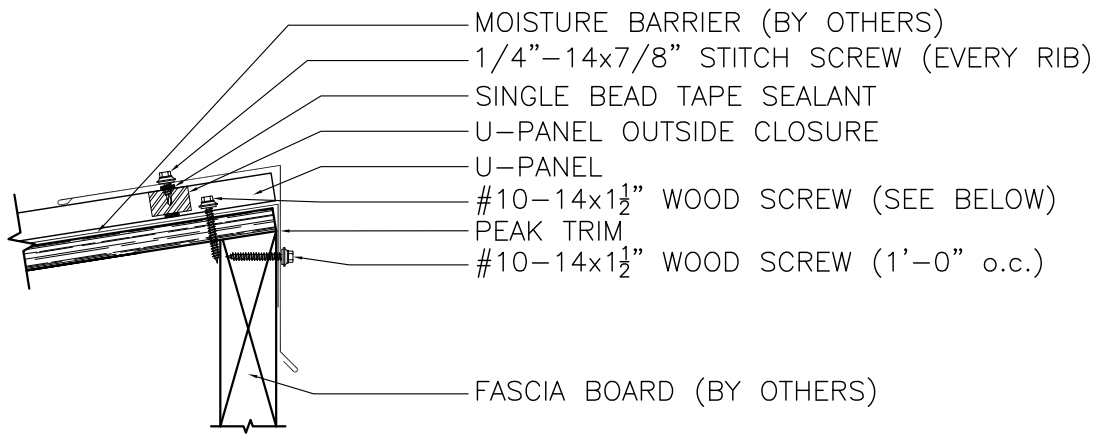
Fastening Pattern in Field and at Panel Ends, Screw Pattern #1



Fastening Pattern in Field and at Panel Ends, Screw Pattern #1



Fastening Pattern in Field and at Panel Ends, Screw Pattern #1



Fastening Pattern in Field and at Panel Ends, Screw Pattern #1