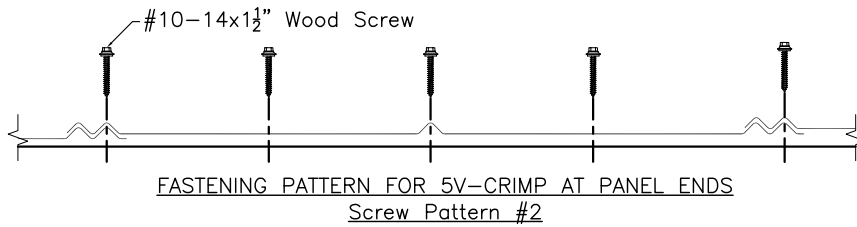
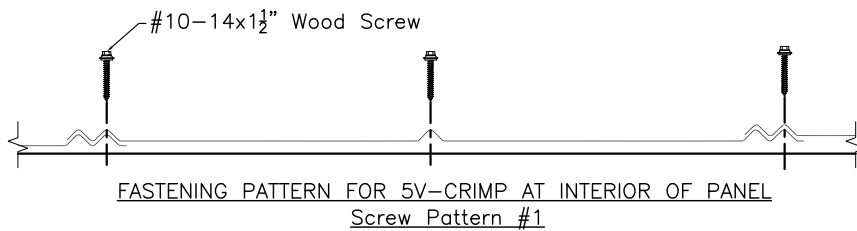
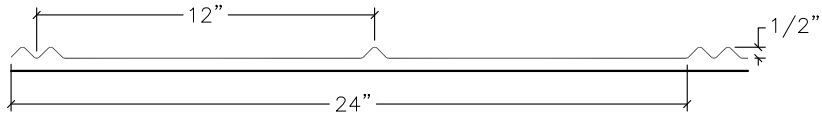
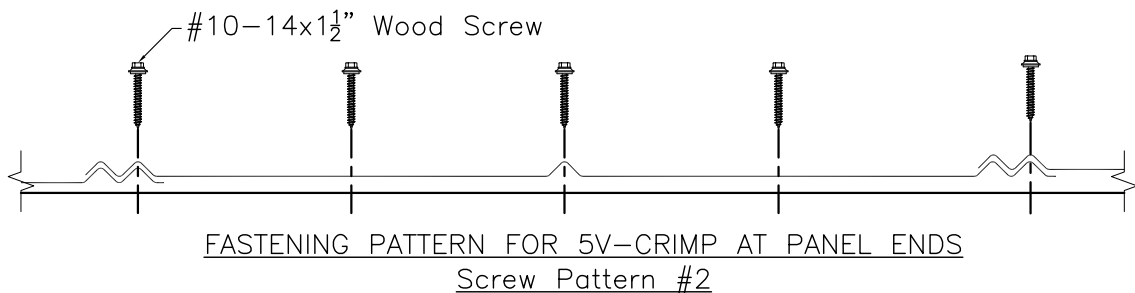
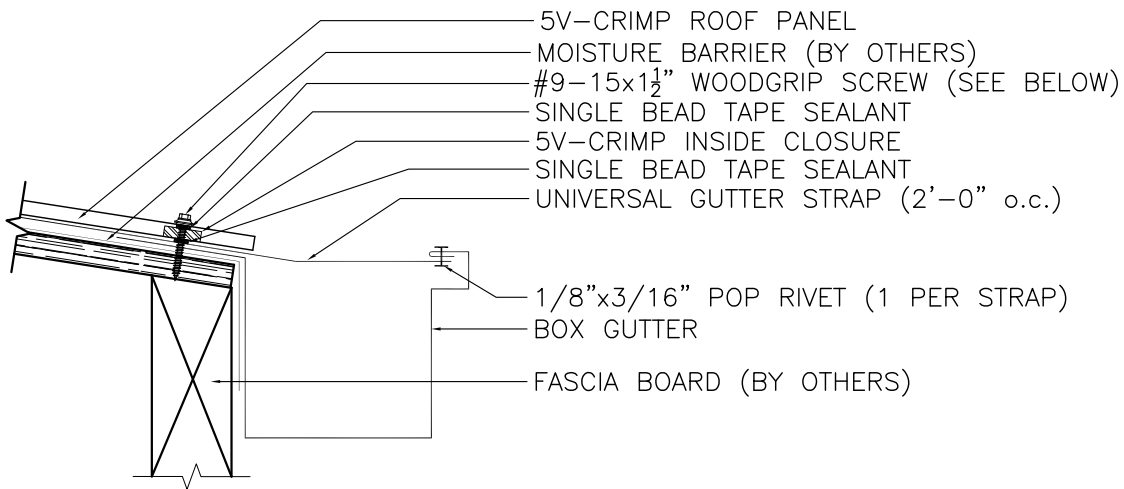
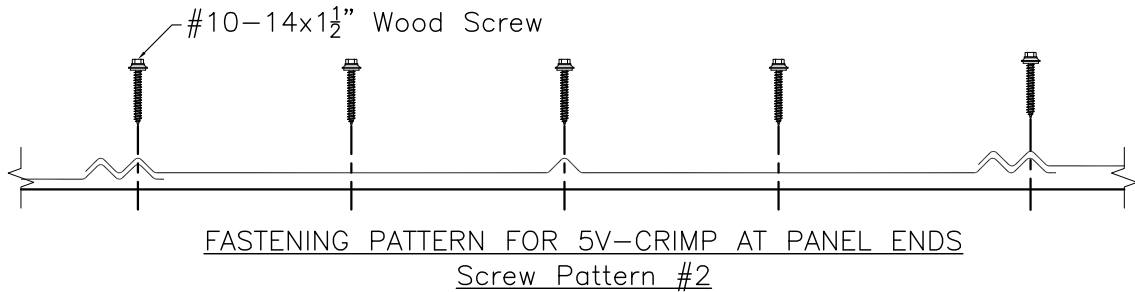
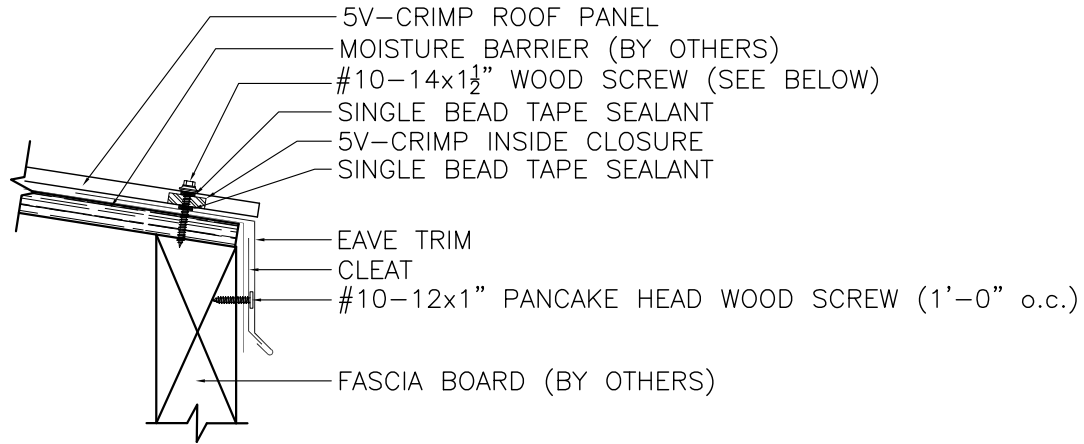
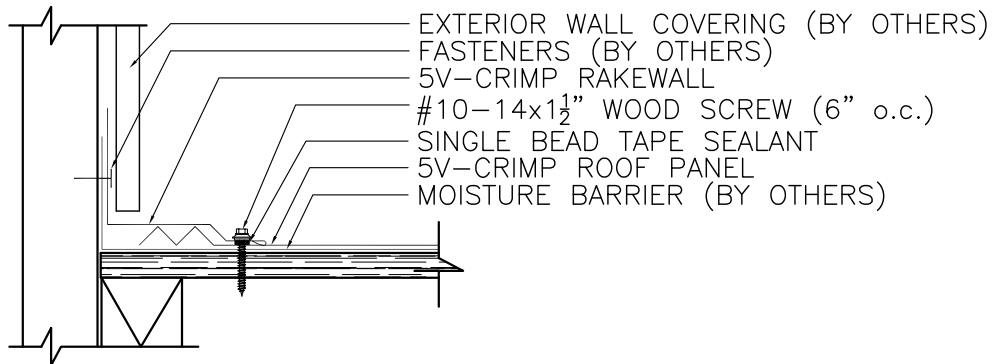
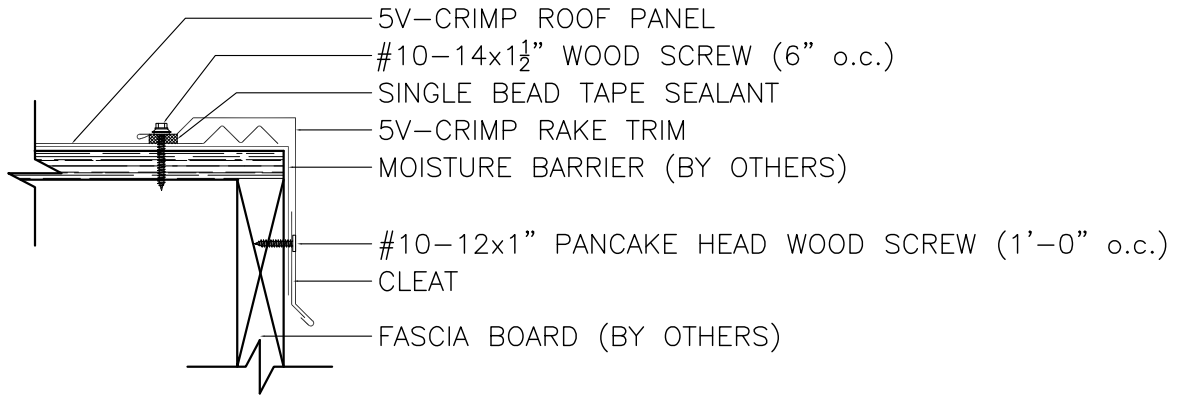


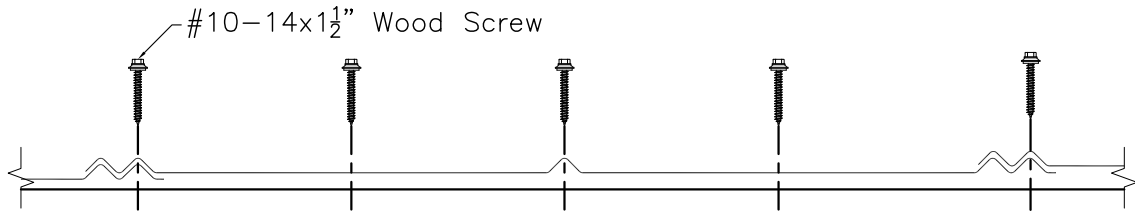
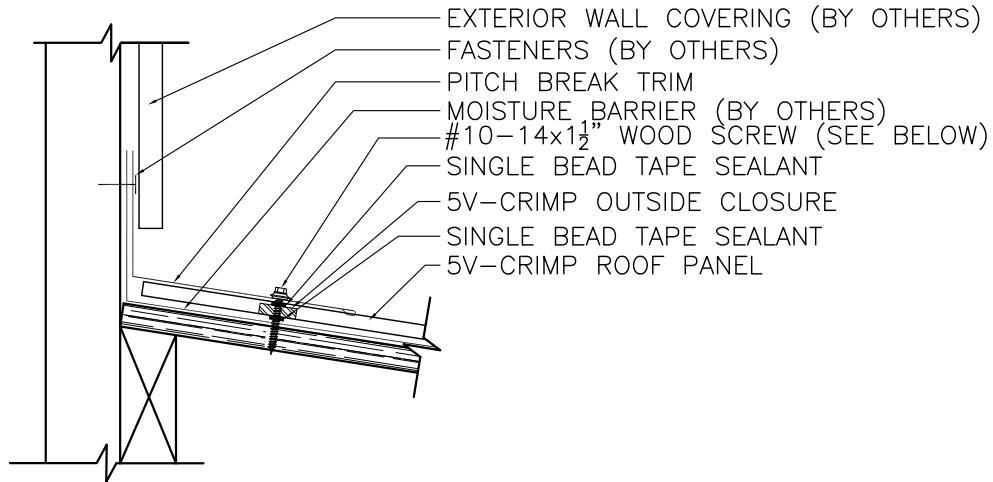
Metal Sales
5V-Crimp
Metal Roof Panel
Details

9/6/2013

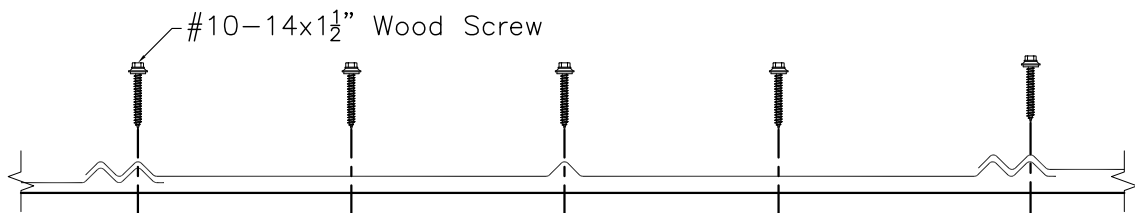
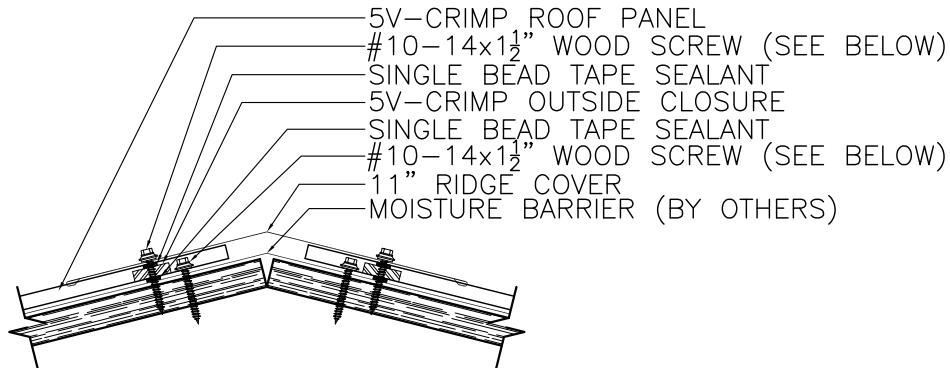




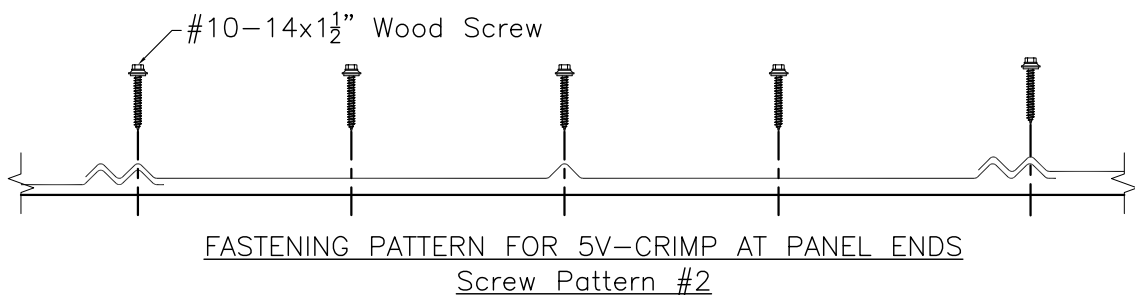
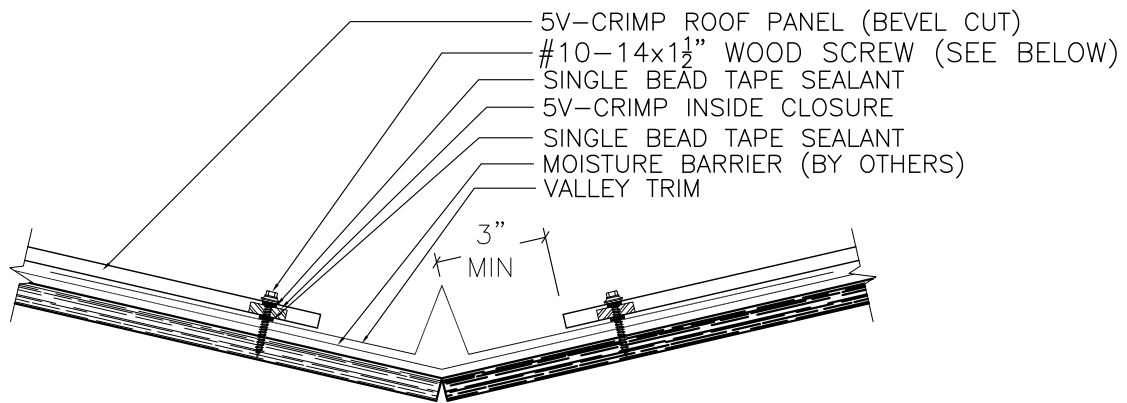
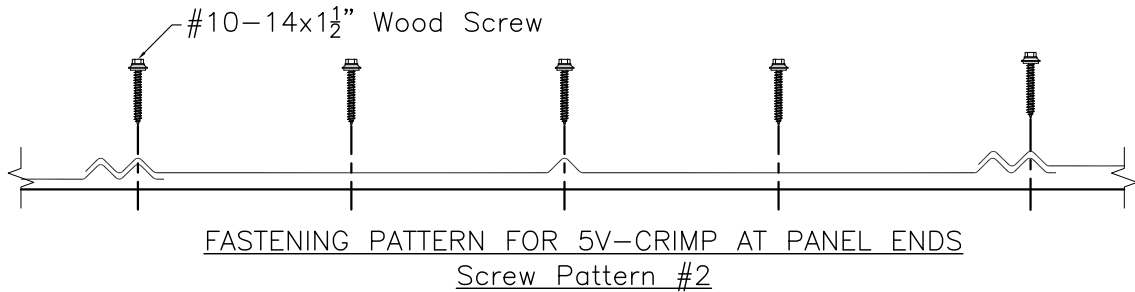
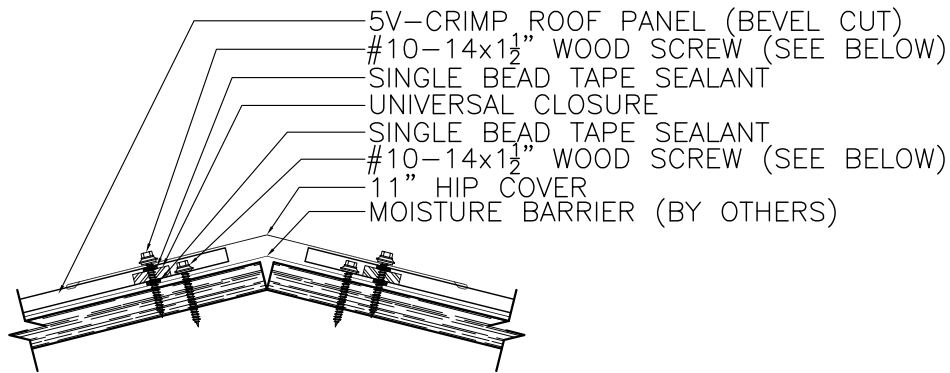


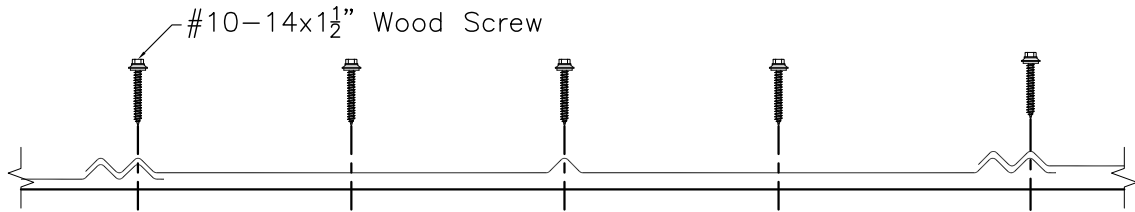
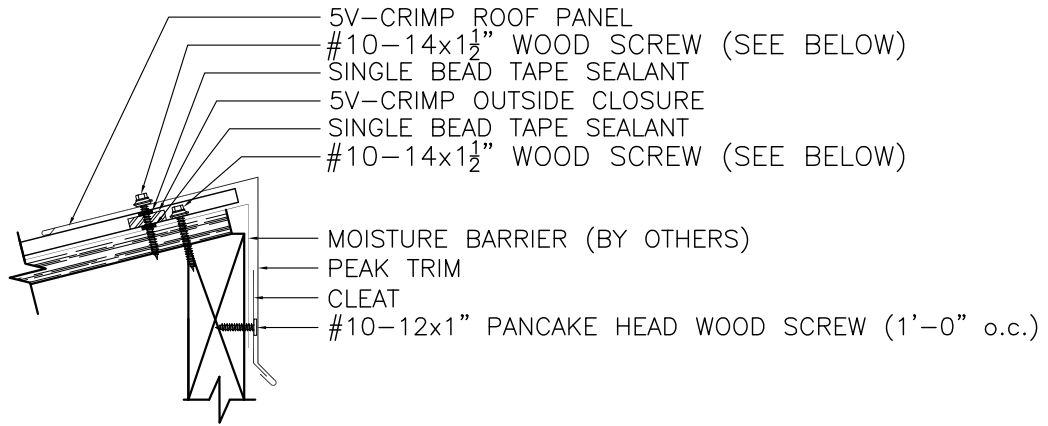


FASTENING PATTERN FOR 5V-CRIMP AT PANEL ENDS
 Screw Pattern #2



FASTENING PATTERN FOR 5V-CRIMP AT PANEL ENDS
 Screw Pattern #2





FASTENING PATTERN FOR 5V-CRIMP AT PANEL ENDS
Screw Pattern #2