

NOTES:

1. STANDARD GLAZING OPTION - .125" MINIMUM DSB GLAZING MEETS UNIFORM STATIC DESIGN PRESSURES SHOWN ON THIS DRAWING. GLAZING SHALL HAVE A MAXIMUM HEIGHT OF 6.70" AND A MAXIMUM LENGTH OF 24.00". GLAZING IS NOT IMPACT RESISTANT AND DOES NOT MEET THE REQUIREMENTS FOR WIND-BORNE DEBRIS REGIONS.

2. ALUMINUM FULL VIEW OPTION - ALUMINUM FULL VIEW SECTION MAY REPLACE ANY SECTION EXCEPT TOP AND BOTTOM PANELS. ALUMINUM FULL VIEW SECTION SHALL HAVE RAILS AND STILES OF EXTRUDED ALUMINUM ALLOY 6063-T6 WITH A 2-1/4" INTEGRAL FIN AND .125" MINIMUM DSB GLAZING INSTALLED WITH ALUMINUM RETAINERS IN ORDER TO MEET UNIFORM STATIC DESIGN PRESSURES SHOWN ON THIS DRAWING. AFV PANEL SIZE IS 45.5"x21.9" (MAX). GLAZING IS NOT IMPACT RESISTANT AND DOES NOT MEET THE REQUIREMENTS FOR WIND-BORNE DEBRIS REGIONS.

3. MINIMUM OF 1" OVERLAP ON BOTH JAMBS REQUIRED TO MEET NEGATIVE DESIGN PRESSURES.

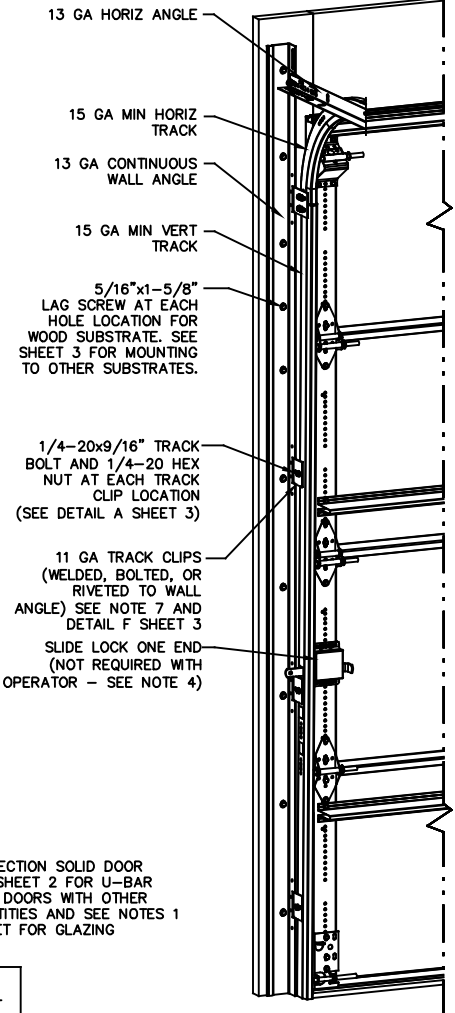
4. SLIDE LOCK OR OPERATOR REQUIRED.

5. SECTION STEEL TO HAVE THE FOLLOWING MINIMUM THICKNESS:
 C20 - 20 GA
 C24 - 24 GA
 C2400 - 25 GA

6. THE DESIGN OF THE SUPPORTING STRUCTURAL ELEMENTS SHALL BE THE RESPONSIBILITY OF THE PROFESSIONAL OF RECORD FOR THE BUILDING OR STRUCTURE AND IN ACCORDANCE WITH CURRENT BUILDING CODES FOR THE LOADS LISTED ON THIS DRAWING.

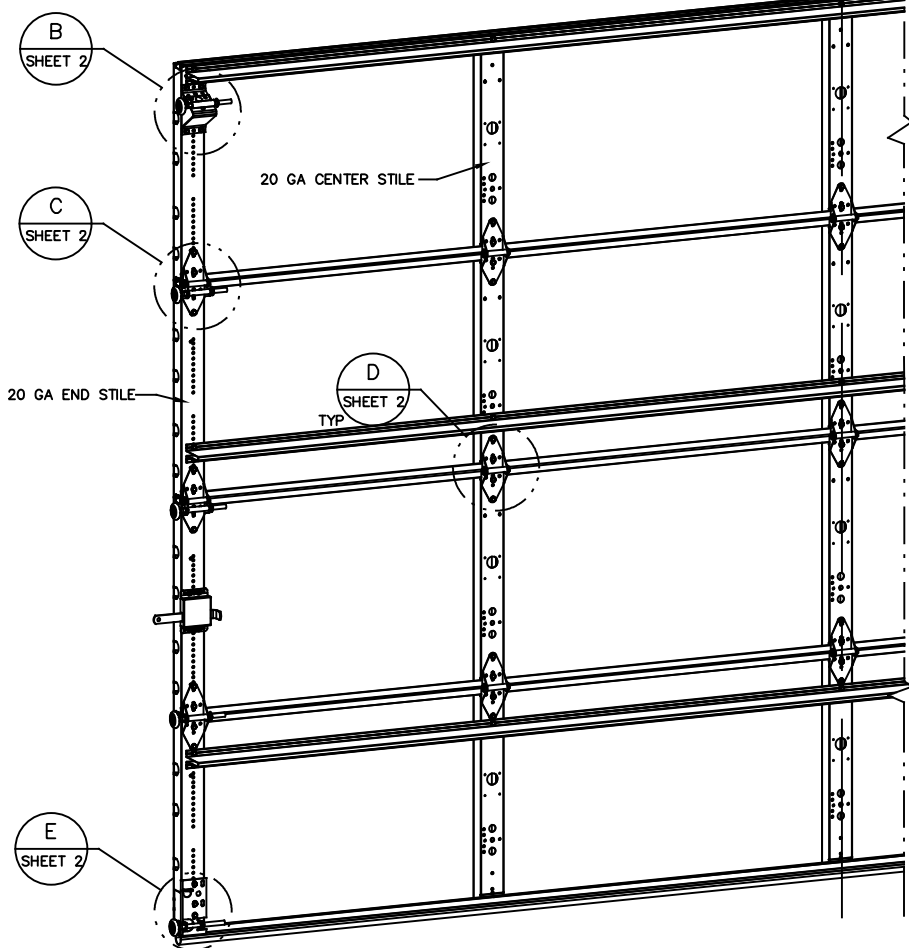
7. TRACK CLIPS SHALL BE LOCATED WITH CENTERLINE OF BOTTOM CLIP SPACED 10" MAX FROM BOTTOM OF TRACK AND REMAINING TRACK CLIPS SPACED AT 24" O.C. MAX. SPACING BETWEEN TOP TRACK CLIP AND SPLICE PLATE SHALL BE 30" O.C. MAX.

8. WHEN MOUNTING TO WOOD, DOOR JAMB TO BE MINIMUM 2x6 STRUCTURAL GRADE LUMBER. REFER TO JAMB CONNECTION SUPPLEMENT FOR ATTACHMENT TO SUPPORTING STRUCTURE.



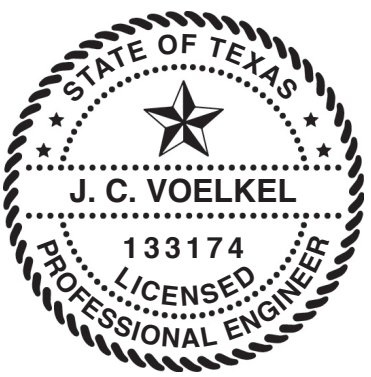
NOTE: (4) SECTION SOLID DOOR SHOWN. SEE SHEET 2 FOR U-BAR LOCATIONS ON DOORS WITH OTHER SECTION QUANTITIES AND SEE NOTES 1 & 2 THIS SHEET FOR GLAZING OPTIONS.

SUPERIMPOSED DESIGN PRESSURE LOADS ON SUPPORTING STRUCTURE		
MAX DOOR WIDTH	DOOR HEIGHT	MAX UNIFORM LOAD EACH JAMB (PLF)
14'-2"	ALL	+80.8/-90.0



REVISIONS

P1	MODIFIED MOUNTING TO STEEL DETAIL. ADDED DETAIL F ON SHEET 2 FOR TRACK CLIPS.	GRT 4/20/08
P2	UPDATED TITLE BLOCK	GRT 3/22/12
P3	UPDATED TITLE BLOCK	ESC 10/13/17
REV D	DRAWING UPDATE	TLC 11/12/20
REV E	ADDED SIZE OF AFV PANEL	TLC 4/28/21



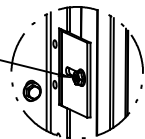
THE DOORS ARE DESIGNED AND MANUFACTURED TO COMPLY WITH THE 2018 IRC AND THE 2018 IBC.

Wayne Dalton
 GARAGE DOORS
 A DIVISION OF OVERHEAD DOOR CORP.
 3395 ADDISON DRIVE
 PENSACOLA, FLORIDA 32514
 (850) 474-9890

STATIC PRESSURE RATINGS		APPROVED SIZES	SCALE: N.T.S.	SIZE: A
DESIGN (PSF):	+11.40/-12.70	MAX WIDTH: 14'-2"	DATE	NAME
TEST (PSF):	+17.10/-19.05	MAX HEIGHT: 24'-1"	DRAWN	GRT
IMPACT/CYCLIC RATED (YES/NO):	NO	MAX SECTION HEIGHT: 24"	CHECKED	TLC
MODELS C20/C24/C2400			SHEET 1 OF 3	
WINDLOAD SPECIFICATION OPTION CODE 2030			DRAWING PART NO.	REV.
			332581	E

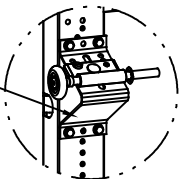
J. CHRISTIAN VOELKEL, PE
 312 N. NEW WARRINGTON ROAD, UNIT 1A
 PENSACOLA, FL
 FL PE 82229
 TX PE 133174
 PROFESSIONAL ENGINEER'S SEAL PROVIDED ONLY FOR VERIFICATION OF WINDLOAD CONSTRUCTION DETAILS.

1/4-20x9/16" TRACK BOLT AND 1/4-20 HEX NUT THROUGH THE SLOT IN THE TRACK AND TRACK CLIP



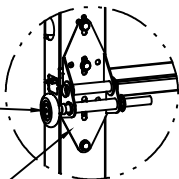
DETAIL A

12 GA COMMERCIAL 'A' FRAME BRACKET ASSEMBLY WITH 13 GA ROLLER CARRIER ATTACHED WITH (4) 1/4-14x7/8" SELF DRILLING CRIMPITITE SCREWS



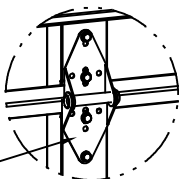
DETAIL B

2" STEEL ROLLER WITH 5-1/8" STEM AND 7/16" PUSHNUT AT EACH ROLLER LOCATION. 1/4" MAX BETWEEN PUSHNUT AND BRACKET OR HINGE



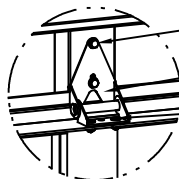
DETAIL C

13 GA WIDE BODY END HINGES EACH ATTACHED WITH (4) 1/4-14x7/8" SELF DRILLING CRIMPITITE SCREWS



SOLID SECTION

14 GA WIDE BODY INTERMEDIATE HINGE ATTACHED WITH (4) 1/4-14x7/8" SELF DRILLING CRIMPITITE SCREWS

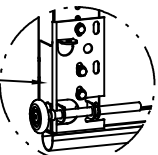


AFV SECTION

(2) 1/4-14x7/8" SELF DRILLING CRIMPITITE SCREWS
HALF HINGE
(2) 1/4 x 1/2" CARRIAGE BOLTS AND 1/4" FLANGE NUTS

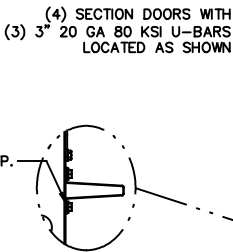
DETAIL D

12 GA BOTTOM BRACKET ATTACHED WITH (3) 1/4-14x7/8" SELF DRILLING CRIMPITITE SCREWS



DETAIL E

ATTACH U-BARS WITH (2) 1/4-14x7/8" SELF DRILLING CRIMPITITE SCREWS AT ALL STILE LOCATIONS, TYP.



(12) SECTION DOORS WITH (8) 3" 20 GA 80 KSI U-BARS LOCATED AS SHOWN

(11) SECTION DOORS WITH (8) 3" 20 GA 80 KSI U-BARS LOCATED AS SHOWN

(10) SECTION DOORS WITH (7) 3" 20 GA 80 KSI U-BARS LOCATED AS SHOWN

(9) SECTION DOORS WITH (6) 3" 20 GA 80 KSI U-BARS LOCATED AS SHOWN

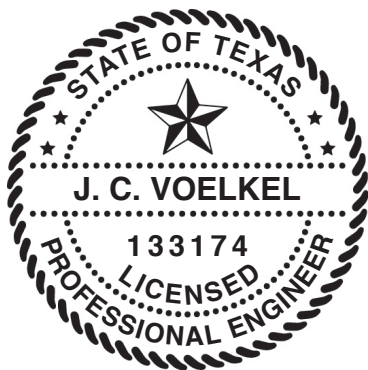
(8) SECTION DOORS WITH (6) 3" 20 GA 80 KSI U-BARS LOCATED AS SHOWN

(7) SECTION DOORS WITH (5) 3" 20 GA 80 KSI U-BARS LOCATED AS SHOWN

(6) SECTION DOORS WITH (4) 3" 20 GA 80 KSI U-BARS LOCATED AS SHOWN

(5) SECTION DOORS WITH (4) 3" 20 GA 80 KSI U-BARS LOCATED AS SHOWN

(4) SECTION DOORS WITH (3) 3" 20 GA 80 KSI U-BARS LOCATED AS SHOWN



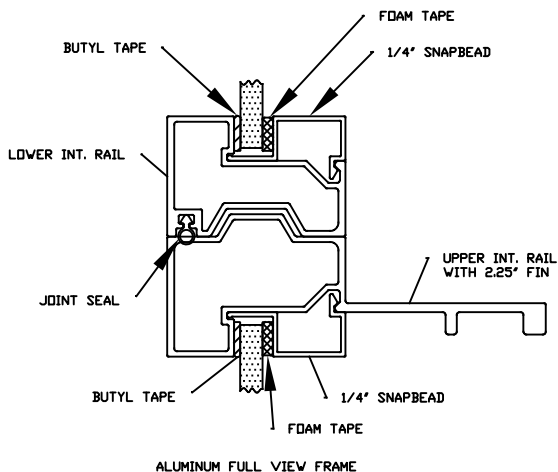
J. CHRISTIAN VOELKEL, PE
312 N. NEW WARRINGTON ROAD, UNIT 1A
PENSACOLA, FL
FL PE 82229
TX PE 133174

PROFESSIONAL ENGINEER'S SEAL PROVIDED ONLY FOR VERIFICATION OF WINDLOAD CONSTRUCTION DETAILS.

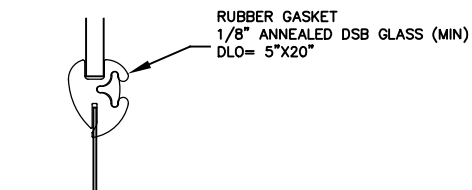
Wayne Dalton
GARAGE DOORS

A DIVISION OF OVERHEAD DOOR CORP.
3395 ADDISON DRIVE
PENSACOLA, FLORIDA 32514
(850) 474-9890

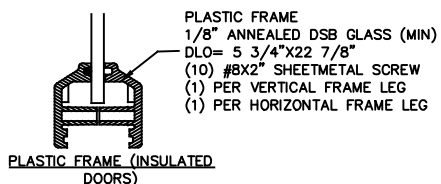
STATIC PRESSURE RATINGS		APPROVED SIZES		SCALE: N.T.S.	SIZE: A
DESIGN (PSF):	+11.40/-12.70	MAX WIDTH:	14'-2"	DATE	NAME
TEST (PSF):	+17.10/-19.05	MAX HEIGHT:	24'-1"	DRAWN	GRT
IMPACT/CYCLIC RATED (YES/NO):	NO	MAX SECTION HEIGHT:	24"	CHECKED	TLC
MODELS C20/C24/C2400				SHEET 2 OF 3	
WINDLOAD SPECIFICATION OPTION CODE 2030				DRAWING PART NO.	REV.
				332581	E



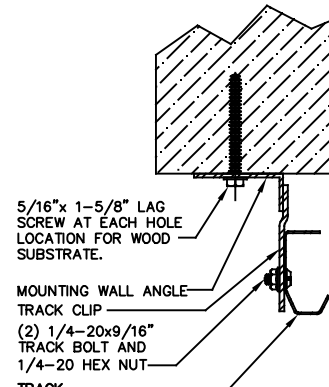
ALUMINUM FULL VIEW FRAME



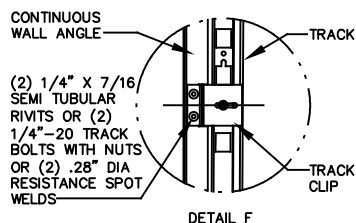
RUBBER GASKET (NON-INSULATED DOORS)



PLASTIC FRAME (INSULATED DOORS)

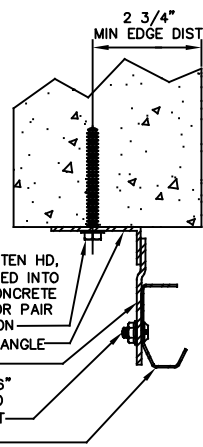


WOOD MOUNTING DETAIL - ANGLE OUT

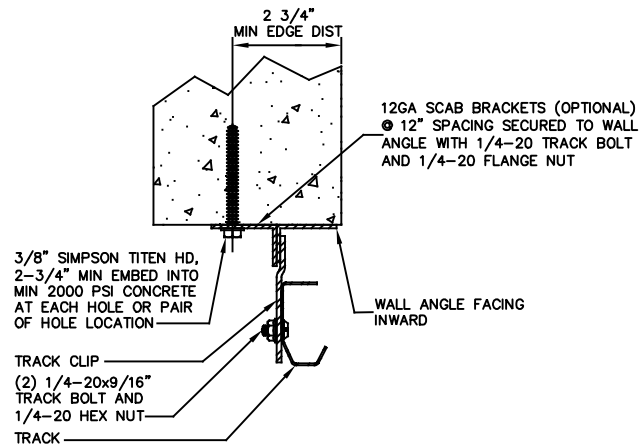


DETAIL F

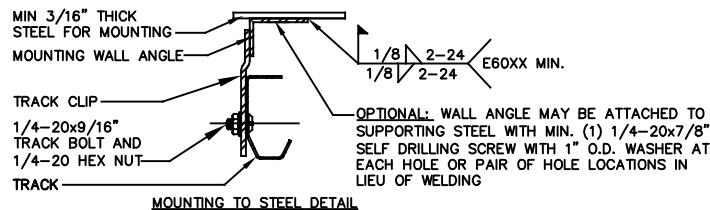
EXTERIOR FRAME



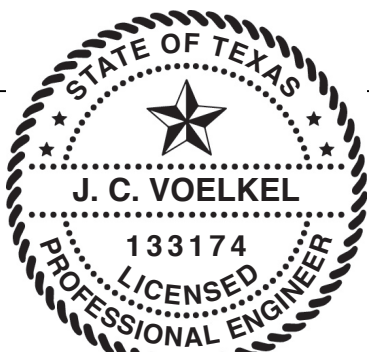
CONCRETE MOUNTING DETAIL - ANGLE OUT



CONCRETE MOUNTING DETAIL - ANGLE IN



MOUNTING TO STEEL DETAIL



J. CHRISTIAN VOELKEL, PE
 312 N. NEW WARRINGTON ROAD, UNIT 1A
 PENSACOLA, FL
 FL PE 82229
 TX PE 133174
 PROFESSIONAL ENGINEER'S SEAL PROVIDED ONLY FOR
 VERIFICATION OF WINDLOAD CONSTRUCTION DETAILS.

<p>WAYNE DALTON GARAGE DOORS</p> <p>A DIVISION OF OVERHEAD DOOR CORP. 3395 ADDISON DRIVE PENSACOLA, FLORIDA 32514 (850) 474-9890</p>	STATIC PRESSURE RATINGS DESIGN (PSF): +11.40/-12.70 TEST (PSF): +17.10/-19.05 IMPACT/CYCLIC RATED (YES/NO): NO		APPROVED SIZES MAX WIDTH: 14'-2" MAX HEIGHT: 24'-1" MAX SECTION HEIGHT: 24"		SCALE: N.T.S.	SIZE: A
	DATE: 5/22/07 CHECKED: 4/28/21		DRAWN: GRT NAME: TLC		SHEET 3 OF 3	
	MODELS C20/C24/C2400				DRAWING PART NO. 332581	
	WINDLOAD SPECIFICATION OPTION CODE 2030				REV. E	