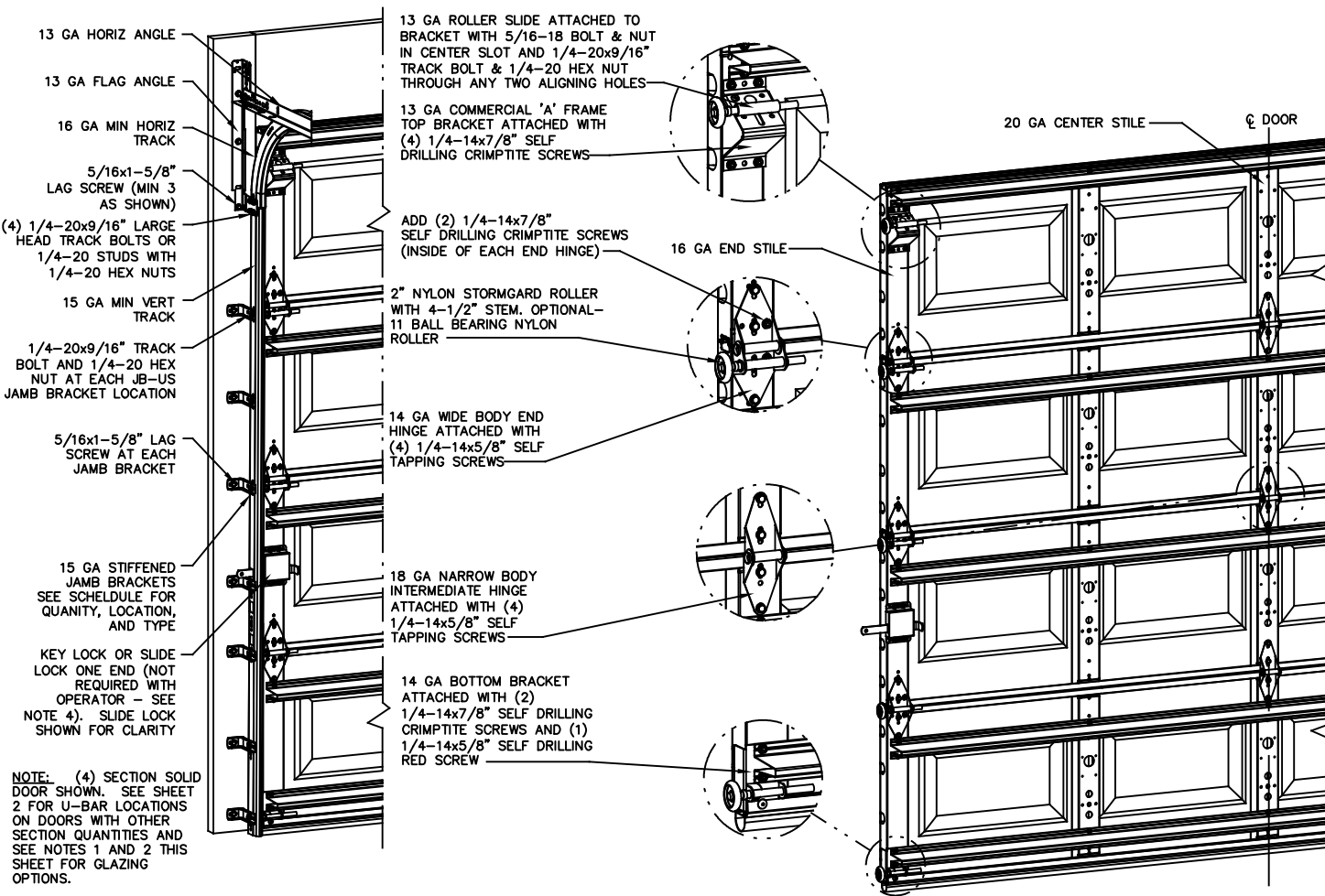


NOTES:

1. IMPACT RESISTANT GLAZING OPTION— IMPACT RESISTANT GLAZING SYSTEM MAY BE INSTALLED IN TOP OR INTERMEDIATE SECTION (WITH OR WITHOUT DECORATIVE INSERTS). GLAZING SHALL BE 1/4" POLYCARBONATE. MAXIMUM GLAZING DIMENSIONS SHALL BE 11" x 17" CUTOUT, FASTENED WITH #8 X 1" SMS: 3X ALONG THE HORIZONTAL AND 2X ALONG THE VERTICAL. SEE DETAIL A ON SHEET 2 FOR ASSEMBLY DETAILS.
2. VINYL OR WOOD DOOR STOP NAILED A MAXIMUM OF 6" O.C. MUST OVERLAP TOP AND BOTH ENDS OF PANELS MINIMUM 7/16" TO MEET NEGATIVE PRESSURES.
3. KEY LOCK, SLIDE LOCK, OR OPERATOR REQUIRED.
4. SECTION STEEL TO HAVE A MINIMUM 25 GA THICKNESS.
5. THE DESIGN OF THE SUPPORTING STRUCTURAL ELEMENTS SHALL BE THE RESPONSIBILITY OF THE PROFESSIONAL OF RECORD FOR THE BUILDING OR STRUCTURE AND IN ACCORDANCE WITH CURRENT BUILDING CODES FOR THE LOADS LISTED ON THIS DRAWING.
6. DOOR JAMB TO BE MINIMUM 2x6, STRUCTURAL GRADE SOUTHERN PINE. REFER TO JAMB CONNECTION SUPPLEMENT FOR ATTACHMENT TO SUPPORTING STRUCTURE.
7. FOR LOW HEAD ROOM LIFT CONDITIONS, TOP BRACKET SHALL BE A 13 GA LHR 7/4 TOP BRACKET WITH A MINIMUM OF (3) 1/4-14x7/8" SELF DRILLING CRIMPITITE SCREWS IN LIEU OF THE BRACKET SHOWN ON THIS DRAWING. U-BAR ON TOP SECTION SHALL BE INSTALLED ON TOP OF LHR TOP BRACKETS.



NOTE: (4) SECTION SOLID DOOR SHOWN. SEE SHEET 2 FOR U-BAR LOCATIONS ON DOORS WITH OTHER SECTION QUANTITIES AND SEE NOTES 1 AND 2 THIS SHEET FOR GLAZING OPTIONS.

REVISIONS

- P1 IMPACT RESISTANT TO STATE THAT LOUVERS ARE NOT IMPACT RESISTANT. INCREASED DESIGN PRESSURE TO +46.00/-52.00 PSF. GRT 6/29/07
- P2 ADDED IMPACT RESISTANT GLAZING. ADDED DETAIL A SHEET 2 FOR GLAZING. ADDED MAX GLAZING DIMENSION TO NOTES SHEET 1. ADDED TRACK TO FLAG CONNECTION NOTE. GRT 11/10/07
- P3 MODIFIED LOUVER OPTION. ADDED TEXAS LICENSE NUMBER TO TITLE BLOCK. GRT 9/19/08
- P4 UPDATED TITLE BLOCK AND IMPACT GLAZING GRT 4/16/12
- P5 UPDATED TITLE BLOCK ESC 10/3/17
- P6 UPDATED TITLE BLOCK, REV PER ER 31052 ESC 5/31/18
- P7 UPDATED NOTES ADDED LHR DETAIL ER 31052 ESC 2/12/19

SUPERIMPOSED DESIGN PRESSURE LOADS ON SUPPORTING STRUCTURE

DOOR WIDTH	DOOR HEIGHT	UNIFORM LOAD EACH JAMB (PLF)
8'-0"	ALL	+184.0/-208.0
9'-0"	ALL	+207.0/-234.0

JAMB BRACKET SCHEDULE

DOOR HEIGHT	NO. OF SECTIONS	NO. OF JAMB BRACKETS (EACH JAMB)	LOCATION OF CENTERLINE OF JAMB BRACKETS MEASURED FROM BOTTOM OF TRACK (ALL DIMENSIONS ± 2")
6'-6"	4	7	2" (JB-US), 10" (JB-US), 21-3/4" (JB-US), 29-3/4" (JB-US), 39" (JB-US), 48" (JB-US), 57-1/4" (JB-US)
7'-0"	4	7	2" (JB-US), 10" (JB-US), 21-3/4" (JB-US), 29-3/4" (JB-US), 42" (JB-US), 52-1/2" (JB-US), 63-1/4" (JB-US)
7'-6"	5	8	2" (JB-US), 10" (JB-US), 18-3/4" (JB-US), 26-3/4" (JB-US), 36" (JB-US), 45" (JB-US), 54-1/4" (JB-US), 74-1/2" (JB-US)
8'-0"	5	8	2" (JB-US), 10" (JB-US), 21-3/4" (JB-US), 29-3/4" (JB-US), 39" (JB-US), 48" (JB-US), 57-1/2" (JB-US), 75-1/2" (JB-US)
> 8'-0"			SEE NOTE BELOW

NOTE: (JB-US) FOLLOWING DIMENSION DENOTES SLOTTED JAMB BRACKET ATTACHED TO TRACK WITH 1/4-20x9/16" TRACK BOLT AND NUT AS SHOWN ABOVE.
ALL DOORS GREATER THAN 8' IN HEIGHT REQUIRE USE OF CONTINUOUS WALL ANGLE. SEE SUPPLEMENT TRACK CHART FOR DETAILS.

JOHN E. SCATES, PE
2560 KING ARTHUR BLVD #124-54
LEWISVILLE, TX 75056
FL PE 51737
TX PE 56308/F2203

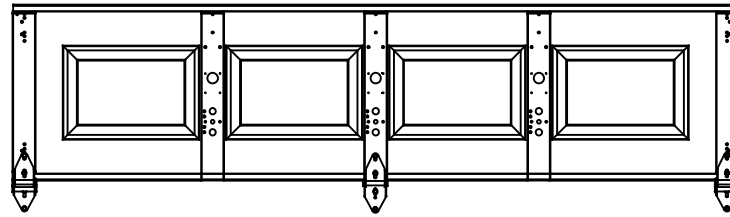
PROFESSIONAL ENGINEER'S SEAL PROVIDED ONLY FOR VERIFICATION OF WINDLOAD CONSTRUCTION DETAILS.



A DIVISION OF OVERHEAD DOOR CORP
3395 ADDISON DRIVE
PENSACOLA, FLORIDA 32514
(850) 474-9890

STATIC PRESSURE RATINGS		APPROVED SIZES		SCALE: N.T.S.		SIZE: A	
DESIGN (PSF):	+46.00/-52.00	MAX WIDTH:	9'-0"	DATE		NAME	
TEST (PSF):	+69.00/-78.00	MAX HEIGHT:	14'-0"	DRAWN	5/17/06	GRT	
IMPACT/CYCLIC RATED (YES/NO):	YES	MAX SECTION HEIGHT:	21"	CHECKED	1/22/07	MRB	
MODELS 8000/8100/8200				SHEET 1 OF 2			
WINDLOAD SPECIFICATION OPTION CODE 1104				DRAWING PART NO.		REV.	
				327013		P7	

CENTER STILE & INTERMEDIATE HINGE LOCATIONS



U-BAR LOCATIONS

- (8) SECTION DOORS WITH
(10) 3" 20 GA 80 KSI U-BARS
LOCATED AS SHOWN
- (7) SECTION DOORS WITH
(9) 3" 20 GA 80 KSI U-BARS
LOCATED AS SHOWN
- (6) SECTION DOORS WITH
(8) 3" 20 GA 80 KSI U-BARS
LOCATED AS SHOWN
- (5) SECTION DOORS WITH
(7) 3" 20 GA 80 KSI U-BARS
LOCATED AS SHOWN
- (4) SECTION DOORS WITH
(5) 3" 20 GA 80 KSI U-BARS
LOCATED AS SHOWN

REVISIONS

P1 MODIFIED NOTES TO STATE THAT LOUVERS ARE NOT IMPACT RESISTANT. INCREASED DESIGN PRESSURE TO +46.00/-52.00 PSF. GRT 6/29/07

P2 ADDED IMPACT RESISTANT GLAZING. ADDED DETAIL A SHEET 2 FOR GLAZING. ADDED MAX GLAZING DIMENSION TO NOTES SHEET 1. ADDED TRACK TO FLAG CONNECTION NOTE. GRT 11/10/07

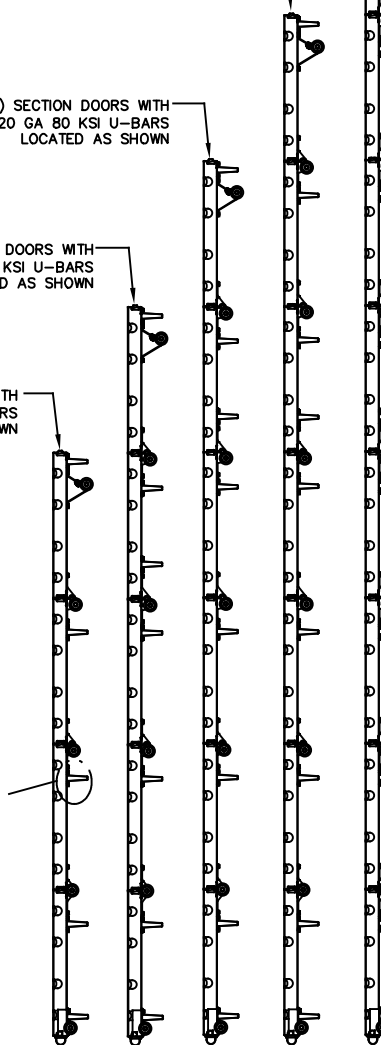
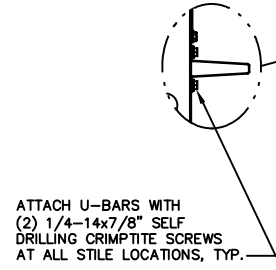
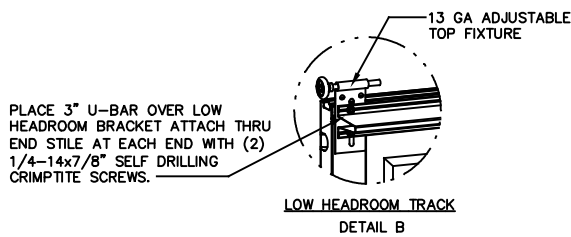
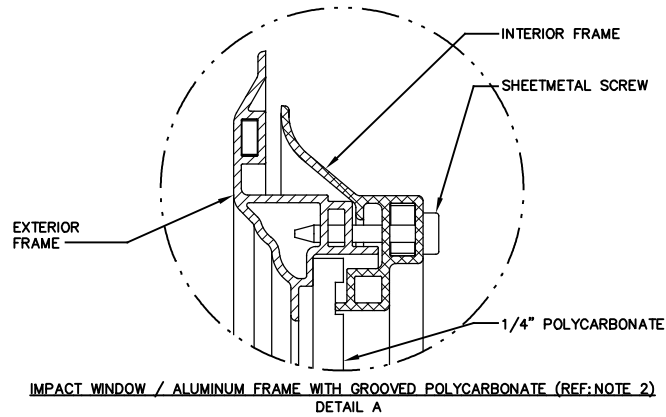
P3 MODIFIED LOUVER OPTION. ADDED TEXAS LICENSE NUMBER TO TITLE BLOCK. GRT 9/19/08

P4 UPDATED TITLE BLOCK AND IMPACT GLAZING GRT 4/16/12

P5 UPDATED TITLE BLOCK ESC 10/3/17

P6 UPDATED TITLE BLOCK, REV PER ER 31052 ESC 5/31/18

P7 UPDATED NOTES ADDED LHR DETAIL ER 31052 ESC 2/12/19



PROFESSIONAL ENGINEER'S SEAL PROVIDED ONLY FOR VERIFICATION OF WINDLOAD CONSTRUCTION DETAILS.

JOHN E. SCATES, PE
2560 KING ARTHUR BLVD #124-54
LEWISVILLE, TX 75056
FL PE 51737
TX PE 56308/F2203

Wayne Dalton
GARAGE DOORS

A DIVISION OF OVERHEAD DOOR CORP
3395 ADDISON DRIVE
PENSACOLA, FLORIDA 32514
(850) 474-9890

STATIC PRESSURE RATINGS		APPROVED SIZES		SCALE: N.T.S.	SIZE: A
DESIGN (PSF):	+46.00/-52.00	MAX WIDTH:	9'-0"	DATE	NAME
TEST (PSF):	+69.00/-78.00	MAX HEIGHT:	14'-0"	DRAWN	GRT
IMPACT/CYCLIC RATED (YES/NO):	YES	MAX SECTION HEIGHT:	21"	CHECKED	MRB
MODELS 8000/8100/8200				SHEET 2 OF 2	
WINDLOAD SPECIFICATION OPTION CODE 1104				DRAWING PART NO.	REV.
				327013	P7