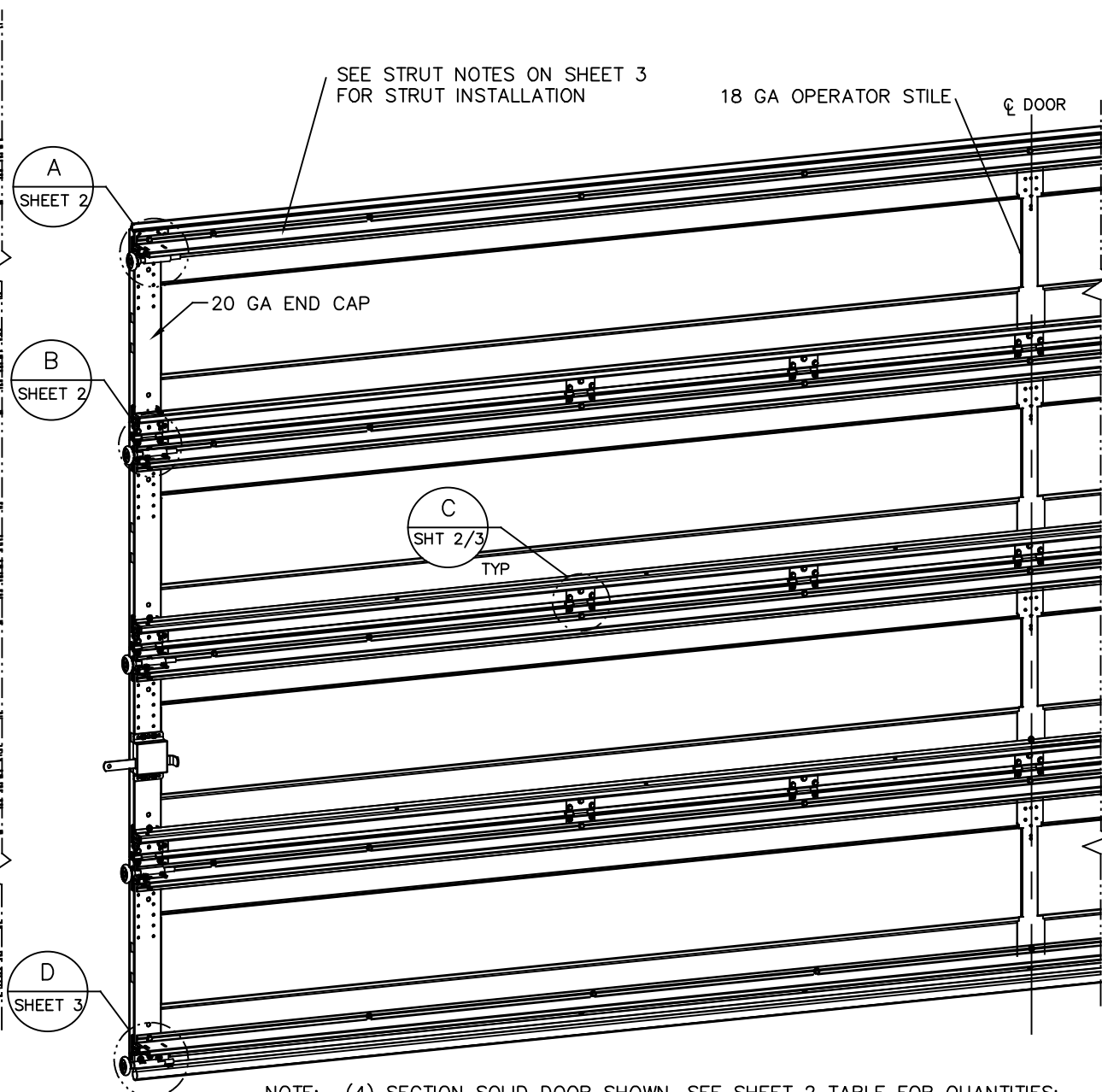
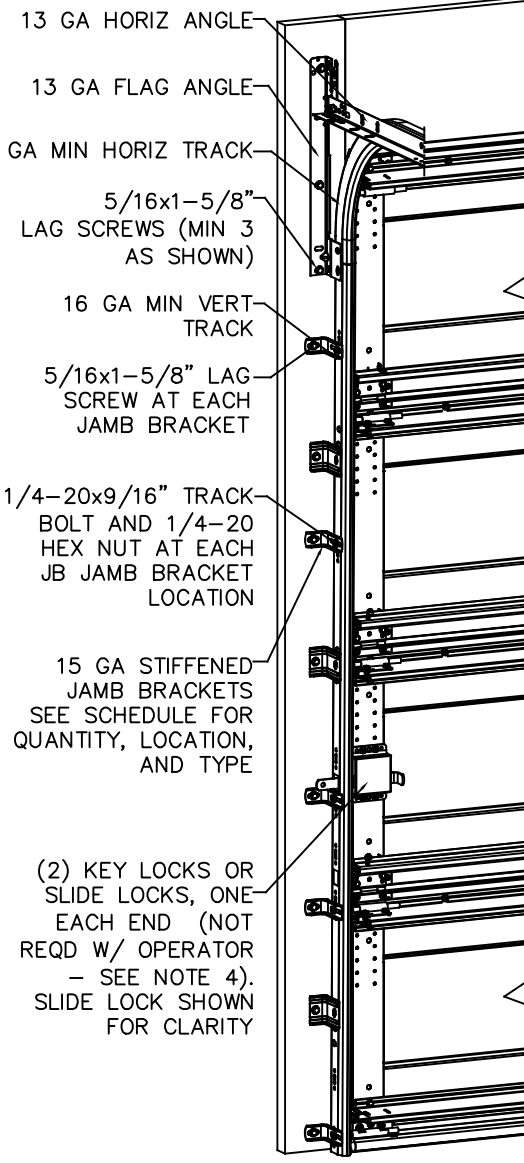


- NOTES:**
- NON-IMPACT GLAZED OPTIONS IN MOLDED FRAMES (DETAIL E):
 - .090 SSB, .125 DSB ANNEALED & TEMPERED GLASS ALLOWED.
 - SHORT LITES:
 - CLEAR OPENING SIZE:
 - MAX WD=15.72; MAX HT=12.72
 - (10) MIN QTY SCREWS #8X1 - (3) ALONG THE HORIZONTAL LEG AND (2) ALONG THE VERTICAL
 - LONG LITES:
 - CLEAR OPENING SIZE:
 - MAX WD=39.92; MAX HT=12.72
 - (14) MIN QTY SCREWS #8X1 - (5) ALONG THE HORIZONTAL LEG AND (2) ALONG THE VERTICAL
 - DECORATIVE TRIM INSERTS ALLOWED.
 - (1) GLAZED SECTION ALLOWED IN 3RD SECTION OR HIGHER.

- VINYL OR WOOD DOOR STOP NAILED A MAXIMUM OF 6" O.C. MUST OVERLAP TOP AND BOTH ENDS OF PANELS MINIMUM 7/16" TO MEET NEGATIVE PRESSURES.
- KEY LOCK, SLIDE LOCKS, OR OPERATOR REQUIRED.
- SECTION SHALL BE CONSTRUCTED WITH FOAMED IN PLACE POLYURETHANE FOAM INSULATION CHEMICALLY BONDED TO 30 GA MINIMUM FACER STEEL AND A POLYLAMINATE OR 32 GA STEEL BACKER. SECTION THICKNESS AT END CAP IS 1.2".
- THE DESIGN OF THE SUPPORTING STRUCTURAL ELEMENTS SHALL BE THE RESPONSIBILITY OF THE PROFESSIONAL OF RECORD FOR THE BUILDING OR STRUCTURE AND IN ACCORDANCE WITH CURRENT BUILDING CODES FOR THE LOADS LISTED ON THIS DRAWING.
- DOOR JAMB TO BE MINIMUM 2x6 SOUTHERN PINE LUMBER. REFER TO JAMB CONNECTION SUPPLEMENT FOR ATTACHMENT TO SUPPORTING STRUCTURE.
- LOUVER OPTION (DETAIL F) - .040" MINIMUM LOUVERS IN MOLDED FRAMES SCREWED TOGETHER WITH A MINIMUM OF (12) #8x5/8" SCREWS INSTALLED IN THE BOTTOM SECTION ((3) ALONG EACH HORIZONTAL LEG AND (3) ALONG EACH VERTICAL LEG) WITH LOUVER OPENING BEING 18 1/8" X 11 1/4". LOUVERS ARE NOT IMPACT RESISTANT AND DO NOT MEET THE REQUIREMENTS FOR WIND-BORNE DEBRIS REGIONS. LOUVERED SECTION REQUIRES OPERATOR STILE TO BE FACTORY INSTALLED AT THE CENTERLINE OF THE DOOR.
- SEE SHEET 3 FOR FASTENER NOTES.
- THE TERMS STRUT AND U-BAR MAY BE USED INTERCHANGEABLY.
- SEE SHEET 3 FOR STRUT ATTACHMENT INSTRUCTIONS.
- COMPLIES WITH THE REQUIREMENTS OF IBC/IRC 2018.



NOTE: (4) SECTION SOLID DOOR SHOWN. SEE SHEET 2 TABLE FOR QUANTITIES: STAMPS, LITES, HINGES & OPERATOR STILES. SEE SHEET 3 FOR STRUT QUANTITY & LOCATIONS. SEE NOTES 1 & 2 ON THIS SHEET FOR GLAZING OPTIONS.

STANDARD LIFT AND LOW HEADROOM JAMB BRACKET SCHEDULE					
DOOR HEIGHT	NO. OF SECTIONS	NO. OF JAMB BRACKETS (EACH JAMB)	TRACK TYPE	LOCATION OF CENTERLINE OF JAMB BRACKETS MEASURED FROM BOTTOM OF TRACK (ALL DIMENSIONS ± 2")	
7'-0"	4	6	QI	2" (JB), 13" (QI), 25-1/2" (JB), 34" (JB), 45-1/4" (QI), 63" (JB)	
7'-0"	4	6	FAT	2" (JB), 10" (JB), 21-3/4" (JB), 29-3/4" (JB), 42" (JB), 63-1/4" (JB)	
8'-0"	4 OR 5	8	QI	2" (JB), 13" (QI), 23" (JB), 34" (JB), 47-1/4" (QI), 58" (JB), 67" (QI), 75" (JB)	
8'-0"	4 OR 5	8	FAT	2" (JB), 10" (JB), 21-3/4" (JB), 29-3/4" (JB), 48" (JB), 57-1/4" (JB), 66" (JB), 75-1/2" (JB)	
> 8'-0"/HIGH LIFT/ROOF PITCH				SEE NOTE BELOW	

- TRACK NOTES:**
- (JB) FOLLOWING DIMENSION DENOTES SLOTTED JAMB BRACKET ATTACHED TO TRACK WITH 1/4-20x9/16" TRACK BOLT AND NUT.
 - (QI) FOLLOWING DIMENSION DENOTES QUICK INSTALL JAMB BRACKET INSTALLED IN BUTTERFLY SLOT. NO ADDITIONAL HARDWARE NEEDED TO ATTACH TO TRACK.
 - ALL DOORS WITH HIGH LIFT, ROOF PITCH, AND/OR GREATER THAN 8' IN HEIGHT REQUIRE USE OF CONTINUOUS WALL ANGLE. SEE SUPPLEMENT TRACK CHART FOR DETAILS.

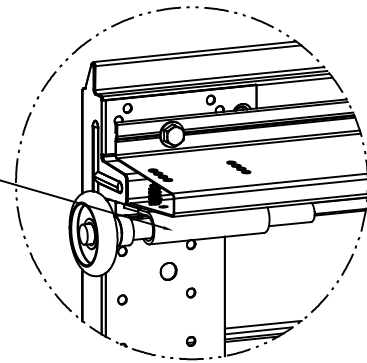
SUPERIMPOSED DESIGN PRESSURE LOADS ON SUPPORTING STRUCTURE		
MAX DOOR WIDTH	DOOR HEIGHT	UNIFORM LOAD EACH JAMB (PLF) 18.4/-20.8
18'-0"	ALL	+166/-187
17'-0"	ALL	+156/-177

JOHN E. SCATES, PE
2560 KING ARTHUR BLVD #124
LEWISVILLE, TX 75056
FL PE 51737
TX PE 56308 / F2203
PROFESSIONAL ENGINEER SEAL PROVIDED ONLY FOR VERIFICATION OF WINDLOAD CONSTRUCTION DETAILS.

<p>Wayne Dalton GARAGE DOORS A DIVISION OF OVERHEAD DOOR CORP 3395 ADDISON DRIVE PENSACOLA, FLORIDA 32514 (850) 474-9890</p>	STATIC PRESSURE RATINGS		APPROVED SIZES		SCALE: N.T.S.	SIZE: C	
	DESIGN (PSF):	+18.4/-20.8	MAX WIDTH:	18'-0"	DATE	NAME	
	TEST (PSF):	+27.6/-31.2	MAX HEIGHT:	12'-0"	DRAWN	3/31/20	SW
	IMPACT/CYCLIC RATED (YES/NO):	NO	MAX SECTION HEIGHT:	24"	CHECKED	5/19/21	TC
MODELS 5120/9100/9405/9605/TS100/TS120				SHEET 1 OF 3			
WINDLOAD SPECIFICATION OPTION CODE 0656				DRAWING PART NO.		REV.	
				411642		B	

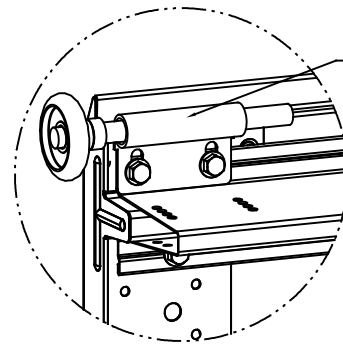
REVISIONS
REV -: INITIAL RELEASE; BL 8AUG20
REV A: PER PCR 32486, ADD NOTE 12: IBC/IRC REGS BL 23SEP20
REV B: ADDED GLAZING VIEWS TLC 5/20/21

13 GA ADJUSTABLE TOP FIXTURE ATTACHED UNDER STRUT WITH (2) CRIMPTITE SCREWS



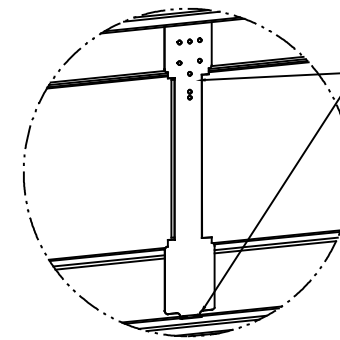
DETAIL A

13 GA ADJUSTABLE TOP FIXTURE ATTACHED THRU STRUT FLANGE INTO END CAP WITH (2) CRIMPTITE SCREWS



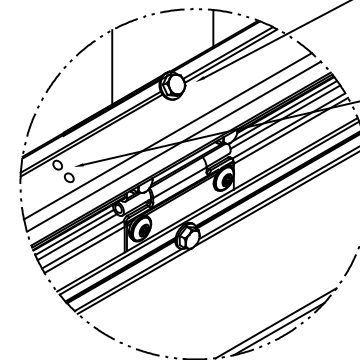
LOW HEADROOM TRACK
DETAIL A

SECURE OPERATOR STILE WITH (4) #8 PIERCING SCREWS INTO INTEGRAL RIBS. (FACTORY INSTALLED) OR (2) CRIMPTITE SCREWS, ONE EACH END OF STILE.



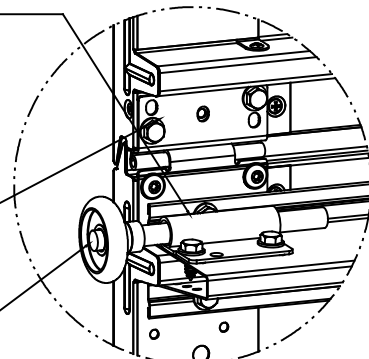
OPERATOR STILE
ATTACHMENT

J-STRUT OVER RIB
ENDS: SECURE WITH (1) CRIMPTITE SCREW THRU J-STRUT FLANGE LEG INTO ENDCAP EACH END.
OPERATOR STILE:
SECURE WITH (1) CRIMPTITE SCREW THROUGH J-STRUT FLANGE INTO OPERATOR STILE.
LENGTH OF STRUT: SECURE WITH (2) #8 PIERCING SCREWS FROM J-STRUT LEG INTO RIB IN PRE-DRILLED HOLES @ 27" ± 4" O.C. (FACTORY INSTALLED)



J-STRUT ATTACHMENT

13 GA ROLLER SLIDE ATTACHED ON TOP OF STRUT WITH (2) CRIMPTITE SCREWS

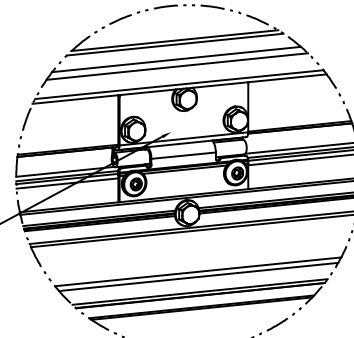


DETAIL B

15 GA HINGE FACTORY ATTACHED WITH (2) CRIMPTITE SCREWS (4 SCREWS TOTAL)

2" NYLON ROLLER, STORMGARD 5" STEM. OPTIONAL - 10/11-BALL BEARING ROLLER

18 GA HINGE FACTORY ATTACHED WITH (4) CRIMPTITE SCREWS (6 SCREWS TOTAL)

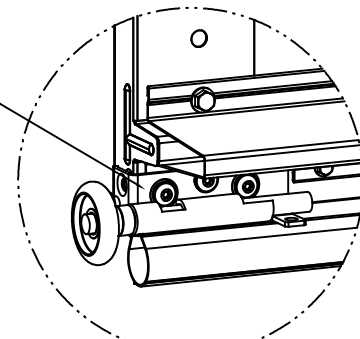


DETAIL C

SECTION QUANTITIES

DOOR WIDTH	CRP/FLUSH				RANCH				SONOMA				SONOMA RANCH				
	STAMPS/SHORT LITES	CTR HNG	OP STILES: SOLID	OP STILES: GLAZED	STAMPS/SHORT LITES	CTR HNG	OP STILES: SOLID	OP STILES: GLAZED	STAMPS/SHORT LITES	LONG LITES	CTR HNG	OP STILES: SOLID	OP STILES: GLAZED	STAMPS/SHORT LITES	CTR HNG	OP STILES: SOLID	OP STILES: GLAZED
17'0"	8	5	1	1	4	5	1	1	8	4	5	1	1	4	5	1	1
18'0"	8	5	1	1	4	5	1	1	8	4	5	1	1	4	5	1	1

12 GA BOTTOM BRACKET FACTORY ATTACHED WITH (3) CRIMPTITE SCREWS TOTAL

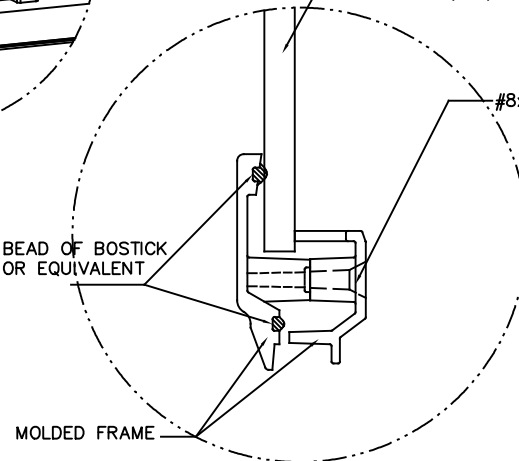


DETAIL D

.090" ANNEALED SSB GLASS (MIN)

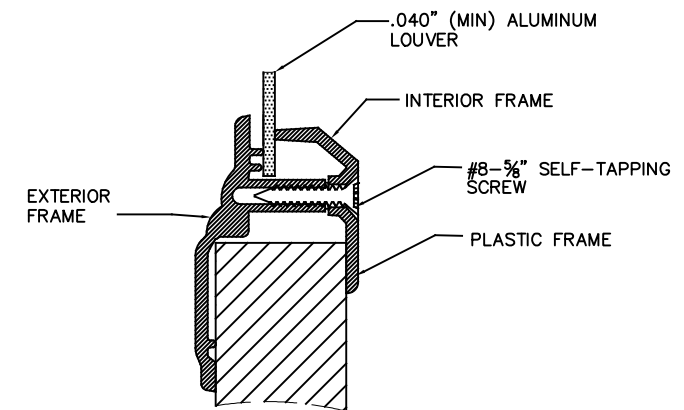
#8x1 SCREWS

1/8" BEAD OF BOSTICK 1100 OR EQUIVALENT



MOLDED FRAME

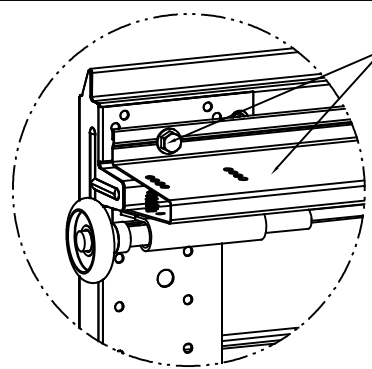
NON-IMPACT PLASTIC FRAME
(STATIC RATED)
DETAIL E



NON-IMPACT LOUVER
(STATIC RATED)
DETAIL F

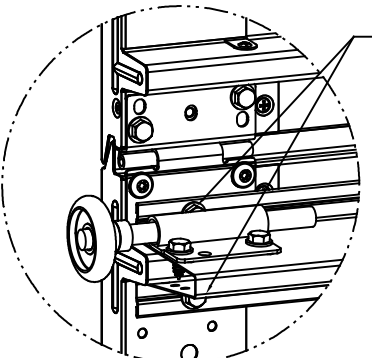
Wayne Dalton
GARAGE DOORS™
A DIVISION OF OVERHEAD DOOR CORP
3395 ADDISON DRIVE
PENSACOLA, FLORIDA 32514
(850) 474-9890

STATIC PRESSURE RATINGS		APPROVED SIZES		SCALE: N.T.S.	SIZE: C
DESIGN (PSF):	+18.4/-20.8	MAX WIDTH:	18'-0"	DATE	NAME
TEST (PSF):	+27.6/-31.2	MAX HEIGHT:	12'-0"	DRAWN	3/31/20
IMPACT/CYCLIC RATED (YES/NO):	NO	MAX SECTION HEIGHT:	24"	CHECKED	5/19/21
MODELS 5120/9100/9405/9605/TS100/TS120				SHEET 2 OF 3	
WINDLOAD SPECIFICATION OPTION CODE 0656				DRAWING PART NO.	REV.
				411642	B



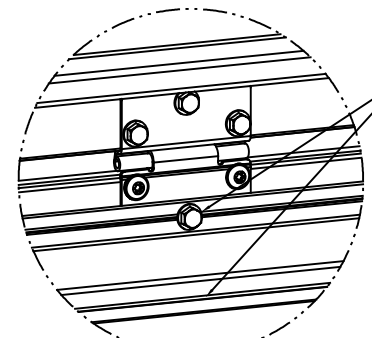
DETAIL A

3" STRUT OVER RIB, TOP FIXTURES
ENDS: SECURE WITH CRIMPTITE SCREWS THROUGH STRUT FLANGES INTO END CAPS AT EACH END:
 (2) FOR STD LIFT TRACK
 (3) FOR LHR TRACK (2 THRU TF BRKT)
 8" APPX. FROM ENDS: SECURE STRUT USING (1) CRIMPTITE SCREW (UPPER).



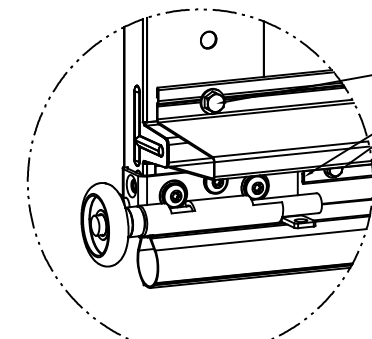
DETAIL B

3" STRUT OVER RIB, JOINTS:
ENDS: SECURE WITH (2) CRIMPTITE SCREWS THROUGH STRUT FLANGES INTO END CAPS AT EACH END. [NOTE: SECURE STRUT PRIOR TO INSTALLING ROLLER SLIDES.]
 8" APPX. FROM ENDS: SECURE STRUT USING (1) CRIMPTITE SCREW (UPPER).
TOP OF BOTTOM SECTION:
 OMIT CRIMPTITE SCREW BEHIND #1 ROLLER SLIDE AT EACH END.



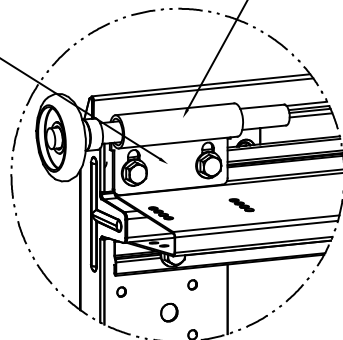
DETAIL C

3" STRUT OVER RIB - BETWEEN ENDS:
CENTER HINGE: SECURE WITH (2) CRIMPTITE SCREWS IN STRUT FLANGES AT EACH CENTER HINGE.
BETWEEN END & FIRST CENTER HINGE, BOTH ENDS: SECURE WITH (2) CRIMPTITE SCREWS, UPPER & LOWER LEGS.



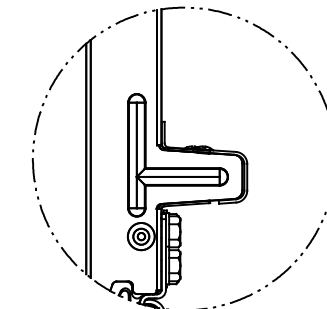
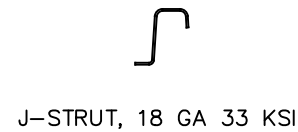
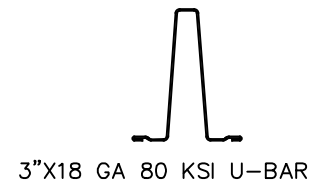
DETAIL D

3" STRUT OVER RIB, BOTTOM BRACKETS:
ENDS: NOTCH STRUT TO CLEAR BOTTOM BRACKET SECURE WITH (2) CRIMPTITE SCREWS IN STRUT FLANGES.



LOW HEADROOM TRACK
 DETAIL A

SECURE THRU ROLLER SLIDES & STRUT FLANGE INTO END CAP & TOP RAIL WITH (2) CRIMPTITE SCREWS.



STRUTS & J-STRUTS INSTALLED OVER INTEGRAL RIBS

(5) SECTION DOORS:
 (6) 3"X18 GA 80 KSI U-BARS
 (4) J-STRUT, 18 GA

(4) SECTION DOORS:
 (5) 3"X18 GA 80 KSI U-BARS
 (3) J-STRUT, 18 GA

(6) SECTION DOORS:
 (7) 3"X18 GA 80 KSI U-BARS
 (5) J-STRUT, 18 GA

J-STRUT

J-STRUT

FASTENER NOTES:

- STRUT SCREW TOTALS 3" U-BAR

TOP SECTION (SL)	=	20
TOP SECTION (LHR)	=	22
INT SECTION	=	20
LOK SECTION	=	20
BOT SECTION (UPPER)	=	18
BOT SECTION (LOWER)	=	18
J-STRUT W/ OP STILE	=	2 + 1/STILE
- "CRIMPTITE SCREW" = SCREW, 1/4-14 X 7/8" SELF-DRILLING, CRIMPTITE
- 1/4-20 SELF-TAPPING SCREWS MAY BE USED IN PLACE OF 1/4-14 SELF-DRILLING SCREWS FOR APPLICATIONS WITH PRE-PUNCHED HOLES OR WHEN PREDRILLING PILOT HOLES.

Wayne Dalton GARAGE DOORS <small>A DIVISION OF OVERHEAD DOOR CORP 3395 ADDISON DRIVE PENSACOLA, FLORIDA 32514 (850) 474-9890</small>	STATIC PRESSURE RATINGS	APPROVED SIZES	SCALE: N.T.S.	SIZE: C
	DESIGN (PSF): +18.4/-20.8	MAX WIDTH: 18'-0"	DATE	NAME
	TEST (PSF): +27.6/-31.2	MAX HEIGHT: 12'-0"	DRAWN 3/31/20	SW
	IMPACT/CYCLIC RATED (YES/NO): NO	MAX SECTION HEIGHT: 24"	CHECKED 5/19/21	TC
MODELS 5120/9100/9405/9605/TS100/TS120			SHEET 3 OF 3	
WINDLOAD SPECIFICATION OPTION CODE 0656			DRAWING PART NO. 411642	REV. B